

CONNECTORS

Connectors

AC Power Connectors

Power Cords, Power Entry Modules, Power Filters, Power Outlets and Inlets

Bulgin.....	1357
Corcom / TE Connectivity.....	1360, 1361
Qualtek Electronics.....	1358, 1359,
.....	1371, 1372, 1373
Schaffner.....	1362
Schurter.....	1363, 1364, 1365,
.....	1366, 1367, 1368, 1369, 1370

DC Power Connectors

Switchcraft.....	1374
------------------	------

Audio / Video Connectors

Audio Connectors, Adapters, Banana, DIN, Phone, Phono, and XLR

Johnson Components / Emerson.....	1375, 1376
Pomona.....	1377
Switchcraft.....	1378, 1379, 1380, 1381

RF Connectors

Amphenol.....	1382, 1383, 1384,
.....	1385, 1386, 1387, 1388, 1389, 1390
Hirose.....	1398, 1399
Johnson Components / Emerson.....	1391,
.....	1392, 1393, 1394
Molex.....	1400
Pomona.....	1401
TE Connectivity.....	1402, 1403, 1404
Trompeter.....	1395, 1396, 1397

Data / Network / Telecom Connectors

Modular, SFP+, DisplayPort, USB, HDMI and Fiber

3M.....	1410
Amphenol.....	1418, 1426, 1427, 1428, 1429
Bulgin.....	1439
CONEC.....	1430, 1431
HARTING.....	1425, 1432, 1433
Hirose Connector.....	1405, 1411, 1412
JAE Electronics.....	1413
Molex.....	1406, 1409, 1414, 1415,
.....	1421, 1422, 1423, 1424, 1434
Phoenix Contact.....	1435
TE Connectivity.....	1407, 1408, 1416, 1419,
.....	1420, 1436, 1437, 1438
Würth Electronics.....	1417

Photovoltaic (Solar)

Amphenol.....	1440
---------------	------

"D" Connectors

D Sub Connectors, Adapters and Hoods

3M.....	1441, 1442
CONEC.....	1443, 1444
NorComp.....	1445, 1446, 1447, 1448, 1449
Phoenix Contact.....	1450
Spectrum ASP.....	1451
TE Connectivity.....	1452, 1453, 1454,
.....	1455, 1456, 1457, 1458

Circular Connectors

Amphenol.....	1459, 1460, 1461, 1462
Bulgin.....	1463, 1464, 1465, 1466
CONXALL.....	1467
Hirose Connector.....	1468, 1469, 1470, 1471
LEMO.....	1472
Molex.....	1473
Phoenix Contact.....	1474, 1475, 1476
Souriau.....	1477, 1478, 1479, 1480, 1481
TE Connectivity.....	1482, 1483,
.....	1484, 1485, 1486

Lighting Connectors

AVX.....	1487, 1488
Hirose Connector.....	1489
TE Connectivity.....	1490, 1491, 1492, 1493

Memory Card Connectors

ALPS.....	1494
AVX.....	1495
Hirose Connector.....	1497
JAE Electronics.....	1496
Molex.....	1498

Backplane / Card Edge

FCI.....	1499, 1500, 1501
HARTING.....	1502, 1503, 1504, 1505
Molex.....	1506
TE Connectivity.....	1507, 1508, 1509

Automotive Connectors

Amphenol.....	1510
FCI.....	1511
JAE Electronics.....	1512
Molex.....	1513
TE Connectivity.....	1514, 1515

Power Connectors

Amphenol.....	1516
---------------	------

Molex.....	1517
TE Connectivity.....	1518

Rectangular Connectors

Headers/Receptacles, Housings, Pin and Socket

3M.....	1519, 1520, 1521, 1522, 1523, 1524
AVX.....	1525
FCI.....	1526, 1527, 1528, 1529, 1530, 1531
Harwin.....	1532, 1533, 1534,
.....	1535, 1536, 1537
Hirose Connector.....	1538, 1539, 1540,
.....	1541, 1542, 1543, 1544, 1545,
.....	1546, 1547, 1548, 1549
JAE Electronics.....	1550, 1551
Molex.....	1552, 1553, 1554, 1555, 1556,
.....	1557, 1558, 1559, 1560, 1561, 1562, 1563,
.....	1564, 1565, 1566, 1567, 1568, 1569, 1570,
.....	1571, 1572, 1573, 1574, 1575, 1576, 1577,
.....	1578, 1579, 1580, 1581, 1582
Omron.....	1583, 1584, 1585
TE Connectivity.....	1586, 1587, 1588, 1589,
.....	1590, 1591, 1592, 1593, 1594, 1595,
.....	1596, 1597, 1598, 1599, 1600, 1601,
.....	1602, 1603, 1604, 1605, 1606, 1607,
.....	1608, 1609, 1610

Sockets

Component and Test Sockets

3M.....	1611
Harwin.....	1612

Terminals

Keystone Electronics.....	1613, 1614,
.....	1615, 1616
Molex.....	1617, 1618
Panduit.....	1619, 1620, 1621
Phoenix Contact.....	1622
TE Connectivity.....	1623, 1624, 1625

Terminal Blocks

Pluggable, Barrier, PCB, and DIN Rail

Molex.....	1626, 1627, 1628
Phoenix Contact.....	1629, 1630, 1631, 1632,
.....	1633, 1634, 1635, 1636, 1637, 1638, 1639,
.....	1640, 1641, 1642, 1643, 1644, 1645, 1646,
.....	1647, 1648, 1649, 1650, 1651, 1652, 1653,
.....	1654, 1655, 1656
TE Connectivity.....	1657

BULGIN Power Inlets and Outlets



IEC 320-1 FUSED POWER INLETS

5x20MM Single Fuse 10A 250VAC

• Room for spare fuse

• Fuses sold Separately



For quantities greater than listed, call for quote.

MOUSER STOCK NO.	Bulgin Part No.	Fig.	Description	Price Each			
				1	25	50	100
161-PF0001/28	PF0001/28	A	Chassis mount 2.8mm solder tab				
161-PF0001/63	PF0001/63	A	Chassis mount 6.3mm faston tab				
161-PF0011/10/28	PF0011/10/28	B	Snap-in fit, 2.8mm solder tabs, 1mm panel thickness				
161-PF0011/15/28	PF0011/15/28	B	Snap-in fit, 2.8mm solder tabs, 1.5mm panel thickness				
161-PF0011/10/63	PF0011/10/63	B	Snap-in fit, 6.3mm faston tabs, 1mm panel thickness				
161-PF0011/15/63	PF0011/15/63	B	Snap-in fit, 6.3mm faston tabs, 1.5mm panel thickness				

Twin Fused 10A 250VAC

For quantities greater than listed, call for quote.

MOUSER STOCK NO.	Bulgin Part No.	Fig.	Description	Price Each			
				1	25	50	100
161-PF0030/28	PF0030/28	C	Chassis mount, 2.8mm solder tabs				
161-PF0030/63	PF0030/63	C	Chassis mount, 6.3mm faston tabs				
161-PF0033/15/28	PF0033/15/28	D	Snap-in fit, 2.8mm solder tabs, 1.5mm panel thickness				
161-PF0033/15/63	PF0033/15/63	D	Snap-in fit, 6.3mm faston tabs, 1.5mm panel thickness				

IEC 320-1 POWER INLETS

15A, 250VAC, UL and CSA



For quantities greater than listed, call for quote.

MOUSER STOCK NO.	Bulgin Part No.	Fig.	Description	Price Each			
				1	25	50	100
161-PX0575/10/28	PX0575/10/28	E	Snap-in fit, 2.8mm solder tabs, 1mm panel thickness				
161-PX0575/15/28	PX0575/15/28	E	Snap-in fit, 2.8mm solder tabs, 1.5mm panel thickness				
161-PX0575/10/63	PX0575/10/63	E	Snap-in fit, 6.3mm faston tabs, 1mm panel thickness				
161-PX0575/15/63	PX0575/15/63	E	Snap-in fit, 6.3mm faston tabs, 1.5mm panel thickness				
161-PX0580/28	PX0580/28	F	Chassis mount, 2.8mm solder tabs				
161-PX0580/63	PX0580/63	F	Chassis mount, 6.3mm faston tabs				
161-PX0580/PC	PX0580/PC	G	PC mount				

IEC 320-1 C20 POWER INLETS

20A, 250VAC, UL and CSA



For quantities greater than listed, call for quote.

MOUSER STOCK NO.	Bulgin Part No.	Fig.	Description	Price Each			
				1	25	50	100
161-PX0596/63	PX0596/63	H	C20 Chassis mount, 6.3mm faston				
161-PX0598/15/63	PX0598/15/63	I	C20 Snap-in fit, 6.3mm faston, 1.5mm panel thickness				

IEC 320-2-2 POWER OUTLETS

15A, 250VAC, UL and CSA



For quantities greater than listed, call for quote.

MOUSER STOCK NO.	Bulgin Part No.	Fig.	Description	Price Each			
				1	25	50	100
161-PX0675/28	PX0675/28	J	Chassis mount, 2.8mm solder tabs				
161-PX0675/63	PX0675/63	J	Chassis mount, 6.3mm faston tabs				
161-PX0675/PC	PX0675/PC	K	PC mount				
161-PX0675/PC/12599	PC0675/PC/12600	K	PC mount with rear cover				

IEC 320-2-2 POWER OUTLETS

15A, 250VAC, UL and CSA



For quantities greater than listed, call for quote.

MOUSER STOCK NO.	Bulgin Part No.	Fig.	Description	Price Each			
				1	25	50	100
161-PX0695/15/28	PX0695/15/28	L	Snap-in fit, 2.8mm solder tabs, 1.5mm panel thickness				
161-PX0695/15/63	PX0695/15/63	L	Snap-in fit, 6.3mm faston tabs, 1.5mm panel thickness				

C14 IEC 320-1 FUSED INLETS

• Fuses sold Separately

Vertical Module Arrangement 10A, 250VAC



For quantities greater than listed, call for quote.

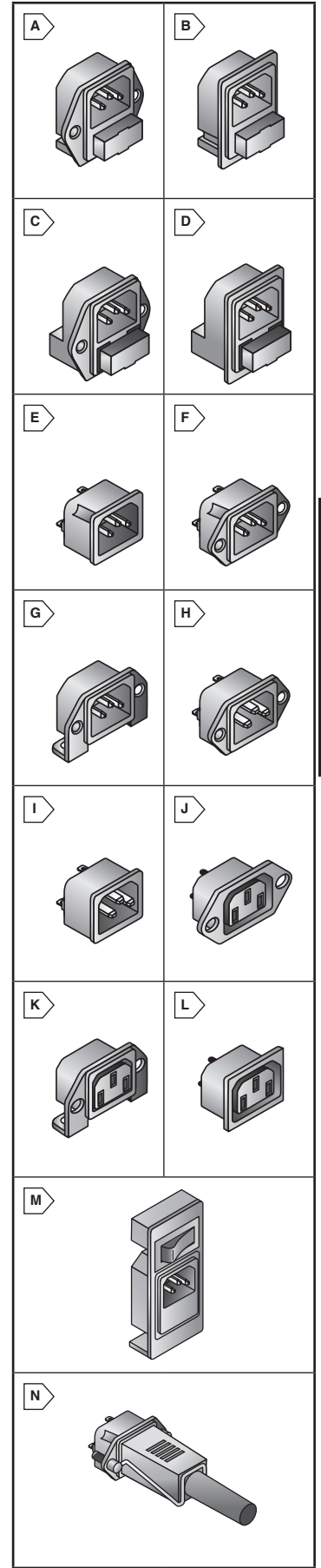
MOUSER STOCK NO.	Bulgin Part No.	Fig.	Description	Price Each			
				1	25	50	100
161-BZV01/Z0000/01	BZV01/Z0000/01	M	Snap-in fit, SP switch, 6.3mm faston tabs				
161-BZV01/Z0000/02	BZV01/Z0000/02	M	Snap-in fit, SP red neon switch, 6.3mm faston tabs				
161-BZV01/Z0000/10	BZV01/Z0000/10	M	Snap-in fit, DP switch, 6.3mm faston tabs				
161-BZV01/Z0000/11	BZV01/Z0000/11	M	Snap-in fit, DP red neon switch, 6.3mm faston tabs				

Retaining Clip Kit

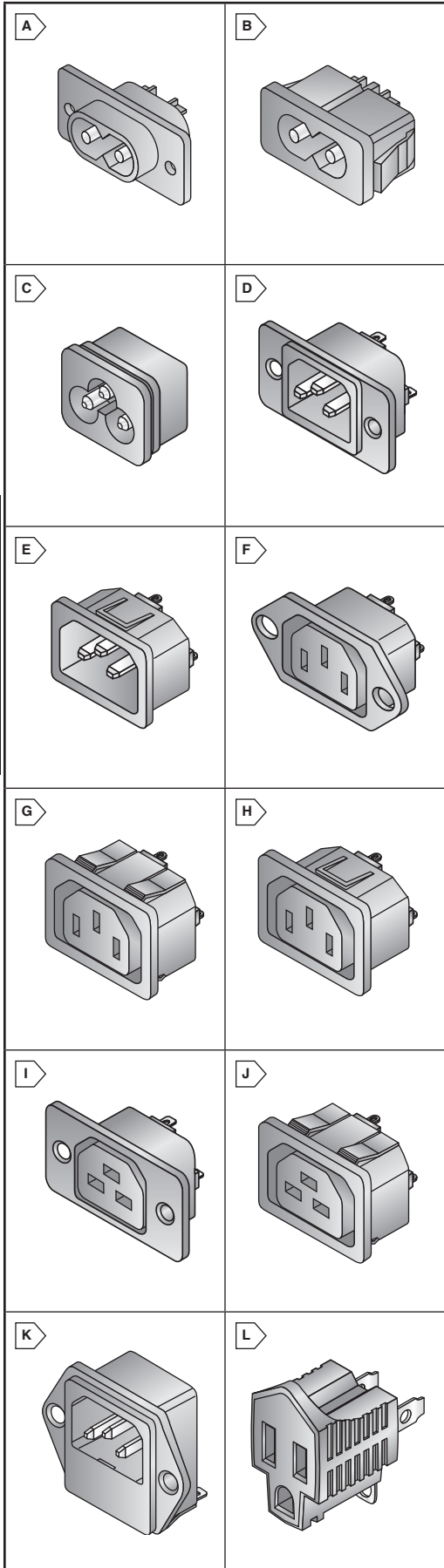


For quantities greater than listed, call for quote.

MOUSER STOCK NO.	Bulgin Part No.	Fig.	Description	Price Each			
				1	25	50	100
161-KT0006	KT0006	N	Fits Bulgin PX0580, PX0590, PX0690, PX0793, & PX0739/1				
161-KT0012	KT0012	N	Fits Bulgin PX0596				



AC Power Connectors
Bulgin



LOW CURRENT INLET IEC 320-C6/C8

Male low current inlet with snap-in and screw mount version.

Features:

- Max Rating: 2.5A/250VAC

* Universal snap-in feature to fit 0.6mm; 1.5mm panel thickness



For quantities greater than listed, call for quote.

MOUSER STOCK NO.	Qualtek Part No.	Fig.	Description	Terminals	Price Each			
					1	10	25	50
562-77001	770W-00/01	A	Screw Mount	Solder Tab				
562-77101	771W-X2/01	B	Snap-in Mount *	Solder Tab				
562-77102	771W-X2/02	B	Snap-in Mount *	PCB Mount				
562-771W-CX2/01	771W-CX2/01	C	Snap-in Mount *	Solder Tab				

AC POWER INLETS IEC 320-C20

Male power outlets include snap-in and screw mount types.

Features:

- Max Rating: UL & CSA 20A/250VAC - VDE 16A/250VAC

† Panel thickness: 1.5mm (1.0, 2.0, 2.5, & 3.0 are also available)



For quantities greater than listed, call for quote.

MOUSER STOCK NO.	Qualtek Part No.	Fig.	Description	Terminals	Price Each			
					1	10	25	50
562-744W-001	744W-00/01	D	Screw Mount	Solder Tab				
562-744W-003	744W-00/03	D	Screw Mount	.187 QD/Solder				
562-744W-00/04	744W-00/04	D	Screw Mount	.250 Q.D.				
562-745W-1505	745W-15/05	E	Snap-in Mount †	Solder Tab				
562-745W-1507	745W-15/07	E	Snap-in Mount †	.187 QD/Solder				
562-745W-1508	745W-15/08	E	Snap-in Mount †	.250 QD/Solder				

AC POWER OUTLETS IEC 320-C13

Female power outlets available in screw or snap-in mounting.

Features:

- Max Rating: UL & CSA 15A/250VAC - VDE 10A/250VAC

** Universal snap-in feature to fit 0.8mm; 2.0mm panel thickness

† Panel thickness: 1.5mm (1.0, 2.0, 2.5, & 3.0 are also available)



For quantities greater than listed, call for quote.

MOUSER STOCK NO.	Qualtek Part No.	Fig.	Description	Terminals	Price Each			
					1	10	25	50
562-710W-00/01	710W-00/01	F	Screw Mount	Solder Tab				
562-710W-00/02	710W-00/02	F	Screw Mount	.187 QD/Solder				
562-710W-00/03	710W-00/03	F	Screw Mount	.250 Q.D.				
562-716W-X2/02	716W-X2/02	G	Snap-in Mount **	.187 QD/Solder				
562-716W-X2/03	716W-X2/03	G	Snap-in Mount **	.250 Q.D.				
562-716W-1505	716W-15/05	H	Snap-in Mount †	Solder Tab				
562-716W-1510	716W-15/10	H	Snap-in Mount †	.187 QD/Solder				
562-716W-15/15	716W-15/15	H	Snap-in Mount †	.250 Q.D.				

LOW CURRENT OUTLET IEC 320-C19

Female power outlets available in screw or snap-in mounting.

Features:

- Max Rating: UL & CSA 20A/250VAC - VDE 16A/250VAC

† Panel thickness: 1.5mm (1.0, 2.0, 2.5, & 3.0 are also available)



For quantities greater than listed, call for quote.

MOUSER STOCK NO.	Qualtek Part No.	Fig.	Description	Terminals	Price Each			
					1	10	25	50
562-743W-00/02	743W-00/02	I	Screw Mount	.187 QD/Solder				
562-743W-00/03	743W-00/03	I	Screw Mount	.250 Q.D.				
562-746W-1508	746W-15/08	J	Snap-in Mount †	.250 Q.D.				

INLET WITH VOLTAGE SELECTOR & FUSEHOLDER IEC 320-C14

Male power inlet with fuseholder and voltage selector switch. (Accepts 5 x 20mm fuse)

Features:

- Voltage selector switch adapts to 110V or 240V.



For quantities greater than listed, call for quote.

MOUSER STOCK NO.	Qualtek Part No.	Fig.	Description	Terminals	Price Each			
					1	10	25	50
562-755-00/28	755-00/28	K	Screw Mount	Solder Tab				

AC ADAPTER

Features:

- NEMA 5-15R



For quantities greater than listed, call for quote.

MOUSER STOCK NO.	Qualtek Part No.	Fig.	Description	Price Each			
				1	10	25	50
562-738W-E-01	738W-E-01	L	3 Prong / 2 Prong - Wall Plug				

QUALTEK AC Power Receptacles

AC POWER INLETS IEC 320 - C14

Male low current inlet with snap-in and screw mount version.

• Max. Rating: UL & CSA 15A/250VAC - VDE 10A/250VAC

* Universal snap-in feature to fit .08mm - 2.0mm panel thickness.
 **: Panel thickness 1.5mm

† Do not have countersunk holes
 †† Have countersunk holes



For quantities greater than listed, call for quote.

MOUSER STOCK NO.	Qualtek Part No.	Fig.	Description	Terminals	Price Each			
					1	10	25	50
* 562-701W-X2/02	701W-X2/02	A	Snap-In Mount	Solder Tab				
* 562-701W-X2/03	701W-X2/03	A	Snap-In Mount	.187 Q.D./Solder				
* 562-701W-X2/04	701W-X2/04	A	Snap-In Mount	.250 Q.D.				
** 562-701W-15/21	701W-15/21	B	Snap-In Mount	Solder Tab				
** 562-701W-15/26	701W-15/26	B	Snap-In Mount	.187 Q.D./Solder				
** 562-701W-15/31	701W-15/31	B	Snap-In Mount	.250 Q.D.				
† 562-703W-00/02	703W-00/02	C	Screw Mount	Solder Tab				
† 562-703W-00/03	703W-00/03	C	Screw Mount	.187 Q.D./Solder				
† 562-703W-00/04	703W-00/04	C	Screw Mount	.250 Q.D.				
†† 562-703W-00/06	703W-00/06	C	Screw Mount	Solder Tab				
†† 562-703W-00/07	703W-00/07	C	Screw Mount	.187 Q.D./Solder				
†† 562-703W-00/08	703W-00/08	C	Screw Mount	.250 Q.D.				

ANGLED INLET PCB MOUNT IEC 320 - C14

Male right angled PCB mount power inlet with 40mm mounting centers.

• Max. Rating: UL & CSA 15A/250VAC - VDE 10A/250VAC



For quantities greater than listed, call for quote.

MOUSER STOCK NO.	Qualtek Part No.	Fig.	Description	Terminals	Price Each			
					1	10	25	50
562-703W-00/52	703W-00/52	D	PCB Mount - Round Pins	7mm				
562-703W-00/53	703W-00/53	E	PCB Mount - Flat Pins	7mm				
562-703W-00/54	703W-00/54	F	PCB Mount - Flat Pins	9mm				

POWER INLET WITH FUSEHOLDER IEC 320 - C14

Male power inlets with a fuseholder for single fuse.

• Max. Rating: UL & CSA 10A/250VAC - VDE 10A/250VAC



For quantities greater than listed, call for quote.

MOUSER STOCK NO.	Qualtek Part No.	Fig.	Description	Terminals	Price Each			
					1	10	25	50
562-719W-00/02	719W-00/02	G	Screw Mount	Solder Tab				
562-719W-00/03	719W-00/03	G	Screw Mount	.187 Q.D./Solder				
562-719W-00/04	719W-00/04	G	Screw Mount	.250 Q.D.				
562-723W-X2/02	723W-X2/02	H	Snap-In Mount	Solder Tab				
562-723W-X2/03	723W-X2/03	H	Snap-In Mount	.187 Q.D./Solder				
562-723W-X2/04	723W-X2/04	H	Snap-In Mount	.250 Q.D.				

NEMA 1-15R, 5-15R, 5-20R POWER OUTLET

Snap-in outlets with quick disconnect and IDC terminals.

* Recommended for use with 12 or 14 AWG wire
 **: Recommended for use with 16 or 18 AWG wire

◆ RoHS, CSA and UR approvals only



For quantities greater than listed, call for quote.

MOUSER STOCK NO.	Qualtek Part No.	Fig.	Description	Nema Type	Terminals	Max. Rating	Price Each			
							1	10	25	50
◆ 562-738W-CX2-01	738W-CX2/01	I	Snap-In Mount	1-15R	Q.D./Solder	15A/125VAC				
◆ 562-738W-X2/03	738W-X2/03	J	Snap-In Mount	5-15R	Q.D./Solder	15A/125VAC				
* 562-739W-X2/03	739W-X2/03	K	Snap-In Mount	5-15R	IDC	15A/125VAC				
** 562-739W-X2/04	739W-X2/04	K	Snap-In Mount	5-15R	IDC	10A/125VAC				
562-739W-X2/20	739W-X2/20	L	Snap-In Mount	1-15R	IDC	20A/125VAC				

AC POWER PLUG ASSEMBLIES

Male and female rewirable plug connectors with straight and 90° angle cable entry. Easily converts a power cord into a detachable power cordset.

• Max. Rating: UL, CSA, VDE 10A/250VAC



For quantities greater than listed, call for quote.

MOUSER STOCK NO.	Qualtek Part No.	Fig.	Description	Terminals	Price Each			
					1	10	25	50
562-704-00/00	704-00/00	M	Straight Entry	Screw				
562-705-00/00	705-00/00	N	Angled Entry	Screw				
562-712-00/00	712-00/00	O	Straight Entry	Screw				
562-709-00/00	709-00/00	P	Straight Entry	Screw				

MULTI-FUNCTION MODULES IEC 320 - C14

Both snap-in and screw mount incorporates an IEC male power inlet, fuseholder and optional voltage selector and power switch.

• Max. Rating: UL & CSA 6A/250VAC; VDE 10A/250VAC

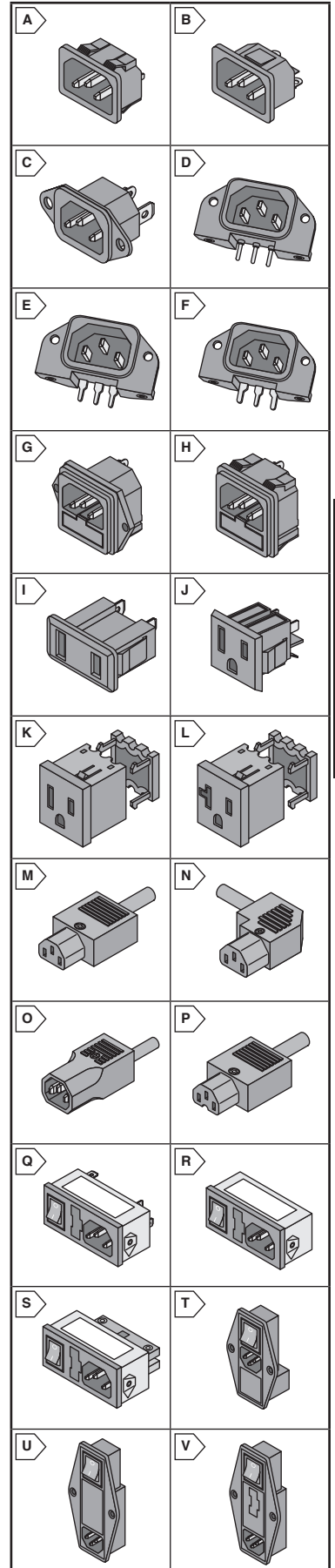
* Panel Thickness: 1.0-1.8mm

** Fuseholder for 5 x 20 (EURO) or 6.3 x 32mm (North American Type)



For quantities greater than listed, call for quote.

MOUSER STOCK NO.	Qualtek Part No.	Fig.	Description	Housing	Terminals	Fuseholder Switch	Power Selector	Volt.	Price Each			
									1	10	25	50
* 562-761-18/003	761-18/003	Q	Snap-In Mnt	Plastic	Solder Tab	Single 5x20	SPST	-				
* 562-761-18/004	761-18/004	Q	Snap-In Mnt	Plastic	Solder Tab	Single 5x20	DPST	-				
* 562-762-18/002	762-18/002	R	Snap-In Mnt	Metal	.250 Q.D.	Single 5x20	SPST	-				
* 562-762-18/3	762-18/003	R	Snap-In Mnt	Metal	.250 Q.D.	Single 5x20	DPST	-				
* 562-762-18/004	762-18/004	S	Snap-In Mnt	Metal	.250 Q.D.	Single 5x20	SPST	Rear				
* 562-762-18/005	762-18/005	S	Snap-In Mnt	Metal	.250 Q.D.	Single 5x20	DPST	Rear				
** 562-763-00/001	763-00/001	T	Screw Mount	Plastic	Solder Tab	Double ††	DPST	Front				
562-764-00/002	764-00/002	U	Screw Mount	Plastic	Solder Tab	Double 5x20	DPST	-				
562-764-00/003	764-00/003	V	Screw Mount	Plastic	Solder Tab	Double 5x20	DPST	Front				



AC Power Connectors Qualtek

CORCOM Power Entry Modules



This product is RoHS compliant.



TE Connectivity AC Power Connectors

P SERIES ADAPTABLE POWER ENTRY MODULES

- IEC power line connector
- Both North American and European fusing capabilities
- Optional DPST on/off switch
- Snap in mounting ears, horizontal or vertical



• 5 x 20mm fuse not included

For quantities greater than listed, call for quote.

MOUSER STOCK NO.		Fig.	Amps	Filtered	Fused	Switch Function	Voltage Rating	Price Each			
Mfr.	Mfr. Part No.							1	10	25	50
Mounting Ears - Vertical - High Performance/Shield Options: Complete Can											
	592—PM0S0DZ6C	A	6	Yes	Dual	DPST	120, 250 VAC				
	592—PM0S0SZ6C	A	6	Yes	Single	DPST	120, 250 VAC				
	592—PM0S0DZXC	A	10	Yes	Dual	DPST	120, 250 VAC				
	592—PM0S0SZXC	A	10	Yes	Single	DPST	120, 250 VAC				
Medical - Mounting Ears - Vertical - High Performance/Shield Options: Complete Can											
	592—PM0S0DL6C	A	6	Yes	Dual	DPST	120, 250 VAC				
	592—PM0S0SL6C	A	6	Yes	Single	DPST	120, 250 VAC				
	592—PM0S0DLXC	A	10	Yes	Dual	DPST	120, 250 VAC				
	592—PM0S0SLXC	A	10	Yes	Single	DPST	120, 250 VAC				
Mounting Ears - Horizontal											
	592—PE0S0SS30	B	3	Yes	Single	DPST	120, 250 VAC				
	592—PE0S0SS6A	B	6	Yes	Single	DPST	120, 250 VAC				
	592—PE0SSSX0	B	10	Yes	Single	DPST	120, 250 VAC				
	592—PE0S0DSXB	B	10	Yes	Dual	DPST	120, 250 VAC				
	592—PE0S0SZXC	B	10	Yes	Single	DPST	120, 250 VAC				
	592—PE0SXSSX0	B	10	Yes	Single	DPST	120, 250 VAC				
Medical - Mounting Ears - Horizontal											
	592—PE0SXSH3B	B	3	Yes	Single	DPST	120, 250 VAC				
	592—PE0S0SHXB	B	10	Yes	Single	DPST	120, 250 VAC				
Snap-In											
	592—PS0SXSS30	C	3	Yes	Single	DPST	120, 250 VAC				
	592—PS0SXSS60	C	6	Yes	Single	DPST	120, 250 VAC				
	592—PS0S0SS60	C	6	Yes	Single	DPST	120, 250 VAC				
	592—PS0SXDS6B	C	6	Yes	Dual	DPST	120, 250 VAC				
	592—PS000SSXB	C	10	Yes	Single	None	120, 250 VAC				
	592—PS00XD000	C	10	No	Dual	None	120, 250 VAC				
	592—PS0S0S000	C	10	No	Single	DPST	120, 250 VAC				
	592—PS0S0SBX0	C	10	Yes	Single	DPST	120, 250 VAC				
	592—PS0S0DBX0	C	10	Yes	Dual	DPST	120, 250 VAC				
	592—PS0S0DSXB	C	10	Yes	Dual	DPST	120, 250 VAC				
	592—PS0S0SSXB	C	10	Yes	Single	DPST	120, 250 VAC				
	592—PS0SX0000	C	10	No	Dual	DPST	120, 250 VAC				
	592—PS0SX0000	C	10	No	Single	DPST	120, 250 VAC				
Medium Performance - Mounting Ears - Horizontal											
	592—PE000SM3E	D	3	Yes	Single	None	120V, 250V				
	592—PE000DM6E	D	6	Yes	Dual	None	120V, 250V				
	592—PE0S0DM6E	D	6	Yes	Dual	DPST	120V, 250V				
	592—PE0S0SMXE	D	10	Yes	Single	DPST	120V, 250V				
Medium Performance - Snap In											
	592—PS0S0SM3E	E	3	Yes	Single	DPST	120V, 250V				
	592—PS000SM6E	E	6	Yes	Single	None	120V, 250V				
	592—PS0S0DM6E	E	6	Yes	Dual	DPST	120V, 250V				
	592—PS000DMXE	E	10	Yes	Dual	None	120V, 250V				

J SERIES - VOLTAGE SELECTING AND FUSED CONNECTOR

6 Amps; 120 - 250 Volts AC; 50-60 Hz

• 5 x 20mm fuse not included

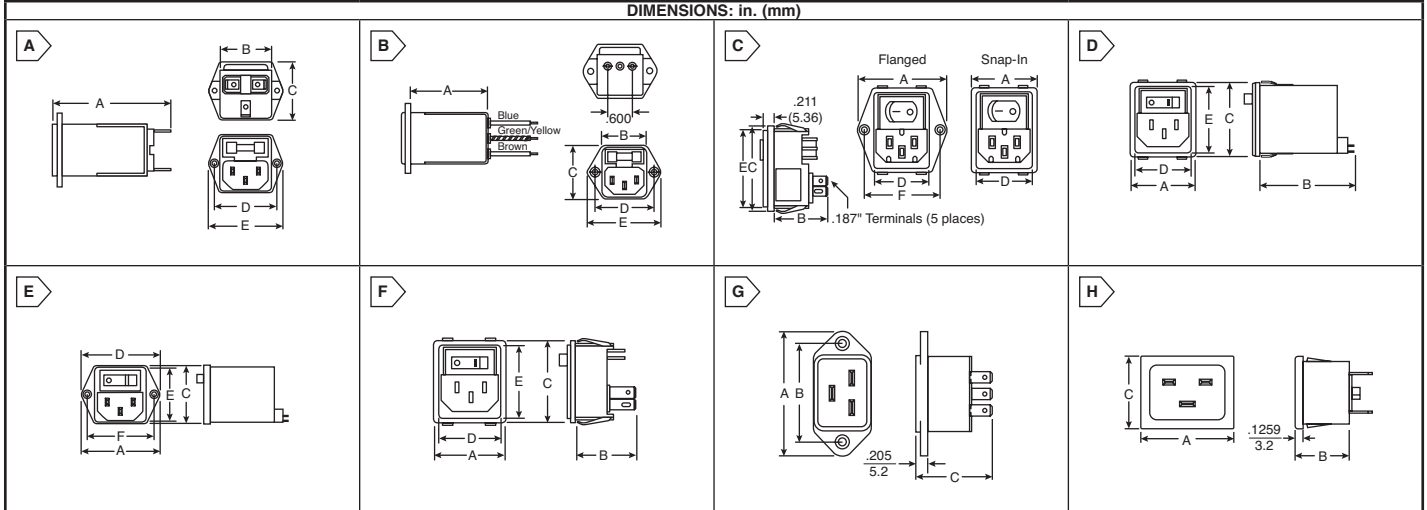
For quantities greater than listed, call for quote.

MOUSER STOCK NO.		Fig.	Amps	Filtered	Filter Type	Voltage Selection	Price Each			
Mfr.	Mfr. Part No.						1	10	25	50
	592—6VJ1	F	6	No	-	4				
	592—6VJ4	F	6	Yes	General Purpose	4				

CORCOM Power Entry Modules

RoHS Compliant This product is RoHS compliant.

DIMENSIONS: in. (mm)



POWER-ENTRY MODULES WITH METRIC FUSE HOLDERS (GG SERIES)

* 5 x 20mm fuse not included

For quantities greater than listed, call for quote.

MOUSER STOCK NO.		Fig.	Amps	No. of Fuse Holders	Dimensions: in. (mm)					Price Each			
Mfr.	Mfr. Part No.				A	B	C	D	E	1	10	25	50
592-1EGG1-2		A	1	2	1.66 (51.10)	1.13 (28.70)	1.29 (32.77)	1.41 (33.30)	1.76 (44.70)				
592-6EGG1-1		A	6	1	1.66 (51.10)	1.13 (28.70)	1.29 (32.77)	1.41 (33.30)	1.76 (44.70)				
592-6EGG1-2		A	6	2	1.66 (51.10)	1.13 (28.70)	1.29 (32.77)	1.41 (33.30)	1.76 (44.70)				
592-6EGG8-2		B	6	2	2.02 (51.10)	1.13 (28.70)	1.29 (32.80)	1.42 (36.00)	1.76 (44.70)				
592-10EGG1-2		A	10	2	2.15 (54.61)	1.13 (28.70)	1.29 (32.76)	1.42 (36.06)	1.76 (44.70)				

C SERIES - POWER ENTRY MODULE WITH IEC CONNECTOR

*Pre-Connected Terminals

For quantities greater than listed, call for quote.

MOUSER STOCK NO.		Fig.	Amps	Mount Type	Filtered	Dimensions: in. (mm)						Price Each			
Mfr.	Mfr. Part No.					A (Max.)	B (Max.)	C (Max.)	D	E	F	1	10	25	50
592-3CFE1		C	3	Flange	Yes	1.74 (44.20)	2.53 (64.26)	1.62 (41.17)	1.12 (28.50)	1.54 (39.12)	1.42 (36.00)				
592-3CFS1		C	3	Snap-in	Yes	1.23 (31.24)	2.53 (64.26)	1.62 (41.17)	1.12 (28.50)	1.54 (39.12)	---				
592-6CFF1		C	6	Flange	Yes	1.74 (44.20)	2.53 (64.26)	1.62 (41.17)	1.12 (28.50)	1.54 (39.12)	1.42 (36.00)				
592-6CFS1		C	6	Snap-in	Yes	1.23 (31.24)	2.53 (64.26)	1.62 (41.17)	1.12 (28.50)	1.54 (39.12)	---				
592-10CE1		C	10	Flange	No	1.74 (44.20)	0.97 (24.64)	1.62 (41.17)	1.06 (26.92)	1.54 (39.12)	1.42 (36.00)				
592-10CFE1		C	10	Flange	Yes	1.74 (44.20)	2.53 (64.26)	1.62 (41.17)	1.12 (28.50)	1.54 (39.12)	1.42 (36.00)				
592-10CFS1		C	10	Snap-in	Yes	1.23 (31.24)	2.53 (64.26)	1.62 (41.17)	1.12 (28.50)	1.54 (39.12)	---				
592-10CS1		C	10	Snap-in	No	1.23 (31.24)	0.97 (24.64)	1.62 (41.17)	1.06 (26.92)	1.54 (39.12)	---				
592-15CBS1		C	15	Snap-in	No	1.23 (31.24)	0.97 (24.64)	1.62 (41.17)	1.06 (26.92)	1.54 (39.12)	---				
* 592-15CE1		C	15	Flange	No	1.74 (44.20)	0.97 (24.64)	1.62 (41.17)	1.06 (26.92)	1.54 (39.12)	1.42 (36.00)				
592-15CBE1		C	15	Flange	No	1.74 (44.20)	0.97 (24.64)	1.62 (41.17)	1.06 (26.92)	1.54 (39.12)	1.42 (36.00)				

CU SERIES

Specifications:

- Filling the need for smaller versions of Corcom's Switched inlet filters.
- Compact 1U height (1 3/4")
- Provides complete shielding, shrouded quick connect terminals and basic filtering for 1A-15A applications

* Pre-Connected Terminals

For quantities greater than listed, call for quote.

MOUSER STOCK NO.		Fig.	Amps	Mount Type	Filtered	Dimensions: in. (mm)						Price Each			
Mfr.	Mfr. Part No.					A (Max.)	B (Max.)	C (Max.)	D	E	F	1	10	25	50
592-1CUFS1		D	1	Snap-In	Yes	1.20 (30.60)	1.80 (45.00)	1.34 (34.10)	1.11 (28.10)	1.26 (32.00)	---				
592-3CUFS1		D	3	Snap-In	Yes	1.20 (30.60)	1.80 (45.00)	1.34 (34.10)	1.11 (28.10)	1.26 (32.00)	---				
592-3CUFF1		E	3	Flange	Yes	1.70 (43.10)	1.80 (45.00)	1.34 (34.10)	1.21 (30.80)	1.35 (34.30)	1.45 (36.80)				
592-3CUFE1		E	3	Flange	Yes	1.73 (43.90)	1.75 (44.50)	1.34 (34.10)	1.11 (28.10)	1.26 (31.90)	1.45 (36.80)				
592-6CUFS1		D	6	Snap-In	Yes	1.20 (30.60)	1.80 (45.00)	1.34 (34.10)	1.11 (28.10)	1.26 (32.00)	---				
592-6CUFF1		E	6	Flange	Yes	1.70 (43.10)	1.80 (45.00)	1.34 (34.10)	1.21 (30.80)	1.35 (34.30)	1.45 (36.80)				
592-6CUFE1		E	6	Flange	Yes	1.73 (43.90)	1.75 (44.50)	1.34 (34.10)	1.11 (28.10)	1.26 (31.90)	1.45 (36.80)				
592-10CUFS1		D	10	Snap-In	Yes	1.20 (30.60)	1.80 (45.00)	1.34 (34.10)	1.11 (28.10)	1.26 (32.00)	---				
592-10CUFF1		E	10	Flange	Yes	1.70 (43.10)	1.80 (45.00)	1.34 (34.10)	1.21 (30.80)	1.35 (34.30)	1.45 (36.80)				
592-10CUFE1		E	10	Flange	Yes	1.73 (43.90)	1.75 (44.50)	1.34 (34.10)	1.11 (28.10)	1.26 (31.90)	1.45 (36.80)				
592-15CUFF1		E	15	Flange	Yes	1.70 (43.10)	1.80 (45.00)	1.34 (34.10)	1.21 (30.80)	1.35 (34.30)	1.45 (36.80)				
592-15CUFE1		E	15	Flange	Yes	1.73 (43.90)	1.75 (44.50)	1.34 (34.10)	1.11 (28.10)	1.26 (31.90)	1.45 (36.80)				
592-15CUE1		F	15	Snap-In	No	1.73 (43.90)	0.96 (24.60)	1.34 (34.10)	1.06 (26.90)	1.09 (27.60)	---				
592-15CUBS1		D	15	Snap-In	No	1.20 (30.60)	0.97 (24.60)	1.34 (34.10)	1.04 (26.40)	1.26 (32.00)	---				
* 592-15CUBE1		E	15	Flange	No	1.73 (43.90)	0.96 (24.60)	1.34 (34.10)	1.06 (26.90)	1.09 (27.60)	1.45 (36.80)				
592-15CU1S1		F	15	Snap-In	No	1.20 (30.60)	0.97 (24.60)	1.34 (34.10)	1.05 (26.70)	1.24 (31.60)	---				
592-15CU10S1		F	15	Snap-In	No	1.20 (30.60)	0.97 (24.60)	1.34 (34.10)	1.05 (26.70)	1.24 (31.60)	---				

SR SERIES 20A POWER INLET CONNECTORS

20 Amps; 120 - 250 Volts AC



For quantities greater than listed, call for quote.

MOUSER STOCK NO.		Fig.	Amps	Mount Type	Dimensions: in. (mm)			Price Each					
Mfr.	Mfr. Part No.				A (Max.)	B (Max.)	C (Max.)	1	10	25	50		
592-20ESRM-3		G	20	Flange	2.087 (53.00)	1.653 (42.00)	.999 (25.40)						
592-20ESRMC2		H	20	Snap-In	1.377 (35.00)	.921 (23.40)	1.06 (27.00)						

SCHAFFNER Power Entry Modules



GENERAL PURPOSE POWER ENTRY MODULES WITH FUSES

Specifications:

- Up to 6A current ratings
- IEC 950-compliant
- One or two fuses (5 x 20mm)
- Lightweight construction
- General-purpose application
- Optional medical version (B type)
- Fuse sold separately



EN 13320
IEC60939

For quantities greater than listed, call for quote.

MOUSER STOCK NO.	Schaffner Part No.	Fig.	Amps	L (mH)	Capacitance (nF)		Resistance R k(Ω)	Dimensions: mm			Price Each					
					Cx	Cy		A	B	D	1	25	50	100	250	
Dual Fuse																
631-FN9260-2/06	FN9260-2-06	A	2	2.7	0.1	2.2	1000	46	35	41						
631-FN9260-4/06	FN9260-4-06	A	4	1.0	0.1	2.2	1000	46	35	41						
631-FN9260-6/06	FN9260-6-06	A	6	0.3	0.1	2.2	1000	46	35	41						
631-FN9260B-2/06	FN9260B-2-06	A	2	2.7	0.1	-	1000	46	35	41						
631-FN9260B-4/06	FN9260B-4-06	A	4	1.0	0.1	-	1000	46	35	41						
631-FN9260B-6/06	FN9260B-6-06	A	6	0.3	0.1	-	1000	46	35	41						
Single Fuse																
631-FN261-4-06	FN261-4-06	A	4	1.0	0.1	2.2	1000	46	35	41						
631-FN261-6-06	FN261-6-06	A	6	0.3	0.1	2.2	1000	46	35	41						

FUSED INLETS

Specifications:

- Up to 6A current ratings
- IEC 950-compliant (twin fuse configurations only)
- One or two fuses (5 x 20 or 6.3 x 32mm)
- Easy-access fuse compartment
- Voltage selector
- Snap-in or flange-mount versions
- General-purpose application
- Fuse sold separately



EN 13320
IEC60939

For quantities greater than listed, call for quote.

MOUSER STOCK NO.	Schaffner Part No.	Fig.	Amps	L (mH)	Capacitance (nF)		Resistance R k(Ω)	Dimensions: mm			Price Each				
					Cx	Cy		A	B	D	1	25	50	100	250
631-FN372-2/22	FN372-2-22	B	2	0.70	47	2.2	---	32	58	54					
631-FN372-6/22	FN372-6-22	B	6	0.18	47	2.2	---	32	58	54					
631-FN382-4/22	FN382-4-22	C	4	0.30	47	2.2	---	32	58	51					
631-FN388-6/22	FN388-6-22	C	6	0.18	47	2.2	---	50	58	51					
631-FN389B-6/22	FN389B-6-22	C	6	0.50	47	---	1000	50	58	61					

GENERAL PERFORMANCE IEC INLET FILTERS

Specifications:

- Up to 20A current ratings
- Standard housing with mounting flanges
- IEC 950-Compliant
- Bleed resistor



EN 13320
IEC60939

For quantities greater than listed, call for quote.

MOUSER STOCK NO.	Schaffner Part No.	Fig.	Amps	L (mH)	Capacitance (nF)		Resistance R k(Ω)	Dimensions: mm			Price Each				
					Cx	Cy		A	B	D	1	25	50	100	250
631-FN9222R-1/06	FN9222R-1-06	D	15	1.21	0.3	2.2	1000	48	22.5	38.4					
631-FN9222R-3/06	FN9222R-3-06	D	3	2.50	0.1	2.2	1000	48	22.5	38.4					
631-FN9222R-6/06	FN9222R-6-06	D	6	0.78	0.1	2.2	1000	48	22.5	38.4					
631-FN9222R-10/06	FN9222R-10-06	D	10	0.225	0.1	2.2	1000	48	22.5	38.4					
631-FN9222R-12/06	FN9222R-12-06	D	12	0.11	0.1	2.2	1000	48	22.5	38.4					
631-FN9222R-15/06	FN9222R-15-06	D	15	0.075	0.1	2.2	1000	48	22.5	38.4					
631-FN9222R-16/06	FN9222R-16-06	E	16	0.54	0.33	2.2	1000	53	30	66					
631-FN9222R-20/06	FN9222R-20-06	E	20	0.40	0.33	2.2	1000	53	30	66					

MEDICAL HIGH PERFORMANCE MODULES

Specifications:

- Up to 20A current ratings
- Medical version (with bleed resistor and without Y2-capacitor)
- IEC 950-Compliant



EN 13320
IEC60939

For quantities greater than listed, call for quote.

MOUSER STOCK NO.	Schaffner Part No.	Fig.	Amps	L (mH)	Capacitance (nF)		Resistance R k(Ω)	Dimensions: mm			Price Each				
					Cx	Cy		A	B	D	1	25	50	100	250
631-FN9222B-3/06	FN9222B-3-06	D	3	2.50	0.1	--	1000	48	22.5	38.4					
631-FN9222B-6/06	FN9222B-6-06	D	6	0.78	0.1	--	1000	48	22.5	38.4					
631-FN9222B-10/06	FN9222B-10-06	D	10	0.225	0.1	--	1000	48	22.5	38.4					

COMPACT FILTERED POWER ENTRY MODULES

Specifications:

- Current rating from 1 to 10A
- General-purpose application
- Flange mounting version left/right, single fuse
- Fuse sold separately



EN 13320
IEC60939

For quantities greater than listed, call for quote.

MOUSER STOCK NO.	Schaffner Part No.	Fig.	Amps	L (mH)	Capacitance (nF)		Resistance R k(Ω)	Dimensions: mm			Price Each				
					Cx	Cy		A	B	D	1	25	50	100	250
631-FN9264-1-06	FN9264-1-06	F	1	5.15	0.1	2.2	1000	46	35	45.95					
631-FN9264-2-06	FN9264-2-06	F	2	2.7	0.1	2.2	1000	46	35	45.95					
631-FN9264-4-06	FN9264-4-06	F	4	1.0	0.1	2.2	1000	46	35	45.95					
631-FN9264-6-06	FN9264-6-06	F	6	0.3	0.1	2.2	1000	46	35	45.95					
631-FN9264-10-06	FN9264-10-06	F	10	0.21	0.1	2.2	1000	46	35	45.95					

Medical

631-FN9264B-1-06	FN9264B-1-06	F	1	5.15	0.1	2.2	1000	46	35	45.95					
631-FN9264B-2-06	FN9264B-2-06	F	2	2.7	0.1	2.2	1000	46	35	45.95					
631-FN9264B-4-06	FN9264B-4-06	F	4	1.0	0.1	2.2	1000	46	35	45.95					
631-FN9264B-6-06	FN9264B-6-06	F	6	0.3	0.1	2.2	1000	46	35	45.95					
631-FN9264B-10-06	FN9264B-10-06	F	10	0.21	0.1	2.2	1000	46	35	45.95					

Single Fuse

631-FN283-1/06	FN283-1-06	G	1	7.5	220	2.2	1000	50	65	43.1					
631-FN283-2/06	FN283-2-06	G	2	2.0	220	2.2	1000	50	65	43.1					
631-FN283-4/06	FN283-4-06	G	4	1.0	220	2.2	1000	50	65	43.1					
631-FN283-6/06	FN283-6-06	G	6	0.45	220	2.2	1000	50	65	43.1					

Dual Fuse

631-FN284-1-06	FN284-1-06	G	1	7.5	220	2.2	1000	50	65	43.1					
631-FN284-2-06	FN284-2-06	G	2	2.0	220	2.2	1000	50	65	43.1					
631-FN284-4-06	FN284-4-06	G	4	1.0	220	2.2	1000	50	65	43.1					
631-FN284-6/06	FN284-6-06	G	6	0.45	220	2.2	1000	50	65	43.1					
631-FN284-10/06	FN284-10-06	G	10	0.34	220	2.2	1000	50	65	43.1					
631-FN284B-4-06	FN284B-4-06	G	4	1.0	220	-	1000	50	65	43.1					
631-FN286-2-06	FN286-2-06	G	2	2.0	220	2.2	1000	32	65	43.6					
631-FN286-4-06	FN286-4-06	G	4	1.0	220	2.2	1000	32	65	43.6					
631-FN286-6/06	FN286-6-06	G	6	0.45	220	2.2	1000	32	65	43.6					

IL 13 IEC INLET LOCKING SYSTEM POWER CORD

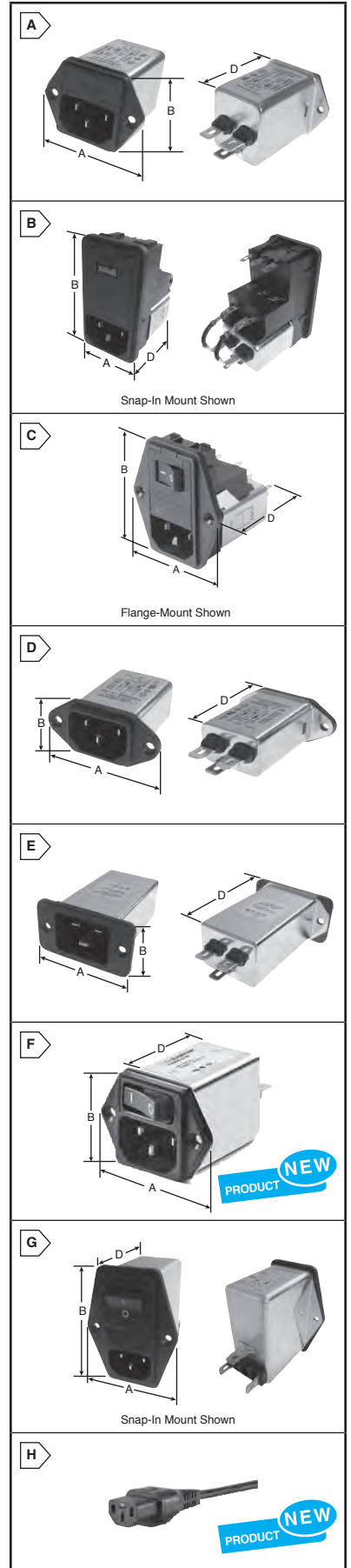
Specifications:

- Rated current up to 10A (C13 plug) 250VAC
- Fits any SCHAFFNER IEC C14 inlet filter
- Retrofit for any IEC C14 Inlet filter
- Various plugs for international useage
- Protection class I
- No accidental disconnection



For quantities greater than listed, call for quote.

MOUSER STOCK NO.	Schaffner Part No.	Fig.	Line Side Plug Type	Version	Price Each			
					1	25	50	100
631-ILC14SVT3100-183	IL13-C14-SVT-3100-183	H	IEC C14 male, straight	US				
631-ILEU1H053100-200	IL13-EU1-H05-3100-200	H	CEE7/VII, right angled	EU				
631-ILUS1SVT3100-183	IL13-US1-SVT-3100-183	H	NEMA5-15, straight	US				
631-ILUK1H053100-200	IL13-UK1-H05-3100-200	H	BS1363, right angled, fused 5A	UK				



SCHURTER AC Inlets and Outlets

SCHURTER GSP1 / GSP2 SERIES: IEC320 AC INLETS FOR PCB MOUNTING

- For "cold" connections 70°C.
- Class I level of protection (with ground terminal); IEC320/C14
- Ground terminal is solder/quick connect .187", 90° to connector axis

- Housing material: Black thermoplastic UL 94V-0
- Rating: UL/CSA - 15A/250V; VDE 10A/250V
- 2 screws included with GSP2. Screws for GSP1 not included.



For quantities greater than listed, call for quote.

MOUSER STOCK NO.	Schurter Part No.	Fig.	Terminal Spacing	Mounting Type	Price Each			
					1	25	50	100
Without Insulation Cover								
693-GSP1.8101.1	GSP1.8101.1	A	9.05/9.7mm	Flange with holes for M3 screws				
693-GSP2.8101.13	GSP2.8101.13	B	9.05/9.7mm	Screw-on with self-tapping M3 screws				
693-GSP2.8201.13	GSP2.8201.13	C	9.05/9.7mm	With snap-in feet for PCB 1.6mm				
With Insulation Cover								
693-GSP1.9113.1	GSP1.9113.1	A	7/7.3mm	Flange with holes for M3 screws				
693-GSP2.9113.13	GSP2.9113.13	B	7/7.3mm	Screw-on with self-tapping M3 screws				
693-GSP2.9213.13	GSP2.9213.13	C	7/7.3mm	With snap-in feet for PCB 1.6mm				

SCHURTER 6100 SERIES: PANEL MOUNT IEC320 AC INLETS

- For "cold" connections 70°C.
- Class I level of protection (with ground terminal); IEC320/C14

- Rating: UL/CSA - 15A/250V; VDE 10A/250V
- 6100 housing material: Black thermoplastic, PA 6.6



For quantities greater than listed, call for quote.

MOUSER STOCK NO.	Schurter Part No.	Fig.	Mounting Type	Price Each				
				1	25	50	100	
693-6100.3100	6100.3100	D	Screw-on, solder .138"					
693-6100.3200	6100.3200	D	Screw-on, quick connect .187"					
693-6100.3300	6100.3300	D	Screw-on, quick connect .250"					
693-6100.4115	6100.4115	E	Snap-in, solder .138", panel thickness 1.5mm					
693-6100.4215	6100.4215	E	Snap-in, quick connect .187", panel thickness 1.5mm					
693-6100.4310	6100.4310	E	Snap-in, quick connect .250", panel thickness 1.0mm					
693-6100.4315	6100.4315	E	Snap-in, quick connect .250", panel thickness 1.5mm					
Insulation Cover for 6100 Series								
693-0859.0048	0859.0048	-	Flexible plastic PVC, UL 94V-0 rated					

SCHURTER 4300 SERIES: LOW CURRENT AC INLETS

- For "cold" connections 70°C.
- Rating: UL/CSA/VDE - 2.5A/250V
- Housing material: Black thermoplastic, PBT

- Class I level of protection (with ground terminal) is IEC320/C6 3-pin
- Class II level of protection (without ground terminal) is IEC320/C8 2-pin



For quantities greater than listed, call for quote.

MOUSER STOCK NO.	Schurter Part No.	Fig.	Protection Level	Terminal Type	Mounting Type	Price Each			
						1	25	50	100
693-4300.0096	4300.0096	F	Class II	Solder	Screw-on				
693-4300.0097	4300.0097	F	Class II	PCB	Screw-on				
693-4300.0098	4300.0098	G	Class II	Solder	Snap-in				
693-4300.0099	4300.0099	G	Class II	PCB	Snap-in				
693-4300.0100	4300.0100	H	Class I	Solder	Screw-on				
693-4300.0101	4300.0101	H	Class I	PCB	Screw-on				

SCHURTER 6600/4721 SERIES: AC OUTLETS FOR PANEL MOUNTING

Shuttered outlets have mechanical covers over the L and N contacts which slide aside like a camera shutter when a plug is inserted and then spring back when the plug is removed. This offers protections against ingress of dust and against electrical shock.

- Class I level of protection (with ground terminal); IEC320/F
- Ratings: 6600 - UL/CSA 15A/250V, VDE 10A/250V
- 4721 - UL/CSA/VDE 10A/250V

- For "cold" connections 70°C.
- Housing materials: 6600 - Thermoplastic, Polyamid 6.6
- 4721 - Modified PPO UL94V-0



For quantities greater than listed, call for quote.

MOUSER STOCK NO.	Schurter Part No.	Fig.	Class	Terminal Type	Mounting Type	Price Each				
						1	25	50	100	
693-6600.4115	6600.4115	I	Class I	.138" Solder	Snap-in, 1.5mm panel thickness					
693-6600.4315	6600.4315	I	Class I	.250" QC	Snap-in, 1.5mm panel thickness					
693-6600.3100	6600.3100	J	Class I	.138" Solder	Screw-on					
693-6600.3300	6600.3300	J	Class I	.250" QC	Screw-on					
693-4721.0000	4721.0000	K	Class I	.250" QC	Screw-on, shuttered					
693-4721.0300	4721.0300	K	Class I	.138" Solder	Screw-on, shuttered					
Accessories for 6600 Series										
693-0859.0047	0859.0047	-			Insulation cover, flexible plastic PVC, UL 94V-0 rated					
693-0888.0017	0888.0017	-			Cord retaining clamp for screw-on 6600					

SCHURTER 4300 SERIES: NEMA 5-15R OUTLETS

Specifications:

- 4300.0701, 0702, 0703 have Class I level of protection (with ground terminal).
- 4300.0705 has Class II level of protection (without ground terminal).
- Ratings: UL/CSA 15A/125V

- Housing material: Black thermoplastic, Nylon 66
- Snap-in panel mount from front



For quantities greater than listed, call for quote.

MOUSER STOCK NO.	Schurter Part No.	Fig.	Panel Thickness	Terminal Type	Price Each			
					1	25	50	100
693-4300.0701	4300.0701	L	0.8-1.6mm	Solder/.187" quick connect				
693-4300.0702	4300.0702	M	0.8-1.6mm	V-slotted (14 AWG)				
693-4300.0703	4300.0703	N	0.8-2.0mm	Sockets for .205" tabs, solid wires (12-14 AWG)				
693-4300.0705	4300.0705	O	0.8-1.5mm	Solder/.187" quick connect				

* Use terminals 534-1213 or 534-1286

SCHURTER HIGH CURRENT CORD CONNECTORS

These new power cord connectors are rated for use with cordage up to 16/21A. Two types, 4789 and 4790 (plug or connector), are angled for closer placement of the equipment to the wall, consuming less space and minimizing the potential for tangling or tripping.

Specifications:

- Ratings IEC: 16A / 250VAC; 50Hz
- Ratings UL/CSA: 21A / 250VAC; 60Hz
- Dielectric Strength: 2kVAC between L-N and L/N-PE
- Operation Temp: -25°C to 70°C

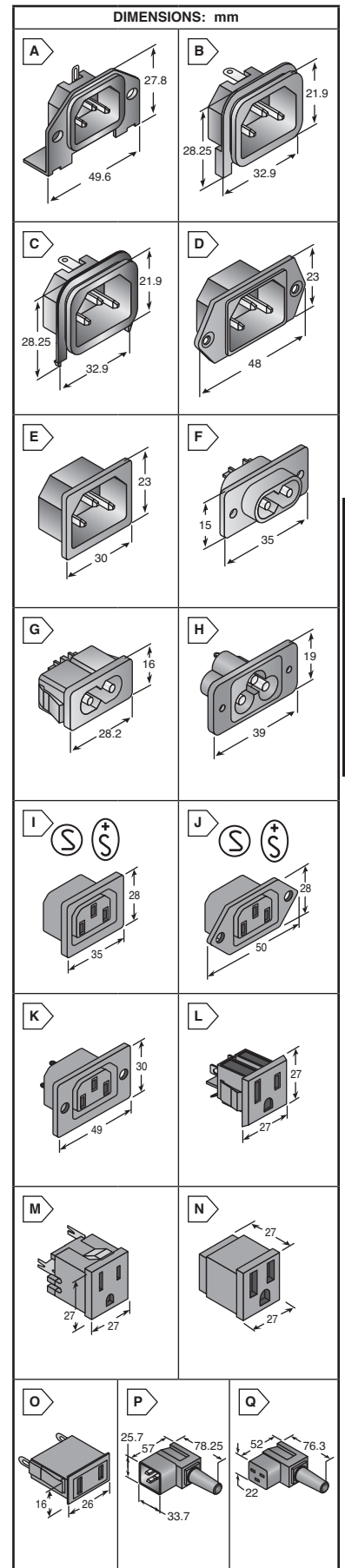
Features:

- Screw Terminals
- Rewireable plug/connector
- Housing material: Thermoplastic, Black UL 94V-0



For quantities greater than listed, call for quote.

MOUSER STOCK NO.	Schurter Part No.	Fig.	Description	Max Cable Dia..	Max. Wire Size	Price Each			
						1	10	25	50
693-4789.12	4789.1200	P	Plug for cable 90° Entry	10.00mm	3 x 2mm ² / 3 x 14 AWG				
693-4790.11	4790.1100	Q	Connector for cable 90° Entry	8.7mm	3 x 1.5mm ² / 3x16 AWG				
693-4790.12	4790.1200	Q	Connector for cable 90° Entry	10.00mm	3 x 2mm ² / 3 x 14 AWG				



AC Inlets, Outlets and Power Entry Modules

SCHURTER 4797 SERIES: HIGH CURRENT APPLIANCE OUTLETS

Specifications:

- Designed to IEC 60320 type "C20"
- Rated 16A VDE, 20A UL, 250 VAC
- Protection Class I (with ground). For pin temperatures to 70°C
- Screw-On or Snap-In mounting types; either quick connect or solder terminals

- Snap-In versions for other panel thickness available



RoHS Compliant

For quantities greater than listed, call for quote.

MOUSER STOCK NO.	Schurter Part No.	Fig.	Rated Current	Terminal Type	Mounting Type	Price Each			
						1	25	50	100
693-4797.0000	4797.0000	A	20A	6.3 x 0.8mm QC	Screw-On				
693-4797.3000	4797.3000	A	20A	Solder	Screw-On				

SCHURTER 4793/4798 SERIES: HIGH CURRENT IEC 320 AC INLETS

Specifications:

- Designed to IEC 60320 type C20
- Protection Class I (with ground). For pin temperatures to 70°C
- Rated 16A VDE, 20A UL, 250 VAC
- Snap-In versions for other panel thickness available
- Screw-On or Snap-In mounting types; either quick connect or solder terminals



RoHS Compliant

For quantities greater than listed, call for quote.

MOUSER STOCK NO.	Schurter Part No.	Fig.	Rated Current	Terminal Type	Mounting Type	Price Each			
						1	25	50	100
693-4793.4000	4793.4000	B	20A	6.3 x 0.8mm QC	1.5mm Snap-In				
693-4798.9000	4798.9000	C	20A	6.3 x 0.8mm QC	Screw-On				
693-4798.9200	4798.9200	C	20A	Solder	Screw-On				

SCHURTER 5110 SERIES: AC INLETS WITH STANDARD RFI LINE FILTER

Specifications:

- For "cold" connections 70°C.
- Class I level of protection (with ground terminal); IEC320/C14
- Terminals: 250° quick connect
- Designed to replace discrete filters that require wiring between the filter and panel inlet
- Medical units qualify for use in equipment with safety requirements according to IEC 601-1
- Rated: c-UL-us - 1A-15A/250V; VDE - 1A-10A/250V
- Max. leakage current: Standard - <0.5mA; Medical - <5µA



RoHS Compliant

For quantities greater than listed, call for quote.

MOUSER STOCK NO.	Schurter Part No.	Fig.	Rated Current	Terminal Type	Mounting Type	Inductance	Price Each			
							1	25	50	100
693-5110.0343.1	5110.0343.1	D	3A	6.8 x 0.8mm QC	Snap-in	2.5 mH				
693-5110.0633.1	5110.0633.1	E	6A	6.8 x 0.8mm QC	Screw-on	0.7 mH				
693-5110.0833.1	5110.0833.1	E	8A	6.8 x 0.8mm QC	Screw-on	0.6 mH				
693-5110.0843.1	5110.0843.1	D	8A	6.8 x 0.8mm QC	Snap-in	0.6 mH				
693-5110.1033.1	5110.1033.1	E	10A	6.8 x 0.8mm QC	Screw-on	0.4 mH				
693-5110.1043.1	5110.1043.1	D	10A	6.8 x 0.8mm QC	Snap-in	0.4 mH				
693-5110.1533.1	5110.1533.1	E	15A	6.8 x 0.8mm QC	Screw-on	0.1 mH				
693-5110.1543.1	5110.1543.1	D	15A	6.8 x 0.8mm QC	Snap-in	0.1 mH				
693-5110.0333.3	5110.0333.3	E	3A	6.8 x 0.8mm QC	Screw-on	2.5 mH				
693-5110.0343.3	5110.0343.3	D	3A	6.8 x 0.8mm QC	Snap-in	2.5 mH				
693-5110.0633.3	5110.0633.3	E	6A	6.8 x 0.8mm QC	Screw-on	0.7 mH				
693-5110.0643.3	5110.0643.3	D	6A	6.8 x 0.8mm QC	Snap-in	0.7 mH				
693-5110.1533.3	5110.1533.3	E	15A	6.8 x 0.8mm QC	Screw-on	0.1 mH				
693-5110.1543.3	5110.1543.3	D	15A	6.8 x 0.8mm QC	Snap-in	0.1 mH				

SCHURTER 5120 SERIES: LOW COST AC INLETS WITH STANDARD RFI LINE FILTER

Specifications:

- For "cold" connections 70°C
- Class I level of protection (with ground terminal); IEC320/C14
- Terminals: 6.3mm quick connect
- Designed to replace discrete filters that require wiring between the filter and panel inlet
- Medical units qualify for use in equipment with safety requirements according to IEC 601-1
- Rated: c-UL-us - 1A-15A/250V; VDE - 1A-10A/250V
- Max. leakage current: Standard - <0.5mA; Medical - 5µA



RoHS Compliant

For quantities greater than listed, call for quote.

MOUSER STOCK NO.	Schurter Part No.	Fig.	Rated Current	Terminal Type	Mounting Type	Inductance	Price Each			
							1	25	50	100
693-5120.0004.0	5120.0004.0	F	6A	6.3 x 0.8mm QC	Front/Rear Screw-On	0.8 mH				
693-5120.0003.0	5120.0003.0	F	4A	6.3 x 0.8mm QC	Front/Rear Screw-On	2x2 mH				
693-5120.0200.0	5120.0200.0	F	1A	6.3 x 0.8mm QC	Front/Rear Screw-On	2x12 mH				
693-5120.0203.0	5120.0203.0	F	4A	6.3 x 0.8mm QC	Front/Rear Screw-On	2x2 mH				
693-5120.0204.0	5120.0204.0	F	6A	6.3 x 0.8mm QC	Front/Rear Screw-On	2x0.8 mH				
693-5120.0206.0	5120.0206.0	F	10A	6.3 x 0.8mm QC	Front/Rear Screw-On	2x0.4 mH				
693-5120.0207.0	5120.0207.0	F	15A	6.3 x 0.8mm QC	Front/Rear Screw-On	2x0.1 mH				
693-5120.0300.0	5120.0300.0	F	1A	6.3 x 0.8mm QC	Front/Rear Screw-On	2x12 mH				
693-5120.0301.0	5120.0301.0	F	2A	6.3 x 0.8mm QC	Front/Rear Screw-On	2x5.2 mH				
693-5120.0303.0	5120.0303.0	F	4A	6.3 x 0.8mm QC	Front/Rear Screw-On	2x2 mH				
693-5120.0304.0	5120.0304.0	F	6A	6.3 x 0.8mm QC	Front/Rear Screw-On	2x0.8 mH				
693-5120.0306.0	5120.0306.0	F	10A	6.3 x 0.8mm QC	Front/Rear Screw-On	2x0.4 mH				
693-5120.0307.0	5120.0307.0	F	15A	6.3 x 0.8mm QC	Front/Rear Screw-On	2x0.1 mH				

SCHURTER 5150 SERIES: HIGH FREQUENCY AC FILTERED INLETS

Specifications:

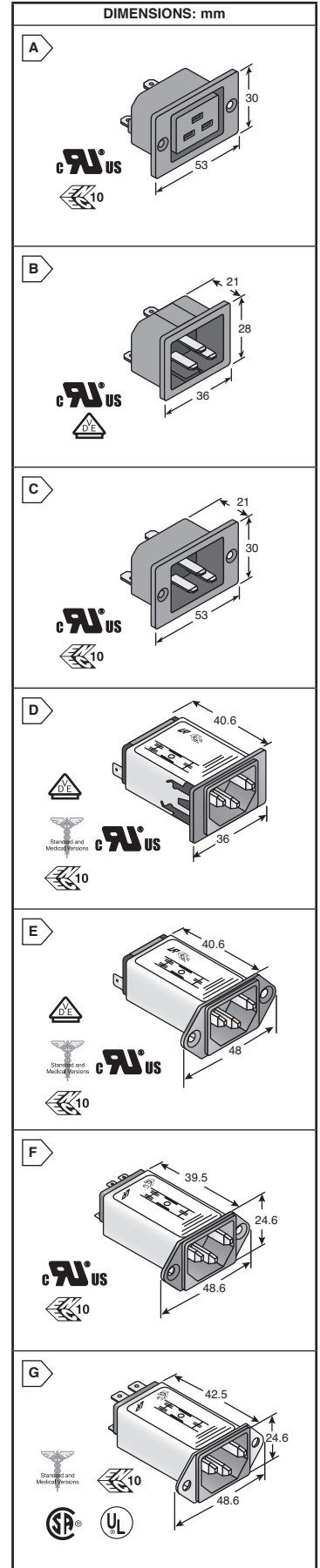
- Panel Mount:
- Screw-on version from front or rear side
- 2 Functions:
 - Inlet, High frequency line filter as standard, industrial and medical version, Protection class I
 - Quick connect terminals 6.3 x 0.8mm
- Very compact filter for frequencies up to 1GHz
- Patented X2Y Technologies for broadband high frequency filtering
- One single filter design for the given current range
- Suitable for assembly in metal plated plastic housings
- For use in equipment acc. IEC 60950/60601



RoHS Compliant

For quantities greater than listed, call for quote.

MOUSER STOCK NO.	Schurter Part No.	Fig.	Rated Current	Terminal Type	Mounting Type	Price Each			
						1	25	50	100
693-5150.0011.0	5150.0011.0	G	15A	6.3 x 0.8 mm QC	Front-/Rear-Side				
693-5150.0011.1	5150.0011.1	G	15A	6.3 x 0.8 mm QC	Rear-Side				
693-5150.0021.0	5150.0021.0	G	15A	6.3 x 0.8 mm QC	Rear-Side				
693-5150.0021.1	5150.0021.1	G	15A	6.3 x 0.8 mm QC	Rear-Side				
693-5150.0031.0	5150.0031.0	G	15A	6.3 x 0.8 mm QC	Front-/Rear-Side				
693-5150.0031.1	5150.0031.1	G	15A	6.3 x 0.8 mm QC	Rear-Side				



SCHURTER AC Inlets, AC Outlets and DC Power Entry Modules

SCHURTER AC INLETS/OUTLETS

ELECTRONIC COMPONENTS



• Rating: 250VAC@15A UL/CSA, 10A VDE/SEMKO

For quantities greater than listed, call for quote.

MOUSER STOCK NO.	Schurter Part No.	Fig.	Mounting	Terminals	Price Each			
					1	25	50	100
693-4300.0301	4300.0301	A	Snap-in	4.8x0.8mm Q.C.				
693-4304.6001	4304.6001	B	Vertical Screw-on	Solder				
693-4304.6002	4304.6002	B	Vertical Screw-on	6.3x0.8mm Q.C.				
693-4304.6003	4304.6003	C	Horizontal Screw-on	Solder				
693-4304.6004	4304.6004	C	Horizontal Screw-on	6.3x0.8mm Q.C.				

SCHURTER INLET WITH SWITCH, FUSEHOLDER

ELECTRONIC COMPONENTS



• Rating: 250VAC@1-10A cURus, ENEC10

For quantities greater than listed, call for quote.

MOUSER STOCK NO.	Schurter Part No.	Fig.	Mounting	Terminals	Price Each			
					1	25	50	100
693-4304.6090	4304.6090	D	Horizontal Screw-on	4.8x0.8mm Q.C.				

SCHURTER INLET WITH SWITCH, FUSEHOLDER, 1- OR 2-STAGE EMI FILTER

ELECTRONIC COMPONENTS



• Rating: 250VAC@1-10A cURus, ENEC10

For quantities greater than listed, call for quote.

MOUSER STOCK NO.	Schurter Part No.	Fig.	I _N (A)	Stages	Mounting	Terminals	Price Each			
							1	25	50	100
693-4304.4022	4304.4022	E	2	1	Horizontal Screw-on	6.3x0.8mm Q.C.				
693-4304.4024	4304.4024	E	6	1	Horizontal Screw-on	6.3x0.8mm Q.C.				
693-4304.4025	4304.4025	E	10	1	Horizontal Screw-on	6.3x0.8mm Q.C.				
693-4304.5021	4304.5021	F	1	2	Horizontal Screw-on	6.3x0.8mm Q.C.				
693-4304.5023	4304.5023	F	4	2	Horizontal Screw-on	6.3x0.8mm Q.C.				
693-4304.5024	4304.5024	F	6	2	Horizontal Screw-on	6.3x0.8mm Q.C.				

SCHURTER BACKPLANE OUTLETS

ELECTRONIC COMPONENTS



• Rating: 250VAC@15A UL/CSA, 10A VDE

For quantities greater than listed, call for quote.

MOUSER STOCK NO.	Schurter Part No.	Fig.	Mounting	Terminals	Price Each			
					1	25	50	100
693-4787.1000	4787.1000	G	Screw-on	6.3x0.8mm Q.C.				
693-4788.8000	4788.8000	H	Snap-in, 1.2mm	6.3x0.8mm Q.C.				
693-4788.4000	4788.4000	H	Snap-in, 1.5mm	6.3x0.8mm Q.C.				
693-4788.5000	4788.5000	H	Snap-in, 2.0mm	6.3x0.8mm Q.C.				
693-4788.6000	4788.6000	H	Snap-in, 2.5mm	6.3x0.8mm Q.C.				

SCHURTER HIGH CURRENT AC CONNECTORS

ELECTRONIC COMPONENTS



• Rating: 250VAC@21A UL/CSA, 16A VDE/ENEC05

For quantities greater than listed, call for quote.

MOUSER STOCK NO.	Schurter Part No.	Fig.	Mounting	Terminals	Price Each			
					1	25	50	100
693-6183.0004	6183.0004	I	Screw-on	6.3x0.8mm Q.C.				
693-6163.0018	6163.0018	J	PCB	PCB+6.3x0.8mm				

SCHURTER DC FILTERED POWER ENTRY MODULES

ELECTRONIC COMPONENTS

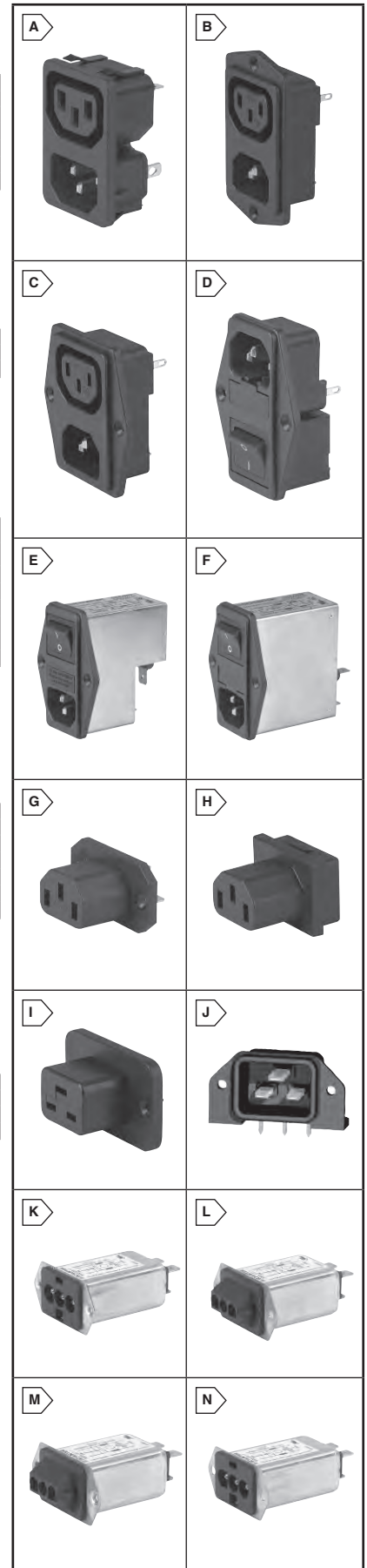


• Rating: 125VDC@3-15A • Terminals: 6.3x0.8mm QC

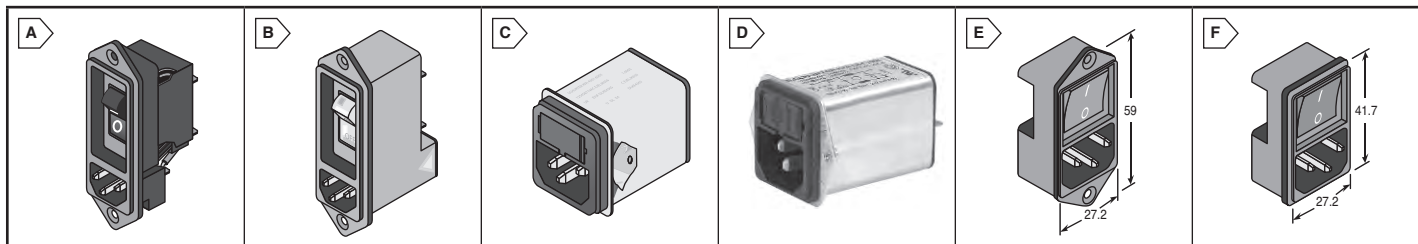
* Mounting holes are pre-threaded

For quantities greater than listed, call for quote.

MOUSER STOCK NO.	Schurter Part No.	Fig.	I _N (A)	Mounting Type	Housing	Female Terminal	Price Each			
							1	25	50	100
* 693-5003.0121.1	5003.0121.1	K	3	Rear Screw-on	538-03-12-1036	538-18-12-1222				
* 693-5003.0221.1	5003.0221.1	K	6	Rear Screw-on	538-03-12-1036	538-18-12-1222				
693-5003.1111.1	5003.1111.1	L	3	Front/Rear Screw-on	571-1-480700-0	538-02-08-1002				
693-5003.1211.1	5003.1211.1	L	6	Front/Rear Screw-on	571-1-480700-0	538-02-08-1002				
693-5003.1311.1	5003.1311.1	L	10	Front/Rear Screw-on	571-1-480700-0	538-02-08-1002				
693-5003.1411.1	5003.1411.1	L	15	Front/Rear Screw-on	571-1-480700-0	538-02-08-1002				
* 693-5003.1121.1	5003.1121.1	M	3	Rear Screw-on	571-1-480700-0	538-02-08-1002				
* 693-5003.1321.1	5003.1321.1	M	10	Rear Screw-on	571-1-480700-0	538-02-08-1002				
693-5003.0111.1	5003.0111.1	N	3	Front/Rear Screw-on	538-03-12-1036	538-18-12-1222				
693-5003.0211.1	5003.0211.1	N	6	Front/Rear Screw-on	538-03-12-1036	538-18-12-1222				
693-5003.0311.1	5003.0311.1	N	10	Front/Rear Screw-on	538-03-12-1036	538-18-12-1222				
693-5003.0231.1	5003.0231.1	K	6	Front-Side	538-03-12-1036	538-18-12-1222				
693-5003.0331.1	5003.0331.1	K	10	Front-Side	538-03-12-1036	538-18-12-1222				
693-5003.1431.1	5003.1431.1	M	15	Front-Side	571-1-480700-0	538-02-08-1002				



AC Power Connectors Schurter



SCHURTER DF11 SERIES POWER ENTRY MODULES

Specifications:

- Two functions: Inlet protection Class I, fuseholder circuit breaker type TA45 2-pole
- Qualified for use in equipment according IEC/EN 60950
- Rating: IEC 10A @ 250VAC, 60Hz; UL/CSA 1-15A @ 250VAC, 60Hz
- Housing material: Thermoplastic, black, UL 94V-0
- Panel mount
- Quick connect terminals 6.3 x 0.8mm
- Thermal overload protection



*Embossed Legend

For quantities greater than listed, call for quote.

MOUSER STOCK NO.	Schurter Part No.	Fig.	Protected Poles	Rated Current	Panel Thickness	Rocker Color	Rocker Legend	Price Each			
								1	25	50	100
693-DF111089001001	DF11.1089.0010.01	A	2	15 A	Screw terminals	Black	I-O Vertical				
693-DF111089001002	DF11.1089.0010.02	A	2	15 A	Screw terminals	Black	I-O Vertical				
693-DF111477001202	DF11.1477.0012.02	A	1	10 A	1.5mm	Black	ON-OFF Vertical				
693-DF112078001001	DF11.2078.0010.01	A	2	10 A	Screw terminals	Black	ON-OFF Vertical				
693-DF11217300101	DF11.2173.0012.01	A	1	10 A	1.5mm	Black	* I-O Vertical				

Schurter AC Power Connectors

SCHURTER DF12 SERIES POWER ENTRY MODULES WITH LINE FILTER

Specifications:

- Three functions: Inlet protection Class I, fuseholder circuit breaker type TA45 2-pole, line filter in standard and medical version
- Qualified for use in equipment according IEC/EN 60950
- Rating: IEC 10 A @ Ta 40°C / 250VAC, 50Hz, UL/CSA 1-15A @ Ta 40°C / 250VAC, 60Hz
- Panel Mount
- Screw terminals
- Thermal overload protection
- Housing material: Thermoplastic, black, UL 94V-0



*Embossed Legend

For quantities greater than listed, call for quote.

MOUSER STOCK NO.	Schurter Part No.	Fig.	Protected Poles	Rated Current	Rocker Color	Rocker Legend	Leakage Current	Price Each			
								1	25	50	100
693-DF12003191101	DF12.0031.9110.1	B	1	15 A	White	* I-O Vertical	Standard				
693-DF12003193101	DF12.0031.9310.1	B	1	15 A	White	* I-O Vertical	Medical				
693-DF12047073101	DF12.0470.7310.1	B	2	10 A	White	* I-O Vertical	Medical				
693-DF12047093101	DF12.0470.9310.1	B	2	10 A	White	* I-O Vertical	Medical				
693-DF12058651101	DF12.0586.5110.1	B	1	5 A	White	* I-O Vertical	Standard				
693-DF12084753101	DF12.0847.5310.1	B	2	5 A	White	* I-O Vertical	Medical				
693-DF12088591101	DF12.0885.9110.1	B	2	15 A	White	* I-O Vertical	Standard				
693-DF12088593101	DF12.0885.9310.1	B	2	15 A	White	* I-O Vertical	Medical				
693-DF12089093101	DF12.0890.9310.1	B	2	15 A	White	I-O Vertical	Medical				
693-DF12135641101	DF12.1356.4110.1	B	2	4 A	White	* I-O Vertical	Standard				
693-DF12159373101	DF12.1593.7310.1	B	2	8 A	White	I-O Vertical	Medical				
693-DF12277091101	DF12.2770.9110.1	B	1	15 A	Black	ON-OFF Vertical	Standard				
693-DF12285191101	DF12.2851.9110.1	B	2	15 A	Orange	* I-O Vertical	Standard				
693-DF12300093101	DF12.3000.9310.1	B	1	15 A	Black	* I-O Vertical	Medical				

SCHURTER KFA SERIES POWER ENTRY MODULES WITH LINE FILTER

Specifications:

- Three functions: Inlet protection Class I, fuseholder circuit breaker type TA45 2-pole, line filter in standard and medical version
- Qualified for use in equipment according IEC/EN 60950
- Rating: IEC 10 A @ Ta 40°C / 250VAC, 50Hz, UL/CSA 1-15A @ Ta 40°C / 250VAC, 60Hz
- Housing material: Thermoplastic, black, UL 94V-0
- Panel Mount
- Screw terminals
- Thermal overload protection
- Fuse drawers are not included



Front Mount With Medical Filter

For quantities greater than listed, call for quote.

MOUSER STOCK NO.	Schurter Part No.	Fig.	Rated Current	Fuseholder	Price Each			
					1	25	50	100
693-4301.6201	4301.6201	C	1 A	2 pole				
693-4301.6203	4301.6203	C	2 A	2 pole				
693-4301.6205	4301.6205	C	4 A	2 pole				

Front Mount With Standard Filter

For quantities greater than listed, call for quote.

MOUSER STOCK NO.	Schurter Part No.	Fig.	Rated Current	Fuseholder	Price Each			
					1	25	50	100
693-4301.6012	4301.6012	C	2 A	1 pole				
693-4301.6013	4301.6013	C	4 A	1 pole				
693-4301.6014	4301.6014	C	6 A	1 pole				
693-4301.6015	4301.6015	C	10 A	1 pole				
693-4301.6004	4301.6004	C	6 A	2 pole				

Rear Mount With Metal Flange and Standard Filter

For quantities greater than listed, call for quote.

MOUSER STOCK NO.	Schurter Part No.	Fig.	Rated Current	Fuseholder	Price Each			
					1	25	50	100
693-4301.7001	4301.7001	D	1 A	2 pole				
693-4301.7002	4301.7002	D	2 A	2 pole				
693-4301.7003	4301.7003	D	4 A	2 pole				
693-4301.7004	4301.7004	D	6 A	2 pole				
693-4301.7005	4301.7005	D	10 A	2 pole				

SCHURTER KEB SERIES: AC INLETS WITH LINE SWITCH FOR PANEL MOUNT

Specifications:

- For "cold" connections 65°C
- Class I level of protection (with ground terminal); IEC320/C14
- Rating: UL/CSA/VDE - 10A/250V
- SPST or DPST switch (On-Off)
- Terminals: .187" quick connect
- Screw mount from front or rear, snap-in from front



For quantities greater than listed, call for quote.

MOUSER STOCK NO.	Schurter Part No.	Fig.	Panel Thickness	No. of Poles (Switch)	Mounting Type	Price Each			
						1	25	50	100
693-4302.2001	4302.2001	E	6mm max.	2	Screw-on				
693-4302.2002	4302.2002	F	2.0mm	2	Snap-in				

Accessories for KEB

693-0859.0075	0859.0075	--		Insulation cover, flexible plastic PVC, for 2-pole KEB							
693-0888.0004	0888.0004	--		Cord retaining clamp for screw-on KEB							

SCHURTER DD11 SERIES: AC INLETS WITH LINE SWITCH, FUSEHOLDER

Fusedrawers and casings must be ordered separately, 5X20mm fuses sold separately

For quantities greater than listed, call for quote.

MOUSER STOCK NO.	Schurter Part No.	Fig.	Cover	Panel Thickness	No. of Poles Fuseholder/Switch	Illumination	Price Each			
							1	25	50	100
693-DD11.0111.1111	DD11.0111.1111	A	Y	8mm	1/2	None				
693-DD11.0113.1111	DD11.0113.1111	A	Y	8mm	1/2	Red				
693-DD11.0114.1111	DD11.0114.1111	A	Y	8mm	1/2	Green				
693-DD11.0121.1111	DD11.0121.1111	A	Y	8mm	2/2	None				
693-DD11.0123.1111	DD11.0123.1111	A	Y	8mm	2/2	Red				
693-DD11.0124.1111	DD11.0124.1111	A	Y	8mm	2/2	Green				
693-DD11.0111.1110	DD11.0111.1110	A	N	8mm	1/2	None				
693-DD11.0113.1110	DD11.0113.1110	A	N	8mm	1/2	Red				
693-DD11.0114.1110	DD11.0114.1110	A	N	8mm	1/2	Green				
693-DD11.0121.1110	DD11.0121.1110	A	N	8mm	2/2	None				
693-DD11.0123.1110	DD11.0123.1110	A	N	8mm	2/2	Red				
693-DD11.0124.1110	DD11.0124.1110	A	N	8mm	2/2	Green				

SCHURTER DD12 SERIES: AC INLETS WITH LINE SWITCH, FUSEHOLDER AND EMI/RFI FILTER

Fusedrawers and casings must be ordered separately, 5X20mm fuses sold separately

For quantities greater than listed, call for quote.

MOUSER STOCK NO.	Schurter Part No.	Fig.	Panel Thickness	No. of Poles Fuseholder/Switch	Rated Current (A)	Filter	Price Each			
							1	25	50	100
693-DD12.1111.1111	DD12.1111.1111	B	8mm	1/2	1	Standard				
693-DD12.2111.1111	DD12.2111.1111	B	8mm	1/2	2	Standard				
693-DD12.4111.1111	DD12.4111.1111	B	8mm	1/2	4	Standard				
693-DD12.6111.1111	DD12.6111.1111	B	8mm	1/2	6	Standard				
693-DD12.8111.1111	DD12.8111.1111	B	8mm	1/2	8	Standard				
693-DD12.9111.1111	DD12.9111.1111	B	8mm	1/2	10	Standard				
693-DD12.1121.1111	DD12.1121.1111	B	8mm	1 or 2/2	1	Standard				
693-DD12.2121.1111	DD12.2121.1111	B	8mm	1 or 2/2	2	Standard				
693-DD12.4121.1111	DD12.4121.1111	B	8mm	1 or 2/2	4	Standard				
693-DD12.6121.1111	DD12.6121.1111	B	8mm	1 or 2/2	6	Standard				
693-DD12.8121.1111	DD12.8121.1111	B	8mm	1 or 2/2	8	Standard				
693-DD12.9121.1111	DD12.9121.1111	B	8mm	1 or 2/2	10	Standard				
693-DD12.1321.1111	DD12.1321.1111	B	8mm	1 or 2/2	1	Medical				
693-DD12.2321.1111	DD12.2321.1111	B	8mm	1 or 2/2	2	Medical				
693-DD12.4321.1111	DD12.4321.1111	B	8mm	1 or 2/2	4	Medical				
693-DD12.6321.1111	DD12.6321.1111	B	8mm	1 or 2/2	6	Medical				
693-DD12.9321.1111	DD12.9321.1111	B	8mm	1 or 2/2	10	Medical				

SCHURTER DD21/DD22 SERIES: AC INLETS WITH LINE SWITCH

Fusedrawers and casings must be ordered separately, 5X20mm fuses sold separately

For quantities greater than listed, call for quote.

* Ratings: UL/CSA - 8, IEC 10A

MOUSER STOCK NO.	Schurter Part No.	Fig.	Panel Thickness	Number of Poles (Fuseholder/Switch)	Description	Price Each			
						1	25	50	100
693-DD21.0111.1111	DD21.0111.1111	C	8mm	1/2	No Illumination				
693-DD21.0123.1111	DD21.0123.1111	C	8mm	2/2	Red Illumination				
693-DD21.0124.1111	DD21.0124.1111	C	8mm	2/2	Green Illumination				

With Line Switch, Fuseholder and EMI/RFI Filter

* Ratings: UL/CSA, IEC 1-10A

For quantities greater than listed, call for quote.

MOUSER STOCK NO.	Schurter Part No.	Fig.	Panel Thickness	Number of Poles (Fuseholder/Switch)	Rated Current (A)	Description	Price Each			
							1	10	25	50
693-DD22.1111.1111	DD22.1111.1111	D	8mm	1	1	Standard Filter				
693-DD22.2111.1111	DD22.2111.1111	D	8mm	1	2	Standard Filter				
693-DD22.9111.1111	DD22.9111.1111	D	8mm	1	10	Standard Filter				
693-DD22.1121.1111	DD22.1121.1111	D	8mm	2	1	Standard Filter				
693-DD22.2121.1111	DD22.2121.1111	D	8mm	2	2	Standard Filter				
693-DD22.6121.1111	DD22.6121.1111	D	8mm	2	6	Standard Filter				
693-DD22.9121.1111	DD22.9121.1111	D	8mm	2	10	Standard Filter				
693-DD22.1321.1111	DD22.1321.1111	D	8mm	2	1	Medical Filter				
693-DD22.9321.1111	DD22.9321.1111	D	8mm	2	10	Medical Filter				

SCHURTER KM SERIES: AC INLETS WITH SWITCH AND FUSEHOLDER

Fusedrawers and casings must be ordered separately, 5X20mm fuses sold separately

* RoHS Compliant

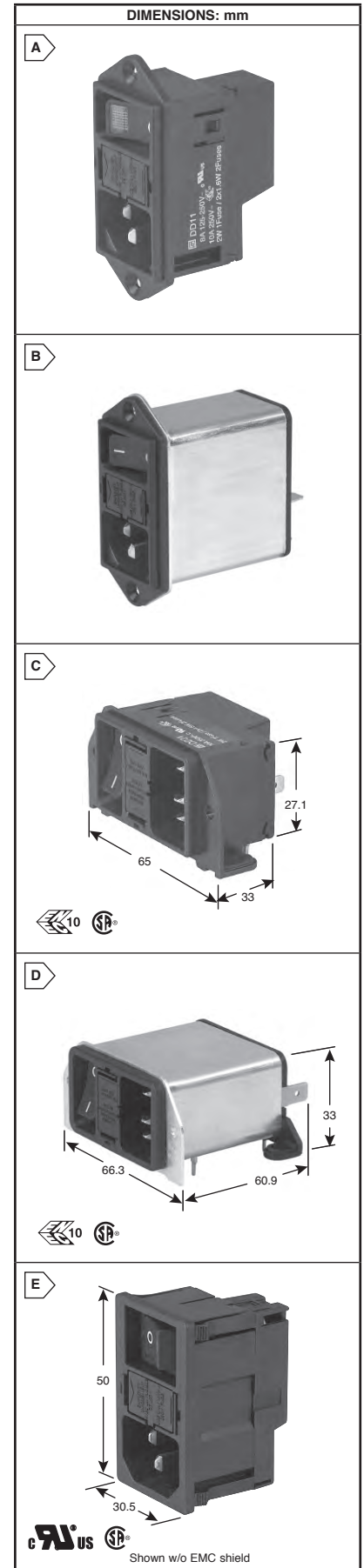
For quantities greater than listed, call for quote.

MOUSER STOCK NO.	Schurter Part No.	Fig.	Panel Thickness	No. of Poles Fuseholder/Switch	Mounting Type	Price Each			
						1	25	50	100
Casing only without EMC Shield									
693-KM00.1105.11	KM00.1105.11	E	1.5mm	2/2	Snap-in				
693-KM00.1205.11	KM00.1205.11	E	2.0mm	1/2	Snap-in				
Casing only with EMC Shield									
693-KM01.1105.11	KM01.1105.11	E	1.5mm	2/2	Snap-in				
693-KM01.1205.11	KM01.1205.11	E	2.0mm	1/2	Snap-in				

FUSEDRAWERS FOR KEA, KM, AND DD SERIES

For quantities greater than listed, call for quote.

MOUSER STOCK NO.	Schurter Part No.	Fig.	Description		Price Each			
			1	25	50	100		
693-4301.1405	4301.1405	-	Standard, 1-pole, black					
693-4301.1407	4301.1407	-	Medical, 1-pole, black					
693-4301.1401	4301.1401	-	Standard, 2-pole, black					
693-4301.1403	4301.1403	-	Medical, 2-pole, black					
693-4301.1413	4301.1413	-	Standard, 2-pole, black, with neutral side shorting bar					
693-4301.1415	4301.1415	-	Medical, 2-pole, black, with neutral side shorting bar					



AC Power Connectors Schurter

SCHURTER KEA SERIES: AC INLETS WITH FUSEHOLDER

Features:

- For "cold" connections 65°C
- Class I level of protection (with ground terminal); IEC320/C14
- Rating: UL/GS/VADE - 10A/250V

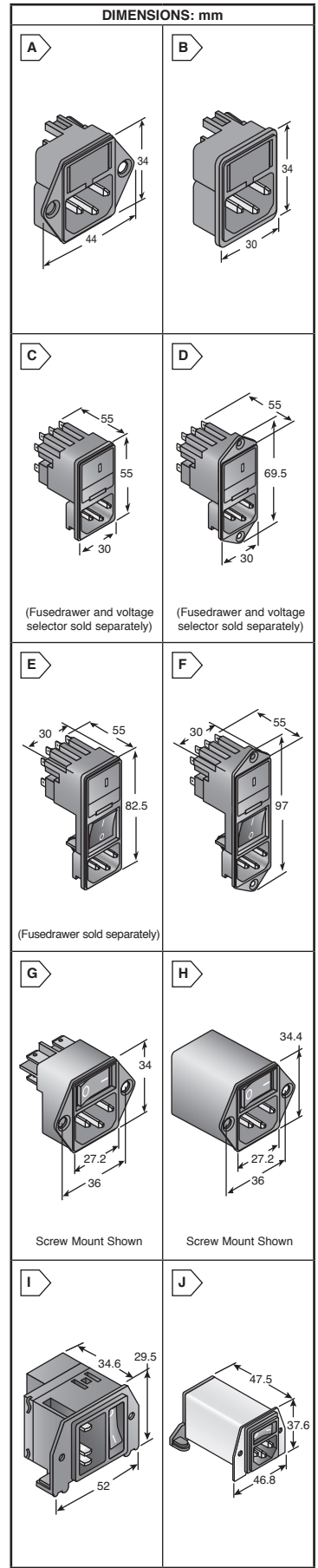
Fusedrawers and casings must be ordered separately, 5X20mm fuses sold separately



For quantities greater than listed, call for quote.

Casing Only

MOUSER STOCK NO.	Schurter Part No.	Fig.	Panel Thickness	No. of Poles (Fuseholder)	Mounting Type	Price Each			
						1	25	50	100
693-4301.0521	4301.0521	A	8mm max.	1	Screw-on				
693-4301.0501	4301.0501	A	8mm max.	2	Screw-on				
693-4301.0522	4301.0522	B	1.5mm	1	Snap-in				
693-4301.0502	4301.0502	B	1.5mm	2	Snap-in				



SCHURTER KE/KG SERIES: AC INLETS WITH VOLTAGE SELECTOR AND INTERCHANGEABLE FUSEDRAWER

Features:

- For "cold" connections 65°C
- Terminals: .187" quick connect
- 2-pole fusing type
- IP40 protection (front side)
- Class I level of protection (with ground terminal); IEC320/C14
- Voltage selector with series parallel connections and 4, 3, or 2 switch positions
- Rating: UL - 15A/250V, CSA/VADE - 10A/250V
- Medical fusedrawers meet requirements of tool only accessibility of medical standards IEC 601-1



For quantities greater than listed, call for quote.

Casing Only

MOUSER STOCK NO.	Schurter Part No.	Fig.	Panel Thickness	Internal Connection	Mounting Type	Price Each			
						1	10	25	50
693-KE10.2100.105	KE10.2100.105	C	1.5mm	No	Snap-in				
693-KE10.2100.151	KE10.2100.151	D	8mm max.	No	Screw-on				
693-KE10.6100.151	KE10.6100.151	D	8mm max.	Yes	Screw-on				
693-KG10.6101.105	KG10.6101.105	E	1.5mm	----	Snap-in				
693-KG10.6101.151	KG10.6101.151	F	8mm max.	----	Screw-on				

Accessories

For quantities greater than listed, call for quote.

MOUSER STOCK NO.	Schurter Part No.	Description	Price Each			
			1	25	50	100
Fusedrawers & Voltage Selector Inserts for KE/KG						
693-4305.0048.01	4305.0048.01	Voltage selector insert marking 100/120/220/240				
693-4305.0048.03	4305.0048.03	Voltage selector insert marking 110/220				
693-4305.0048.05	4305.0048.05	Voltage selector insert marking 115/230				
693-4305.0001	4305.0001	Fusedrawer for 5 x 20mm, 2-pole black				
693-4305.0021	4305.0021	Fusedrawer, 5 x 20mm, 2-pole black, neutral shorting bar				
693-4305.0012	4305.0012	Fusedrawer for .x1, 2-pole gray				
Insulation Covers for KE/KG Series						
693-0859.0076	0859.0076	Insulation cover, flexible plastic PVC, UL 94V-0 rated for KE				
693-0859.0109	0859.0109	Insulation cover for KG				

SCHURTER DC11/DC12 POWER ENTRY MODULES FOR HIGH CURRENT

Specifications:

- Rated Voltage: DC11 - 2500VAC; DC12 - 125/250VAC
- Appliance inlet according to IEC/EN 60320-1/C14
- Degree of Protection: IP40
- Terminals: DC11 - .187"QC; DC12 - .250"QC
- Switch Rating: 16A/250VAC - 10,000 switch operations; 10A/250VAC - 50,000 switch operations

Features:

- All single elements are already wired
- Qualified for use in equipment according to IEC/EN 60950
- Models with line filter have EMC shield



For quantities greater than listed, call for quote.

MOUSER STOCK NO.	Schurter Part No.	Fig.	Rated Current	Mounting Type	Panel Thickness	Line Switch		Price Each			
						No. of Poles	Illumination	1	10	25	50
Front Mount Without Line Filter											
693-DC11.0001.003	DC11.0001.003	G	12 A	Screw-on	----	1	----				
693-DC11.0001.203	DC11.0001.203	G	12 A	Snap-in	1.5mm	1	----				
693-DC11.0001.303	DC11.0001.303	G	12 A	Snap-in	2.0mm	1	----				
693-DC11.0001.001	DC11.0001.001	G	12 A	Screw-on	----	2	----				
693-DC11.0001.201	DC11.0001.201	G	12 A	Snap-in	1.5mm	2	----				
693-DC11.0001.301	DC11.0001.301	G	12 A	Snap-in	2.0mm	2	----				
693-DC11.0001.401	DC11.0001.401	G	12 A	Snap-in	2.5mm	2	----				
693-DC11.0021.001	DC11.0021.001	G	12 A	Screw-on	----	2	Red				
693-DC11.0021.201	DC11.0021.201	G	12 A	Snap-in	1.5mm	2	Red				
Front Mount With Standard Line Filter											
* 693-DC12.1102.003	DC12.1102.003	H	1 A	Screw-on	----	1	----				
* 693-DC12.2102.003	DC12.2102.003	H	2 A	Screw-on	----	1	----				
* 693-DC12.3102.003	DC12.3102.003	H	4 A	Screw-on	----	1	----				
* 693-DC12.4102.003	DC12.4102.003	H	6 A	Screw-on	----	1	----				
* 693-DC12.5102.003	DC12.5102.003	H	10 A	Screw-on	----	1	----				
* 693-DC12.1102.001	DC12.1102.001	H	1 A	Screw-on	----	2	----				
* 693-DC12.2102.001	DC12.2102.001	H	2 A	Screw-on	----	2	----				
* 693-DC12.3102.001	DC12.3102.001	H	4 A	Screw-on	----	2	----				
* 693-DC12.4102.001	DC12.4102.001	H	6 A	Screw-on	----	2	----				
* 693-DC12.5102.001	DC12.5102.001	H	10 A	Screw-on	----	2	----				

SCHURTER DC21/DC22 SERIES: PCB MOUNT, COMPACT POWER ENTRY MODULES

Specifications:

- Screw-on rear side panel mount
- Non-illuminated 2-pole switch
- Inrush current: 100A 3-4ms, 5 A continuous

- Switch and inlet pre-wired for 3-pin (L, N, & E) installation
- Qualified for use in equipment according to IEC/EN 60950
- Switch UL1054 rating: 20A @ 125VAC
- DC22 also available with medical version filter



For quantities greater than listed, call for quote.

MOUSER STOCK NO.	Schurter Part No.	Fig.	Rated Current	Panel Thickness (max)	Description	Price Each			
						1	25	50	100
693-DC21.0021.1111	DC21.0021.1111	I	10 A	3.5mm	Switch and inlet only, covered				
693-DC22.1121.111	DC22.1121.111	J	1 A	4.0mm	Switch and inlet with EMC filter				
693-DC22.2121.111	DC22.2121.111	J	2 A	4.0mm	Switch and inlet with EMC filter				
693-DC22.4121.111	DC22.4121.111	J	4 A	4.0mm	Switch and inlet with EMC filter				

SCHURTER KD SERIES: POWER ENTRY MODULES

- For "cold" connections 65°C
- DPST switch (On-Off)
- IP40 protection (front side)
- Rating: UL/CSA/VDE - 10A/250V
- Terminals: .187" quick connect
- 2-pole fusing type with internal connections
- Class I level of protection (with ground terminal); IEC320/C14
- Medical fusedrawers meet requirements of medical standards IEC 601-1

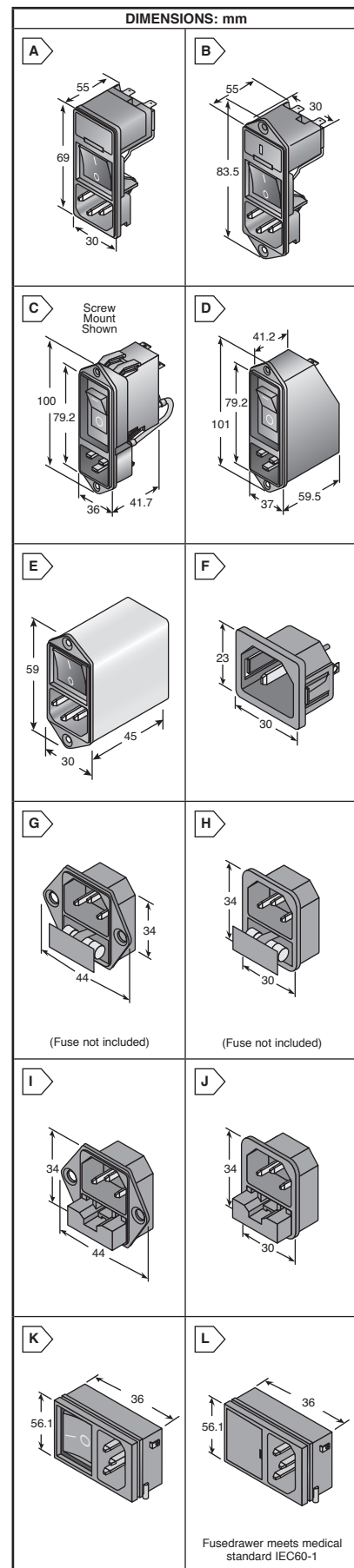


5x20mm fuses sold separately. Fusedrawers and casings must be ordered separately. For quantities greater than listed, call for quote.

MOUSER STOCK NO.	Schurter Part No.	Fig.	Panel Thickness	Voltage Selector	Mounting Type	Price Each			
						1	10	25	50
693-KD14.1101.105	KD14.1101.105	A	1.5mm	----	Snap-in				
693-KD14.1101.151	KD14.1101.151	B	8mm max.	----	Screw-on				
693-KD14.4101.105	KD14.4101.105	A	1.5mm	2-4 positions	Snap-in				
693-KD14.4101.151	KD14.4101.151	B	8mm max.	2-4 positions	Screw-on				

Accessories

693-4303.2014.01	4303.2014.01			Standard 2-pole with voltage selector 100/120/220/240					
693-4303.2024.01	4303.2024.01			Medical 2-pole with voltage selector 100/120/220/241					
693-4303.2401	4303.2401			Standard 2-pole black					
693-4303.2403	4303.2403			Medical 2-pole black					
693-4303.2411	4303.2411			Standard 2-pole black with neutral side shorting bar					
693-4303.2413	4303.2413			Medical 2-pole black with neutral side shorting bar					
693-0859.0074	0859.0074			Insulation cover for KD					



SCHURTER EF11/EF12 POWER ENTRY MODULES FOR HIGH CURRENT

- Specifications:**
- Rated Voltage: 125/250VAC
 - No Release
 - Circuit Breakers: EF11, ABT, EF12, ABT, 1-Pole
 - Rocker Actuated; EF11, ABD, EF12, ABD - 2 Pole Rocker
 - Actuated; EF11, A326 - 2-Pole Illuminated 220/240VAC
- Features:**
- All single elements are already wired
 - Models with line filter have EMC shield
 - Qualified for use in equipment according to IEC/EN 60950



For quantities greater than listed, call for quote.

MOUSER STOCK NO.	Schurter Part No.	Fig.	Rated Current	Mounting Type	Rocker Color	Rocker Legend	Price Each			
							1	10	25	50
With Circuit Breaker Type TA45										
693-EF110035.1001	EF11.ABTWF200C0.0010.01	C	20 A	Screw-on	White	Embossed -/O				
693-EF110035.1201	EF11.ABTWF200C0.0012.01	C	20 A	Snap-in 1.5mm	White	Embossed -/O				
693-EF111089.1001	EF11.ABDBL150C0.0010.01	C	15 A	Screw-on	Black	Printed -/O				
693-EF112196.1001	EF11.ABDBL200C0.0010.01	C	20 A	Screw-on	Black	Printed -/O				
693-EF112196.1301	EF11.ABDBL150C0.0013.01	C	15 A	Snap-in 2.0mm	Black	Printed -/O				
693-EF112561.1201	EF11.A326K200C0.0012.01	C	20 A	Snap-in 1.5mm	Orange trans.	ON/OFF				
With Standard Line Filter and Circuit Breaker Type TA45										
693-EF12034.211001	EF12.ABTWF160C0.2110.01	D	16 A	Screw-on	White	Embossed -/O				
693-EF12035.111001	EF12.ABTWF200C0.1110.01	D	20 A	Screw-on	White	Embossed -/O				
693-EF12572.111001	EF12.ABDWF200C0.1110.01	D	20 A	Screw-on	White	Embossed -/O				
693-EF12699.211001	EF12.ABDWF200C0.2110.01	D	16 A	Screw-on	White	Embossed -/O				

SCHURTER KFB SERIES: AC INLET WITH RFI LINE FILTER AND LINE SWITCH

- Specifications:**
- For "cold" connections 70°C
 - Terminals: .250" quick connect
 - Screw mount from front or rear
 - Medical units qualify for use in equipment with safety requirements according to IEC 601-1
 - Class I level of protection (with ground terminal); IEC320/C14
 - Max. leakage current: Standard - <0.5mA; Medical - <5µA



For quantities greater than listed, call for quote.

MOUSER STOCK NO.	Schurter Part No.	Fig.	Rated Current	Inductance	Switch Function	Price Each				
						1	10	25	50	
With Standard RFI Filter										
693-4302.5311	4302.5311	E	1 A	10 mH	DPST On-Off					
693-4302.5312	4302.5312	E	2 A	4 mH	DPST On-Off					
693-4302.5313	4302.5313	E	4 A	1.5 mH	DPST On-Off					
693-4302.5314	4302.5314	E	6 A	0.8 mH	DPST On-Off					
693-4302.5315	4302.5315	E	10 A	0.3 mH	DPST On-Off					
With Medical RFI Filter										
693-4302.5335	4302.5335	E	4 A	1.5 mH	DPST On-Off					
693-4302.5337	4302.5337	E	6 A	0.8 mH	DPST On-Off					
Accessories for KFB Series										
693-0888.0004	0888.0004	---			Cord retaining clamp for KFB with SPST switch					

SCHURTER 6110 SERIES: PANEL MOUNT IEC 6114 AC INLETS

- Specifications:**
- Ratings IEC 10 A / 250 VAC; Hz 50
 - Ratings UL/CSA 15 A / 250 VAC; 60 Hz
 - Suitable for appliances with protection class II acc. to IEC 61140

RoHS Compliant
For quantities greater than listed, call for quote.

MOUSER STOCK NO.	Schurter Part No.	Fig.	Description	Price Each			
				1	10	25	50
693-6102.5115	6102.5115	F	Solder terminals 3.8 x 0.8mm				
693-6102.5220	6102.5220	F	Quick connect terminals 4.8 x 0.8mm				
693-6102.5230	6102.5230	F	Quick connect terminals 4.8 x 0.8mm				

SCHURTER 6200/6220 SERIES: AC INLETS WITH FUSEHOLDER

- Specifications:**
- Class I level of protection (with ground terminal); IEC320/C14
 - Rating: UL/CSA/VDE - 10A/250V
 - 6200 fusedrawers meet requirements of medical standards IEC 601-1
 - For "cold" connections 70°C
 - Casing and fusedrawer combined, 5x20mm fuses sold separately.



MOUSER STOCK NO.	Schurter Part No.	Fig.	No. of Poles (Fuseholder)	Mounting Type	Terminal Type	Price Each			
						1	25	50	100
693-6200.2100	6200.2100	G	1	Screw-on	.138" solder				
693-6200.4115	6200.4115	H	1	Snap-in	.138" solder, 1.5mm panel				
693-6200.2200	6200.2200	G	1	Screw-on	.187" quick connect				
693-6200.4215	6200.4215	H	1	Snap-in	.187" QC, 1.5mm panel				
693-6200.2300	6200.2300	G	1	Screw-on	.250" quick connect				
693-6200.4315	6200.4315	H	1	Snap-in	.250" QC, 1.5mm panel				
693-6220.2100	6220.2100	I	2	Screw-on	.138" solder				
693-6220.5115	6220.5115	J	2	Snap-in	.138" solder, 1.5mm panel				
693-6220.2300	6220.2300	I	2	Screw-on	.250" quick connect				
693-6220.5315	6220.5315	J	2	Snap-in	.250" QC, 1.5mm panel				

Accessories

693-0859.0047	0859.0047	---			Insulation cover, flexible plastic PVC, UL 94V-0 rated				
693-0888.0004	0888.0004	---			Cord retaining clamp for screw-on 6200 and 6220				

SCHURTER KP SERIES: PCB MOUNT POWER ENTRY MODULES

- Specifications:**
- For "cold" connections 65°C
 - Panel thickness 1.5-2.0mm
 - Class I level of protection (with ground terminal)
 - Fusedrawers meet requirements of medical standards IEC 601-1
 - 2 M3 self-tapping screws included with screw on mounting types
 - Ratings: Inlet/Outlet & Inlet/Fusedrawer - UL/CSA/VDE - 10A/250V
 - Inlet/Switch - UL/CSA - 15A/250V, VDE - 10A/250V



5x20mm fuses for fusedrawer types sold separately. For quantities greater than listed, call for quote.

MOUSER STOCK NO.	Schurter Part No.	Fig.	No. of Poles	Mounting Type	Terminal Type	Price Each			
						1	25	50	100
693-KP01.1252.11	KP01.1252.11	K	1	Screw-on	AC inlet with on/off line switch				
693-KP01.1112.11	KP01.1112.11	K	2	Snap-in feet	AC inlet with on/off line switch				
693-KP01.1152.11	KP01.1152.11	K	2	Screw-on	AC inlet with on/off line switch				
693-KP01.1452.01	KP01.1452.01	L	1	Screw-on	AC inlet with fusedrawer				
693-KP01.1352.01	KP01.1352.01	L	2	Screw-on	AC inlet with fusedrawer				

AC Power Connectors Schurter

SCHURTER 5200/5220 SERIES: AC INLET WITH RFI LINE FILTER AND FUSEHOLDER

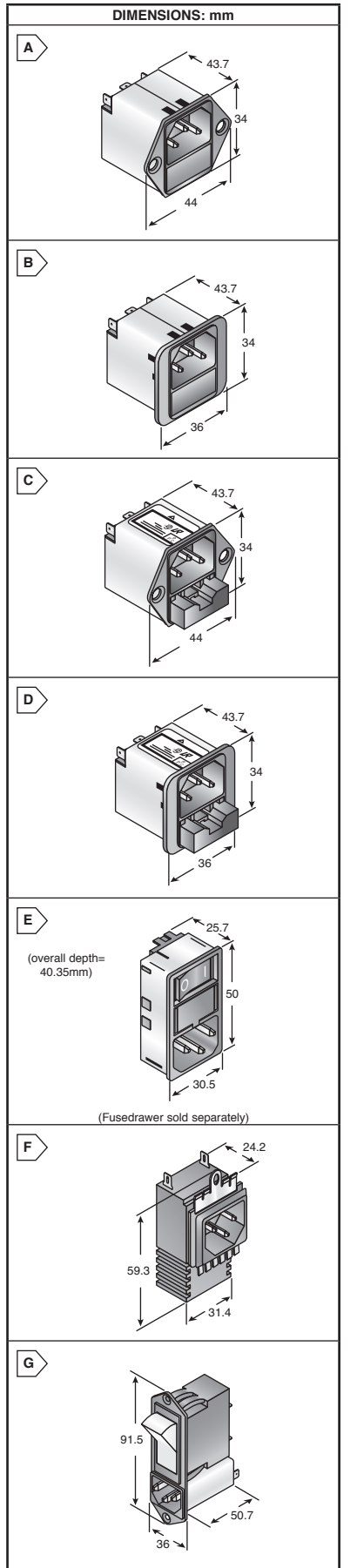
Specifications:

- For "cold" connections 70°C.
- Class I level of protection (with ground terminal); IEC320/C14
- Terminals: .250" quick connect
- Max. leakage current: Standard - <0.5mA; Medical - <5µA
- Medical units qualify for use in equipment with safety requirements according to IEC 601-1
- 5X20mm fuses sold separately



For quantities greater than listed, call for quote.

MOUSER STOCK NO.	Schurter Part No.	Fig.	Rated Current	Inductance	Mounting Type	Price Each		
						1	10	50
1-pole with Standard RFI Filter								
693-5200.0123.1	5200.0123.1	A	1A	11mH	Screw-on			
693-5200.0143.1	5200.0143.1	B	1A	11mH	Snap-in			
693-5200.0423.1	5200.0423.1	A	4A	1.6mH	Screw-on			
693-5200.0623.1	5200.0623.1	A	6A	0.7mH	Screw-on			
693-5200.0643.1	5200.0643.1	B	6A	0.7mH	Snap-in			
693-5200.1023.1	5200.1023.1	A	10A	0.4mH	Screw-on			
693-5200.1043.1	5200.1043.1	B	10A	0.4mH	Snap-in			
2-pole with Standard RFI Filter								
693-5220.0623.1	5220.0623.1	C	6A	0.7mH	Screw-on			
2-pole with Medical RFI Filter								
693-5220.0443.3	5220.0443.3	D	4A	1.6mH	Snap-in			
693-5220.0643.3	5220.0643.3	D	6A	0.7mH	Snap-in			
Accessories for 5200 and 5220 Series								
693-0888.0004	0888.0004	----	Cord retaining clamp for screw-on 5200 and 5220					



SCHURTER KMF SERIES: AC INLETS WITH RFI LINE FILTER, SWITCH EMC SHIELD, AND FUSEHOLDER

Specifications:

- For "cold" connections 70° C.
- Class I level of protection (with ground terminal); IEC320/C14
- Terminals: .187" quick connect
- DPST switch (On-Off)
- Snap-in mounting from front
- Medical units qualify for use in equipment with safety requirements according to IEC 601-1
- 5X20mm fuses sold separately
- Fusedrawers and casings must be ordered separately



For quantities greater than listed, call for quote.

MOUSER STOCK NO.	Schurter Part No.	Fig.	Rated Current	Inductance	Mounting Type	Price Each		
						1	10	50
Casing with Standard RFI Filter								
693-KMF1.1211.11	KMF1.1211.11	E	1A	11mH	1-pole			
693-KMF1.1261.11	KMF1.1261.11	E	6A	0.7mH	1-pole			
693-KMF1.1291.11	KMF1.1291.11	E	10A	0.4mH	1-pole			
693-KMF1.1111.11	KMF1.1111.11	E	1A	11mH	2-pole			
693-KMF1.1161.11	KMF1.1161.11	E	6A	0.7mH	2-pole			
693-KMF1.1191.11	KMF1.1191.11	E	10A	0.4mH	2-pole			
Casing with Medical RFI filter								
693-KMF1.1123.11	KMF1.1123.11	E	6A	0.7mH	2-pole			
693-KMF1.1193.11	KMF1.1193.11	E	10A	0.4mH	2-pole			
Fusedrawers for KMF Series								
693-4301.1405	4301.1405		Standard, 1-pole, black					
693-4301.1407	4301.1407		Medical, 1-pole, black					
693-4301.1401	4301.1401		Standard, 2-pole, black					
693-4301.1403	4301.1403		Medical, 2-pole, black					
693-4301.1413	4301.1413		Standard, 2-pole, black, with neutral side shorting bar					
693-4301.1415	4301.1415		Medical, 2-pole, black, with neutral side shorting bar					

SCHURTER GRF4 SERIES: AC INLETS WITH RFI LINE FILTER AND EMI SHIELD

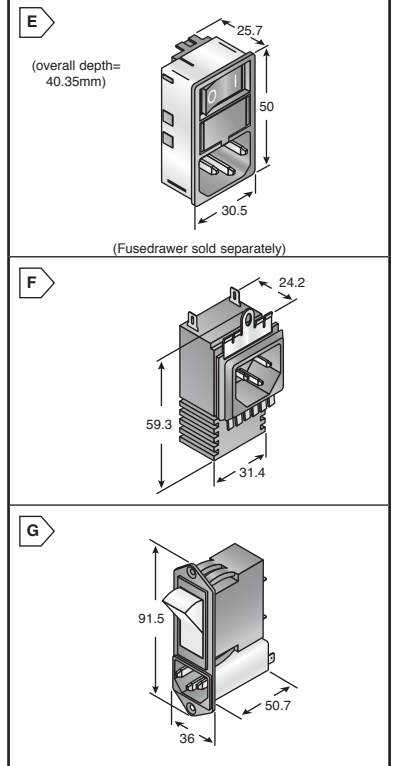
Specifications:

- For "cold" connections 70°C
- Class I level of protection (with ground terminal); IEC320/C14
- Terminals: .187" quick connect
- Max. leakage current: Standard - <0.5mA; Medical - <5µA
- Metal shield safeguards equipment against radiated EMI
- Snap-in design allows pre-wiring before mounting
- Flexible steel claws make multiple contact points on the panel to ensure shield integrity
- Medical units qualify for use in equipment with safety requirements according to IEC 601-1



For quantities greater than listed, call for quote.

MOUSER STOCK NO.	Schurter Part No.	Fig.	Rated Current	Inductance	Mounting Type	Price Each		
						1	10	50
With Medical RFI Filter								
693-GRF4.0029.013	GRF4.0029.013	F	15A	.075mH	Snap-in			



SCHURTER PEM45 SERIES: AC INLET WITH THERMAL CIRCUIT BREAKER AND RFI FILTER

Specifications:

- AC inlet according to IEC 60320/C14
- Manual reset 2-pole white rocker switch with embossed I/O legend
- IP40 degree of protection on front side
- Screw-on panel mount
- Max. leakage current: Standard - <0.5mA; Medical - <5µA
- Terminals: .250" quick connect

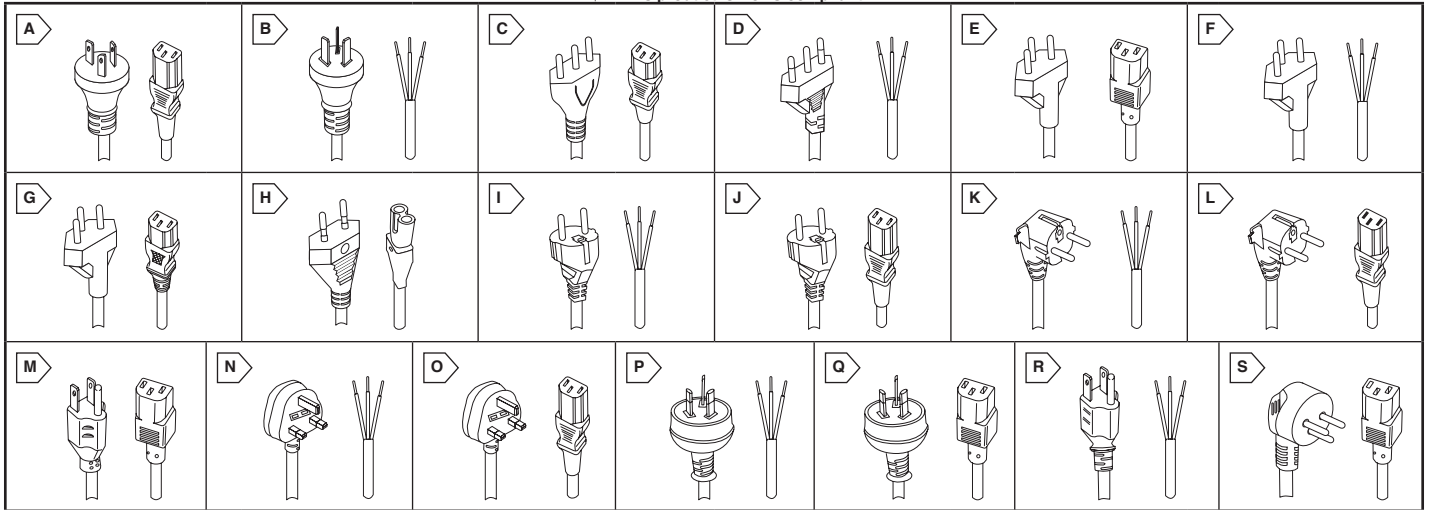


For quantities greater than listed, call for quote.

MOUSER STOCK NO.	Schurter Part No.	Fig.	Rated Current CB/Filter	Thermal Overload Protection	Filter Induction	Price Each		
						1	10	50
With Standard RFI Filter								
693-5-ABTWF050C0-511	5-ABTWF050C0-511	G	5A/6A	1-pole	0.7mH			
693-5-ABTWF150C0-811	5-ABTWF150C0-811	G	15A/15A	1-pole	0.1mH			
693-5-ABDWF050C0-511	5-ABDWF050C0-511	G	5A/6A	2-pole	0.7mH			
693-5-ABDWF150C0-811	5-ABDWF150C0-811	G	15A/15A	2-pole	0.1mH			
With Medical RFI Filter								
693-5-ABTWF050C0-531	5-ABTWF050C0-531	G	5A/6A	1-pole	0.7mH			
693-5-ABTWF150C0-831	5-ABTWF150C0-831	G	15A/15A	1-pole	0.1mH			
693-5-ABDWF050C0-531	5-ABDWF050C0-531	G	5A/6A	2-pole	0.7mH			
693-5-ABDWF150C0-831	5-ABDWF150C0-831	G	15A/15A	2-pole	0.1mH			

QUALTEK International Power Cords

RoHS Compliant This product is RoHS compliant.



ARGENTINA POWER CORD

- Features:**
- IRAM approval
 - CEE Color Code
 - Cordage Color - Black
 - Temp Rating: 70°C
 - Unshielded



For quantities greater than listed, call for quote.

MOUSER STOCK NO.	Qualtek Part No.	Fig.	Length	Cordage	No. of Cond. AWG	Amps 250V	Price Each		
							1	10	25
562-390002-01	390002-01	A	2.5M	H05VV-F	3x1.00mm	10			
562-390001-01	390001-01	B	2.5M	H05VV-F	3x1.00mm	10			

ITALY POWER CORD

- Features:**
- Italian Agency approval
 - CEE Color Code
 - Cordage Color - Black
 - Temp Rating: 70°C
 - Unshielded



For quantities greater than listed, call for quote.

MOUSER STOCK NO.	Qualtek Part No.	Fig.	Length	Cordage	No. of Cond. AWG	Amps 250V	Price Each		
							1	10	25
562-381002-D01	381002-D01	C	2.5M	H05VV-F	3x1.00mm	10			
562-380003-E01	380003-E01	D	2.5M	H05VV-F	3x1.00mm	10			
562-380007-01	380007-01	D	1.8M	H05VV-F	3x1.00mm	10			

SWITZERLAND POWER CORD

- Features:**
- Switzerland Swiss Agency approval
 - CEE Color Code
 - Cordage Color - Black
 - Temp Rating: 70°C
 - Unshielded



For quantities greater than listed, call for quote.

MOUSER STOCK NO.	Qualtek Part No.	Fig.	Length	Cordage	No. of Cond. AWG	Amps 250V	Price Each		
							1	10	25
562-378001-E01	378001-E01	E	2.5M	H05VV-F	3x1.00mm	10			
562-378005-01	378005-01	E	1.8M	H05VV-F	3x1.00mm	10			
562-377003-E01	377003-E01	F	2.5M	H05VV-F	3x1.00mm	10			
562-377009-01	377009-01	F	1.8M	H05VV-F	3x1.00mm	10			
562-378002-D01	378002-D01	G	2.5M	H05VV-F	3x1.00mm	10			

CONTINENTAL EUROPE POWER CORDS

- Features:**
- CEE Color Code
 - Approvals: Germany, Denmark, Norway, Finland, France, Belgium, Netherlands, Sweden
 - Temp Rating: 70°C
 - Unshielded
 - Cordage Color: Black



† Right Angle

For quantities greater than listed, call for quote.

MOUSER STOCK NO.	Qualtek Part No.	Fig.	Length	Cordage	No. of Cond. AWG	Amps 250V	Price Each		
							1	10	25
562-360007-01	360007-01	H	2.5M	H03VH2F	2x.075mm	2.5			
562-363012	363012-D01	I	2.5M	H05VV-F	3x1.00mm	10.0			
562-364002	364002-D01	J	2.5M	H05VV-F	3x1.00mm	10.0			
562-366042	366042-D01	K	2.5M	H05VV-F	3x1.00mm	10.0			
562-367003	367003-D01	L	2.5M	H05VV-F	3x1.00mm	10.0			

TAIWAN POWER CORD

- Features:**
- Taiwan Agency approval
 - CEE Color Code
 - Unshielded
 - Temp Rating: 70°C
 - Cordage Color - Black



For quantities greater than listed, call for quote.

MOUSER STOCK NO.	Qualtek Part No.	Fig.	Length	Cordage	No. of Cond. AWG	Amps 125V	Price Each		
							1	10	25
562-393001-01	393001-01	M	2.5M	VCTF	3x1.25mm	13			

JAPANESE POWER CORD

- Features:**
- Japanese PSE approval
 - CEE Color Code
 - Cordage Color - Black
 - Temp Rating: 70°C
 - Unshielded



For quantities greater than listed, call for quote.

MOUSER STOCK NO.	Qualtek Part No.	Fig.	Length	Cordage	No. of Cond. AWG	Amps 124V	Price Each		
							1	10	25
562-397002-01	397002-01	M	2.5M	VCTF	3x1.25mm	13			

UNITED KINGDOM POWER CORDS

- Features:**
- United Kingdom, BSI approval
 - CEE Color Code
 - Cordage Color - Black
 - Temp Rating: 70°C
 - Unshielded
 - Plug supplied with 13A Fuse



For quantities greater than listed, call for quote.

MOUSER STOCK NO.	Qualtek Part No.	Fig.	Length	Cordage	No. of Cond. AWG	Amps 250V	Price Each		
							1	10	25
562-369003	369003-E01	N	2.5M	H05VV-F	3x1.00mm	10.0			
562-369004-E01	369004-E01	N	2.5M	H05VV-F	3x1.50mm	16			
562-370001	370001-E01	O	2.5M	H05VV-F	3x1.00mm	10.0			

AUSTRALIAN POWER CORDS

- Features:**
- Australia, New Zealand approval
 - CEE Color Code
 - Cordage Color - Black
 - Temp Rating: 70°C
 - Unshielded



For quantities greater than listed, call for quote.

MOUSER STOCK NO.	Qualtek Part No.	Fig.	Length	Cordage	No. of Cond. AWG	Amps 125V	Price Each		
							1	10	25
562-373003-A01	373003-A01	P	2.5M	H05VV-F	3x1.00mm	10.0			
562-373008-01	373008-01	P	1.8M	H05VV-F	3x1.00mm	10			
562-374003-A01	374003-A01	Q	2.5M	H05VV-F	3x1.00mm	10.0			
562-374009-01	374009-01	Q	1.8M	H05VV-F	3x1.00mm	10			

BRAZIL POWER CORDS

- Features:**
- INMETRO, UCIEE approval
 - CEE Color Code
 - Cordage Color - Black
 - Temp Rating: 60°C
 - Unshielded



For quantities greater than listed, call for quote.

MOUSER STOCK NO.	Qualtek Part No.	Fig.	Length	Cordage	No. of Cond. AWG	Amps 250V	Price Each		
							1	10	25
562-392001-01	392001-01	R	2.5M	H05VV-F	3x1.00mm	10			

ISRAEL POWER CORDS

- Features:**
- Israel approved
 - CEE Color Code
 - Cordage Color - Black
 - Temp Rating: 70°C
 - Unshielded
 - Angled Plug



For quantities greater than listed, call for quote.

MOUSER STOCK NO.	Qualtek Part No.	Fig.	Length	Cordage	No. of Cond. AWG	Amps 250V	Price Each		
							1	10	25
562-398001-01	398001-01	S	2.5M	H05VV-F	3x1.00mm	10			
562-398002-01	398002-01	S	1.8M	H05VV-F	3x1.00mm	10			

MULTI-PURPOSE FILTERS

A compact filter providing noise suppression in industrial environments.



For quantities greater than listed, call for quote.

MOUSER STOCK NO.	Qualtek Part No.	Fig.	Circuit Diagram	Amp Rating	Dimensions: in.			Price Each		
					L	W	H	1	10	25
562-848-03/1	848-03/001	A	1	3	3.25	1.90	1.15			
562-848-06/2	848-06/002	A	1	6	3.75	2.06	1.54			
562-848-10/3	848-10/003	A	1	10	3.75	2.06	1.54			
562-848-20/4	848-20/004	A	2	20	5.25	3.40	1.54			
562-849-03/1	849-03/001	A	3	3	3.25	1.90	1.15			
562-849-10/3	849-10/003	A	3	10	3.75	2.06	1.54			
562-849-20/4	849-20/004	A	4	20	5.25	3.40	1.54			
562-850-03/1	850-03/001	A	5	3	3.25	1.90	1.15			
562-850-10/3	850-10/003	A	5	10	3.75	2.06	1.54			
562-850-20/4	850-20/004	A	6	20	5.25	3.40	1.54			

GENERAL PURPOSE COMMON MODE FILTERS

Designed to economically suppress line-to-ground interference and built to meet or exceed most international safety agency standards and requirements.

Specifications:

- Maximum leakage current each line-to-ground @ 115VAC 60Hz: .25mA; @ 250VAC 50Hz: .45mA
- Rated voltage: 115/250VAC
- Hipot rating (one minute) line-to-ground: 2250VDC; line-to-line: 1450VDC
- Operating frequency: 50-60Hz



Use Circuit Diagram 7

For quantities greater than listed, call for quote.

MOUSER STOCK NO.	Qualtek Part No.	Fig.	Inductance	Rated Current @ 250VAC	Dimensions: in.			Price Each		
					H	L	W	1	25	50
562-851-03/3	851-03/003	B	2.8mH	3A	.77	2.50	2.54			
562-851-03/4	851-03/004	C	2.8mH	3A	.77	2.50	1.33			
562-851-05/5	851-05/005	B	2.9mH	5A	.77	2.50	2.54			
562-851-05/6	851-05/006	C	2.9mH	5A	.77	2.50	1.33			
562-851-10/7	851-10/007	B	1.5mH	10A	1.18	2.50	2.54			
562-851-10/9	851-10/009	D	1.5mH	10A	1.18	2.77	3.10			
562-851-20/11	851-20/011	D	0.7mH	20A	1.15	2.77	3.37			

GENERAL PURPOSE IEC CONNECTOR FILTERS

Provide effective EMI suppression on line-to-ground (common mode) and low frequency line-to-line (differential mode) noise while saving space and reducing cost.

Specifications:

- Maximum leakage current each line-to-ground @ 115VAC 60Hz: .2mA; @ 250VAC 50Hz: .4mA
- Rated voltage: 115/250VAC
- Hipot rating (one minute) line-to-ground: 2250VDC; line-to-line: 1450VDC
- Operating frequency: 50-60Hz



Use Circuit Diagram 7

For quantities greater than listed, call for quote.

MOUSER STOCK NO.	Qualtek Part No.	Fig.	Inductance	Rated Current @ 250VAC	Dimensions: in.			Price Each		
					H	L	W	1	25	50
562-857-01/46	857-01/046	E	5mH	1A	.88	1.50	1.58			
562-857-03/47	857-03/047	E	2.3mH	3A	.88	1.67	1.58			
562-857-06/48	857-06/048	E	.6mH	6A	.88	1.67	1.68			
562-857-10/49	857-10/049	E	.18mH	10A	.88	1.55	1.99			

HIGH PERFORMANCE IEC CONNECTOR FILTERS

Provide effective EMI suppression of line-to-ground and low frequency line-to-line noise.

Specifications:

- Maximum leakage current each line-to-ground @ 115VAC 60Hz: .25mA; @ 250VAC 50Hz: .45mA
- Rated voltage: 115/250VAC
- Hipot rating (one minute) line-to-ground: 2250VDC; line-to-line: 1450VDC
- Operating frequency: 50-60Hz



Use Circuit Diagram 7

For quantities greater than listed, call for quote.

MOUSER STOCK NO.	Qualtek Part No.	Fig.	Inductance	Rated Current @ 250VAC	Dimensions: in.			Price Each		
					H	L	W	1	25	50
562-858-01/3	858-01/003	F	6.5mH	1A	.88	2.12	1.58			
562-858-03/7	858-03/007	F	2.5mH	3A	.88	2.12	1.58			
562-858-06/11	858-06/011	F	.8mH	6A	.88	2.12	1.58			
562-858-10/15	858-10/015	F	.2mH	10A	.88	2.12	1.58			

GENERAL PURPOSE FUSED IEC CONNECTOR FILTERS

Designed for one 5mm x 20mm fuse and a spare fuse with a safety interlock that prevents fuse removal with power cord inserted.

Specifications:

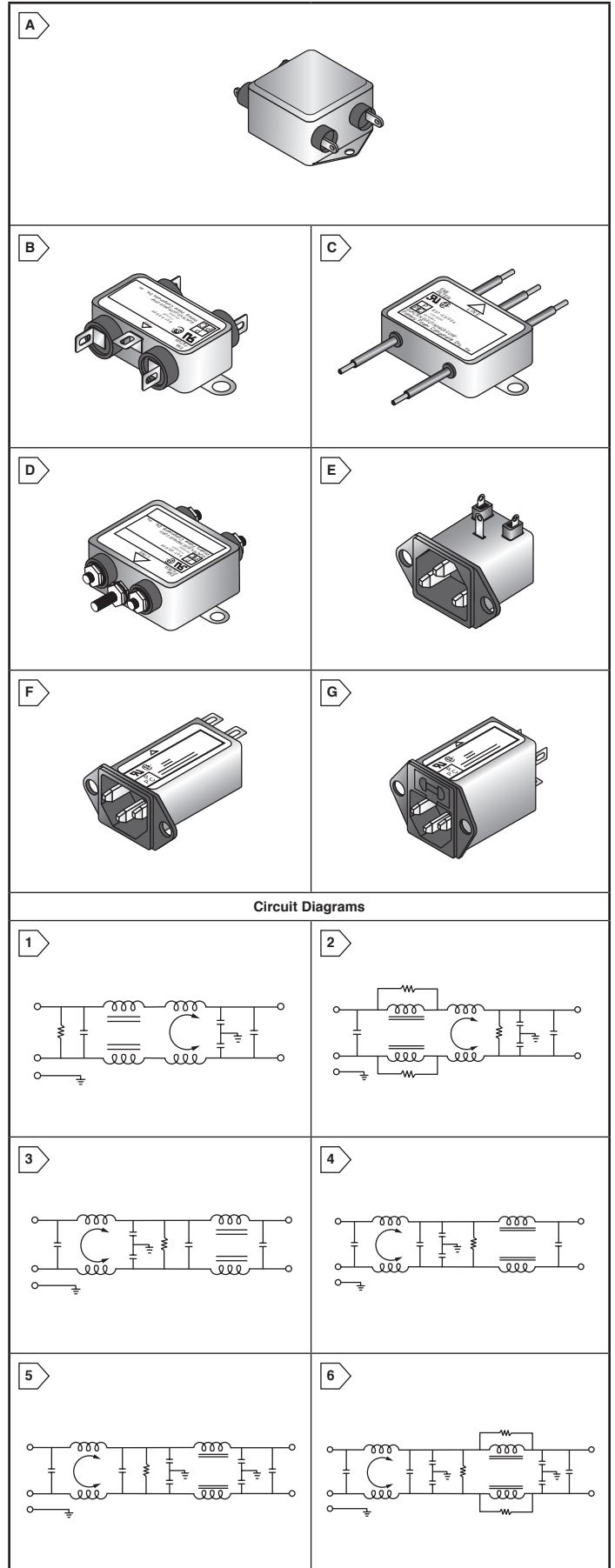
- Maximum leakage current each line-to-ground @ 115VAC 60Hz: .25mA; @ 250VAC 50Hz: .45mA
- Rated voltage: 115/250VAC
- Hipot rating (one minute) line-to-ground: 2250VDC; line-to-line: 1450VDC
- Operating frequency: 50-60Hz



Use Circuit Diagram 8

For quantities greater than listed, call for quote.

MOUSER STOCK NO.	Qualtek Part No.	Fig.	Inductance	Rated Current @ 250VAC	Dimensions: in.			Price Each		
					H	L	W	1	25	50
562-860-02/1	860-02/001	G	2.4mH	2A	1.29	2.54	1.73			
562-860-04/3	860-04/003	G	2.8mH	4A	1.29	2.23	1.73			
562-860-06/5	860-06/005	G	1.3mH	6A	1.29	2.54	1.73			



QUALTEK EMI Power Line Filters

862 SERIES MULTI-FUNCTION MODULE FILTERS

A multi-function power entry module filter that incorporates an IEC connector, a fuse holder with optional power on/off switch, and voltage selector switch.

- With IEC Connector
- With Fuse Holder



For quantities greater than listed, call for quote.

MOUSER STOCK NO.	Qualtek Part No.	Fig.	Electrical Schematic Fig.	Amp Rating 115-250	Dimensions: in.			Power Switch	Voltage Selector	Price Each		
					L	W	H			1	10	25
562-862-06/1	862-06/001	A	1	6	2.17	1.15	2.65	No	No			
562-862-06/2	862-06/002	A	1	6	2.17	1.15	2.65	SP	No			
562-862-06/3	862-06/003	A	2	6-4	2.17	1.15	2.65	DP	No			
562-862-06/7	862-06/007	A	3	6	2.17	1.15	2.65	No	Yes			

864 SERIES MULTI-FUNCTION MODULE FILTERS

Effectively suppress EMI noise, both line-to-ground (common mode) and line-to-line (differential mode) for general applications. Compact design provides significant savings in space and cost compared with individual components.

Note: 5 x 20mm Fuse sold separately

Specifications:

- Maximum leakage current each line-to-ground @ 115VAC 60Hz: .25mA @ 250VAC 50Hz: .45mA
- Rated voltage: 115/250VAC
- Hipot rating (one minute) line-to-ground: 2250VDC; line-to-line: 1450VDC
- Operating frequency: 50-60Hz



For quantities greater than listed, call for quote.

MOUSER STOCK NO.	Qualtek Part No.	Fig.	Electrical Schematic Fig.	Inductance	Rated Current @ 250VAC	Dimensions: in.			Price Each		
						L	W	H	1	25	50
562-864-03/1	864-03/001	B	4	8.0mH	3A	3.51	1.12	2.58			
562-864-03/3	864-03/003	B	4	8.0mH	3A	3.51	1.12	2.58			
562-864-06/5	864-06/005	B	4	2.5mH	6A	3.51	1.12	2.58			
562-864-06/7	864-06/007	B	4	2.5mH	6A	3.51	1.12	2.58			
562-864-10/9	864-10/009	B	4	1.6mH	10A	3.51	1.12	2.58			
562-864-10/11	864-10/011	B	4	1.6mH	10A	3.51	1.12	2.58			

880 SERIES MULTI-FUNCTION MODULE FILTERS

A multi-function power entry module filter that incorporates an IEC connector, double pole power switch, voltage selector switch, and optional single or double fuse holder (5 x 20) offering space savings.

- With IEC Connector
- Voltage Selector: No
- Power Switch: DP (UL/CSA 125/250 VAC 10A VDE 250VAC 4A)



For quantities greater than listed, call for quote.

MOUSER STOCK NO.	Qualtek Part No.	Fig.	Electrical Schematic Fig.	Amp Rating 115-250	Dimensions: in.			Fuse Holder	Price Each		
					L	W	H		1	10	25
562-880-01/1	880-01/001	C	5	1	2.46	1.13	2.59	Double			
562-880-01/4	880-01/004	C	6	1	2.46	1.13	2.59	Single			
562-880-03/2	880-03/002	C	5	3	2.46	1.13	2.59	Double			
562-880-03/5	880-03/005	C	6	3	2.46	1.13	2.59	Single			
562-880-06/3	880-06/003	C	5	6	2.46	1.13	2.59	Double			
562-880-06/6	880-06/006	C	6	6	2.46	1.13	2.59	Single			

882 SERIES COMPACT SNAP-IN MULTI-FUNCTION MODULE FILTERS

- With IEC Connector
- Power Switch: DP
- Voltage Selector: Yes



For quantities greater than listed, call for quote.

MOUSER STOCK NO.	Qualtek Part No.	Fig.	Electrical Schematic Fig.	Amp Rating 115-250	Dimensions: in.			Fuse Holder	Price Each		
					L	W	H		1	10	25
562-882-03/1	882-03/001	D	7	3/3	2.17	1.26	2.28	Double			
562-882-03/3	882-03/003	D	7	3/3	2.17	1.26	2.28	Single			
562-882-06/11	882-06/011	D	7	6/6	2.17	1.26	2.28	Double			
562-882-06/13	882-06/013	D	7	6/6	2.17	1.26	2.28	Single			
562-882-10/16	882-10/016	D	7	10/6	2.17	1.26	2.28	Double			
562-882-10/18	882-10/018	D	7	10/6	2.17	1.26	2.28	Single			

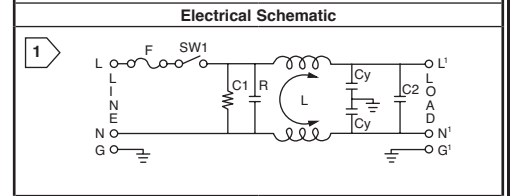
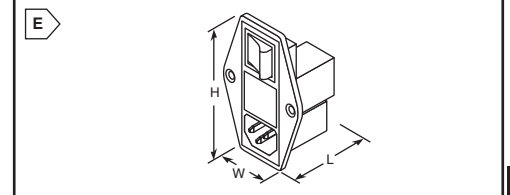
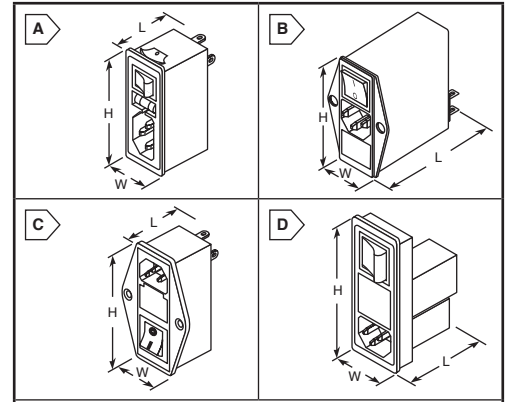
883 SERIES COMPACT SCREW MOUNT MULTI-FUNCTION MODULE FILTERS

- With IEC Connector
- Power Switch: DP
- Voltage Selector: Yes

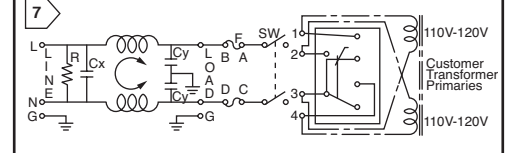
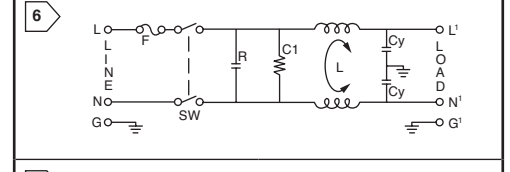
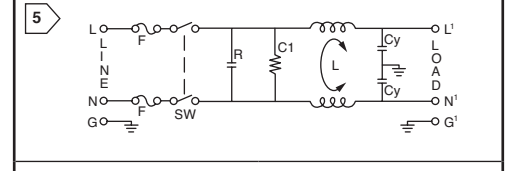
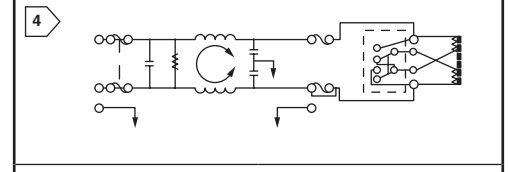
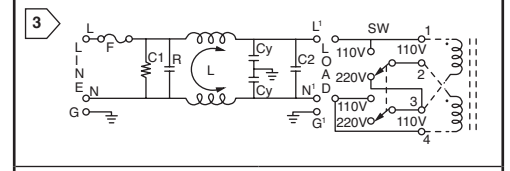
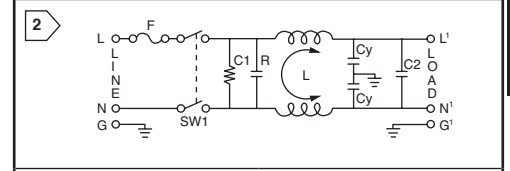
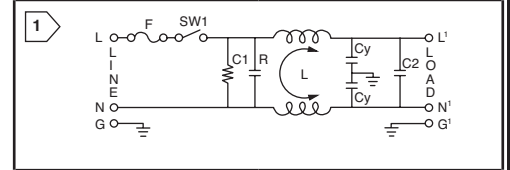


For quantities greater than listed, call for quote.

MOUSER STOCK NO.	Qualtek Part No.	Fig.	Electrical Schematic Fig.	Amp Rating 115-250	Dimensions: in.			Fuse Holder	Price Each		
					L	W	H		1	10	25
562-883-03/1	883-03/001	E	7	3/3	2.17	1.10	2.28	Double			
562-883-03/3	883-03/003	E	7	3/3	2.17	1.10	2.28	Single			
562-883-06/11	883-06/011	E	7	6/6	2.17	1.10	2.28	Double			
562-883-06/13	883-06/013	E	7	6/6	2.17	1.10	2.28	Single			
562-883-10/16	883-10/016	E	7	10/6	2.17	1.10	2.28	Double			
562-883-10/18	883-10/018	E	7	10/6	2.17	1.10	2.28	Single			



Electrical Schematic



AC Power Connectors Qualtek

SWITCHCRAFT Power Plugs and Jacks



This product is RoHS compliant.

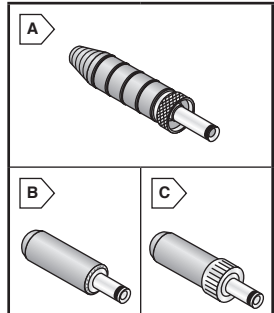
Switchcraft
Harsh Environment Connectivity Solutions
A HEICO Company

MINIATURE SEALED POWER PLUGS

- IP rating of IP66, IP67, IP68/Nema 250 (6P) when mated
- Locking ring provides security in critical applications
- Sleeve terminal serves as cord clamp
- Handle/Boot with cable strain relief
- Plug sleeve and pin: Plated copper alloy
- Handle: Rigid thermoplastic overmolded with thermoplastic elastomer
- Lock ring: Plated copper alloy
- Lock ring thread size: 7/16-32 UN2B
- Handle thread size: 5/16-24 UNF 2A
- Rated current: 5 Amps
- Rated Voltage: Up to 30VDC

For quantities greater than listed, call for quote.

MOUSER STOCK NO.	Switchcraft Part No.	Fig.	Pin Size (In./mm)	Mating Jack	Description	Price Each			
						1	5	10	50
502-761KS12	761KS12	A	.100"/2.5	L712AS, L712RAS, PCL712S	Black Tip, .125-.150" Cable O.D.				
502-761KS15	761KS15	A	.100"/2.5	L712AS, L712RAS, PCL712S	Black Tip, .150-.175" Cable O.D.				
502-761KS17	761KS17	A	.100"/2.5	L712AS, L712RAS, PCL712S	Black Tip, .175-.200" Cable O.D.				
502-S761KS12	S761KS12	A	.08"/2.0	L722AS, L722RAS, PCL722S	White Tip, .125-.150" Cable O.D.				
502-S761KS15	S761KS15	A	.08"/2.0	L722AS, L722RAS, PCL722S	White Tip, .150-.175" Cable O.D.				
502-S761KS17	S761KS17	A	.08"/2.0	L722AS, L722RAS, PCL722S	White Tip, .175-.200" Cable O.D.				
502-767KS12	767KS12	A	.084"/2.1	L722AS, L722RAS, PCL722S	Red Tip, .125-.150" Cable O.D.				
502-767KS15	767KS15	A	.084"/2.1	L722AS, L722RAS, PCL722S	Red Tip, .150-.175" Cable O.D.				
502-767KS17	767KS17	A	.084"/2.1	L722AS, L722RAS, PCL722S	Red Tip, .175-.200" Cable O.D.				



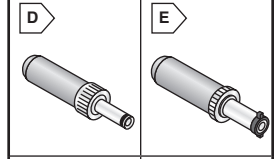
MINIATURE POWER PLUGS

Non-Locking Plugs

- Plug Sleeve and pin: Nickel-plated copper alloy
- Locking: Nickel-plated copper alloy
- Locking Thread Size: 5/16 - 32 UNEF 2B
- Rated Current: 5 Amps
- Pin Length: 0.375"/9.5mm
- Molded Plastic Handle

For quantities greater than listed, call for quote.

MOUSER STOCK NO.	Switchcraft Part No.	Fig.	Pin Size (In./mm)	Mating Jack	Description	Price Each			
						1	10	25	50
502-S-760	S760	B	.080"/2.0	722A, RAPC722X, PC722A	White Tip, Black Handle				
502-762	762	B	.084"/2.1	Any 2.1 mm Jack and 722A, 722RA, PC722A	Red Tip, Black Handle				
502-763	763	B	.084"/2.1	Any 2.1 mm Jack and 722A, 722RA, PC722A	Red Tip, Red Handle				
502-760	760	B	.100"/2.5	712A, RAPC712X, RASH712X, RASM712X, PC712A	Black Tip, Black Handle				
502-765	765	B	.100"/2.5	712A, RAPC712X, RASH712X, RASM712X, PC712A	Black Tip, Red Handle				

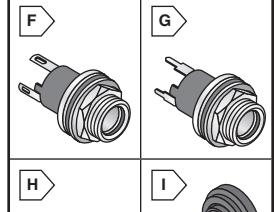


Locking Plugs

*Pin Length: 0.475"/12.1mm

For quantities greater than listed, call for quote.

MOUSER STOCK NO.	Switchcraft Part No.	Fig.	Pin Size (In./mm)	Mating Jack	Description	Price Each			
						1	10	25	50
502-S760K	S760K	C	.080"/2.0	722A, PC722A, L722A	Black Tip, Black Handle				
502-S761K	S761K	D	.080"/2.0	722A, PC722A, L722A	Black Tip, Black Handle				
502-S760BK	S760BK	E	.080"/2.0	RAPC722BK, RASH722BK	White Locking Tip, Black Handle				
502-762K	762K	C	.084"/2.1	Only 722A, 722RA, PC722A	Red Tip, Black Handle				
502-763K	763K	C	.084"/2.1	Only 722A, 722RA, PC722A	Red Tip, Red Handle				
502-767K	767K	D	.084"/2.1	Only L722A, L722RA, PCL722A	Red Tip, Black Handle				
502-768K	768K	D	.084"/2.1	Only L722A, L722RA, PCL722A	Red Tip, Red Handle				
502-760K	760K	C	.100"/2.5	712A, PC712A	Black Tip, Black Handle				
502-760BK	760BK	E	.100"/2.5	RAPC712BK, RASH722BK	Black Locking Tip, Black Handle				
502-761K	761K	D	.100"/2.5	L712A, L712PA, PCL712A	Black Tip, Black Handle				

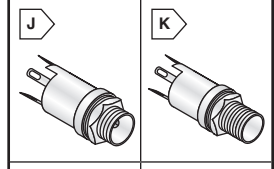


MINIATURE SEALED POWER JACKS

- IP rating of IP66, IP67, IP68/Nema 250 (6P) when mated
- Automatic switch over from AC to DC permitted by sleeve shunt spring
- Split center pin shaped to hold mating plug firmly
- Optional IP rated cap (JCAP) protects jack when not in use
- Housing Material: Rigid Thermoplastic
- Bushing material: Plated copper alloy
- Jack Hardware: Supplied with one nickel plated copper alloy hex nut (P1489), one nickel plated steel flat washer (P3031) and one o-ring for sealing jack to panel
- Terminals: Plated copper alloy
- Insulators: Rigid thermoplastic
- Rated current: 5 Amps
- Rated Voltage: Up to 30VDC
- JCAP Material: Thermoplastic elastomer

For quantities greater than listed, call for quote.

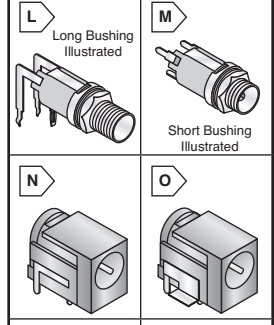
MOUSER STOCK NO.	Switchcraft Part No.	Fig.	Pin Size (In./mm)	Mating Plug	Description	Price Each			
						1	10	25	50
502-L712AS	L712AS	F	.100"/2.5	761KS12, 761KS15, 761KS18	Solder Lug				
502-PCL712AS	PCL712AS	G	.100"/2.5	761KS12, 761KS15, 761KS18	Straight PC Terminal				
502-L712RAS	L712RAS	F	.100"/2.5	761KS12, 761KS15, 761KS18	Right Angle PC Terminal				
502-L722AS	L722AS	H	.080"/2.0	S761KS12, S761KS15, S761KS18, 767KS12, 767KS15, 767KS18	Solder Lug				
502-PCL722AS	PCL722AS	G	.080"/2.0	S761KS12, S761KS15, S761KS18, 767KS12, 767KS15, 767KS18	Straight PC Terminal				
502-L722RAS	L722RAS	H	.080"/2.0	S761KS12, S761KS15, S761KS18, 767KS12, 767KS15, 767KS18	Right Angle PC Terminal				
502-JCAP	JCAP	I	-	-	Power Jack Seal Cap				



STRAIGHT MINIATURE POWER JACKS

For quantities greater than listed, call for quote.

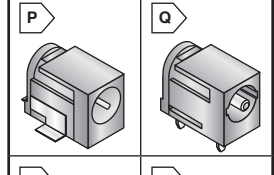
MOUSER STOCK NO.	Switchcraft Part No.	Fig.	Pin Size (In./mm)	Mating Plug	Description	Price Each			
						1	10	25	50
502-712A	712A	J	.100"/2.5	760	Solder lug				
502-L712A	L712A	K	.100"/2.5	761K	Solder lug, long bushing				
502-712RA	712RA	L	.100"/2.5	760	Right angle, pc terminal				
502-L712RA	L712RA	L	.100"/2.5	761K	Right angle, pc terminal, long bushing				
502-PC712A	PC712A	M	.100"/2.5	760	Straight pc terminal				
502-PCL712A	PCL712A	M	.100"/2.5	761K	PC Terminal, long bushing				
502-722A	722A	J	.080"/2.0	S760	Solder lug				
502-L722A	L722A	K	.080"/2.0	S761K	Solder lug, long bushing				
502-722RA	722RA	L	.080"/2.0	S760	Right angle, pc terminal				
502-L722RA	L722RA	L	.080"/2.0	S761K	Right angle, pc terminal, long bushing				
502-PC722A	PC722A	M	.080"/2.0	S760	Straight pc terminal				
502-PCL722A	PCL722A	M	.080"/2.0	S761K	PC Terminal, long bushing				
502-732A	732A	J	.050"/1.25	860	Solder lug				
502-2C1072	2C1072	-	-	-	Jack Cover for 712A and 722A				



RIGHT ANGLE MINIATURE POWER JACKS

For quantities greater than listed, call for quote.

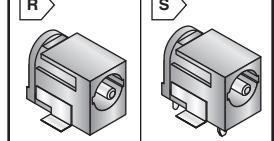
MOUSER STOCK NO.	Switchcraft Part No.	Fig.	Pin Size (In./mm)	Mating Plug	Description	Price Each			
						1	10	25	50
502-RAPC712X	RAPC712X	N	.100"/2.5	760, 765	PC mount				
502-RASH712X	RASH712X	O	.100"/2.5	760, 765	Hybrid mount (PC & SMT)				
502-RAPC722X	RAPC722X	N	.080"/2.0	S760	PC mount				
502-RASH722X	RASH722X	O	.080"/2.0	S760	Hybrid mount (PC & SMT)				
502-RASM712X	RASM712X	P	.100"/2.5	760, 765	Surface Mount (SMT)				
502-RASM-712PX	RASM712PX	O	.100"/2.5	760, 765	Surface Mount, Locating Post (SMT)				
502-RASM722X	RASM722X	P	.080"/2.0	S760	Surface Mount (SMT)				
502-RASM722PX	RASM722PX	P	.080"/2.0	S760	Surface Mount, Locating Post (SMT)				



LOCKING RIGHT ANGLE JACKS

For quantities greater than listed, call for quote.

MOUSER STOCK NO.	Switchcraft Part No.	Fig.	Pin Size (In./mm)	Mating Plug	Description	Price Each			
						1	10	25	50
502-RAPC712BK	RAPC712BK	Q	.100"/2.5	760BK	PC mount				
502-RAPC722BK	RAPC722BK	Q	.080"/2.0	S760BK	PC mount				
502-RASM712BK	RASM712BK	R	.100"/2.5	760BK	Surface mount (SMT)				
502-RASM722BK	RASM722BK	R	.080"/2.0	S760BK	Surface mount (SMT)				
502-RASH712BK	RASH712BK	S	.100"/2.5	760BK	Hybrid mount (PC & SMT)				
502-RASH722BK	RASH722BK	S	.080"/2.0	S760BK	Hybrid mount (PC & SMT)				



MOUNTING HARDWARE

For quantities greater than listed, call for quote.

For quantities greater than listed, call for quote.

MOUSER STOCK NO.	Switchcraft Part No.	Description	Size (in.)	Price Each				MOUSER STOCK NO.	Switchcraft Part No.	Description	Size (in.)	Price Each			
				1	10	25	50					1	10	25	50
502-P2439	P2439	Hex Nut, Nickel Plated	5/16-32					502-S4263	S4263	Washer, Insulating w/ Shoulder	1/2 x 5/16				
502-P1489	P1489	Hex Nut, Nickel Plated	7/16-32					502-S-1029	S1029	Washer, Fiber w/ Shoulder	5/8 x 3/8				
502-P2441	P2441	Washer, Flat Nickel Plated	13/32 x 5/16					502-S-1028	S1028	Washer, Rigid Plastic (Brown)	5/8 x 3/8				
502-P3031	P3031	Washer, Flat Nickel Plated	5/8 x 7/16					502-S2207	S2207	Washer, Rigid Plastic	7/16 x 9/32				
502-P2442	P2442	Washer, Phenolic w/ Shoulder	1/2 x 5/16												

Switchcraft DC Power Connectors

JOHNSON Banana Plugs and Jacks, Binding Posts Johnson®

RoHS Compliant This product is RoHS compliant.

BANANA PLUGS

For quantities greater than listed, call for quote.

MOUSER STOCK NO.	Johnson Components Part No.	Fig.	Color	Amps	Max. Wire	Price Each					
						1	10	25	100	500	1000
Insulated Side Set Screw Solderless											
530-108-1702-101	108-1702-101	A	Red	15	16AWG						
530-108-1703-101	108-1703-101	A	Black	15	16AWG						
Insulated Solderless Tapered Handle											
530-108-0302-1	108-0302-001	B	Red	15	16AWG						
530-108-0303-1	108-0303-001	B	Black	15	16AWG						
530-108-0301-1	108-0301-001	B	White	15	16AWG						
530-10803041	108-0304-001	B	Green	15	16AWG						
530-108-0306-1	108-0306-001	B	Orange	15	16AWG						
530-108-0307-1	108-0307-001	B	Yellow	15	16AWG						
530-108-0308-1	108-0308-001	B	Brown	15	16AWG						
530-108-0310-1	108-0310-001	B	Blue	15	16AWG						
530-108-0312-1	108-0312-001	B	Violet	15	16AWG						
530-108-0313-1	108-0313-001	B	Gray	15	16AWG						
Insulated Hex Body Solder Long Handle											
530-108-0752-2	108-0752-002	C	Red	15	16AWG						
530-108-0752-1	108-0752-001	C	Black	15	16AWG						
Insulated Round Body Solder Stud											
530-108-1723-101	108-1723-101	D	Black	15	16AWG						
530-108-1722-101	108-1722-101	D	Red	15	16AWG						
530-108-1722-103	108-1722-103	D	Red	15	16AWG						
Insulated Stacking Single											
530-108-1082-1	108-1082-001	E	Red	15	16AWG						
530-108-1083-1	108-1083-001	E	Black	15	16AWG						
530-108-1081-1	108-1081-001	E	White	15	16AWG						
Dual-Insulated Stacking Set Screw											
530-108-0252-1	108-0252-001	F	Red	15	14AWG						
530-108-0253-1	108-0253-001	F	Black	15	14AWG						
Uninsulated Panel .375" Threaded Stud											
530-108-0750-1	108-0750-001	G	Nickel	15	14AWG						
Uninsulated Panel Screw Type											
530-108-0753-1	108-0753-001	H	Silver	15	14AWG						
Miniature-Insulated Solder Type											
530-108-1002-1	108-1002-001	I	Red	10	18AWG						
530-108-1003-1	108-1003-001	I	Black	10	18AWG						

BANANA JACKS

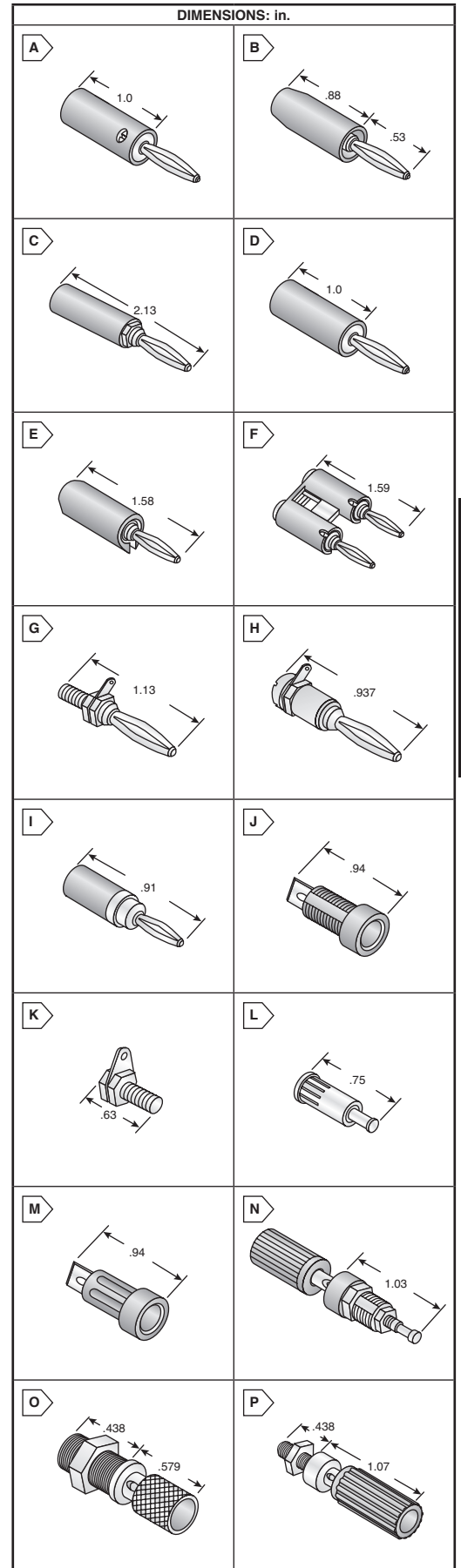
For quantities greater than listed, call for quote.

MOUSER STOCK NO.	Johnson Components Part No.	Fig.	Color	Amps	Max. Wire	Price Each					
						1	10	25	100	500	1000
Insulated Solder Terminal											
530-108-0902-1	108-0902-001	J	Red	15	16AWG						
530-108-0903-1	108-0903-001	J	Black	15	16AWG						
530-108-0901-1	108-0901-001	J	White	15	16AWG						
530-1080904-1	108-0904-001	J	Green	15	16AWG						
530-108-0906-1	108-0906-001	J	Orange	15	16AWG						
530-108-0907-1	108-0907-001	J	Yellow	15	16AWG						
530-108-0908-1	108-0908-001	J	Brown	15	16AWG						
530-108-0910-1	108-0910-001	J	Blue	15	16AWG						
530-108-0912-1	108-0912-001	J	Violet	15	16AWG						
530-108-0913-1	108-0913-001	J	Grey	15	16AWG						
Uninsulated Solder Terminal											
530-108-0740-1	108-0740-001	K	Nickel	15	12AWG						
Miniature-Insulated Rib-Loc® Turret Terminal											
530-108-1102-1	108-1102-001	L	Red	10	- - -						
Insulated Rib-Loc® Solder Terminal											
530-108-2301-1	108-2301-801	M	White	15	16AWG						
530-108-2302-1	108-2302-801	M	Red	15	16AWG						

BINDING POSTS

For quantities greater than listed, call for quote.

MOUSER STOCK NO.	Johnson Components Part No.	Fig.	Color	Amps	Panel Thickness	Price Each					
						1	10	25	100	500	1000
Insulated Standard											
530-111-0102-1	111-0102-001	N	Red	15	up to .281						
530-111-0103-1	111-0103-001	N	Black	15	up to .281						
530-111-0101-1	111-0101-001	N	White	15	up to .281						
530-111-0104-1	111-0104-001	N	Green	15	up to .281						
530-111-0107-1	111-0107-001	N	Yellow	15	up to .281						
530-111-0110-1	111-0110-001	N	Blue	15	up to .281						
Uninsulated Grounded Type											
530-111-2223-001	111-2223-001	O	Nickel	15	up to .281						
Insulated Grounded Type											
530-111-0702-001	111-0702-001	P	Red	15	up to .313						
530-111-0703-001	111-0703-001	P	Black	15	up to .313						



Audio/Video Connectors

Johnson Components

TIP PLUGS

Insulated Solderless Type

For quantities greater than listed, call for quote.

MOUSER STOCK NO.	Johnson Components Part No.	Fig.	Amp	Max Wire	Color	Price Each					
						1	10	25	100	500	1000
530-105-0302-1	105-0302-001	A	10	16AWG	Red						
530-105-0303-1	105-0303-001	A	10	16AWG	Black						
530-105-0301-1	105-0301-001	A	10	16AWG	White						
530-105-0304-1	105-0304-001	A	10	16AWG	Green						
530-105-0310-1	105-0310-001	A	10	16AWG	Blue						

Insulated Small Handle Type

For quantities greater than listed, call for quote.

530-105-0772-1	105-0772-001	B	10	16AWG	Red						
530-105-0773-1	105-0773-001	B	10	16AWG	Black						

TIP JACKS

Insulated Metal Clad Standard Type

For quantities greater than listed, call for quote.

MOUSER STOCK NO.	Johnson Components Part No.	Fig.	Amp	Panel Thickness	Color	Price Each					
						1	10	25	100	500	1000
530-105-0251-1	105-0251-001	C	10	Up to .281"	White						
530-105-0252-1	105-0252-001	C	10	Up to .281"	Red						
530-105-0253-1	105-0253-001	C	10	Up to .281"	Black						
530-105-0201-200	105-0201-200	C	10	Up to .281"	White						
530-105-0202-200	105-0202-200	C	10	Up to .281"	Red						
530-105-0203-200	105-0203-200	C	10	Up to .281"	Black						
530-105-0204-200	105-0204-200	C	10	Up to .281"	Green						

Insulated Standard

For quantities greater than listed, call for quote.

530-105-0802-1	105-0802-001	D	10	Up to .437"	Red						
530-105-0803-1	105-0803-001	D	10	Up to .437"	Black						
530-105-0801-1	105-0801-001	D	10	Up to .437"	White						
530-105-0804-1	105-0804-001	D	10	Up to .437"	Green						
530-105-0807-1	105-0807-001	D	10	Up to .437"	Yellow						
530-105-0810-1	105-0810-001	D	10	Up to .437"	Blue						

Insulated Standard Rib-Loc®

For quantities greater than listed, call for quote.

530-105-1042-1	105-1042-001	E	5	Up to .375"	Red						
530-105-1043-1	105-1043-001	E	5	Up to .375"	Black						
530-105-1041-1	105-1041-001	E	5	Up to .375"	White						
530-105-1044-1	105-1044-001	E	5	Up to .375"	Green						
530-105-1047-1	105-1047-001	E	5	Up to .375"	Yellow						
530-105-1050-1	105-1050-001	E	5	Up to .375"	Blue						

Insulated Deluxe

For quantities greater than listed, call for quote.

530-105-0602-1	105-0602-001	F	10	Up to .437"	Red						
530-105-0603-1	105-0603-001	F	10	Up to .437"	Black						
530-105-0601-1	105-0601-001	F	10	Up to .437"	White						
530-105-0604-1	105-0604-001	F	10	Up to .437"	Green						
530-105-0607-1	105-0607-001	F	10	Up to .437"	Yellow						
530-105-0610-1	105-0610-001	F	10	Up to .437"	Blue						

TEST JACKS

Horizontal Insulated Standard

For quantities greater than listed, call for quote.

MOUSER STOCK NO.	Johnson Components Part No.	Fig.	Amp	Pin Spacing	Color	Price Each					
						1	10	25	100	500	1000
530-105-0751-1	105-0751-001	G	5	.400"	White						
530-105-0752-1	105-0752-001	G	5	.400"	Red						
530-10507531	105-0753-001	G	5	.400"	Black						
530-105-0754-1	105-0754-001	G	5	.400"	Green						
530-105-0757-1	105-0757-001	G	5	.400"	Yellow						
530-105-0756-1	105-0756-001	G	5	.400"	Orange						
530-105-0758-1	105-0758-001	G	5	.400"	Brown						
530-105-0760-1	105-0760-001	G	5	.400"	Blue						
530-105-0762-1	105-0762-001	G	5	.400"	Violet						
530-105-0763-1	105-0763-001	G	5	.400"	Gray						

Horizontal Insulated Miniature

For quantities greater than listed, call for quote.

530-105-1101-1	105-1101-001	H	5	.200"	White						
530-105-1102-1	105-1102-001	H	5	.200"	Red						
530-105-1103-1	105-1103-001	H	5	.200"	Black						
530-105-1104-1	105-1104-001	H	5	.200"	Green						
530-105-1107-1	105-1107-001	H	5	.200"	Yellow						
530-105-1110-1	105-1110-001	H	5	.200"	Blue						

Vertical Insulated - Machined Contact

For quantities greater than listed, call for quote.

530-105-0851-1	105-0851-001	I	5	---	White						
530-105-0852-1	105-0852-001	I	5	---	Red						
530-105-0853-1	105-0853-001	I	5	---	Black						

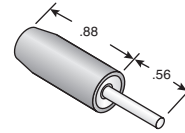
Vertical Insulated - Formed Contact

For quantities greater than listed, call for quote.

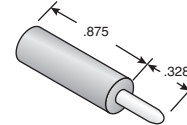
530-105-2201-1	105-2201-201	J	5	---	White						
530-105-2202-1	105-2202-201	J	5	---	Red						
530-105-2203-1	105-2203-201	J	5	---	Black						

DIMENSIONS: in.

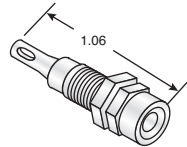
A



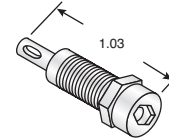
B



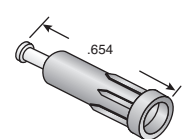
C



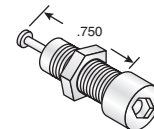
D



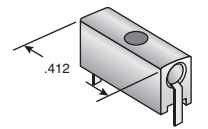
E



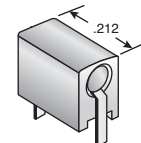
F



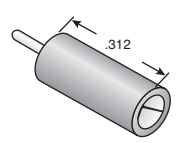
G



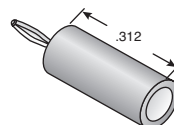
H



I



J



VIDEO BROADCAST

For quantities greater than listed, call for quote.

MOUSER STOCK NO.		Fig.	Description	Price Each		
Mfr.	Mfr. Part No.			1	25	50
75 Ohm Digital BNC Connectors						
565—6705		A	BNC (F/F) Isolated Panel Connector for Digital Video			
75 Ohm BNC Connectors and Adapters						
565—6752A		B	BNC (m) Crimp for RG59, 59A, 59B, 62, 210 cable			
565—6746A		C	BNC (m) Comp Style, field inst, for RG59, 59A, 59B, 62, 210 cable			
75 Ohm BNC Within Series Adapters						
565—6738		D	BNC (f/f/f) Adapter			
565—6739		E	BNC (f/m/f) Adapter			
565—6754		F	BNC (f/m/f) Adapter, In-line			
565—6740		G	BNC (m/m) Adapter			
565—6737		H	BNC (f/f) Adapter			
565—6744		I	BNC (f/f) Panel Mount, Hermetically Sealed Adapter			
75 Ohm BNC Panel Receptacles						
565—6736		J	BNC (f) Panel Receptacle, 0.50 in. (13.46mm) hole spacing			
565—6735		K	BNC (m) Panel Receptacle, 0.50 in. (13.46mm) hole spacing			
75 Ohm BNC Female PCB Mount						
565—6748		L	BNC (f) PCB Mount, Right Angle			
565—6747		M	BNC (f) PCB Mount, Vertical			
565—6718		N	BNC (f) PCB Mount, Dual Right Angle, White Valox			
75 Ohm BNC Bulkhead Receptacles						
565—6745		O	BNC (f) Bulkhead Receptacle, 75 Ohm			
565—6741		O	BNC (f) Bulkhead Receptacle, Isolated Ground, 75 Ohm			
75 Ohm BNC Terminators, Dust Cap, Shorting Cap						
565—4391-75		P	BNC 75 Ohm Attenuator			
565—384075		Q	BNC Male Terminator Plug, 75 Ohm			
565—4119-75		R	BNC Feed-Thru Termination, 75 Ohm			
565—5085		S	BNC Shorting Cap			
565—3839		S	BNC Dust Cap			

75 OHM BETWEEN SERIES ADAPTER

For quantities greater than listed, call for quote.

MOUSER STOCK NO.		Fig.	Description	Price Each		
Mfr.	Mfr. Part No.			1	25	50
565—6779		T	BNC (m) 75 Ohm / F (f)			
565—6780		U	BNC (f) 75 Ohm / F (f)			
565—6781		V	BNC (f) 75 Ohm / F (m)			
565—6782		W	BNC (m) 75 Ohm / F (m)			
565—5319		X	BNC Female to Phono Plug			
565—4054		Y	BNC Male to Phono Jack			
565—1297		Z	BNC Female to 1/4in (6.35mm) Phone Plug			
565—3837		AA	BNC Female to Two Conductor, 0.14in (3.5mm) Dia. Tini Plug			
565—4043		BB	BNC Male to 1/4in (6.35mm) Two Conductor Phone Jack			
565—6519		CC	BNC Female to Mini-WECO Plug Adapter			
565—5008		CC	BNC Female to Standard WECO Plug Adapter			
565—4719		DD	BNC Female to Bantam Plug Adapter			

75 OHM CABLE ASSEMBLIES

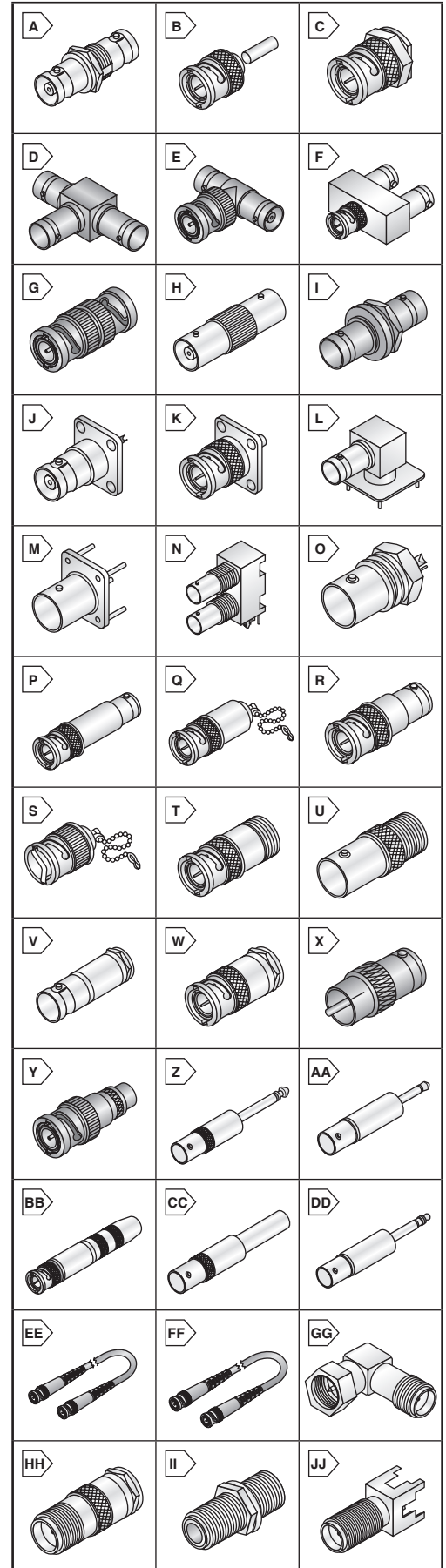
For quantities greater than listed, call for quote.

MOUSER STOCK NO.		Fig.	Description	Length	Price Each		
Mfr.	Mfr. Part No.				1	25	50
565—6510-V-36-0		EE	BNC Male True 75 Ohm High Flex Cable	36in (0.9m)			
565—6510-V-48-0		EE	BNC Male True 75 Ohm High Flex Cable	48in (1.2m)			
565—6510-V-60-0		EE	BNC Male True 75 Ohm High Flex Cable	60in (1.5m)			
565—6510-V-72-0		EE	BNC Male True 75 Ohm High Flex Cable	72in (1.8m)			
565—2249-E-36		FF	BNC Male Cable with Molded Strain Reliefs	3ft (0.9m)			
565—2249-E-72		FF	BNC Male Cable with Molded Strain Reliefs	6ft (1.8m)			
565—2249-E-120		FF	BNC Male Cable with Molded Strain Reliefs	10ft (3.0m)			
565—2249-E-144		FF	BNC Male Cable with Molded Strain Reliefs	12ft (3.7m)			
565—2249-E-180		FF	BNC Male Cable with Molded Strain Reliefs	15ft (4.6m)			
565—2249-E-240		FF	BNC Male Cable with Molded Strain Reliefs	20ft (6.1m)			
565—2249-E-300		FF	BNC Male Cable with Molded Strain Reliefs	25ft (7.6m)			
565—2249-E-600		FF	BNC Male Cable with Molded Strain Reliefs	50ft (15.2m)			

F CONNECTORS

For quantities greater than listed, call for quote.

MOUSER STOCK NO.		Fig.	Description	Price Each		
Mfr.	Mfr. Part No.			1	25	50
75 Ohm Type "F" Within Series Adapters						
565—6800		GG	75Ω Type F (m/f) Right Angle Adapter			
565—6801		HH	75Ω Type F (m/f) in-line Adapter			
75 Ohm Type "F" Bulkhead Receptacle						
565—6802		II	75Ω Type F (f/f) in-line, with nut and washer			
75 Ohm Type "F" PCB Mount						
565—6803		JJ	75Ω Type F(f), vertical mount with PTFE insulator.			



Audio/Video Connectors Pomona

SWITCHCRAFT Phone Jacks and Accessories

RoHS Compliant This product is RoHS compliant.

LITTEL-JAX® 1/4" COMMERCIAL PHONE JACKS

Phone jacks mount in single .375" hole in panels up to .150" thick, except stock numbers 502-L-11 and 502-L-12 which mounts in panels up to .25" thick.

For quantities greater than listed, call for quote.

MOUSER STOCK NO.	Switchcraft Part No.	Fig. *	Circuit Dia.	Typical Mating Type	Description	Price Each		
						1	10	25
2-Conductor Standard 1/4" I.D. Types								
502-11	11	A	1	250	Open tip			
502-C11X	C11X	A	1	440X	Open tip with locating pin			
502-L-11	L11	A	1	250	Open tip with .375" bushing			
502-FAL11	FAL11	A	1	250	Open tip, .375" bushing, .205 Faston			
502-12A	12A	A	2	250	Closed tip			
502-C12AX	C12AX	A	2	440X	Closed tip with locating pin			
502-L-12A	L12A	A	2	250	Closed tip with .375" bushing			
502-13	13	A	-	250	Isolated "Make" Circuit			
502-13A	13A	A	3	250	Transfer circuit			
502-13E	13E	A	4	250	Isolated "break" circuit			
3-Conductor Standard 1/4" I.D. Types								
502-12B	12B	A	5	267	Open tip, open ring			
502-C12BX	C12BX	A	5	480X	Open tip, open ring with locator pin mil 0.25/0.21			
502-L-12B	L12B	A	5	267	Open tip, open ring with .375" bushing			
502-13B	13B	A	6	267	Closed tip, open ring			
502-14B	14B	A	7	267	Closed tip, closed ring			
2-Conductor .210" I.D. Type for Polarized Connections								
502-S-11	S11	A	1	S-250	Open tip			
3-Conductor .210" I.D. Type for Polarized Connections								
502-S-12B	S12B	A	5	S-260	Open tip, open ring			

*502-C11X is shown

1/4" EXTENSION JACKS (IN-LINE)

For quantities greater than listed, call for quote.

MOUSER STOCK NO.	Switchcraft Part No.	Fig.	Mating Plug	Description	Price Each		
					1	10	25
2-Conductor							
502-120	120	B	250	Shielded handle, screw terminal			
502-121	121	C	250	Shielded handle, solder lugs, and cable clamp			
502-88	88	D	250	Black handle, solder lugs			
3-Conductor							
502-1230	1230	B	267	Shielded handle, screw terminals			
502-131	131	C	267	Shielded handle, solder lug			
502-S-830	S830	D	480X	Black handle, screw terminals, .21" I.D. Sleeve			
502-838	838	D	267	Black handle, solder lugs			

JACK COVERS - SPRING LOADED

For quantities greater than listed, call for quote.

502-515X	515X	-	N/A	Black, jack cover			
----------	------	---	-----	-------------------	--	--	--

HI-D JAX, 1/4" ENCLOSED PHONE JACKS

Small, compact phone jacks mate with standard .25" (6.35mm) phone plugs. The molded body protects the integral silver plated contacts. They feature low contact resistance, low electrical leakage and low capacity between contacts. Mounts in single .375" hole in panels up to .156" thick.

For quantities greater than listed, call for quote.

MOUSER STOCK NO.	Switchcraft Part No.	Fig.	Circuit Dia.	Typ. Mating Type	Description	Price Each		
						1	10	25
2-Conductor-Solder Type								
502-111X	111X	E	1	250	Open tip			
502-N111X	N111X	E	1	250	Open tip, nylon bushing			
502-112AX	112AX	E	2	250	Closed tip			
502-N112AX	N112AX	E	2	250	Closed tip, nylon bushing			
502-113X	113X	E	8	250	Open tip, isolated "Make" Circuit			
3-Conductor-Solder Type								
502-112BX	112BX	E	5	267	Open tip, open ring			
502-N112BX	N112BX	E	5	267	Open tip, open ring, nylon bushing			
502-N113BX	N113BX	E	6	267	Closed Tip, Open ring, Nylon Bushing			
502-113BX	113BX	E	6	267	Closed tip, open ring			
502-114BX	114BX	E	7	267	Closed tip, closed ring			
502-L-114BX	L114BX	E	7	267	Closed tip, closed ring, .375" bushing			
502-N114BX	N114BX	E	7	267	Closed tip, closed ring, nylon bushing			
2-Conductor-PC Terminals								
502-111PCX	111PCX	E	1	250	Open tip			
502-N111PCX	N111PCX	E	1	250	Open tip, nylon bushing			
502-112APCX	112APCX	E	2	250	Closed tip			
502-RN111PC	RN111PC	F	1	250	Open tip, right angle			
502-RN-112APC	RN112APC	F	2	250	Closed tip, right angle			
3-Conductor-PC Terminals								
502-112BPCX	112BPCX	E	5	267	Open tip, open ring			
502-N112BPCX	N112BPCX	E	5	267	Open tip, open ring, nylon bushing			
502-113BPCX	113BPCX	E	6	267	Closed tip, open ring			
* 502-N114BPCX	N114BPCX	E	7	267	Closed tip, closed ring			
* 502-RN112BPC	RN112BPC	F	5	267	Open tip, open ring			
* 502-RN-113BPC	RN113BPC	F	6	267	Closed tip, open ring			
502-RN114BPC	RN114BPC	F	7	267	Closed tip, closed ring			

* Right Angle

1/4" THICK PANEL PHONE JACKS

Extra shielded length eliminates microphone hum. • 1.25" panel size • .469" mounting hole

For quantities greater than listed, call for quote.

MOUSER STOCK NO.	Switchcraft Part No.	Fig.	Circuit Diagram	Mating Plug	Description	Price Each		
						1	10	25
502-151	151	G	1	280	2 Conductor, open circuit, nickel finish			
502-152B	152B	G	5	297	3 Conductor, double open circuit, nickel finish			

MICRO-JAX® .101" SUBMINIATURE PHONE JACKS

MOUSER STOCK NO.	Switchcraft Part No.	Fig.	Cir. Dia.	Mating Plug	Contact	Price Each		
						1	10	25
502-TR-2A	TR2A	H	2	850X	Open			
502-MDSL2A	MDSL2A	I	2	850X	Enclosed			
502-MDPC2A	MDPC2A	J	2	850X	Enclosed			
502-MDPC-2A-RA	MDPC2ARA	K	2	850X	Enclosed			
502-MDSL-2A-RA	MDSL-2A-RA	L	2	850X	Enclosed			

TINI-JAX® .141" MINIATURE PHONE JACKS

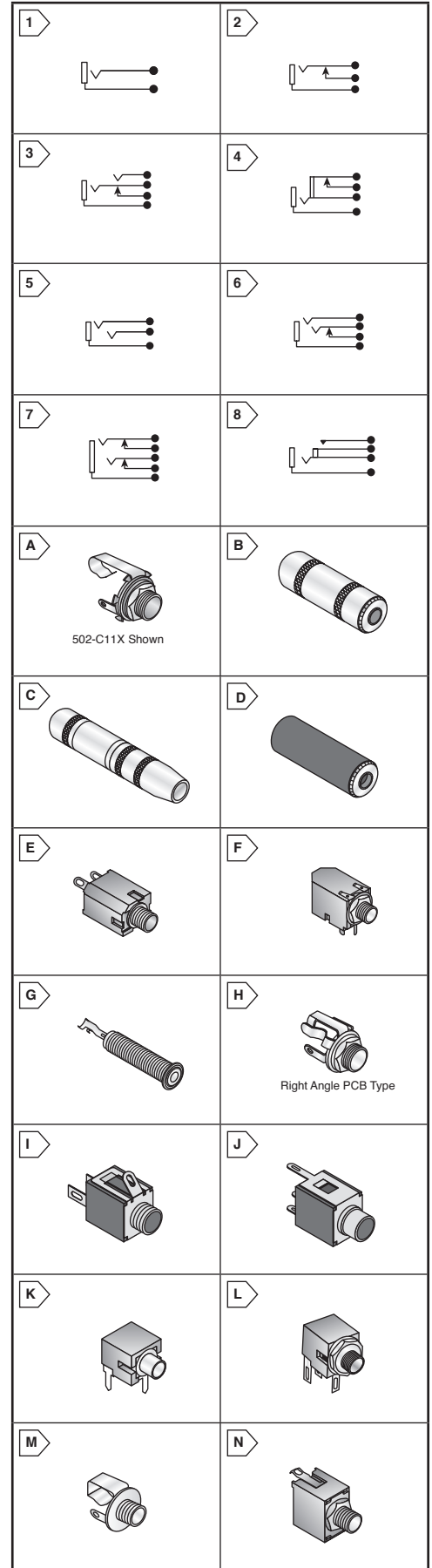
For Insulated Mount, order two washers separately, number S1564 and S2207

502-41	41	M	1	750	Open			
502-42A	42A	M	2	750	Open			
502-142AX	142AX	N	2	750	Enclosed			

© Copyright 2014 Mouser Electronics

For current pricing, visit mouser.com

© Copyright 2014 Mouser Electronics



SWITCHCRAFT Phone Plugs

MICRO-PLUG® .097" SUBMINIATURE PHONE PLUGS

2-conductor phone plugs for use with Micro-Jax® phone jacks, accommodates cables up to .125" (3.18mm)

For quantities greater than listed, call for quote.

MOUSER STOCK NO.	Switchcraft Part No.	Fig.	Mating Jack	Description	Price Each			
					1	10	25	100
502-850X	850X	A	TR2A	Black handle, solder lug				
502-855X	855X	A	TR2A	Red handle, solder lug				
502-880X	880X	A	TR2A	Natural handle, solder lug				
502-851X	851X	B	TR2A	Black handle, solder lug (Locking feature)				

TINI-PLUG® .141" MINIATURE PHONE PLUGS

2-conductor phone plugs for use with Tini-Jax® phone jacks 1/3 the size of standard phone plugs. Maximum cable O.D. is .218" (5.54mm).

For quantities greater than listed, call for quote.

MOUSER STOCK NO.	Switchcraft Part No.	Fig.	Mating Jack	Description	Price Each			
					1	10	25	100
502-740	740	C	41	Black handle, screw terminals				
502-745	745	C	41	Red handle, screw terminals				
502-750	750	C	41	Black handle, solder lug, and cable clamp				
502-755	755	C	41	Red handle, solder lug, and cable clamp				
502-780	780	A	41	Shielded handle, solder lug, and cable clamp				

LITTEL PLUG® 1/4" COMMERCIAL PHONE PLUGS

Solder terminals include built-in cable clamps. Shielded metal handles are nickel plated brass. Maximum cable diameter is .297" (7.54mm)

For quantities greater than listed, call for quote.

MOUSER STOCK NO.	Switchcraft Part No.	Fig.	Mating Jack	Description	Price Each			
					1	10	25	100
2 Conductor								
502-240	240	D	11	Black handle, screw terminal				
502-250	250	D	11	Black handle, solder lug, and cable clamp				
502-255X	255X	D	11	Red handle, solder lug, and cable clamp				
502-270	270	E	11	Shielded handle, screw terminal				
502-280	280	E	11	Shielded handle, solder lug, and cable clamp				
502-440X	440X	D	C-11X	Shield. handle, screw term., MIL-TYPE PJ-055B				
3 Conductor								
502-260	260	D	12B	Black handle, screw terminal				
502-267	267	D	12B	Black handle, solder lug, and cable clamp				
502-269X	269X	D	12B	Red handle, solder lug, and cable clamp				
502-297	297	E	12B	Shielded handle, solder lug, and cable clamp				
502-480X	480X	D	S830	Shield. handle, screw term., MIL-TYPE PJ-068				

.206" COMMERCIAL PHONE PLUGS FOR POLARIZED CONNECTIONS

Designed for applications requiring polarization to prevent insertion of incorrect equipment.

For quantities greater than listed, call for quote.

MOUSER STOCK NO.	Switchcraft Part No.	Fig.	Mating Jack	Description	Price Each			
					1	10	25	100
2 Conductor								
502-S-250	S250	D	S11	Black handled, solder lug, and cable clamp				
502-S-280	S280	E	S11	Shielded handle, solder lug, and cable clamp				
3 Conductor								
502-S-260	S260	D	S12B	Black handle and screw terminal				
502-S267	S267	D	S12B	Black handle, solder lug, and cable clamp				

1/4" COMMERCIAL PHONE PLUGS

- Rugged reliability for stable, long term, trouble-free operation
- All essential conducting members are brass with external parts nickel plated

For quantities greater than listed, call for quote.

MOUSER STOCK NO.	Switchcraft Part No.	Fig.	Conductors	Handle	Description	Price Each			
						1	10	25	100
502-60	60	D	3	Black	Solder Lug				
502-70	70	E	2	Nickel	Screw Terminal				
502-170	170	F	2	Nickel	Screw Terminal				
502-188	188	E	2	Nickel	Solder Lug				
502-220	220	G	2	Black	Screw Terminal, Right Angle				
502-226	226	H	2	Nickel	Screw Terminal, Right Angle				
502-227	227	G	2	Black	Solder Lug, Right Angle				
502-228	228	I	2	Nickel	Solder Lug, Right Angle				
502-236	236	H	3	Nickel	Screw Terminal, Right Angle				
502-238X	238X	I	3	Nickel	Solder Lug, Right Angle				

3.5MM STEREO PHONE PLUGS

- .250" Max Cable O.D.
- Current @ Working Voltage: 4A
- Metal Knurled Handle: Copper Alloy or Nickel
- Solder lug
- Working Voltage: 250VAC, 140VDC

For quantities greater than listed, call for quote.

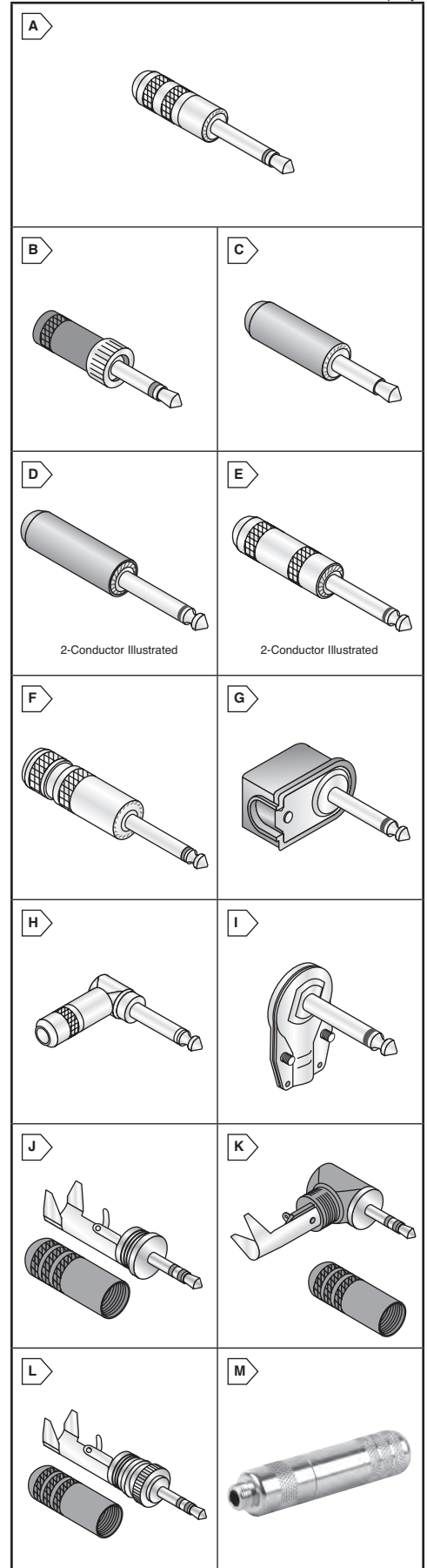
MOUSER STOCK NO.	Switchcraft Part No.	Fig.	Contact Plating	Handle	Description	Price Each			
						1	10	25	100
502-35HDBAU	35HDBAU	J	Gold	Black	Straight				
502-35HDRABAU	35HDRABAU	K	Gold	Black	Right Angle				
502-35HDBN	35HDBN	J	Tin	Black	Straight				
502-35HDNN	35HDNN	J	Tin	Nickel	Straight				
502-35HDLBAU	35HDLBAU	L	Gold	Black	Straight, Locking Feature				
* 502-35HDLBAUS	35HDLBAUS	L	Gold	Black	Straight, Locking Feature				
502-35HDLBN	35HDLBN	L	Tin	Black	Straight, Locking Feature				
502-35HDLN	35HDLN	L	Tin	Nickel	Straight, Locking Feature				

*.175 Max. Cable O.D.

3.5MM INLINE JACKS

For quantities greater than listed, call for quote.

MOUSER STOCK NO.	Switchcraft Part No.	Fig.	Contact Plating	Cable Opening	Price Each			
					1	10	25	100
502-35LJNS	35LJNS	M	Silver	.175"				
502-35LJNAUS	35LJNAUS	M	Gold	.175"				
502-35LJN	35LJN	M	Silver	.29"				
502-35LJNAU	35LJNAU	M	Gold	.29"				



Audio/Video Connectors Switchcraft

SWITCHCRAFT Audio and Circular DIN Connectors

RoHS Compliant This product is RoHS compliant.

BULKHEAD PHONO JACKS

- Durable plated machined brass construction
- All mounting hardware is included
- Contact: nickel-plated brass
- ROHS compliant per Switchcraft Documentation

MOUSER STOCK NO.	Switchcraft Part No.	Fig.	Description	Price Each		
				1	10	25
502-BPJF01AUX	BPJF01AUX	A	Front mount, black insulator, gold plated			
502-BPJF02AUX	BPJF02AUX	A	Front mount, red insulator, gold plated			
502-BPJF03AUX	BPJF03AUX	A	Front mount, white insulator, gold plated			
502-BPJF04AUX	BPJF04AUX	A	Front mount yellow insulator gold plated			
502-BPJF02X	BPJF02X	A	Front mount red insulator			
502-BPJF03X	BPJF03X	A	Front mount, white insulator			
502-BPJF04X	BPJF04X	A	Front mount, yellow insulator			
502-BPJ01X	BPJ01X	B	Feed through black insulator			
502-BPJ02X	BPJ02X	B	Feed through red insulator			
502-BPJ03X	BPJ03X	B	Feed through white insulator			
502-BPJ04X	BPJ04X	B	Feed through yellow insulator			
502-3501FPX	3501FPX	C	Front mount, natural insulator			
502-3501FRX	3501FRX	D	Rear Mount, natural insulator			
502-3503X	3503X	E	Extension Jack, Shielded handle			
502-3505FX	3505FX	F	Front mount, RF-JAX			

MOUNTING HARDWARE - INSULATING WASHERS

- For the 3501FRX use S1028 and S1029
- For the 3501FPX use S2207 and S1564

MOUSER STOCK NO.	Switchcraft Part No.	Fig.	Description	1	10	25
502-S2207	S2207	--	Rigid plastic washer			
502-S1564	S1564	--	Swedged gray fiber washer			
502-S-1028	S1028	--	Rigid plastic washer (Brown)			
502-S-1029	S1029	--	Swedged fiber washer			

PHONO PLUGS

- Nickel Plated pins
- Current carry @ Working voltage: 6A
- Working voltage: 250VAC, 140VDC
- ROHS compliant per Switchcraft Documentation

MOUSER STOCK NO.	Switchcraft Part No.	Fig.	Description	Price Each		
				1	10	25
502-3501MX	3501MX	G	Nickel handle			
502-3501MCX	3501MCX	H	Nickel handle with cable clamp			
502-3502	3502	I	Nickel handle (0.688" handle)			
502-3502A	3502A	I	Nickel handle, long (1.08" handle)			
502-3502RA	3502RA	J	Nickel handle, right angle			
502-35581X	35581X	K	Red plastic handle			
502-35582X	35582X	K	Black plastic handle			

CIRCULAR DIN CONNECTORS

Designed for low level circuitry in computer, commercial, industrial, consumer, and military applications. They are exact replacements for many foreign built products. They are used extensively for computer keyboard, I/O, and peripheral applications.

MOUSER STOCK NO.	Switchcraft Part No.	Fig.	No. of Contacts	Description	Price Each		
					1	10	25
DIN Cord End Plugs							
502-05CL3MX	05CL3MX	L	3	180° w/lock ring			
502-05CL5MX	05CL5MX	L	5	180° w/lock ring			
502-12CL5MX	12CL5MX	L	5	240° w/lock ring			
502-05GM3MX	05GM3MX	M	3	180° w/shielded barrel			
502-05GM5MX	05GM5MX	M	5	180° w/shielded barrel			
502-12GM5MX	12GM5MX	M	5	240° w/shielded barrel			
502-05BL3MX	05BL3MX	N	3	180° w/extended barrel			
502-05BL5MX	05BL5MX	N	5	180° w/extended barrel			
502-12BL5MX	12BL5MX	N	5	240° w/extended barrel			
Panel Mount DIN Receptacles							
502-57HB5FX	57HB5FX	O	5	180° for lock ring plug			
502-61HA5FX	61HA5FX	O	5	240° for lock ring plug			
502-57GB3FX	57GB3FX	P	3	180° for shielded/extended barrel plug			
502-57GB5FX	57GB5FX	P	5	180° for shielded/extended barrel plug			
502-61GB5FX	61GB5FX	P	5	240° for shielded/extended barrel plug			

MICROPHONE CONNECTOR

Designed with 5/8-27 threads for use with single conductor microphones with cable O.D. No greater than .281". The coupling ring is removable for fast change from female to male type.

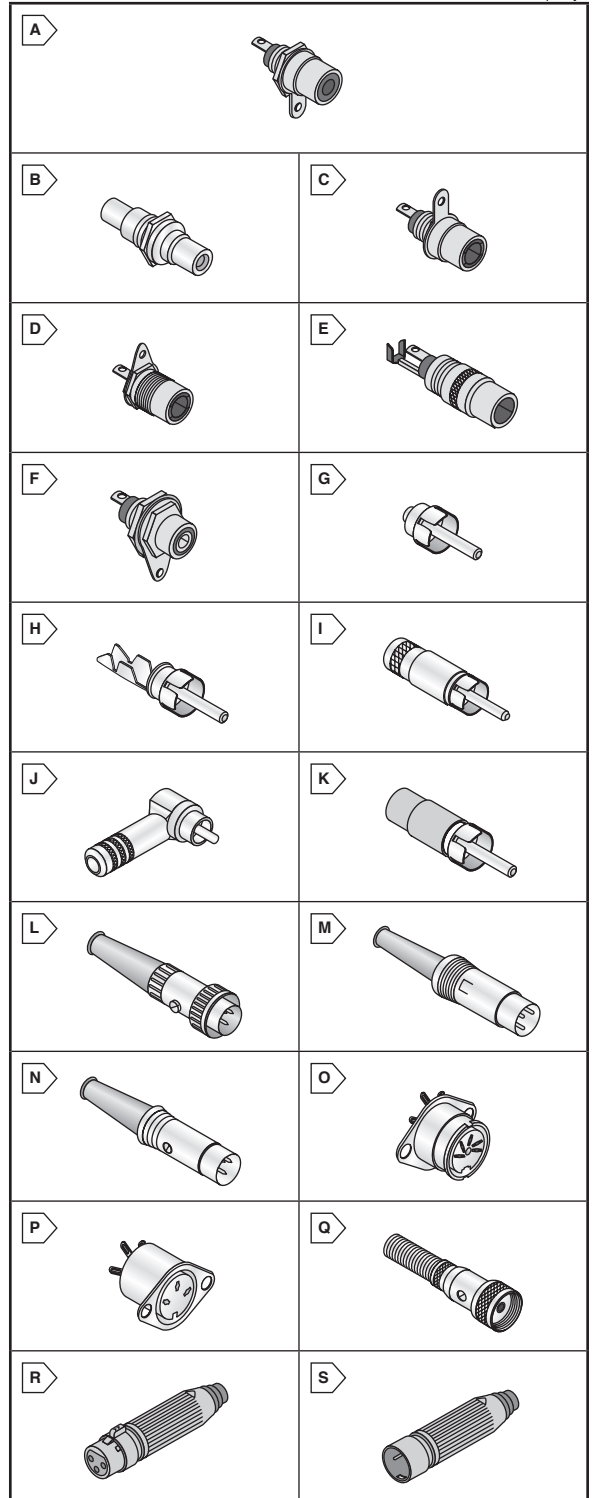
MOUSER STOCK NO.	Switchcraft Part No.	Fig.	Description	Price Each		
				1	10	25
502-2501F	2501F	Q	Female microphone connector			
502-2501MP	2501MP	--	Panel Mount			

AAA SERIES XLR CONNECTORS

Features easy twist on combination handle/strain relief, and reduced number of parts to assemble.

- Specifications:**
- Current rating per contact: 3 pole=15 A
 - Max Wire Size: 3 contact = 14 AWG

MOUSER STOCK NO.	Switchcraft Part No.	Fig.	No. of Contacts	Contact Type/Plating	Gender	Shell Finish	Handle Type	Handle Color	Price Each		
									1	10	25
502-AAA3FZ	AAA3FZ	R	3	Silver	Female	Nickel	Metal	Nickel			
502-AAA3FBZ	AAA3FBZ	R	3	Silver	Female	Black	Metal	Black			
502-AAA3FBAUZ	AAA3FBAUZ	R	3	Gold	Female	Black	Metal	Black			
502-AAA3FPZ	AAA3FPZ	R	3	Silver	Female	Nickel	Plastic	Black			
502-AAA3MZ	AAA3MZ	S	3	Silver	Male	Nickel	Metal	Nickel			
502-AAA3MBZ	AAA3MBZ	S	3	Silver	Male	Black	Metal	Black			
502-AAA3MBAUZ	AAA3MBAUZ	S	3	Gold	Male	Black	Metal	Black			
502-AAA3MPZ	AAA3MPZ	S	3	Silver	Male	Nickel	Plastic	Black			
502-AAA3MPBZ	AAA3MPBZ	S	3	Silver	Male	Black	Plastic	Black			



SWITCHCRAFT Audio (XLR) DIN Connectors



This product is RoHS compliant.

"Q-G" QUICK GROUND XLR AUDIO CONNECTORS

Specifications:

- Current Rating: 3C = 15A, 4C = 10A, 5C = 7.5A
- Cable Size: .21" to .30" O.D.
- RoHS compliance per Switchcraft documentation
- Pin and Socket Contact: Silver-plated copper alloy

- Wire Size: 3 contact-12 AWG solid, 14 AWG stranded; 4 contact-14 AWG solid, 16 AWG stranded; 5 contact-18 AWG solid, 20 AWG stranded
- Housing Material: Die-Cast zinc with satin nickel or black velvet finish

For quantities greater than listed, call for quote.

MOUSER STOCK NO.	Switchcraft Part No.	Fig.	No. of Contacts	Description	Price Each		
					1	10	25
Cord End Plugs							
502-A3F	A3F	A	3	Female plug			
502-A3FBX	A3FBX	A	3	Female plug (black)			
502-A3M	A3M	B	3	Male plug			
502-A3MB	A3MB	B	3	Male plug (black)			
502-A4F	A4F	A	4	Female plug			
502-A4M	A4M	B	4	Male plug			
502-A5F	A5F	A	5	Female plug			
502-A5M	A5M	B	5	Male plug			
502-A6F	A6F	A	6	Female plug			
502-A6M	A6M	B	6	Male plug			
502-R3FZ	R3FZ	C	3	F rt. angle plug w/strain relief			
502-R3MZ	R3MZ	D	3	M rt. angle plug w/strain relief			

Panel Mount Receptacles

For quantities greater than listed, call for quote.

MOUSER STOCK NO.	Switchcraft Part No.	Fig.	No. of Contacts	Description	Price Each		
					1	10	25
Panel Mount Receptacles							
502-B3F	B3F	E	3	Female receptacle			
502-B3FBX	B3FBX	F	3	Female receptacle (black)			
502-B3M	B3M	E	3	Male receptacle			
502-B3MB	B3MB	F	3	Male receptacle (black)			
502-B4M	B4M	F	4	Male receptacle			
502-C3F	C3F	G	3	Female receptacle			
502-C3M	C3M	H	3	Male receptacle			
502-C4F	C4F	G	4	Female receptacle			
502-C4M	C4M	H	4	Male receptacle			
502-C5F	C5F	G	5	Female receptacle			
502-D3F	D3F	I	3	Female receptacle			
502-D3FBXAU	D3FBXAU	I	3	F recept. black w/gold contacts			
502-D3M	D3M	J	3	Male receptacle, nickel			
502-D3MB	D3MB	J	3	Male receptacle, black			
502-D3MBAU	D3MBAU	J	3	M recept. black w/gold contacts			
502-D4F	D4F	I	4	Female receptacle, nickel			
502-D4M	D4M	J	4	Male receptacle, nickel			
502-D5F	D5F	I	5	Female receptacle, nickel			

TINI "Q-G" QUICK GROUND XLR AUDIO CONNECTORS

Specifications:

- Current Rating: Plug or Panel 3-4C = 5A, 5C = 4A; PCB Receptacle 3-5C = 5A
- Maximum Cable: .115" O.D. for flex relief versions; .170" O.D. for "L" version (omitted flex relief)
- Wire Size: 22 AWG solid; 24 AWG stranded
- Contacts: Pin and Socket-Silver-plated copper alloy; PCB Receptacle-Tin-plated brass
- Housing Material: Plugs and Male Receptacle-Nickel-plated copper alloy, Female Receptacle-Nickel-plated die cast zinc; PCB Receptacle-Thermoplastic

For quantities greater than listed, call for quote.

MOUSER STOCK NO.	Switchcraft Part No.	Fig.	No. of Contacts	Description	Price Each		
					1	10	25
Cord End Plugs							
502-TA3FX	TA3FX	K	3	Female plug			
502-TA3MX	TA3MX	L	3	Male plug			
502-TA3FLX	TA3FLX	M	3	Female plug for larger cable			
502-TA3MLX	TA3MLX	N	3	Male plug for larger cable			
502-TA4FX	TA4FX	K	4	Female plug			
502-TA4MX	TA4MX	L	4	Male plug			
502-TA4FLX	TA4FLX	M	4	Female plug for larger cable			
502-TA4MLX	TA4MLX	N	4	Male for larger cable			
502-TA5FX	TA5FX	K	5	Female plug			
502-TA5MX	TA5MX	L	5	Male plug			
502-TA5FLX	TA5FLX	M	5	Female plug for larger cable			
502-TA5MLX	TA5MLX	N	5	Male plug for larger cable			
502-TA6FLX	TA6FLX	M	6	Female plug for larger cable			

Panel Mount Receptacles

For quantities greater than listed, call for quote.

MOUSER STOCK NO.	Switchcraft Part No.	Fig.	No. of Contacts	Description	Price Each		
					1	10	25
Panel Mount Receptacles							
502-TB3M	TB3M	O	3	Male receptacle			
502-TY3F	TY3F	P	3	Female receptacle			
502-TB4M	TB4M	O	4	Male receptacle			
502-TY4F	TY4F	P	4	Female receptacle			
502-TB5M	TB5M	O	5	Male receptacle			
502-TY5F	TY5F	P	5	Female receptacle			

PC Board Mount Receptacles

For quantities greater than listed, call for quote.

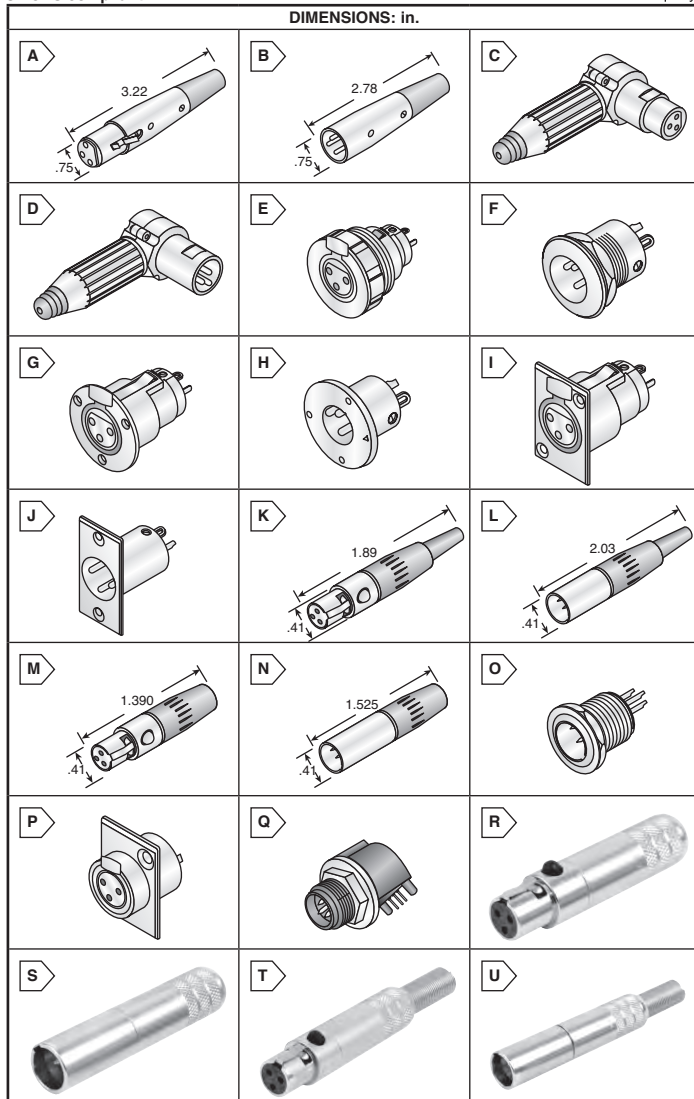
MOUSER STOCK NO.	Switchcraft Part No.	Fig.	No. of Contacts	Description	Price Each		
					1	10	25
PC Board Mount Receptacles							
502-TRAPC3MX	TRAPC3MX	Q	3	Male thru hole			
502-TRAPC4MX	TRAPC4MX	Q	4	Male thru hole			
502-TRASM5MX	TRASM5MX	Q	5	Male surface mount			
502-TRAPC5MX	TRAPC5MX	Q	5	Male thru hole			

A/V DIRECT BOX

The perfect direct box for a wide variety of applications. The 700 Series converts the outputs of equipment such as MP3 players, laptops and DJ mixers to balanced, mic level signals that can be connected to audio consoles, mic preamps and house sound systems. All stereo inputs on the 700 Series are summed to mono and output to a single 3-Pin XLR connector.

For quantities greater than listed, call for quote.

MOUSER STOCK NO.	Switchcraft Part No.	Fig.	No. of Contacts	Description	Price Each		
					1	10	25
502-SC700CT	SC700CT	-		A/V Direct Box - Custom Transformer			



Audio/Video Connectors Switchcraft

TINI "Q-G" SHIELDED MINI XLR AUDIO CONNECTORS

Specifications:

- Current Rating: 3-5C = 5A; 6-8C = 1.5A
- Pin and Socket Contacts: Copper Alloy, silver plated
- Housing: Copper Alloy, nickel-plated
- Wire Size: 3-5C #22 AWG solid, #24 AWG stranded; 6-8C #28 AWG stranded

For quantities greater than listed, call for quote.

MOUSER STOCK NO.	Switchcraft Part No.	Fig.	No. of Contacts	Description	Price Each		
					1	10	25
502-TA3FSH	TA3FSH	R	3	Female plug			
502-TA3MSH	TA3MSH	S	3	Male plug			
502-TA4FSH	TA4FSH	R	4	Female plug			
502-TA4MSH	TA4MSH	S	4	Male plug			
502-TA5FSH	TA5FSH	R	5	Female plug			
502-TA5MSH	TA5MSH	S	5	Male plug			
502-TA6FSH	TA6FSH	R	6	Female plug			
502-TA6MSH	TA6MSH	S	6	Male plug			
502-TA7FSH	TA7FSH	R	7	Female plug			
502-TA7MSH	TA7MSH	S	7	Male plug			
502-TA8FSH	TA8FSH	R	8	Female plug			
502-TA8MSH	TA8MSH	S	8	Male plug			

With Flex Relief

For quantities greater than listed, call for quote.

MOUSER STOCK NO.	Switchcraft Part No.	Fig.	No. of Contacts	Description	Price Each		
					1	10	25
502-TA3FSHF	TA3FSHF	T	3	Female plug			
502-TA3MSHF	TA3MSHF	U	3	Male plug			
502-TA4FSHF	TA4FSHF	T	4	Female plug			
502-TA4MSHF	TA4MSHF	U	4	Male plug			
502-TA5FSHF	TA5FSHF	T	5	Female plug			
502-TA5MSHF	TA5MSHF	U	5	Male plug			
502-TA6FSHF	TA6FSHF	T	6	Female plug			
502-TA6MSHF	TA6MSHF	U	6	Male plug			
502-TA7FSHF	TA7FSHF	T	7	Female plug			
502-TA7MSHF	TA7MSHF	U	7	Male plug			
502-TA8FSHF	TA8FSHF	T	8	Female plug			
502-TA8MSHF	TA8MSHF	U	8	Male plug			

RoHS Compliant This product is RoHS compliant.

ARC RUGGEDIZED CONNECTORS

Features:

- Fully tested to IP67 Specifications in Mated and Unmated conditions
- Standard and Reverse Polarity TNC
- LMR 200 and LMR 400 cable sizes



TNC Connectors

For quantities greater than listed, call for quote.

MOUSER STOCK NO.	Amphenol Part No.	Fig.	Description	Cable Type	Price Each		
					1	10	25
Plugs							
523-31-6499	31-6499	A	Straight Plug	LMR-200			
523-31-6502	31-6502	A	Straight Reversed Polarity Plug	LMR-200			
523-31-6501	31-6501	B	Right Angle Plug	LMR-200			
523-31-6504	31-6504	B	Right Angle Reversed Polarity Plug	LMR-200			
Jacks							
523-31-6505	31-6505	C	Straight Jack	LMR-200			
523-31-6506	31-6506	C	Straight Reversed Polarity Jack	LMR-200			

Type N Connectors

MOUSER STOCK NO.	Amphenol Part No.	Fig.	Description	Cable Type	Price Each
Plug					
523-82-6489	82-6489	D	Right Angle Straight Plug	LMR-400	
Jack					
523-82-6517	82-6517	E	Straight Jack	LMR-400	

SMA CONNECTORS AND ADAPTERS

Features:

- Frequency Range: dc to 18GHz
- Insulation Resistance: 500 megaohms
- Durability: 500 cycles minimum
- Environmental standards per MIL-STD-202
- Impedance: 50Ω

Applications:

- Military
- Aerospace
- Satellite
- Industrial
- Telecommunications

For quantities greater than listed, call for quote.

MOUSER STOCK NO.	Amphenol Part No.	Fig.	Description	Price Each		
				1	10	25
Jacks						
523-2950-6061	2950-6061	F	4-Hole Flange Mount, Panel, AU Plating			
523-SF2950-6061	SF2950-6061	F	4-Hole Flange Mount, Panel			
523-SF2950-6062	SF2950-6062	G	2-Hole Flange Mount with Solder Cup			
Plugs						
523-SF2902-6001	SF2902-6001	H	.141 S.R. Cable			
523-2906-6002	2906-6002	I	Straight, Solder			
523-M39012/55-3007	M39012/55-3007	J	Right Angle, Solder for RG-178			
654-M39012/55-3009	M39012/55-3009	K	Straight Cable			
523-M39012/55-3026	M39012/55-3026	L	Right Angle, Crimp for RG-317			
523-M39012/56-3007	M39012/56-3007	M	Right Angle, Solder for RG-316			
523-M39012/56-3026	M39012/56-3026	N	Lockwire Holes, Solder for .086"			
523-M39012/56-3028	M39012/56-3028	N	Right Angle, Crimp for RG-142/400/233U			
523-M39012/79B3001	M39012/79B3001	O	Straight, Crimp			
523-M55339/28-30001	M55339/28-30001	P	Lockwire Holes Straight for RG-316			

SMA in Series Adapters

MOUSER STOCK NO.	Amphenol Part No.	Fig.	Description	Price Each
523-M55339/31-30001	M55339/31-30001	Q	SMA Jack to SMA Jack	
523-2990-6002	2990-6002	R	SMA Jack to SMA Jack, Bulkhead	
523-2990-6005	2990-6005	S	SMA Jack to SMA Jack, Bulkhead	
523-SF2991-6002	SF2991-6002	T	SMA Jack to SMA Jack, Bulkhead, Hermetic	
523-SF2991-6007	SF2991-6007	U	SMA Jack to SMA Jack, 4-Hole Flange	
523-SF2993-6001	SF2993-6001	V	SMA Plug to SMA Plug	
523-2994-6001	2994-6001	W	SMA Jack to SMA Plug Right Angle, AU Plating	
523-SF2994-6001	SF2994-6001	W	SMA Jack to SMA Plug Right Angle	
523-SF2997-6003	SF2997-6003	X	SMA Jack to SMA Plug	
523-M39012/56-3006	M39012/56-3006	Y	SMA Jack to SMA Jack, Bulkhead, Hermetic	

TERMINATORS

Features:

- Nominal Impedance: 50 Ohms
- Connector interfaces are in accordance with MIL-PRF-39102
- Terminations in accordance with MIL-DTL-39030
- Environmental standards per MIL-STD-202

For quantities greater than listed, call for quote.

MOUSER STOCK NO.	Amphenol Part No.	Fig.	Description	Freq. (GHz)	Price Each		
					1	10	25
523-SF8018-6005	SF8018-6005	Z	SMA Plug, 1 Watt, Passivated Stainless Steel	DC-18			
523-8018-6005	8018-6005	Z	SMA Plug, AU Plating, 1 Watt	DC-18			
523-8018-6174	8018-6174	AA	SMA Plug, AU Plating, 1 Watt, with Beaded Chain	DC-18			
523-M39012/25-0021	M39012/25-0021	BB	TNC Plug Cap with Chain	DC-11			

BNC ADAPTERS AND ACCESSORIES

Features:

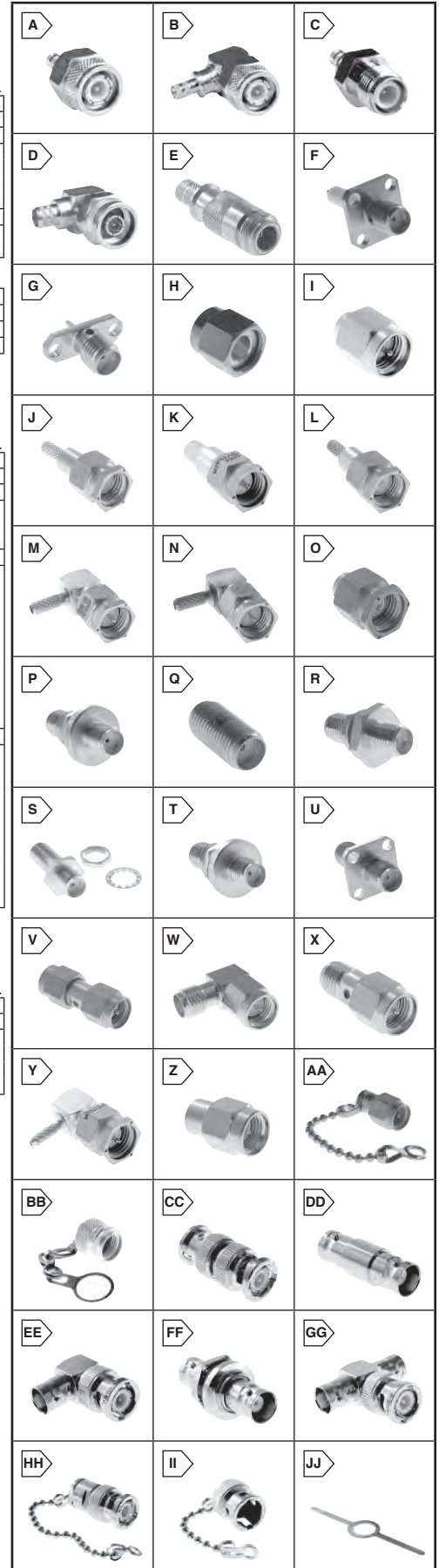
- Bayonet coupling mechanism provides quick mating and unmating
- 50Ω and 75Ω impedance designs allow customers to match impedance to system requirements
- 50Ω and 75Ω connectors are intermateable to ensure non-destructive mating

Specifications:

- Frequency Range: 0-4GHz
- Insulators: TFE
- Crimps: Hex Braid
- Temperature Range: -65°C to 165°C (TFE Insulators)

For quantities greater than listed, call for quote.

MOUSER STOCK NO.	Mfr. Part No.	Fig.	Imp.	MIL Type	Description	Price Each		
						1	10	25
Adapters								
523-31-218	CC	50	UG-491A/U		Plug to Plug			
523-31-219	DD	50	UG-914/U		Jack to Jack			
523-31-70019	DD	75	-----		Jack to Jack			
523-31-9	EE	50	UG-306/U		Right Angle Jack to Plug			
523-31-209	EE	50	UG-306A/U		Right Angle Jack to Plug			
523-31-220H	FF	50	UG-492A/U		Sealed Bulkhead Jack to Jack			
523-31-220N	FF	50	-----		Bulkhead Jack to Jack			
523-31-220N-75	FF	75	-----		Bulkhead Jack to Jack			
523-31-3220	FF	50	UG-4920/U		Bulkhead Jack to Jack			
523-31-4803	FF	50	-----		Bulkhead Jack to Jack			
523-31-4803-75	FF	75	-----		Bulkhead Jack to Jack			
523-31-208	GG	50	UG-274A/U		Bulkhead Jack to Jack; Isolated TEE-Jack-Plug-Jack			
Accessories								
523-35650-75	HH	75	-----		Cap-Resistor Terminated with Chain			
523-46650-51	HH	75	-----		Cap-Resistor Terminated without Chain			
523-31-6	II	75	CW-123/U		Male Cap and Chain			
523-31-17	II	75	CW-159/U		Male Shorting Cap and Chain			
523-31-759	JJ	75	IBM-2245373		Shield, Grounding Lug			



AMPHENOL® RF Connectors and Adapters Amphenol®



This page of product is compliant.

AMPHENOL NON-MAGNETIC COAXIAL CONNECTORS

Designed to carry 50Ω signals within the magnetic imaging field of MRI equipment where a high signal-to-noise ratio (SNR) is required. Product is manufactured under strict quality procedures throughout the entire production process to ensure that each connector will not produce image artifacts during MRI scans. All product is 100% tested for magnetism prior to shipping.

- Contact and body plating: Gold over white bronze

For quantities greater than listed, call for quote.

MOUSER STOCK NO.	Amphenol Part No.	Fig.	Description	Cable Type	Price Each			
					1	10	25	100
Type MMCX								
523-908-NM43200	908-NM43200	A	Right Angle Plug	RG-178				
523-908-NM43300	908-NM43300	A	Right Angle Plug	RG-316				
523-908-NM22106	908-NM22106	B	Straight PCB Jack	---				
523-908-NM24100	908-NM24100	C	Right Angle PCB Jack	---				
Type MCX								
523-919-NM122P-51A	919-NM122P-51A	D	Right Angle Plug	RG-178				
523-919-NM109J-51P	919-NM109J-51P	E	Straight PCB Jack	---				
523-919-NM119J-51A	919-NM119J-51A	F	Right Angle PCB Jack	---				
Type SMB								
523-903-NM291P-51A	903-NM291P-51A	G	Right Angle Plug	RG-178				
523-903-NM289P-51A	903-NM289P-51A	G	Right Angle Plug	RG-316				
523-903-NM285P-51S	903-NM285P-51S	H	Straight Plug	RG-316				

AMPHENOL IN SERIES ADAPTERS

Amphenol's standard, in-line In-Series Adapters offer an attractive, seamless solution to all of your in-series interconnect needs.

For quantities greater than listed, call for quote.

MOUSER STOCK NO.	Amphenol Part No.	Fig.	Description	Price Each			
				1	10	25	100
523-132168	132168	H	SMA Straight Plug to Plug 50Ω				
523-132168RP	132168RP	H	SMA Straight Plug to Plug; Reverse Polarity 50Ω				
523-132169	132169	I	SMA Straight Jack to Jack 50Ω				
523-132170	132170	J	SMA Straight Bulkhead Jack to Jack 50Ω				
523-132170RP	132170RP	J	SMA Straight Bulkhead Jack to Jack; Reverse Polarity 50Ω				
523-132171	132171	K	SMA Straight Plug to Jack 50Ω				
523-132171RP	132171RP	K	SMA Straight Plug to Reverse Polarity Jack; 50Ω				
523-132171RP-10	132171RP-10	K	SMA Straight Reverse Polarity Plug to Jack, 50Ω				
523-132171RP-RP	132171RP-RP	L	SMA Straight Reverse Polarity Plug to Reverse Polarity Jack, 50Ω				
523-132172	132172	M	SMA Right Angle Plug to Jack 50Ω				
523-132172RP	132172RP	M	SMA Right Angle Plug to Jack; Reverse Polarity 50Ω				
523-132216	132216	N	SMA Jack to Jack to Jack Tee 50Ω				
523-132217	132217	O	SMA Jack to Plug to Jack Tee 50Ω				
523-132274	132274	P	SMA Right Angle Jack to Jack 50Ω				
523-132339	132339	Q	SMA Right Angle Plug to Plug, 50Ω				
523-112437	112437	-	BNC Straight Bulkhead Jack to Jack 50Ω				
523-112438	112438	-	BNC Straight Bulkhead Jack to Jack 75Ω				
523-112439	112439	-	BNC Straight Bulkhead Isolated Jack to Jack 50Ω				
523-112440	112440	-	BNC Straight Bulkhead Isolated Jack to Jack 75Ω				
523-112443	112443	-	BNC Straight Jack to Jack 50Ω Isolated				
523-112445	112445	-	BNC Straight Jack to Jack 50Ω				
523-112447	112447	-	BNC Straight Plug to Plug 50Ω; Brass				
523-112455	112455	-	BNC Straight Jack to Jack to Jack Tee 50Ω				
523-112461	112461	-	BNC Straight Jack to Plug to Jack Tee 50Ω				
523-122352	122352	-	TNC Right Angle Plug to Jack 50Ω				
523-172124	172124	R	N Straight Jack to Jack 50Ω				

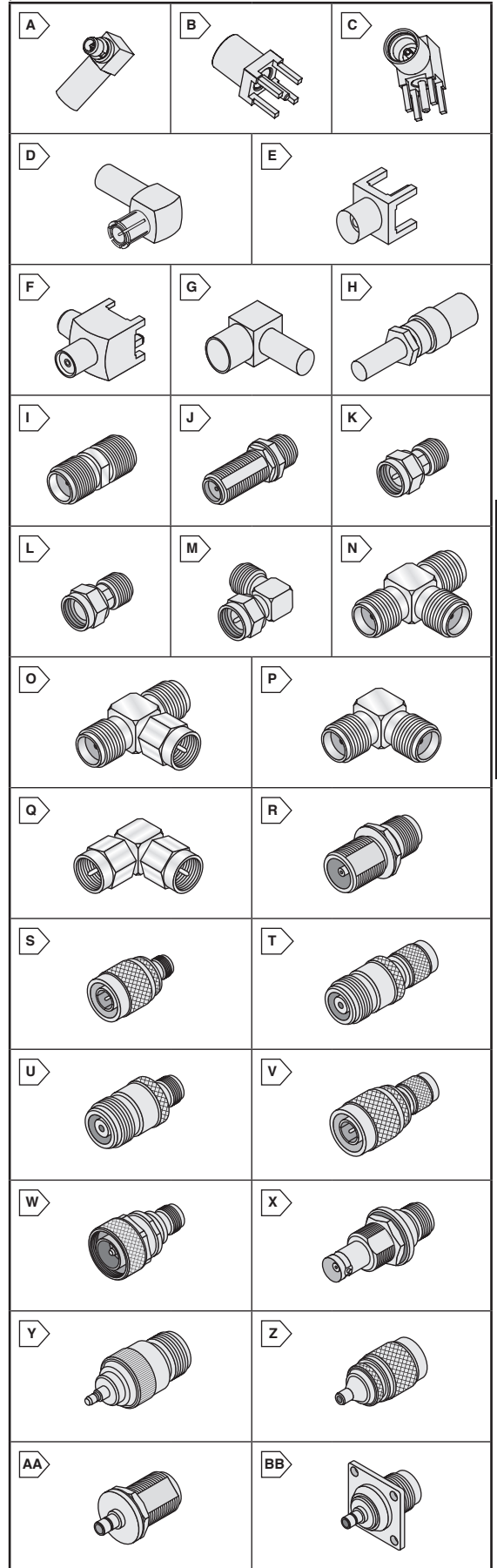
AMPHENOL BETWEEN SERIES ADAPTERS

Amphenol's standard, in-line Between-Series Adapters offer an attractive, low-VSWR solution to all of your between series interconnect needs.

Type N

For quantities greater than listed, call for quote.

MOUSER STOCK NO.	Amphenol Part No.	Fig.	Description	Price Each			
				1	10	25	100
523-242120	242120	-	N Jack to F Jack				
523-242130	242130	S	N Plug to TNC Jack				
523-242130RP	242130RP	S	N Plug to TNC Jack; Reverse Polarity				
523-242131	242131	T	N Jack to TNC Plug				
523-242131RP	242131RP	T	N Jack to TNC Plug; Reverse Polarity				
523-242132	242132	-	N Jack to TNC Jack				
523-242132RP	242132RP	-	N Jack to TNC Jack; Reverse Polarity				
523-242133	242133	U	N Plug to TNC Plug				
523-242133RP	242133RP	V	N Plug to TNC Plug; Reverse Polarity				
523-242136	242136	W	N Jack to 7/16 Plug				
523-242152	242152	-	N Jack to F Plug				
523-242156	242156	-	N Plug to F Jack				
523-242162	242162	X	N Jack to BNC Bulkhead Jack				
523-242167	242167	Y	N Jack to MMCX Plug				
523-242170	242170	Z	N Plug to MCX Jack				
523-242183	242183	AA	N Jack to SMB Bulkhead Jack				
523-242198	242198	BB	N Jack to SMB Jack				



RF Connectors

Amphenol

AMPHENOL® RF Between Series Adapters

Amphenol®

RoHS Compliant This product is RoHS compliant.

AMPHENOL BETWEEN SERIES ADAPTERS (CONT.)

Amphenol's standard, in-line Between Series Adapter line offers an attractive, low-VSWR solution for all of your between series interconnect needs. All gender combinations, reverse polarity, bulkhead and panel mount options are available.

Type QMA

MOUSER STOCK NO.	Amphenol Part No.	Fig.	Description	Price Each			
				1	10	25	100
523-242260	242260	A	QMA Plug to SMA Plug				
523-242261	242261	B	QMA Plug to SMA Jack				
523-242262	242262	C	QMA Jack to SMA Jack				
523-242263	242263	D	QMA Jack to SMA Plug				

Type BNC

MOUSER STOCK NO.	Amphenol Part No.	Fig.	Description	Price Each			
				1	10	25	100
523-242184	242184	E	BNC Plug to SMB Jack				
523-242185	242185	F	BNC Jack to SMB Plug				
523-242186	242186	G	BNC Jack to SMB Jack				
523-242187	242187	H	BNC Plug to SMB Plug				
523-242148	242148	I	BNC Plug to TNC Jack				
523-242149	242149	J	BNC Jack to TNC Plug				
523-242150	242150	K	BNC Jack to TNC Jack				
523-242151	242151	L	BNC Plug to TNC Plug				
523-242121	242121	M	BNC Jack to N Plug				
523-242101	242101	N	BNC Plug to N Jack				
523-242100	242100	O	BNC Jack to N Jack				
523-242122	242122	P	BNC Plug to N Plug				
523-242134	242134	Q	BNC Plug to UHF Jack				
523-242154	242154	R	BNC Plug to F Jack				
523-242159	242159	S	BNC Jack to F Plug				
523-242160	242160	T	BNC Plug to F Plug				
523-242199	242199	--	BNC Jack to F Plug				

Type SMA

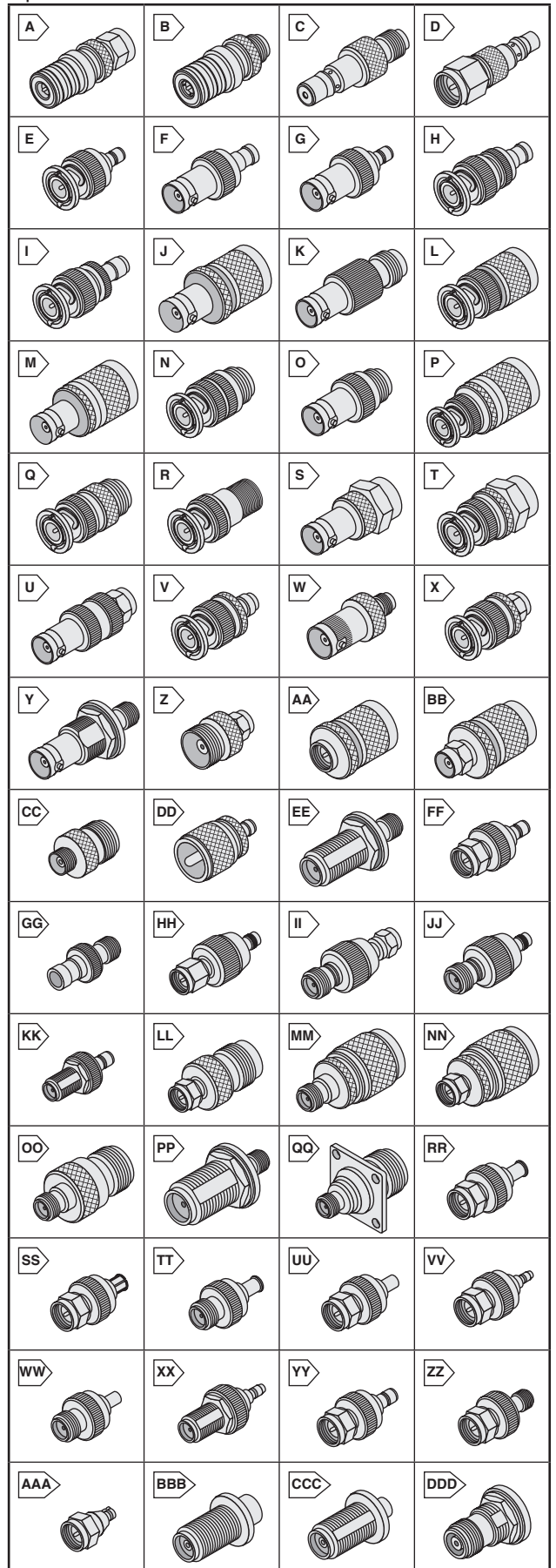
MOUSER STOCK NO.	Amphenol Part No.	Fig.	Description	Price Each			
				1	10	25	100
523-242102	242102	U	SMA Plug to BNC Jack				
523-242103	242103	V	SMA Jack to BNC Plug				
523-242123	242123	W	SMA Jack to BNC Jack				
523-242104	242104	X	SMA Plug to BNC Plug				
523-242181	242181	Y	SMA Jack to BNC Bulkhead Jack				
523-242124	242124	Z	SMA Plug to TNC Jack				
523-242105	242105	AA	SMA Jack to TNC Plug				
523-242105RP	242105RP	AA	SMA Jack to TNC Plug; Rev. Polarity				
523-242106	242106	BB	SMA Plug to TNC Plug				
523-242107	242107	CC	SMA Jack to TNC Jack				
523-242107RP	242107RP	CC	SMA Jack to TNC Jack; Rev. Polarity				
523-242109	242109	DD	SMA Jack to UHF Plug				
523-242178	242178	EE	SMA Jack to TNC Bulkhead Jack				
523-242144	242144	FF	SMA Plug to SMB Jack				
523-242145	242145	EE	SMA Jack to SMB Plug				
523-242146	242146	FF	SMA Plug to SMB Plug				
523-242147	242147	GG	SMA Plug to SMB Jack				
523-242174	242174	HH	SMA Plug to SMC Jack				
523-242175	242175	II	SMA Jack to SMC Plug				
523-242176	242176	JJ	SMA Jack to SMC Jack				
523-242182	242182	KK	SMA Jack to SMB Bulkhead Jack				
523-242112	242112	LL	SMA Plug to N Jack				
523-242112RP	242112RP	LL	SMA Plug to N Jack; Rev. Polarity				
523-242113	242113	MM	SMA Jack to N Plug				
523-242113RP	242113RP	MM	SMA Jack to N Plug; Rev. Polarity				
523-242114	242114	NN	SMA Plug to N Plug				
523-242115	242115	OO	SMA Jack to N Jack				
523-242125	242125	PP	SMA Jack to N Bulkhead Jack				
523-242163	242163	QQ	SMA Jack to N Panel Jack				
523-242126	242126	RR	SMA Plug to MCX Jack				
523-242127	242127	RR	SMA Jack to MCX Plug				
523-242128	242128	SS	SMA Plug to MCX Plug				
523-242129	242129	TT	SMA Jack to MCX Jack				
523-242140	242140	UU	SMA Plug to MMCX Jack				
523-242141	242141	UU	SMA Jack to MMCX Plug				
523-242142	242142	VV	SMA Plug to MMCX Plug				
523-242143	242143	WW	SMA Bulkhead Jack to MMCX Plug				
523-242193	242193	XX	SMA Jack to MMCX Bulkhead Plug				
523-242200	242200	YY	SMA Jack to SSMB Jack				
523-242189	242189	ZZ	SMA Plug to SSMA Jack				
523-242212	242212	AAA	SMA Plug to AMC/U.FL Jack				

Type F

MOUSER STOCK NO.	Amphenol Part No.	Fig.	Description	Price Each			
				1	10	25	100
523-242223	242223	BBB	F Jack to SMB Plug				
523-242224	242224	CCC	F Jack to SMB Jack				

Type TNC

MOUSER STOCK NO.	Amphenol Part No.	Fig.	Description	Price Each			
				1	10	25	100
523-242192RP	242192RP	DDD	TNC Bulkhead Jack to AMC/U.FL Jack; Reverse Polarity				



 This product is RoHS compliant.

HIGH DENSITY HD-BNC™ CONNECTORS

Features:

- High density solutions
- Bayonet coupling
- True 75 Ohm impedance
- Meets SMPTE 292M and 424M Standards
- Smallest BNC in the industry
- Same cable prep as traditional BNC

Electrical:

- Impedance: 75Ω
- Frequency Range: 0-6GHz
- Voltage Rating: 170 VRMS
- Dielectric Withstanding Voltage: 500 volts
- Return Loss: Straight connectors: 32dB @ 3GHz
- Contact Resistance: Center contact: 5m Ω; Outer contact: 2.5m Ω
- Insulation Resistance: 10,000M Ω minimum
- Data Rate: 3Gbps or higher

Applications:

- Broadcast
- Network Routing and Switching
- Telco Central Office
- DS3/DS4
- Digital Video - HDTV
- Medical
- Mil/Aero
- Satellite Headends

For quantities greater than listed, call for quote.

MOUSER STOCK NO.	Amphenol Part No.	Fig.	Description	Price Each			
				1	5	10	25
Jacks							
523-34-1024	34-1024	A	Vertical jack, 4 Leg, square				
523-34-1018	34-1018	B	Edge launch jack				
523-34-1030	34-1030	C	R/A PCB jack				
Plugs for Standard Cable							
523-34-1017-300	34-1017-300	D	Plug - 1694A				
523-34-1027	34-1027	D	Plug - 1695A				
523-34-1025	34-1025	D	Plug - 1505A				
Plugs for HD Cable							
523-34-1026	34-1026	D	Plug - 1855A				
523-34-1033	34-1033	D	Plug - 210HDTV				
523-31-70466	31-70466	E	Plug - 210HDTV				
Adapters							
523-APH-HDBNCJ-J	APH-HDBNCJ-J	F	HD BNC (J) - HD BNC (J)				
523-APH-HDBNCP-J	APH-HDBNCP-J	G	HD BNC (P) - HD BNC (J)				
523-34-1023	34-1023	H	HD BNC (J-J-J) Tee				
523-APH-BNCJ-HDBNCJ	APH-BNCJ-HDBNCJ	I	BNC (J) - HD BNC (J)				
523-APH-BNCP-HDBNCP	APH-BNCP-HDBNCP	J	BNC (P) - HD BNC (P)				
523-APH-BNCJ-HDBNCP	APH-BNCJ-HDBNCP	K	BNC (J) - HD BNC (P)				
523-APH-BNCP-HDBNCJ	APH-BNCP-HDBNCJ	L	BNC (P) - HD BNC (J)				

Tools

For quantities greater than listed, call for quote.

MOUSER STOCK NO.	Amphenol Part No.	Description	Price Each	
			1	5
523-227-1490	227-1490	Spanner nut tool		
523-227-T2000	227-T2000	HD BNC mating tool		

BNC TRUE 75 OHM CABLE CONNECTORS

- True 75Ω impedance end to end
- Body Material: Brass
- Body Plating: Nickel
- Contact Plating: Gold
- Frequency range: 0-4GHz

For quantities greater than listed, call for quote.

MOUSER STOCK NO.	Amphenol Part No.	Fig.	Description	Cable	Crimp Tool	Price Each			
						1	10	25	100
523-31-80101	31-80101	M	Straight Crimp Plug	RG-179, 187	227-T1200				
523-31-80103	31-80103	M	Straight Crimp Plug	RG-59	227-T1200				
523-31-80104	31-80104	M	Straight Crimp Plug	734A	227-T1200				
523-31-80105	31-80105	M	Straight Crimp Plug	735A	227-T1200				
523-31-80106	31-80106	M	Straight Crimp Plug	RG-174, 316	227-T1200				
523-31-80107	31-80107	M	Straight Crimp Plug	BELDEN 179DT	227-T1200				
523-31-80109	31-80109	M	Straight Crimp Plug	BELDEN 1694A	227-T1200				
523-31-80901	31-80901	N	Right Angle Crimp Plug	RG-179, 187	227-T1200				

TWIN BNC CONNECTORS

- Impedance: 75Ω and 95Ω Cables
- Frequency Range: 0-100MHz
- Weatherproof: When mated
- Insulators: TFE (High Temp.) or Noryl
- Mating Coupling: two stud Bayonet Polarized

For quantities greater than listed, call for quote.

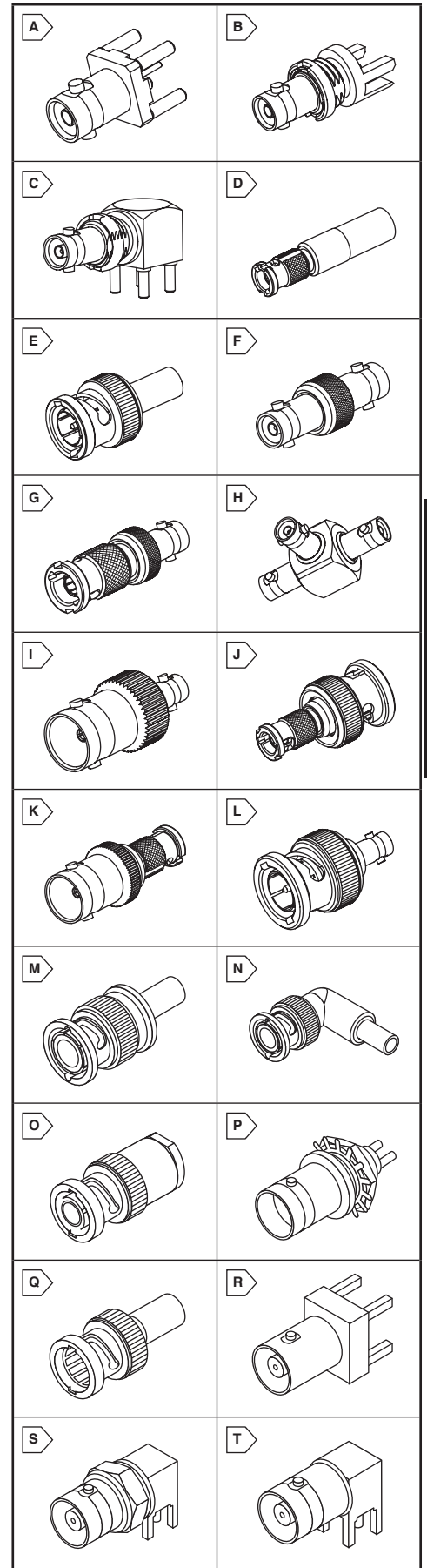
MOUSER STOCK NO.	Amphenol Part No.	Fig.	Cable Attachment Outer-Inner	Plating Body / Contact	Cable/ Description	Price Each			
						1	10	25	100
Plugs									
523-31-224	31-224	O	Clamp-Solder	Nickel / Gold	RG 108A, Noryl Insulator				
523-31-2226	31-2226	O	Clamp-Solder	Nickel / Gold	RG 108A, TFE Insulator				
Bulkhead Jacks									
523-31-223	31-223	P	Solder Cup	Nickel / Silver	Front Mount, Noryl Insulator				
523-31-2225	31-2225	P	Solder Cup	Nickel / Silver	Front Mount, TFE Insulator				

SLIMLINE MINI BNC CONNECTORS

- Working Voltage: 400VAC, peak
- True 75Ω impedance end to end
- Body Material: Brass with nickel or gold plating
- Contact Plating: Gold
- Reduced footprint size allowing 40% more connections in the same area
- Crimp/Crimp Design-Compatible with all major manufacturer's tooling
- Drop-in replacement for most high density SMB/SMZ applications

For quantities greater than listed, call for quote.

MOUSER STOCK NO.	Amphenol Part No.	Fig.	Cable Attachment Outer-Inner	Body Plating	RG Cable/ Description	Price Each		
						1	10	25
Straight Plugs								
523-31-70257	31-70257	Q	Dual Crimp	Nickel	Belden 1694A, 9248, .295" Outer Diameter			
523-31-70259	31-70259	Q	Dual Crimp	Nickel	AT&T 734, 734A, Belden 1505A			
523-31-70251	31-70251	Q	Dual Crimp	Nickel	AT&T 735, 735A, Belden 735A1			
523-31-70260	31-70260	Q	Dual Crimp	Nickel	Belden 8218, 88281			
523-31-70261	31-70261	Q	Crimp-Solder	Nickel	179, 187, Belden 9221			
Jacks								
523-31-70249	31-70249	R	PCB Mount	Nickel	Vertical, .054" Mounting Posts			
523-31-6055	31-6055	S	PCB Mount	Nickel	Right Angle Bulkhead, .071" Max Panel			
523-31-70255	31-70255	T	PCB Mount	Nickel	Right Angle, .054" Mounting Posts			



RF Connectors Amphenol

AMPHENOL® RF Connectors



This product is RoHS compliant.

Amphenol®

HIGH PERFORMANCE BNC

Features and Benefits:

- 75Ω impedance
- Space saving end launch termination

Applications:

- Video control panels
- Video routers and switching equipment
- Video add-on cards
- Video display and monitoring applications

For quantities greater than listed, call for quote.

MOUSER STOCK NO.	Amphenol Part No.	Fig.	Description	Price Each			
				1	10	25	100
523-112740	112740	A	End-launch bulkhead jack, .062 PCB				
523-112740-13	112740-13	A	End-launch bulkhead jack, 14mm hex, .062 PCB				
523-112740-14	112740-14	A	End-launch bulkhead jack, knurled nut, .062 PCB				

BNC CONNECTOR SERIES

- Impedance: 50Ω
- Body Material: Brass
- Body Plating: Nickel
- Contact Plating: Gold
- Frequency range: 0-4GHz with low reflection

For quantities greater than listed, call for quote.

MOUSER STOCK NO.	Amphenol Part No.	Fig.	Description	Cable	Crimp Tool	Price Each			
						1	10	25	100
523-112116	112116	B	Straight Crimp Plug	LMR 195/RG58/U	47-10070				
523-112118	112118	B	Straight Crimp Plug	RG59/62/140/210	47-10070				
523-112119	112119	B	Straight Crimp Plug	RG59/62/140/210	47-10070				
523-112120	112120	B	Straight Crimp Plug	RG58/58A/58C/141/LMR195/B7806A	47-10070				
523-112132	112132	B	Straight Crimp Plug	LMR 100/RG316/U	47-10150				
523-112597	112597	B	Straight Crimp Plug	LMR 200	47-10070				
523-112533	112533	B	Straight Crimp Plug	LMR 240/RG8X	47-10070				
523-112563	112563	B	Straight Crimp Plug	LMR 400/B9913	47-10210				
523-112134	112134	B	Straight Crimp Plug	174/188A/316	47-10150				
523-112514	112514	B	Straight Crimp Plug	55/142/223/400	47-10070				
523-112516	112516	B	Straight Crimp Plug	178/196	47-10150				
* 523-112133	112133	B	Straight Crimp Plug	179/187/B9221	47-10150				
* 523-112507	112507	B	Straight Crimp Plug	59/U-20AWG/B9108/B1515/B9104	47-10070				
523-112551	112551	C	Straight Solder Plug	.141 Semi-Rigid	---				
523-112552	112552	C	Straight Solder Plug	.085 Semi-Rigid	---				
523-112710	112710	C	Straight Solder Plug	.250 Semi-Rigid	---				
523-112178	112178	D	Right Angle Crimp Plug	LMR 100/RG316/U	47-10150				
523-112162	112162	D	Right Angle Crimp Plug	LMR 195/RG58/U	47-10070				
523-112182	112182	D	Right Angle Crimp Plug	RG58/58A/58C/141/303/LMR 195	47-10070				
523-112526	112526	D	Right Angle Crimp Plug	55/142/223/400	47-10070				
523-112601	112601	D	Right Angle Crimp Plug	LMR 240/RG8X	47-10070				
523-112596	112596	D	Right Angle Crimp Plug	LMR 400/B9913	47-10210				
523-112160	112160	E	Straight Crimp Jack	LMR 100/RG316/U	47-10150				
523-112144	112144	E	Straight Crimp Jack	LMR 195/RG58/U	47-10070				
523-112605	112605	E	Straight Crimp Jack	LMR 240/RG8X	47-10070				
523-112603	112603	E	Straight Crimp Jack	LMR 400/B9913	47-10210				
523-112234	112234	F	Bulkhead Crimp Jack	LMR 100/RG316/U	47-10150				
523-112235	112235	F	Bulkhead Crimp Jack	179/187/B9221	47-10150				
523-112202	112202	F	Bulkhead Crimp Jack	LMR 195/RG58/U	47-10070				
523-112252	112252	F	Bulkhead Crimp Jack	174/188A/316	47-10150				
523-112581	112581	G	Bulkhead Solder Jack	.141 Semi-Rigid	---				
523-112580	112580	G	Bulkhead Solder Jack	.085 Semi-Rigid	---				

*75Ω

Accessories

MOUSER STOCK NO.	Amphenol Part No.	Description	Price Each			
			1	10	25	100
523-202100	202100	Male Cap and Chain				
523-202114	202114	Male Shorting Cap Less Chain				

MINI SMB 75 OHM CONNECTORS

- Impedance: 75Ω
- Body Material: Brass
- Insulation: Teflon
- Finish: Gold, unless part number is noted with * = Nickel
- Contact Plating: 30μ" Gold
- Frequency range: 0-4GHz

For quantities greater than listed, call for quote.

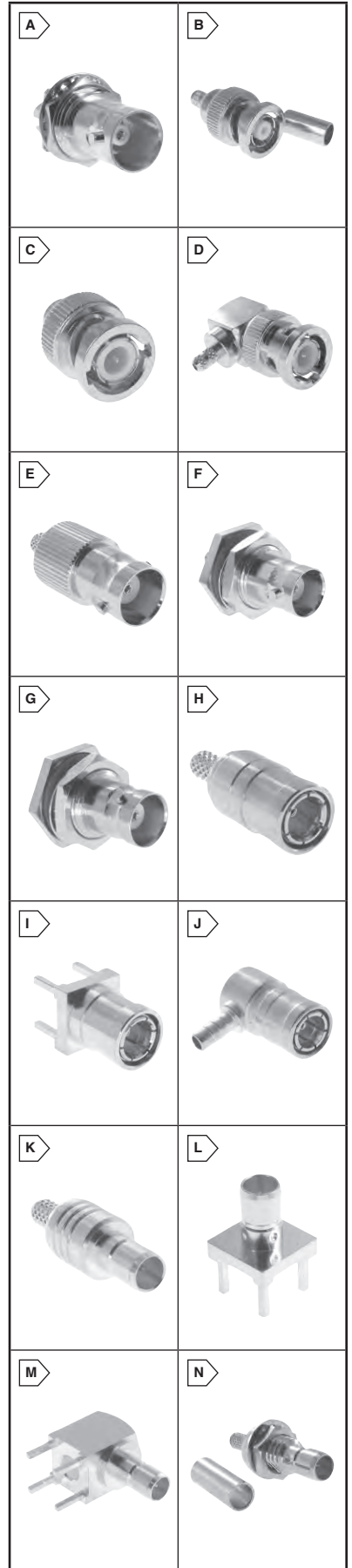
MOUSER STOCK NO.	Amphenol Part No.	Fig.	Description	Cable	Crimp Tool	Price Each			
						1	10	25	100
523-142186-75	142186-75	H	Straight Crimp Plug	179/U	47-10150				
523-142222-75	142222-75	H	Straight Crimp Plug	AT&T 735A	47-10150				
523-142134-75	142134-75	I	Vertical Plug for PC Board	---	---				
523-142194-75	142194-75	J	Right Angle Cable Plug	179/U	47-10150				
523-142176-75	142176-75	J	Right Angle Cable Plug	179 Double Braid	47-10160				
523-142221-75	142221-75	J	Right Angle Crimp Plug	AT&T 735A	47-10150				
523-142189-75	142189-75	K	Straight Crimp Jack	179/U	47-10150				
523-142138-75	142138-75	L	Vertical Jack for PC Board	---	---				
523-142146-75	142146-75	M	Right Angle Jack for PC Board	---	---				
523-142179-75	142179-75	N	Bulkhead Feedthrough Cable Jack	179/U	47-10150				

© Copyright 2014 Mouser Electronics

For current pricing, visit mouser.com

EUsales@mouser.com

© Copyright 2014 Mouser Electronics



SMA SERIES CONNECTORS AND ACCESSORIES

These SMA connectors offer a compact size and mechanically give outstanding durability.

- Impedance: 50Ω
- Body Material: Brass
- Insulation: Teflon
- Finish & Center Contact: Gold
- Frequency Range: 0-18GHz (semi-rigid); 0-12.4GHz (flexible cable)

SMA Coaxial Connectors

For quantities greater than listed, call for quote.

MOUSER STOCK NO.	Amphenol Part No.	Fig.	Description	Cable	Crimp Tool	Price Each			
						1	10	25	100
523-132114	132114	A	Straight Crimp Plug	LMR 100/RG316/U	47-10150				
523-132113	132113	A	Straight Crimp Plug	LMR 195/RG58/U	47-10070				
523-132234	132234	A	Straight Crimp Plug	LMR 200	47-10070				
523-132231	132231	A	Straight Crimp Plug	LMR 240/8X	47-10070				
523-132298	132298	A	Straight Crimp Plug	LMR 400/B9913	47-10210				
523-132178	132178	A	Straight Crimp Plug	RG 316 U Dbl Braid	---				
523-132193	132193	A	Straight Crimp Plug	RG 178/196	47-10150				
523-132195	132195	A	Straight Crimp Plug	RG 223/142	47-10070				
523-132100	132100	B	Straight Solder Plug (no contact)	.141 Semi-Rigid	---				
523-132102	132102	C	Straight Solder Plug (with contact)	.141 Semi-Rigid	---				
523-132101	132101	C	Straight Solder Plug	.085 Semi-Rigid	---				
523-132188	132188	C	Straight Solder Plug w/Torque Nut	.085 Semi-Rigid	---				
523-132249	132249	C	Straight Solder Plug	.047 Semi-Rigid	---				
523-132296	132296	C	Straight Solder Plug	.250 Semi-Rigid	---				
523-132123	132123	D	Right Angle Crimp Plug	LMR 100/RG316/U	47-10150				
523-132122	132122	D	Right Angle Crimp Plug	LMR 195/RG58/U	47-10070				
523-132235	132235	D	Right Angle Crimp Plug	LMR 200	47-10070				
523-132239	132239	D	Right Angle Crimp Plug	LMR 240/8X	47-10070				
523-132173	132173	D	Right Angle Crimp Plug	RG 178/196	47-10150				
523-132194	132194	D	Right Angle Crimp Plug	RG 55/142/223/400	47-10070				
523-132112	132112	E	Right Angle Solder Plug	.141 Semi-Rigid	---				
523-132111	132111	E	Right Angle Solder Plug	.085 Semi-Rigid	---				
523-132117	132117	F	Straight Crimp Jack	LMR 100/RG316/U	47-10150				
523-132116	132116	F	Straight Crimp Jack	LMR 195/RG58/U	47-10070				
523-132240	132240	F	Straight Crimp Jack	LMR 240	47-10070				
523-132104	132104	G	Straight Solder Jack	.141 Semi-Rigid	---				
523-132103	132103	G	Straight Solder Jack	.085 Semi-Rigid	---				
523-132119	132119	H	Bulkhead Crimp Jack	LMR 100/RG316/U	47-10150				
523-132118	132118	H	Bulkhead Crimp Jack	LMR 195/RG58/U	47-10070				
523-132241	132241	H	Bulkhead Crimp Jack	LMR 240/B7808A	47-10070				
523-132106	132106	I	Bulkhead Solder Jack	.141 Semi-Rigid	---				
523-132105	132105	I	Bulkhead Solder Jack	.085 Semi-Rigid	---				
523-132246	132246	J	Right Angle Bulkhead Crimp Jack	LMR 195/RG 58/U	47-10070				
523-132245	132245	J	Right Angle Bulkhead Crimp Jack	LMR 100/RG 316/U	47-10150				
523-132120	132120	K	Panel Mount Crimp Jack, 4-hole	LMR 195/RG58	47-10070				
523-132121	132121	K	Panel Mount Crimp Jack, 4-hole	LMR 100/RG316	47-10150				
523-132107	132107	L	Panel Mount Solder Jack, 4-hole	.085 Semi-Rigid	---				
523-132108	132108	L	Panel Mount Solder Jack, 4-hole	.141 Semi-Rigid	---				
523-132109	132109	M	Panel Mount Solder Jack, 2-hole	.085 Semi-Rigid	---				
523-132110	132110	M	Panel Mount Solder Jack, 2-hole	.141 Semi-Rigid	---				

SMA Panel Mount and PCB Connectors

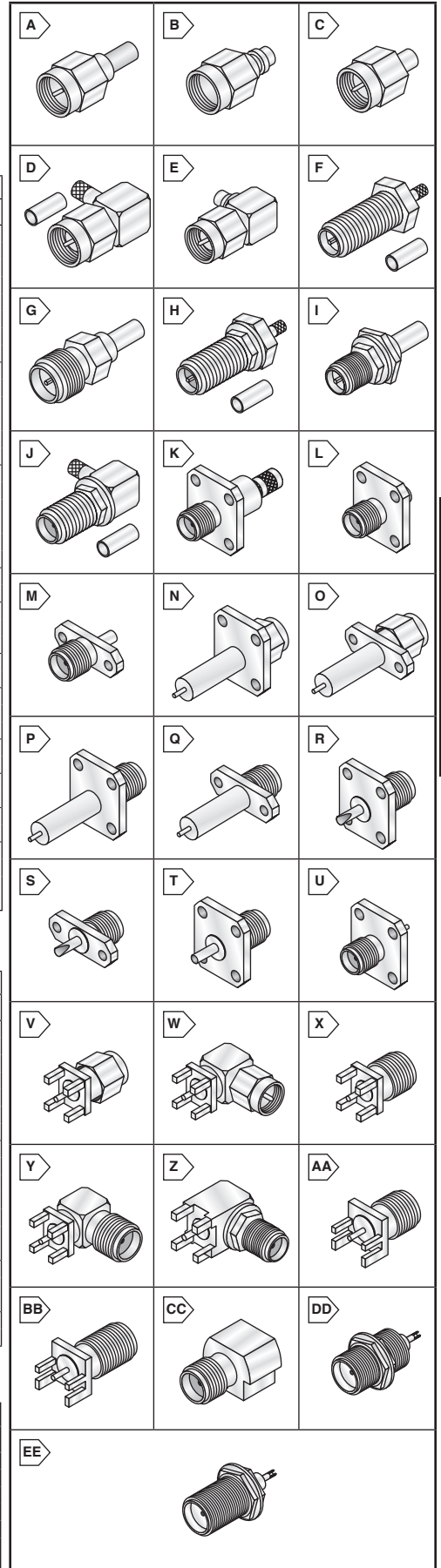
For quantities greater than listed, call for quote.

MOUSER STOCK NO.	Amphenol Part No.	Fig.	Description	Price Each		
				1	10	25
523-132144	132144	N	Panel Mnt Plug, 4-hole, Extend Teflon			
523-132145	132145	O	Panel Mnt Plug, 2-hole, Extend Teflon			
523-132146	132146	P	Panel Mnt Jack, 4-hole, Extend Teflon			
523-132147	132147	Q	Panel Mnt Jack, 2-hole, Extend Teflon			
523-132142	132142	R	Panel Mount Jack, 4-hole			
523-132143	132143	S	Panel Mount Jack, 2-hole			
523-132150	132150	T	Panel Mount Jack, 4-hole, Sq Flange			
523-132166	132166	U	Straight Crimp Jack, 4 hole, .500 Sq			
523-132133	132133	V	Straight PCB Plug			
523-132135	132135	W	Right Angle PCB Plug			
523-132134	132134	X	Straight PCB Jack			
523-132136	132136	Y	Right Angle PCB Jack			
523-132225	132225	Y	Right Angle PCB Jack Die-Cast			
523-132203	132203	Z	Right Angle Bulkhead PCB Jack			
523-132255	132255	AA	Straight End Launch Jack			
523-132289	132289	BB	Strght End Launch Bulkhead Jack			
523-132372	132372	CC	Strght End Launch SMT Jack			
523-132137	132137	DD	Bulkhead Jack, Front mount			
523-132139	132139	EE	Bulkhead Jack, Rear mount			

Accessories - Caps

For quantities greater than listed, call for quote.

MOUSER STOCK NO.	Amphenol Part No.	Fig.	Description	Price Each		
				1	10	25
523-202112	202112	-	Male Cap			
523-202112-10	202112-10	-	Male Cap with Chain			
523-132348	132348	-	Female Cap with chain			
523-132331	132331	-	Male Shorting Cap			
523-132360	132360	-	Male 50Ω Resistor Cap			
523-132360RP	132360RP	-	Male 50Ω Res. Cap, Rev. Polarity			
523-132361	132361	-	Female 50Ω Resistor Cap			



RF Connectors Amphenol

AMPHENOL® RF Connectors and Tools Amphenol®



This product is RoHS compliant.

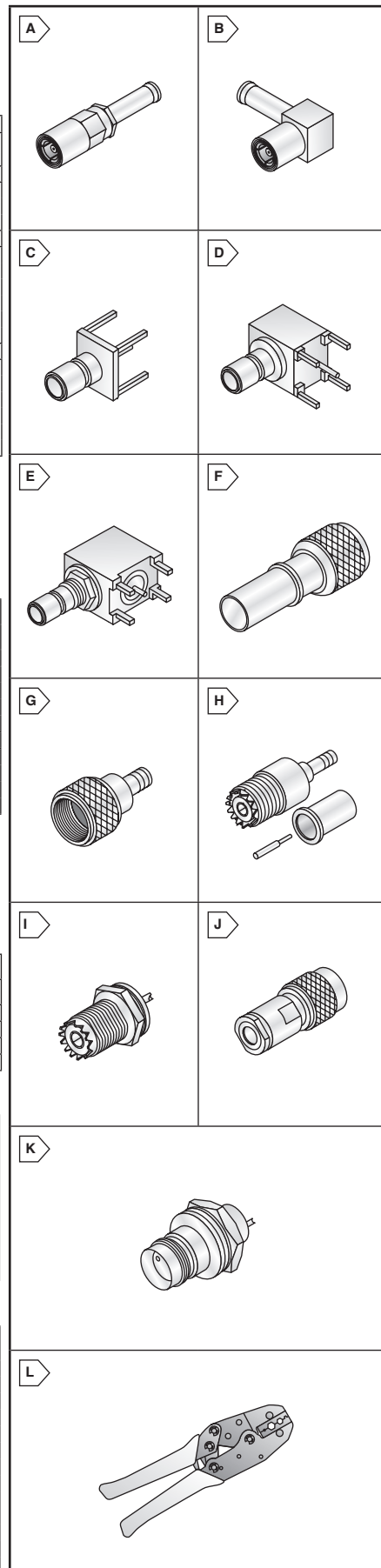
SMB RF CONNECTORS

Offers quick connect/disconnect snap on mating, reducing installation time.

- Impedance: 50Ω
- Frequency Range: 0-4GHz
- Center Contacts: Gold Plated
- Crimp Tool: CTL-13
- Insulators: TFE fluorocarbon
- Connector Durability: 500 matings
- Mating: Rapid Snap-on coupling, per MIL-STD-348
- Conforms with MIL-C-39012
- Interface is in compliance w/ MIL STD-348

For quantities greater than listed, call for quote.

MOUSER STOCK NO.	Amphenol Part No.	Fig.	Cable Attachment Outer-Inner	Plating	Description/ Cable Type	Price Each			
						1	10	25	100
Straight Plugs									
523-903-370P-51S	903-370P-51S	A	Crimp-Solder	Nickel	174, 179, 187, 188, 316, 7805				
523-903285P51S	903285P51S	A	Crimp-Solder	Gold	174, 179, 187, 188, 316, 7805				
523-903371P51S	903371P51S	A	Crimp-Solder	Nickel	178, 196, (.071" Outer Diameter)				
Right Angle Plugs									
523-903-367P-51A	903-367P-51A	B	Crimp-Solder	Nickel	174, 179, 187, 188, 316, 7805				
523-903-367P-51A2	903-367P-51A2	B	Crimp-Solder	Nickel	174, 179, 187, 188, 316, 7805				
523-903-368P-51A1	903-368P-51A1	B	Crimp-Solder	Nickel	M17/93, 178, 178A, 196				
523-903-369P-51A	903-369P-51A	B	Crimp-Solder	Nickel	M17/152, 315U Dbl. Braid 2x, 188				
523-903289P51A	903289P51A	B	Crimp-Solder	Gold	174, 179, 187, 188, 316, 7805				
523-903-289P-51A2	903-289P-51A2	B	Crimp-Solder	Gold	174, 179, 187, 188, 316, 7805				
Receptacles									
523-903-415J-51P	903-415J-51P	C	PCB Jack	Gold	Vertical, .155" Legs, .250" Sq. Base				
523-903-406J-51R	903-406J-51R	C	Solder	Gold	Front Mount				
523-903-499J-51P	903-499J-51P	C	PCB Jack	Gold	Vertical Bulkhead, .155" Legs				
523-903-499J-51P2	903-499J-51P2	C	PCB Jack	Gold	Vertical, .155" Legs, .250" Sq. Base				
523-903-373J-51A	903-373J-51A	D	PCB Jack	Gold	Right Angle, .155" Legs, .312" Base				
523-903-413J-51A	903-413J-51A	E	PCB Jack	Gold	Right Angle Bulkhead, .155" Legs				



MINI-UHF CONNECTORS

Designed for use as a coaxial interconnection in cell phones, automotive systems, and similar applications where size, weight, and cost factors are critical.

- Impedance: 50Ω
- Frequency Range: 0-2.5GHz
- Crimp Tool: CTL-5
- Temperature Range: -55°C to 85°C (TFE Insulators)
- Voltage Rating: 335 Volts Peak
- Mating: 3/8-24 Threaded Coupling
- Teflon insulators

For quantities greater than listed, call for quote.

MOUSER STOCK NO.	Amphenol Part No.	Fig.	Cable Attachment Outer-Inner	Plating	Description/ Cable Type	Price Each			
						1	10	25	100
Plug									
523-81-114-RFX	81-114-RFX	F	Crimp-Crimp	Nickel/Gold	RG58, 141, 303, LMR 195, Belden 9258				
523-81-115N-1000	81-115N-1000	G	Crimp-Crimp	Nickel/Gold	58, 58A, 58C, 141, 303, LMR 195, Belden 7806A				
Receptacles									
523-81-116	81-116	H	Crimp-Crimp	Nickel/Tin-Lead	58, 58A, 58C, 141, 303, LMR 195, Belden 7806A				
523-81-120	81-120	I	Solder Cup	Nickel/Gold	Straight Rear Mount Bulkhead .125" Max Panel Thickness				

TWIN-AXIAL WEATHER PROOF CONNECTORS (TWINAX)

Due to improved shielding characteristics, these connectors are used in balanced low level and high sensitivity circuits. Keyway polarization ensures system integrity and prevents signals from being mixed. 5000V peak with Teflon insulators allows for high temperature applications.

- Frequency Range: 0-200MHz
- Impedance: 78Ω and 95Ω Cables
- Body Plating: Nickel
- Weatherproof: When mated
- Large thread designed for rugged use
- Contact Plating: Gold

For quantities greater than listed, call for quote.

MOUSER STOCK NO.	Amphenol Part No.	Fig.	Cable Attachment Outer-Inner	Description/ Cable Type	Price Each				
					1	10	25	100	
Plugs									
523-82-5589-RFX	82-5589-RFX	J	Clamp-Solder	Belden 9207, IBM 7362211, Times Types					
Receptacles									
523-82-5590-RFX	82-5590-RFX	K	Solder Cup	Bulkhead, Front Mount, .295" Panel					

CRIMP TOOLS WITH DIE SETS

For quantities greater than listed, call for quote.

MOUSER STOCK NO.	Amphenol Part No.	Fig.	Cable Groups	Die Cavities	Price Each
523-47-10070	47-10070	L	RG 55 / 58 / 59 / 62 / 141 / 142 / 223 / 303 / 400	.255 / .213 / .068	
523-47-10180	47-10180	L	5 Cavity RG 58 / 59 N, BNC, TNC, SMA	.255 / .213 / .100 / .068 / .052	
523-47-10090	47-10090	L	RG 8 / 11 / 213 / 214	.429 / .100 / .08	
523-47-10160	47-10160	L	.151 HEX 316 / 179 / Double Braid	.151 / .178 / .213	
523-47-10110	47-10110	L	RG6 / 59 / B8281	.324 / .255 / .068 / .042	
523-47-10210	47-10210	L	LMR 400 / B9913 / B9914 / B7810	.429 / .118	
523-47-10270	47-10270	L	BNC / TNC, .042 Center Contact, .068 Center Contact	.178 / .128, .068, .042	

CTL CRIMP TOOLS

For quantities greater than listed, call for quote.

MOUSER STOCK NO.	Amphenol Part No.	Fig.	Connector Types	Cable Type	Price Each
523-CTL-2	CTL-2	L	BNC, TNC 3-Piece	6, Plenum 58, 174, 179, 187, 188, 316, Belden 8281	
523-CTL3	CTL3	L	N 3-Piece	8, 11, 55, 58, 141, 142, 149, 213, 214, 223, 225, 303, 393, 400, Ethernet Cables	
523-CTL4	CTL4	L	Twinax Center Contacts	Belden 8227, 9207, 89207, IBM 7362211 Twinax Cable	
523-CTL5	CTL5	L	BNC, TNC, Mini-UHF, N	55, 58, 59, 62, 140, 141, 142, 210, 223, 303, 400, Belden 9258, 9259, 9907, 89907, Plenum 59 and 62	
523-CTL-6	CTL-6	L	BNC, TNC 3-Piece	59, 62, 174, Plenum 59, Plenum 62	
523-CTL-9	CTL-9	L	SMA	174, 188, 180, 360	
523-CTL-11	CTL-11	L	Type N 3-Piece	Belden 9913, 9914, LMR 400, 7810A	
523-CTL13	CTL13	L	MMCX, SMA, SMB	174, 178, 188, 196, 316, RD-316	
523-CTL-15	CTL-15	L	MMCX, 75 ohm	Belden 735A, 821B	

AMPHENOL® N and TNC Series RF Connectors

Amphenol®

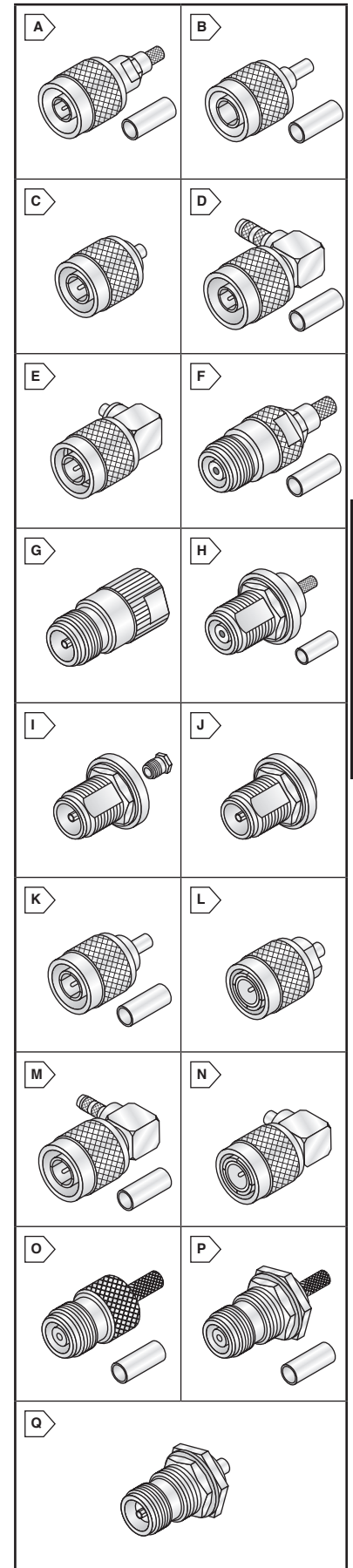
RoHS Compliant This product is RoHS compliant.

N SERIES FOR LMR AND SEMI-RIGID CABLES

- Impedance: 50Ω
- Finish: Nickel
- Frequency Range: 0-11GHz
- Body Material: Brass
- Center Contact: 3μ" Gold
- Insulation: Teflon

For quantities greater than listed, call for quote.

MOUSER STOCK NO.	Amphenol Part No.	Fig.	Description	Cable	Crimp Tool	Price Each			
						1	10	25	100
523-172128	172128	A	Straight Crimp Plug	LMR 100/ RG316/U	47-10150				
523-172171	172171	A	Straight Crimp Plug	316 Double Braid	47-10150				
523-172142	172142	A	Straight Crimp Plug	RG 223/142/400	47-10180				
523-172100	172100	A	Straight Crimp Plug	LMR 195/RG58/U	47-10180				
523-172214	172214	A	Straight Crimp Plug	LMR 200	47-10180				
523-172135	172135	A	Straight Crimp Plug	LMR 240/8X	47-10180				
523-172206	172206	A	Straight Crimp Plug	LMR 600	.610 Hex				
523-172102	172102	A	Straight Crimp Plug	RG 8, 213	47-10090				
523-172166	172166	A	Straight Crimp Plug	RG 214	47-10090				
523-172101	172101	A	Straight Crimp Plug	RG 59	47-10180				
523-172102H243	172102H243	A	Straight Crimp Plug	LMR 400/B9913	47-10210				
523-172113H243	172113H243	B	Straight Clamp Plug	LMR 400/B9913	---				
523-172133	172133	C	Straight Solder Plug	.141 Semi-Rigid	---				
523-172211	172211	C	Straight Solder Plug	.085 Semi-Rigid	---				
523-172139	172139	C	Straight Solder Plug	.250 Semi-Rigid	---				
523-172180	172180	D	Right Angle Crimp Plug	LMR 100/ RG316/U	47-10150				
523-172177	172177	D	Right Angle Crimp Plug	LMR 195/RG58/U	47-10180				
523-172178	172178	D	Right Angle Crimp Plug	RG 223/142/400	47-10070				
523-172176	172176	D	Right Angle Crimp Plug	RG 8/213	47-10210				
523-172215	172215	D	Right Angle Crimp Plug	LMR 200	47-10070				
523-172219	172219	D	Right Angle Crimp Plug	LMR 240/8X	47-10180				
523-172176	172176	D	Right Angle Crimp Plug	LMR 400/B9913	47-10210				
523-172266	172266	E	Right Angle Solder Plug	.250 Semi-Rigid	---				
523-172204	172204	F	Straight Crimp Jack	LMR 100/ RG316/U	47-10150				
523-172103	172103	F	Straight Crimp Jack	LMR 195/RG58/U	47-10180				
523-172216	172216	F	Straight Crimp Jack	LMR 200	47-10180				
523-172147	172147	F	Straight Crimp Jack	RG55/142/223/400	47-10180				
523-172148	172148	F	Straight Crimp Jack	LMR 240/8X	47-10180				
523-172203	172203	F	Straight Crimp Jack	LMR 400/B9913	47-10210				
523-172238	172238	G	Straight Solder Jack	.141 Semi-Rigid	---				
523-172237	172237	G	Straight Solder Jack	.085 Semi-Rigid	---				
523-172129	172129	H	Bulkhead Crimp Jack	LMR 100/ RG316/U	47-10150				
523-172132	172132	H	Bulkhead Crimp Jack	RG 223/142	47-10180				
523-172217	172217	H	Bulkhead Crimp Jack	LMR 200	47-10180				
523-172108	172108	H	Bulkhead Crimp Jack	RG 8/213	47-10180				
523-172106	172106	H	Bulkhead Crimp Jack	LMR 195/RG58/U	47-10180				
523-172149	172149	H	Bulkhead Crimp Jack	LMR 240/8X	47-10180				
523-172220	172220	H	Bulkhead Crimp Jack	LMR 400/B9913	47-10210				
523-172143	172143	I	Bulkhead Clamp Jack	LMR 100/ RG316/U	---				
523-172137	172137	J	Bulkhead Solder Jack	.141 Semi-Rigid	---				
523-172138	172138	J	Bulkhead Solder Jack	.085 Semi-Rigid	---				
523-172153	172153	J	Bulkhead Solder Jack	.250 Semi-Rigid	---				



RF Connectors
Amphenol

TNC SERIES FOR LMR AND SEMI-RIGID CABLES

- Impedance: 50Ω
- Body Material: Brass
- Insulation: Delrin (or Teflon *)
- Frequency Range: 0-11GHz
- Finish: Nickel
- Center Contact: 3μ" Gold
- 50Ω and 75Ω intermateable

For quantities greater than listed, call for quote.

MOUSER STOCK NO.	Amphenol Part No.	Fig.	Description	Cable	Crimp Tool	Price Each			
						1	10	25	100
523-122116	122116	K	Straight Crimp Plug	LMR 100/ RG316/U	47-10070				
523-122117	122117	K	Straight Crimp Plug	RG179/187/139221	47-10150				
523-122108	122108	K	Straight Crimp Plug	LMR 100/ RG58/U	47-10070				
523-122410	122410	K	Straight Crimp Plug	LMR 200	47-10070				
523-122408	122408	K	Straight Crimp Plug	LMR 240/8X	47-10070				
523-122372	122372	K	Straight Crimp Plug	RG55/U/ 142A/U/ 223/U/ 400/U	47-10070				
* 523-122393	122393	K	Straight Crimp Plug	LMR 400/B9913	47-10210				
* 523-122386	122386	L	Straight Solder Plug	.141 Semi-Rigid	---				
* 523-122387	122387	L	Straight Solder Plug	.085 Semi-Rigid	---				
* 523-122484	122484	L	Straight Solder Plug	.250 Semi-Rigid	---				
523-122148	122148	M	Right Angle Crimp/Solder Plug	LMR 100/ RG316/U	47-10150				
523-122140	122140	M	Right Angle Crimp/Solder Plug	LMR 100/ RG58/U	47-10070				
* 523-122414	122414	M	Right Angle Crimp/Solder Plug	LMR 240/8X	47-10070				
523-122416	122416	M	Right Angle Crimp/Solder Plug	LMR 400/B9913	47-10210				
* 523-122422	122422	N	Right Angle Solder Plug	.141 Semi-Rigid	---				
* 523-122420	122420	N	Right Angle Solder Plug	.085 Semi-Rigid	---				
523-122138	122138	O	Straight Crimp Jack	LMR 100/ RG316/U	47-10150				
* 523-122122	122122	O	Straight Crimp Jack	LMR 100/ RG58/U	47-10070				
523-122409	122409	O	Straight Crimp Jack	LMR 240/8X	47-10070				
* 523-122392	122392	O	Straight Crimp Jack	LMR 400/B9913	47-10210				
523-122192	122192	P	Bulkhead Crimp Jack	LMR 100/ RG316/U	47-10150				
* 523-122160	122160	P	Bulkhead Crimp Jack	LMR 100/ RG58/U	47-10070				
* 523-122415	122415	P	Bulkhead Crimp Jack	LMR 240/8X	47-10070				
* 523-122401	122401	Q	Bulkhead Solder Jack	.141 Semi-Rigid	---				
* 523-122400	122400	Q	Bulkhead Solder Jack	.085 Semi-Rigid	---				



This product is RoHS compliant.

AMPHENOL QMA CONNECTORS

QMA is a quick disconnect version of the SMA connector. Instead of using a threaded coupling mechanism, a snap-lock mechanism is used.

Features:

- Operates at the same electrical performance as SMA
- Snap-on interface for quick and easy installation (can be installed 10x faster than SMA)
- Snap-Lock mechanism removes requirement for wrench clearance, allowing for denser packaging
- Rotatable 360° after connection

Specifications:

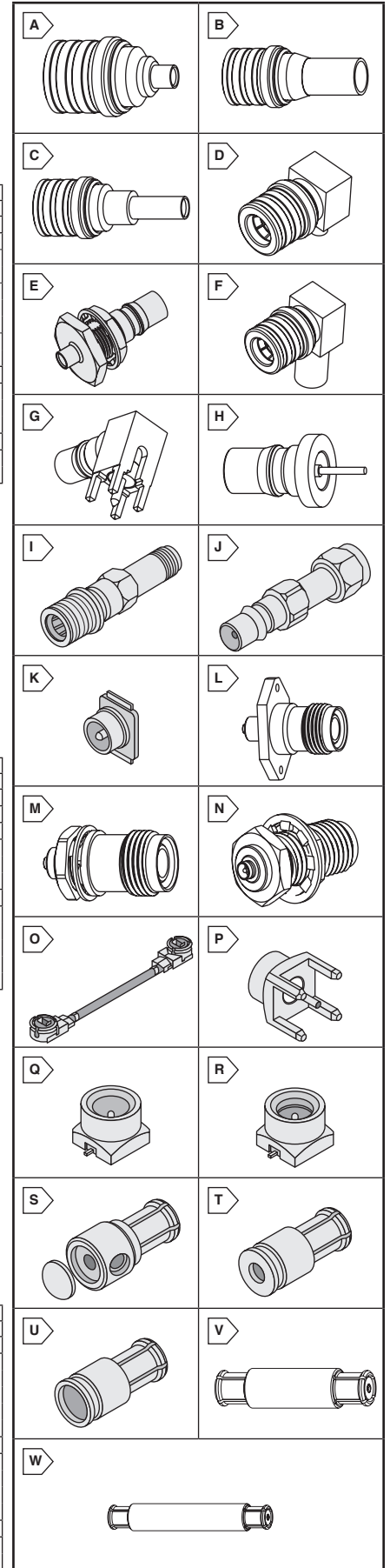
- Impedance: 50Ω
- Frequency Range: 0-6GHz
- VSWR: 1.05 max DC to 3 GHz, 1.12 max 3 to 6GHz
- Temperature Range: -40°C to +80°C
- Body Material: White Bronze over Brass
- Durability: 100 cycles
- Power Handling: 125W at 40°C

Applications:

- Base Stations
- Instrumentation
- Process Controls
- Cable Assemblies
- Mill/Aero
- Telecom
- Components
- PC/LAN

For quantities greater than listed, call for quote.

MOUSER STOCK NO.	Amphenol Part No.	Fig.	Description/Cable	Crimp Tool	Price Each			
					1	10	25	100
Plugs								
523-930-119P-51S	930-119P-51S	A	Straight Solder, .085, .087 Semi-Rigid	-				
523-930-120P-51S	930-120P-51S	B	Straight Crimp, 89907, B7806A, RG11, RG58, RG58C	CTL-1				
523-930-129P-51S	930-129P-51S	C	Straight Crimp, RG174, RG188A	CTL-9				
523-930-104P-51A	930-104P-51A	D	Right Angle Solder, .085, .087 Semi-Rigid	-				
523-930-103P-51A	930-103P-51A	E	Right Angle Solder, .141 Semi-Rigid	-				
523-930-110P-51A	930-110P-51A	F	Right Angle Crimp, 89907, B7806A, RG11, RG58, RG58C	CTL-1				
PCB Jacks								
523-930-121J-51S	930-121J-51S	E	.085, .087 Semi-Rigid, Bulkhead	-				
523-930-128J-51P	930-128J-51P	G	Right Angle	-				
523-930-107J-51P	930-107J-51P	H	Vertical Surface Mount Thru-Hole	-				
Adapters-Between Series								
523-930-101A-51S	930-101A-51S	I	QMA Plug to SMA Jack	-				
523-930-131A-51S	930-131A-51S	J	QMA Jack to SMA Plug	-				



AMPHENOL AMC CONNECTORS AND CABLE ASSEMBLIES

Features:

- Easy snap-on / snap-off mating
- Ultra low-profile (2.5mm mating height)
- Small footprint (3mm x 3mm)

Specifications:

- Impedance: 50Ω
- Frequency Range: 0-6GHz
- VSWR: 1.3 max DC to 3GHz, 1.4 max 3 to 6GHz
- Temperature Range: -40°C to +90°C
- Durability: 30 cycles
- Mating Female contact holding force: 0.15N min
- Body Material: Silver over Phosphor Bronze

Applications:

- WLAN
- Bluetooth
- PDA
- Notebook computers
- GPS
- Portable Devices
- Remote Measuring Equipment

For quantities greater than listed, call for quote.

MOUSER STOCK NO.	Amphenol Part No.	Fig.	Description	Price Each			
				1	10	25	100
Receptacle							
523-A-1JB	A-1JB	K	AMC PCB Jack, Surface Mount				
Adapters							
523-31-6101	31-6101	L	AMC Plug to TNC-RP Jack, 2 Hole Flange				
523-31-6112	31-6112	M	AMC Plug to TNC-RP Jack, Bulkhead Front Mount				
523-901-10097	901-10097	N	AMC Plug to SMA-RP Jack, Bulkhead Rear Mount				
Cable Assemblies							
523-A-1PA-113-100G2	A-1PA-113-100G2	O	100mm, Right Angle Plug Jumper, Gray Cable				
523-A-1PA-113-125W2	A-1PA-113-125W2	O	125mm, Right Angle Plug Jumper, White Cable				
523-A-1PA-113-150B2	A-1PA-113-150B2	O	150mm, Right Angle Plug Jumper, Black Cable				
523-A-1PA-113-300B2	A-1PA-113-300B2	O	300mm, Right Angle Plug Jumper, Black Cable				
523-A-1PA-113-330B2	A-1-1PA-330B2	O	330mm, Right Angle Plug Jumper, Black Cable				

*Contact your Mouser Sales Representative for additional color and length options.

AMPHENOL SMP CONNECTORS

The SMP interface is a subminiature interface in the same scale as MMCX connectors but offers a frequency range of DC to 40GHz.

Features:

- RF performance DC to 40GHz
- Designed to accommodate both radical and axial misalignment
- Push-on and Snap-on mating styles for quick installation

Specifications:

- Impedance: 50Ω
- VSWR: 1.50 max 0-20GHz
- Temperature Range -65°C to +155°C
- Contacts: Gold-plated brass, Gold plated beryllium copper
- Mating Cycles: 100 with full detent, 500 with limited detent
- Body Material: Gold plated brass, Gold Plated beryllium copper

Applications:

- Aerospace
- Routers
- Broadband
- Telecom
- Board to Board Interconnect
- Instrumentation
- Phased array antennas

For quantities greater than listed, call for quote.

MOUSER STOCK NO.	Amphenol Part No.	Fig.	Description / Cable	Termination	Price Each			
					1	10	25	100
Plugs								
523-SMP-MSLD-PCT	SMP-MSLD-PCT	P	Vert PCB Plug, Thru-Hole, Limited Detent	PCB Mount				
523-SMP-MSLD-PCS	SMP-MSLD-PCS	Q	Vert PCB Plug, SMT, Limited Detent	PCB Mount				
523-SMP-MSLD-PCR	SMP-MSLD-PCR	R	Vert PCB Plug, Rear Mount, Limited Detent	PCB Mount				
523-SMP-MSSB-PCS	SMP-MSSB-PCS	Q	Vert PCB Plug, SMT, Smooth Bore	PCB Mount				
523-SMP-MSSB-PCR	SMP-MSSB-PCR	R	Vert PCB Plug, Rear Mount, Smooth Bore	PCB Mount				
Jacks								
523-SMP-FR-C06	SMP-FR-C06	S	R/A Cable Jack to .047 Semi-Rigid	Solder/Solder				
523-SMP-FR-C07	SMP-FR-C07	S	R/A Cable Jack to RG 405, .086 Semi-Rigid	Solder/Solder				
523-SMP-FS-C06	SMP-FS-C06	T	ST Cable Jack to .047 Semi-Rigid	Solder/Solder				
523-SMP-FS-C07	SMP-FS-C07	U	ST Cable Jack to RG 405, .086 Semi-Rigid	Solder/Solder				
Adapters								
523-SMP-FSBA-145	SMP-FSBA-145	V	ST SMP Jack to SMP Jack, 14.5mm	---				
523-SMP-FSBA-224	SMP-FSBA-224	W	ST SMP Jack to SMP Jack, 22.4mm	---				

JOHNSON COMPONENTS RF Connectors

SMA QUICK-CONNECT

The Johnson SMA Quick-Connect plug can quickly mate to a standard, threaded SMA jack receptacle allowing rapid test connections to devices utilizing SMA threaded jacks. Full Mil-C-39012 electrical compatibility is obtained with a push and twist motion. The SMA Quick-Connect plug adapter converts a standard SMA plug test cable into a Quick-Connect cable.

- Coupling Hardware: Nickel plated
- Frequency Range: 0-12.4GHz Plugs, 0-18GHz Adapter
- VSWR: 1.15 +.02f(GHz) Plugs, 1.05 +.005f(GHz) Adapter
- Contact Plating: Gold



For quantities greater than listed, call for quote.

MOUSER STOCK NO.	Johnson Components Part No.	Fig.	Body Plating	Description	Price Each		
					1	5	10
Plugs							
530-142-1403-001	142-1403-001	A	Gold	RG-161/U, 174, 188, 316			
530-142-1407-001	142-1407-001	A	Gold	RG-58/U, 141, 303			
Adapter							
530-142-1901-821	142-1901-821	B	Gold	Converts SMA Jack to SMA Plug			

SMA JACK RECEPTACLES

- Impedance: 50Ω
- Frequency Range: 0-18GHz
- Temperature Range: -65°C to +165°C
- Contact Plating: Gold
- Engagement design: MIL-C-39012



For quantities greater than listed, call for quote.

MOUSER STOCK NO.	Johnson Components Part No.	Fig.	Body Plating	Description	Price Each		
					1	10	25
Panel Jacks							
530-142-0701-411	142-0701-411	C	Gold	Bulkhead, Front Mount, Solder Cup			
530-142-0701-401	142-0701-401	D	Gold	Bulkhead, Rear Mount, Solder Cup			
530-142-0701-631	142-0701-631	E	Gold	4 Hole Flange Mount, Flush Dielectric, Solder Cup			
530-142-0701-621	142-0701-621	F	Gold	2 Hole Flange Mount, Flush Dielectric, Solder Cup			
Vertical PCB Jacks							
530-142-0701-201	142-0701-201	G	Gold	Round Base, .155" Legs, Thru-Hole			
530-142-0701-206	142-0701-206	G	Nickel	Round Base, .155" Legs, Thru-Hole			
530-142-0701-231	142-0701-231	G	Gold	Round Base, .110" Legs, Thru-Hole			
530-1420701211	142-0701-211	H	Gold	Square Base, .155" Legs, Thru-Hole			
530-142-0701-831	142-0701-231	H	Gold	End Launch, .042" legs, Round Contact			
530-142-0711-201	142-0711-201	I	Gold	Square Base, .050" Legs, Surface Mount			
Right-Angle PCB Jacks							
530-142-0701-301	142-0701-301	J	Gold	Round Base, .155" Legs, Thru-hole, Solder Type			
530-142-0711-301	142-0711-301	K	Gold	Square Base, .050" Legs, Surface Mount			
530-142-0701-501	142-0701-501	L	Gold	Square Base, .155" Legs, Bulkhead, Thru-Hole			
530-142-0701-506	142-0701-506	L	Nickel	Square Base, .155" Legs, Bulkhead, Thru-hole			
530-142-0701-551	142-0701-551	L	Gold	Square Base, .110" Legs, Bulkhead, Thru-hole			

SMA HIGH FREQUENCY EDGE MOUNT CONNECTORS

- Impedance: 50Ω
- Frequency Range: 0-26.5GHz
- Insulator: PTFE
- Contact Plating: Gold
- Body: Brass
- Body Plating: Gold
- Temperature Range: -65°C to +165°C
- Offers low VSWR
- Low insertion forcecover a wide bandwidth



For quantities greater than listed, call for quote.

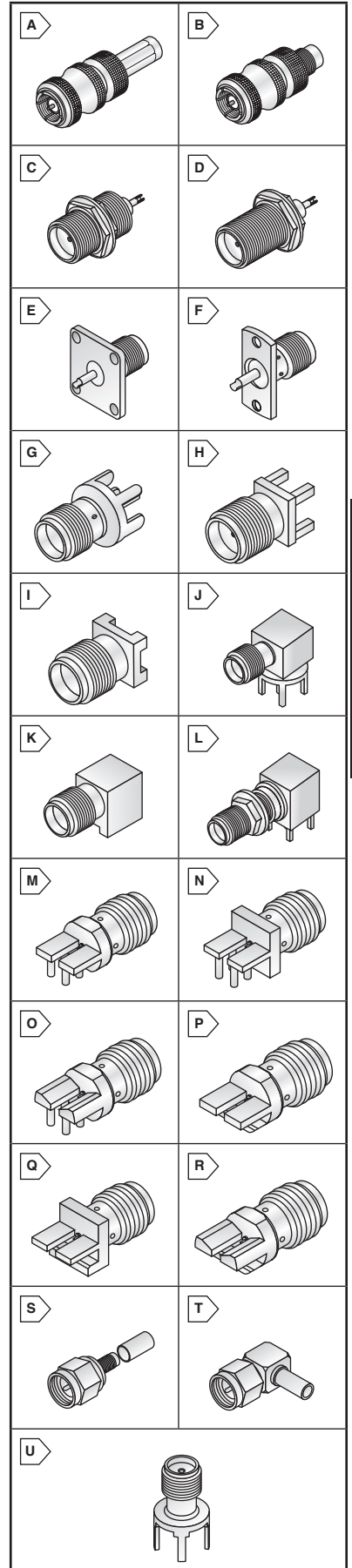
MOUSER STOCK NO.	Johnson Components Part No.	Fig.	Body Plating	Description	Price Each		
					1	10	25
Right-Angle PCB Jacks							
530-142-0761-801	142-0761-801	M	.010	Round Body, .093" Legs, Thru-Hole			
530-142-0761-821	142-0761-821	M	.015	Round Body, .093" Legs, Thru-Hole			
530-142-0761-831	142-0761-831	N	.015	Square Body, .120" Legs, Thru-Hole			
530-142-0761-811	142-0761-811	N	.010	Square Body, .120" Legs, Thru-Hole			
530-142-0761-881	142-0761-881	O	.010	Round Body, .093" Legs, Thru-Hole, Thick Legs			
530-142-0771-821	142-0771-821	O	.015	Round Body, .093" Legs, Thru-Hole, Thick Legs			
Straight Jacks							
530-142-0761-841	142-0761-841	P	.010	.062" Board Thickness, Round Body, .218" Wide			
530-142-0761-861	142-0761-861	P	.015	.062" Board Thickness, Round Body, .218" Wide			
530-142-0761-851	142-0761-851	Q	.010	.062" Board Thickness, Square Body, .250" Wide			
530-142-0761-871	142-0761-871	Q	.015	.062" Board Thickness, Square Body, .250" Wide			
530-142-0761-891	142-0761-891	R	.010	.062" Board, Round Body, .218" Wide, Thick Legs			
530-142-0771-831	142-0771-831	R	.015	.062" Board, Round Body, .218" Wide, Thick Legs			

STAINLESS STEEL SMA CONNECTORS

- Impedance: 50Ω
- Frequency Range: up to 26.5GHz
- Cable contacts are captivated upon assembly
- Flexible cable contacts can be crimped or soldered
- Contact Plating: Gold
- Body Plating: Passivated/Gold plating where soldering is required

For quantities greater than listed, call for quote.

MOUSER STOCK NO.	Johnson Components Part No.	Fig.	Body Plating	Description / Cable Type	RoHS	Price Each		
						1	10	25
Straight Plug (3 Piece) - Crimp - Flexible Cable - Captivated Contact Passivated								
530-141-0408-012	141-0408-012	S	Passivated	RG55/U, 142, 223, 400	No			
Right Angle Plugs - Crimp - Flexible Cable - Captivated Contact Passivated								
530-141-0407-102	141-0407-102	T	Passivated	RG58/U, 141 303	Yes			
Vertical PCB Jack - Gold								
530-141-0701-201	141-0701-201	U	Gold	Round Base, .155" Legs, Thru-Hole	No			



RF Connectors Johnson Components

JOHNSON COMPONENTS RF Connectors

 **This product is RoHS compliant.**

SMA CABLE CONNECTORS

- Impedance: 50Ω
 - Body: Brass
 - Contact Plating: Gold
 - Insulator: PTFE Fluorocarbon
 - Temperature Range: -65°C to +165°C
 - Durability: 500 Cycles minimum
 - Frequency Range: 0-12.4GHz for Flexible
- Cable Types
- 0-26.5GHz for Semi-Rigid Cable Types
 - 0-28GHz for Plugs with Semi-Rigid cable and Captivated Solderless Contact;
 - 0-25GHz for Jacks with Semi-Rigid cable and Captivated Solderless Contact

For quantities greater than listed, call for quote.

MOUSER STOCK NO.	Johnson Components Part No.	Fig.	Body Plating	Description / Cable Type	Price Each			
					1	10	25	100
Straight Plugs - Semi-Rigid Cable								
530-142-0693-001	142-0693-001	A	Gold	.086 with Contact, Captive Nut				
530-142-0693-006	142-0693-006	A	Nickel	.086 with Contact, Captive Nut				
530-142-0694-001	142-0694-001	A	Gold	.141 with Contact, Captive Nut				
530-142-0694-006	142-0694-006	A	Nickel	.141 with Contact, Captive Nut				
Straight Plugs - Semi-Rigid Cable - Captivated Solderless Contact								
530-142-0693-061	142-0693-061	B	Gold	.086 with Captive Nut, 1 Piece Body				
Right Angle Plugs - Semi-Rigid Cable								
530-142-0693-101	142-0693-101	C	Gold	.086 with Contact, 1 Piece Body				
530-142-0694-101	142-0694-101	C	Gold	.141 with Contact, 1 Piece Body				
Straight Plugs - Flexible Cable - Captivated Contact								
530-142-0402-011	142-0402-011	D	Gold	178/U, 196				
530-142-0403-011	142-0403-011	D	Gold	161/U, 174, 188, 316, LMR-100				
530-142-0407-011	142-0407-011	D	Gold	58/U, 141, 303, LMR-195				
530-142-0408-011	142-0408-011	D	Gold	55/U, 142, 223, 400				
Right Angle Plugs - Flexible Cable - Captivated Contacts								
530-142-0402-101	142-0402-101	E	Gold	178/U, 196				
530-142-0403-101	142-0403-101	E	Gold	161/U, 174, 188, 316, LMR-100				
530-142-0403-106	142-0403-106	E	Gold	161/U, 174, 188, 316, LMR-100				
530-142-0435-101	142-0435-101	E	Gold	LMR-240, RF-195				
530-142-0203-101	142-0203-101	E	Gold	161/U, 174, 188, 316, LMR-100				
530-142-0404-101	142-0404-101	E	Gold	188 DS, 316 DS				
530-142-0408-101	142-0408-101	E	Gold	55/U, 142, 223, 400				
Jacks								
530-142-0593-001	142-0593-001	F	Gold	Straight Semi-Rigid Cable .086				
530-142-0593-401	142-0593-401	G	Gold	Straight Semi-Rigid Cable .086 Rear Mount Bulkhead				
530-142-0594-401	142-0594-401	G	Gold	Straight Semi-Rigid Cable .141 Rear Mount Bulkhead				
530-142-0303-011	142-0303-011	H	Gold	Straight Flex Cable 161/U, 174, 188, 316, LMR-100				
530-142-0302-431	142-0302-431	I	Gold	Straight Flex Cable 178/U, 196 - Bulkhead				
530-142-0303-411	142-0303-411	I	Gold	Straight Flex Cable 161/U, 174, 188, 316 - Bulkhead				

SMA CONNECTOR TOOLING

Crimp Tools

For quantities greater than listed, call for quote.

MOUSER STOCK NO.	Johnson Components Part No.	Fig.	Description / Cable Type	Price Each	
				1	5
530-140-0000-952	140-0000-952	J	Economy Hand Crimp Tool (Frame Only)		
530-140-0000-951	140-0000-951	---	Die for (RG 178,316/DS,58,142,735A,LMR-100,195,200)		

Semi-Rigid Assembly Tools

For quantities greater than listed, call for quote.

MOUSER STOCK NO.	Johnson Components Part No.	Fig.	Description / Cable Type	Price Each			
				1	10	25	100
530-140-0000-982	140-0000-982	--	Soldering Mating Fixture for SMA Plugs				
530-140-0000-973	140-0000-973	--	Soldering Mating Fixture for SMA Jacks				

SMK (2.92MM) 40 GHZ CONNECTORS

- Connector Mating: per MIL-STD-348
- Impedance: 50Ω
- Connector Body: Stainless Steel
- Temperature Range: -65°C to 165°C
- Frequency Range: 0-40GHz
- Durability: 500 Cycles Minimum
- Contacts: Gold Plated

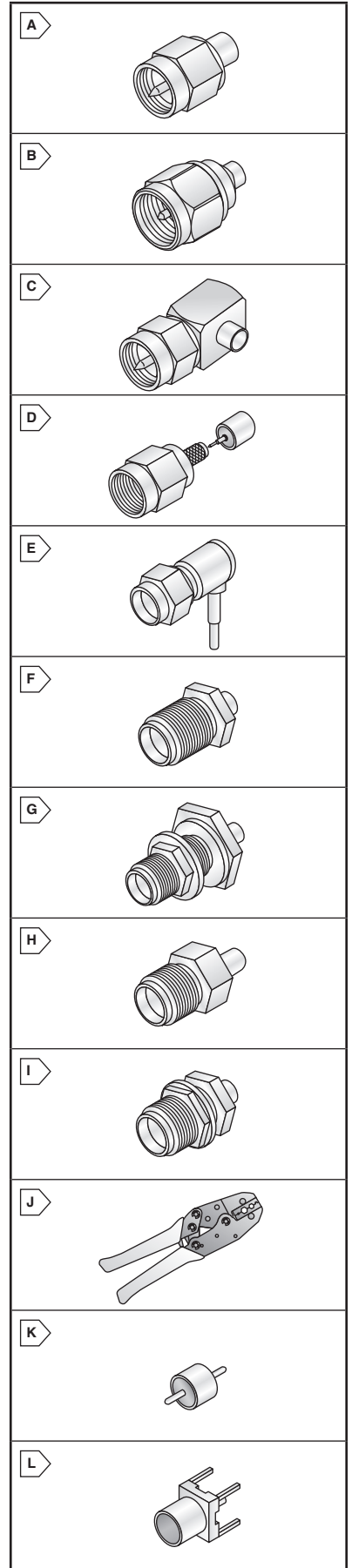
For quantities greater than listed, call for quote.

MOUSER STOCK NO.	Johnson Components Part No.	Fig.	Description / Cable Type	Price Each			
				1	10	25	100
Straight Plugs for Semi-Rigid							
530-145-0693-001	145-0693-001	K	.086 Semi-Rigid, with Contact, Slide-On Nut; Gold				
530-145-0693-002	145-0693-002	K	.086 Semi-Rigid, with Contact, Slide-On Nut; Passivated				
Receptacles							
530-142-1000-033	142-1000-033	L	Hermetic Seal Feed-Thru; Gold				

SMK SEMI-RIGID ASSEMBLY TOOLS

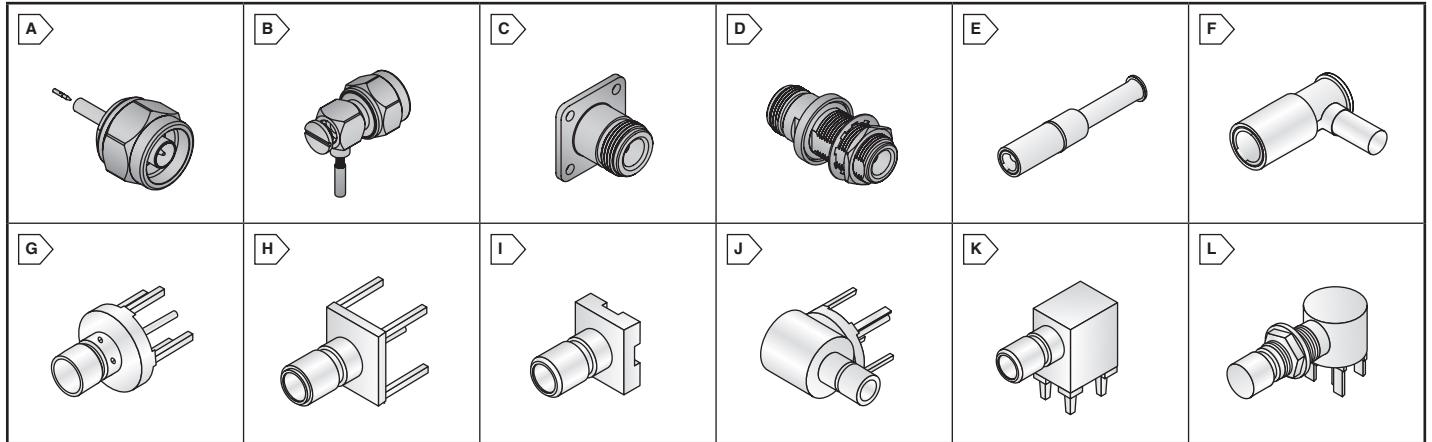
For quantities greater than listed, call for quote.

MOUSER STOCK NO.	Johnson Components Part No.	Fig.	Description / Cable Type	Price Each	
				1	5
530-140-0000-957	140-0000-957	--	SMK Bead Assembly Tool, Semi-Rigid Plugs, All Cables		
530-140-0000-959	140-0000-959	--	SMK Body Soldering Tool, .141" Plug		
530-140-0000-961	140-0000-961	--	SMK Contact Soldering Tool, .141" Plug		
530-140-0000-968	140-0000-968	--	SMK Vise Stop (2.92 mm)		
530-140-0000-962	140-0000-962	--	Soldering Vise (Requires Inserts and Stop Screw)		
530-140-0000-965	140-0000-965	--	Semi-Rigid Cable Clamp Insert for .141" Cable		



Johnson Components RF Connectors

JOHNSON COMPONENTS RF Connectors



N TYPE CONNECTORS

Features:

- Cabled contacts are captivated upon assembly
- Flexible cable contacts can be crimped or soldered
- Semi-Rigid cabled connectors are capable of operating to 18GHz
- Body Plating: Tri-Alloy and gold plating where soldering is required
- Impedance: 50Ω
- Frequency Range: up to 11GHz
- Contact Plating: Gold
- Body Plating: Tri-Alloy and gold plating where soldering is required

Applications:

- Antennas
- Base stations
- Broadcast
- Cable assemblies
- Cellular
- Instrumentation
- Microwave radio
- Radios
- Radar
- RF and microwave components
- Satcom
- Surge protection
- WLAN

For quantities greater than listed, call for quote.

MOUSER STOCK NO.	Johnson Components Part No.	Fig.	Body Plating	Description / Cable Type	RoHS	Price Each		
						1	10	25
Straight Plug - Crimp - Flexible Cable								
530-138-4449-007	138-4449-007	A	Tri-Alloy	LMR400, Belden 9913	No			
Right Angle Plug - Crimp - Flexible Cable Captivated Contact								
530-138-4407-107	138-4407-107	B	Tri-Alloy	RG58/U, 141 303	No			
Panel Mount Receptacles								
530-138-4701-607	138-4701-607	C	Tri-Alloy	4 Hole Flange Mount, Flush Dielectric, Solder Cup	No			
Adapter								
530-138-4901-407	138-4901-407	D	Tri-Alloy	Jack to Bulkhead Jack	No			

SMB CONNECTORS

- Impedance: 50Ω
- Connector Bodies: Machined Brass
- Body Plating: Gold or Nickel
- Durability: 500 Cycles minimum
- Insulators: PTFE Fluorocarbon
- Temperature Range: -65°C to +165°C
- Frequency Range: 0-4.0GHz for Flexible Cable Types
- Contact Plating: Gold



RoHS Compliant

For quantities greater than listed, call for quote.

MOUSER STOCK NO.	Johnson Components Part No.	Fig.	Body Plating	Description / Cable Type	Price Each			
					1	10	25	
Straight Plugs - Flexible Cable								
530-131-1403-001	131-1403-001	E	Gold	.161/U, .174, .188, .316, LMR-100				
530-131-1403-016	131-1403-016	E	Nickel	.161/U, .174, .188, .316, LMR-100				
Right Angle Plugs								
530-131-1403-101	131-1403-101	F	Gold	.161/U, .174, .188, .316, LMR-100, Flex Cable				
530-131-1403-116	131-1403-116	F	Nickel	.161/U, .174, .188, .316, LMR-100, Flex Cable				
530-131-1801-371	131-1801-371	F	Gold	PCB Mount, .110" Legs, Die Cast				
Vertical PCB Jacks								
530-131-3701-201	131-3701-201	G	Gold	.155" Legs, Machined Brass, .312" Diameter Base				
530-131-3701-206	131-3701-206	G	Nickel	.155" Legs, Machined Brass, .312" Diameter Base				
530-131-3701-261	131-3701-261	H	Gold	.155" Legs, Machined Brass, .236" Square Base				
530-131-3701-271	131-3701-271	H	Gold	.095" Legs, Machined Brass, .236" Square Base				
530-131-3711-201	131-3711-201	I	Gold	.250" Square Base, Machined Brass				
Right Angle PCB Jacks								
530-131-3701-301	131-3701-301	J	Gold	.155" Legs, Machined Brass				
530-131-3701-306	131-3701-306	J	Nickel	.155" Legs, Machined Brass				
530-131-1701-371	131-1701-371	K	Gold	.110" Legs, Die Cast				
530-131-1701-376	131-1701-376	K	Nickel	.110" Legs, Die Cast				
530-131-3701-501	131-3701-501	L	Gold	Bulkhead, .083" Legs, Machined Brass				
530-131-3701-341	131-3701-341	L	Gold	Bulkhead, .155" Legs, Machined Brass				
530-131-3701-346	131-3701-346	L	Nickel	Bulkhead, .155" Legs, Machined Brass				

MINI SMB CONNECTORS

- Impedance: 75Ω
- Intermateable with standard 50Ω SMB
- Insulators: PTFE Fluorocarbon
- Durability: 500 cycles minimum



RoHS Compliant

For quantities greater than listed, call for quote.

MOUSER STOCK NO.	Johnson Components Part No.	Fig.	Body Plating	Description / Cable Type	Price Each			
					1	10	25	100
530-131-8403-001	131-8403-001	E	Gold	Straight Plug, RG-179, 187				
530-131-8403-101	131-8403-101	F	Gold	Right Angle Plug, RG-179, 187				
530-131-8701-201	131-8701-201	G	Gold	Vertical PCB Jack, .083" Legs, Machined Brass				
530-131-8701-206	131-8701-206	G	Nickel	Vertical PCB Jack, .083" Legs, Machined Brass				

JOHNSON COMPONENTS RF Connectors & Adaptors

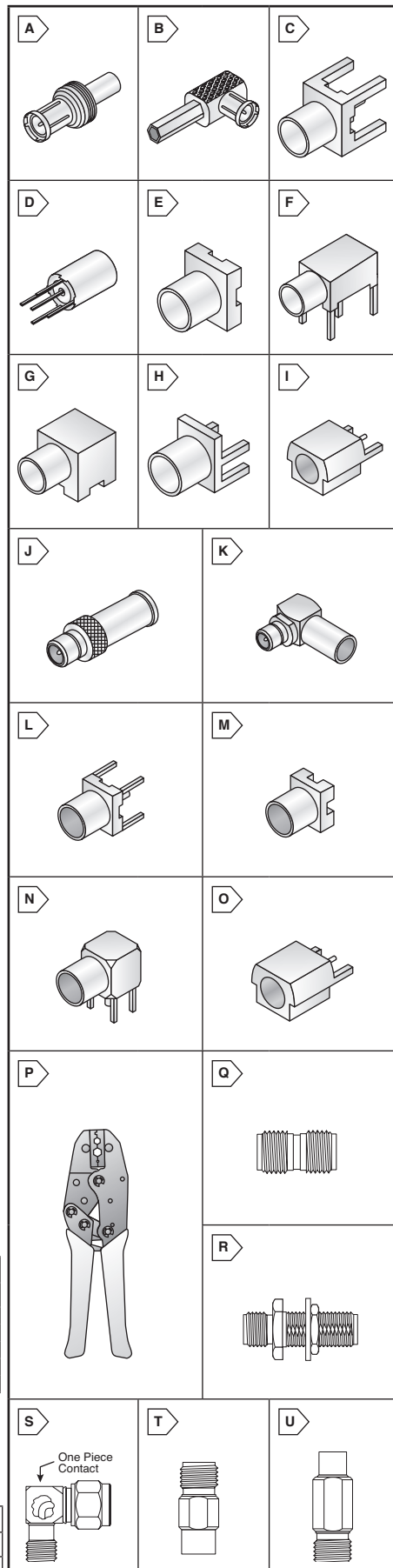
RoHS Compliant This product is RoHS compliant.

MCX CONNECTORS

- Impedance: 50Ω
- Connector Bodies: Machined Brass
- Body Plating: Gold or Nickel
- Durability: 500 Cycles minimum
- Frequency Range: 0-6.0 GHz for Flexible Cable Types
- Insulators: PTFE Fluorocarbon
- Temperature Range: -65°C to +165°C; Meets or exceeds MIL-C-39012
- Contact Plating: Gold

For quantities greater than listed, call for quote.

MOUSER STOCK NO.	Johnson Components Part No.	Fig.	Plating	Description / Cable Type	Price Each			
					1	10	25	100
Straight Plug - Flexible Cable								
530-133-3403-001	133-3403-001	A	Gold	RG-188/U, 316, 161, 174 - Captivated Contact				
Right Angle Plugs - Flexible Cable								
530-133-3402-101	133-3402-101	B	Gold	RG-178/U, 196 - Captivated Contact				
530-133-3403-101	133-3403-101	B	Gold	RG-188/U, 316, 161, 174 - Captivated Contact				
530-133-3403-106	133-3403-106	B	Nickel	RG-188/U, 316, 161, 174 - Captivated Contact				
Vertical PCB Jacks								
530-133-3701-201	133-3701-201	C	Gold	.155" Legs, .236" Square Base				
530-133-3701-211	133-3701-211	C	Gold	.110" Legs, .236" Square Base				
530-133-3701-216	133-3701-216	C	Nickel	.110" Legs, .236" Square Base				
530-133-3701-231	133-3701-231	D	Gold	.155" Legs, .188" Diameter Round Base				
530-133-3711-201	133-3711-201	E	Gold	.236" Square Base				
Right Angle PCB Jacks								
530-133-3701-301	133-3701-301	F	Gold	.155" Legs, .236" Square Base				
530-133-3701-311	133-3701-311	F	Gold	.110" Legs, .236" Square Base				
530-133-3711-301	133-3711-301	G	Gold	.236" Square Base				
End Launch Jacks								
530-133-3701-801	133-3701-801	H	Gold	.062" Board Thickness, .250" Sq. Mnt, Rnd Cont.				
530-133-3711-801	133-3711-801	I	Gold	Surface Mount, Round Contact				



MMCX CONNECTORS

- Impedance: 50Ω
- Connector Body: Brass
- Temperature Range: -65°C to 165°C
- Frequency Range: 0-6GHz
- Durability: 500 Cycles Minimum

For quantities greater than listed, call for quote.

MOUSER STOCK NO.	Johnson Components Part No.	Fig.	Plating	Description / Cable Type	Price Each		
					1	10	25
530-135-3402-001	135-3402-001	J	Gold	Straight Plug for RG-178/U, 196			
530-135-3403-001	135-3403-001	J	Gold	Straight Plug for RG-316/U, 188, 161, 174			
530-135-3402-101	135-3402-101	K	Gold	Right Angle Plug for RG-178/U, 196			
530-135-3403-101	135-3403-101	K	Gold	Right Angle Plug for RG-316/U, 188, 161, 174			
530-135-3701-201	135-3701-201	L	Gold	Vertical PCB Jack, .115" legs			
530-135-3701-211	135-3701-211	L	Gold	Vertical PCB Jack, .068" legs			
530-135-3711-201	135-3711-201	M	Gold	Surface Mount Vertical Jack, .030" legs			
530-135-3701-301	135-3701-301	N	Gold	Right Angle PCB Jack, .115" legs			
530-135-3701-311	135-3701-311	N	Gold	Right Angle PCB Jack, .068" legs			
530-135-3711-801	135-3711-801	O	Gold	End Launch Surface Mount Jack			

MMCX CONNECTOR TOOLING

For quantities greater than listed, call for quote.

MOUSER STOCK NO.	Johnson Components Part No.	Fig.	Description	Price Each	
				1	5
530-140-0000-952	140-0000-952	P	Economy Hand Crimp Tool (Frame Only)		
530-140-0000-953	140-0000-953	--	Die Set for Crimp Tool (RG178, 316/DS)		

IN-SERIES AND BETWEEN SERIES ADAPTERS

- Connector Body: Brass
- Body Plating: Gold
- Durability: 500 Cycles Minimum
- Temperature Range: -65°C to 165°C

For quantities greater than listed, call for quote.

MOUSER STOCK NO.	Johnson Components Part No.	Fig.	Description	Frequency Range	Price Each	
					1	10
530-142-0901-801	142-0901-801	Q	SMA Jack to SMA Jack	0-18GHz		
530-142-0901-401	142-0901-401	R	SMA Jack to SMA Jack (Bulkhead Type)	0-18GHz		
530-142-0901-941	142-0901-941	S	SMA Jack to SMA Plug (Right Angle)	0-18GHz		
530-134-1012-041	134-1012-041	T	SMA Jack to SMB Plug	0-4GHz		
530-134-1018-021	134-1018-021	U	SMA Jack to MCX Jack	0-6GHz		

IN-SERIES AND BETWEEN SERIES ADAPTER KIT

For quantities greater than listed, call for quote.

MOUSER STOCK NO.	Johnson Components Part No.	Description	Price Each	
			1	2
530-142-0000-005	142-0000-005	72 Piece Adapter Kit (SMA, BNC, RCA, AND N Types)		

TROMPETER RF Connectors

RoHS Compliant This product is RoHS compliant.



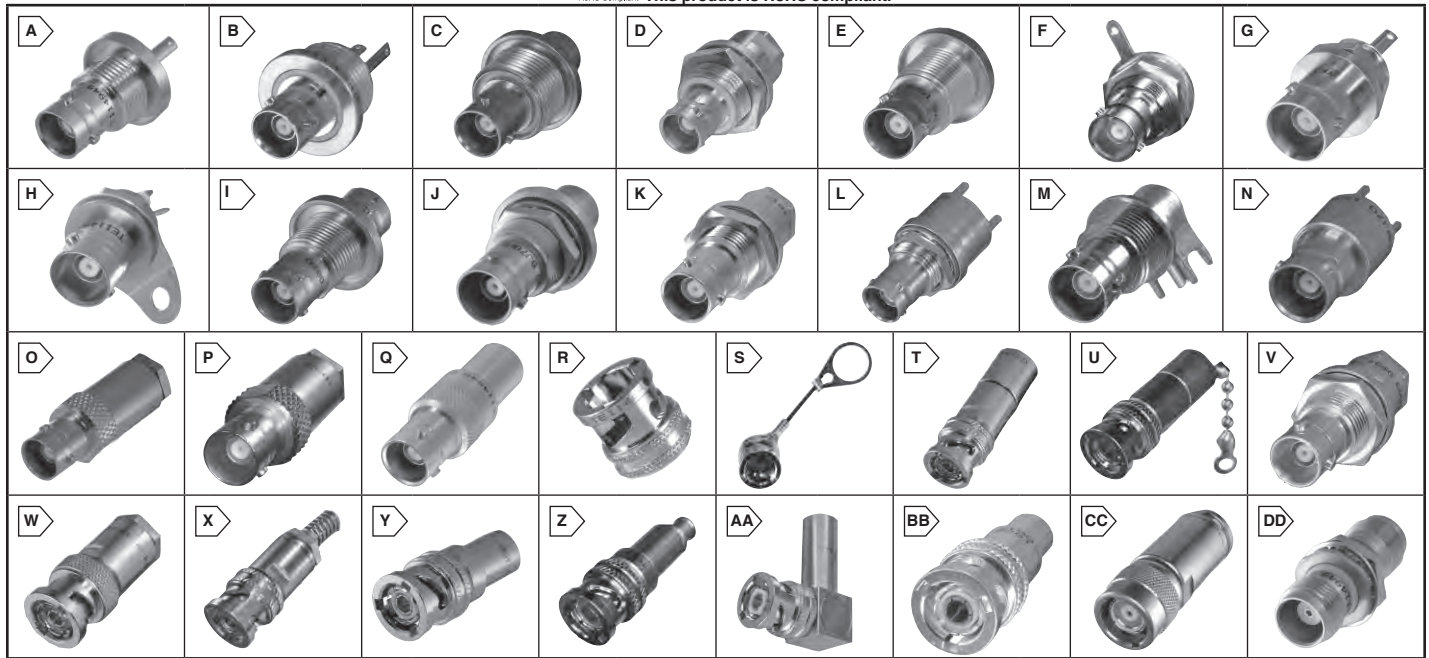
NEW SUPPLIER

NEW SUPPLIER

RF Connectors

Trompeter

NEW SUPPLIER



TRB CONNECTORS AND ACCESSORIES

For quantities greater than listed, call for quote.

MOUSER STOCK NO.	Trompeter Part No.	Fig.	Description	Price Each		
				1	10	25
Jacks						
530-BJ71	BJ71	A	Bulkhead Straight, Rear Mount, Solder Pot			
530-BJ72	BJ72	B	Bulkhead Insulated, Straight, Front Mount, 3-lug			
530-BJ73	BJ73	C	Bulkhead Insulated, Feed-through, Straight, 3-lug			
530-BJ74-47	BJ74-47	D	Bulkhead Insulated, Wrench Crimp, Straight, 3-lug for M17/176-00002 cable			
530-BJ75	BJ75	E	Bulkhead Insulated, Straight, Rear Mount, Solder Pot, 3-lug			
530-BJ76	BJ76	C	Bulkhead Straight, Rear Mount, Solder Pot, 3-lug			
530-BJ76FL	BJ76FL	F	Bulkhead Straight, Rear Mount, Solder Pot, 4-lug			
530-BJ76TL	BJ76TL	F	Bulkhead Straight, Rear Mount, Solder Pot, 2-lug			
530-BJ77	BJ77	G	Bulkhead Straight, Front Mount, Solder Pot			
530-BJ770	BJ770	G	Bulkhead Straight, Front Mount, Solder Pot, 3-lug			
530-BJ77FL	BJ77FL	H	Bulkhead Straight, Front Mount, Solder Pot, 4-lug			
530-BJ77TL	BJ77TL	H	Bulkhead Straight, Front Mount, Solder Pot, 2-lug			
530-BJ78	BJ78	I	Bulkhead Feed-thru, Straight, 3-lug			
530-BJ78HS	BJ78HS	J	Bulkhead Hermetically Sealed, Feed-thru			
530-BJ79-29	BJ79-29	K	Bulkhead Cable Wrench Crimp, Straight, 3-lug for TWC-78-1 cable			
530-BJ79-47	BJ79-47	K	Bulkhead Cable Wrench Crimp, Straight, 3-lug for M17/176-00002 cable			
530-CBBJ79	CBBJ79	L	Bulkhead Straight, Circuit Board Mount, 3-lug			
530-CBBJR79	CBBJR79	M	Bulkhead Right Angle, Circuit Board Mount, 3-lug			
530-CBBJR79TL	CBBJR79TL	M	Bulkhead Right Angle, Circuit Board Mount, 2-lug			
530-CBJ70	CBJ70	N	Straight, Circuit Board Mount, 3-lug			
530-CJ70-29	CJ70-29	O	Cable Wrench Crimp, Straight, 3-lug for TWC-78-1 cable			
530-CJ70-47	CJ70-47	P	Cable Wrench Crimp, Straight, 3-lug for M17/176-00002 cable			
530-CJ70C-201	CJ70C-201	Q	Cable Straight 3-lug M17/176-00002			
530-RF175-1	RF175-1	R	RFI Cap with No Chain			
530-RF175-13-D3	RF175-13-D3	S	RFI Cap with 3" Stainless Steel Lanyard, .505-.510" D-Ring			
530-TNG1-1-78	TNG1-1-78	T	Termination w/o Chain 78 Ohm			
530-TNG1-4-78	TNG1-4-78	U	Termination, 3 inch Brass Chain, 78 Ohm Resistance, No D Ring			
530-M49142/05-0008	M49142/05-0008	V	Bulkhead Wrench Crimp, QPL, Straight, 3-lug for M17/176-00002 cable			
Plugs						
530-PL74-7	PL74-7	W	Wrench Crimp, Straight, 2-lug for TRC-50-2 cable			
530-PL75-29	PL75-29	W	Wrench Crimp, Straight, 3-lug for TWC-78-1			
530-PL75-29BR	PL75-29BR	X	Wrench Crimp, Straight, Bend Relief Spring, 3-lug for TWC-78-1			
530-PL75-32	PL75-32	W	Wrench Crimp, Straight, 3-Lug for TRC-50-1 cable			
530-PL75-33	PL75-33	W	Straight for TRC-75-1 Cable 3-lug			
530-PL75-43	PL75-43	W	Wrench Crimp, Straight, 3-lug for 250-4044/250-4045			
530-PL75-45	PL75-45	W	Wrench Crimp, Straight, 3-lug for M27500-22TE2T14			
530-PL75-47	PL75-47	W	Wrench Crimp, Straight, 3-lug for M17/176-00002 cable			
530-PL75-47BR	PL75-47BR	X	Wrench Crimp, Straight, Bend Relief Spring, 3-lug for M17/176-00002			
530-PL75-7	PL75-7	W	Wrench Crimp, Straight, 3-lug for TRC-50-2			
530-PL75-9	PL75-9	W	Wrench Crimp, Straight, 3-lug for TWC-78-2			
530-PL75C-201	PL75C-201	Y	Full Crimp, Straight, 3-lug for M17/176-00002 cable			
530-PL75C-204	PL75C-204	Z	Full Crimp, Straight, 3-lug for 10602 cable			
530-PL75C-212	PL75C-212	Y	Full Crimp, Straight, 3-lug for 2524E0114 cable			
530-PL75C-222	PL75C-222	Y	Full Crimp, Straight, 3-lug for 10613 cable			
530-PL75C-303	PL75C-303	Z	Full Crimp, Straight, 3-lug for 752BA5314 cable			
530-PL75C-307	PL75C-307	Z	Full Crimp, Straight, 3-lug for TRC-75-1 cable			
530-PL75FL-47	PL75FL-47	W	Straight for M17/176-00002 Cable			
530-PLR75C-201	PLR75C-201	AA	Full Crimp, Right Angle, 3-lug for M17/176-00002 cable			
530-PLR75C-204	PLR75C-204	AA	Full Crimp, Right Angle, 3-lug, for 10602 cable			
530-M49142/03-0007	M49142/03-0007	P	Cable Wrench Crimp, QPL, Straight, 3-lug for TWC-78-2 cable			
530-M49142/03-0008	M49142/03-0008	P	Cable Wrench Crimp, QPL, Straight, 3-lug for M17/176-00002 cable			
530-M49142/03-0009	M49142/03-0009	P	Cable Wrench Crimp, QPL, Straight, 3-lug for M17/177-00001 cable			
530-M49142/03-0017	M49142/03-0017	BB	Cable Military Tool Crimp, QPL, Straight, 3-lug for M17/176-00001 cable			

TRC CONNECTORS

For quantities greater than listed, call for quote.

530-PL80-7	PL80-7	CC	TRC Plug, Wrench Crimp, Straight, 2-lug for TRC-50-2 cable			
------------	--------	----	--	--	--	--

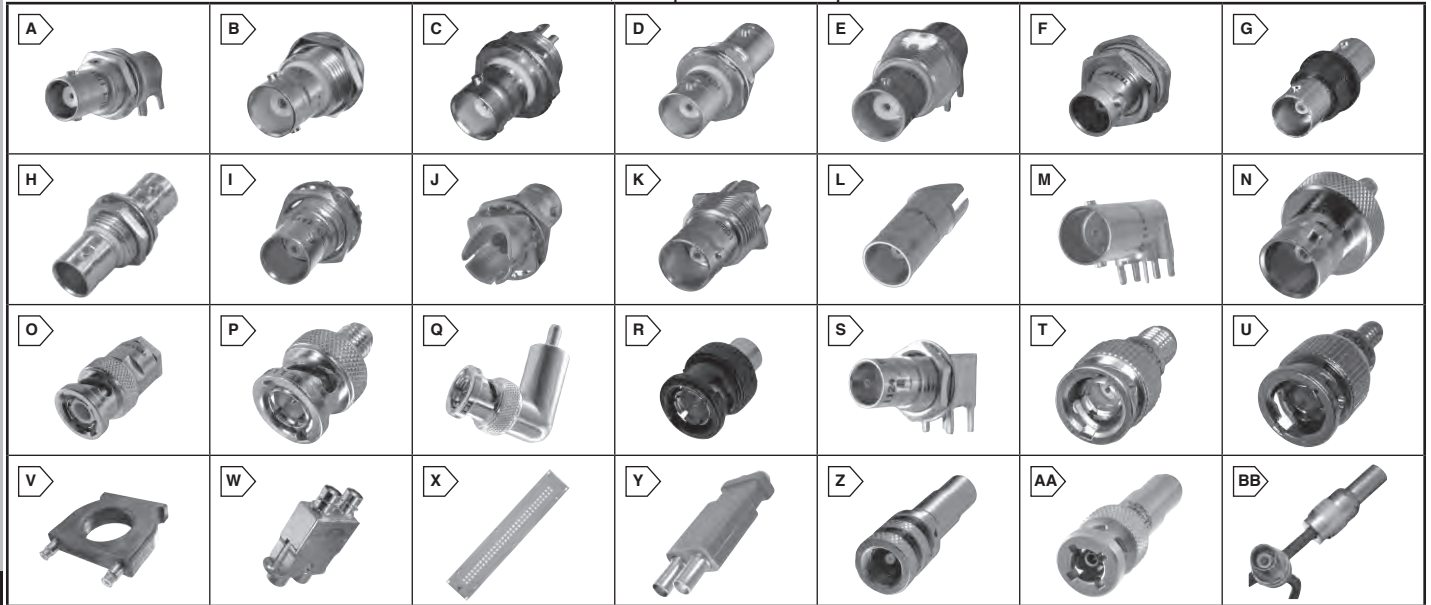
TNC CONNECTORS

For quantities greater than listed, call for quote.

530-BJ48	BJ48	DD	TNC Bulkhead Jack, 50 Ohm, Insulated, Straight, Feed-through			
----------	------	----	--	--	--	--

TROMPETER RF Connectors

 This product is RoHS compliant.



BNC CONNECTORS

For quantities greater than listed, call for quote.

MOUSER STOCK NO.	Trompeter Part No.	Fig.	Description	Impedance (Ω)	Price Each		
					1	10	25
Jacks							
530-6-0001-1	6-0001-1	A	Bulkhead Jack, 75 Ohm, Right Angle, Circuit Board Mount	75			
530-6-0001-2	6-0001-2	A	Bulkhead Jack, Straight, Rear Mount, Right Angle, Solder Pot	75			
530-BJ21	BJ21	B	Bulkhead Cable Jack, 50 Ohm, Insulated, Straight, Rear Mount, Solder Pot	50			
530-BJ27	BJ27	C	Bulkhead Jack, 50 Ohm, Insulated, Straight, Front Mount, Solder Pot	50			
530-BJ28	BJ28	D	Bulkhead Jack, 50 Ohm, Insulated, Straight, Feed-through	50			
530-CBBJR26	CBBJR26	E	Bulkhead Jack, Insulated, Right Angle, Circuit Board Mount	50			
530-UBJ220-009	UBJ220-009	F	Bulkhead Cable Jack, 75 Ohm, Full Crimp, Straight, Rear Mount for 8218 cable	75			
530-UBJ228	UBJ228	G	Bulkhead Jack, 75 Ohm, Insulated, Feed-thru, Overmold	75			
530-UBJ28	UBJ28	H	Bulkhead Jack, 75 Ohm, Insulated, Feed-thru, Spacers	75			
530-UCBBJE20-1	UCBBJE20-1	I	Bulkhead Jack, 75 Ohm, Circuit Board Edge Mount for .060 - .064 Board Thickness	75			
530-UCBBJE20-2	UCBBJE20-2	J	Bulkhead Jack, 75 Ohm, Circuit Board Edge Mount for .028 - .033 Board Thickness	75			
530-UCBBJE20-3	UCBBJE20-3	K	Bulkhead Jack, 75 Ohm, Circuit Board Edge Mount for .084 Board Thickness	75			
530-UCBJE20-1	UCBJE20-1	L	Jack, 75 Ohm, Circuit Board Edge Mount, .060-.064"	75			
530-UCBJR220	UCBJR220	M	Jack, 75 Ohm, Right Angle, Circuit Board Mount	75			
530-UCJ220-026	UCJ220-026	N	Cable Jack, 75 Ohm, Full Crimp, Straight, for AT&T 735 cable	75			
Plugs							
530-PL20-3	PL20-3	O	Plug, 50 Ohm, Wrench Crimp, Straight for RG-223 cable	50			
530-PL20-5	PL20-5	O	Plug, 50 Ohm, Wrench Crimp, Straight for RG-174 cable	50			
530-UPL2000-D1	UPL2000-D1	P	Plug, 75 Ohm, Full Crimp, Straight, for Comm/Scope 7538 cable	75			
530-UPL2000-D19	UPL2000-D19	P	Plug, 75 Ohm, Full Crimp, Straight, for Belden 1855A cable	75			
530-UPL2000-D2	UPL2000-D2	P	Plug, 75 Ohm, Full Crimp, Straight, for Belden 1505A cable	75			
530-UPL2000-D20	UPL2000-D20	P	Plug, 75 Ohm, Full Crimp, Straight, for Belden 1505F cable	75			
530-UPL2000-D4	UPL2000-D4	P	Plug, 75 Ohm, Full Crimp, Straight, for Belden 1694A cable	75			
530-UPL220-004	UPL220-004	P	Straight Plug for RG179/187 Cable	75			
530-UPL220-009	UPL220-009	P	Plug, 75 Ohm, Full Crimp, Straight, for 8218 cable	75			
530-UPL220-020	UPL220-020	P	Plug, 75 Ohm, Full Crimp, Straight, for 9248 cable	75			
530-UPL220-025	UPL220-025	P	Plug, 75 Ohm, Full Crimp, Straight, for AT&T 734 cable	75			
530-UPL220-026	UPL220-026	P	Plug, 75 Ohm, Full Crimp, Straight, for AT&T 735 cable	75			
530-UPLR220-025/T50	UPLR220-025/T50	Q	Plug, 75 Ohm, Full Crimp, Right Angle, for AT&T 734 cable	75			
530-UPLR220-026	UPLR220-026	Q	Plug, 75 Ohm, Full Crimp, Right Angle, for AT&T 735 cable	75			
Terminators							
530-UTNA2000	UTNA2000	R	Termination, 75 Ohm, High Frequency, No Chain	75			

MINI BNC CONNECTORS

For quantities greater than listed, call for quote.

MOUSER STOCK NO.	Trompeter Part No.	Fig.	Description	Price Each		
				1	10	25
530-6-0008	6-0008	S	Mini BNC Bulkhead Jack, Right Angle, Edge Launch			
530-UPL250-025	UPL250-025	T	Mini-BNC Plug, 75 Ohm, Full Crimp, Straight, for AT&T 734 cable			
530-UPL250-026	UPL250-026	U	Mini-BNC Plug, 75 Ohm, Full Crimp, Straight, for AT&T 735 cable			

COAX CONNECTORS

For quantities greater than listed, call for quote.

MOUSER STOCK NO.	Trompeter Part No.	Fig.	Description	Price Each		
				1	10	25
530-LPH-50	LPH-50	V	Coax Looping Plug, High Frequency and Power			

TWINAX PATCH JACKS, LOOPING PLUGS AND CONTACTS

For quantities greater than listed, call for quote.

MOUSER STOCK NO.	Trompeter Part No.	Fig.	Description	Price Each		
				1	10	25
530-J158	J158	W	TwinAx Patch Jack, Subminiature, Dual, Normal Through			
530-J72	J72	X	Standard Twinax Patch Jack, TRB Interface, 3-lug			
530-LPTW-78	LPTW-78	Y	Standard Twinax Looping Plug, 78 Ohm			
530-LPTWM2TP-78	LPTWM2TP-78	Y	Miniature Twinax Looping Plug, 78 Ohm, Two Test Points			
530-LPTWM-78	LPTWM-78	Y	Miniature Twinax Looping Plug, 78 Ohm			
530-PL3455ACP-221	PL3455ACP-221	Z	1553 Twinax Pin Contact, use with PL3455AC and 10614 cable			
530-PL3455ACS-201	PL3455ACS-201	Z	1553 Twinax Socket Contact, use with PL3455AC and M17/176-00002 cable			
530-PL455ACFLS-222	PL455ACFLS-222	AA	1553 Twinax Socket Contact, use with PL455ACFL and 10613 cable			
530-PTW-6-78	PTW-6-78	BB	Standard Twinax Patch Cord, 78 Ohm, 6 Inches Long			
530-PTWM-24-78	PTWM-24-78	BB	Miniature Twinax Patch Cord, 78 Ohm, 24 Inches Long			

TROMPETER RF Connectors

RoHS Compliant This product is RoHS compliant.

EMERSON
Network Power
Connectivity Solutions

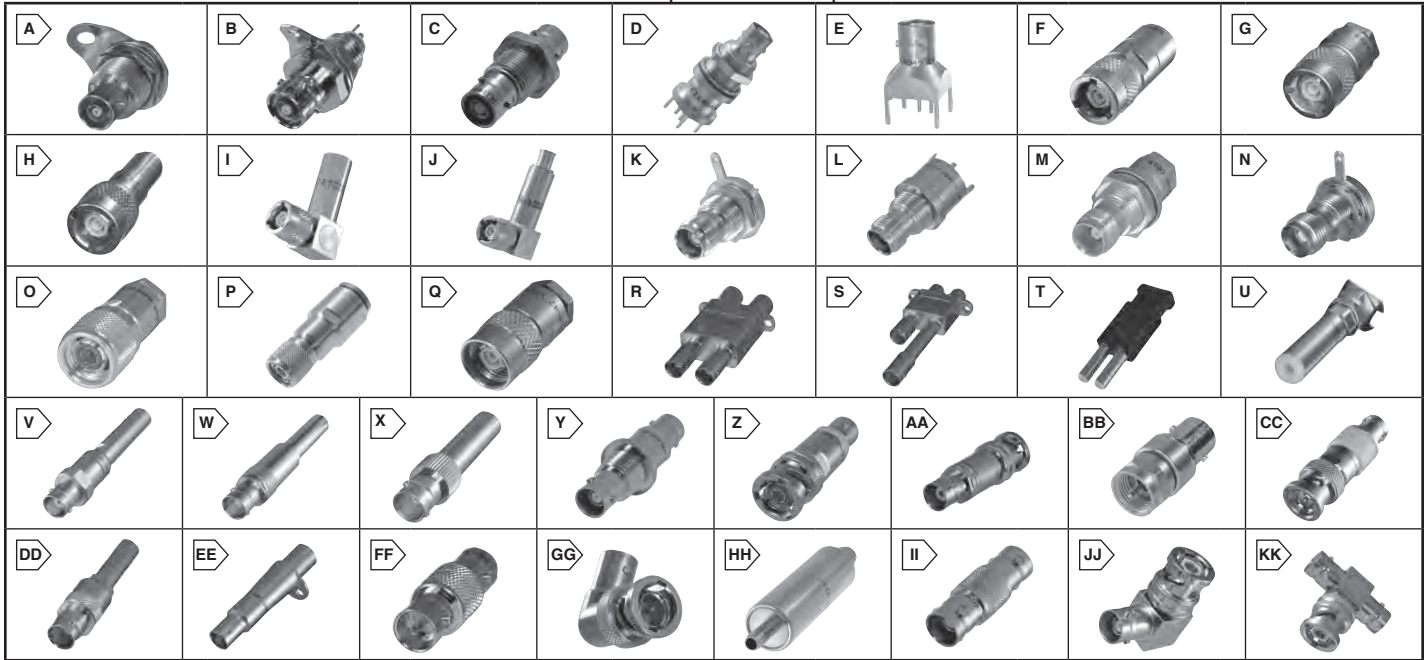
NEW SUPPLIER

NEW SUPPLIER

RF Connectors

Trompeter

NEW SUPPLIER



TRS CONNECTORS AND TERMINATORS

For quantities greater than listed, call for quote.

MOUSER STOCK NO.	Trompeter Part No.	Fig.	Description	Price Each		
				1	10	25
Jacks						
530-BJ150	BJ150	A	Bulkhead Push-on, Straight, Rear Mount, Solderpot, 3-lug			
530-BJ157	BJ157	B	Bulkhead, Straight, Front Mount, Solderpot, 3-lug			
530-BJ158	BJ158	C	Bulkhead, Feed-through, 3-lug			
530-CBBJ159	CBBJ159	D	Bulkhead, Straight, Rear Mount, Circuit Board Mount			
530-CBJ157	CBJ157	E	Straight, Circuit Board Mount, Solder Pot, 3 Lug			
530-TNGM1-1-78	TNGM1-1-78	F	Termination, No Chain, 78 Ohm Resistance, No D Ring			
530-TNGMFL1-1-78	TNGMFL1-1-78	F	Termination, No Chain, 78 Ohm Resistance, No D Ring			
Plugs						
530-PL155-29	PL155-29	G	Straight for TWC-124-1A Cable			
530-PL155-47	PL155-47	G	Wrench Crimp, Straight, 3-lug, for M17/176-00002 cable			
530-PL155AC-201	PL155AC-201	H	Full Crimp, Straight, 3-lug, for M17/176-00002 cable			
530-PL155ACFL-201	PL155ACFL-201	H	Straight for M17/176-00002			
530-PLR155AC-201	PLR155AC-201	I	Full Crimp, Right Angle, 3-lug, for M17/176-00002 cable			
530-PLR155AC-204	PLR155AC-204	I	Full Crimp, Right Angle, 3-lug, for 10602 cable			
530-PLR155ACFL-201	PLR155ACFL-201	J	Full Crimp, Right Angle, 4-lug, for M17/176-00002 cable			

TRT CONNECTORS

For quantities greater than listed, call for quote.

MOUSER STOCK NO.	Trompeter Part No.	Fig.	Description	Price Each		
				1	10	25
Jacks						
530-BJ376	BJ376	K	Bulkhead Straight, Rear Mount, Solder Pot, Threaded			
530-CBBJ379	CBBJ379	L	Bulkhead Straight, Circuit Board Mount, Non-Insulated, Threaded			
530-M49142/09-0006	M49142/09-0006	M	Bulkhead Wrench Crimp, QPL, Straight, 3-lug for M17/176-00002 cable			
530-M49142/10-0001	M49142/10-0001	N	Bulkhead Wrench Crimp, QPL, Straight, 3-lug Solder Pot			
Plugs						
530-M49142/08-0002	M49142/08-0002	O	Cable Wrench Crimp, QPL, Straight, 3-lug for TRC-50-2 cable			
530-M49142/08-0006	M49142/08-0006	O	Cable Wrench Crimp, QPL, Straight, 3-lug for M17/176-00002 cable			
530-PL375-13A	PL375-13A	P	Wrench Crimp, Straight, Threaded for 8232 cable			

TTM CONNECTORS

For quantities greater than listed, call for quote.

530-PL3155-47	PL3155-47	Q	TTM Cable Plug, Wrench Crimp, Straight, Threaded for M17/176-00002 cable			
---------------	-----------	---	--	--	--	--

WECO CONNECTORS

For quantities greater than listed, call for quote.

MOUSER STOCK NO.	Trompeter Part No.	Fig.	Description	Price Each		
				1	10	25
Jacks						
530-HDVDP	HDVDP	R	Full Size Patch Jack, Non-Terminated			
530-HDVDPM	HDVDPM	S	Mini Patch Jack, Normal Through			
530-HDVDPMT	HDVDPMT	S	Mini Patch Jack, Normal Through, Self Terminating			
Plugs						
530-LPMWHF	LPMWHF	T	Looping Plug, High Frequency			
530-LPW-75	LPW-75	U	Standard Looping Plug 50 ohm, Wide Center to Center Spacing			
530-PL1MWT-026	PL1MWT-026	U	Patch Plug with Locking Tab for WECO 735 Cable			

ADAPTERS

For quantities greater than listed, call for quote.

Between Series Adapters						
MOUSER STOCK NO.	Trompeter Part No.	Fig.	Description	1	10	25
530-AD1	AD1	V	BNC to RCA Coax Patch Adapter, Straight			
530-AD1W	AD1W	W	BNC to WECO Coax Patch Adapter, Straight			
530-AD1WHD	AD1WHD	X	BNC to WECO Coax Patch Adapter, Straight, High Definition			
530-ADBJ20-E1-BJ79	ADBJ20-E1-BJ79	Y	BNC Male-TRB Male Adapter			
530-ADBJ20-E1-PL75	ADBJ20-E1-PL75	Z	BNC Female-TRB Male Adapter Outer Shld			
530-ADBJ20-E2-PL75	ADBJ20-E2-PL75	AA	BNC Female-TRB Male Adapter Inner Shld			
530-AD1300	AD1300	BB	BNC Jack to F Plug			
530-ADBJ77-E1-PL20	ADBJ77-E1-PL20	CC	Adapter, Between Series, BNC Male to TRB Female			
530-ADMW12	ADMW12	DD	Mini-WECO Adapter, Patch Plug to 75 ohm BNC			
530-J3W	J3W	EE	Standard WECO Patch Jack, 75 Ohm, BNC Interface			
In Series Adapters						
530-UAD258	UAD258	FF	Mini-BNC Adapter, 75 Ohm			
530-UADRMF220	UADRMF220	GG	BNC Male to Female Adapter, 75 Ohm, Right Angle			
530-UCCS-025-026	UCCS-025-026	HH	BNC Adapter, 75 Ohm, In-Line Transition, 734 to 735 Cable			
530-AD78	AD78	II	TRB Barrel Adapter, Female to Female			
530-ADRMF70	ADRMF70	JJ	TRB Adapter, Male to Female, Right Angle			
530-BN73	BN73	KK	TRB 'T' Adapter, 3-lug			

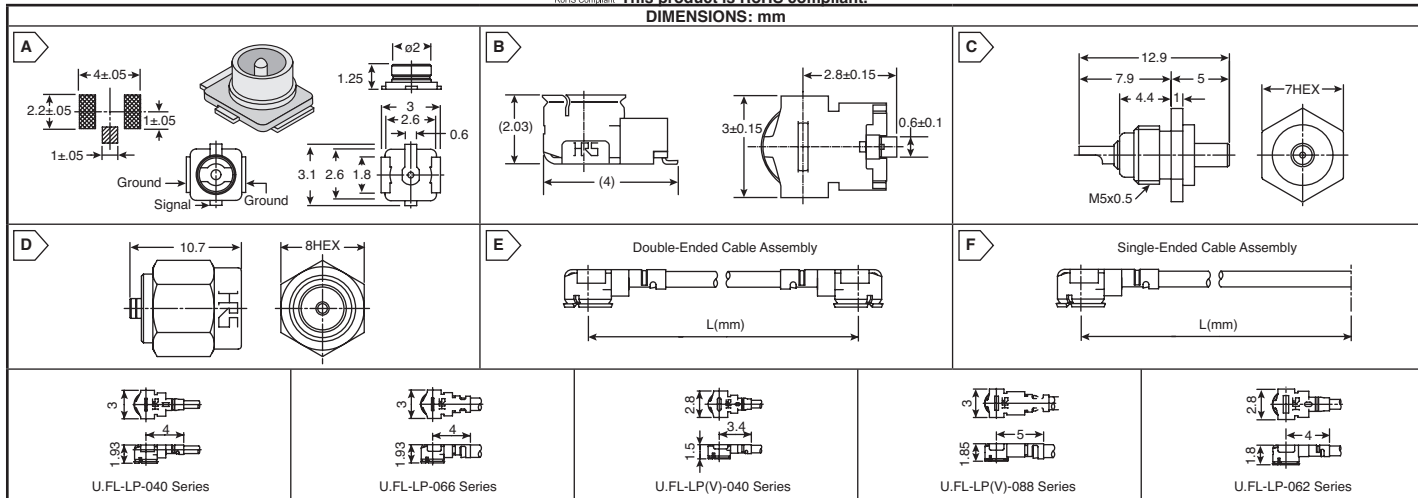
HIROSE Coaxial Connectors



HIROSE ELECTRIC CO., LTD.

This product is RoHS compliant.
RoHS Compliant

DIMENSIONS: mm



U.FL SERIES

Receptacles

For quantities greater than listed, call for quote.

MOUSER STOCK NO.	Hirose Part No.	Fig.	Contact Gender	Contact Plating	Body Plating	Termination Type	Packaging	Price Each			
								1	10	50	100
798-U.FL-R-SMT01	U.FL-R-SMT(01)	A	Male	Gold	Silver	SMT	Loose				
798-U.FL-R-SMT10	U.FL-R-SMT(10)	A	Male	Gold	Silver	SMT	Reel				

Plugs

For quantities greater than listed, call for quote.

MOUSER STOCK NO.	Hirose Part No.	Fig.	Contact Gender	Contact Plating	Body Plating	Termination Type	Packaging	Price Each			
								1	10	50	100
798-U.FLPR-SMT2.5110	U.FL-PR-SMT-2.5-1(10)	B	Female	Bronze	Gold	SMT	Reel				

Converter Adapters

For quantities greater than listed, call for quote.

MOUSER STOCK NO.	Hirose Part No.	Fig.	Adapter Type	Contact Plating	Body Plating	Packaging	Price Each			
							1	10	50	100
798-U.FL-R-1	U.FL-R-1	C	Receptacle to Inspection	Gold	Silver	Loose				
798-HRMPUFLJ40	HRMP-U.FLJ(40)	D	U.FL Jack/SMA Plug	Gold	Silver	Loose				

Cable Assemblies

For quantities greater than listed, call for quote.

MOUSER STOCK NO.	Hirose Part No.	Fig.	Cable Length (mm)	Cable Type	Cable Diameter (mm)	Mated Height (mm)	Shield	Price Each			
								1	10	50	100
Plug to Plug (Double-Ended) Cable Assembly - White - Low Profile											
798-U.FL2LPV04N1A100	U.FL-2LP(V)-04N1-A-(100)	E	100	04	0.81	1.9	Single				
798-U.FL2LPV04N1A200	U.FL-2LP(V)-04N1-A-(200)	E	200	04	0.81	1.9	Single				
798-U.FL2LPV04N1A500	U.FL-2LP(V)-04N1-A-(500)	E	500	04	0.81	1.9	Single				
Plug (Single-Ended) Cable Assembly - White											
798-U.FLLP04N1A200	U.FL-LP-04N1-A-(200)	F	200	04	0.81	2.4	Single				
Plug to Plug (Double-Ended) Cable Assembly - White											
798-U.FL2LP04N1A70	U.FL-2LP-04N1-A-(70)	E	70	04	0.81	2.4	Single				
798-U.FL2LP04N1A100	U.FL-2LP-04N1-A-(100)	E	100	04	0.81	2.4	Single				
798-U.FL2LP04N1A200	U.FL-2LP-04N1-A-(200)	E	200	04	0.81	2.4	Single				
798-U.FL2LP04N1A500	U.FL-2LP-04N1-A-(500)	E	500	04	0.81	2.4	Single				
798-U.FL2LP04N1A1000	U.FL-2LP-04N1-A-(1000)	E	1000	04	0.81	2.4	Single				
Plug to Plug (Double-Ended) Cable Assembly - Gray											
798-U.FL2LP066J1A100	U.FL-2LP-066J1-A-(100)	E	100	066	1.32	2.4	Double				
798-U.FL2LP066J1A200	U.FL-2LP-066J1-A-(200)	E	200	066	1.32	2.4	Double				
798-U.FL2LP066J1A500	U.FL-2LP-066J1-A-(500)	E	500	066	1.32	2.4	Double				
798-U.FL2LP066J1A1000	U.FL-2LP-066J1-A-(1000)	E	1000	066	1.32	2.4	Double				
798-U.FL2LP068N1A100	U.FL-2LP-068N1-A-(100)	E	100	068	1.13	2.4	Single				
798-U.FL2LP068N1A200	U.FL-2LP-068N1-A-(200)	E	200	068	1.13	2.4	Single				
798-U.FL2LP068N1A500	U.FL-2LP-068N1-A-(500)	E	500	068	1.13	2.4	Single				
798-U.FL2LP068N1A1000	U.FL-2LP-068N1-A-(1000)	E	1000	068	1.13	2.4	Single				
798-U.FL2LP088K1TA60	U.FL-2LP-088K1T-A-(60)	E	60	088	1.37	2.4	Single				
798-U.FL2LP088K1TA100	U.FL-2LP-088K1T-A-(100)	E	100	088	1.37	2.4	Single				
798-U.FL2LP088K1TA200	U.FL-2LP-088K1T-A-(200)	E	200	088	1.37	2.4	Single				
798-U.FL2LP088K1TA500	U.FL-2LP-088K1T-A-(500)	E	500	088	1.37	2.4	Single				
Plug to Plug (Double-Ended) Cable Assembly - Black - Low Profile											
798-U.FL2LPV04N2A500	U.FL-2LP(V)-04N2-A-(500)	E	500	04	0.81	1.9	Single				
Plug to Plug (Double-Ended) Cable Assembly - Black											
798-U.FL2LP04N2A100	U.FL-2LP-04N2-A-(100)	E	100	04	0.81	2.4	Single				
798-U.FL2LP04N2A200	U.FL-2LP-04N2-A-(200)	E	200	04	0.81	2.4	Single				
798-U.FL2LP068N2A1000	U.FL-2LP-068N2-A-(1000)	E	1000	068	1.32	2.4	Single				
798-U.FL2LP088K2TA100	U.FL-2LP-088K2T-A-(100)	E	100	088	1.37	2.4	Single				
798-U.FL2LP088K2TA200	U.FL-2LP-088K2T-A-(200)	E	200	088	1.37	2.4	Single				
798-U.FL2LP088K2TA500	U.FL-2LP-088K2T-A-(500)	E	500	088	1.37	2.4	Single				
798-U.FL2LP088K2TA1000	U.FL-2LP-088K2T-A-(1000)	E	1000	088	1.37	2.4	Single				

Tooling

For quantities greater than listed, call for quote.

MOUSER STOCK NO.	Hirose Part No.	Fig.	Description	Price Each			
				1	10	50	100
798-U.FL-LP-N-2	U.FL-LP-N-2	-	Extraction Tool for U.FL-LP-04/066/088				
798-U.FL-LP-N-201	U.FL-LP-N-2(01)	-	Extraction Tool for U.FL-LP-04/066/088				
798-U.FL-LP-V-N-2	U.FL-LP(V)-N-2	-	Extraction Tool for U.FL-LP(V)-040/U.FL-LP-062				

© Copyright 2014 Mouser Electronics

For current pricing, visit mouser.com

© Copyright 2014 Mouser Electronics

HIROSE Coaxial Connectors



This product is RoHS compliant.



HIROSE ELECTRIC CO., LTD.

W.FL SERIES

Receptacle

For quantities greater than listed, call for quote.

MOUSER STOCK NO.	Hirose Part No.	Fig.	Contact Gender	Contact Plating	Body Plating	Termination Type	Packaging	Price Each			
								1	10	50	100
798-W.FL-R-SMT-110	W.FL-R-SMT-1(10)	A	Male	Gold	Silver	SMT	Reel				

Cable Assemblies

For quantities greater than listed, call for quote.

MOUSER STOCK NO.	Hirose Part No.	Fig.	Cable Length (mm)	Cable Type	Cable Diameter (mm)	Mated Height (mm)	Wire Gauge	Price Each			
								1	10	50	100
Plug to Plug Cable Assembly - White											
798-W.FL2LP04N1A100	W.FL-2LP-04N1-A-(100)	B	100	04N	0.81	1.4	36				
798-W.FL2LP04N1A200	W.FL-2LP-04N1-A-(200)	B	200	04N	0.81	1.4	36				
798-W.FL2LP04N1A500	W.FL-2LP-04N1-A-(500)	B	500	04N	0.81	1.4	36				
798-W.FL2LP04N1A1000	W.FL-2LP-04N1-A-(1000)	B	1000	04N	0.81	1.4	36				
Plug to Plug Cable Assembly - Black											
798-W.FL2LP04N2A100	W.FL-2LP-04N2-A-(100)	B	100	04N	0.81	1.4	36				
798-WFL2LPG062N2DA35	W.FL-2LPG-062N2D-A(35)	B	35	062	1.00	1.4	33				
798-WFL2LPG062N2DA40	W.FL-2LPG-062N2D-A(40)	B	40	062	1.00	1.4	33				
798-WFL2LPG062N2DA70	W.FL-2LPG-062N2D-A(70)	B	70	062	1.00	1.4	33				
798-WFL2LPG062N2D100	W.FL-2LPG-062N2D-A(100)	B	100	062	1.00	1.4	33				

Tooling

For quantities greater than listed, call for quote.

MOUSER STOCK NO.	Hirose Part No.	Fig.	Description	Price Each
798-W.FL-LP-N	W.FL-LP-N	-	Extraction Tool	

H.FL SERIES

Receptacle

For quantities greater than listed, call for quote.

MOUSER STOCK NO.	Hirose Part No.	Fig.	Contact Gender	Contact Plating	Body Plating	Termination Type	Price Each			
							1	10	50	100
798-HFLRSMT01	H.FL-R-SMT(01)	C	Male	Gold	Silver	Thru-Hole				

Converter Adapters

For quantities greater than listed, call for quote.

MOUSER STOCK NO.	Hirose Part No.	Fig.	Adapter Type	Contact Plating	Body Plating	Price Each			
						1	10	50	100
798-HRMJ-H.FLP-340	HRMJ-H.FLP-3(40)	D	Adapter Plug/SMA Jack	Gold	Silver				
798-HRMP-H.FLJ40	HRMP-H.FLJ(40)	E	Adapter Jack/SMA Plug	Gold	Silver				

Tooling

For quantities greater than listed, call for quote.

MOUSER STOCK NO.	Hirose Part No.	Fig.	Description	Price Each
798-H.FL-LP-N	H.FL-LP-N	-	Extraction Tool	

HRM(V) SERIES Low-Cost SMA Coaxial Connectors

Receptacle

For quantities greater than listed, call for quote.

MOUSER STOCK NO.	Hirose Part No.	Fig.	Contact Gender	Contact Plating	Body Plating	Termination Type	Price Each			
							1	25	100	250
798-HRMV-306S	HRM(V)-306S	F	Female	Gold	Steel	Thru-Hole				

MS-147 SERIES Interface RF Connector with Switch

SMA Converter Adapter

For quantities greater than listed, call for quote.

MOUSER STOCK NO.	Hirose Part No.	Fig.	Adapter Type	Contact Plating	Body Plating	Price Each			
						1	10	50	100
798-MS-147-HRMJ-1	MS-147-HRMJ-1	G	Adapter Plug/SMA Jack	Gold	Silver				

MS-156C SERIES Subminiature Coaxial Adapters

SMA Converter Adapters

For quantities greater than listed, call for quote.

MOUSER STOCK NO.	Hirose Part No.	Fig.	Adapter Type	Contact Plating	Body Plating	Price Each			
						1	25	100	250
798-MS-156-HRMJ-2	MS-156-HRMJ-2	H	Simplified Lock, Straight, Short Floating (Self Pressing)	Gold	Silver				
798-MS156HRMJ12	MS-156-HRMJ-12	I		Gold	Silver				

MS-162 SERIES Miniature Interface Coaxial Switch

Receptacle

For quantities greater than listed, call for quote.

MOUSER STOCK NO.	Hirose Part No.	Fig.	Contact Gender	Contact Plating	Body Plating	Termination Type	Price Each			
							1	25	100	200
798-MS16201	MS-162(01)	J	Female	Gold	Gold	Coaxial				

Plug

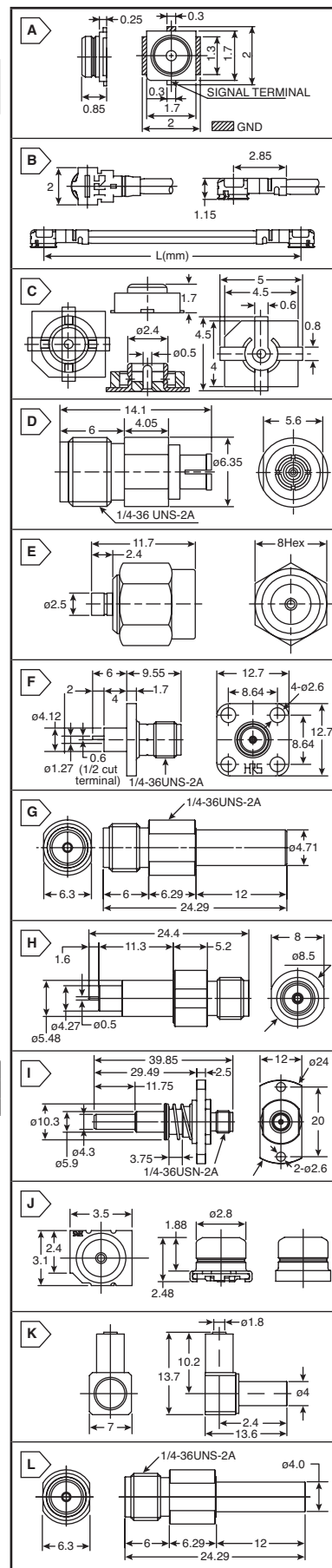
For quantities greater than listed, call for quote.

798-MS-162-CLP-1	MS-162-C(LP)-1	K	Male	Gold	Gold	Coaxial				
------------------	----------------	---	------	------	------	---------	--	--	--	--

SMA Converter Adapter

For quantities greater than listed, call for quote.

MOUSER STOCK NO.	Hirose Part No.	Fig.	Adapter Type	Contact Plating	Body Plating	Price Each			
						1	25	100	200
798-MS-162-HRMJ-1	MS-162-HRMJ-1	L	Adapter Plug/SMA Jack	Gold	Steel				



RF Connectors

Hirose

PRECISION TEST CONNECTORS

Features:

- 2.4mm mating interface
- Capable of handling 50 GHz analog signals
- Integrated center pin design
- Unique compression-mount design using two 0-80 UNF screws



For quantities greater than listed, call for quote.

MOUSER STOCK NO.	Molex Part No.	Fig.	Description	Mounting	Price Each		
					1	10	50
538-73387-0020	73387-0020	A	2.4mm Vertical Compression-Mount Jack	SMT			

BNC CONNECTORS

Features:

- Miniature
- Bayonet lock coupling
- Weatherproof

Specifications:

- Frequency Range: dc-4GHz
- Voltage Rating: 500Vrms
- Contact Plating: Gold
- Temperature: -65°C to +165°C
- Mounting: PCB

For quantities greater than listed, call for quote.

MOUSER STOCK NO.	Molex Part No.	Fig.	Impedance	PCB Mounting	Body Plating	Description	Price Each			
							1	10	25	50
538-73100-0153	73100-0153	B	50	Vertical	Nickel	Brass Body, .175" Legs				
538-73101-0030	73101-0030	C	75	Vertical	Nickel	Bulkhead, Metal Body, Fork Pins				
538-73100-0105	73100-0105	D	50	Right Angle	Nickel	Narrow Profile, .118" Legs				
538-73131-5003	73131-5003	E	50	Vertical	Nickel	Bulkhead, Black Valox Body				
538-73137-5003	73137-5003	F	50	Right Angle	Nickel	Bulkhead, Black Valox Body				
538-73100-0067	73100-0067	F	75	Right Angle	Nickel	Bulkhead, Black Valox Body				
538-73100-0069	73100-0069	F	75	Right Angle	Nickel	Bulkhead, White Valox Body				
538-73101-0040	73101-0040	F	75	Right Angle	Nickel	Bulkhead, Metal Body				
538-73101-0120	73101-0120	G	75	Right Angle	Nickel	Bulkhead, Metal Body, Low Profile				

SMA CONNECTORS

Features:

- Subminiature
- Threaded coupling

Specifications:

- Frequency Range: dc - 18GHz
- Voltage Rating: 335Vrms
- Temperature: -65°C to +165°C
- Contact Plating: Gold
- Impedance: 50Ω

For quantities greater than listed, call for quote.

MOUSER STOCK NO.	Molex Part No.	Fig.	Body Material	Plating	RG Cable	Price Each			
						1	10	25	50
Straight - Standard Mount									
538-73251-0450	73251-0450	H	Brass	Gold	174, 179, 187, 188, 316, LMR100 Belden 7805				
538-73251-0151	73251-0151	H	Stainless Steel	Passivated	174, 179, 187, 188, 316, LMR100 Belden 7805				
538-73251-0031	73251-0031	H	Stainless Steel	Gold	.141 Semi-Rigid				
Right Angle - Standard Mount									
538-73391-0230	73391-0230	I	Brass	Gold	174, 179, 187, 188, 316, LMR100 Belden 7805				

Jacks

Features:

- Subminiature
- Snap-on coupling

Specifications:

- Frequency Rating: dc-4GHz
- Voltage Rating: 500Vrms
- Temperature: -65°C to +165°C
- Contact Plating: Gold
- Impedance: 50Ω

For quantities greater than listed, call for quote.

MOUSER STOCK NO.	Molex Part No.	Fig.	Body Material	Plating	Description	Price Each			
						1	10	25	50
538-73391-0070	73391-0070	J	Brass	Gold	Vertical PCB, .157" Legs				
538-73391-0080	73391-0080	K	Zinc (Diecast)	Nickel	Right Angle PCB, .155" Legs				
538-73100-0114	73100-0114	K	Brass	Gold	Right Angle PCB, .155" Legs				
538-73251-0420	73251-0420	L	Stainless Steel	Passivated	2 hole flange, Blunt post				
538-73251-0250	73251-0250	L	Stainless Steel	Passivated	2 hole flange, Solder cup				
538-73251-0410	73251-0410	M	Stainless Steel	Passivated	4 hole flange, Blunt post				
538-73251-1290	73251-1290	N	Brass	Gold	Edgemount for .062 PCB				
538-73251-3460	73251-3460	O	Brass	Gold	PCB Edgemount				

SMB CONNECTORS

Features:

- Subminiature
- Snap-on coupling

- Body Material: Brass
- Plating: Gold

Specifications:

- Frequency Rating: dc-4GHz
- Voltage Rating: 500Vrms
- Temperature: -65°C to +165°C

For quantities greater than listed, call for quote.

MOUSER STOCK NO.	Molex Part No.	Fig.	Type	RG Cable	Impedance	Price Each			
						1	10	25	50
538-73100-0248	73100-0248	P	Straight solder/crimp cable	174, 179, 187, 188, 316	50 Ohm				
538-73100-0257	73100-0257	Q	Right angle solder/crimp cable	174, 188, 316	50 Ohm				

Jacks

Features:

- PCB Standoffs

Specifications:

- Frequency Rating: dc-4GHz
- Voltage Rating: 500Vrms
- Temperature: -65°C to +165°C
- Contact Plating: Gold
- Impedance: 50Ω

For quantities greater than listed, call for quote.

MOUSER STOCK NO.	Molex Part No.	Fig.	Type	Mounting	Impedance	Price Each			
						1	10	25	50
538-73100-0207	73100-0207	R	Vertical PCB, .155" Legs	PCB	50 Ohm				
538-73100-0103	73100-0103	S	Right Angle PCB, .118" Legs	PCB	50 Ohm				

SMP CONNECTORS

Features:

- Subminiature
- Snap-on coupling

Specifications:

- Frequency Rating: dc-4GHz
- Voltage Rating: 500Vrms
- Temperature: -65°C to +165°C
- Contact Plating: Gold
- Impedance: 50Ω

For quantities greater than listed, call for quote.

MOUSER STOCK NO.	Molex Part No.	Fig.	Body Material	Plating	Description	Price Each			
						1	10	25	50
538-73415-3320	73415-3320	T	Brass	Gold	Vertical Plug PCB Without Detent				

MCX CONNECTORS

Features:

- Subminiature
- Snap-on coupling

Specifications:

- Frequency Rating: dc-4GHz
- Voltage Rating: 500Vrms
- Temperature: -65°C to +165°C
- Contact Plating: Gold
- Impedance: 75Ω

For quantities greater than listed, call for quote.

MOUSER STOCK NO.	Molex Part No.	Fig.	Body Material	Plating	Description	1	10	25	50
538-73415-1631	73415-1631	U	Brass	Gold	Jack, PCB, SMT, 75 Ohms				

MMCX CONNECTORS

Features:

- Cable crimp
- Impedance: 50Ω
- Plating: Gold

Specifications:

- Frequency Rating: dc-4GHz
- Voltage Rating: 500Vrms
- Temperature: -65°C to +165°C
- Contact Plating: Gold
- Impedance: 50Ω

For quantities greater than listed, call for quote.

MOUSER STOCK NO.	Molex Part No.	Fig.	Type	RG Cable	Mounting	Price Each			
						1	10	25	50
538-73415-1251	73415-1251	V	Straight	174, 316, LMR100, Belden 7805	Standard				
538-73415-1121	73415-1121	W	Right Angle	174, 316, LMR100, Belden 7805	Standard				

Jacks

Features:

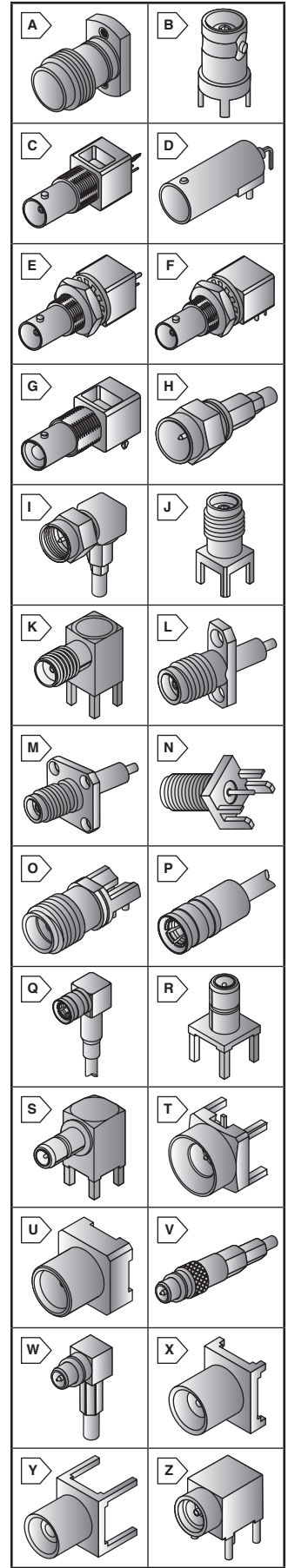
- Subminiature
- Snap-on coupling

Specifications:

- Frequency Rating: dc-4GHz
- Voltage Rating: 500Vrms
- Temperature: -65°C to +165°C
- Contact Plating: Gold
- Impedance: 50Ω

For quantities greater than listed, call for quote.

MOUSER STOCK NO.	Molex Part No.	Fig.	Type	Mounting	Price Each			
					1	10	25	50
538-73415-2061	73415-2061	X	Vertical, Surface Mount	PCB				
538-73415-1471	73415-1471	Y	Vertical, Surface Mount, .119" Legs	PCB				
538-73415-1001	73415-1001	Z	Right Angle, .118" Legs	PCB				



POMONA RF Connectors and Adapters



Pomona BNC WITHIN SERIES ADAPTERS

* Nickel plated brass For quantities greater than listed, call for quote.

MOUSER STOCK NO.		Fig.	Description	Insulation	Price Each		
Mfr.	Mfr. Part No.				1	25	50
565—3847		A	BNC Jack/Jack Hermetically sealed 50Ω	PTFE			
565—3534		B	BNC Jack/Plug Right Angle 50Ω	PTFE			
565—3283		C	BNC Jack/Jack 50Ω	PTFE			
565—3284		D	BNC Jack/Jack/Jack 50Ω	PTFE			

Pomona BETWEEN SERIES ADAPTERS AND KITS

* Nickel plating For quantities greater than listed, call for quote.

MOUSER STOCK NO.		Fig.	Description	Insulation	Price Each		
Mfr.	Mfr. Part No.				1	25	50
Adapters							
565—1269		E	BNC Jack to double stacking banana plug	ABS			
565—1270		F	BNC Plug to double stacking banana plug	ABS			
565—1452		G	BNC Jack to stackable binding posts	ABS			
565—1296		H	BNC Plug to stackable binding posts	ABS			
Kits							
565—5748		I	Maxi Universal coaxial RF adapter kit	-			
565—5698		I	Universal Adapter Kit	-			
565—6254		I	7/16 Din Adapter Kit	-			

Pomona BNC TERMINATIONS, ATTENUATORS, AND WITHIN SERIES ADAPTERS

* Nickel plating For quantities greater than listed, call for quote.

MOUSER STOCK NO.		Fig.	Description	Price Each		
Mfr.	Mfr. Part No.			1	25	50
Terminations						
565—4119-50		J	BNC Feed-Thru Termination, 50Ω			
565—4119-75		J	BNC Feed-Thru Termination, 75Ω			
565—5297		K	BNC plug to jack with DC-blocking Series Cap, 1000pF, 600V			
Adapters						
565—3846		L	BNC jack to BNC jack, 50Ω			
565—3533		M	BNC plug to BNC plug, 50Ω			
565—4896		N	BNC Plug/Jack/Jack, 50Ω			
565—6700		O	BNC Jack/Plug/Jack, In-line space saving, 50Ω			
565—6701		P	BNC Jack/Plug/Jack, Right angle space saving, 50Ω			
565—3285		Q	BNC Jack/Plug/Jack, Standard, 50Ω			
Attenuators						
* 565—4108		R	BNC 50Ω Attenuator			

*(select dB) -3DB, -6DB, -10DB, -14DB, -20DB

Pomona SMA 50 OHM WITHIN SERIES ADAPTERS & TERMINATORS

For quantities greater than listed, call for quote.

MOUSER STOCK NO.		Fig.	Description	Insulation	Price Each		
Mfr.	Mfr. Part No.				1	25	50
Adapters							
565—4283		S	SMA plug to SMA plug, gold plated	Teflon			
565—4284		T	SMA jack to SMA jack, gold plated	Teflon			
565—4282		U	SMA jack to SMA plug, Right Angle, gold plated	Teflon			
Terminators							
565—4286		V	SMA Terminator plug, 50Ω, gold plated	Teflon			
565—5088		W	SMA Shorting Cap, gold plated	-			

Pomona COAXIAL BETWEEN SERIES ADAPTERS

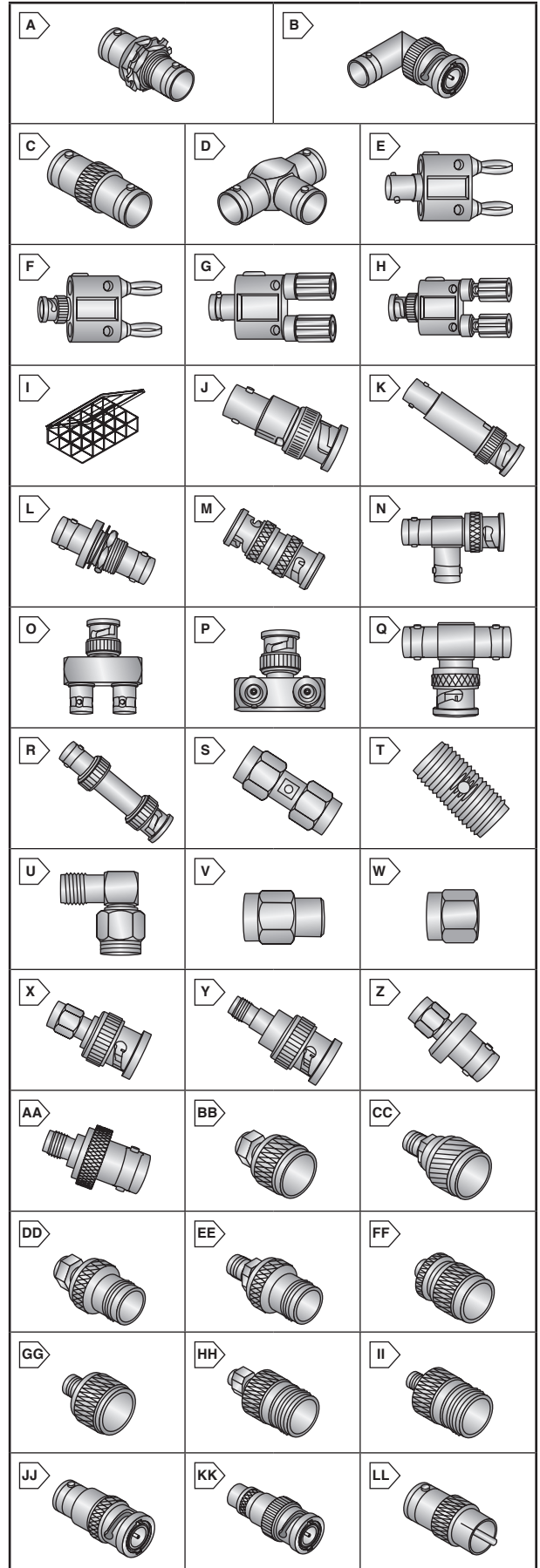
For quantities greater than listed, call for quote.

MOUSER STOCK NO.		Fig.	Description	Insulation	Price Each		
Mfr.	Mfr. Part No.				1	25	50
SMA to BNC							
565—4288		X	SMA plug to BNC plug, gold plated	Teflon			
565—4289		Y	SMA jack to BNC plug, gold plated	Teflon			
565—4290		Z	SMA plug to BNC jack, gold plated	Teflon			
565—4291		AA	SMA jack to BNC jack, gold plated	Teflon			
SMA to TNC							
565—4292		BB	SMA Plug to TNC Plug, gold plated	PTFE			
565—4293		CC	SMA Jack to TNC Plug, gold plated	PTFE			
565—4294		DD	SMA Plug to TNC Plug, gold plated	PTFE			
565—4295		EE	SMA Jack to TNC Plug, gold plated	PTFE			
SMA to Type N							
565—4296		FF	SMA Plug to type N Plug, gold plated	PTFE			
565—4297		GG	SMA Jack to type N Plug, gold plated	PTFE			
565—4298		HH	SMA Plug to type N Jack, gold plated	PTFE			
565—4299		II	SMA Jack to type N Jack, gold plated	PTFE			
565—5300		JJ	BNC Jack to Plug Triax, nickel plated brass	PTFE			

Pomona AUDIO/VIDEO ADAPTERS

For quantities greater than listed, call for quote.

565—4054		KK	BNC plug to phono jack, nickel plating	-		
565—5319		LL	BNC female to phono plug	-		



RF Connectors Pomona

TE CONNECTIVITY BNC Connectors



This product is RoHS compliant.

BNC PLUGS

- Bayonet lock coupling for quick connect/disconnect
- Fully interchangeable with comparable BNC UG/U connectors
- Single crimp connectors offer one crimping operation

- UL approved: File No. E81956
- CSA approved: File No. LR 7189

Specifications:

- Center contact plating: Gold

Dielectric: is either polyethylene (PE), polymethylpentene (PM), polypropylene (PP), or TEFLON (T).

* Silver Center Contact Plating

For quantities greater than listed, call for quote.

MOUSER STOCK NO.	TE Part No.	Fig.	Description	Body Plating	Dielectric	Cable Type RG/U	Price Each		
							1	10	25
50 Ohm									
571-5330876	5330876	A	Mil, Single Crimp	Silver	T	178, 178A, 178B, 196, 196A			
571-2-5221128-1	2-5221128-1	B	Commercial, Hex Crimp	Nickel	PE	174, 188, 188A, 316			
571-1-5227079-6	1-5227079-6	C	Commercial, Dual Crimp	Nickel	PE	174, 188, 188A, 316			
571-52253957	5225395-7	D	Mil, Dual Crimp	Nickel	T	174, 188, 188A, 316			
* 571-2-5221128-3	2-5221128-3	B	Commercial, Hex Crimp	Nickel	PE	179, 179A, 179B, 161, 187, 187A, Belden 9221			
571-652270797	6-5227079-7	C	Commercial, Dual Crimp	Nickel	PE	Belden 8219			
571-6-5227079-8	6-5227079-8	C	Commercial, Dual Crimp	Nickel	PE	Belden 9907, 89907 Comm/Scope 2104			
571-5227079-5	5227079-5	C	Commercial, Dual Crimp	Nickel	PE	58, 58A, 58B, 58C			
571-5227079-9	5227079-9	C	Commercial, Dual Crimp	Nickel	PE	58, 58A, 58B, 58C			
571-5225395-1	5225395-1	D	Mil, Dual Crimp	Nickel	T	58, 58A, 58B, 58C			
571-5227079-6	5227079-6	C	Commercial, Dual Crimp	Nickel	PE	223, 55, 55A, 55B			
571-5225395-3	5225395-3	D	Mil, Dual Crimp	Nickel	T	223, 55, 55A, 55B			
571-5225395-6	5225395-6	D	Mil, Dual Crimp	Nickel	T	142, 142A, 142B, 400			
571-1-5221128-1	1-5221128-1	B	Commercial, Hex Crimp	Nickel	PE	124, 140, 210, 62, 62A, 62B, 59, 59A, 59B, Belden 9291, 9209, 9269			
571-5227079-7	5227079-7	C	Commercial, Dual Crimp	Nickel	PE	124, 140, 210, 62, 62A, 62B, 59, 59A, 59B, Belden 9291, 9209, 9269			
571-5225395-2	5225395-2	D	Mil, Dual Crimp	Nickel	T	124, 140, 210, 62, 62A, 62B, 59, 59A, 59B, Belden 9291, 9209, 9269			
75 Ohm									
571-5413589-8	5413589-8	E	Hex Crimp	Nickel	PE	179, 179A, 179B, 187, 187A, 161, Belden 9221			
571-5221185-8	5221185-8	E	Dual Crimp	Nickel	PE	179, 179A, 179B, 187, 187A, 161, Belden 9221			
571-5221185-2	5221185-2	E	Dual Crimp	Nickel	PE	140, 210, 62, 62A, 62B, 59, 59A, 59B, Belden 9291, 9209, 9269			
571-5221185-9	5221185-9	E	Dual Crimp	Nickel	PE	Belden 8212, 9104, 9112, 9167, 9240, 9259, 9266, Times FM-59, (RG-59 Type with 20 AWG C.C.)			

BNC RIGHT ANGLE PLUGS

• Center contact plating: Gold

For quantities greater than listed, call for quote.

MOUSER STOCK NO.	TE Part No.	Fig.	Description	Body Plating	Dielectric	Cable Type	Price Each
571-5413959-3	5413959-3	F	Commercial, Hex Crimp	Nickel	PM	174, 188, 188A, 316	
571-5225973-4	5225973-4	G	Mil, Dual Crimp	Silver	T	142, 142A, 142B, 400	

BNC JACKS

• Center contact plating: Gold

For quantities greater than listed, call for quote.

50 Ohm									
MOUSER STOCK NO.	TE Part No.	Fig.	Description	Body Plating	Dielectric	Cable Type	Price Each		
571-5413779-3	5413779-3	H	Commercial, Hex Crimp	Nickel	PM	174, 188, 188A, 316			
571-5225396-1	5225396-1	I	Mil, Dual Crimp	Nickel	T	58, 58A, 58B, 58C			
571-5225396-7	5225396-7	I	Mil, Dual Crimp	Nickel	T	174, 188, 188A, 316			
75 Ohm									
571-5413760-3	5413760-3	J	Hex Crimp	Nickel	---	Belden 8218			

BNC BULKHEAD JACKS

• Center contact plating: Gold

For quantities greater than listed, call for quote.

50 Ohm									
MOUSER STOCK NO.	TE Part No.	Fig.	Description	Body Plating	Dielectric	Cable Type	Price Each		
571-1-5225398-5	1-5225398-5	K	Mil, Dual Crimp	Nickel	T	Times RD316			
571-5225398-1	5225398-1	K	Mil, Dual Crimp	Nickel	T	58, 58A, 58B, 58C			
571-5225398-7	5225398-7	K	Mil, Dual Crimp	Nickel	T	174, 188, 188A, 316			
75 Ohm									
571-5413590-8	5413590-8	L	Hex Crimp	Nickel	---	179, 179A, 179B, 161, 187, 187A, Belden 9221			
571-5221221-5	5221221-5	L	Dual Crimp	Nickel	---	179, 179A, 179B, 161, 187, 187A, Belden 9221			
Front Mount with Solder Terminal									
571-5221244-1	5221244-1	M	---	Nickel	PE	---			
Rear Mount									
571-5414217-1	5414217-1	N	---	Nickel	PE	---			

RIGHT ANGLE METALLIZED JACK CONNECTORS

• 50 Ohm • PC board mount

For quantities greater than listed, call for quote.

MOUSER STOCK NO.	TE Part No.	Fig.	Body Plating	Center Contact Length: in. (mm)	Mounting Height: in. (mm)	Price Each			
						1	10	25	100
571-5413631-1	5413631-1	O	Nickel	.171 (4.34)	.432 (10.97)				

BNC JACK CONNECTORS

• 75 Ohm • Mounting Post • PC board/panel mount

For quantities greater than listed, call for quote.

MOUSER STOCK NO.	TE Part No.	Fig.	Description	Contact Finish	Mounting Height: mm (in.)	Price Each			
						1	10	25	100
571-5222132-1	5222132-1	P	Vertical, Metal	Gold 30µ"i	34.93 (1.375)				
571-5413194-1	5413194-1	Q	Right Angle, VALOX, White	Gold 30µ"i	13.88 (.519)				
571-5413194-2	5413194-2	Q	Right Angle, VALOX, Black	Gold 30µ"i	13.88 (.519)				
571-5222092-1	5222092-1	R	Right Angle, Metal	Gold 30µ"i	15.88 (.625)				

BNC METALLIZED JACK CONNECTORS

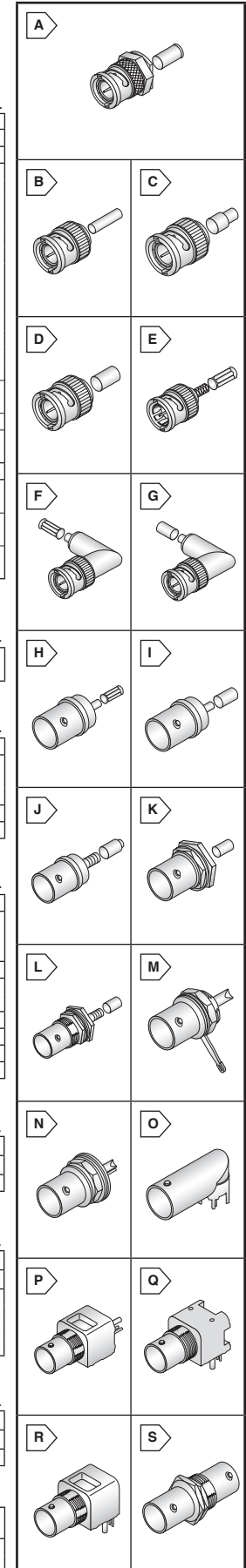
• 75 Ohm • PC board mount

For quantities greater than listed, call for quote.

MOUSER STOCK NO.	TE Part No.	Fig.	Description	Center Contact	Price Each			
					1	10	25	100
571-5222117-1	5222117-1	S	Bulkhead Jack-Jack Adapter, Nickel	Gold				

ACCESSORIES

MOUSER STOCK NO.	AMP Part No.	Fig.	Description	Price Each
571-13296322	1-329632-2	-	Lockwasher	
571-13296312	1-329631-2	-	Jam Nut	



TE CONNECTIVITY SMA Connectors

KOAXXA SMA RF CONNECTORS

TE Connectivity announces its next generation of RF products – the KOAXXA RF interconnects product family. This new offering from TE premieres today with the launch of the KOAXXA SMA product line.

Features:

- Fully compatible with IEC-169-15 standards
- Designed for 0-18 GHz performance
- Ability to mass customize products
- Global manufacturing footprints
- Large-scale manufacturing techniques
- Designed for fully automated
- 500 cycle mating durability

Applications:

- Test and measurement equipment
- Transmission equipment
- Base station and sub system components
- Smart grid meters
- Antennas
- Broadband communication equipment
- Routers
- Industrial solutions
- Mobile radio handsets
- Commercialized applications in Mil/Aero

Straight Cable Plugs

For quantities greater than listed, call for quote.

MOUSER STOCK NO.	TE Part No.	Fig.	Terminates to	Price Each			
				1	100	500	1000
571-SMA-PS-1A-S	SMA-PS-1A-S	A	RG 402 Semi-Rigid, RG 402 Conformable				
571-SMA-PS-1B-S	SMA-PS-1B-S	A	RD316, K0225D				
571-SMA-PS-1C-S	SMA-PS-1C-S	A	RG 405 Semi-Rigid, RG 405 Conformable				
571-SMA-PS-1D-S	SMA-PS-1D-S	A	RG 178, RG 196				
571-SMA-PS-1F-S	SMA-PS-1F-S	A	RG 174, RG 188, RG 316				
571-SMA-PS-1G-S	SMA-PS-1G-S	A	RG 58, RG 141, RG 223, RG 400, RG 142				

Right Angle Cable Plugs

For quantities greater than listed, call for quote.

MOUSER STOCK NO.	TE Part No.	Fig.	Terminates to	Price Each			
				1	100	500	1000
571-SMA-PR-1A-S	SMA-PR-1A-S	B	RG 402 Semi-Rigid, RG 402 Conformable				
571-SMA-PR-1B-S	SMA-PR-1B-S	B	RD316, K0225D				
571-SMA-PR-1C-S	SMA-PR-1C-S	B	RG 405 Semi-Rigid, RG 405 Conformable				
571-SMA-PR-1D-S	SMA-PR-1D-S	B	RG 178, RG 196				
571-SMA-PR-1F-S	SMA-PR-1F-S	B	RG 174, RG 188, RG 316				
571-SMA-PR-1G-S	SMA-PR-1G-S	B	RG 58, RG 141, RG 223, RG 400, RG 142				

Straight Cable Jacks

For quantities greater than listed, call for quote.

MOUSER STOCK NO.	TE Part No.	Fig.	Terminates to	Price Each			
				1	100	500	1000
571-SMA-JS-1A-S	SMA-JS-1A-S	C	RG 402 Semi-Rigid, RG 402 Conformable				
571-SMA-JS-1B-S	SMA-JS-1B-S	C	RD316, K0225D				
571-SMA-JS-1C-S	SMA-JS-1C-S	C	RG 405 Semi-Rigid, RG 405 Conformable				
571-SMA-JS-1D-S	SMA-JS-1D-S	C	RG 178, RG 196				
571-SMA-JS-1F-S	SMA-JS-1F-S	C	RG 174, RG 188, RG 316				
571-SMA-JS-1G-S	SMA-JS-1G-S	C	RG 58, RG 141, RG 223, RG 400, RG 142				

Bulkhead Cable Jacks

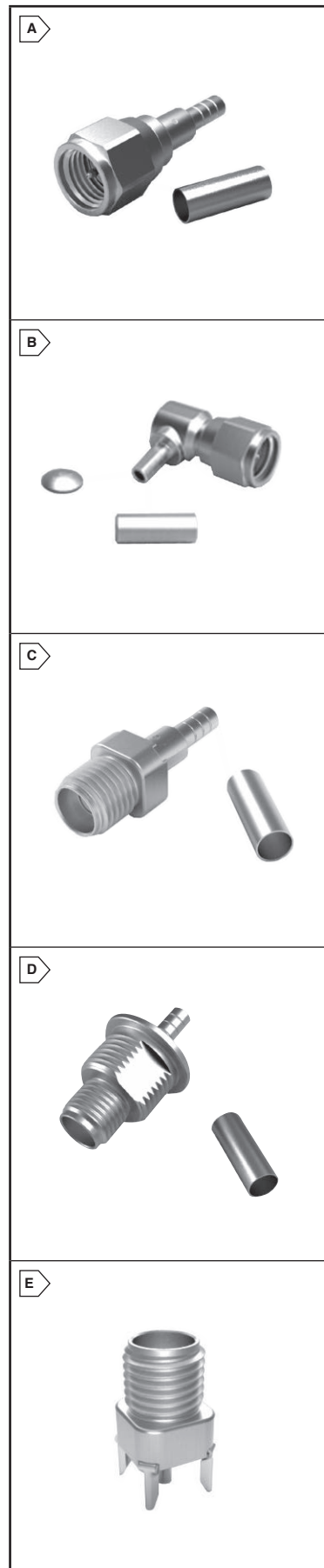
For quantities greater than listed, call for quote.

MOUSER STOCK NO.	TE Part No.	Fig.	Terminates to	Price Each			
				1	100	500	1000
571-SMA-JB-1A-S	SMA-JB-1A-S	D	RG 402 Semi-Rigid, RG 402 Conformable				
571-SMA-JB-1B-S	SMA-JB-1B-S	D	RD316, K0225D				
571-SMA-JB-1C-S	SMA-JB-1C-S	D	RG 405 Semi-Rigid, RG 405 Conformable				
571-SMA-JB-1D-S	SMA-JB-1D-S	D	RG 178, RG 196				
571-SMA-JB-1F-S	SMA-JB-1F-S	D	RG 174, RG 188, RG 316				
571-SMA-JB-1G-S	SMA-JB-1G-S	D	RG 58, RG 141, RG 223, RG 400, RG 142				

Vertical/Straight Board Mount Jack

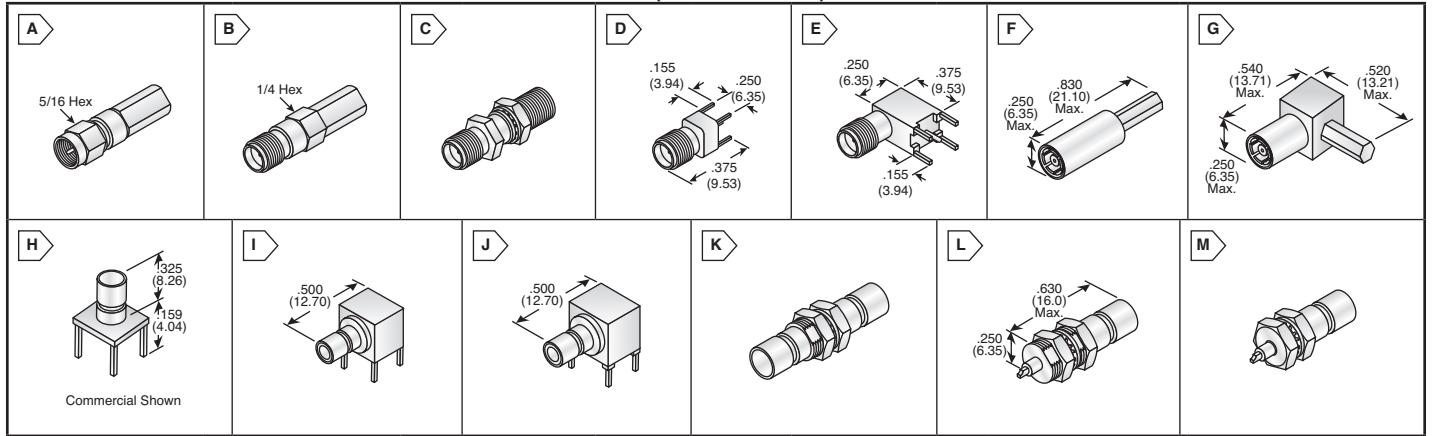
For quantities greater than listed, call for quote.

MOUSER STOCK NO.	TE Part No.	Fig.	Terminates to	Price Each			
				1	100	500	1000
571-SMA-JS-P1-S	SMA-JS-P1-S	E	PCB thickness 3.175 mm (.125 in.) max.				



TE CONNECTIVITY SMA and SMB Connectors

RoHS Compliant This product is RoHS compliant.



DIMENSIONS: mm (in.)

SMA CONNECTORS

Crimp Connectors

- Features:
 • Center Contacts • Body Material: Brass • Body Finish: Nickel

For quantities greater than listed, call for quote.

MOUSER STOCK NO.	TE Part No.	Fig.	Description	Cable Type RG/U	Price Each			
					1	10	25	100
571-5447647-3	5447647-3	A	Plug, Hex Crimp	174, 174A, 188, 188A, 316				
571-5447648-3	5447648-3	B	Jack, Hex Crimp	174, 174A, 188, 188A, 316				

Bulkhead Jack & Adapter

- Features:
 • Body Material: Stainless Steel • Body Finish: Passivated • Center Contact Material: Beryllium Copper • Center Contact Plating: Gold

For quantities greater than listed, call for quote.

MOUSER STOCK NO.	TE Part No.	Fig.	Description	Cable Type RG/U	Price Each			
					1	10	25	100
571-2216431	221643-1	C	Bulkhead Jack Adapter (Jack-Jack), front & rear mount	-----				

PC Board Jacks

- Features:
 • Center Contact Material: Beryllium Copper • Center Contact Plating: Gold • Dielectric: Teflon • Gasket Material: Silicone Rubber

For quantities greater than listed, call for quote.

MOUSER STOCK NO.	TE Part No.	Fig.	Description	Material and Finish	Price Each			
					1	10	25	100
571-221789-1	221789-1	D	Vertical	Brass and Gold				
571-221790-1	221790-1	E	Right Angle	Stainless Steel and Gold				

SMB PLUGS - 50 OHM

- Specifications:
 • Center Contact: Gold • 50 Ohm • TEFLON • Outer Contact: Gold • Other Metal Parts: Listed Below

For quantities greater than listed, call for quote.

MOUSER STOCK NO.	TE Part No.	Fig.	Description	Style	Cable Type RG/U	Price Each			
						1	10	25	100
571-4139856	413985-6	F	Nickel	Mil	178, 178A, 178B, 196, 196A				
571-4139851	413985-1	F	Gold	Mil	174, 316, 188, 188A				
571-4139853	413985-3	F	Nickel	Mil	174, 316, 188, 188A				
571-4140021	414002-1	G	Right Angle, Gold	Mil	174, 316, 188, 188A, 179, 179A, 179B, 161, 187, 187A, Belden 9221				
571-4140023	414002-3	G	Right Angle, Nickel	Mil	174, 316, 188, 188A, 179, 179A, 179B, 161, 187, 187A, Belden 9221				
571-5414363-3	5414363-3	G	Right Angle, Gold	Diecast	174, 316, 188, 188A, 179, 179A, 179B, 161, 187, 187A, Belden 9221				

SMB JACKS - 50 OHM

- Specifications:
 • Center Contact: Gold • 50 Ohm • TEFLON • Outer Contact: Gold • Other Metal Parts: Listed Below

For quantities greater than listed, call for quote.

MOUSER STOCK NO.	TE Part No.	Fig.	Description	Style	Cable Type RG/U	Price Each			
						1	10	25	100
571-5221111-1	5221111-1	H	PCB, Vertical, Nickel	Comm.	-----				
571-4139901	413990-1	H	PCB, Vertical, Gold	Mil	-----				
571-4139902	413990-2	H	PCB, Vertical, Nickel	Mil	-----				
571-4139962	413996-2	I	Bulkhead, Right Angle, Low Profile, Gold	Mil	-----				
571-4140262	414026-2	J	Bulkhead, Right Angle, w/standoff pads, Gold	Mil	-----				
571-2285531	228553-1	K	Bulkhead Adapter (Jack-Jack) Nickel	Mil	-----				

BULKHEAD PCB JACK, SOLDER RECEPTACLE KITS

Kit includes lockwasher and jam nut.

For quantities greater than listed, call for quote.

MOUSER STOCK NO.	TE Part No.	Fig.	Description	Body Plating	Dielectric	Style	Price Each			
							1	10	25	100
571-2282161	228216-1	L	Front Mount	Nickel	TEFLON	Mil				
571-2282151	228215-1	M	Rear Mount	Nickel	TEFLON	Mil				

TOOLS

For quantities greater than listed, call for quote.

MOUSER STOCK NO.	TE Part No.	Description	Cable Type RG/U	Price Each
571-585001	58500-1	Crimp Tool, 50 Ohm, Hex/Comm with Die Set	174, 316, 188, 179, 161, 187, RD 316, 188 Double Braid	
571-3549401	354940-1	Pro Crimper III Hand Tool without Die	-----	
571-584831	58483-1	Die Set, Mil Type Crimp	-----	

HIROSE Modular Connectors



This product is RoHS compliant.



HIROSE ELECTRIC CO., LTD.

TM SERIES

Features:

- Conforming to FCC standards. The 6-conductor model conforming to RJ-11 standards, the 8-conductor model conforming to RJ-45 and ISO8877 standards.

Applications:

- Telephones, Fax machines, Wireless applications, Modems, Intercoms, Computers, Communication equipment, LAN equipment, Medical equipment, Hubs, ISDN terminals

Foldable Open-Close RJ-45 Modular Jack

Features:

- Foldable open-close structure allows super slim device design
- Reusable flip-top when it comes off
- Optional flip-top hold down chassis design
- Secure grounding structure
- RJ-11 plug mis-insertion prevention



For quantities greater than listed, call for quote.

MOUSER STOCK NO.	Hirose Part No.	Fig.	Positions/Contacts	Type	Height (mm)		Width (mm)	Price Each		
					Closed	Open		1	25	100
798-TM25RS-5CNA-88	TM25RS-5CNA-88	A	8	RJ-45	9.15	13.8	25			

Cat 6a

For quantities greater than listed, call for quote.

MOUSER STOCK NO.	Hirose Part No.	Fig.	Positions/Contacts	Type	Price Each		
					1	10	50
798-TM31PTM88P01	TM31P-TM-88P(01)	B	8/8	RJ45			
798-TM31PTM88P02	TM31P-TM-88P(02)	-		Description			
798-HT601TM21P-88P	HT601/TM21P-88P	-		Wire Guide for TM31P Crimp Tool for TM21/TM31			

PCB Modular Jacks

For quantities greater than listed, call for quote.

MOUSER STOCK NO.	Hirose Part No.	Fig.	Positions/Contacts	Type	Dim. (mm)			Price Each		
					W	H	D	1	10	50
PC Board Mount - Gray										
798-TM5RF4450	TM5RF-44(50)	C	4/4	RJ-9	20.0	11.0	10.5			
798-TM5RJ34450	TM5RJ3-44(50)	D	4/4	RJ-9	12.8	14.0	14.0			
PC Board Mount with Metal Hold-Down Tab - Gray										
798-TM5RF14450	TM5RF1-44(50)	E	4/4	RJ-9	20.0	11.0	10.5			
PC Board Mount Dip Type - Top Entry - White										
798-TM3RA4450	TM3RA-44(50)	F	4/4	RJ-9	12.9	18.3	15.0			
798-TM3RA6650	TM3RA-66(50)	F	6/6	RJ-11	14.9	18.3	15.0			
PC Board Mount - Straight Dip Type - Gray										
798-TM2RE060650	TM2RE-0606(50)	G	6/6	RJ-11	17.2	16.0	15.4			
PC Board Mount - Right Angle Dip Type - Gray										
798-TM2REA060450	TM2REA-0604(50)	H	6/4	RJ-11	17.2	15.4	16.0			
PC Board Mount - Gray										
798-TM5RJ16450	TM5RJ1-64(50)	I	6/4	RJ-11	14.8	14.0	14.0			
798-TM5RJ16650	TM5RJ1-66(50)	I	6/6	RJ-11	14.8	14.0	14.0			
798-TM5RJ26450	TM5RJ2-64(50)	J	6/4	RJ-11	14.8	14.0	14.0			
798-TM5RJ26650	TM5RJ2-66(50)	J	6/6	RJ-11	14.8	14.0	14.0			
798-TM5RC6450	TM5RC-64(50)	K	6/4	RJ-11	18.0	21.1	14.3			
798-TM5RC6650	TM5RC-66(50)	K	6/6	RJ-11	18.0	21.1	14.3			
798-TM5RJ18850	TM5RJ1-88(50)	I	8/8	RJ-45	19.2	14.0	16.0			
798-TM5RJ2-8850	TM5RJ2-88(50)	J	8/8	RJ-45	18.6	14.0	14.0			
798-TM5RC-8850	TM5RC-88(50)	L	8/8	RJ-45	18.1	21.2	17.5			
PC Board Mount - Top Entry - White										
798-TM3RA8850	TM3RA-88(50)	M	8/8	RJ-45	20.9	18.3	15.0			
Right Angle - SMT - Female										
798-TM18RT08850	TM18R-TO-88(50)	N	8/8	RJ-45	15.6	12.3	14.5			
PC Board Mount - Right Angle - With Ferrite Core - Gray										
798-TM5RL-8850	TM5RL-88(50)	O	8/8	RJ-45	14.0	11.7	17.0			
EMI Protection - Right Angle - Thru Hole - Female										
798-TM11R-5C-8850	TM11R-5C-88(50)	P	8/8	RJ-45	18.6	15.7	16.0			
Separate Ground Spring - EMI Shield - Right Angle - Dip Type										
798-TM24RSG-5A-88	TM24RSG-5A-88	Q	8/8	RJ-45	16.0	14.5	14.0			
CAT6 - Right Angle - Black - Thru Hole										
798-TM23R5A8850	TM23R-5A-88(50)	R	8/8	RJ-45	15.0	14.5	13.0			
Adaptor - Receptacle-to-Receptacle										
798-TM5RL88JJ50	TM5RL-88-JJ(50)	S	8/8	RJ-45	18.6	17.0	37.5			

Ganged Jacks

For quantities greater than listed, call for quote.

MOUSER STOCK NO.	Hirose Part No.	Fig.	Positions/Contacts	Type	Dim. (mm)			Price Each		
					W	H	D	1	10	50
PC Board Mount - Straight Dip Type - Gray										
798-TM2RE120850	TM2RE-1208(50)	T	2 x 6/4	RJ-11	28.2	16.0	15.4			
PC Board Mount - Right Angle Dip Type - Gray										
798-TM2REA120450	TM2REA-1204(50)	T	2 x 6/2	RJ-11	28.2	16.0	15.4			
798-TM2REA120850	TM2REA-1208(50)	T	2 x 6/4	RJ-11	28.2	16.0	15.4			
798-TM2REA-181850	TM2REA-1818(50)	T	3 x 6/6	RJ-11	39.2	16.0	15.4			
798-TM2REA-240850	TM2REA-2408(50)	T	4 x 6/2	RJ-11	50.2	16.0	15.4			
798-TM2REA241650	TM2REA-2416(50)	T	4 x 6/4	RJ-11	50.2	16.0	15.4			
798-TM2REA242450	TM2REA-2424(50)	T	4 x 6/6	RJ-11	50.2	16.0	15.4			
PC Board Mount - Side Entry - Gray										
798-TM5RJ1484850	TM5RJ1-4848(50)	T	8 x 6/6	RJ-11	93.0	14.0	14.0			
PC Board Mount - Low Profile - With Ferrite Core - Gray										
798-TM5RL323250	TM5RL-3232(50)	U	4 x 8/8	RJ-45	56.0	11.7	17.0			

Plugs

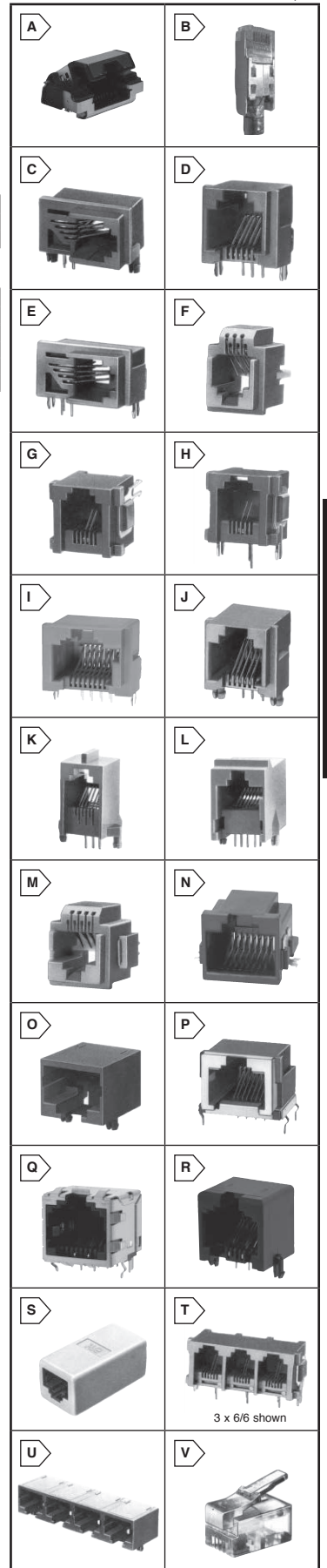
For quantities greater than listed, call for quote.

MOUSER STOCK NO.	Hirose Part No.	Fig.	Positions/Contacts	Type	Dim. (mm)			Price Each		
					W	H	D	1	10	50
IDC Termination with Flat Line Cord										
798-TM3P-44P	TM3P-44P	V	4/4	----	7.7	6.6	13.4			
798-TM3P-64P	TM3P-64P	V	6/4	RJ-11	9.7	6.6	13.4			
798-TM3P66P	TM3P-66P	V	6/6	RJ-11	9.7	6.6	13.4			
798-TM8P-88P	TM8P-88P	V	8/8	RJ-45	11.7	6.6	22.5			

Boots

For quantities greater than listed, call for quote.

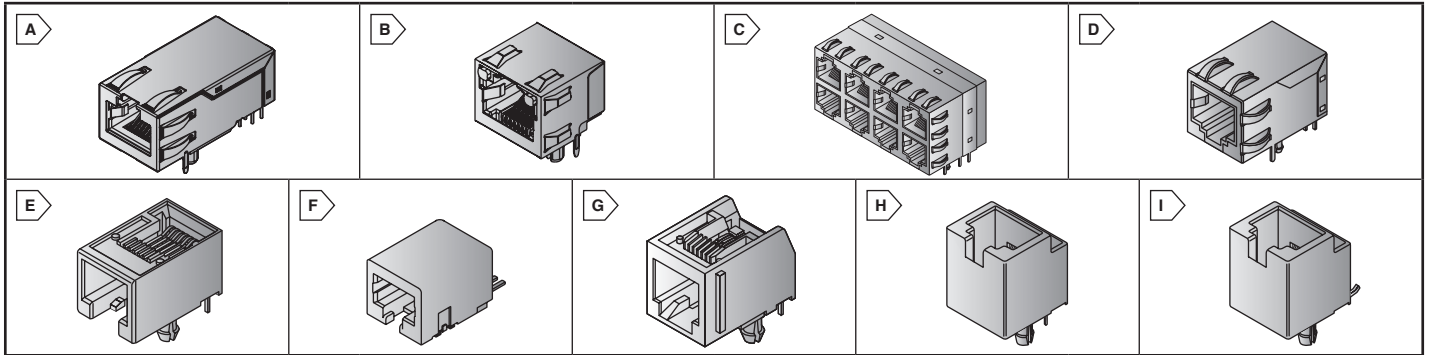
MOUSER STOCK NO.	Hirose Part No.	Fig.	Positions/Contacts	Type	Color	Price Each		
						1	10	50
Boot for CAT6 Plug								
798-TM23P8BT01	TM23P-8-BT(01)	-	8	RJ-45	Black			



Data/Network/Telecom Hirose

MOLEX Modular Jacks

RoHS Compliant This product is RoHS compliant.



MAGNETIC RJ45 JACKS

Features:

- IEEE802.3af and IEEE802.3at compliant
- Gigabit magnetics
- Industry standard footprint
- Multiple LED colors including bi-color
- Capable of 10/100/1000Mbit transmission
- Multiple status indicators
- No external transformers required
- Improved EMI performance



For quantities greater than listed, call for quote.

MOUSER STOCK NO.	Molex Part No.	Fig.	Attribute	LED Color	LED Color	Price Each				
				Right	Left	1	25	50	100	
538-85793-1001	85793-1001	A	Gigabit	Green	Green					
538-85793-1003	85793-1003	A	Gigabit	Green	Green / Orange					
538-85793-1006	85793-1006	A	Gigabit	Yellow	Green					
538-85793-1007	85793-1007	A	Gigabit	Green	Green / Yellow					
538-85793-1012	85793-1012	A	Gigabit	Green	Yellow / Green					
538-85793-1013	85793-1013	A	Gigabit	Green	Yellow / Green					
538-85793-1020	85793-1020	A	Gigabit	Yellow / Green	Green					
538-85789-1001	85789-1001	A	Gigabit PoE+ Enabled	No LED	No LED					
538-85789-1003	85789-1003	A	Gigabit PoE+ Enabled	Green	Green					
538-85789-1006	85789-1006	A	Gigabit PoE+ Enabled	Green	Green / Orange					
				Yellow	Green					

RIGHT-ANGLE MODULAR JACKS

Features and Specifications:

- Voltage: 125V
- Current: 1.5A max.
- Operating Temperature: -40°C to +80°C

RoHS Compliant per Molex documentation



RoHS Compliant

For quantities greater than listed, call for quote.

MOUSER STOCK NO.	Molex Part No.	Fig.	Positions-Contacts	Description	Overall Length: mm (in.)	First-to-Last Circuit: mm (in.)	Price Each			
							1	25	50	100
Low Profile, Inverted with Lightpipes										
538-43860-0007	43860-0007	B	8/8	Unshielded	15.75 (.620)	7.11 (.280)				
538-43860-0010	43860-0010	B	8/8	Shielded	16.38 (.645)	7.11 (.280)				
High Speed, Stacked, Multi-Port with Lightpipes										
538-44170-0001	44170-0001	C	8/8	Shielded	59.18 (2.33)	8.89 (.350)				
Low Profile, Inverted										
538-43860-0002	43860-0002	B	6/6	Unshielded	15.75 (.620)	5.08 (.200)				
538-43860-0001	43860-0001	B	8/8	Unshielded	15.75 (.620)	7.11 (.280)				
538-43860-0014	43860-0014	B	6/6	Shielded with All Panel Grounding Tabs	16.38 (.645)	5.08 (.200)				
538-43860-0013	43860-0013	B	8/8	Shielded with All Panel Grounding Tabs	16.38 (.645)	7.11 (.280)				
538-43860-0005	43860-0005	B	6/6	Shielded with Offset Panel Grounding Tabs	16.38 (.645)	5.08 (.200)				
538-43860-0004	43860-0004	B	8/8	Shielded with Offset Panel Grounding Tabs	16.38 (.645)	7.11 (.280)				
Low Profile										
538-43202-4101	43202-4101	D	4/4	Unshielded	11.18 (.440)	3.81 (.150)				
538-43202-6101	43202-6101	D	6/6	Unshielded	13.21 (.520)	6.35 (.250)				
538-43202-8104	43202-8104	D	8/8	Unshielded	15.24 (.600)	8.89 (.350)				
538-43202-8817	43202-8817	D	8/8	Shielded with Top Panel Grounding Tabs	15.85 (.624)	8.89 (.350)				
538-95501-2441	95501-2441	E	4/4	Unshielded	11.18 (.440)	3.81 (.150)				
538-95501-2641	95501-2641	E	6/4	Unshielded	13.21 (.520)	3.81 (.150)				
538-95501-2661	95501-2661	E	6/6	Unshielded	13.21 (.520)	6.35 (.250)				
538-95501-2881	95501-2881	E	8/8	Unshielded	15.24 (.600)	8.89 (.350)				
Low Profile, SMT										
538-95501-6669	95501-6669	E	6/6	Unshielded	13.21 (.520)	6.35 (.250)				
538-95501-6889	95501-6889	E	8/8	Unshielded	15.24 (.600)	8.89 (.350)				
Low Profile, SMT with Flush Fitting Nails										
538-44144-0005	44144-0005	F	6/6	Unshielded	13.21 (.520)	6.35 (.250)				
538-44144-0003	44144-0003	F	8/8	Unshielded	15.24 (.600)	8.89 (.350)				
Standard Profile										
538-95009-2881	95009-2881	G	8/8	Unshielded, Flush Mount	15.24 (.600)	8.89 (.350)				
538-95009-2447	95009-2447	G	4/4	Unshielded, Flangeless	11.18 (.440)	3.81 (.150)				
538-95009-2647	95009-2647	G	6/4	Unshielded, Flangeless	13.21 (.520)	3.81 (.150)				
538-95009-2887	95009-2887	G	8/8	Unshielded, Flangeless	15.24 (.600)	8.89 (.350)				

VERTICAL MODULAR JACKS

Features:

- Industry compatible
- Foot patterns identical to industry standard jacks
- High reliability, square contact
- Low profile 12.70mm (0.5")

Specifications:

- Voltage: 125V
- Current: 1.5A
- Housing (95003-2xxx): Black Polyester, UL 94V-0
- Housing (95003-6xxx): Black Polyamide, UL 94V-0

- Contact: Phosphor Bronze
- Operating Temperature: -40°C to +80°C

For quantities greater than listed, call for quote.

Standard Profile with Small Panel Cutout										
538-95503-2441	95503-2441	H	4/4	Unshielded	11.18 (.440)	3.81 (.150)				
538-95503-2661	95503-2661	H	6/6	Unshielded	13.21 (.520)	6.35 (.250)				
538-95503-2881	95503-2881	H	8/8	Unshielded	15.24 (.600)	8.89 (.350)				
Standard Profile, SMT with Small Panel Cutout										
538-95503-6671	95503-6671	I	6/6	Unshielded	13.21 (.520)	6.35 (.250)				
538-95503-6891	95503-6891	I	8/8	Unshielded	15.24 (.600)	8.89 (.350)				

TE CONNECTIVITY Modular Jacks



This product is RoHS compliant.



SINGLE PORT R/A MODULAR JACKS

Specifications:

- Color: Black
- Current Rating: 1.5 amp max.
- Voltage Rating: 150 volts ac max.
- Durability: 750 mating cycles
- Housing: Through-Hole: Polyester, UL 94V-0 rated
- Housing STM: Polyphenylene Sulfide, UL 94V-0 rated

Features:

- Meets or exceeds FCC Part 68 rules & regulations
- Meets 1000 volt dielectric requirement
- Designed for ease of soldering & board cleaning
- Designed for direct mounting on pc boards
- SMT jacks compatible with vapor phase & IR reflow soldering

Through-Hole, Standard Profile, Solder PCB Termination

For quantities greater than listed, call for quote.

MOUSER STOCK NO.	TE Part No.	Fig.	Positions-Contacts	LED	Description	Price Each		
						1	25	50
With Panel Stops								
571-5555140-1	5555140-1	A	6/6	-	Shielded, Cat 3, Panel and PCB Ground Options			
571-5555140-2	5555140-2	A	6/4	-	Shielded, Cat 3, Panel and PCB Ground Options			
571-5520250-1	5520250-1	B	6/2	-	Cat 3, without Ground Options			
571-5557786-1	5557786-1	A	8/8	-	Shielded, Cat 3, without PCB Ground Options			
571-5558343-1	5558343-1	B	8/8	-	Cat 5, without Ground Options			
571-5520251-4	5520251-4	B	8/8	-	Cat 3, without Ground Options			
Without Panel Stops								
571-1116503-2	1116503-2	A	8/8	-	Shielded, Cat 5, PCB Ground Options			
571-5558070-1	5558070-1	A	10/10	-	Shielded, Cat 3, Panel and PCB Ground Options			
571-5569118-1	5569118-1	B	8/8	-	Cat 3, without Ground Options			
571-5569564-1	5569564-1	A	8/8	Grn/Yel	Shielded, Cat 3, Panel and PCB Ground Options			
571-1-406541-1	1-406541-1	A	8/8	-	Shielded, Cat 5, Panel and PCB Ground Options			
571-2-406549-4	2-406549-4	A	8/8	Yel/Grn	Shielded, Cat 5, Panel and PCB Ground Options			
571-5406299-1	5406299-1	A	8/8	-	Shielded, Cat 5, Panel and PCB Ground Options			
571-2-406549-1	2-406549-1	A	8/8	Grn/Yel	Shielded, Cat 5, Panel and PCB Ground Options			
571-5558341-1	5558341-1	B	8/8	-	Cat 5, without Ground Options			
571-5558342-1	5558342-1	A	8/8	-	Shielded, Cat 5, PCB Ground Options			
571-5558344-1	5558344-1	A	8/8	-	Shielded, Cat 5, Panel and PCB Ground Options			

Through-Hole, Standard Profile with Center Latch

For quantities greater than listed, call for quote.

MOUSER STOCK NO.	TE Part No.	Fig.	Positions-Contacts	Description	Price Each			
					1	25	50	
Flanged								
571-5520241-2	5520241-2	C	4/4	Cat 3, without Ground Options				
571-5520242-3	5520242-3	C	6/6	Cat 3, without Ground Options				
With Panel Stops								
571-5520249-2	5520249-2	D	4/4	Cat 3, without Ground Options				
571-5520250-2	5520250-2	D	6/4	Cat 3, without Ground Options				
571-5520250-3	5520250-3	D	6/6	Cat 3, without Ground Options				
571-5520251-4	5520251-4	D	8/8	Cat 3, without Ground Options				
571-5520252-4	5520252-4	D	8/8	Cat 3, without Ground Options, Keyed				
Without Panel Stops								
571-5555980-1	5555980-1	D	4/4	Cat 3, without Ground Options				
571-5555979-1	5555979-1	D	6/4	Cat 3, without Ground Options				
571-5520470-3	5520470-3	D	6/6	Cat 3, without Ground Options				
571-5520426-4	5520426-4	D	8/8	Cat 3, without Ground Options				
571-5554517-1	5554517-1	D	8/8	Cat 3, without Ground Options, Keyed				

Through-Hole, Low Profile, Solder PCB Termination

For quantities greater than listed, call for quote.

MOUSER STOCK NO.	TE Part No.	Fig.	Positions-Contacts	Description	Price Each			
					1	25	50	
With Panel Stops								
571-5555163-1	5555163-1	E	6/6	Cat 3, without Ground Options				
571-5555163-2	5555163-2	E	6/4	Cat 3, without Ground Options				
571-5555162-1	5555162-1	E	8/8	Cat 3, without Ground Options				
571-5555166-1	5555166-1	E	8/8	Cat 3, without Ground Options, Keyed				
Without Panel Stops								
571-5555165-1	5555165-1	E	6/6	Cat 3, without Ground Options				
571-5555165-2	5555165-2	E	6/4	Cat 3, without Ground Options				
571-5555164-1	5555164-1	E	8/8	Cat 3, without Ground Options				
571-5555167-1	5555167-1	E	8/8	Cat 3, without Ground Options, Keyed				
571-5569026-1	5569026-1	E	6/6	Cat 3, without Ground Options				
Shielded								
571-5555154-1	5555154-1	E	6/6	Shielded, Cat 3, with PCB Ground Options				
571-5555153-1	5555153-1	E	8/8	Shielded, Cat 3, with PCB Ground Options				
571-5555141-1	5555141-1	E	8/8	Shielded, Cat 3, with Panel and PCB Ground Options				
571-5556591-1	5556591-1	E	8/8	Shielded, Cat 3, with PCB Ground Options, Keyed				
571-5555153-6	5555153-6	E	8/8	Shielded, Cat 3, with PCB Ground Options				
571-5555154-2	5555154-2	E	6/4	Shielded, Cat 3, with PCB Ground Options				

Surface Mount, Low Profile, Solder PCB Termination

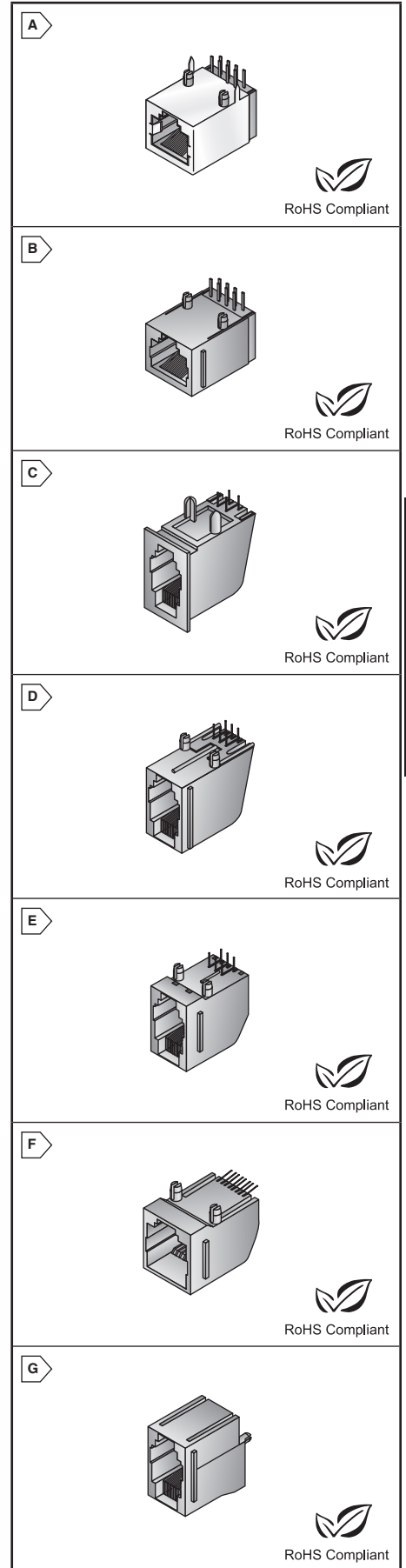
For quantities greater than listed, call for quote.

MOUSER STOCK NO.	TE Part No.	Fig.	Positions-Contacts	Description	Price Each			
					1	25	50	
With Panel Stops								
571-5555077-1	5555077-1	F	6/6	Cat 3, without Ground Options				
571-5555248-1	5555248-1	F	8/8	Cat 3, without Ground Options				
571-5558178-1	5558178-1	F	8/8	Shielded, Cat 3, PCB Ground Options				
Without Panel Stops								
571-5557314-1	5557314-1	F	6/6	Cat 3, without Ground Options				
571-5555764-1	5555764-1	F	8/8	Cat 3, without Ground Options				
571-5555078-1	5555078-1	F	8/8	Cat 3, without Ground Options, Keyed				

Single Port Top Entry Modular Jacks Through-Hole, Standard Profile

For quantities greater than listed, call for quote.

PCB Termination - Solder With Panel Stops								
MOUSER STOCK NO.	TE Part No.	Fig.	Positions-Contacts	Description	Price Each			
					1	25	50	
571-5520257-2	5520257-2	G	4/4	Cat 3, without Ground Options				
571-5520258-2	5520258-2	G	6/4	Cat 3, without Ground Options				
571-5520258-3	5520258-3	G	6/6	Cat 3, without Ground Options				
571-5520259-4	5520259-4	G	8/8	Cat 3, without Ground Options				
571-5520260-4	5520260-4	G	8/8	Cat 3, without Ground Options, Keyed				
571-5557969-1	5557969-1	G	8/8	Cat 3, Panel and PCB Ground Options				
571-5557730-1	5557730-1	G	8/8	Shielded, Cat 3, Panel and PCB Ground Options, Keyed				
571-5557969-2	5557969-2	G	8/8	Shielded, Cat 3, Panel and PCB Ground Options				
571-5520258-3	5520258-3	G	6/6	Cat 3, without Ground Options				
Without Panel Stops								
571-5558872-1	5558872-1	G	4/4	Cat 3, without Ground Options				
571-5520425-2	5520425-2	G	6/4	Cat 3, without Ground Options				
571-5520425-3	5520425-3	G	6/6	Cat 3, without Ground Options				
571-5556416-1	5556416-1	G	8/8	Cat 3, without Ground Options				
571-5555799-1	5555799-1	G	8/8	Cat 3, without Ground Options, Keyed				
571-5520425-3	5520425-3	G	6/6	Cat 3, without Ground Options, Solder				
PCB Termination - Press-Fit								
571-6116418-1	6116418-1	G	8/8	Shielded, Cat 5, Panel and PCB Ground Options				
571-6116202-1	6116202-1	G	8/8	Shielded, Cat 5, PCB Ground Options, Press-Fit				



Data/Network/Telecom TE Connectivity

MODULAR TELEPHONE KEYSTONE KITS

These jacks are specially designed to snap into wallplates, panels and undercarpet fittings.

Features:

- Stuffer Cap: Clear polycarbonate
- AMP-BARREL Terminal: Tin plated phosphor bronze
- Label: Adhesive backed polyester
- Contacts: Nickel plated high strength copper alloy having selective gold plating in contact area and selective tin plating in AMP-BARREL terminal area.
- Housing: Black thermoplastic, UL 94V-0
- All Keystone jacks are wired one-to-one

RoHS Compliant

For quantities greater than listed, call for quote.

MOUSER STOCK NO.	TE Part No.	Fig.	Number of Pairs (AWG)	Wire Gauge AWG	Price Each		
					1	25	50
BM Approved Style Kits (Black)							
571-5539831	553983-1	A	3	22			
571-5545461	554546-1	A	4	22			
Commercial Style Kit (Black)							
571-5541711	554171-1	A	3	22-26			
571-5545781	554578-1	A	4	22-26			

STANDARD MODULAR PLUGS

Specifications:

- Electrical: Applications- 150VAC max. at 1.5A @ 25°C, derated to 2A @ 70°C
- Durability: 750 mating cycles
- Temperature Rating: -40°C to +60°C
- Housing: Polycarbonate, UL 94V-0
- Terminal: .014 (.36) thick, phosphor bronze; underplated with 100µm Nickel and plated with 50µm Gold in contact region and gold flash on remainder of terminal.
- Terminal No. 1 is the terminal to the extreme left as you face the cable opening, latch tab down.

Features:

- One-piece construction with preloaded contacts
- FCC and EIA/TIA industry standard size and performance

RoHS Compliant

For quantities greater than listed, call for quote.

MOUSER STOCK NO.	TE Part No.	Fig.	No. of Positions	Contacts Loaded	Description	Keyed	Price Each		
							1	25	50
Unshielded									
571-6413343	5-641334-3	B	4	4	Flat Oval Stranded Line, handset plug	No			
571-5563843	5-556384-3	B	6	4	Flat Oval Solid Line	No			
571-56413353	5-641335-3	B	6	4	Flat Oval Stranded Line	No			
571-5550423	5-555042-3	B	6	6	Flat Oval Solid Line	No			
571-6413373	5-641337-3	B	6	6	Flat Oval Stranded Line	No			
571-55547103	5-554710-3	B	6	6	Round Stranded Line	No			
* 571-55554263	5-555426-3	B	6	6	Round Oval Solid Line	No			
* 571-55551763	5-555176-3	B	6	6	Flat Oval Stranded Line	No			
* 571-55551773	5-555177-3	B	6	6	Round Stranded Line	No			
571-5547203	5-554720-3	B	8	8	Flat Oval Solid Line	No			
571-5547393	5-554739-3	B	8	8	Flat Oval Stranded Line	No			
571-55573153	5-557315-3	B	8	8	Round Solid Line	No			
571-5541693	5-554169-3	B	8	8	Round Stranded Line	No			
571-5541703	5-554170-3	B	8	8	Round Stranded Line	Yes			
571-5557963-3	5-557963-3	B	10	10	Round Stranded Line	No			
Shielded									
* 571-5551753	5-555175-3	C	6	6	Round Stranded Line	No			
571-55695303	5-569530-3	C	8	8	Round Solid Line	No			
571-55695503	5-569550-3	C	8	8	Round Solid Line	No			

"CATEGORY 5e" MODULAR PLUGS - HIGH PERFORMANCE

Features:

- Exceeds EIA/TIA 568B requirements for Category 5e, 4-Pair (RJ45) UTP applications
- Utilizes a load bar for easier cable preparation and termination
- Load bar aids in maintaining 1/2" twist requirements

RoHS Compliant

For quantities greater than listed, call for quote.

MOUSER STOCK NO.	TE Part No.	Fig.	No. of Positions	Contacts Loaded	Description	Wire Gauge AWG	Keyed	Price Each		
								1	25	50
571-5558530-3	5-5558530-3	D	8	8	Unshielded, Round Stranded Line	24	No			
571-55692783	5-569278-3	D	8	8	Unshielded, Round Solid Line	24-28	No			
571-55695523	5-569552-3	D	8	8	Shielded, Round Stranded Line	24-26	No			
571-55695502	5-569550-2	D	8	8	Shielded, Round Solid Line	24-26	No			

MODULAR COUPLERS

- Compact couplers for two modular plugs; couplers snap into 0.585 x 0.765 rectangular wallplate cutouts. Wired one-to-one.



RoHS Compliant

For quantities greater than listed, call for quote.

MOUSER STOCK NO.	TE Part No.	Fig.	No. of Positions	Type	Price Each		
					1	25	50
571-5550491	555049-1	E	6	Right Angle			
571-5550511	555051-1	E	8	Right Angle			
571-5550501	555050-1	F	6	In-Line			
571-5550521	555052-1	F	8	In-Line			
571-5553761	555376-1	F	8 Keyed	In-Line			

"CATEGORY 5e" HIGH PERFORMANCE CRIMP TOOL

- For use with modular plugs
- Cuts, strips, and terminates cable

MOUSER STOCK NO.	TE Part No.	Description	Price Each
571-32316520	3-231652-0	8 position modular crimp tool with die	

PROFESSIONAL HAND TOOLS

- Terminating tool with die

MOUSER STOCK NO.	TE Part No.	Description	Price Each
571-22316521	2-231652-1	8 position line	
571-22316523	2-231652-3	4 position handset	
571-2-231652-6	2-231652-6	6 position offset-latch	
571-22316527	2-231652-7	6 position long body	
571-22316528	2-231652-8	4, 6 position line	

CABLE BOOTS

- For 8 position modular plugs



RoHS Compliant

For quantities greater than listed, call for quote.

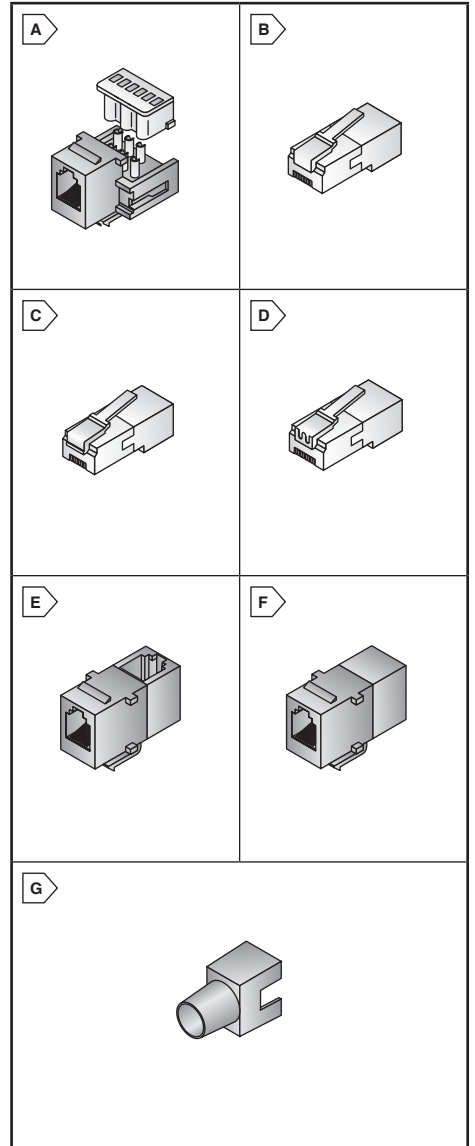
MOUSER STOCK NO.	TE Part No.	Fig.	Color	Price Each		
				1	25	50
571-5582111	558211-1	G	Black			
571-5582112	558211-2	G	Almond			
571-5582115	558211-5	G	Blue			

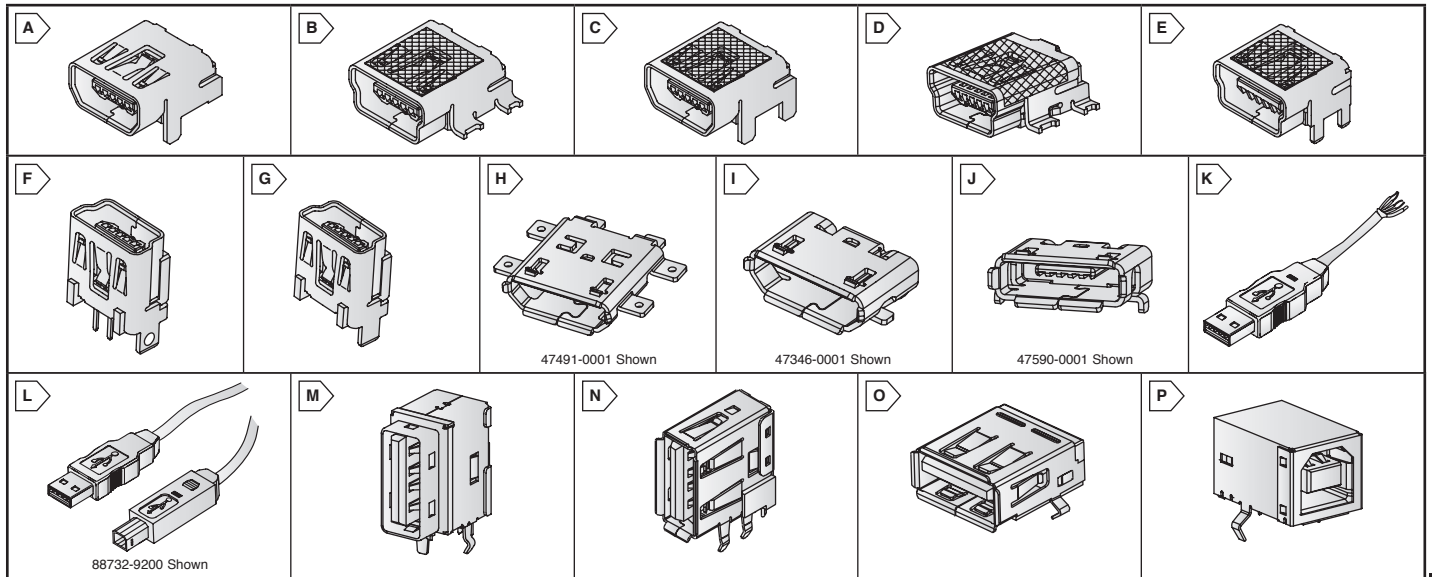
DIE SET ONLY FOR PROFESSIONAL TOOLS

MOUSER STOCK NO.	TE Part No.	Description	Color	Price Each
571-8534001	853400-1	8 position line	Black	
571-8534003	853400-3	4 position handset	Green	
571-853400-6	853400-6	6 position offset-latch	Orange	
571-8534007	853400-7	6 position long body	Violet	
571-853400-8	853400-8	4, 6 position line	Blue	

HAND TOOL KITS

MOUSER STOCK NO.	TE Part No.	Description	Price Each
571-12316661	1-231666-1	Carrying case with frame, 4 position handset, 4, 6 and 8 position die set, set of replacement strip blades and small screwdriver.	
571-2316625	231662-5	1 set of strip blades	





USB ON-THE-GO (OTG) CONNECTORS AND CABLE ASSEMBLIES

Molex's new USB On-The-Go (OTG) connectors and cable assemblies help enable mobile devices such as digital cameras, PDAs, audio players, printers and cellular phones to exchange data directly without the need for a host PC. All Molex OTG connectors are compatible with the On-The-Go supplement (Rev. 1.0) to the USB 2.0 specification. Along with enabling mobile products to communicate with one another, OTG also enables mobile products to become "dual-role" devices, serving as either host or peripheral.

Features:

- Compact size for space savings
- Fully shielded for EMI/RFI protection
- Operates at speeds up to 480Mbps
- 5000 cycles for rugged durability

Specifications:

- Current: 1.0A
- Voltage Rating: 30V/Micro: 100VAC (RMS)
- Operating Temperature: 0°C to +50°C



RoHS Compliant

Mini-AB Receptacles

For quantities greater than listed, call for quote.

MOUSER STOCK NO.	Molex Part No.	Fig.	No. of Circuits	Description	Shell Tabs	Termination Type	Price Each			
							1	10	25	50
538-56579-0519	56579-0519	A	5	Right-Angle	Through-Hole	Through-Hole				
538-56579-0576	56579-0576	B	5	Right-Angle	SMT	SMT				

Mini-B Receptacles

For quantities greater than listed, call for quote.

MOUSER STOCK NO.	Molex Part No.	Fig.	No. of Circuits	Description	Shell Tabs	Termination Type	Price Each			
							1	10	25	50
538-54819-0519	54819-0519	A	5	Right-Angle	Through-Hole	Through-Hole				
538-54819-0589	54819-0589	C	5	Right-Angle	Through-Hole	SMT				
538-54819-0572	54819-0572	B	5	Right-Angle	SMT	SMT				
538-67503-1020	67503-1020	D	5	Right-Angle (Back Cover)	SMT	SMT				
538-51387-0578	51387-0578	E	5	Right-Angle	Through-Hole	SMT				
538-500075-0517	500075-0517	F	5	Vertical	Through-Hole	Through-Hole				
538-500075-1517	500075-1517	G	5	Vertical	Through-Hole	Through-Hole				

Micro-USB Receptacles



For quantities greater than listed, call for quote.

MOUSER STOCK NO.	Molex Part No.	Fig.	No. of Circuits	Description	Shell Tabs	Termination Type	Max. Height (mm)	Max. Width (mm)	Max. Depth (mm)	Price Each			
										1	10	25	50
Type B													
538-47491-0001	47491-0001	H	5	Right-Angle	Middle Mount	SMT	2.95	11.00	9.15				
538-47642-0001	47642-0001	H	5	Right-Angle	Middle Mount	SMT	2.95	10.20	7.25				
538-47346-0001	47346-0001	I	5	Right-Angle	Bottom Mount	SMT	2.95	8.00	5.45				
538-105017-0001	105017-0001	I	5	Right-Angle	Bottom Mount	SMT	3.30	8.00	5.45				
538-105133-0001	105133-0001	G	5	Vertical	Through-Hole	SMT	6.70	8.00	2.90				
Type AB													
538-47589-0001	47589-0001	J	5	Right-Angle	Bottom Mount	SMT	3.00	8.20	5.60				
538-47590-0001	47590-0001	J	5	Right-Angle	Top Mount	SMT	3.35	8.00	5.80				
538-47654-0001	47654-0001	J	5	Right-Angle	Middle Mount	SMT	2.95	10.45	6.80				

Cable Assemblies

For quantities greater than listed, call for quote.

MOUSER STOCK NO.	Molex Part No.	Fig.	No. of Circuits	Type	Description	Price Each			
						1	10	25	50
538-88738-8200	88738-8200	K	4	USB Type A-to-Pigtail	2.08m Length, Sub-Channel, White				
538-88728-3400	88728-3400	K	4	USB Type A-to-Pigtail	2.08m Length, Full-Rated, White				
538-68784-0001	68784-0001	L	-	USB Type A-to-Micro B	1 Meter Length, 28 AWG, Black				
538-68784-0002	68784-0002	L	-	USB Type A-to-Micro B	1.5 Meter Length, 28 AWG, Black				
538-68784-0003	68784-0003	L	-	USB Type A-to-Micro B	2 Meter Length, 28 AWG, Black				
538-88732-9200	88732-9200	L	4	USB Type A-to-B	2.09m Length, Full-Rated, White				

USB TYPE "A" AND "B" RECEPTACLES

The basic characteristics of all "A" and "B" receptacles are: having a metal shell to provide for excellent EMI/RFI protection, PCB hold-downs meet specifications of an electrical rating of 1.0 Amp per contact and are designed to endure at least 1,500 mating cycles.

For quantities greater than listed, call for quote.

MOUSER STOCK NO.	Molex Part No.	Fig.	No. of Circuits	Type	Description	Price Each			
						1	10	25	50
538-89485-8000	89485-8000	M	4	Type A	Single Upright, Right-Angle, Black, Gold Flash Plating				
538-89485-8001	89485-8001	M	4	Type A	Single Upright, Right Angle, Black 30µ" Gold Plating				
538-67329-8000	67329-8000	N	4	Type A	Single Upright, Right Angle, Gold Flash Plating				
538-67643-2911	67643-2911	O	4	Type A	Right Angle, High Temperature Black nylon, 30µ" Gold Plating				
538-67643-3911	67643-3911	O	4	Type A	Right Angle, High Temperature White nylon, 30µ" Gold Plating				
538-67068-8000	67068-8000	P	4	Type B	Right-Angle, w/ Kinked Solder Tabs, Black, Gold Flash Plating				
538-67068-8001	67068-8001	P	4	Type B	Right-Angle, w/ Kinked Solder Tabs, Black, 30µ" Gold Plating				
538-67068-9000	67068-9000	P	4	Type B	Right-Angle, w/ Kinked Solder Tabs, White, Gold Flash Plating				
538-67068-9001	67068-9001	P	4	Type B	Right-Angle, w/ Kinked Solder Tabs, White, 30µ" Gold Plating				

3M™ I/O Connectors

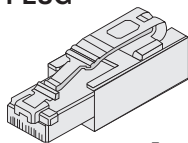


This page of product is compliant.

3R108 SERIES INDUSTRIAL RJ45 MODULAR PLUG

Specifications:

- Current Rating: 0.5 Amps
- Voltage Rating: 24V(AC/DC)
- Temperature Rating: -40°C to 70°C
- Solid Wire: AWG 24
- Stranded Wire: AWG 24-26 (7 wires)
- UL94V-0



For quantities greater than listed, call for quote.

MOUSER STOCK NO.	3M Part No.	Description	Price Each		
			1	10	50
517-3R108-0000-000CE	3R108-0000-000CE	Industrial RJ45 Modular Plug			

2.0MM I/O INTERCONNECT SYSTEM FOR IEEE1394

Features:

- Up to 6 Amps per connector: 6 contacts can carry signal or power (up to 1 ampere per pin)
- 360° Shielding for excellent EMI protection
- Polarized to provide proper insertion
- RoHS Compliant per 3M documentation

Specifications:

- Current Rating: 1A per pin
- Voltage Rating: 150V (AC)/200V (DC)
- Insulation Resistance: > 5 x 108Ω at @ 500V (DC)
- Withstanding Voltage: 500V RMS for 1 minute
- Temperature Rating: -55°C to +85°C
- Vibration resistant

For quantities greater than listed, call for quote.

MOUSER STOCK NO.	3M Part No.	Fig.	Gender	Description	Price Each			
					1	25	50	100
Boardmount								
517-3E106-2220KV	3E106-2220KV	A	Plug	Right Angle, Upright, Through Hole, Straight Tabs				
517-3E106-2230KV	3E106-2230KV	A	Plug	Right Angle, Upright, Through Hole, Kinked Tabs				
517-3E106-0220KV	3E106-0220KV	B	Plug	Right Angle, Horizontal, Through Hole, Straight Tabs				
Wiremount								
517-3E206-0100KV	3E206-0100KV	C	Receptacle	Accommodates up to 18 AWG Wire				

SHIELDED COMPACT RIBBON (SCR) I/O CONNECTORS

Features:

- Up to 10 Amps per connector: 10 contacts can carry signal or power (up to 1 ampere per pin)
- 360° Shielding for excellent EMI protection
- Polarized to provide proper insertion
- RoHS Compliant per 3M documentation

Specifications:

- Current Rating: 1A per pin
- Voltage Rating: 150V (AC)/200V (DC)
- Insulation Resistance: > 5 x 108Ω at @ 500V (DC)
- Withstanding Voltage: 500V RMS for 1 minute
- Temperature Rating: -55°C to +85°C

For quantities greater than listed, call for quote.

MOUSER STOCK NO.	3M Part No.	Fig.	Gender	Description	Price Each			
					1	25	50	100
Wiremount								
517-36110-3000-FD	36110-3000FD	D	Plug	Accommodates up to 22 AWG Wire				
517-36210-0100-FD	36210-0100FD	E	Receptacle	Plating-0.2µm min gold, 2µm Sn solder tail				
517-36210-0100-PL	36210-0100PL	E	Receptacle	Plating-0.2µm min gold, Gold Flash tail				
Shell Kits								
517-36310-3200-008	36310-3200-008	F	---	Shell Kit for Wiremount Plug				
517-36310-F200-008	36310-F200-008	G	---	Shell Kit for Wiremount Receptacle				

MINI CAMERA LINK™ (SDR) CONNECTORS 0.80mm Receptacles

Features:

- Wiper on wiper contact for reliable repetitive mating
- Ground lock for reliable PCB retention
- Full metal face for better EMI shielding effectiveness
- On-board jacksockets maintains a secure connection
- RoHS Compliant per 3M documentation

Specifications:

- 30µ" Gold Plating
- Color: Black
- Contact Material: Phosphor Bronze
- Current Rating: 0.5A
- Temperature Rating: -40°C to +70°C

For quantities greater than listed, call for quote.

MOUSER STOCK NO.	3M Part No.	Fig.	No. of Contacts	Style	Type	Price Each			
						1	25	50	100
517-12214-115000FR	12214-1150-00FR	H	14	Vertical	Thru-Hole				
517-12226-115000FR	12226-1150-00FR	H	26	Vertical	Thru-Hole				
517-12226-515000FR	12226-5150-00FR	I	26	Right Angle	Thru-Hole				
517-12226-825000FR	12226-8250-00FR	J	26	Right Angle	Surface Mount				

MINI SERIAL ATTACHED SCSI (MINISAS) CABLE ASSEMBLIES

Features:

- Exceeds the 6Gbps performance standard designated by SAS 2.0 requirements
- Bends in multiple locations with a bend radius as low as 1 mm and still meet SAS 2.0 performance criteria

- Available with or without sidebands
- Available with silver or tin plated signal conductors and solid polyolefin dielectric
- RoHS compliant and halogen-free

For quantities greater than listed, call for quote.

MOUSER STOCK NO.	3M Part No.	Fig.	No. of Pos.	Description	Length (m)	Price Each			
						1	25	50	100
517-8F36-AAC305-0.50	8F36-AAC305-0.50	K	36	4-Lane with Sidebands, SN-Plated Signal	0.5				
517-8F36-AAA105-0.50	8F36-AAA105-0.50	K	36	4-Lane (No Sidebands), SN-Plated Signal	0.5				

SATA CABLE ASSEMBLIES

© Copyright 2014 Mouser Electronics



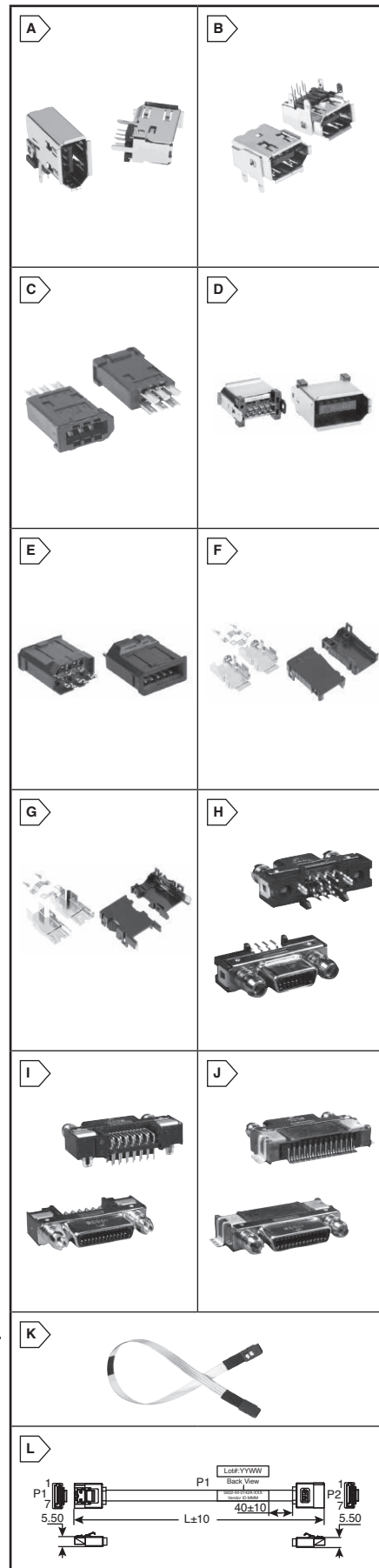
For quantities greater than listed, call for quote.

MOUSER STOCK NO.	3M Part No.	Fig.	Description	Length (mm)	Price Each			
					1	25	50	100
517-5602-44-0142A500	5602-44-0142A-500	L	7P Female 180° Black PBT 30GF, 15°AU w/ Latch	500				
517-5602-44-0142A600	5602-44-0142A-600	L	7P Female 180° Black PBT 30GF, 15°AU w/ Latch	600				
517-5602-44-0142A700	5602-44-0142A-700	L	7P Female 180° Black PBT 30GF, 15°AU w/ Latch	700				
517-5602-44-0142A800	5602-44-0142A-800	L	7P Female 180° Black PBT 30GF, 15°AU w/ Latch	800				
517-5602-44-0142A900	5602-44-0142A-900	L	7P Female 180° Black PBT 30GF, 15°AU w/ Latch	900				
517-5602-44-0142A000	5602-44-0142A-000	L	7P Female 180° Black PBT 30GF, 15°AU w/ Latch	1000				

© Copyright 2014 Mouser Electronics

For current pricing, visit mouser.com

© Copyright 2014 Mouser Electronics



HIROSE Micro-USB Connectors and Assemblies



HIROSE ELECTRIC CO., LTD.

MICRO-USB 3.0 CONNECTORS

Features:

- Data transmission feeds to 5Gbps
- Stainless Steel shield
- 1A current rating, current capacity increase to 900mA
- 10,000 mating cycles
- 30Vac voltage rating
- Backward compatible with micro USB 2.0

Applications:

- Small handheld devices:
 - Medical equipment
 - Measuring equipment
 - MP3 player
 - Notebooks



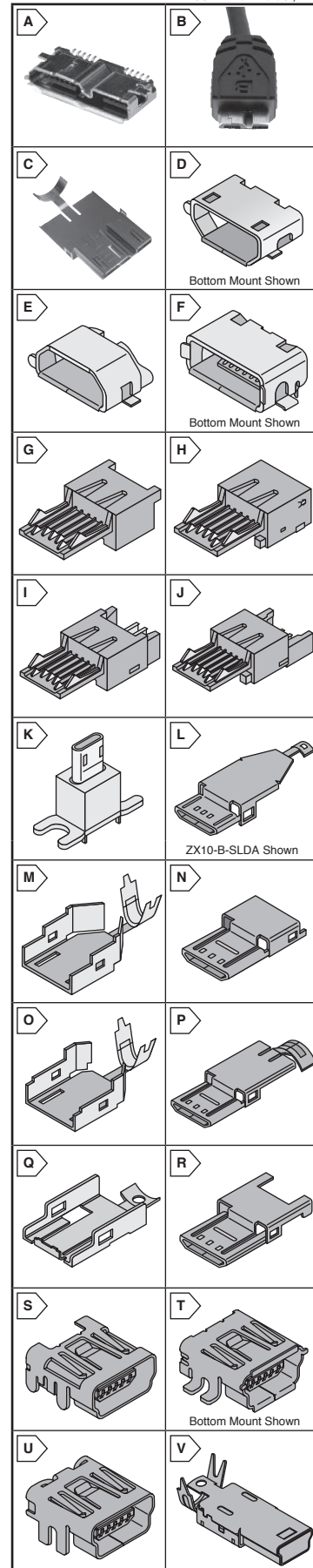
This product is RoHS compliant.



RoHS Compliant

For quantities greater than listed, call for quote.

MOUSER STOCK NO.	Hirose Part No.	Fig.	Description	Price Each		
				1	25	100
798-ZX360D-B-10P	ZX360D-B-10P	A	Micro-B Receptacle, Right Angle			
798-ZX360-B-10S-UNIT	ZX360-B-10S-UNIT	B	Micro-B Plug Assembly			
798-ZX360-B-SLDA	ZX360-B-SLDA	C	Micro-B Plug Shield			



MICRO-USB CONNECTORS

Features:

- USB 2.0 Hi-speed (480Mbps)
- Space saving compact size
- Various Plug and Receptacle styles

Specifications:

- Mating Cycles: 10,000
- Contact Plating: Selective Gold
- Current: 1.0A

Applications:

- Mobile Phones
- Digital Cameras
- Portable Music Players



RoHS Compliant

For quantities greater than listed, call for quote.

MOUSER STOCK NO.	Hirose Part No.	Fig.	Description	Mounting Style	Termination Style	Price Each		
						1	25	100
Micro-B Type								
798-ZX62-B-5PA11	ZX62-B-5PA(11)	D	Right Angle	Bottom Mount	SMT			
798-ZX62D-B-5P8	ZX62D-B-5P8	D	Right Angle	Bottom Mount	SMT/Thru-Hole hold down			
798-ZX62M-B-5P01	ZX62M-B-5P(01)	D	Right Angle	Mid-Mount	SMT			
798-ZX80-B-5P	ZX80-B-5P	D	Recept Assembly w/ Lock	Cradle Mount	Vertical Thru-Hole			
798-ZX62R-B-5P	ZX62R-B-5P	E	Right Angle	Top Mount	SMT			
Micro-AB Type								
798-ZX62D-AB-5P8	ZX62D-AB-5P8	F	Right Angle	Bottom Mount	SMT/Thru-Hole hold down			
798-ZX62-AB-5PA11	ZX62-AB-5PA(11)	F	Right Angle	Bottom Mount	SMT			
798-ZX62RD-AB-5P8	ZX62RD-AB-5P8	F	Right Angle	Top Mount	SMT/Thru-Hole hold down			

Plug Assemblies

For quantities greater than listed, call for quote.

MOUSER STOCK NO.	Hirose Part No.	Fig.	Description	Mounting Style	Termination Style	Price Each		
						1	25	100
Micro-B Type								
798-ZX10-B-5S-UNIT12	ZX10-B-5S-UNIT(12)	G	Plug Assembly	Right Angle Thru-Hole	PCB Wire Solder			
798-ZX20-B-5S-UNIT	ZX20-B-5S-UNIT	H	Plug Assembly	Vertical Thru-Hole	PCB Wire Solder			
798-ZX40-B-5S-UNIT12	ZX40-B-5S-UNIT(12)	I	Plug Assembly	-	Direct Wire Solder			
798-ZX64-B-5S-UNIT14	ZX64-B-5S-UNIT(14)	J	Plug Assembly	Right angle SMT	PCB Wire Solder			
798-ZX80-B-5S	ZX80-B-5S	K	Plug Assembly w/ Lock	Cradle Mount	Vertical Thru-Hole			
798-ZX80-B-5SA	ZX80-B-5SA	K	Plug Assembly w/o Lock	Cradle Mount	Vertical Thru-Hole			
Micro-A Type								
798-ZX62D-AB-5P8	ZX62D-AB-5P8	I	Right Angle	Bottom Mount	SMT/Thru-Hole hold down			

Plug Shielding - (Use With Plug Assemblies)

For quantities greater than listed, call for quote.

MOUSER STOCK NO.	Hirose Part No.	Fig.	Description	Style	Use with Plug	Price Each		
						1	25	100
798-ZX10-B-SLDA	ZX10-B-SLDA	L	Type B Plug Shield	Top	ZX10			
798-ZX10-SLDB3.301	ZX10-SLDB(3.3)(01)	M	Type B Plug Shield	Bottom	ZX10			
798-ZX20-B-SLDC	ZX20-B-SLDC	N	Type B Plug Shield	One piece cover	ZX20			
798-ZX40-A-SLDA	ZX40-A-SLDA	L	Type A Plug Shield	Top	ZX40			
798-ZX40-B-SLDA	ZX40-B-SLDA	L	Type B Plug Shield	Top	ZX40			
798-ZX40-SLDB	ZX40-SLDB	O	Type A / B Plug Shield	Bottom, 3.8 diameter	ZX40			
798-ZX40-SLDB3.3	ZX40-SLDB(3.3)	O	Type A / B Plug Shield	Bottom, 3.3 diameter	ZX40			
798-ZX64-B-SLDA	ZX64-B-SLDA	P	Type B Plug Shield	Top	ZX64			
798-ZX64-SLDB	ZX64-SLDB	Q	Type B Plug Shield	Bottom	ZX64			
798-ZX64-B-SLDC	ZX64-B-SLDC	R	Type B Plug Shield	One piece w/o cable clamp	ZX64			

USB Cable Assemblies

For quantities greater than listed, call for quote.

MOUSER STOCK NO.	Hirose Part No.	Fig.	Description	Cable Length	Price Each		
					1	25	100
798-ZX40A-S75STDAJ	ZX40-A-5S-75-STDAJ	-	Micro A to Standard A assembly	75mm / 2.95"			
798-ZX40B5S500STDA	ZX40-B-5S-500-STDA	-	Micro B to Standard A assembly	0.5M / 1.64'			
798-ZX40B5S1000STDA	ZX40-B-5S-1000-STDA	-	Micro B to Standard A assembly	1.0M / 3.28'			
798-ZX40B5S1500STDA	ZX40-B-5S-1500-STDA	-	Micro B to Standard A assembly	1.5M / 4.92'			

MINI-USB CONNECTORS - MINI-B TYPE

Features:

- USB 2.0 Hi-speed (480Mbps)
- The plug incorporates a built-in snap-lock feature, providing tactile verification of the full and secure mating of the receptacle

Specifications:

- Mating Cycles: 5,000
- Contact Plating: Gold
- Current: 1.0A

Applications:

- PC Peripherals
- Information terminals
- PDA
- Digital Cameras
- Information terminals
- Portable Music Players



RoHS Compliant

For quantities greater than listed, call for quote.

MOUSER STOCK NO.	Hirose Part No.	Fig.	Description	Mounting Style	Termination Style	Price Each		
						1	25	100
798-UX60-MB-5S8	UX60-MB-5S8	S	R/A with positioning post	Thru-Hole	Solder Dip			
798-UX60-MB-5ST	UX60-MB-5ST	T	R/A with positioning post	Bottom Mount	SMT			
798-UX60A-MB-5ST	UX60A-MB-5ST	T	R/A with out positioning post	Bottom Mount	SMT			
798-UX60RA-MB-5ST	UX60RA-MB-5ST	T	Right Angle	Reverse Mount	SMT/Thru-Hole			
798-UX60SC-MB-5S8	UX60SC-MB-5S8	U	Right Angle	Bottom Mount	SMT/Thru-hole shell			
798-UX60SC-MB-5ST	UX60SC-MB-5ST	T	Right Angle	Bottom Mount	SMT			
798-UX60SC-MB-5ST80	UX60SC-MB-5ST(80)	T	Right Angle	Bottom Mount	SMT			
798-UX60SD-MB-5S55	UX60SD-MB-5S55	T	Right Angle	Mid Mount	SMT			

Plug Assemblies

For quantities greater than listed, call for quote.

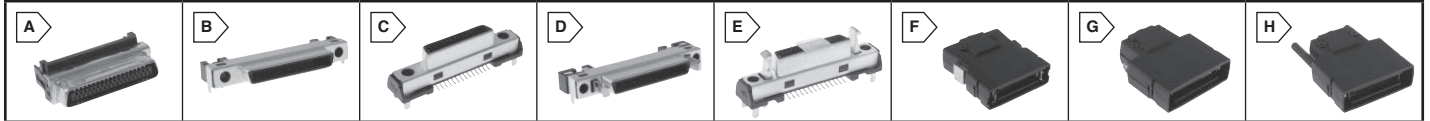
MOUSER STOCK NO.	Hirose Part No.	Fig.	Description	Mounting Style	Cable Diameter	Price Each		
						1	25	100
798-UX40-MB-5P	UX40-MB-5P	V	Straight Plug	Direct wire solder	3.5-4.0mm			
798-UX40A-MB-5P	UX40A-MB-5P	V	Straight Plug	Direct wire solder	4.1-4.6mm			

HIROSE I/O Connectors



HIROSE ELECTRIC CO., LTD.

RoHS Compliant This product is RoHS compliant.



HIROSE DH SERIES - 1MM PITCH SMALL INTERFACE CONNECTORS

Features:

- Support 205Gbps. high-speed transmission interface connector
- Unique contact arrangement for IDC termination
- High speed cable is applicable (AWG#28, insulator outer diameter: 0.9+/-0.04 mm max)
- Drawn D-Shaped opening and secure lock with screw lock/one touch lock
- Excellent shielding for EMI prevention

For quantities greater than listed, call for quote.

For quantities greater than listed, call for quote.

MOUSER STOCK NO.	Hirose Part No.	Fig.	Description	Price Each				MOUSER STOCK NO.	Hirose Part No.	Fig.	Description	Price Each				
				1	10	25	100					1	10	25	100	
Connectors													Accessories (Cont.)			
798-DH40-17S	DH40-17S	A	17P Plug Solder					798-DH-37-CT2B	DH-37-CT2B	F	37P Plastic Button Type Case Cover					
798-DH40-27S	DH40-27S	A	27P Plug Solder					798-DH51CT2B	DH-51-CT2B	F	51P Plastic Button Type Case Cover					
798-DH40-37S	DH40-37S	A	37P Plug Solder					798-DH17CV1B	DH-17-CV1B	G	17P Screw Lock Type Case Cover					
798-DH40-51S	DH40-51S	A	51P Plug Solder					798-DH-37-CV1B	DH-37-CV1B	G	37P Screw Lock Type Case Cover					
798-DH6017P	DH60-17P	B	17P Receptacle R/A Screw Lock					798-DH51CV1B	DH-51-CV1B	G	51P Screw Lock Type Case Cover					
798-DH60-27P	DH60-27P	B	27P Receptacle R/A Screw Lock					798-DH17CV2B	DH-17-CV2B	H	17P Hand Screw Type Case Cover					
798-DH60-37P	DH60-37P	B	37P Receptacle R/A Screw Lock					798-DH-27-CV2B	DH-27-CV2B	H	27P Hand Screw Type Case Cover					
798-DH6051P	DH60-51P	B	51P Receptacle R/A Screw Lock					798-DH-37-CV2B	DH-37-CV2B	H	37P Hand Screw Type Case Cover					
798-DH80-27P	DH80-27P	C	27P Receptacle Screw Lock					798-DH51CV2B	DH-51-CV2B	H	51P Hand Screw Type Case Cover					
798-DH60A17P	DH60A-17P	D	17P Receptacle R/A One Touch Lock					798-DH17CMB63	DH-17-CMB(6.3)	-	17P Metal Clamp 6.3mm Cable Dia.					
798-DH60A-27P	DH60A-27P	D	27P Receptacle R/A One Touch Lock					798-DH-27-CMB(6.9)	DH-27-CMB(6.9)	-	27P Metal Clamp 6.9mm Cable Dia.					
798-DH60A-37P	DH60A-37P	D	37P Receptacle R/A One Touch Lock					798-DH-27-CMB(7.3)	DH-27-CMB(7.3)	-	27P Metal Clamp 7.3mm Cable Dia.					
798-DH60A51P	DH60A-51P	D	51P Receptacle R/A One Touch Lock					798-DH-37-CMB(8.8)	DH-37-CMB(8.8)	-	37P Metal Clamp 8.8mm Cable Dia.					
798-DH80A27P	DH80A-27P	E	27P Receptacle One Touch Lock					798-DH51CMB96	DH-51-CMB(9.6)	-	51P Metal Clamp 9.6mm Cable Dia.					
Accessories													Hardware			
798-DH17CT1B	DH-17-CT1B	F	17P Metal Button Type Case Cover					798-DH-LNA	DH-LNA	-	Lock Screw 1.4-1.6mm					
798-DH-27-CT1B	DH-27-CT1B	F	27P Metal Button Type Case Cover					798-DH-LNA-W4	DH-LNA-W4	-	Lock Screw 0.9-1.2mm					
798-DH-37-CT1B	DH-37-CT1B	F	37P Metal Button Type Case Cover					798-DH-LNA-W8	DH-LNA-W8	-	Lock Screw 0.5-0.8mm					
798-DH51CT1B	DH-51-CT1B	F	51P Metal Button Type Case Cover					798-DH-LNA-W16	DH-LNA-W16	-	Lock Screw No Panel					
798-DH17CT2B	DH-17-CT2B	F	17P Plastic Button Type Case Cover					798-DH60A-SCREW	DH60A-SCREW	-	Lock Screw With Panel, DH60A					
798-DH-27-CT2B	DH-27-CT2B	F	27P Plastic Button Type Case Cover					798-DH80A-SCREW	DH80A-SCREW	-	Lock Screw With Panel, DH80A					

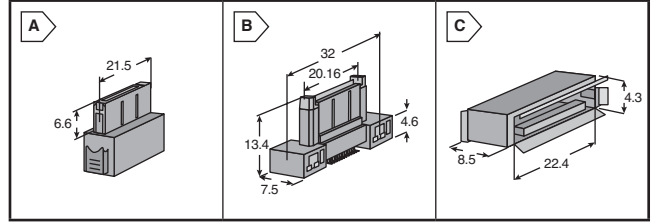
HIROSE 3800 SERIES - HIGH DURABILITY ROBUST INTERFACE CONNECTORS

Features:

- 20,000 times mechanical operation with unique contact structure
- Clear tactile click
- Robust structure with 0.35mm thick metal shell covering the housing
- Mating sequence structure (Sequence range: 0.5mm)
- Small size and light weight
- Simplified cable plug assembly with one-piece hood

For quantities greater than listed, call for quote.

MOUSER STOCK NO.	Hirose Part No.	Fig.	Description	Price Each			
				1	10	25	50
798-3840-B-18P	3840-B-18P	A	18 Position Plug				
798-3880-B-18P	3880-B-18P	B	18 Position Cradle				
798-3860-B-18S	3860-B-18S	C	18 Position Receptacle				



HIROSE ST SERIES - EXTERNAL INPUT/OUTPUT CONNECTORS

Features:

- Strong locking mechanism
- Small size and low profile
- Specifications: Current Rating: 0.5A, Operating Temperature Range: -30°C to +80°C
- Prevention against reversed or angle insertion
- EMI protection
- Voltage Rating: 100V AC

Plugs

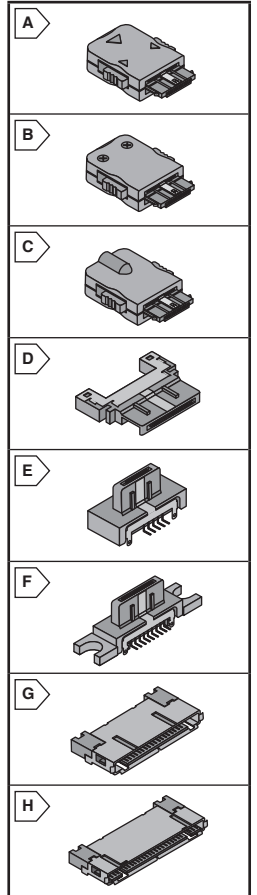
MOUSER STOCK NO.	Hirose Part No.	Fig.	No. of Contacts	Shielded	Price Each			
					1	10	25	100
Standard Type - 4.0mm Max Cable Diameter								
798-ST40-10S-CV80	ST40-10S-CV(80)	A	10	No				
798-ST40X-10S-CV80	ST40X-10S-CV(80)	A	10	Yes				
798-ST40X-18S-CV80	ST40X-18S-CV(80)	A	18	Yes				
798-ST40X-24S-CV80	ST40X-24S-CV(80)	A	24	Yes				
Reverse Type - 4.0mm Max Cable Diameter								
798-ST40-10S-CVR80	ST40-10S-CVR(80)	B	10	No				
798-ST40X-10S-CVR80	ST40X-10S-CVR(80)	B	10	Yes				
798-ST40X-18S-CVR80	ST40X-18S-CVR(80)	B	18	Yes				
Standard Type - 5.8mm Max Cable Diameter								
798-ST40X-18S-CV1	ST40X-18S-CV1	C	18	Yes				
798-ST40X-24S-CV180	ST40X-24S-CV1(80)	C	24	Yes				
Standard Type - 7.0mm Max Cable Diameter								
798-ST40X-36S-CV80	ST40X-36S-CV(80)	C	36	Yes				
Cradle Type - Horizontal								
798-ST60X-18S	ST60X-18S	D	18	Yes				
Cradle Type - Vertical								
798-ST80X-10S	ST80X-10S	E	10	Yes				
798-ST80X-18S50	ST80X-18S(50)	F	18	Yes				

Receptacles

MOUSER STOCK NO.	Hirose Part No.	Fig.	No. of Contacts	Price Each			
				1	10	25	100
Standard Type							
798-ST60-10P	ST60-10P	G	10				
798-ST60-18P50	ST60-18P(50)	G	18				
798-ST60-24P50	ST60-24P(50)	G	24				
798-ST60-36P	ST60-36P	G	36				
Reverse Type							
798-ST60-36PR	ST60-36PR	H	36				

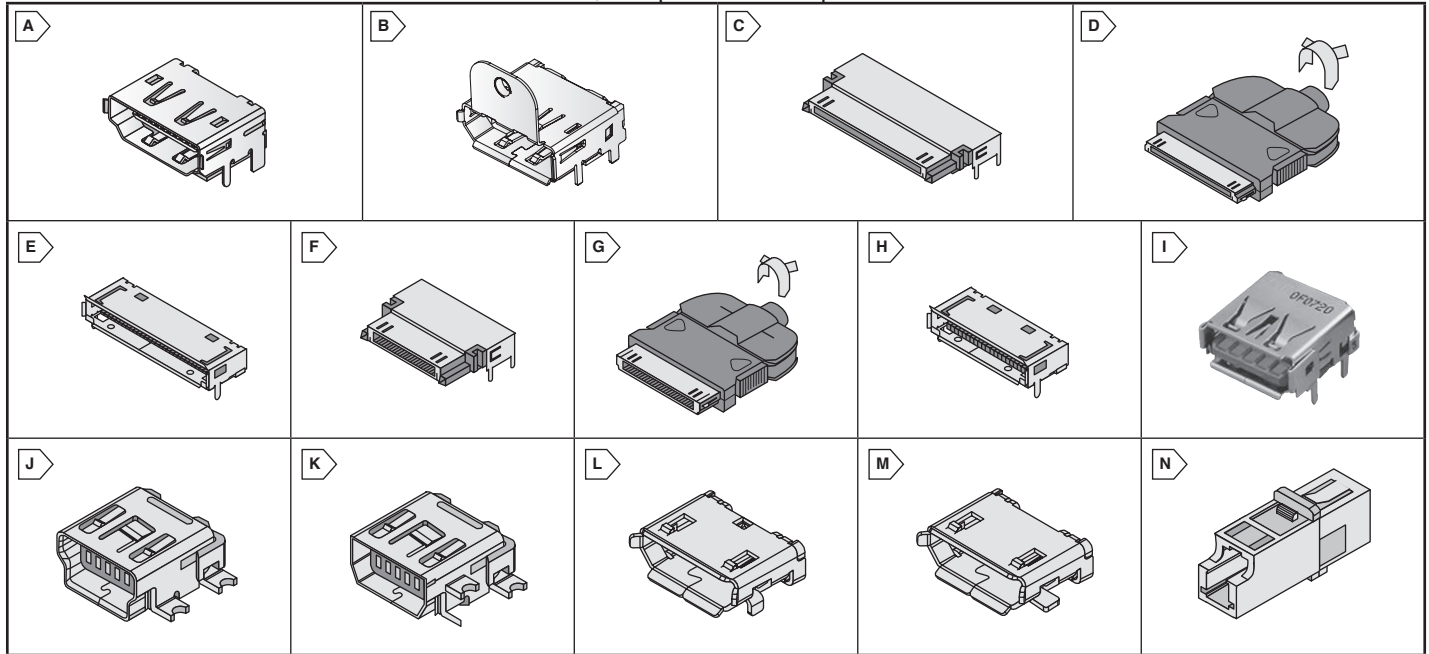
Accessories

For quantities greater than listed, call for quote.							
Bushings							
MOUSER STOCK NO.	Hirose Part No.	Fig.	Description	1	10	25	100
798-ST40X-BS4.0	ST40X-BS(4.0)	---	4.0mm Cable Bushing				
798-ST40X-BS5.8	ST40X-BS(5.8)	---	5.8mm Cable Bushing				
798-ST40X-BS16.8	ST40X-BS1(6.8)	---	6.8mm Cable Bushing				
Clamps							
798-ST40X-CM4.0	ST40X-CM(4.0)	---	4.0mm Cable Clamp				
798-ST40X-CM4.0-5.0	ST40X-CM(4.0-5.0)	---	4-5.0mm Cable Clamp				
798-ST40X-CM5.8	ST40X-CM(5.8)	---	5.8mm Cable Clamp				
798-ST40X-CM6.8	ST40X-CM(6.8)	---	6.8mm Cable Clamp				
798-ST40X-CM16.8	ST40X-CM1(6.8)	---	6.8MM for ST40X-36S				



JAE I/O, USB and Fiber Connectors

RoHS compliant This product is RoHS compliant.



DISPLAYPORT™ CONNECTORS DP1 SERIES

- No. of Contacts: 20 Position
- SMT Right Angle mounting
- Mating Cycles: 10,000
- Rated Current: 0.5A per contact
- Applicable Cable: Twinax Cable (32 or 30AWG)
- Operating temperature: -20°C to +85°C
- Compatible with Display Port V1.1a per VESA Standard)
- RoHS Compliance per JAE Documentation



RoHS Compliant

For quantities greater than listed, call for quote.

MOUSER STOCK NO.	JAE Part No.	Fig.	Description	Price Each			
				1	25	100	250
656-DP1RD20JQ1R400	DP1RD20JQ1R400	A	0.3um Au Contacts				
656-DP1R020JQ3	DP1R020JQ3	B	With Flange M3 x 0.5, 0.3um Au Contacts				

0.50MM INTERFACE CONNECTORS DD1 AND DD2 SERIES

- Conforms to USB2.0 Standard
- Secure ground connection for EMI prevention
- Receptacle: Live insertion
- RoHS Compliance per JAE documentation
- Initial Contact Resistance: 50mΩ Max.
- Rated Current: for signal 0.5A, for power 1.0A



RoHS Compliant

For quantities greater than listed, call for quote.

MOUSER STOCK NO.	JAE Part No.	Fig.	Positions	Description	Price Each			
					1	25	100	250
656-DD1B030VA1	DD1B030VA1	C	30	SMT, Plug 75°				
656-DD1B030HA1R500	DD1B030HA1R500	C	30	SMT, Plug				
656-DD1P030MA1	DD1P030MA1	D	30	Cable Plug				
656-DD1R030HA1R1300	DD1R030HA1R1300	E	30	SMT, Receptacle				
656-DD2B040HA2R500	DD2B040HA2R500	F	40	SMT, Plug				
656-DD2P040MA1	DD2P040MA1	G	40	Cable Plug				
656-DD2R040HP2R1000	DD2R040HP2R1000	H	40	SMT, Receptacle				

3.0 USB CONNECTORS PC2 SERIES

- Compatible with USB3.0 Type A, and enables 10 times faster transmission compared to USB2.0
- Backward compatible with both USB2.0 and USB1.1
- The industry's smallest-in-class mounting space
- EMI characteristics and board soldering strength are enhanced by the 4 hold-downs, twice that of typical products



RoHS Compliant

For quantities greater than listed, call for quote.

MOUSER STOCK NO.	JAE Part No.	Fig.	Positions	Description	Price Each			
					1	25	100	250
656-PC21SU41B17SR300	PC2RN1SU41B17SR300	I	9	Right Angle, Standard Mounting				
656-PC21RU41B17SR300	PC2RN1RU41B17SR300	I	9	Right Angle, Reverse Mounting				

USB CONNECTORS DX SERIES

- Conforms to Universal Serial Bus Specifications Revision 2.0
- Positioning bosses for board mounting
- Contact Resistance: 50Ω max.
- Rated Current: 1.0A
- 5,000 Mating cycles
- RoHS Compliance per JAE documentation



RoHS Compliant

For quantities greater than listed, call for quote.

MOUSER STOCK NO.	JAE Part No.	Fig.	Positions	Description	Price Each			
					1	25	100	250
656-DX2R005HN2E700	DX2R005HN2E700	J	5	Right Angle Mini-B USB				
656-DX3R005HN2E700	DX3R005HN2E700	K	5	Right Angle Mini-AB USB				
656-DX4R005J91R1500	DX4R005J91R1500	L	5	Right Angle Micro-B USB, Through-Hole				
656-DX4R005H91R1500	DX4R005H91R1500	M	5	Right Angle Micro-B USB, SMT				

FIBER OPTIC CONNECTORS FO-EX SERIES

- Separable housing for easy cleaning without separating from panel
- Easy, one hand separation of front and rear housing
- 500 Mating cycles
- Insertion Loss: 0.4dB max. (when master plug is mated)
- RoHS Compliance per JAE documentation



RoHS Compliant

For quantities greater than listed, call for quote.

MOUSER STOCK NO.	JAE Part No.	Fig.	Positions	Description	Price Each			
					1	25	100	250
656-FO-EX-LCAD2	FO-EX-LCAD2	N	Simplex	LC TYPE, Ceramic Sleeve				

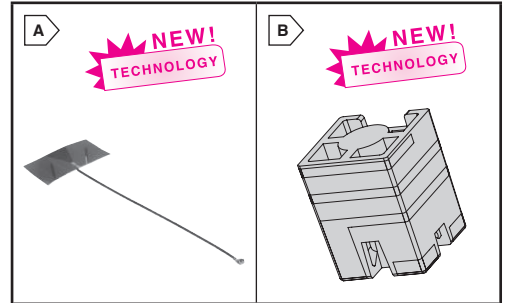
2.4/5 GHZ STANDALONE ANTENNAS

Features:

- Ground-plane-independent design significantly reduces costs and engineering resources needed to tune and optimize ground-plane-dependent antennas
- High-radiation efficiency 34.9 by 9.00mm (1.37 by 0.34") version antenna offers Total Efficiency values of 75% minimum in the 2.4GHz band and 60% minimum in the 5GHz band
- Higher radiation efficiency 35.9 by 15.90mm (1.41 by 0.61") version antenna offers Total Efficiency values of 80% minimum in the 2.4GHz band and 70% minimum in the 5GHz band
- Poly-flexible, double-sided adhesive tape on antenna enables easy peel-and-stick mounting anywhere within the device casing

For quantities greater than listed, call for quote.

MOUSER STOCK NO.	Molex Part No.	Fig.	Description	Flexi-Antenna Dim. (mm)	Cable Length (mm)	Price Each			
						1	10	25	50
538-47950-2001	47950-2001	A	2.4GHz/5GHz Wifi Stand Alone Antenna	34.90x9.00	200.0				
538-47950-2011	47950-2011	A	2.4GHz/5GHz Wifi Stand Alone Antenna	35.90x15.90	200.0				



2.4GHZ SURFACE MOUNT DEVICE ON-GROUND ANTENNA

Features:

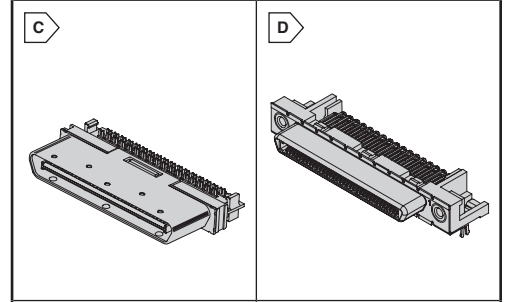
- Valuable PCB real estate savings on both sides of the PCB with the use of this miniature antenna
- No removal of ground layers from beneath the antenna is needed
- Consistent antenna RF performance with the application of Laser Direct Structuring (LDS) - a technology known for its excellent precision, performance and repeatability
- The high-temperature base material and the metal plating technology employed allows the antenna to endure reflow temperatures - an ideal condition for a standard SMT process
- The product is halogen-free and RoHS-compliant

Electrical:

- RF Power (Watt): 2
- Frequency (MHz): 2400 to 2483.5
- Return Loss - S11 (dB): < -9
- Average Total Efficiency (%): > 70%
- Peak Gain (dBi): 3.0
- Polarization: Linear
- Input Impedance (Ohms): 50

For quantities greater than listed, call for quote.

MOUSER STOCK NO.	Molex Part No.	Fig.	Description	Price Each			
				1	10	100	500
538-47948-0001	47948-0001	B	2.4 GHz SMD on Ground				



0.80MM ULTRA+™ VHDCI CONNECTOR SYSTEM

Molex's Ultra+™ VHDCI (Very High Density Cable Interconnect) connector system is a leader among the next generation of high-density I/O interconnects. These connectors are designed for high performance memory transfer applications supporting the latest SCSI-style interfaces. They offer greatly increased density compared to existing SCSI connector styles. They are also suited for other high density I/O needs.

Features:

- Blade on beam, bullet nose lead-in
- Meets EIA, ANSI/SFF-8441 & SPI-4
- Shielded
- RoHS Compliant per Molex documentation

Applications:

- Mainframes
- File servers
- RAID (Redundant Arrays of Inexpensive Disks)
- Tape and disk drives

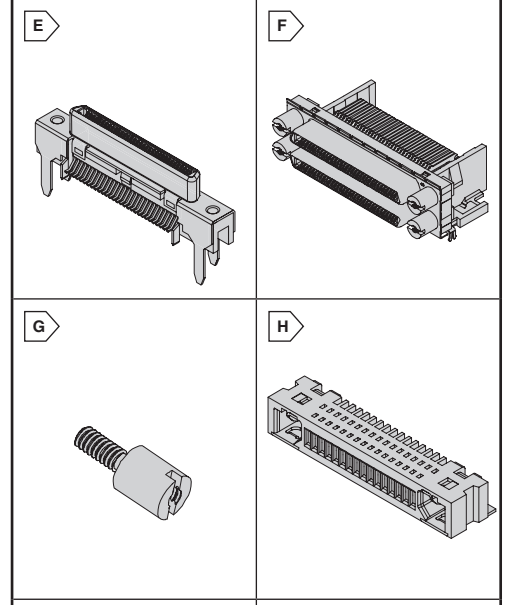
For quantities greater than listed, call for quote.

MOUSER STOCK NO.	Molex Part No.	Fig.	No. of Pos.	Description	Price Each			
					1	10	25	50
IDT Plug: Mates with Receptacles: 71430, 73776, and 74337								
538-71425-3001	71425-3001	C	68	Vertical, shielded				
Receptacles: Mates with Plug: 71425-3001								
538-71430-0004	71430-0004	D	68	Right-angle with enhanced shield				
538-71430-0009	71430-0009	D	68	Right-angle with enhanced shield				
538-71430-0268	71430-0268	D	68	Right-angle without enhanced shield				
538-73776-0201	73776-0201	E	68	Vertical, shielded				
538-74337-0015	74337-0015	F	136	Right-angle, shielded				
538-74337-0054	74337-0054	F	136	Right-angle with enhanced shield				
538-74337-0070	74337-0070	F	136	Right-angle, shielded				
Backshell Kit								
538-73796-3001	73796-3001	-	-	Plug Backshell Kit, Black				

VHDCI Female Jackpost, M2-by-0.4mm Internal Thread

For quantities greater than listed, call for quote.

MOUSER STOCK NO.	Molex Part No.	Fig.	Description	Price Each			
				1	50	100	500
538-71433-0002	71433-0002	G	Nickel plated steel female jackpost				



HANDYLINK™ CONNECTORS

Molex's new 0.80mm (.031") pitch HandyLink™ product family of connectors, cable assemblies and accessories offers a perfect solution to any hand-held device, design, or application. The HandyLink™ family includes a right-angle SMT receptacle, a wire and PCB version of the plug, and a perpendicular or parallel mounted cradle connectors for docking applications.

Features:

- USB 2.0 compatible with speeds up to 622Mbps
- Low profile receptacle: 3.5mm height and 21.00mm width
- Plugs feature first mate last break pins (2 and 16)
- Plugs in both wire and PCB versions
- 20,000 mating cycles
- 1.5 amps continuous per pin (up to 3 amps)
- RoHS Compliant per Molex documentation

Applications:

- Hand held consumer devices
- Retail scanners and bar code readers
- Portable music equipment
- Mobile computing
- Navigation and GPS
- PDAs
- Cellular telephones

Connectors

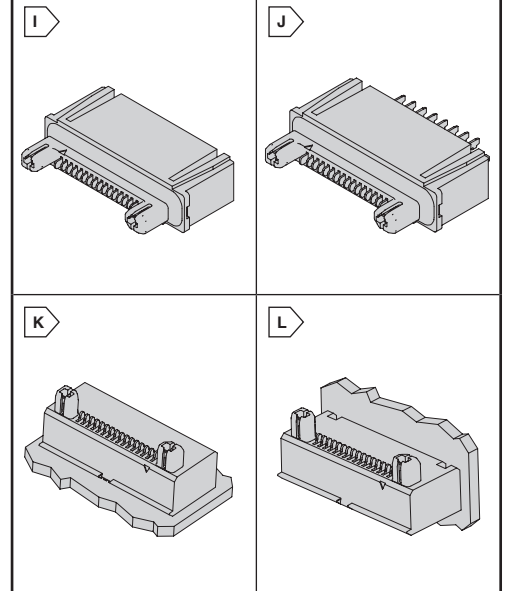
For quantities greater than listed, call for quote.

MOUSER STOCK NO.	Molex Part No.	Fig.	No. of Pos.	Description	Price Each			
					1	10	25	50
538-44828-1162	44828-1162	H	16	SMT Right-Angle Receptacle				
538-45593-1600	45593-1600	I	16	Plug (PCB Version)				
538-45339-1600	45339-1600	J	16	Plug (Wire Termination Version)				
538-45560-0161	45560-0161	K	16	SMT Cradle Connector (Parallel to PCB)				
538-45560-0160	45560-0160	L	16	SMT Cradle Connector (Perpend. to PCB)				

Cable Assemblies


For quantities greater than listed, call for quote.

MOUSER STOCK NO.	Molex Part No.	Description	Price Each			
			1	10	25	50
538-36697-0001	36697-0001	1.0m HandyLink™ to HandyLink™, Straight				
538-36697-0021	36697-0021	1.0m HandyLink™ to USB, Straight				
538-36697-0031	36697-0031	1.0m HandyLink™ to Pigtail, Straight				



MOLEX HDMI, Displayport™ and DVI Connectors

HDMI CONNECTORS AND CABLE ASSEMBLIES

RoHS Compliant  This product is RoHS compliant.

Molex's new HDMI (High Definition Multimedia Interface) connectors and cable assemblies provide an uncompressed digital link between consumer electronics equipment such as DVD players, set-top boxes and audio/video monitors such as plasma display screens for high-definition TVs. HDMI is a small, user-friendly interconnect that provides up to 5Gbps of bandwidth to support high-definition video plus multi-channel audio in a single cable.

Receptacles

For quantities greater than listed, call for quote.

MOUSER STOCK NO.	Molex Part No.	Fig.	No. of Pos.	Description	Price Each		
					1	10	50
538-47151-0001	47151-0001	A	19	Standard panel mount, 4 dimples, no back cover			
538-47151-1001	47151-1001	A	19	Standard panel mount, 4 dimples, back cover incl.			
538-500254-1927	500254-1927	A	19	Standard panel mount, 2 dimples, back cover incl.			
538-47151-0002	47151-0002	B	19	Flange panel mount, 4 dimples, no back cover			
538-47151-1002	47151-1002	B	19	Flange panel mount, 4 dimples, back cover incl.			
538-500254-1931	500254-1931	B	19	Flange panel mount, 2 dimples, back cover incl.			
538-47408-0001	47408-0001	C	19	Reverse type, right angle, without dimple			
538-47266-0001	47266-0001	D	19	Flange type, right angle, SMT, black			
538-47648-2000	47648-2000	E	19	Mini HDMI Recept, SMT, 30AU			
538-46765-0001	46765-0001	F	19	Micro HDMI, SMT			
538-46765-1001	46765-1001	G	19	Micro HDMI, SMT with thru-hole shell tabs			
538-46765-2001	46765-2001	G	19	Micro HDMI, SMT with hybrid shell tabs			

Cable Assemblies

For quantities greater than listed, call for quote.

MOUSER STOCK NO.	Molex Part No.	Description	AWG	Length m (ft)	Price Each			
					1	5	10	25
538-68786-0020	68786-0020	Micro HDMI to HDMI, with Ethernet and Audio Return Channel, Ver. 1.4	34	2 (6.6)				
538-68786-0003	68786-0003	Micro HDMI to HDMI	32	2 (6.6)				
538-88768-9800	88768-9800	HDMI to HDMI	28	1 (3.3)				
538-88768-9810	88768-9810	HDMI to HDMI	28	2 (6.6)				
538-88768-3510	88768-3510	HDMI to DVI	28	2 (6.6)				

DISPLAYPORT™ CONNECTORS AND CABLE ASSEMBLIES

Features:

- Color: Black
- EMI Shielding
- Latches available
- Meets DisplayPort specification 1.0
- Supports up to 2.7Gbps transfer rate
- Detent locks
- Polarized
- Small footprint

For quantities greater than listed, call for quote.

MOUSER STOCK NO.	Molex Part No.	Fig.	Description	Price Each			
				1	5	10	25
Receptacles							
538-47272-0001	47272-0001	H	R/A, SMT, 30AU, with latchholes and pegs				
538-47272-1002	47272-1002	H	R/A, SMT, 30AU, with cover, latchholes and pegs				
538-47272-0024	47272-0024	H	R/A, SMT, 30AU, with cover, latchholes, pegs, mylar				
538-47272-0026	47272-0026	H	R/A, SMT, 30AU, with latchholes and pegs, w/o post				
538-47272-0021	47272-0021	H	R/A, SMT, AU flash, with latchholes and pegs				
538-47272-0025	47272-0025	I	R/A, SMT, 30AU, with flange, latchholes, pegs, mylar				
538-47272-1004	47272-1004	I	R/A, SMT, 30AU, with flange, latchholes and pegs				
538-47272-0027	47272-0027	I	R/A, SMT, 30AU, w/flange, cover, latchholes, pegs, mylar				
538-47272-1005	47272-1005	I	R/A, SMT, 30AU, with flange, latchholes and SMT pegs				
538-47272-0023	47272-0023	I	R/A, SMT, 30AU, w/flange, latchholes, SMT pegs, mylar				
538-47272-0028	47272-0028	I	R/A, SMT, AU flash, with flange, latchholes, pegs, mylar				
538-105081-0001	105081-0001	J	Mini-DisplayPort recept, R/A, TH, 30AU				
Cable Plug - Assembly Components - (Component quantity required is 1 each)							
538-47271-0011	47271-0011	K	0.50mm plug sub assembly with latch holes				
538-47271-1008	47271-1008	K	Upper inner shell with latch hole				
538-47271-1009	47271-1009	K	Lower inner shell				
538-47271-1016	47271-1016	K	Left side latch				
538-47271-2016	47271-2016	K	Right side latch				
538-47271-0004	47271-0004	K	Compressible upper cover, black UL94V-0				
538-47271-0005	47271-0005	K	Lower cover, black UL94V-0				
Cable Assemblies							
538-68783-0007	68783-0007	L	2 meter (6.6') cable with latches				
538-68783-0001	68783-0001	L	3 meter (9.8') cable with latches				
Adapters							
538-74766-0006	74766-0006	-	Displayport to DVI-F 10" length				

MICROCROSS DVI (DIGITAL VISUAL INTERFACE) CONNECTOR SYSTEM

Headers

Features:

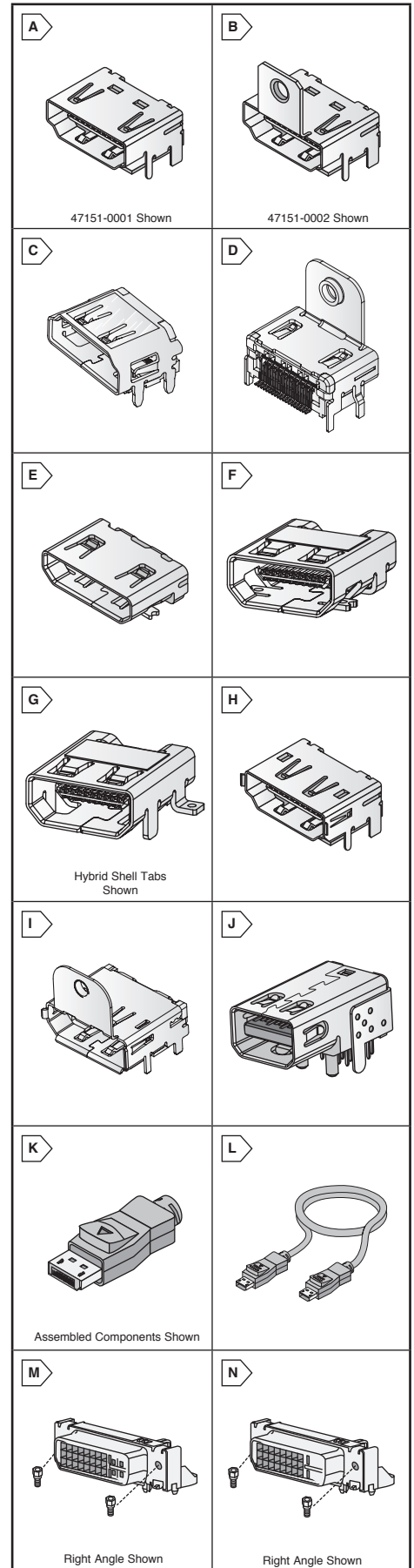
- Supports digital signals
- Plug and play interface
- LHF contact design is rugged and reliable
- Panel mount
- DDWG DVI standard interface
- Supports 4.95Gbps over a single link and 9.9Gbps performance over a dual link implementation
- Through hole, PCB

Specifications:

- Rating: UL94V-0
- Voltage: 40V
- Current: 3.0A
- Housing: Thermoplastic, glass filled

For quantities greater than listed, call for quote.

MOUSER STOCK NO.	Molex Part No.	Fig.	No. of Pos.	Description	Price Each			
					1	5	10	25
DVI-I Digital/analog Visual Interface Receptacle Headers								
538-74320-1004	74320-1004	M	29	gold flash, right angle				
538-74320-1000	74320-1000	M	29	30µ" gold, right angle				
538-74320-3000	74320-3000	M	29	30µ" gold, vertical				
538-74320-3004	74320-3004	M	29	gold flash, vertical				
DVI-D Digital Visual Interface Receptacle Headers								
538-74320-4004	74320-4004	N	24	gold flash, right angle				
538-74320-4000	74320-4000	N	24	30µ" gold, right angle				
538-74320-5004	74320-5004	N	24	gold flash, vertical				



Data/Network/Telecom Molex

TE CONNECTIVITY Connectors and USB Receptacles



This product is RoHS compliant.

0.6MM CL HIGH SPEED CHAMP DOCKING CONNECTORS

Features:

- Strong sense of contacting from the side latches when pushing/pulling
- Signal/ground to conform EMI prevention
- Mis-insertion prevented and guide rail equipped for mating

- USB 3.0, HDMI, and display port compliance
- Guaranteed 10,000 plug-ins

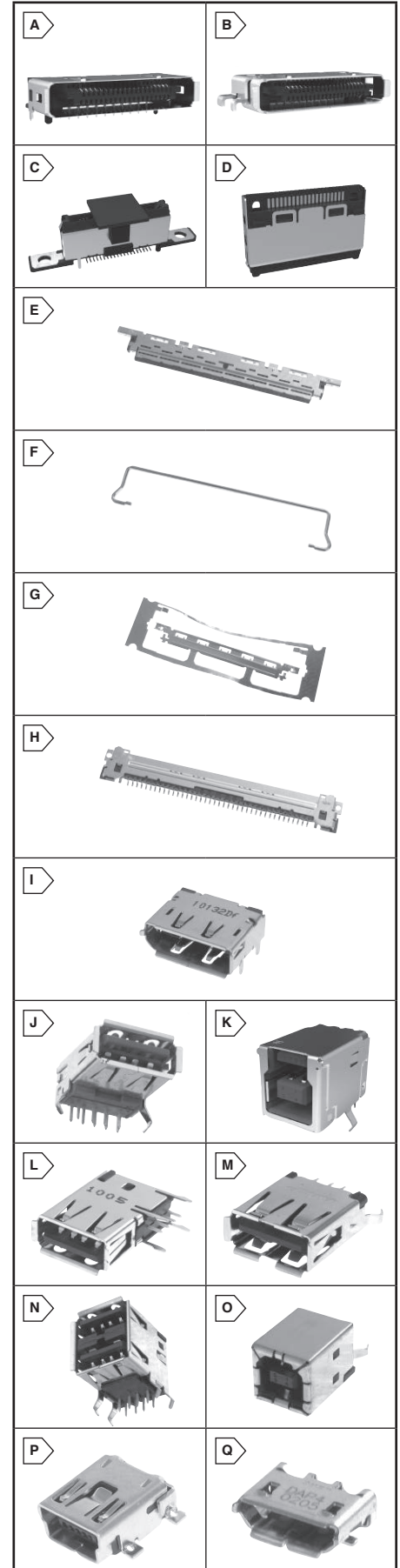
Applications:

- Tablet PC
- Laptop PC
- MID (Mobile Internet Devices)
- Converged mobile phone



For quantities greater than listed, call for quote.

MOUSER STOCK NO.	TE Part No.	Fig.	Mount Style	Direction	Description	Mating Parts	Price Each		
							1	10	25
Receptacles									
571-2129260-2	2129260-2	A	2-Row T/H 1-Row SMT	Right Angle	Without Screwlock	2129261-1 2129276-1			
571-2129273-1	2129273-1	B	2-Row T/H 1-Row SMT	Right Angle Mid-Mount	Without Screwlock	2129261-1 2129276-1			
Plugs									
571-2129261-1	2129261-1	C	2-Row T/H 1-Row SMT	Vertical	Cradle	2129260-2 2129273-1			
571-2129276-1	2129276-1	D	Solder	N/A	Cable Plug	2129260-2 2129273-1			



LCD COAXIAL EMBEDDED DISPLAY INTERFACE (LCEDI) CONNECTORS

TE Connectivity offers the next generation LCD Coaxial Embedded Display Interface (LCEDI) family of connectors designed to provide exceptional electrical performance in both low-voltage differential signaling (LVDS) and embedded DisplayPort (eDP) applications.

Features:

- Ultra-low profile mating configuration
- Compatible and interchangeable with I-PEX CABLINE-VS connector series

Applications:

- Slim LED Backlight LCD Panel
- Notebook PC Applications

For quantities greater than listed, call for quote.

MOUSER STOCK NO.	TE Part No.	Fig.	Description	Price Each		
				1	25	50
571-2023344-2	2023344-2	E	Plug Assembly, 30 Pos.			
571-2023344-3	2023344-3	E	Plug Assembly, 40 Pos.			
571-2023348-2	2023348-2	F	Pull Bar, 30 Pos.			
571-5-2023347-2	5-2023347-2	G	Connector Shell, 30 Pos.			
571-5-2023347-3	5-2023347-3	G	Connector Shell, 40 Pos.			
571-5-2069716-2	5-2069716-2	H	Receptacle Header, 30 Pos.			
571-5-2069716-3	5-2069716-3	H	Receptacle Header, 40 Pos.			

TE DISPLAY PORT CONNECTORS

Features:

- Future foundation for new display usages featuring higher color depths, display resolutions and fresh rates
- User-friendly and cost effective
- Smaller footprint takes up less PCB space yet provides scalable performance in terms of resolution

- Reduces numbers of wires required
- Supports embedded clock
- Superior shielding against EMI
- Replace DVI & VGA interfaces
- Optional latching feature prevents longer cables from detaching

Applications:

- PCs
- External display interconnects
- DVD players
- Game consoles
- Mobile Devices
- Personal Video records
- Optical disc players

For quantities greater than listed, call for quote.

MOUSER STOCK NO.	TE Part No.	Fig.	Description	Price Each		
				1	25	50
571-2013655-1	2013655-1	I	Right Angle, SMT without Mounting Flange, with Boss			
571-2040451-1	2040451-1	I	Right Angle, Through hole without Mounting Flange, with Boss			

USB 3.0 RECEPTACLES

Features:

- Minimizes user wait-time
- Backward compatible with USB 2.0 connector
- Minimize connector form factor variations
- Comprehend ease-of-use aspects
- Optimized power efficiency
- Plug and Play capacity

Applications:

- Desktop and Laptop Computers
- Camera
- Digital Audio
- High-volume Storage Devices
- Scanners
- Game ports
- GPS Devices
- MP3 Players
- High definition A/V equipment
- Keyboards/Mice/Joysticks

For quantities greater than listed, call for quote.

MOUSER STOCK NO.	TE Part No.	Fig.	Type	No. of Ports	Description	Price Each			
						1	50	100	250
571-1932258-1	1932258-1	J	A	1	Right Angle, Blue, Thru-hole				
571-1932259-1	1932259-1	K	B	1	Right Angle, Blue, Thru-hole				

USB RECEPTACLES

Features:

- Consolidates serial parallel, keyboards, mice and game ports
- Compatible with asynchronous and isochronous data transfer methods
- Polarized for proper orientation
- Plug and Play capability
- Hot pluggable, permitting attaching or detaching peripherals without power down or reboot
- Allows for charging

Applications:

- Desktop and Laptop Computers
- Game Ports
- Digital Audio
- Modems
- Portable Storage Devices
- Cell Phones
- GPS Devices
- MP3 Players

For quantities greater than listed, call for quote.

MOUSER STOCK NO.	TE Part No.	Fig.	Type	No. of Ports	Description	Price Each		
						1	25	50
USB								
571-292303-1	292303-1	J	A	1	Right Angle, Black, Thru-hole			
571-292336-1	292336-1	L	A	1	Flag, Black, Thru-hole			
571-1734366-1	1734366-1	M	A	1	Vertical, Black, Thru-Hole			
571-5787617-1	5787617-1	N	A	2	Right Angle, Dual Stacked, Black, Thru-hole			
571-292304-1	292304-1	K	B	1	Right Angle, Black, Thru-hole			
571-292304-2	292304-2	K	B	1	Right Angle, Natural, Thru-hole			
571-5787834-1	5787834-1	O	B	1	Vertical, Black, Thru-Hole			
Mini USB								
571-1734035-1	1734035-1	P	B	1	Right Angle, Black, SMT			
Micro USB								
571-1981568-1	1981568-1	Q	B	1	Right Angle, Black, SMT			

WURTH ELECTRONICS I/O Connectors and Modular Jacks



USB 3.0 CONNECTORS



RoHS Compliant

RoHS Compliant This product is RoHS compliant.

For quantities greater than listed, call for quote.

MOUSER STOCK NO.	Wurth Electronics Part No.	Fig.	Description	Price Each			
				1	25	100	250
710-692121030100	692121030100	A	Horizontal Type A Thru-Hole				
710-692121230100	692121230100	B	Horizontal Type A, Offset 1.04mm Thru-Hole				
710-692121130100	692121130100	C	Reverse Horizontal Type A, Offset 0.14mm Thru-Hole				
710-692122030100	692122030100	D	Horizontal Type A SMD				
710-692141030100	692141030100	E	Horizontal Type A Dual, Thru-Hole				
710-692112030100	692112030100	F	Horizontal Type A SMD with Clip				
710-692221030100	692221030100	G	Horizontal Type B Thru-Hole				
710-7497110616	7497110616	H	WE-RJ45 LAN with dual USB 3.0				

USB 3.0 CABLE ASSEMBLIES



RoHS Compliant

For quantities greater than listed, call for quote.

MOUSER STOCK NO.	Wurth Electronics Part No.	Fig.	Description	Price Each			
				1	25	100	250
710-692901100000	692901100000	I	USB 3.0 Type A Male to Type A Male				
710-692902100000	692902100000	J	USB 3.0 Type A Male to Type A Female				
710-692903100000	692903100000	K	USB 3.0 Type A Male to Type B Male				
710-692904100000	692904100000	L	USB 3.0 Type A Male to Micro B Male				

USB CONNECTORS



RoHS Compliant

For quantities greater than listed, call for quote.

MOUSER STOCK NO.	Wurth Electronics Part No.	Fig.	Description	Price Each			
				1	25	100	250
710-614004134726	614004134726	M	USB Type A Up Right				
710-614004135023	614004135023	N	USB Type A Vertical				
710-614008235023	614008235023	O	USB Type A Vertical Dual				
710-61400416021	61400416021	P	USB Type A Horizontal				
710-61400826021	61400826021	Q	USB Type A Horizontal Dual Stacked				
710-61400413321	61400413321	R	USB Type B Vertical				
710-61400416121	61400416121	S	USB Type B Horizontal				

MINI USB CONNECTORS



RoHS Compliant

For quantities greater than listed, call for quote.

MOUSER STOCK NO.	Wurth Electronics Part No.	Fig.	Description	Price Each			
				1	25	100	250
710-651005136421	651005136421	T	Mini USB Type B Vertical 5 Contacts				
710-651005136521	651005136521	U	Mini USB Type B Horizontal 5 Contacts				
710-65100516121	65100516121	V	Mini USB Type B SMT Horizontal 5 Contacts				

HDMI CONNECTORS



RoHS Compliant

For quantities greater than listed, call for quote.

MOUSER STOCK NO.	Wurth Electronics Part No.	Fig.	Description	Price Each			
				1	25	100	250
710-685119134923	685119134923	W	SMT Horizontal HDMI				
710-685119135725	685119135725	W	SMT Horizontal HDMI with UNC 4-40 SCREW				
710-685119136923	685119136923	X	SMT Horizontal Mini HDMI				

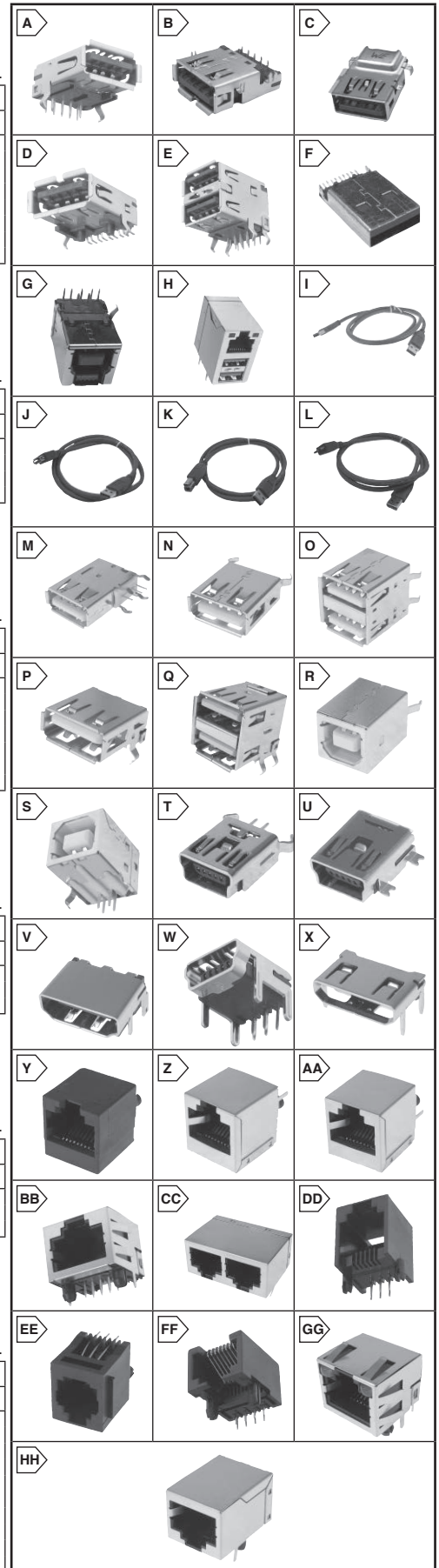
MODULAR JACKS



RoHS Compliant

For quantities greater than listed, call for quote.

MOUSER STOCK NO.	Wurth Electronics Part No.	Fig.	Description	Price Each			
				1	25	100	250
710-615008138021	615008138021	Y	Vertical Plastic 8P8C				
710-615008138221	615008138221	Z	Vertical Shielded 8P8C Front Post				
710-615008140421	615008140421	AA	Vertical Shielded 8P8C Rear Post				
710-615008140621	615008140621	BB	Horizontal Shielded w/EMI Panel Finger 8P8C Tab Up				
710-615016137621	615016137621	CC	Horizontal Shielded Dual Port 8P8C Tab Down				
710-615006138421	615006138421	DD	Horizontal Plastic 6PxC Tab Up				
710-615006138521	615006138521	EE	Vertical Plastic 6P6C with Ears				
710-615008137121	615008137121	FF	Horizontal Plastic 8P8C Thru-Hole Tab Down				
710-615008137421	615008137421	GG	Horizontal Shielded w. LED & EMI Panel Finger 8P8C Tab Up				
710-61500814221	61500814221	HH	Horizontal Shielded 8P8C Tab Down				



Data/Network/Telecom Wurth Electronics

RoHS Compliant This product is RoHS compliant.



USB 3.0

Type A and B Features:

- Fully compliant with USB 2.0 and 3.0 specifications
- Provides the interface for Super Speed up to 5Gbps data rate
- Backwards compatible with USB 2.0
- 5 metal friction lock grounding fingers and polarization plastic design ensure plug retention
- Full metal shielding for EM/RF/ESD protection
- High temperature plastic for SMT process and Halogen Free solution
- High Durability class: 5000 cycles min.

Micro B Features:

- Provides the interface for Super Speed up to 5 Gbps data rate
- Stable signal transmission
- Greater real estate space savings
- Reliable Co-planarity within a 0.08mm
- Durability: 10,000 Cycles min.
- High temperature plastic for SMT process and Halogen Free solution

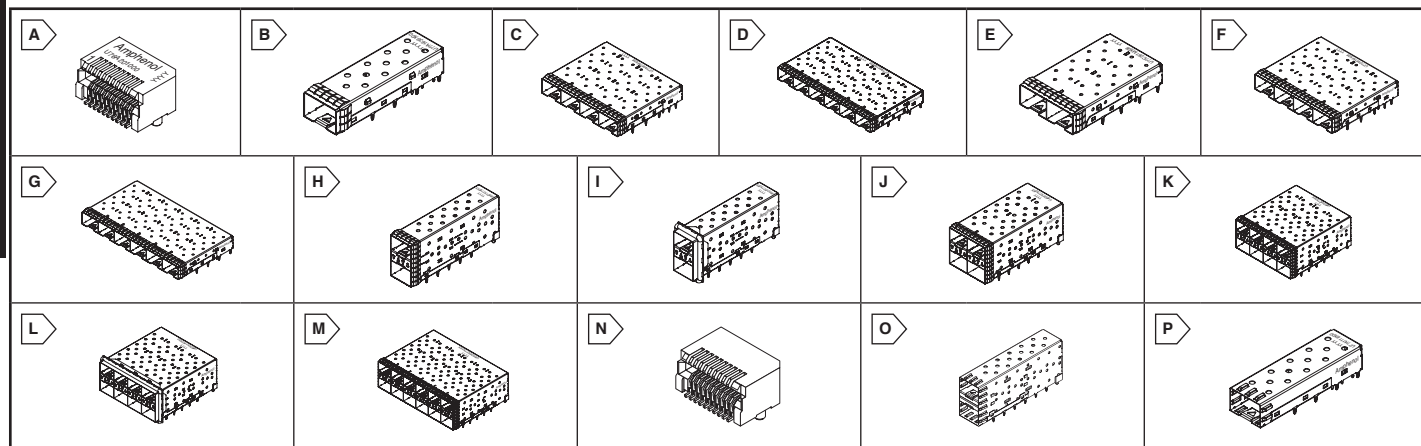
Applications:

- TV/LCD Monitor
- PCLaptops
- Notebooks
- Printers
- DSC
- Portable Devices

For quantities greater than listed, call for quote.

MOUSER STOCK NO.	Amphenol Part No.	Fig.	Description	Price Each				
				1	25	50	100	500
523-GSB311131HR	GSB311131HR	A	Type A, Right Angle Receptacle, Through Hole, Standard Type, Blue, 30µ" Gold					
523-GSB3211311WEU	GSB3211311WEU	B	Type B, Right Angle, Receptacle, Through Hole, Standard Type, Blue, 30µ" Gold					
523-GSB343133HR	GSB343133HR	C	Micro-B, Right Angle Receptacle, 0.65mm Pitch, SMT, Standard Type, Black, 30µ" Gold					
523-GSB311231HR	GSB311231HR	D	Type A, Stacked, Right Angle, Plug, DIP Type, Blue, 30µ" Gold					
523-GSB317131HR	GSB317131HR	E	Type A, Plug, Cable Type, Overmold, Blue, 30µ" Gold					
523-GSB327133WEU	GSB327133WEU	F	Type B, Plug End, Black, 30µ" Gold					

Amphenol Data/Network/Telecom



ExpressPort™ SFP+

These High speed I/O interconnect systems provide a higher speed, inexpensive external I/O product. This design minimizes impedance discontinuities and reflections at high data rates, and provides a 10-20dB improvement in Near-End Crosstalk, allowing the use of longer copper cables, improved PCB mounting and resulting in an overall lower interconnect budget.

Applications:

- Routers
- Storage Applications
- Switches
- Media Converters

Features:

- Meets SFF-8432 and SFF-8433 standards
- 10+Gbps serial data transmission
- Compliant pin press-fit tails
- 250 mating cycles

For quantities greater than listed, call for quote.

MOUSER STOCK NO.	Amphenol Part No.	Fig.	Description	Price Each			
				1	10	25	100
523-UE76A203000T	UE76A203000T	A	Connector 30 u" Gold Matte Tin Tails				
523-U77A16392001	U77A16392001	B	1X1 Cage Press Fit Metal Spring Fingers				
523-U77A461M2081	U77A461M2081	C	1X4 Cage Metal Spring Fingers				
523-U77A441M2081	U77A441M2081	C	1X4 Cage Elastomeric Gasket				
523-U77A661M2081	U77A661M2081	D	1X6 Cage Metal Spring Fingers				
523-U77C16133001	U77C16133001	-	1X1 Cage 3.2mm Solder tail, Metal Spring Fingers with Light Pipe				
523-U77C261M2081	U77C261M2081	E	1X2 Cage Metal Spring Fingers with Light Pipes				
523-U77C461M2081	U77C461M2081	F	1X4 Cage Metal Spring Fingers with Light Pipes				
523-U77C661M2081	U77C661M2081	G	1X6 Cage Metal Spring Fingers with Light Pipes				
523-U77C641M2081	U77C641M2081	G	1X6 Cage Elastomeric Gasket with Light Pipes				
523-U86D162710121	U86D162710121	H	2x1 Combo Metal Spring Fingers 2 Light Pipes Per Port				
523-U86D142710121	U86D142710121	I	2x1 Combo Elastomeric Gasket 2 Light Pipes Per Port				
523-U86D262710121	U86D262710121	J	2x2 Combo Metal Spring Fingers 2 Light Pipes Per Port				
523-U86D462710121	U86D462710121	K	2x4 Combo Metal Spring Fingers 2 Light Pipes Per Port				
523-U86D442710121	U86D442710121	L	2x4 Combo Elastomeric Gasket 2 Light Pipes Per Port				
523-U86D662710121	U86D662710121	M	2x6 Combo Metal Spring Fingers 2 Light Pipes Per Port				

Accessory

523-U7711408020P	U7711408020P	-	Dust Cover - One Port				
------------------	--------------	---	-----------------------	--	--	--	--

SMALL FORM FACTOR PLUGGABLE (SFP)

Amphenol's SFP series is a 20 position connector and cage combo for mounting to a host PCB with a metal cage enclosing the connector. The connectors are similar to GBIC, but are smaller in size and operate at much faster data transfer rates. Single port version is rated up to 4.125 Gbps data rates and stacked versions are rated up to 8Gbps. The cages are a one-piece construction with enhanced transceiver mating tabs available in press-fit version.

Applications:


- Servers
- Storage Devices
- Routers
- Switches
- Optical Devices
- Network Devices

For quantities greater than listed, call for quote.

MOUSER STOCK NO.	Amphenol Part No.	Fig.	Description	Price Each			
				1	25	100	500
523-UE75-A20-3000T	UE75-A20-3000T	N	1x4 20 Position Press Fit Right Angle SMD				
523-U78-B1126-00121	U78-B1126-00121	O	2x1 20 Position Connector-Cage Combo				
523-U77-A1118-200T	U77-A1118-200T	P	1x1 Single Cage Press Fit 12 EMI Pins				
523-U77-A4114-2001	U77-A4114-2001	-	1x4 Press Fit Cage for SMD Connector				

Accessory

523-U77-A1110-8000P	U77-A1110-8000P	-	Non-Metalized Dust Cover - 1 Port				
---------------------	-----------------	---	-----------------------------------	--	--	--	--

 This product is RoHS compliant.

SFP SERIES CONNECTORS AND ACCESSORIES

SFP Connectors

- Voltage: 120VAC
- Temperature: -55°C to 85°C
- Differential Impedance: 100Ω
- Hot Swappable
- Compatible with SFP MSA Compliant Modules



RoHS Compliant

For quantities greater than listed, call for quote.

MOUSER STOCK NO.	TE Part No.	Fig.	Description	Price Each		
				1	5	10
571-13670731	1367073-1	A	20 Position, SMT, RoHS, 15μm Gold			
571-13670732	1367073-2	A	20 Position, SMT, RoHS, 30μm Gold			
571-1658197-1	1658197-1	A	20 Position, SMT, RoHS, 30μm Gold with surface treatment			
571-1888247-1	1888247-1	A	20 Position, SMT, RoHS, 30μm Gold with surface treatment and enhanced contact formation for high speed signal lines			

Single Port SFP Cages

For quantities greater than listed, call for quote.

MOUSER STOCK NO.	TE Part No.	Fig.	Description	Price Each		
				1	5	10
Standard						
571-6367034-1	6367034-1	B	SFP Lower Cage, SMT Process Compatible			
571-6367035-1	6367035-1	C	SFP Upper Cage, SMT Process Compatible			
571-1489779-1	1489779-1	D	Single Port, SFP Cage, Press Fit Standard applications			
571-1489669-1	1489669-1	D	Single Port, SFP Cage, Press Fit Belly-to-Belly applications			
Light Pipe						
571-1367629-1	1367629-1	D	Single Port, SFP Cage, Press Fit with Light Pipe Assembly			

Ganged SFP Cages

For quantities greater than listed, call for quote.

MOUSER STOCK NO.	TE Part No.	Fig.	Description	Price Each		
				1	5	10
Standard						
571-1761014-1	1761014-1	E	1x2 SFP Cage, Press Fit			
571-1658744-1	1658744-1	E	1x4 SFP Cage, Press Fit			
571-1761015-1	1761015-1	E	1x6 SFP Cage, Press Fit			
Light Pipe						
571-1761007-1	1761007-1	E	1x2 SFP Cage, Press Fit, with Light Pipe Assembly			
571-1761008-1	1761008-1	E	1x4 SFP Cage, Press Fit, with Light Pipe Assembly			
571-1658939-1	1658939-1	E	1x6 SFP Cage, Press Fit, with Light Pipe Assembly			

Stacked SFP Cages

For quantities greater than listed, call for quote.

MOUSER STOCK NO.	TE Part No.	Fig.	Description	Price Each		
				1	5	10
Standard						
571-1658391-1	1658391-1	F	2x1 SFP Cage, Press Fit			

SFP+ SERIES CONNECTORS AND ACCESSORIES

Features:

- SFP+ interconnect system supports data rates of 10Gb/s
- Connector designed to support 10Gb/s+ signal speeds, backward compatible with SFP and cable assemblies
- Both EMI spring and gasket options for cages provide excellent shielding
- Heatsink optional for single port cages
- All cage configurations are offered with lightpipes for LED applications
- Cages are available for PCI card applications (one degree mounting angle)
- Active and passive copper cable assemblies provide a cost-effective solution for short reach applications.
- Cages accommodate belly-to-belly mounting and cable assemblies
- Passive copper cable assemblies provide cost-effective solutions for short reach applications

Applications:

- Storage
- Servers
- Networking
- Switches
- Routers
- Hubs
- Network Interface Cards (NICs)



RoHS Compliant

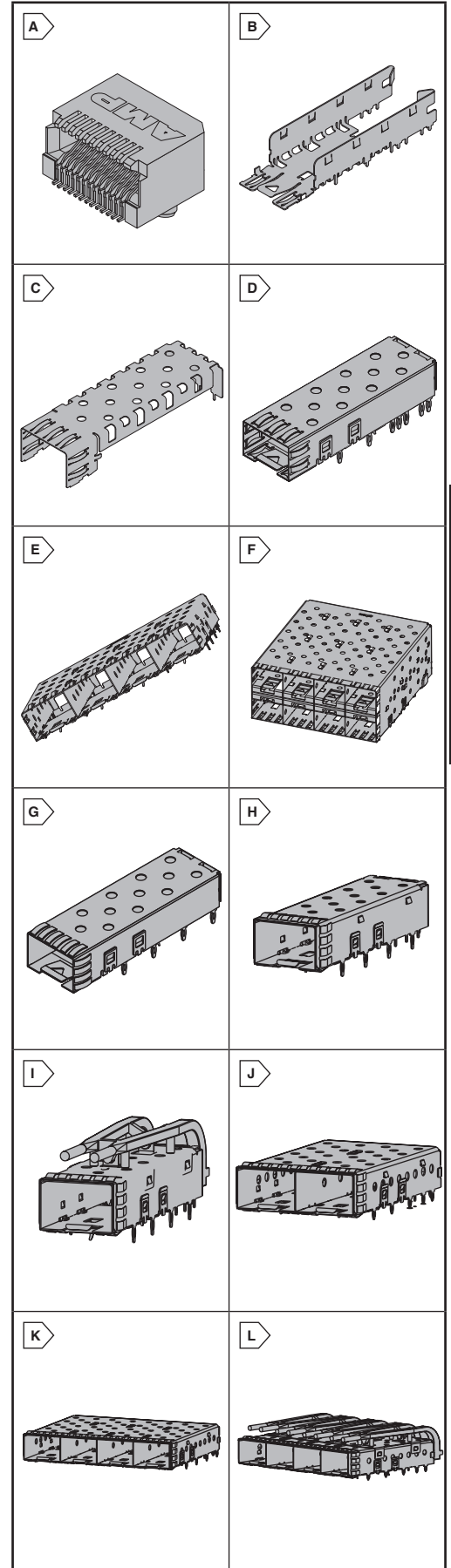
For quantities greater than listed, call for quote.

MOUSER STOCK NO.	TE Part No.	Fig.	Description	Price Each		
				1	5	10
Single Port Cages						
571-2007194-1	2007194-1	G	SFP Cage, PCI Version, Springs EMI Shielding, solder tail			
571-2007198-1	2007198-1	H	SFP Cage, Springs EMI Shielding			
571-2007254-1	2007254-1	I	SFP Cage, with lightpipes, Springs EMI Shielding			
Ganged Cages						
571-2007263-1	2007263-1	J	1x2, SFP Cage, Springs EMI Shielding			
571-2007135-1	2007135-1	K	1x4 SFP Cage, Gasket EMI Shielding			
571-2007132-1	2007132-1	K	1x4, SFP Cage, Springs EMI Shielding			
571-2007178-1	2007178-1	L	1x4, SFP Cage, with lightpipes, Springs EMI Shielding			
571-2007251-1	2007251-1	K	1x6 SFP Cage, Springs EMI Shielding			
SFP Connector						
571-1888247-2	1888247-2	A	20 pos, 15μ" gold			

SFP+ CABLE ASSEMBLIES


For quantities greater than listed, call for quote.

MOUSER STOCK NO.	TE Part No.	Fig.	Description	Price Each		
				1	5	10
571-2032237-1	2032237-1	-	Passive, 0.5M, 24 AWG			
571-2127934-4	2127934-4	-	Passive, 3M, 24 AWG			
571-2127934-6	2127934-6	-	Passive, 5M, 24 AWG			



Data/Network/Telecom

TE Connectivity

RoHS Compliant  This product is RoHS compliant.

CXP PLUGGABLE I/O INTERCONNECTS

Specifications:

- Connector signal integrity performance meets requirements of InfiniBand CXP specification
- Enhanced footprint (EF) offers superior isolation at the board termination
- Fully shielded and bezel gasket integrated for EMI containment
- Current rating: 0.5 amps max. per pin

Applications:

- Controller Cards and Servers
- Network Switches
- Routers
- Storage Devices
- Direct Attached Storage (DAS)
- Storage Attached Networks (SAN)
- Network Attached Storage (NAS)



CXP Receptacle Assemblies

For quantities greater than listed, call for quote.

MOUSER STOCK NO.	TE Part No.	Fig.	Height (mm)	Profile	Cover	Heat Sink	Light Pipe	Price Each			
								1	25	50	100
571-2149152-1	2149152-1	A	11.88	Standard	Yes	No	No				
571-2149159-3	2149159-3	B	16.37	Standard	No	Yes	Yes				
571-2149699-1	2149699-1	C	11.55	Belly-Belly (Standard)	Yes	No	No				
571-2149731-1	2149731-1	C	11.55	Belly-Belly (Extended)	Yes	No	No				

Cable Assembly

For quantities greater than listed, call for quote.

MOUSER STOCK NO.	TE Part No.	Length	Description	Price Each	
				1	5
571-2148039-1	2148039-1	1M	24Fiber C/A, 50/125µm OM2, MPO (f) -MPO (f)		

z-QUAD SMALL FORM-FACTOR PLUGGABLE PLUS (zQSFP+) CONNECTORS

Features:

- Backwards-compatible with QSFP optical modules and cable assemblies
- Enhanced EMI cage helps provide excellent thermal performance/EMI protection
- Staggered press-fit pins for belly-to-belly applications
- High-temperature, thermoplastic housing

Specifications:

- Current rating: 0.5 Amps maximum per pin
- Maximum Voltage Rating: 30 VDC
- Maximum Mating Force: 40N
- Durability (minimum): 250 cycles
- Operating Temperature: -20°C to +65°C



Connector

For quantities greater than listed, call for quote.

MOUSER STOCK NO.	TE Part No.	Fig.	Description	Price Each		
				1	100	500
571-1551920-2	1551920-2	D	zQSFP+ connector assembly			

Cages

For quantities greater than listed, call for quote.

MOUSER STOCK NO.	TE Part No.	Fig.	Description	Price Each		
				1	25	50
571-1551891-1	1551891-1	E	zQSFP+ 1x1 cage assembly behind bezel			
571-2173238-1	2173238-1	E	zQSFP+ 1x3 cage assembly behind bezel			
571-1551892-1	1551892-1	F	zQSFP+ 1x1 cage assembly behind bezel with heat sink			

QSFP+ CONNECTOR

An enhanced QSFP+ surface-mount connector that offers superior electrical performance for 40Gb/s InfiniBand and Ethernet (4x10Gb/s) standards applications. The 38 position connector meets the SFF-8436 industry standard - including the interface and host board layout.

Features:

- Improved performance in insertion loss, return loss and crosstalk
- Upgraded internal contact and housing structure for optimized signal integrity

For quantities greater than listed, call for quote.

MOUSER STOCK NO.	TE Part No.	Fig.	Description	Price Each		
				1	25	50
571-2110819-1	2110819-1	G	38P QSFP+ 10Gbps - Everclear			

QSFP SERIES CONNECTORS AND ACCESSORIES

Features:

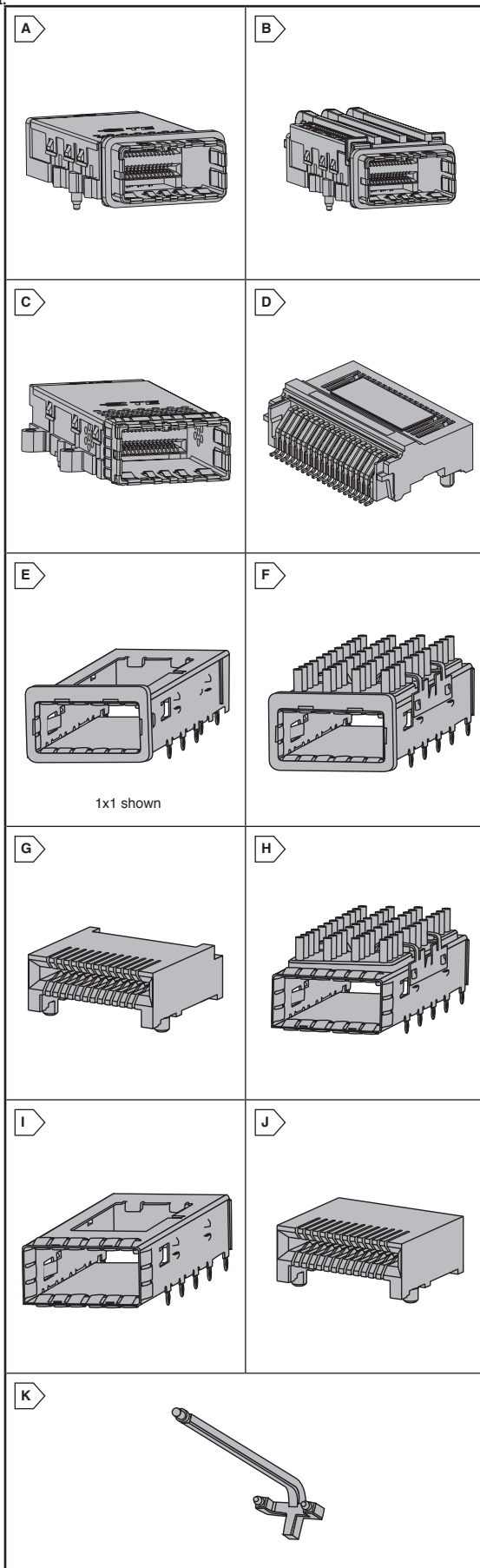
- 4 channels at 10Gb/s per channel
- Proven springs and gasket designs for EMI containment
- Single and dual lightpipes
- Riding heatsinks for thermal dissipation, various fin heights available
- Belly-to-belly compatible (double-sided PCB's)
- Press-fit termination
- Port-to port spacing-21.0mm (through-bezel)/23.5 (behind-bezel)

Applications:

- Switches
- Routers
- Host Bust Adapters (HBA's)
- Enterprise Storage
- High Speed, High Density I/O
- Multiple Channel Interconnects

For quantities greater than listed, call for quote.

MOUSER STOCK NO.	TE Part No.	Fig.	Description	Price Each		
				1	5	10
QSFP Cage Kits						
571-1888968-2	1888968-2	F	QSFP Cage kit with SAN heatsink, Behind-bezel mount			
571-1888968-3	1888968-3	F	QSFP Cage kit with Networking heatsink, Behind-bezel mount			
571-1888631-1	1888631-1	H	QSFP Cage kit with PCI heatsink, Through-bezel mount			
571-1888631-2	1888631-2	H	QSFP Cage kit with SAN heatsink, Through-bezel mount			
QSFP Cages						
571-1888781-1	1888781-1	E	QSFP Cage, Behind-bezel mount			
571-1888617-1	1888617-1	I	QSFP Cage, Through-bezel mount			
571-1888674-1	1888674-1	I	QSFP Cage, with lightpipe tab, Through-bezel mount			
QSFP Connector						
571-1761987-9	1761987-9	J	38 Position, EVERCLEAR, QSFP			
Light Pipe						
571-1888634-1	1888634-1	K	Single lightpipe			



Data/Network/Telecom

TE Connectivity

zSFP+ SMT CONNECTORS

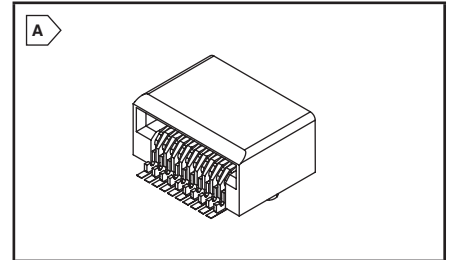
Features:

- Patent-pending preferential coupling design uses a narrow-edge, coupled blanked - and formed - contact geometry and insert molding
- High-temperature thermoplastic housing
- Backward compatible with SFP form factor
- Up to 40Gbps data rate performance
- Utilizes MSA-compliant footprint



For quantities greater than listed, call for quote.

MOUSER STOCK NO.	Molex Part No.	Fig.	Description	Price Each		
				1	10	100
538-170382-0001	170382-0001	A	ZXP zSFP+ Right Angle, SMT, 20 Circuits, 0.38μ" Au, Tin Tails			
538-170382-0002	170382-0002	A	ZXP zSFP+ Right Angle, SMT, 20 Circuits, 0.76μ" Au, Tin Tails			



SFP+ (SMALL FORM-FACTOR PLUGGABLE PLUS) CONNECTORS

SFP+ supports next generation speeds of standard SFP applications.



RoHS Compliant

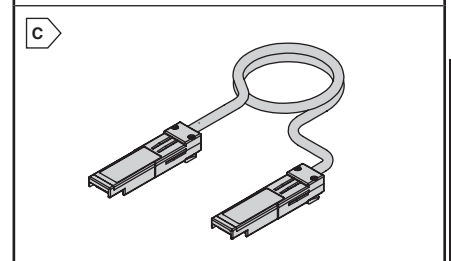
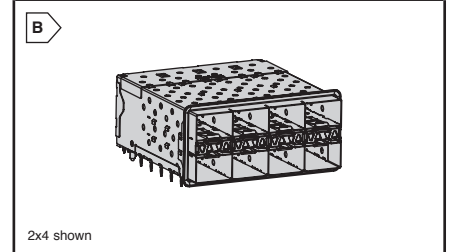
Features and Benefits:

Stacked Multi-Port Connectors (76044,76046,76090,76092):

- Capable of handling 10Gbps data rates
- Elastomeric or metal gasket options for EMI requirements
- Integrated lightpipes
- Press-fit termination
- Stacked cages available in 2-16 ports (see Mouser Sales Rep for more info)
- Passive Cable Assembly (74752):
 - Copper cable can handle speeds up to 10Gbps
 - Re-designed pull latch enables belly-to-belly cable use
 - Improved backshell design conforms to SFP-8431 spec
 - Backwards compatible with standard SFP

For quantities greater than listed, call for quote.

MOUSER STOCK NO.	Molex Part No.	Fig.	Description	Tail Plating	Price Each		
					1	5	10
SFP+ Stacked Multi-Port Connectors							
538-76090-5001	76090-5001	B	2x1 with lightpipes, elastomeric gasket	Tin			
538-76091-5001	76091-5001	B	2x2 with lightpipes, elastomeric gasket	Tin			
538-76092-5001	76092-5001	B	2x4 with lightpipes, elastomeric gasket	Tin			
538-76093-5001	76093-5001	B	2x5 with lightpipes, elastomeric gasket	Tin			
538-76094-5001	76094-5001	B	2x6 with lightpipes, elastomeric gasket	Tin			
SFP+ Passive Cable Assemblies							
538-74752-1101	74752-1101	C	1 meter, copper cable, 30awg	-			
538-74752-2301	74752-2301	C	3 meter, copper cable, 28awg	-			
538-74752-1301	74752-1301	C	3 meter, copper cable, 30awg	-			
538-74752-4501	74752-4501	C	5 meter, copper cable, 24awg	-			
538-74752-9004	74752-9004	C	10 meter, copper cable, 24awg	-			
SFP+ Adapters							
538-74765-0904	74765-0904	-	Loopback adapter, 5.0db	-			
538-74765-0906	74765-0906	-	Loopback adapter, 0.0db	-			



SFP (SMALL FORM-FACTOR PLUGGABLE) CONNECTORS

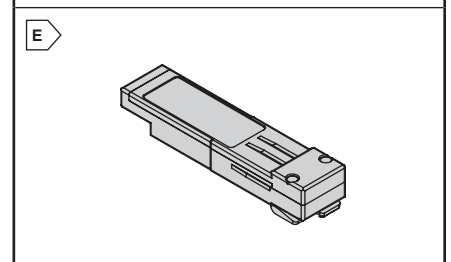
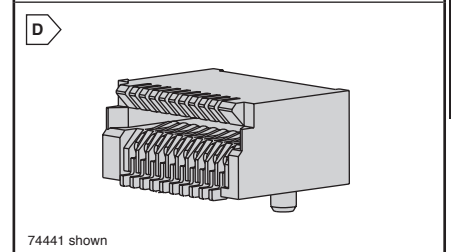
From single port cages and connectors to full integrated multi-port products with lightpipes, Molex offers a full range of solutions for the high port density SFP Applications.

Features and Benefits:

- Data rates up to 2.5Gbps
- All metal cage provides EMI protection
- User friendly latch design
- Single, ganged, or stacked cages
- Industry standard HSSDC2 interface

For quantities greater than listed, call for quote.

MOUSER STOCK NO.	Molex Part No.	Fig.	Description	Price Each		
				1	5	10
Receptacles						
538-74441-0001	74441-0001	D	SFP SMT recept, Right Angle, 20 pos, 15μ"Au			
538-74441-0010	74441-0010	D	SFP SMT recept, Right Angle, 20 pos, 30μ"Au			
538-74703-0007	74703-0007	D	HSSDC2 recept, R/A, 7 pos, InfiniBand keyed			
Plugs						
538-74720-0510	74720-0510	E	SFP EMI plug			
538-75951-0999	75951-0999	-	SFP dust plug			
Cages						
538-74737-0009	74737-0009	F	1 piece cage, press-fit tails			
538-74737-0010	74737-0010	F	1 piece cage, solder post tails			
538-74737-0016	74737-0016	F	1 piece cage, press-fit tails, for PCI applications			
538-73927-0402	73927-0402	F	1x4 ganged cage, solder post tails			
Adapters						
538-74720-0503	74720-0503	-	SFP Loopback adapter, 5.0dB attenuation			



XFP CONNECTORS (Z-AXIS PLUGGABLE SOLUTIONS)

XFP represents the new 10 Gigabit Small Form Factor Pluggable system of modules and interconnects that convert serial electrical signals to external serial optical or electrical signals. The components include an industry-standard pluggable module, cage hardware and IC interfaces. The technology is designed to support 10 Gigabit Fibre Channel, 10 Gigabit Ethernet and OC192/STM-64

Molex's 30-circuit XFP host connector enables the use of emerging gigabit-speed hot-pluggable transceiver modules for horizontal, front panel access. It conforms to the host-board layout as defined in the 10 Gigabit Small Form Factor Pluggable (XFP) Multi-source Agreement (MSA) for 10-Gigabit data rates.

Features and Benefits:

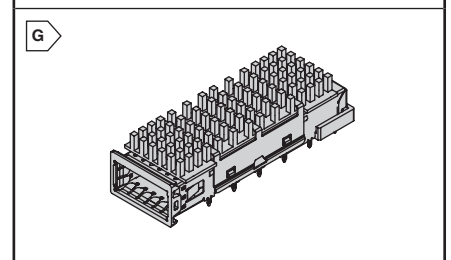
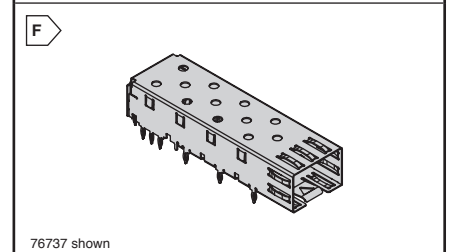
- Capable of handling 10Gbps data rates
- Universal transceiver design
- EMI protection



RoHS Compliant

For quantities greater than listed, call for quote.

MOUSER STOCK NO.	Molex Part No.	Fig.	Description	Price Each		
				1	25	50
XFP Host Receptacles						
538-74441-0017	74441-0017	C	0.80mm, 30P, R/A, SMT, 30μ" Au			
XFP Cage Assemblies						
538-74736-0220	74736-0220	G	Cage without heatsink or clip			
538-74736-0221	74736-0221	G	Cage with PCI heatsink			
538-74736-0223	74736-0223	G	Cage with TALL heatsink			
XFP Cage Accessories						
538-74736-0230	74736-0230	-	Heatsink Clip			
538-74736-0240	74736-0240	-	PCI Heatsink			
538-74736-0241	74736-0241	-	SAN Heatsink			



This product is RoHS compliant.

QSFP+ (QUAD SMALL FORM FACTOR PLUGGABLE PLUS) CONNECTORS

Molex's Quad Small Form-factor Pluggable (QSFP+) solution is designed for high-density applications.

Features:

- AOC Low Bit Error Rate (BER) of 10e-18 errors per link
- Initial data rates up to 5 Gbps per lane, scaling up to 10Gbps per lane
- One piece, press-fit cage
- Multiple ports
- Hot-pluggable transceiver
- 0.80mm pitch connector designed for placement under guide frame



RoHS Compliant

For quantities greater than listed, call for quote.

MOUSER STOCK NO.	Molex Part No.	Fig.	Description	Price Each	
				1	5
Connectors					
538-76871-0006	76871-0006	A	Assembly, Stacked 2 by 1 with Elastomer Gaskets and Light Pipes, Tin		
538-76870-0004	76870-0004	B	Assembly, Stacked 2 by 3 with Elastomer Gaskets and Light Pipes, Tin		
Cable Assemblies					
538-111040-2304	111040-2304	C	3 Meter, 28 awg		
538-111040-4704	111040-4704	C	7 Meter, 24 awg		
QSFP+ Active Optical Cables					
538-106410-1003	106410-1003	C	3 Meter, Ribbon Cable		
538-106410-1005	106410-1005	C	5 Meter, Ribbon Cable		

QSFP (QUAD SMALL FORM FACTOR PLUGGABLE) CONNECTORS

The QSFP connector, cage, cable assemblies and loopbacks are part of a highly-integrated system that combines optimal real estate, power and port density.

The QSFP Multi Source Agreement (MSA) document specifies a transceiver mechanical form factor with latching mechanism, host-board electrical edge connector and cage. The hot-pluggable transceiver integrates 4 transmit and 4 receive channels. Molex's QSFP transceiver can replace up to 4 standard SFP transceivers. The result is greater port density and overall system cost savings over traditional SFP products.

Features and Benefits:

- EMI shielding to bezel and transceiver
- Data rates up to 5Gbps per lane
- One piece press-fit cage
- SMT connector design
- Hot pluggable transceiver
- Zinc die-cast back shells on cable plug



RoHS Compliant

For quantities greater than listed, call for quote.

MOUSER STOCK NO.	Molex Part No.	Fig.	Description	Price Each		
				1	5	10
QSFP Host Receptacle						
538-75586-0011	75586-0011	D	0.80mm, 38P, R/A, SMT, 30µ" Au			
QSFP Cage						
538-74750-0021	74750-0021	E	Single port, EMI shield, press-fit, spring fingers			
QSFP Passive Cable Assemblies						
538-74757-2101	74757-2101	C	1 meter, 28 awg			
538-74757-3101	74757-3101	C	1 meter, 26 awg			
538-74757-2301	74757-2301	C	3 meter, 28 awg			
QSFP Adapters						
538-74763-0010	74763-0010	-	Loopback adapter, 0.0dB			
538-74763-0015	74763-0015	-	Loopback adapter, 5.0dB			
538-74763-0020	74763-0020	-	Loopback adapter, 0.0dB, 12C, 100 ohms			
538-74763-0025	74763-0025	-	Loopback adapter, 5.0dB, 12C, 100 ohms			

TRIAD™ DIFFERENTIAL PAIR CONNECTORS

Features and Benefits:

- Board Mount Receptacle (74960):
 - In-line SMT leads on 0.64mm (.025") pitch provide direct PCB routing
 - High cycle LFH shrouded contact system
- Cable Plug Connector (75000):
 - LFH contact design
 - Terminates to 24 to 32AWG
- Backshell Kit (75115):
 - Kit contains two-piece die cast shell and two jackscrews



RoHS Compliant

For quantities greater than listed, call for quote.

MOUSER STOCK NO.	Molex Part No.	Fig.	No. of Circuits	Description	Price Each		
					1	10	25
Receptacles							
538-76641-0001	76641-0001	F	18	1.27mm, Vertical, Through Hole, Press-fit pegs			
538-74960-3018	74960-3018	G	18	1.27mm, right angle, SMT, Press-fit pegs			
538-74960-3028	74960-3028	G	28	1.27mm, right angle, SMT, Press-fit pegs			
538-74960-3048	74960-3048	G	48	1.27mm, right angle, SMT, Press-fit pegs			
Plugs							
538-75000-1018	75000-1018	H	18	1.27mm plug, shielded			
538-75000-1028	75000-1028	H	28	1.27mm plug, shielded			
538-75000-1048	75000-1048	H	48	1.27mm plug, shielded			
538-75115-0018	75115-0018	I	18	Plug backshell kit, black, 4-40 jackscrews			
538-75115-0028	75115-0028	I	28	Plug backshell kit, black, 4-40 jackscrews			
538-75115-0048	75115-0048	I	48	Plug backshell kit, black, 4-40 jackscrews			

INFINIBAND CONNECTORS AND CABLES (LANELINK™)

The InfiniBand architecture is an approach to I/O technology that was created by industry's top computer manufacturers to address the need for greater scalability, reliability, availability and performance in and around servers.

Molex's LaneLink™ 4 lane and 12 lane I/O connectors and cable assemblies incorporate an industry compatible interface compliant with Infiniband requirements.

Features and Benefits:

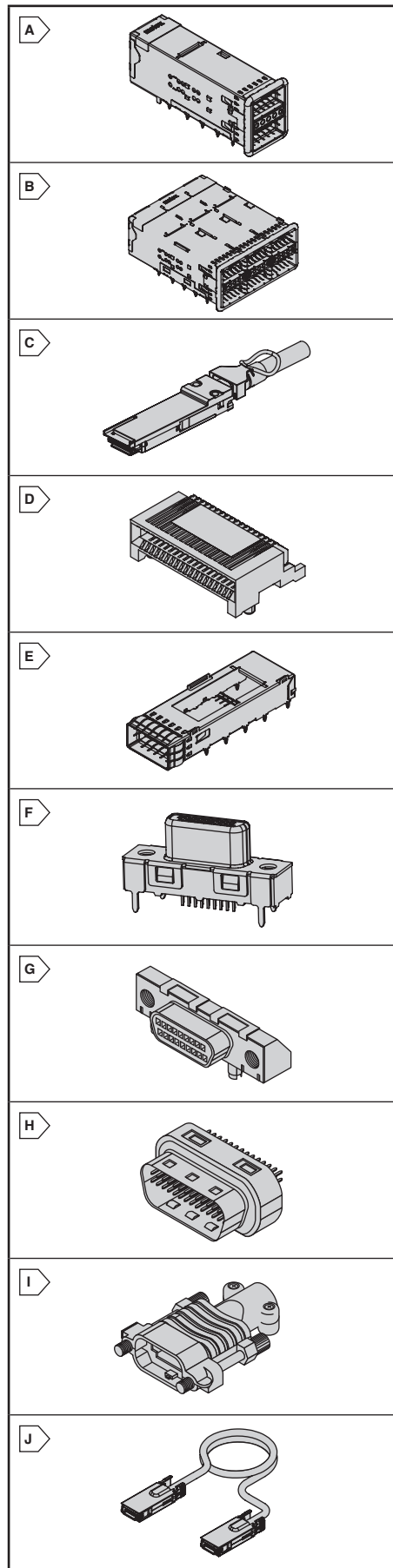
- Cable Assembly:
 - Squeeze-to-release latch provides positive latch/unlatch
 - Diecast backshell provides EMI protection
 - 100% testing to InfiniBand industry standard



RoHS Compliant

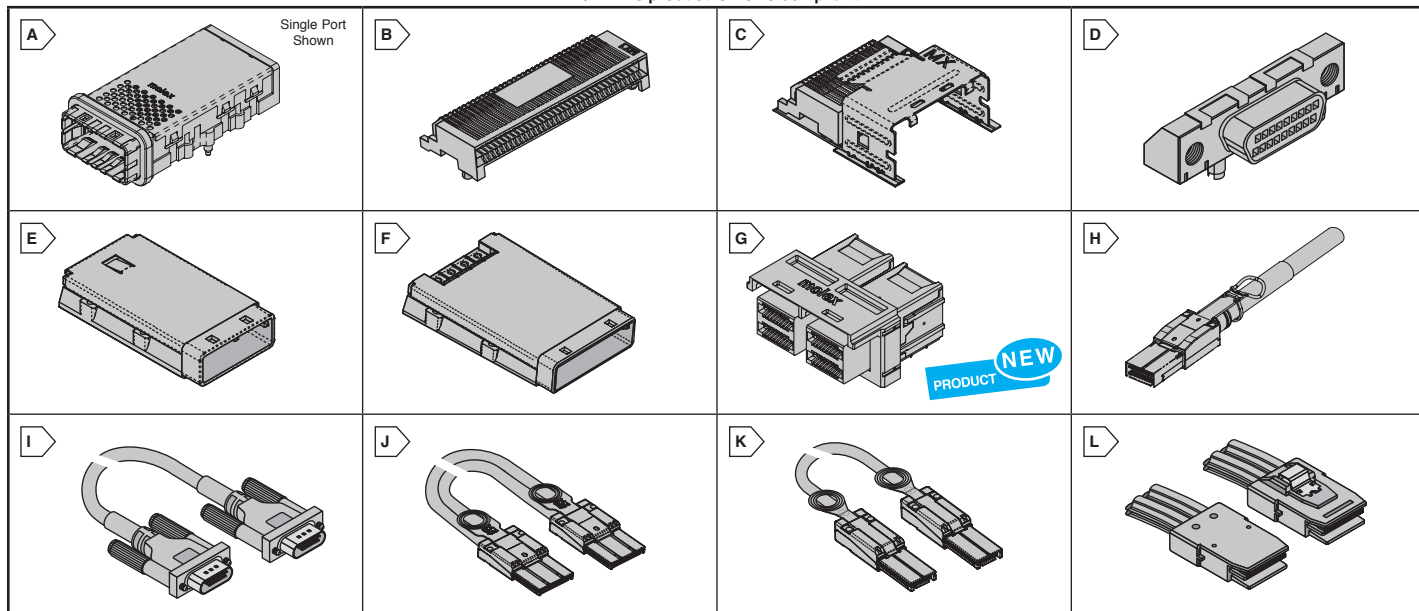
For quantities greater than listed, call for quote.

MOUSER STOCK NO.	Molex Part No.	Fig.	Description	Price Each		
				1	5	10
Cable Assemblies						
538-74506-3001	74506-3001	J	0.50mm, 4X, 28 AWG, 0.50 meter			
538-74506-3002	74506-3002	J	0.50mm, 4X, 28 AWG, 1 meter			
538-74506-3003	74506-3003	J	0.50mm, 4X, 28 AWG, 3 meter			



MOLEX iPass™ and iPass+™ Connectors

RoHS Compliant This product is RoHS compliant.



iPass™ CONNECTORS

iPass+™ CXP (Series 76105 and 76024): iPass+™ CXP enables 12 channels of 10-Gbps data, for up to 120Gbps of total bandwidth. This new technology results in one of the fastest and highest density I/O's in the market.
External iPass Connectors (Series 75586): The SMT design provides placement options on both sides of the PCB, as well as placements stability. Standoffs allow for easy PCB cleaning after soldering.
iPass+™ CXP (Series 170465): Enhanced footprint connectors transmit signals over 10 lanes for up to 100 Gbps, meeting the new industry-leading 100 Gigabit Ethernet specification
Internal iPass Connectors (Series 75783): These 0.80mm (.031") pitch connectors include hood kits for internal applications. Acting as a disposable pick-and-place cap, the pre-positioning device aligns the connector to the hood during robotic placement. It offers 3 keying options.

For quantities greater than listed, call for quote.

MOUSER STOCK NO.	Molex Part No.	Fig.	No. of Pos.	Contact Plating	Pitch	Description	Price Each	
							1	5
iPass+™ CXP Pluggable - External Applications								
538-170465-0002	170465-0002	A	84	30µ" Gold	0.8mm (.031")	Single Port, Press-Fit, RA integrated cage and connector assembly, 100 Gigabit Ethernet		
538-76024-0568	76024-0568	A	84/84	30µ" Gold	0.8mm (.031")	Dual port stacked, Press-fit, RA integrated cage and connector		
iPass™ External Applications								
538-75586-0009	75586-0009	B	26	30µ" Gold	0.8mm (.031")	SMT, Right-Angle Receptacle		
538-75586-0011	75586-0011	B	38	30µ" Gold	0.8mm (.031")	SMT, Right-Angle Receptacle		
538-75586-0007	75586-0007	B	68	30µ" Gold	0.8mm (.031")	SMT, Right-Angle Receptacle		
538-75586-0004	75586-0004	B	26	15µ" Gold	0.8mm (.031")	SMT, Right-Angle Receptacle		
538-75586-0010	75586-0010	B	38	15µ" Gold	0.8mm (.031")	SMT, Right-Angle Receptacle		
iPass™ Internal Applications								
538-75783-0132	75783-0132	C	36	15µ" Gold	0.8mm (.031")	SMT, R/A Receptacle and Thru-hole Hood Kit for Internal Applications, Universal Key, 1.57mm tail		
538-75783-0140	75783-0140	C	36	15µ" Gold	0.8mm (.031")	SMT, R/A Receptacle and Thru-hole Hood Kit for Internal Applications, Universal Key, 2.79mm tail		
538-74960-3018	74960-3018	D	18	15µ" Gold	1.27mm (.050")	1X SMT, Right-Angle Receptacle for Internal Applications		

iPass™ GUIDE FRAMES

The guide from gasket delivers improved EMI performance and the die cast frame provides a robust cable-to-chassis interface. It also features a screw attachment to the PCB, offering a durable I/O connection for large cable bundles during the cable management process.

For quantities greater than listed, call for quote.

MOUSER STOCK NO.	Molex Part No.	Fig.	Description				Price Each	
			1	5				
538-74548-0211	74548-0211	E	Universal 1X Cage, 0 Degree Standard Host Card, Port Keying 4					
538-74548-0111	74548-0111	E	Universal 1X Cage, 1 Degree PCI Slot Card, Port Keying 4					
538-74540-0400	74540-0400	F	4X PCIe Cage, 1 Degree PCI Slot Card					
538-74540-0100	74540-0100	F	8X PCIe Cage, 1 Degree PCI Slot Card					

iPass+™ CONNECTOR

For quantities greater than listed, call for quote.

538-76867-0012	76867-0012	G	HD Internal Cable and Connector Assembly, 1x2, 0.76µm					
--------------------------------	------------	---	---	--	--	--	--	--

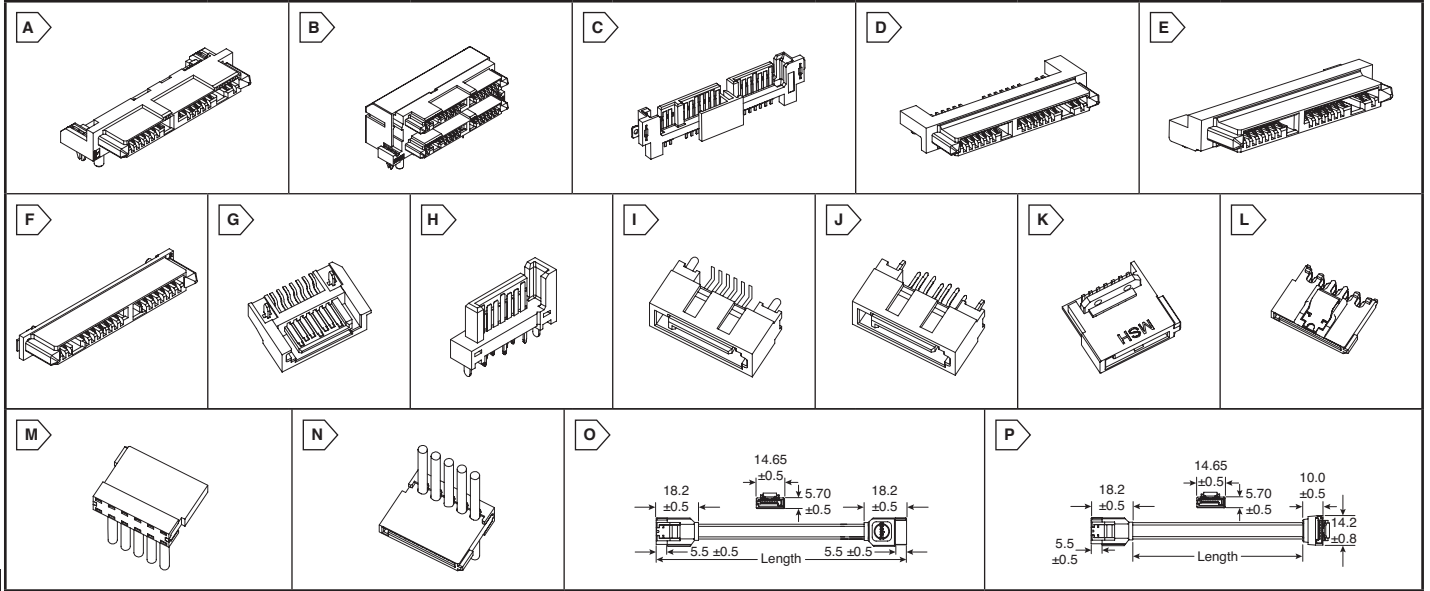
iPass+™ & iPass™ CABLE ASSEMBLIES

For quantities greater than listed, call for quote.

MOUSER STOCK NO.	Molex Part No.	Fig.	No. of Pos.	Contact Plating	Pitch	Standard	Description	Price Each	
								1	5
iPass+™ CXP Pluggable - External Applications									
538-111025-1201	111025-1201	H	84	Gold over Nickel	0.8mm (.031")	QDR Infiniband	12X QDR, up to 120Gbps, 1M (3.3ft.)		
iPass™ External Applications									
538-74576-0001	74576-0001	I	18	15µ" Gold	.64mm (.025")	PCI Express	1X Cable, 28 AWG, 1M (3.3ft.)		
538-74546-0401	74546-0401	J	38	Gold over Nickel	.8mm (.031")	PCI Express	4X Cable, 28 AWG, 1M (3.3ft.)		
538-74546-0801	74546-0801	J	68	Gold over Nickel	.8mm (.031")	PCI Express	8X Cable, 28 AWG, 1M (3.3ft.)		
538-74546-1601	74546-1601	J	136	Gold over Nickel	.8mm (.031")	PCI Express	16X Cable, 28 AWG, 1M (3.3ft.)		
538-74547-0120	74547-0120	K	26	Gold over Nickel	.8mm (.031")	Mini-SAS	4X Cable, 28 AWG, 1M (3.3ft.) 2, 4 and 6 Keyed		
538-74547-0301	74547-0301	K	26	Gold over Nickel	.8mm (.031")	Mini-SAS	4X Cable, 28 AWG, 1M (3.3ft.) 2, 4 and 6 Keyed		
iPass™ Internal Applications									
538-79576-2105	79576-2105	L	36	Gold over Nickel	.8mm (.031")	Mini-SAS	4X Cable, Controller to Backplane with Sidebands, 30 AWG, 1M		
538-79576-2104	79576-2104	L	36	Gold over Nickel	.8mm (.031")	Mini-SAS	4X Cable, Controller to Backplane with Sidebands, 28 AWG, 1M		
538-79576-2114	79576-2114	L	36	Gold over Nickel	.8mm (.031")	Mini-SAS	4X Cable, Controller to Controller with Sidebands, 28 AWG, 1M		

MOLEX Micro SAS Serial ATA Connectors

RoHS Compliant This product is RoHS compliant.



MICRO SAS CONNECTORS

DIMENSIONS: mm

Features:

- Micro SAS connectors feature small connector footprint and offer greater PCB real estate saving
- Satisfies SAS 2.0 Specifications that enables fast data rates of up to 6Gbps
- Application of Micro SAS Plug in 1.8" form factor drives (SSD or HDD)
- 100% backward compatible with Molex Micro Serial ATA and is interchangeable with Micro Serial ATA parts that have a mid-rib in the connector housing
- Keying features and guide rails on connectors prevent mis-mating of parts and ensure smooth entry of Plugs to Receptacles



RoHS Compliant

For quantities greater than listed, call for quote.

MOUSER STOCK NO.	Molex Part No.	Fig.	No. of Pos.	Contact Plating	Description	Price Each		
						1	10	25
538-78395-0001	78395-0001	A	25	30µ" Gold	Right Angle, SMT			
538-78495-0001	78495-0001	B	50	30µ" Gold	Dual-stacked, through hole, Right Angle			

MICRO-SATA CONNECTORS



RoHS Compliant

For quantities greater than listed, call for quote.

Features:

- Staggered contact lengths for First-Mate-Last-Break
- Guide pocket for plug and guide post for receptacle
- Power segment key
- Prevents insertion for non-micro SATA power cables
- LCP UL94V0 housing
- Allows blind mating

MOUSER STOCK NO.	Molex Part No.	Fig.	No. of Pos.	Style	Contact Plating	Pitch	Description	Price Each		
								1	10	25
Plugs										
538-78285-0001	78285-0001	C	7S+9P	Right Angle	Gold	1.27mm (.050")	SMT for 1.8" Solid State Drive			
Receptacles										
538-78109-0001	78109-0001	D	7S+9P	Right Angle	Gold	1.27mm (.050")	SMT for 1.8" Hard Disk Drive			
538-78320-0001	78320-0001	E	7S+9P	Right Angle	Gold	1.27mm (.050")	SMT for 1.8" Solid State Drive			
538-78492-0001	78492-0001	F	7S+9P	Vertical	Gold	1.27mm (.050")	SMT for 1.8" Solid State Drive/HardDisk Drive			

SERIAL ATA CONNECTORS



RoHS Compliant

For quantities greater than listed, call for quote.

Features:

- First-mate/last-break contacts support hot plugging
- Lead-free product
- Specifications:
- Current: 1.5A max.
- Voltage: 15V max.
- Withstanding Voltage: 500V AC

MOUSER STOCK NO.	Molex Part No.	Fig.	No. of Pos.	Style	Contact Plating	Pitch	Description	Price Each		
								1	10	25
Mates with 67489 Series										
538-47080-4005	47080-4005	G	7	Right-Angle	15µ" Gold	1.27mm (.050")	SMT Signal Plug, Peg and Locking Latch with solder tab			
538-67490-1225	67490-1225	G	7	Right-Angle	15µ" Gold	1.27mm (.050")	SMT Signal Plug, Peg and Locking Latch with beveled metal pin			
538-67491-0022	67491-0022	H	7	Vertical	15µ" Gold	1.27mm (.050")	Thru-Hole High Speed Header, 2.05mm PC Tail Length, thermal plastic			
538-67491-1032	67491-1032	H	7	Vertical	15µ" Gold	1.27mm (.050")	Thru-Hole High Speed Header, 2.05mm PC Tail Length			
538-67800-5005	67800-5005	I	7	Vertical	15µ" Gold	1.27mm (.050")	SMT High Speed Header, PCB Locator Pegs			
538-67800-8005	67800-8005	J	7	Vertical	15µ" Gold	1.27mm (.050")	Thru-Hole High Speed Header, 2.45mm PC Tail Length			
Mates with 47080, 67490, 67491, 67800 Series										
538-67489-8005	67489-8005	K	7	Vertical	15µ" Gold	1.27mm (.050")	Signal Connector without Latch			
Use with 67926-0040 and 67926-0041: 18 AWG Wire Size										
538-67926-0001	67926-0001	L	5	Right-Angle	Gold Flash	3.81mm (.150")	IDT Power Receptacle with Latch, without Bump			
538-67926-0011	67926-0011	L	5	Right-Angle	Gold Flash	3.81mm (.150")	IDT Power Receptacle with Bump, without Latch			
Covers										
538-67926-0040	67926-0040	M	5	---	---	---	Cover for Serial ATA IDT Power Receptacle, Feed-To Type			
538-67926-0041	67926-0041	N	5	---	---	---	Cover for Serial ATA IDT Power Receptacle, Feed-Through Type			

SERIAL ATA CABLE ASSEMBLIES

Locking latches for signal cables have recently been approved by the Serial ATA Working Group. Positive locking latches ensure cables will stay connected.

Features:

- High speed data transfer Generation 2 (300 MBps)
- Device can be hot swapped without shutting down or restarting the system
- Plug and Play under Windows® 98 Second Edition, Windows® Me, Windows® 2000 and Windows® XP
- Built-in RAID support
- User-friendly latch provides secure mating

Specifications:

- Wire Size: 26 AWG
- Contact: Copper (Cu) Alloy
- Plating Contact: 0.76µm (30µ") Gold (Au)
- Color: Red
- Current: 1.5A max.
- Voltage: 40V max.



RoHS Compliant

For quantities greater than listed, call for quote.

MOUSER STOCK NO.	Molex Part No.	Fig.	Length m (ft)	Pitch	Description	Price Each		
						1	10	25
538-68561-0014	68561-0014	O	.5 (1.64)	1.27mm (.050")	Serial ATA Straight Latching to Straight Latching Signal Cable			
538-68561-0015	68561-0015	O	1 (3.28)	1.27mm (.050")	Serial ATA Straight Latching to Straight Latching Signal Cable			
538-68561-0016	68561-0016	P	.5 (1.64)	1.27mm (.050")	Serial ATA Straight Latching to Right Angle Latching Signal Cable			
538-68561-0017	68561-0017	P	1 (3.28)	1.27mm (.050")	Serial ATA Straight Latching to Right Angle Latching Signal Cable			

HARTING Connectors



Pushing Performance

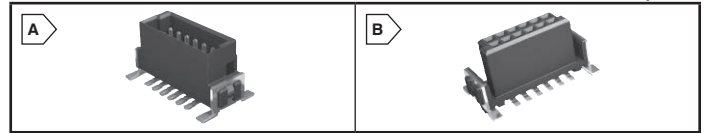
HAR-FLEX® STRAIGHT PCB CONNECTORS

Features:

- Optimized utilization of PCB real estate due to flexibility in choice of contact count
- High contact density for reduced footprint
- Robust design
- Suitability for automated processing
- Flexible PCB clearances



RoHS Compliant



For quantities greater than listed, call for quote.

MOUSER STOCK NO.	HARTING Part No.	Fig.	No. of Pos.	Price Each			
				1	50	100	250
Male 1.75 Stack Height							
617-15110062601000	15 11 006 2601 000	A	6				
617-15110122601000	15 11 012 2601 000	A	12				
617-15110162601000	15 11 016 2601 000	A	16				
617-15110202601000	15 11 020 2601 000	A	20				
617-15110262601000	15 11 026 2601 000	A	26				
617-15110322601000	15 11 032 2601 000	A	32				
617-15110402601000	15 11 040 2601 000	A	40				
617-15110502601000	15 11 050 2601 000	A	50				
617-15110682601000	15 11 068 2601 000	A	68				
617-15110802601000	15 11 080 2601 000	A	80				
617-15111002601000	15 11 100 2601 000	A	100				
Male 3.25 Stack Height							
617-15120062601000	15 12 006 2601 000	A	6				
617-15120122601000	15 12 012 2601 000	A	12				
617-15120162601000	15 12 016 2601 000	A	16				
617-15120202601000	15 12 020 2601 000	A	20				
617-15120262601000	15 12 026 2601 000	A	26				
617-15120322601000	15 12 032 2601 000	A	32				
617-15120402601000	15 12 040 2601 000	A	40				
617-15120502601000	15 12 050 2601 000	A	50				
617-15120682601000	15 12 068 2601 000	A	68				
617-15120802601000	15 12 080 2601 000	A	80				
617-15121002601000	15 12 100 2601 000	A	100				

For quantities greater than listed, call for quote.

MOUSER STOCK NO.	HARTING Part No.	Fig.	No. of Pos.	Price Each			
				1	50	100	250
Female 6.25 Stack Height							
617-15210062601000	15 21 006 2601 000	B	6				
617-15210122601000	15 21 012 2601 000	B	12				
617-15210162601000	15 21 016 2601 000	B	16				
617-15210202601000	15 21 020 2601 000	B	20				
617-15210262601000	15 21 026 2601 000	B	26				
617-15210322601000	15 21 032 2601 000	B	32				
617-15210402601000	15 21 040 2601 000	B	40				
617-15210502601000	15 21 050 2601 000	B	50				
617-15210682601000	15 21 068 2601 000	B	68				
617-15210802601000	15 21 080 2601 000	B	80				
617-15211002601000	15 21 100 2601 000	B	100				
Female 9.05 Stack Height							
617-15220062601000	15 22 006 2601 000	B	6				
617-15220122601000	15 22 012 2601 000	B	12				
617-15220162601000	15 22 016 2601 000	B	16				
617-15220202601000	15 22 020 2601 000	B	20				
617-15220262601000	15 22 026 2601 000	B	26				
617-15220322601000	15 22 032 2601 000	B	32				
617-15220402601000	15 22 040 2601 000	B	40				
617-15220502601000	15 22 050 2601 000	B	50				
617-15220682601000	15 22 068 2601 000	B	68				
617-15220802601000	15 22 080 2601 000	B	80				
617-15221002601000	15 22 100 2601 000	B	100				

ADVANCEDMC™ CONNECTORS FOR MICROTCA™ (μTCA™)

MicroTCA™ is an open industry standard developed by the PCI Industrial Computer Manufacturers Group (PICMG). In a MicroTCA™ system, AdvancedMC™ modules are plugged directly into a backplane and not into a carrier board. As a result MicroTCA™ system shelves are smaller and cheaper than AdvancedTCA® systems, yet powerful enough to address the needs of telecom, enterprise and medical applications.

Features:

- Differential pins are isolated by the distance between signal and ground pins, resulting in low cross talk and excellent high speed performance
- Design according to: PICMG MicroTCA.0
- HARTING con:card+® technology for significant increase in connector reliability

For quantities greater than listed, call for quote.

MOUSER STOCK NO.	HARTING Part No.	Fig.	No. of Contacts	Pin Length (mm)	Description	Price Each		
						1	10	25
617-16-11-170-5202	16 11 170 5202 000	A	170	2.1	Card edge, straight			

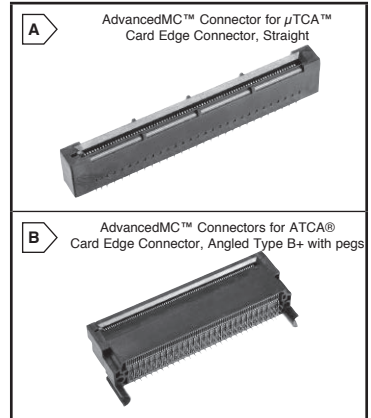
AdvancedMC™ Connector for AdvancedTCA™ (ATCA™)

Advanced Telecommunications Computing Architecture (AdvancedTCA™) is an open industry standard developed by the PCI Industrial Computer Manufacturers Group (PICMG). Defined by PICMG 3.0, the AdvancedTCA® series of specifications targets the requirements of the next generation of carrier grade telecommunications equipment. To extend the functionality and modularity of AdvancedTCA® carrier boards, PICMG developed the Advanced Mezzanine Card (AdvancedMC™) standard AMC.0.

Features:

- Superior transmission performance at high data transmission speeds designed to minimize interferences from cross talk and reflections
- Design according to: PICMG AMC.0

617-16-04-170-5106	16 04 170 5106 000	B	170	2.0	Card edge, angled type B+ with peg			
--------------------	--------------------	---	-----	-----	------------------------------------	--	--	--



HAR-MIK® SCSI (SMALL COMPUTER SYSTEM INTERFACE) I/O CONNECTORS

Features:

- Meets SCSI-3 Specifications
- Pin and Socket
- Pitch: 1.27mm
- Current rating: 1A
- Contact resistance: ≤ 30mΩ
- Temperature Range: -55°C - +105°C
- Contacts: Copper Alloy
- Moldings: Thermoplastic resin, glass fiber filled - UL94V-0



SCSI Female PCB Connectors

For quantities greater than listed, call for quote.

MOUSER STOCK NO.	HARTING Part No.	Fig.	No. of Contacts	Term.	Pin Length (mm)	Description	Price Each			
							1	10	25	50
Straight										
617-60-01-050-5102	60 01 050 5102	A	50	Solder Pins	3.4	with latch system				
617-60-01-068-5102	60 01 068 5102	A	68	Solder Pins	3.4	with latch system				
Right Angle										
617-60-01-050-5140	60 01 050 5140	A	50	Solder Pins	3.4	with latch system				
617-60-01-068-5140	60 01 068 5140	A	68	Solder Pins	3.4	with latch system				

SCSI IDC Cable Mount Connectors

For quantities greater than listed, call for quote.

MOUSER STOCK NO.	HARTING Part No.	Fig.	No. of Contacts	Description	Price Each			
					1	10	25	50
Male								
617-60-03-050-5200	60 03 050 5200	B	50	for discrete wire 28/30 AWG				
* 617-60030685205	60 03 068 5205	B	68	for discrete wire 28/30 AWG				
† 617-60030685215	60 03 068 5215	B	68	for discrete wire 28/30 AWG				
617-60-06-050-5440	60 06 050 5440	B	50	for flat cable, .635mm, 30 AWG				
617-60-06-068-5440	60 06 068 5440	B	68	for flat cable, .635mm, 30 AWG				
Female								
617-60-04-050-5343	60 04 050 5343	B	50	for flat cable with latch system, .635mm				
617-60-04-068-5343	60 04 068 5343	B	68	for flat cable with latch system, .635mm				
617-60-04-068-5344	60 04 068 5344	B	68	for flat cable w/ screw lock system, .635mm				

* with 0.50-0.65mm diameter insulation † with 0.65-0.80mm diameter insulation

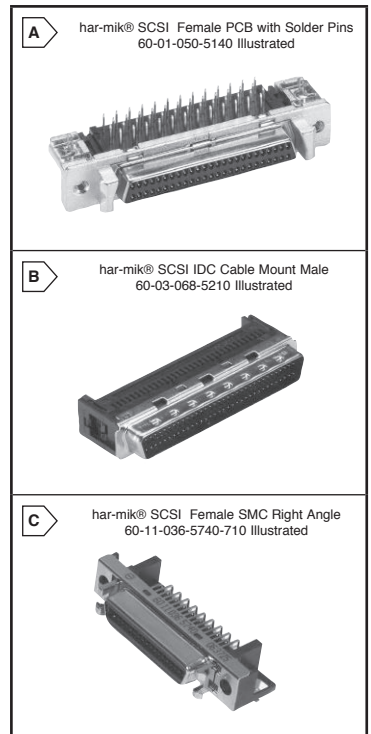
SCSI Female SMC Right Angle Connectors

617-60110145740710	60110145740710	C	14	Bellow contacts with fixed latch				
--------------------	----------------	---	----	----------------------------------	--	--	--	--

Hoods

For quantities greater than listed, call for quote.

617-60-03-050-0255	60 03 050 0255	-	50	Metal hood with latch				
617-60-03-068-0255	60 03 068 0255	-	68	Metal hood with latch				



RoHS Compliant This product is RoHS compliant.

USB WITH POSITIVE LOCKING: LUSB SERIES

The design of Amphenol's USB, Series A with this unique latching mechanism has been developed to address the major concern of unintentional interruption of data transmission. The latch must be intentionally raised in order to remove the plug. An accidental pull on the cable up to 22 lbs force will not separate connectors.

Features:

- Current Rating: 1.5 Amps
- Dielectric Withstanding Voltage: 500VAC
- Operating Temperature: -40°C to +85°C
- Meets military shock and vibration levels
- Locking tab: Stainless Steel
- Contact Plating: 30µ" Gold over nickel
- Housing: UL94V-0 Black

Applications:

- Industrial
- Mobile Communication
- Automotive



For quantities greater than listed, call for quote.

MOUSER STOCK NO.	Amphenol Part No.	Fig.	Description	Price Each			
				1	10	25	100
523-LUSBA11100	LUSBA11100	A	USB Receptacle, Single, Type A with Positive Locking				

HARSH ENVIRONMENT USB CONNECTORS: MUSB SERIES

Amphenol's MUSB series represents a unique and innovative USB connector design. This design provides the ideal solution for data transfer in harsh or demanding environments against physical and environmental conditions. These connectors are underwater submersible rather than just water resistant in both mated and unmated conditions. They are absolutely unshaken by hostile environmental elements.

Features:

- IP67 sealed in mated and unmated conditions
- Meets military shock and vibration levels
- Shell: Metal die cast
- Finish: Nickel
- Housing: UL94V-0 Black
- Rear shielded
- Contact Plating: 30µ" Gold
- Number of Contacts: 4 per port
- Current Rating: 1.5 Amps
- Voltage Rating: 100 VDC @ -25°C to +85°C
- Dielectric Withstanding Voltage: 500VAC, RMS, 60Hz 1 minute
- Operating Temperature: -40°C to +105°C



For quantities greater than listed, call for quote.

MOUSER STOCK NO.	Amphenol Part No.	Fig.	No. of Contacts Per Port	No. of Ports	Description	Price Each			
						1	10	25	50
USB Receptacles									
523-MUSB-A111-30	MUSB-A111-30	B	4	1	Type A Right Angle PCB Mount				
523-MUSB-A211-30	MUSB-A211-30	C	4	1	Type A Right Angle PCB Mount with Cable Header				
523-MUSB-A311-30	MUSB-A311-30	D	4	1	Type A Right Angle PCB Mount with USB Termination				
523-MUSB-C111-30	MUSB-C111-30	E	4	2	Type A Right Angle Stacked PCB Mount				
523-MUSB-C211-30	MUSB-C211-30	F	4	2	Type A Right Angle Stacked PCB Mount w/Cable Header				
523-MUSB-C311-30	MUSB-C311-30	G	4	2	Type A Right Angle Stacked PCB Mount w/USB Termination				
523-MUSB-A511-00	MUSB-A511-00	H	4	1	Type A Vertical PCB Mount				
523-MUSB-C511-00	MUSBC51100	I	4	2	Type A Vertical Stacked PCB Mount				
523-MUSBD11130	MUSBD11130	J	5	1	Type B Right Angle PCB Mount				
523-MUSB-D111-31	MUSB-D111-31	K	5	1	Type B Right Angle PCB Mount with Gray Dust Cover				
523-MUSB-D511-00	MUSBD51100	L	5	1	Type B Vertical PCB Mount				
Mini USB Receptacles									
523-MUSB-B151-34	MUSBB15134	J	5	1	Type B Right Angle PCB Mount				
523-MUSB-B551-04	MUSBB55104	L	5	1	Type B Vertical PCB Mount				
523-MUSBE15134	MUSBE15134	M	5	1	Type AB Right Angle PCB Mount				
Micro USB									
523-MUSB-K152-30	MUSB-K152-30	M	5	1	Type AB Right Angle PCB Mount				

Accessories

For quantities greater than listed, call for quote.

MOUSER STOCK NO.	Amphenol Part No.	Description	Price Each			
			1	10	25	50
523-MUSB2A111014BP	MUSB2A111014BP	Rugged Dust Cover, Type A, Gray				
523-MUSB2A111024BP	MUSB2A111024BP	Rugged Dust Cover, Type A, Mini USB, Black				
523-MUSB2D11004BP	MUSB2D11004BP	Rugged Dust Cover, Type B, Gray				
523-MUSB2E151005BP	MUSB2E151005BP	Rugged Dust Cover, Type B, Mini USB, Gray				

HARSH ENVIRONMENT MODULAR JACK CONNECTORS: MRJ SERIES

Amphenol's MRJ series represents a unique and innovative RJ connector design. This design provides the ideal solution for network data transfer in harsh and demanding environmental conditions. These connectors are underwater submersible rather than just water resistant in both mated and unmated conditions. They are absolutely unshaken by hostile environmental elements.

Features:

- Cat 5 ethernet performance
- IP67 sealed in mated and unmated conditions
- Meets military shock and vibration levels
- Available with optional integrated LEDs
- Shell: Metal die cast
- Will not allow RJ11 to enter
- Finish: Nickel
- Housing: UL94V-0 Black
- Contact Plating: 30µ" Gold
- Number of Contacts: 8
- Contact tail length: .100"
- Current Rating: 1.5 Amps
- Voltage Rating: 100 VDC @ -25°C to +85°C
- Dielectric Withstanding Voltage: 500VAC, RMS, 60Hz 1 minute
- Operating Temperature: -40°C to +105°C



For quantities greater than listed, call for quote.

MOUSER STOCK NO.	Amphenol Part No.	Fig.	Description	Price Each			
				1	10	25	100
523-MRJJ-5380-01	MRJ-5380-01	N	RJ45 PCB Receptacle, Right Angle, no LEDs				
523-MRJJ-5381-01	MRJ-5381-01	N	RJ45 PCB Receptacle, Right Angle, Yellow/Green LEDs				
523-MRJJ-5385-01	MRJ-5385-01	N	RJ45 PCB Receptacle, Right Angle, Green/Green LEDs				
523-MRJJ-5480-01	MRJ548001	N	RJ45 PCB Receptacle, Vertical, no LEDs				
523-MRJJ548101	MRJ548101	N	RJ45 PCB Receptacle, Vertical, Yellow/Green LEDs				
523-MRJJ-5485-01	MRJ548501	N	RJ45 PCB Receptacle, Vertical, Yellow/Green LED's				
523-MRJJ-5580-01	MRJ-5580-01	O	RJ45 PCB Receptacle, Right Angle, with Cable Header, no LEDs				
523-MRJJ-5780-01	MRJ-5780-01	P	RJ45 PCB Receptacle, Right Angle, w/RJ45 Termination, no LEDs				

Accessories

523-MRJJ-2586-10BP	MRJ258610BP	-	Rugged RJ45 Dust Cover				
523-MRJJ-258E-11-BP	MRJ-258E-11-BP	-	Rugged RJ45 Boot-Plug				

ENVIRONMENTALLY SEALED D-SUB CONNECTORS: MDB SERIES

The Rugged MDB series offers cost efficient environmentally sealed D-Sub connectors with screw machine contacts and high performance thermoplastic or metal die cast shells.

Features:

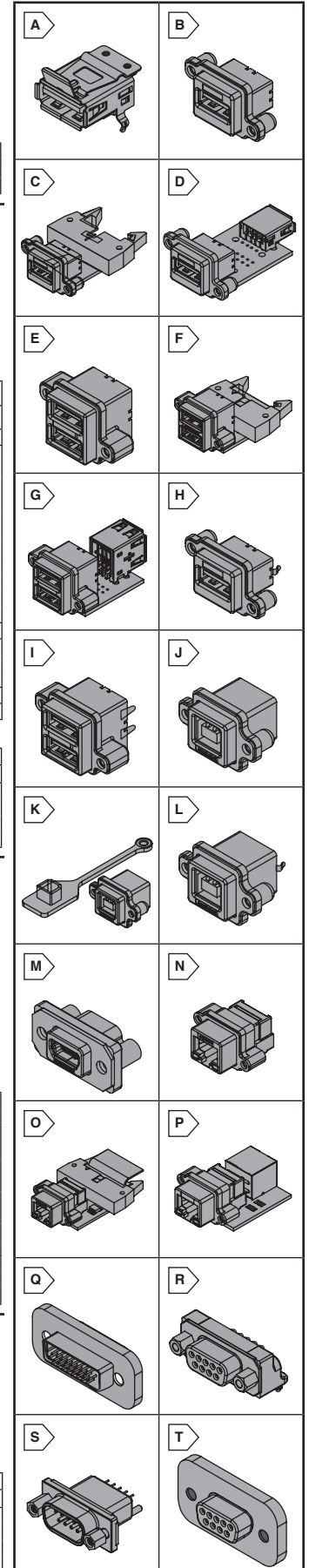
- IP67 sealed in mated and unmated conditions
- Number of Contacts: 9 & 26
- Contact Plating: 30µ" Gold
- Current Rating: 5 Amps
- Voltage Rating: 200 VDC, 125 VAC
- Dielectric Withstanding Voltage: 500 VDC @25°C & 50mA max
- Insulator/Shell: UL94V-0
- Gasket: Silicone rubber
- Operating temperature: -40°C to +105°C

Applications:

- Industrial
- Military Communications
- Marine
- Automotive

For quantities greater than listed, call for quote.

MOUSER STOCK NO.	Amphenol Part No.	Fig.	Description	No. of Pos.	Price Each			
					1	10	25	50
523-MDB-A26PE-860	MDBA26PE860	Q	PCB Male, Vertical, metal die cast shell, 4-40 threads	26				
523-MDB-E09SA-700	MDB-E09SA-700	R	PCB Female, R/A, thermoplastic shell, 4-40 threads	9				
523-MDBE09PE860	MDBE09PE860	S	PCB Male, Vertical, metal shell, 4-40 threads	9				
523-MDB-E09SE-860	MDBE09SE860	T	PCB Female, Vertical, metal die cast shell, 4-40 threads	9				



AMPHENOL® Rugged Ethernet Connection System Amphenol®

RJF EZ ETHERNET COMPOSITE CONNECTORS

- IP68, Sealed against fluids and dusts
- No tools required
- Can use a standard RJ45 cordset
- Quick lever coupling

For quantities greater than listed, call for quote.

MOUSER STOCK NO.	Amphenol Part No.	Fig.	Description	Price Each		
				1	5	10
523-RJFEZ6	RJFEZ6	A	Rectangular, Plastic, Black Plug			
523-RJFEZ21	RJFEZ21	B	Rectangular Plastic Panel Mount, RJ45, Black Receptacle			
523-RJFEZ2203100BTX	RJFEZ2203100BTX	C	Panel Mount with RJ45 cordset, 0.3M, Black Receptacle			
523-RJFEZ2205100BTX	RJFEZ2205100BTX	C	Panel Mount with RJ45 cordset, 0.5M, Black Receptacle			
RJFEZ Accessories				1	5	10
523-RJFEZBE	RJFEZBE	-	Rectangular Plastic Cap for Receptacle			
523-RJFEZJE	RJFEZJE	-	Gasket for Panel Mount Receptacle			

RJ11 FIELD CONNECTION SYSTEM

- Transversely potted and sealed without cap
- Accommodates a standard RJ11 cordset
- Four mechanical coding/polarization possibilities for the user
- MIL-C-26482
- Bayonet coupling

For quantities greater than listed, call for quote.

MOUSER STOCK NO.	Amphenol Part No.	Fig.	Description	Price Each		
				1	5	10
Plugs						
523-RJ11F6B	RJ11F6B	D	Plastic Gland, Black			
523-RJ11F6N	RJ11F6N	D	Plastic Gland, Nickel			
Receptacles						
523-RJ11F21B	RJ11F21B	E	Panel Mount, RJ11 to RJ11, Black			
523-RJ11F21N	RJ11F21N	E	Panel Mount, RJ11 to RJ11, Nickel			
523-RJ11F22N	RJ11F22N	F	Panel Mount, RJ11 to PC Board, Nickel			
523-RJ11F71N	RJ11F71N	G	Jam Nut, RJ11 to RJ11, Nickel			
523-RJ11F72N	RJ11F72N	H	Jam Nut, RJ11 to PC Board, Nickel			
RJ11 Field Accessories						
523-RJ11FC6N	RJ11FC6N	I	Cap for Plug, Nickel			
523-RJ11FC2B	RJ11FC2B	J	Cap for Receptacle, Black			
523-RJ11FC2N	RJ11FC2N	J	Cap for Receptacle, Nickel			
523-RJ11FC7N	RJ11FC7N	J	Cap for Jam Nut Receptacle, Nickel			
523-RJ11FODE	RJ11FODE	K	Insert Removal Device			

RJ FIELD TRANSVERSELY AND ENVIRONMENTALLY SEALED RECEPTACLES

- Transversely potted and sealed without cap
- Features the same main characteristics as the RJ Field and RJ Field TV series
- Four mechanical coding/polarization possibilities for the user
- IP68, sealed against fluids and dust
- Tr-start threading

For quantities greater than listed, call for quote.

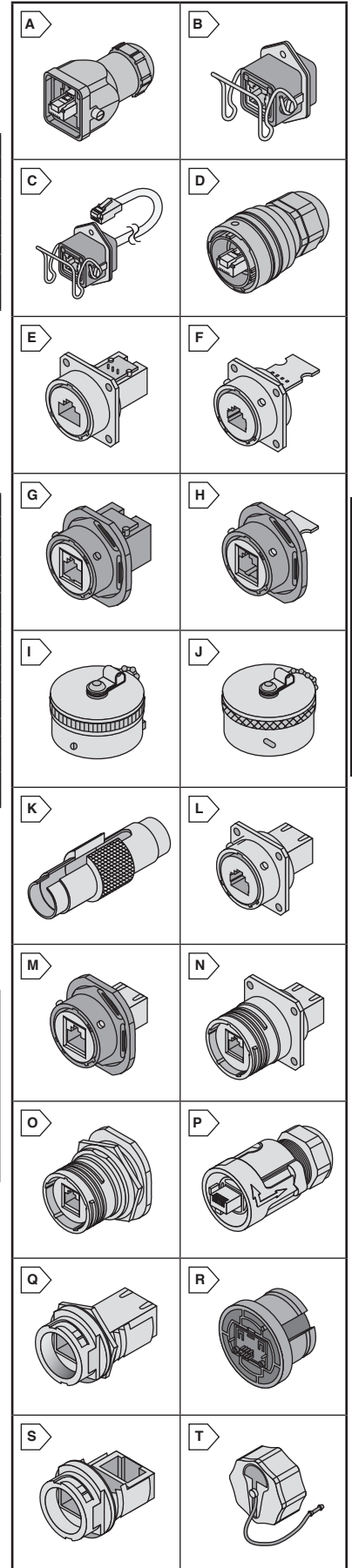
MOUSER STOCK NO.	Amphenol Part No.	Fig.	Description	RoHS Compliant	Price Each		
					1	5	10
523-RJF2SA1B	RJF2SA1B	L	Panel Mount, RJ45, Black	Yes			
523-RJF2SA1N	RJF2SA1N	L	Panel Mount, RJ45, Nickel	Yes			
523-RJF2SA1G	RJF2SA1G	L	Panel Mount, RJ45, Green Cadmium	No			
523-RJF7SA1B	RJF7SA1B	M	Jam Nut, RJ45, Black	Yes			
523-RJF7SA1G	RJF7SA1G	M	Jam Nut, RJ45, Green Cadmium	No			
523-RJFTV2SA1N	RJFTV2SA1N	N	Panel Mount, RJ45, Nickel	Yes			
523-RJFTV2SA1G	RJFTV2SA1G	N	Panel Mount, RJ45, Green Cadmium	No			
523-RJFTV7SA1G	RJFTV7SA1G	O	Jam Nut, RJ45, Green Cadmium	No			

RJ FIELD REVERSE BAYONET COMPOSITE CONNECTORS

- Compatible with cable diameter from 5.5mm to 7mm
- Transversely potted and sealed without cap
- Accommodates a standard RJ45 cordset
- IP68, sealed against fluids and dust
- No tools required

For quantities greater than listed, call for quote.

MOUSER STOCK NO.	Amphenol Part No.	Fig.	Description	Price Each		
				1	5	10
Cat 5e Plug						
523-RJFRB6	RJFRB6	P	Plug, Plastic Gland, Black			
Cat 5e Receptacle						
523-RJFRB71	RJFRB71	Q	Jam Nut, RJ45, Black			
523-RJFRB7203100BTX	RJFRB7203100BTX	Q	Jam Nut, with 11.81" (0.3 m) RJ45 cordset, Black			
523-RJFRB7210100BTX	RJFRB7210100BTX	Q	Jam Nut, with 39.37" (1.0 m) RJ45 cordset, Black			
523-RJFRB75	RJFRB75	R	Jam Nut, with straight PC Tails, Black			
523-RJFRB71RA	RJFRB71RA	S	Jam Nut, Right Angle RJ45, Black			
Accessory						
523-RJFRBC7	RJFRBC7	T	Cap for Jam Nut Receptacle - RJFRB71/RJFRB71RA			



Data/Network/Telecom Amphenol

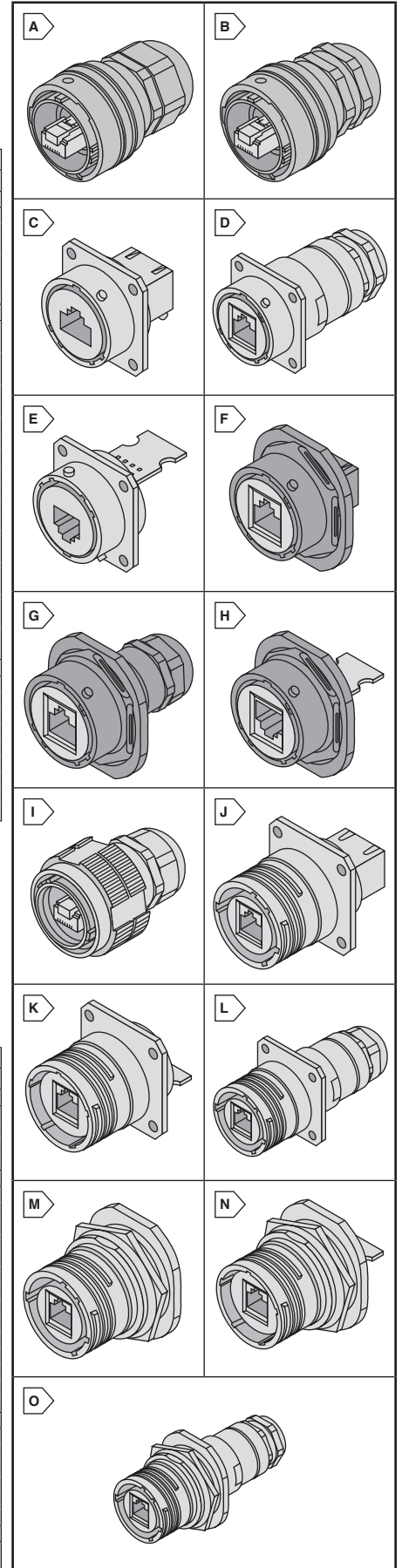
AMPHENOL® Rugged Ethernet Connection Systems Amphenol®

RJ FIELD ETHERNET BAYONET CONNECTION SYSTEM

- IP68, Sealed against fluids and dusts
- No Tools required
- Mechanical Coding/Polarization (4 positions)
- Bayonet coupling mechanism (MIL-C-26482 type)
- Audible and Visual coupling signal
- Accommodates a standard RJ45 cordset

For quantities greater than listed, call for quote.

MOUSER STOCK NO.	Amphenol Part No.	Fig.	RoHS	Description	Price Each		
					1	5	10
Plugs							
523-RJF6B	RJF6B	A	Yes	Plug, Metal Circular Shell, Plastic Gland, Black			
523-RJF6N	RJF6N	A	Yes	Plug, Metal Circular Shell, Plastic Gland, Nickel			
523-RJF6G	RJF6G	A	No	Plug, Metal Circular Shell, Green Cadmium			
523-RJF6MB	RJF6MB	B	Yes	Plug, Metal Circular Shell, Black, Metal Gland			
523-RJF6MN	RJF6MN	B	Yes	Plug, Metal Circular Shell, Nickel, Metal Gland			
523-RJF6MG	RJF6MG	B	No	Plug, Metal Circular Shell, Green Cadmium, Metal Gland			
Receptacles							
523-RJF21B	RJF21B	C	Yes	Panel Mount Recept., RJ45, Black			
523-RJF21N	RJF21N	C	Yes	Panel Mount Recept., RJ45, Nickel			
523-RJF21G	RJF21G	C	No	Panel Mount Recept., RJ45, Green Cadmium			
523-RJF2PE1B	RJF2PE1B	-	Yes	Panel Mount Recept., RJ45, Backshell Plastic Gland, Black			
523-RJF2PE1N	RJF2PE1N	-	Yes	Panel Mount Recept., RJ45, Backshell Plastic Gland, Nickel			
523-RJF2PE1G	RJF2PE1G	-	No	Panel Mnt Recept., RJ45, Backshell Plastic Gland, Green Cadmium			
523-RJF2PEM1B	RJF2PEM1B	D	Yes	Panel Mount Recept., RJ45, Backshell Metal Gland, Black			
523-RJF2PEM1N	RJF2PEM1N	D	Yes	Panel Mount Recept., RJ45, Backshell Metal Gland, Nickel			
523-RJF2PEM1G	RJF2PEM1G	D	No	Panel Mnt Recept., RJ45, Backshell Metal Gland, Green Cadmium			
523-RJF2B00	RJF2B00	E	Yes	Panel Mount Recept., PCB, Black			
523-RJF2N00	RJF2N00	E	Yes	Panel Mount Recept., PCB, Nickel			
523-RJF2G00	RJF2G00	E	No	Panel Mount Recept., PCB, Green Cadmium			
523-RJF71B	RJF71B	F	Yes	Jam Nut Recept., RJ45, Black			
523-RJF71N	RJF71N	F	Yes	Jam Nut Recept., RJ45, Nickel			
523-RJF71G	RJF71G	F	No	Jam Nut Recept., RJ45, Green Cadmium			
523-RJF7PE1B	RJF7PE1B	G	Yes	Jam Nut Recept., RJ45, Backshell Plastic Gland, Black			
523-RJF7PE1G	RJF7PE1G	G	No	Jam Nut Recept., RJ45, Green Cadmium			
523-RJF7PEM1B	RJF7PEM1B	G	Yes	Jam Nut Recept., RJ45, Backshell Metal Gland, Black			
523-RJF7PEM1N	RJF7PEM1N	G	Yes	Jam Nut Recept., RJ45, Backshell Metal Gland, Nickel			
523-RJF7PEM1G	RJF7PEM1G	G	No	Jam Nut Recept., RJ45, Backshell Metal Gland, Green Cadmium			
523-RJF7G00	RJF7G00	H	No	Jam Nut Recept., PCB, Green Cadmium			
Accessories							
523-RJFC6B	RJFC6B	-	Yes	Cap for Plug, Black			
523-RJFC6N	RJFC6N	-	Yes	Cap for Plug, Nickel			
523-RJFC6G	RJFC6G	-	No	Cap for Plug, Green Cadmium			
523-RJFC2B	RJFC2B	-	Yes	Cap for Panel Mount Receptacle, Black			
523-RJFC2N	RJFC2N	-	Yes	Cap for Panel Mount Receptacle, Nickel			
523-RJFC2G	RJFC2G	-	No	Cap for Panel Mount Receptacle, Green Cadmium			
523-RJFC7B	RJFC7B	-	Yes	Cap for Jam Nut Receptacle, Black			
523-RJFC7N	RJFC7N	-	Yes	Cap for Jam Nut Receptacle, Nickel			
523-RJFC7G	RJFC7G	-	No	Cap for Jam Nut Receptacle, Green Cadmium			



RJ FIELD TV THREADED ETHERNET CONNECTION SYSTEM

- IP68, Sealed against fluids and dusts
- No tools required
- Tri-Start Thread coupling mechanism (MIL-DTL-38999 series III type) with anti-decoupling device
- Self coding/clocking polarization in 4 positions (A,B,C,D)

For quantities greater than listed, call for quote.

MOUSER STOCK NO.	Amphenol Part No.	Fig.	RoHS	Description	Price Each		
					1	5	10
Plugs							
523-RJFTV6N	RJFTV6N	I	Yes	Plug, Plastic Gland, Nickel			
523-RJFTV6G	RJFTV6G	I	No	Plug, Plastic Gland, Green Cadmium			
523-RJFTV6MN	RJFTV6MN	-	Yes	Plug, Metal Gland, Nickel			
523-RJFTV6MG	RJFTV6MG	-	No	Plug, Metal Gland, Green Cadmium			
Receptacles							
523-RJFTV21N	RJFTV21N	J	Yes	Panel Mount Recept., RJ45, Nickel			
523-RJFTV21G	RJFTV21G	J	No	Panel Mount Recept., RJ45, Green Cadmium			
523-RJFTV22N00	RJFTV22N00	K	Yes	Panel Mount Recept., PCB, Nickel			
523-RJFTV22G00	RJFTV22G00	K	No	Panel Mount Recept., PCB, Green Cadmium			
523-RJFTV2PE1G	RJFTV2PE1G	L	No	Panel Mnt Recept., RJ45, Backshell Plastic Gland, Green Cadmium			
523-RJFTV2PEM1N	RJFTV2PEM1N	L	Yes	Panel Mount Recept., RJ45, Backshell Metal Gland, Nickel			
523-RJFTV2PEM1G	RJFTV2PEM1G	L	Yes	Panel Mnt Recept., RJ45, Backshell Plastic Gland, Green Cadmium			
523-RJFTV71N	RJFTV71N	M	Yes	Jam Nut Recept., RJ45, Nickel			
523-RJFTV71G	RJFTV71G	M	No	Jam Nut Recept., RJ45, Green Cadmium			
523-RJFTV72G00	RJFTV72G00	N	No	Jam Nut Recept., PCB, Green Cadmium			
523-RJFTV72N00	RJFTV72N00	N	Yes	Jam Nut Recept., PCB, Nickel			
523-RJFTV7PE1N	RJFTV7PE1N	O	Yes	Jam Nut Recept., RJ45, Backshell Plastic Gland, Nickel			
523-RJFTV7PEM1N	RJFTV7PEM1N	O	Yes	Jam Nut Recept., RJ45, Backshell Metal Gland, Nickel			
523-RJFTV7PEM1G	RJFTV7PEM1G	O	No	Jam Nut Recept., RJ45, Backshell Mtl Gland, Green Cadmium			
Accessories							
523-RJFTVC6N	RJFTVC6N	-	Yes	Cap for Plug, Nickel			
523-RJFTVC6G	RJFTVC6G	-	No	Cap for Plug, Green Cadmium			
523-RJFTVC2N	RJFTVC2N	-	Yes	Cap for Panel Mount Recept., Nickel			
523-RJFTVC2G	RJFTVC2G	-	No	Cap for Panel Mount Recept., Green Cadmium			
523-RJFTVC7N	RJFTVC7N	-	Yes	Cap for Jam Nut Recept., Nickel			
523-RJFTVC7G	RJFTVC7G	-	No	Cap for Jam Nut Recept., Green Cadmium			
360° EMI Shielded Kits							
523-KIT38081	KIT38081	-	No	Plug with Band, Shell, Backshell, RJ Stops & Sleeve			
523-KIT38082	KIT38082	-	No	Recept. with Band, Shell, Sleeve, Backshell & Gasket			

AMPHENOL Ethernet, Firewire & USB Connection Systems Amphenol®

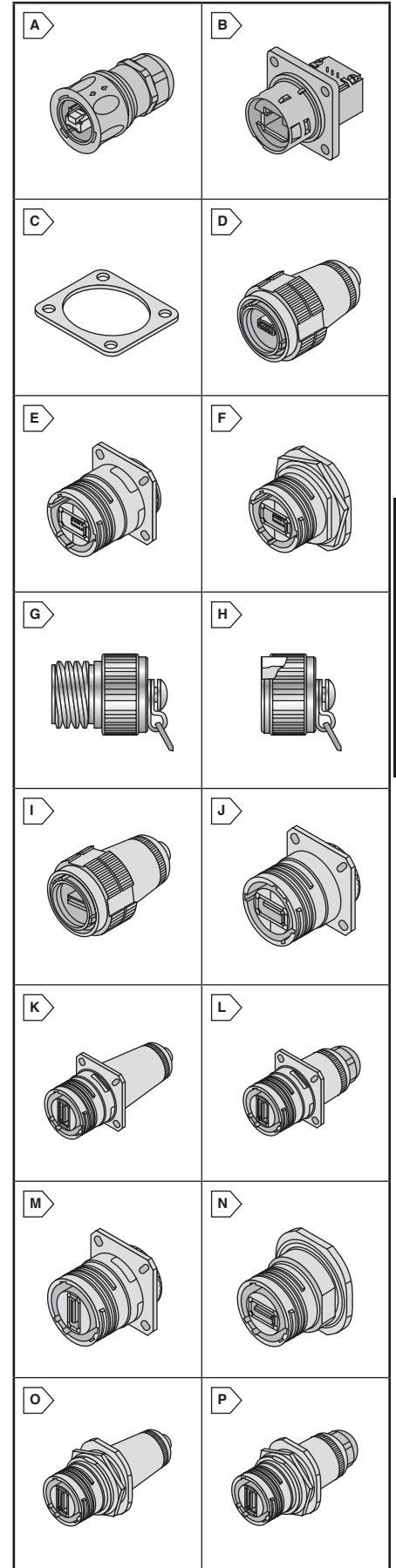
1235 RJF544 ETHERNET COMPOSITE CONNECTORS

- IP68, Sealed against fluids and dusts
- Improved EMI protection
- Accommodates a standard RJ45 cordset
- Quick Push-Pull coupling
- No tools required



For quantities greater than listed, call for quote.

MOUSER STOCK NO.	Amphenol Part No.	Fig.	Description	Price Each		
				1	5	10
523-RJF5446	RJF5446	A	Circular Plastic, Black Plug			
523-RJF54421	RJF54421	B	Panel Mount, Circular Plastic, Black Receptacle			
523-RJF5442M1	RJF5442M1	B	Panel Mount, Circular Metallized Plastic Receptacle			
523-54402BM	54402BM	-	Plastic Circular Cap for Plug			
523-54402BE	54402BE	-	Plastic Circular Cap for Receptacle			
523-54402JE	54402JE	C	Gasket (JE16) for Panel Mount Receptacle			



FIREWIRE FIELD IEEE 1394A-2000 CONNECTION SYSTEM

- IP68, Sealed against fluids and dusts
- Shock, vibration, and traction resistant
- No tools required
- Can use most standard IEEE1394 cordsets
- Tri-Start Thread coupling mechanism (MIL-DTL-38999 series III type) with anti-decoupling device

For quantities greater than listed, call for quote.

MOUSER STOCK NO.	Amphenol Part No.	Fig.	Description	RoHS	Price Each		
					1	5	10
523-FWFTV6G	FWFTV6G	D	Plug, OD Cadmium	No			
523-FWFTV21N	FWFTV21N	E	Panel Mount, Receptacle Nickel	Yes			
523-FWFTV71N	FWFTV71N	F	Jam Nut, Receptacle Nickel	Yes			
523-FWFTV71G	FWFTV71G	F	Jam Nut, Receptacle OD Cadmium	No			
523-FWFTVC6G	FWFTVC6G	G	Cap for Plug, OD Cadmium	No			
523-FWFTVC2N	FWFTVC2N	H	Cap for Panel Mount Recept, Nickel	Yes			
523-FWFTVC2G	FWFTVC2G	H	Cap for Panel Mount Recept, OD Cadmium	No			
523-FWFTVC7G	FWFTVC7G	-	Cap for Jam Nut Recept, OD Cadmium	No			

USB FIELD CONNECTION SYSTEM

- IP68, Sealed against fluids and dusts
- Shock, vibration, and traction resistant
- No tools required
- Improved EMI protection
- Accommodates a standard USB 2.0 cordset
- Tri-Start Thread coupling mechanism (MIL-DTL-38999 series III type) with anti-decoupling device

*USB cordset included.

For quantities greater than listed, call for quote.

MOUSER STOCK NO.	Amphenol Part No.	Fig.	Description	RoHS	Price Each		
					1	10	25
Plugs-Type A							
523-USBFTV6N	USBFTV6N	I	Nickel	Yes			
523-USBFTV6G	USBFTV6G	I	OD Cadmium	No			
Receptacles-Type A							
523-USBFTV21N	USBFTV21N	J	Panel Mount Nickel	Yes			
523-USBFTV21G	USBFTV21G	J	Panel Mount OD Cadmium	No			
523-USBFTV2PE1N	USBFTV2PE1N	K	Panel Mount with Backshell, Nickel	Yes			
523-USBFTV2PE1G	USBFTV2PE1G	K	Panel Mount with Backshell, OD Cadmium	No			
523-USBFTV2PE2N	USBFTV2PE2N	L	Panel Mount with Backshell, PCB, Nickel	Yes			
523-USBFTV2PE2G	USBFTV2PE2G	L	Panel Mount with Backshell, PCB, OD Cadmium	No			
523-USBFTV22N	USBFTV22N	M	Panel Mount PCB, Nickel	Yes			
523-USBFTV22G	USBFTV22G	M	Panel Mount PCB, OD Cadmium	No			
523-USBFTV71N	USBFTV71N	N	Jam Nut, Nickel	Yes			
523-USBFTV71G	USBFTV71G	N	Jam Nut OD Cadmium	No			
523-USBFTV7PE1N	USBFTV7PE1N	O	Jam Nut with Backshell, Nickel	Yes			
523-USBFTV7PE1G	USBFTV7PE1G	O	Jam Nut with Backshell, OD Cadmium	No			
523-USBFTV7PE2N	USBFTV7PE2N	P	Jam Nut with Backshell, PCB, Nickel	Yes			
523-USBFTV7PE2G	USBFTV7PE2G	P	Jam Nut with Backshell, PCB, OD Cadmium	No			
523-USBFTV72N	USBFTV72N	N	Jam Nut PCB, Nickel	Yes			
523-USBFTV72G	USBFTV72G	N	Jam Nut PCB, OD Cadmium	No			
Accessories							
523-USBFTVC6G	USBFTVC6G	G	Cap for Plug, OD Cadmium	No			
523-USBFTVC6N	USBFTVC6N	G	Cap for Plug, Nickel	Yes			
523-USBFTVC2N	USBFTVC2N	H	Cap for Panel Mount Recept, Nickel	Yes			
523-USBFTVC2G	USBFTVC2G	H	Cap for Panel Mount Recept, OD Cadmium	No			
523-USBFTVC7G	USBFTVC7G	H	* Cap for Jam Nut Recept, OD Cadmium	No			
523-USBFTVC7N	USBFTVC7N	H	* Cap for Jam Nut Recept, Nickel	Yes			
523-USBFODE	USBFODE	-	Insert Removal Device	Yes			

CONEC IP67 Connector Systems



This page of product is compliant.

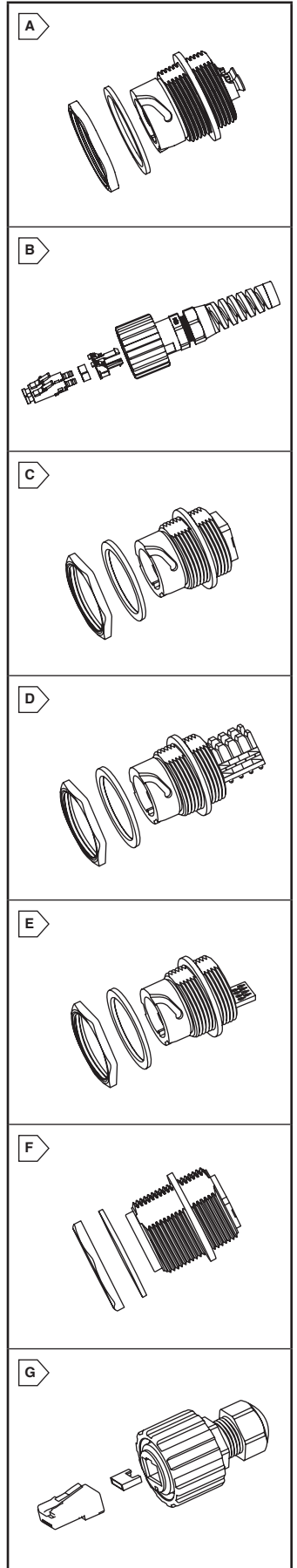


IP67 FIBER OPTIC LC-DUPLEX SYSTEM FOR HARSH ENVIRONMENTS

CONEC has developed an outdoor solution according to protection class IP67 to address the special requirements caused by environmental influences. The new designed system is based on a housing with bayonet coupling mechanism which contains a LC-Duplex Connector for the plug version and a LC-Duplex Adapter in the receptacle housing. Both types are available as single and multi-mode versions.

For quantities greater than listed, call for quote.

MOUSER STOCK NO.	CONEC Part No.	Fig.	Description	Price Each			
				1	10	25	50
Receptacle Assembly Kits							
706-17-300010	17-300010	A	Plastic, Single Mode				
706-17-300060	17-300060	A	Die-Cast Single Mode				
706-17-300070	17-300070	A	Die-Cast Multi Mode				
Plug Kits							
706-17-300030	17-300030	B	Plastic, Single Mode				
706-17-300110	17-300110	B	Plastic, APC Single Mode				
706-17-300080	17-300080	B	Die-Cast, Single Mode				
706-17-300090	17-300090	B	Die-Cast, Multi Mode				
706-17-300120	17-300120	B	Die-Cast, APC Single Mode				
Accessories							
706-17-300050	17-300050	-	Protective cover receptacle				



SEALED INDUSTRIAL ETHERNET CIRCULAR IP67 RJ45 CONNECTOR SYSTEM

RJ45 Receptacles

Coupler Version:

- Receptacle housing for front or rear panel mounting, panel thickness up to 3.2mm
- The receptacle housing establishes a reliable IP67 protected connection after coupling with the RJ45 Cat. 5e plug kit
- Inside the device, a standard patch cable with RJ45 Cat. 5e plug IP20 will be applied into the inline coupler

IDC Jack Version:

- Receptacle housing for front or rear panel mounting, panel thickness up to 3.2mm
- The receptacle housing establishes a reliable IP67 protected connection after coupling with the RJ45 Cat. 5e plug kit
- The RJ45 Cat. 5e jack offers an IDC connection for fast and easy cable mount inside the device

PCB Jack Version:

- Receptacle housing for front or rear panel mounting, panel thickness up to 3.2mm
- The receptacle housing establishes a reliable IP67 protected connection after coupling with the RJ45 Cat. 5e plug kit
- Solder assembly of the cable inside the device on a special PCB

For quantities greater than listed, call for quote.

MOUSER STOCK NO.	CONEC Part No.	Fig.	Description	Price Each			
				1	10	25	50
Inline Coupler Kits							
631-17-10000	17-10000	C	Plastic with shielded inline coupler + protective cover				
631-17-10020	17-10020	C	Plastic unshielded inline coupler + protective cover				
706-17-10009	17-10009	C	Plastic with shielded inline coupler				
631-17-10011	17-10011	C	Metalized plastic with shielded inline coupler + protective cover				
706-17-101754	17-101754	C	Zinc Die-Cast Version with Shielded RJ45 Inline Coupler				
706-17-101764	17-101764	C	Zinc Die-Cast Version with Unshielded RJ45 Inline Coupler				
706-17-101814	17-101814	C	Zinc Die-Cast Version with Shielded RJ45 Coupler + Cover				
706-17-101824	17-101824	C	Zinc Die-Cast Version with Unshielded RJ45 Coupler + Cover				
IDC Kits							
631-17-10038	17-10038	D	Potted metallized plastic with shielded IDC jack + protective cover				
631-17-10037	17-10037	D	Potted plastic with shielded IDC jack + protective cover				
706-17-10033	17-10033	D	Potted plastic version with shielded inline coupler, with IDC Jack				
PCB Kits							
631-17-10023	17-10023	E	Plastic with shielded PCB jack + protective cover				
631-17-10024	17-10024	E	Metalized plastic with shielded PCB jack + protective cover				
631-17-10039	17-10039	E	Potted plastic with shielded PCB jack + protective cover				
631-17-10040	17-10040	E	Potted metallized plastic with shielded PCB jack + protective cover				
706-17-10017	17-10017	E	Plastic version with shielded inline coupler, with PCB Jack				
706-17-10035	17-10035	E	Potted plastic version with shielded inline coupler, with PCB Jack				
Installation Housing Kits							
706-17-100934	17-100934	F	Metal version with shielded Cat 5e In-line coupler, M28 thread screw				
706-17-101494	17-101494	F	Metal version w/unshielded Cat 5e In-line coupler, M28 thread screw				
706-17-101604	17-101604	F	Metal version w/shielded Cat 5e In-line coupler + Protective cover (M28)				
706-17-101614	17-101614	F	Metal version w/unshielded Cat 5e In-line coupler + Protective cover (M28)				

RJ45 Plugs

Features:

- Applicable RJ45 Cat. 5e plug in a bayonet mechanism housing
- The shielded RJ45 Cat. 5e plug connector is precisely aligned in the housing by its locking tab after assembling the cable and allows an easy and fast connection of both halves of the system
- The bayonet mechanism interlocks with an audible "click" and provides a reliable IP 67 protection
- AWG 24 copper wire, stranded or solid cables

For quantities greater than listed, call for quote.

Plug Kit							
MOUSER STOCK NO.	CONEC Part No.	Fig.	Description	1	10	25	50
631-17-10001	17-10001	G	Plug Kit-plastic version-quick bayonet style locking				
631-17-10013	17-10013	G	Plug Kit-metallized plastic version-quick bayonet style locking				
631-17-10044	17-10044	G	Plug Kit-die cast coupling ring, version-quick bayonet style locking				
706-17-101794	17-101794	G	Plug Kit-die cast, version-quick bayonet style locking				
Plugs with Strain Relief							
631-17-100464	17-100464	G	Plug with strain relief kit plastic version with M28 thread locking style				
631-17-100474	17-100474	G	Plug with strain relief kit metallized version with M28 thread locking style				

Protective Covers

For quantities greater than listed, call for quote.

MOUSER STOCK NO.	CONEC Part No.	Fig.	Description	1	10	25	50
631-17-10002	17-10002	-	Protective cover assembly plastic version				
631-17-10014	17-10014	-	Protective cover assembly metallized plastic version				

TOOLS

For quantities greater than listed, call for quote.

MOUSER STOCK NO.	CONEC Part No.	Description	Price Each	
			1	5
631-360X30049X	360X30049X	Punch-Down Tool		
631-360X30029X	360X30029X	RJ45 Plug Terminator		

CONEC Data/Network/Telecom

CONEC IP67 USB and IP67 Circular Connectors

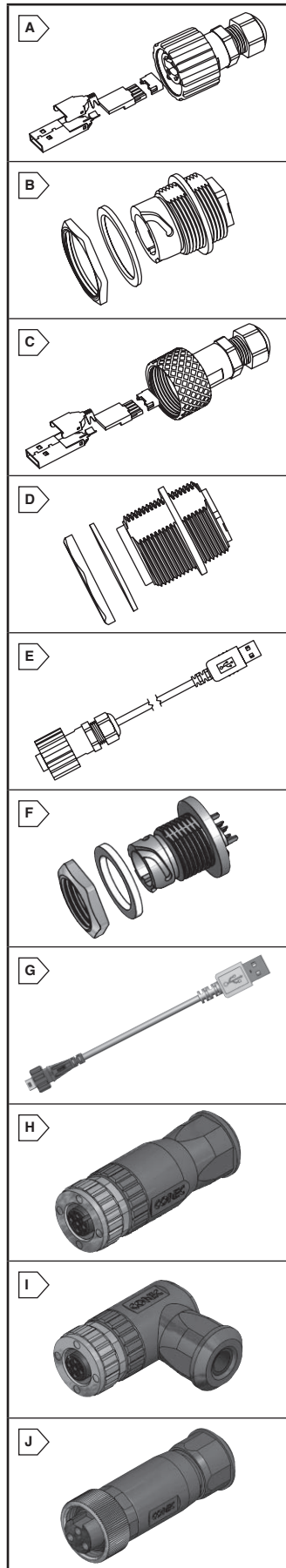


RoHS Compliant This product is RoHS compliant.

USB 2.0 IP67 WATER RESISTANT CONNECTOR SYSTEM

For quantities greater than listed, call for quote.

MOUSER STOCK NO.	CONEC Part No.	Fig.	Description	Price Each			
				1	10	25	50
Plastic							
706-17-200121	17-200121	A	USB Type A Plug Kit bayonet type				
706-17-200151	17-200151	A	USB Strain Relief Assembly with Type A Plug M28 Thread				
706-17-200001	17-200001	B	USB Type A/A Female Adapter, Plastic bayonet type				
706-17-200161	17-200161	B	USB Receptacle and Cover bayonet Type A/A Female Adapter				
Metal							
706-17-200591	17-200591	A	USB Type A Plug Kit, Die Cast				
706-17-200331	17-200331	C	USB Type A Plug Assembly Kit, Metal M28 Thread				
706-17-200321	17-200321	D	USB Type A/A Female Adapter, Metal M28 Thread				
706-17-200601	17-200601	B	USB Type A/A Female Adapter, Die Cast, bayonet type				
706-17-200611	17-200611	B	USB Type A/A Female Adapter, Die Cast, bayonet type with cover				
Covers							
631-17-10002	17-10002	-	Protective cover assembly plastic version				
706-17-101710	17-101710	-	Protective cover assembly bayonet type, with metal ball chain				
706-17-100950	17-100950	-	Protective cover assembly metal M28 thread				
706-17-101800	17-101800	-	Protective cover die cast - bayonet				
Patch Cords							
706-17-200231	17-200231	E	USB Patch Cord 2M Type A Plug (Bayonet) to Type A Plug (Standard)				
706-17-200181	17-200181	I	USB Patch Cord 2M Type A Plug (Bayonet) to Type B Plug (Standard)				



MINI-USB 2.0 IP67 CONNECTOR

- Design: black plastic
- Connection type socket version: PCB-mounted
- Through hole version
- Meets USB 2.0 Specifications
- Current Rating: 1.0 A max. @ 25°C
- Operating Temperature: -40°C to +80°C
- IP67 rated when fully mated with appropriate mating connector

For quantities greater than listed, call for quote.

MOUSER STOCK NO.	CONEC Part No.	Fig.	Description	Price Each			
				1	10	100	500
706-17-250021	17-250021	F	Receptacle with Dust Cap, Type B				

MINI-USB 2.0 IP67 PATCH CORDS

- Meets USB 2.0 Specifications
- Current Rating: 1.0 A max. @ 25°C
- Operating Temperature: -40°C to +80°C
- IP67 rated when fully mated with appropriate mating connector

For quantities greater than listed, call for quote.

MOUSER STOCK NO.	CONEC Part No.	Fig.	Description	Price Each			
				1	10	100	500
706-17-250031	17-250031	G	Patch Cord, mini-B USB Plug to Standard USB Type A Plug, 2M				
706-17-250041	17-250041	G	Patch Cord, mini-B USB Plug to Standard USB Type A Plug, 3M				
706-17-250051	17-250051	G	Patch Cord, mini-B USB Plug to Standard USB Type A Plug, 5M				

M12 IP67 CONNECTORS

- Rated Voltage: 4P - 250V
5P - 60V
- Current Rating: 4A
- Temperature range: -30°C to +85°C

For quantities greater than listed, call for quote.

MOUSER STOCK NO.	CONEC Part No.	Fig.	Pos.	Type	Desc.	Cable Dia.	Price Each			
							1	10	100	500
706-43-00092	43-00092	H	4	Female	Straight	4 - 8mm				
706-43-00094	43-00094	H	5	Female	Straight	4 - 8mm				
706-43-00096	43-00096	I	4	Female	R/A	4 - 8mm				
706-43-00098	43-00098	I	5	Female	R/A	4 - 8mm				
706-43-00100	43-00100	H	4	Male	Straight	4 - 8mm				
706-43-00102	43-00102	H	5	Male	Straight	4 - 8mm				
706-43-00104	43-00104	I	4	Male	R/A	4 - 8mm				
706-43-00106	43-00106	I	5	Male	R/A	4 - 8mm				

7/8" IP67 CONNECTORS

- Rated Voltage: 250V
- Current Rating: 2P - 12A
4P - 9A
- Temperature range: -30°C to +85°C

For quantities greater than listed, call for quote.

MOUSER STOCK NO.	CONEC Part No.	Fig.	Pos.	Type	Desc.	Cable Dia.	Price Each			
							1	10	100	500
706-41-00001	41-00001	J	2+PE	Female	Straight	6 - 12mm				
706-41-00002	41-00002	J	4	Female	Straight	6 - 12mm				
706-41-00003	41-00003	J	4+PE	Female	Straight	6 - 12mm				
706-41-00004	41-00004	J	2+PE	Male	Straight	6 - 12mm				
706-41-00005	41-00005	J	4	Male	Straight	6 - 12mm				
706-41-00006	41-00006	J	4+PE	Male	Straight	6 - 12mm				



This product is RoHS compliant.

IP30 ETHERNET SWITCH

Features:

- The ethernet switch eCon-3080 and eCon-2050 can be used in industrial environments and supports Ethernet (10Mbit/s) and Fast Ethernet (100Mbit/s).
- Up to 8 ethernet devices can be connected via the RJ45-ports
- Supports simple and quick network diagnostics with integrated LEDs at every port
- Store and Forward switching mode and supports auto-crossing, auto-negotiation and auto-polarity
- Compact design
 - Unmanaged switch
- Robust metal housing
 - Top hat rail mounting (DIN EN 60 715)
- Extended temperature range
 - RoHS compliant per HARTING documentation

For quantities greater than listed, call for quote.

MOUSER STOCK NO.	HARTING Part No.	Fig.	Description	Price Each
617-20-76-108-3000	20 76 108 3000	A	IP30 Ethernet Switch with 8 ports	
617-20-76-105-3000	20 76 105 3000	B	IP30 Ethernet Switch with 5 ports	

RJ INDUSTRIAL® IP20 STANDARD PATCH CABLES

Category 5E patch cables in accordance with PROFnet® guidelines.

Features:

- Designed for use in protected environments or IT-based applications
- Electrical performance Cat. 5E or to ISO/IEC 11 8801:2002
- Mating face RJ45, 8-pin
- Pin assignment to TIA/EIA 568B 1:1 cabling
- Molded connector, shielded with latch, molded from halogen-free polyamide
- Cat. 5E cable, AWG 26/7, shielded
- Sheath material made of halogen-free polyurethane (PUR), available in black or green
- RoHS Compliant per HARTING documentation

For quantities greater than listed, call for quote.

MOUSER STOCK NO.	HARTING Part No.	Fig.	Cable Length (M)	Cable Sheath	Price Each		
					1	5	10
Sheath: Black							
617-09-45-971-1121	09 45 971 1121	C	0.5	PUR Black			
617-09-45-971-1122	09 45 971 1122	C	1.0	PUR Black			
617-09-45-971-1123	09 45 971 1123	C	2.0	PUR Black			
617-09-45-971-1124	09 45 971 1124	C	3.0	PUR Black			
617-09-45-971-1126	09 45 971 1126	C	5.0	PUR Black			

HA-VIS SMART IP 20 CAT. 6 PATCH CABLE

Features:

- Illuminated detection of specific patch cables in data center environments
- Suitable for Gigabit Ethernet 1000 Mbit/s
- Transmission performance in acc. with Cat. 6 ISO/IEC 11 801
- Flame retardant and halogen-free

For quantities greater than listed, call for quote.

MOUSER STOCK NO.	HARTING Part No.	Fig.	Cable Length (M)	Description	Price Each		
					1	5	
617-09474747201	09 47 474 7201	C	1.0	Gray boot, yellow jacket			
617-09474747203	09 47 474 7203	C	2.0	Gray boot, yellow jacket			
617-09474747206	09 47 474 7206	C	5.0	Gray boot, yellow jacket			
Smart Patch Cable Detector							
617-09479000001	09 47 900 0001	-	-	Ha-Vis Smart patch cable detector			

IP 20 DATA CONNECTOR

Specifications:

- Housing: Plastic, Black
- Matching Interface: RJ45 in acc. to IEC 60603-7
- Cable Sheath Diameter: 6.1mm-6.9mm
- Wire Gauge: AWG 22-24 stranded, AWG 22-23 solid

For quantities greater than listed, call for quote.

MOUSER STOCK NO.	HARTING Part No.	Fig.	Description	Price Each		
				1	5	10
617-09-45-151-1100	09 45 151 1100	D	IP20 Data Plug			

HARAX® CIRCULAR SHIELDED M12 CONNECTORS AND CABLE ASSEMBLIES

Approved by the ODVA (Open DeviceNet Vendors Association). In accordance with PROFnet® guidelines.

Features:

- Transmission characteristics in accordance with DIN 50 173-1
- D-Coding for ethernet
- Wire gauge: 22-24AWG stranded
- Conductor insulation material: PVC
- Working temperature: -25°C to +85°C
- Temperature during connection: -5°C to +50°C
- Protection level: IP 67

For quantities greater than listed, call for quote.

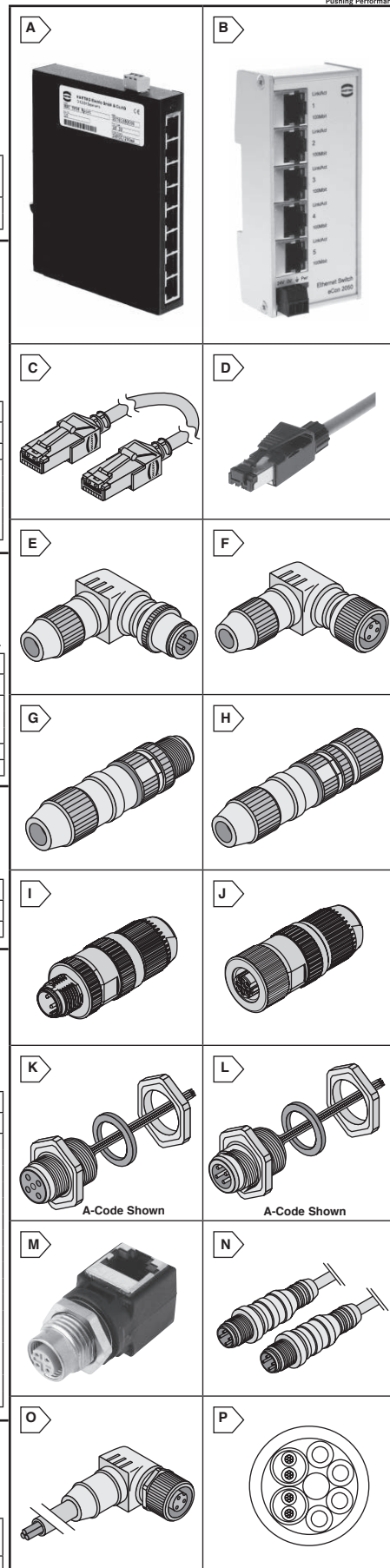
MOUSER STOCK NO.	HARTING Part No.	Fig.	Description	Price Each		
				1	5	10
617-21011405081	21011405081	E	4 Pin Male, A-Code, R/A			
617-21-01-140-5091	21011405091	F	4 Pin Female, A-Code, R/A			
617-21-03-111-1405	2103111405	G	4 Pin Male			
617-21-03-111-2405	21031112405	H	4 Pin Female			
617-21-03-281-1405	21032811405	I	4 Pin Male D-Code			
617-21-03-281-2405	21032812405	J	4 Pin Female D-Code			
617-21033111402	21033111402	K	4 Pin Male A-Code			
617-21033711403	21033711403	K	4 Pin Male D-Code Panel Mount			
617-21033112400	21033112400	L	4 Pin Female A-Code			
617-21-03-371-2403	21033712403	L	4 Pin Female D-Code Panel Mount			
617-21-03-381-4400	21033814400	M	4 Pin M12-RJ45 Adapter R/A			
617-21034831401	21034831401	N	4 Pin Male-Male D-Code 1M Cable			
617-21034831403	21034831403	N	4 Pin Male-Male D-Code 3M Cable			
617-21034831405	21034831405	N	4 Pin Male-Male D-Code 5M Cable			
617-21035154401	21035154401	O	4 Pin R/A Female-Open 1.5M Cable			
617-21035154402	21035154402	O	4 Pin R/A Female-Open 3M Cable			
617-21035154403	21035154403	O	4 Pin R/A Female-Open 5M Cable			

HYBRID DATA & POWER CABLE

- Suitable for PROFnet® Applications
- Fire retardant, non-corrosive jacket
- Cabling standard in acc. w/ ISO/IEC 11 801: Category 5
- Service Temperature: -20° C to +70° C
- Sheath: FRNC green, Ø 10.3mm
- Use with Hybrid parts above
- RoHS compliant per HARTING documentation
- For flexible installation

For quantities greater than listed, call for quote.

MOUSER STOCK NO.	HARTING Part No.	Fig.	Description	Price Each
617-09-45-600-0300	09 45 600 0300	P	2x 22AWG Twisted Pairs; 4x 16AWG Power; 100M Cable Ring	



HARTING DataNetwork/Telecom

HARTING Industrial Ethernet Solutions



RoHS Compliant This page of product is compliant.

RJ INDUSTRIAL 10G CAT.6 DEVICE SIDE COMPONENTS

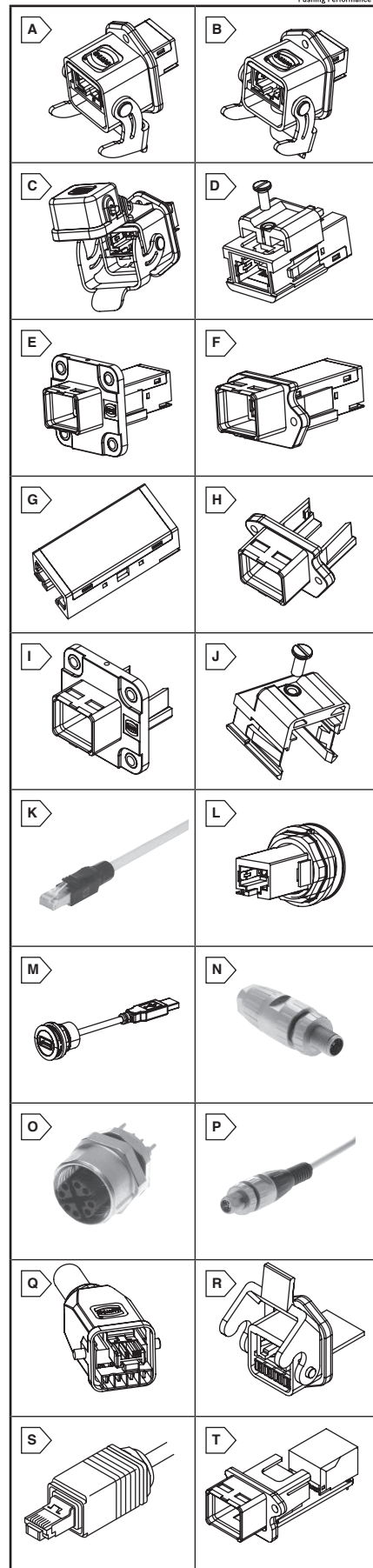
- Cat. 6 components to class EA for Ethernet up to 10 Gigabit
- HARTING Industrial Form Factor (HIFFF) dimensions for proper fit to PushPull, Han® 3A and Han-Modular® product lines
- Equivalent electrical performance across product lines
- Coupler is a full metal, robust design
- Future proof your 8 wire systems
- 360° shielding
- 360° EMC for industrial environments
- Ready to use panel feed through reduces assembly time



RoHS Compliant

For quantities greater than listed, call for quote.

MOUSER STOCK NO.	HARTING Part No.	Fig.	Description	Price Each		
				1	5	10
617-09-45-225-1560	09 45 225 1560	A	RJ45 CAT6 Panel Feed Through, Black Plastic			
617-09-45-215-1560	09 45 215 1560	A	RJ45 CAT6 Panel Feed Through, Metal Gray			
617-09-45-215-1561	09 45 215 1561	B	RJ45 CAT6 Panel Feed Through, Metal Black, Marine Version			
617-09-45-215-1562	09 45 215 1562	C	RJ45 CAT6 Panel Feed Through, Metal Gray, Self-Close Cover			
617-09-45-200-1560	09 45 200 1560	D	RJ45 CAT6 Insert			
617-09-45-245-1590	09 45 245 1590	E	Push-Pull Plastic Easy Install CAT6 Panel Feed Through			
617-09-45-245-1560	09 45 245 1560	F	Push-Pull Compact CAT6 Panel Feed Through			
617-09-45-545-1560	09 45 545 1560	G	10G CAT6 Bulkhead, RJ45-RJ45 Coupler			
617-09-45-545-0028	09 45 545 0028	H	Push-Pull Compact Receptacle Housing for Hiff Inserts			
617-09-45-545-0032	09 45 545 0032	I	Easy Install Housing for Hiff Insert W/ Plastic Clip			
617-09-45-515-0024	09 45 515 0024	J	Adapter for Hiff Inserts			



RJ INDUSTRIAL 10G CONNECTOR

- Housing: Plastic, Black
- Mating Interface: RJ 45 in acc. to IEC 60603-7
- Wire Gauge: 27-22AWG
- Cable Diameter: 4.5mm-9.0mm

For quantities greater than listed, call for quote.

MOUSER STOCK NO.	HARTING Part No.	Fig.	Description	Price Each		
				1	5	10
617-09451511560	09 45 151 1560	K	RJ Industrial 10G Plug Set			

HAR-PORT SERVICE INTERFACE FOR ETHERNET AND USB

- Number of ports: 2x RJ45
- Transmission rate: 10/100Mbit/s and 1/10Gbit/s



RoHS Compliant

For quantities greater than listed, call for quote.

MOUSER STOCK NO.	HARTING Part No.	Fig.	Description	Price Each		
				1	10	25
617-9454521560	09 45 452 1560	L	RJ45 IP20 Coupler Cat. 6			
617-9454521922	09 45 452 1922	M	USB 2.0 A-A Coupler, 1.5m PFT Cable			
617-9455020000	09 45 502 0000	-	Protection Cover IP44			
617-9455020001	09 45 502 0001	-	Sealing Cover			
617-9455020004	09 45 502 0004	-	Blind Cover			
617-9455020002	09 45 502 0002	-	Label Holder			
617-9455020003	09 45 502 0003	-	Label, Self-Adhesive			

HAR-SPEED M12 CONNECTORS

- Fully shielded
- High speed transfer rates to 1/10 Gbit
- Protection class IP 65/67



RoHS Compliant

For quantities greater than listed, call for quote.

MOUSER STOCK NO.	HARTING Part No.	Fig.	Description	Price Each		
				1	10	25
617-21-03-881-5805	21 03 881 5805	N	Male 8 pole			
617-21033812801	21 03 381 2801	O	Female 8 pole			
617-21-03-483-1801	21 03 483 1801	P	Male 1M system cable			
617-21034831810	21 03 483 1810	P	Male 10M system cable			

IP67 HYBRID CONNECTORS

- Mating interface: RJ 45 in accordance with IEC 60603-7, plus 4 x power supply
- Data and power integrated into one connector for hybrid ethernet networks
- Mating cycles: 500 min
- Cable plug: Wire gauge: 22-24AWG stranded 22-23AWG solid
- Panel Feed Through: Panel cut out: 22x22mm
- Protection level: IP67
- Temperature range: -40°C to +70°C
- Working voltage power supply: 48V
- Housing material: Black polyamide, UL94V-0 rated
- RoHS compliant per HARTING documentation



RoHS Compliant

For quantities greater than listed, call for quote.

MOUSER STOCK NO.	HARTING Part No.	Fig.	Description	Price Each		
				1	5	10
617-09-45-125-1300	09 45 125 1300	Q	Cable Plug, straight with plastic cable gland			
617-09-45-225-1300	09 45 225 1300	R	Panel Feed Through, internal RJ 45 jack IP20 and cage clamp			

IP67 RJ45 PUSH PULL CONNECTORS

- Mating interface: RJ 45 in accordance with IEC 60603-7
- Mating cycles: 750 min
- Protection level: IP67
- Temperature range: -40°C to +70°C
- Housing material: Black polyamide, UL94V-0 rated
- Cat 5 Data Plug utilizes IDC Termination
- Cat 6 Data Plug utilizes Crimp Termination
- Wire gauge: Cat5 Plug 22-24AWG; Cat6 Plug 24-26AWG
- Panel feed through: Panel cut out: 21x27mm
- RoHS compliant per HARTING documentation



RoHS Compliant

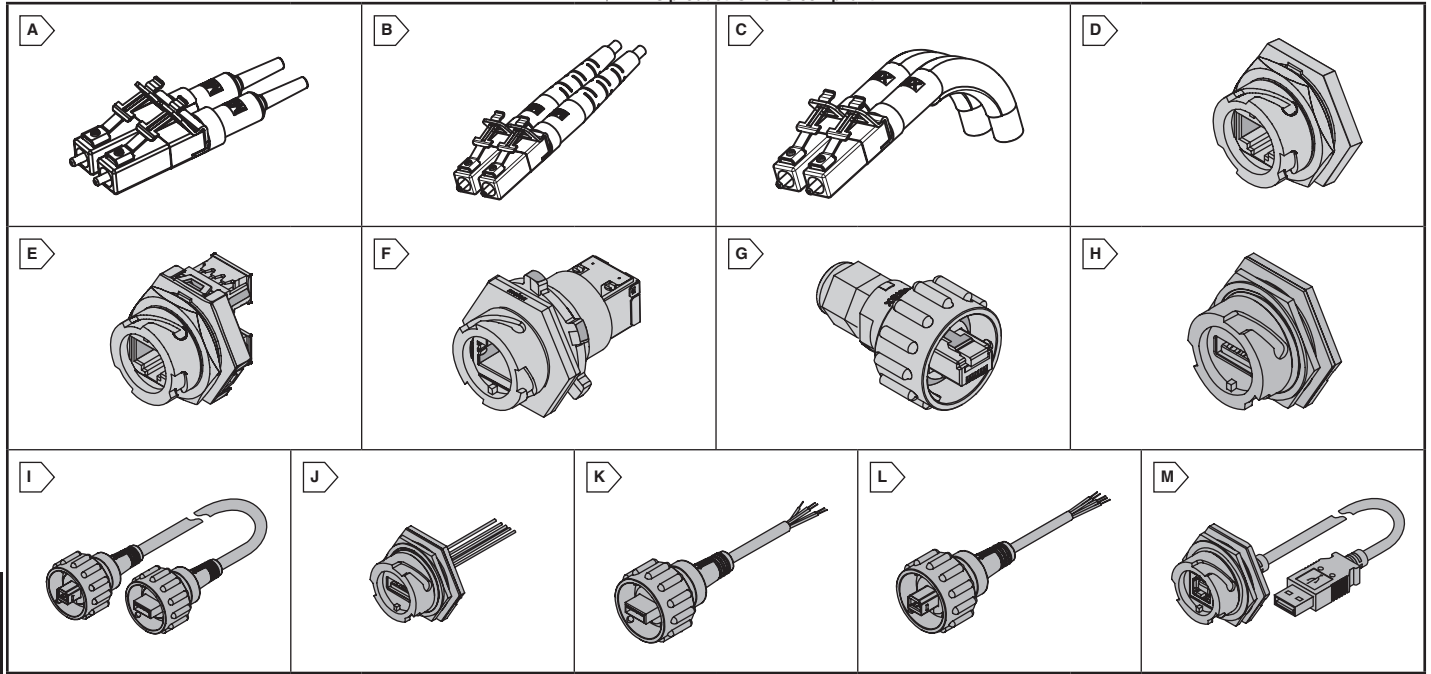
For quantities greater than listed, call for quote.

MOUSER STOCK NO.	HARTING Part No.	Fig.	Description	Price Each		
				1	5	10
617-09-45-145-1100	09 45 145 1100	S	Cat 5 Cable Plug; straight with plastic cable gland; 4 pole			
617-09-45-245-1102	09 45 245 1102	T	Panel Feed through, data only, internal RJ 45 jack			

MOLEX Fiber Optic and Industrial Ethernet Connectors molex

one company > a world of innovation

RoHS Compliant This product is RoHS compliant.



LC2+ FIBER OPTIC CONNECTORS

Features:

- Compatible with all LC form-factor connectors, adapters, active devices and tooling
- High-temperature metal body
- Improved latch retention in severe shock and vibration situations



For quantities greater than listed, call for quote.

MOUSER STOCK NO.	Molex Part No.	Fig.	Connector Type	Mode	Boot	Fiber Diameter	Color	Price Each			
								1	10	100	500
538-106397-2402	106397-2402	A	Duplex	Multi Mode	Straight	125µm	White				
538-106397-2202	106397-2202	A	Duplex	Single Mode	Straight	125µm	Blue				
538-106397-3010	106397-3010	B	Duplex	Multi Mode	Straight	127µm	White				
538-106397-1604	106397-1604	B	Duplex	Single Mode	Straight	126µm	Blue				
538-106397-1862	106397-1862	C	Simplex	Multi Mode	Tight Bend	127µm	White				
538-106397-1664	106397-1664	C	Duplex	Single Mode	Tight Bend	126µm	Blue				

RJ-45 Specifications:

- Contact: Phosphor Bronze (CuSn)
- Plating Contact: 1.3µm Gold (Au)
- Under Plating: Nickel (Ni)
- Housing Material: PA Polyamide (Nylon) PBT Polyester, TPE Thermo Plastic Elastomer
- Color: Black
- Flammability: UL 94V-0

- Durability (mating cycles): 500 cycles min.
- Current: 1.5A max.
- Voltage: 125V max.
- Withstanding Voltage: 1000VAC
- Contact Resistance: 20mΩ max.
- Insulation Resistance: 500MΩ Min.

USB Specifications:

- Contact: Copper Alloy
- Plating Contact: 0.75µm (30µ") Gold (Au)
- Under Plating: Nickel (Ni)
- Receptacle Housing: PBT, Black
- Flammability: UL 94V-0
- Durability (mating cycles): 1000
- Current: 1.0A
- Voltage: 30V
- Withstanding Voltage: 750VAC
- Contact Resistance: 30mΩ max.
- Insulation Resistance: 1000MΩ min.

RJ-45

For quantities greater than listed, call for quote.

MOUSER STOCK NO.	Molex Part No.	Fig.	Circuits	Description	Price Each			
					1	10	25	50
Receptacles								
538-84702-0005	84702-0005	D	0	PCB Mount Receptacle				
538-84702-0006	84702-0006	E	8	Punchdown Panel Mount Receptacle Jack				
538-84702-0008	84702-0008	E	8	Punchdown Panel Mount Receptacle Jack, Potted				
538-84700-0001	84700-0001	F	8	Receptacle, Inline, Industrial, 8/8				
Plugs								
538-84700-0002	84700-0002	G	8	Field Attachable Plug Kit, Industrial, 8/8, Panel Stops				
Accessories								
538-84700-0003	84700-0003	-	8	Dust Cover for Bayonet-Style Latch Connector				

USB CONNECTORS

For quantities greater than listed, call for quote.

MOUSER STOCK NO.	Molex Part No.	Fig.	Circuits	Description	Price Each			
					1	10	25	50
538-84729-0009	84729-0009	H	4	USB Type A Panel Mount PCB Receptacle				

USB CABLE ASSEMBLIES

For quantities greater than listed, call for quote.

MOUSER STOCK NO.	Molex Part No.	Fig.	Circuits	Description	Price Each			
					1	10	25	50
Double Ended								
538-84732-0002	84732-0002	I	4	Type A Plug to Type B Plug, Double Ended Cordset, 1.50m (4.92") Length				
538-84732-0004	84732-0004	I	4	Type A Plug to Type B Plug, Double Ended Cordset, 3.00m (9.84") Length				
Pigtail								
538-84729-0001	84729-0001	J	4	Type A Panel Mount Receptacle to Shielded Pigtail, 0.15M (.49") Length				
538-84727-1002	84727-1002	K	5	Type A Plug to Shielded Pigtail, 1.50m (4.92") Length				
538-84727-1003	84727-1003	K	5	Type A Plug to Shielded Pigtail, 3.00M (9.84") Length				
538-84728-1002	84728-1002	L	5	Type B Plug to Shielded Pigtail, 1.50m (4.92") Length				
538-84728-1003	84728-1003	L	5	Type B Plug to Shielded Pigtail, 3.00m (9.84") Length				
Cordset								
538-84729-0004	84729-0004	M	4	Type A Panel Mount Receptacle to Type A Plug Cordset, 0.80m (2.62") Length				
538-84729-0006	84729-0006	M	4	Type A Panel Mount Receptacle to Type A Plug Cordset, 2.00m (6.56") Length				

TOOLING

For quantities greater than listed, call for quote.

MOUSER STOCK NO.	Molex Part No.	Fig.	Description	Price Each
538-64016-0044	64016-0044	-	ServiceGrade™ Hand Tool, Modular Plug	

INDUSTRIAL DATA CONNECTORS

Variosub Push-Pull Ethernet and Power

Features:

- Unique Push-Pull latching/unlatching system
- IP67 Rated when mated
- Available in Metal or Plastic Housings
- Suitable for use in Industrial applications
- Power Connectors utilize Spring Cage Connection

For quantities greater than listed, call for quote.

MOUSER STOCK NO.		Fig.	Phoenix Type	Description	Price Each			
Mfr.	Mfr. Part No.				1	10	25	50
651	1608113	A	VS-PPC-C1-RJ45-MNNA-PG9-8I6	CAT6 IDC RJ45 IP67 Metal Push Pull				
651	1608139	A	VS-PPC-C1-RJ45-POBK-PG9-8I6	CAT6 IDC RJ45 IP67 Plastic Push Pull				
651	1608016	A	VS-PPC-C1-RJ45-MNNA-PG9-8Q5	CAT5e Quickon RJ45 IP67 Metal Push Pull				
651	1657834	A	VS-PPC-C1-RJ45-POBK-PG9-8Q5	CAT5e Quickon RJ45 IP67 Plastic Push Pull				
651	1608029	B	VS-PPC-F1-RJ45-MNNA-1R-PHA	RJ45 Panel Mount Frame, IP67, Metal				
651	1657847	B	VS-PPC-F1-RJ45-POBK-1R-PHA	RJ45 Panel Mount Frame, IP67, Plastic				
651	1653087	-	VS-08-BU-RJ45-6/LH-1	CAT6 RJ45 PCB Socket				
651	1608197	-	VS-PPC-F1-RJ45-POBK-1R-F	RJ45 Panel Mount Frame, Freetnet				
651	1608294	C	VS-PPC-F2-MSTB-POBK-1R-SPSA5	MSTB Plastic Pnl Mnt W/ Insert, 24V				

Variosub RJ45

Industrial ethernet connection for CAT 5, CAT 6 and CAT 6A

Features:

- Patented VARIOSUB housing with push/pull locking system
- IP20 or IP67 rated connections for protection from dust, dirt, water
- PCB mount or panel feed thru connections
- Fully shielded inserts

For quantities greater than listed, call for quote.

MOUSER STOCK NO.		Fig.	Phoenix Type	Description	Price Each			
Mfr.	Mfr. Part No.				1	10	25	50
651	1688696	C	VS-08-T-RJ45/IP67	Cat5 RJ45 IP67 Plastic sleeve housing				
651	1652732	C	VS-08-T-H-RJ45/IP67	Cat6 RJ45 IP67 Plastic sleeve housing				
651	1689080	-	VS-08-A-RJ45/MOD-1-IP67	IP67 Panel mount frame for sq panel cutout				
651	1689844	-	VS-08-A-RJ45/MOD-1-R-IP67	IP67 Panel mount frame for round cut-out				
651	1688573	D	VS-08-ST-RJ45	Cat5 RJ45 Male insert, IDC				
651	1656725	E	VS-08-RJ45-5-Q/IP20	Cat5 RJ45 Male insert, IDC, with IP20 housing				
651	1419001	E	VS-08-RJ45-10G/Q	Cat6 RJ45 Male insert, IDC with IP20 housing				
651	1656990	F	VS-08-RJ45-5-Q/IP67	Cat5 RJ45 Male insert, IDC, with IP67 housing				
651	1689064	G	VS-08-BU-RJ45/BU	Cat5 RJ45 Female insert, Fem / Fem				
651	1653087	G	VS-08-BU-RJ45-6/LH-1	Cat6 RJ45 Female insert for PCB (angled pins)				
651	1689200	-	VS-08-SD	Flat protective cover				
Tooling								
651	1206696	-	CRIMPFOX-LC	Hand crimp tool without die	1			5
651	1207420	-	CRIMPFOX-LC-RJ45S	Die for VS-08-ST-RJ45 male insert				

Variosub USB

Features:

- Compatible with USB 2.0
- Transmission rate 480Mbps
- IP67 and IP20 rated connections for protection from dust, dirt, water
- Mates with Phoenix Contact VARIOSUB USB Patch Cables

For quantities greater than listed, call for quote.

MOUSER STOCK NO.		Fig.	Phoenix Type	Description	Price Each			
Mfr.	Mfr. Part No.				1	10	25	50
651	1653744	-	VS-A-F-IP67	IP67 Panel mounting frame for female inserts				
651	1653838	H	VS-04-BUA-BUB-F/IP67	USB-A to USB-B Fem / Fem insert (reversible)				
651	1653854	H	VS-04-BUA-FK-F/IP67	USB-A Female insert for flat-ribbon connection				
651	1653867	H	VS-04-BUB-FK-F/IP67	USB-B Female insert for flat-ribbon connection				

INDUSTRIAL M12 SPEEDCON MINI-B USB CONNECTORS

Features:

- For harsh industrial applications
- Meets USB 2.0 with a transfer rate of 480 Mbit/s
- IP67 protected
- Utilizes the SPEEDCON connection system

For quantities greater than listed, call for quote.

MOUSER STOCK NO.		Fig.	Phoenix Type	Description	Price Each		
Mfr.	Mfr. Part No.				1	10	50
Receptacle							
651	1440711	I	VS-EC-MSDB SH SCO	Mini-B USB, Straight Solder			
Cable Assemblies							
651	1420168	J	VS-FSDB-IP20SDA/981/1,0 SCO	USB mini-B/IP20 on USB type A/IP20, length: 1m			
651	1420171	J	VS-FSDB-IP20SDA/981/2,0 SCO	USB mini-B/IP20 on USB type A/IP20, length: 2m			
651	1420184	J	VS-FSDB-IP20SDA/981/5,0 SCO	USB mini-B/IP20 on USB type A/IP20, length: 3m			

VARIOSUB ODVA V1 CONNECTORS

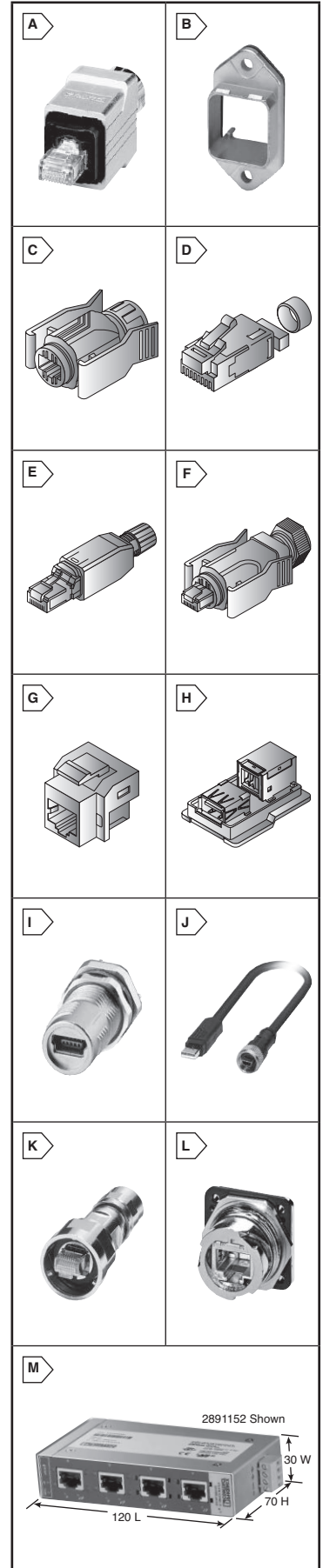
For quantities greater than listed, call for quote.

MOUSER STOCK NO.		Fig.	Phoenix Type	Description	Price Each	
Mfr.	Mfr. Part No.				1	5
651	1419182	K	VS-V1-C-RJ45-MNNA-PG9-8-I-5-S	Metal RJ45 connector		
651	1419184	L	VS-V1-F-RJ45-MNNA-1-C-S-JJ-S	RJ45 panel frame F/F insert		
651	1419185	L	VS-V1-F-RJ45-MNNA-1-C-S-JI-S	RJ45 panel frame with insert for cable		
651	1419183	-	VS-V1-C-PC-POBK	Protective cover for connector		
651	1419186	-	VS-V1-F-PC-POBK	Protective cover for panel frame		

SWITCHES

For quantities greater than listed, call for quote.

MOUSER STOCK NO.		Fig.	Phoenix Type	Description	Price Each	
Mfr.	Mfr. Part No.				1	2
Unmanaged Switches						
651	2891152	M	FL Switch SFN 5TX	5 TP-RJ45 ports		
651	2891929	M	FL Switch SFN 8TX	8 TP-RJ45 ports		
651	2891851	M	FL Switch SFN 4TX/FX	4 TP-RJ45 ports / 1 Fiber Port		
Managed Switches						
651	2989226	-	FL Switch SMCS 8TX	8 RJ45 ports, 10/100 Mbps with auto negotiation and autocross		
651	2989323	-	FL Switch SMCS 6TX/2SFP	6 RJ45/2 SFP ports, 10/100 Mbps with auto negotiation and autocross		



Data/Network/Telecom Phoenix Contact

POWER4NET HYBRID CONNECTORS FOR INDUSTRIAL AUTOMATION



- Hybrid design, combining power and data communication
- Housing with 8 power contacts and fast Ethernet interface
- Optional housing with 11 + PE (Protection Earth) contacts
- Wire-to-board, wire-to-panel and wire-to-wire designs

- Extremely robust contact design for longer durability with stainless steel locking lance and multiple contact points
- Gold, silver and tin plated contacts for industrial automation requirements
- Radial sealing elements provide IP67 sealing performance

- Hydraulic oil-resistant plastic enclosures or EMC protected metal enclosures
- Bulkhead, connector and wire-to-wire connectors in 90° and 180° designs
- Turning catch-lock ensures safe locking even in high shock and vibration applications



For quantities greater than listed, call for quote.

MOUSER STOCK NO.	TE Part No.	Description	Price Each		
			1	25	50
571-0-1103426-1	0-1103426-1	Male Insert Assembly, 4-pos., 22DF			
571-0-1103427-1	0-1103427-1	Female Insert Assembly, 4-pos., 22DF			
571-0-1103430-1	0-1103430-1	Male Insert Assembly, 4-pos., 22DF, PCB			
571-0-1103428-1	0-1103428-1	Male Insert Assembly, 8-pos., Type III+			
571-0-1103429-1	0-1103429-1	Female Insert Assembly, 8-pos., Type III+			
571-0-1103431-1	0-1103431-1	Male Insert Assembly, 12-pos., Type III+			
571-0-1103432-1	0-1103432-1	Female Insert Assembly, 12-pos., Type III+			
571-1108846-1	0-1108846-1	Bulkhead Housing PCB Solder Unit HC.26			
571-0-1103433-1	0-1103433-1	Bulkhead Housing (plastic)			
571-0-1103434-1	0-1103434-1	Angled Connector Housing (plastic)			
571-1103467-1	0-1103467-1	Connector Housing (plastic)			
571-1103470-1	0-1103470-1	Coupling Housing (plastic)			
571-1103483-1	0-1103483-1	Sealing Kit, Straight (plastic)			
571-1103519-1	0-1103519-1	Sealing Kit, Angled (plastic)			

INDUSTRIAL ETHERNET SWITCHES

Specific Features:

TES-401-X:

- 4-Port 10/100TX +1-Port 100FX unmanaged Industrial Ethernet Switch
- 1K MAC address table
- TX ports support full/half duplex flow control
- Multimode Fibre 2 km SC Interface
- Embedded memory buffer
- Backplane (Switching Fabric) 1.0 Gbps

TES-500-X:

- 5-Port 10/100TX unmanaged Industrial Ethernet Switch
- 2K MAC address table
- Supports full/half duplex flow control
- Embedded memory buffer
- Backplane (Switching Fabric) 1.0 Gbps

TES-800-X:

- 8-port 10/100TX unmanaged Industrial Ethernet Switch
- 2K MAC address table
- Supports full/half duplex flow control
- Embedded memory buffer
- Backplane (Switching Fabric) 1.6 Gbps

TEC-100-MM-X:

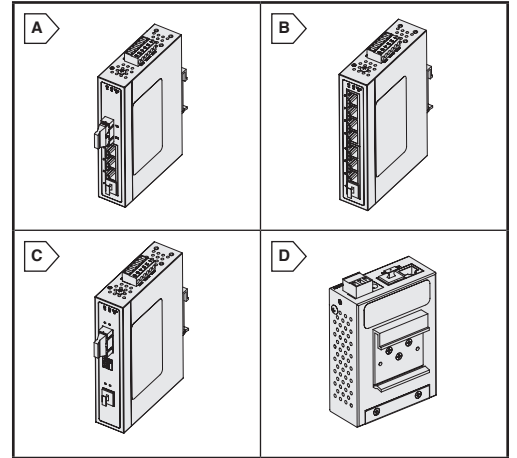
- 1-Port 10/100TX to 1-Port SC Multi Mode Media Converter
- Fibre distance up to 2km (Wave-length 1310 nm)

TED-102-TMX:

- 1 RS-232/422/485 port to 2 10/100TX Device Server
- Event Notification by eMail, SNMP trap or Beeper
- Software, Web, SNMP and Telnet management

For quantities greater than listed, call for quote.

MOUSER STOCK NO.	TE Part No.	Fig.	Description	Price Each
571-1987033-1	1987033-1	A	TES-401-MM-X Ethernet Switch	
571-1987032-1	1987032-1	B	TES-800-X Ethernet Switch	
571-1987152-1	1987152-1	C	TEC-100-MM-X Media Converter	
571-1987150-1	1987150-1	D	TED-102-TMX Device Server	



NANONICS DUALLOBE CONNECTORS

- High density packaging features
- Minimum mass

- Durable performance, rugged
- Withstands shock & vibration

- Outstanding electrical performance
- Low contact resistance
- High current capacity



Vertical Surface Mount Rectangular Connector

For quantities greater than listed, call for quote.

MOUSER STOCK NO.	TE Part No.	Fig.	No. of Pos.	Config.	Mounting Style	Mounting Hardware	Price Each	
							1	5
571-1-1589483-5	STL025L2AN	A	25	Recpt.	SMT	1.0mm x .160"		

Rectangular Common Wire Termination Connectors

- Conductor Size/Strands: 30AWG/7Strand

For quantities greater than listed, call for quote.

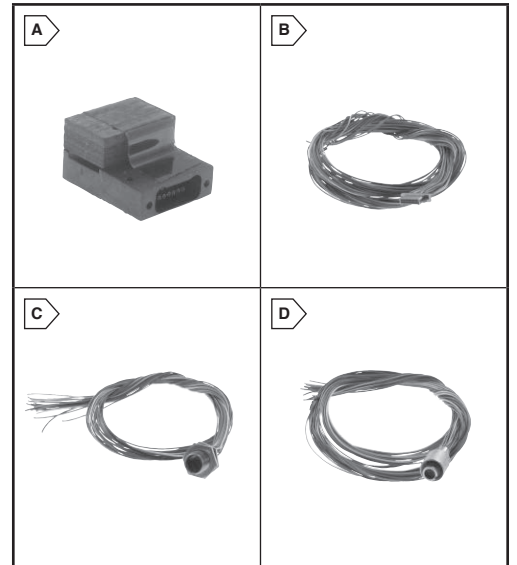
MOUSER STOCK NO.	TE Part No.	Fig.	No. of Pos.	Config.	Conduct. Length	Price Each	
						1	5
571-STM009PC2DC018N	STM009PC2DC018N	B	9	Plug	18		
571-STM025PC2DC018N	STM025PC2DC018N	B	25	Plug	18		
571-STM037PC2DC018N	STM037PC2DC018N	B	37	Plug	18		

Circular Connectors

- Conductor Size/Strands: 30AWG/7Strand

For quantities greater than listed, call for quote.

MOUSER STOCK NO.	TE Part No.	Fig.	No. of Pos.	Config.	Description	Conduct. Length	Price Each	
							1	5
571-QCM019SC2DC012P	QCM019SC2DC012P	C	19	Recpt.	Panel Mount	12		
571-TCM019PC2DC020B	TCM019PC2DC020B	D	19	Plug	With Backshell	20		



TE CONNECTIVITY Industrial Ethernet Connectors

RoHS Compliant This product is RoHS compliant.

CEELOK FAS-T CONNECTORS

Features:

- 1 Gbit-Ethernet and 10 Gbit-Ethernet when used with Cat 5e, Cat 6A or Cat 7 cables
- Crimp snap, 39029-style contacts for easy termination and field repairability
- T-shaped pin pattern improves S1 through uniform crosstalk cancellation
- Compatible with multiple braid terminations, adaptor styles and seal boots
- Scoop-proof design
- Insert assembly mechanically retained for ≤ 25 lb. retention force
- Robust coupling ring mechanism
- Size 8 shell saves weight and space



For quantities greater than listed, call for quote.

MOUSER STOCK NO.	TE Part No.	Fig.	Description	Price Each		
				1	5	10
Nickel						
571-2102353-1	2102353-1	A	Plug Kit Assembly			
571-2102353-1	2102353-1	B	Receptacle Kit Assembly			
571-2102351-1	2102351-1	C	PC Tail Assembly			
Black Zinc Nickel						
571-2102353-2	2102353-2	A	Plug Kit Assembly			
571-2102352-2	2102352-2	B	Receptacle Kit Assembly			
571-2102351-2	2102351-2	C	PC Tail Assembly			

DIRECT PCB MOUNT RECEPTACLE

Low profile receptacle that solders directly to a printed circuit board (PCB) - intended for customers who wish to incorporate a robust, sealed connection into their field equipment. Ideal for customers who wish to incorporate a sealed RJ-45 in the smallest possible package.

For quantities greater than listed, call for quote.

MOUSER STOCK NO.	TE Part No.	Fig.	Description	Price Each		
				1	5	10
571-1-1546405-1	1-1546405-1	D	8 pin through-hole receptacle, front coupling hex nut			

STANDARD PCB BOARD RECEPTACLES

Highly flexible solution that enables an end-user to solder a cable lead to an internal Ethernet connection.

For quantities greater than listed, call for quote.

MOUSER STOCK NO.	TE Part No.	Fig.	Description	Price Each		
				1	5	10
571-1-1546409-1	1-1546409-1	E	With PC Board			
571-1-1546411-1	1-1546411-1	E	With PCB & 12" cable (568A)			
571-1-1546412-1	1-1546412-1	E	With PCB & 12" cable (568B)			

BULKHEAD PASSTHROUGH RECEPTACLES

The perfect solution to bring Ethernet into a cabinet or control box. Simply mount bulkhead product in a panel cutout, mate a sealed connector on the outside of the enclosure, and run a commercial patch cord from the backside RJ-45 jack to your PLC, I/O, or Ethernet control board. No conduit entry is required.

Backside RJ-45 Jack Specifications:

- Base Material: Copper alloy with 30µ" gold alloy
- Underplating: 2.54 microns of nickel
- Mating Cycles: 250 min.
- Current Rating: 1.5A
- Voltage Rating: 125 V DC

For quantities greater than listed, call for quote.

MOUSER STOCK NO.	TE Part No.	Fig.	Description	Price Each		
				1	5	10
571-1546413-3	1546413-3	F	RJ-45 Bulkhead passthrough with backside RJ-45 jack			
571-1546414-4	1546414-4	G	RJ-45 Bulkhead passthrough with 12" of patch cord			
571-1-1546415-1	1-1546415-1	F	RJ-11 Bulkhead passthrough with backside RJ-11 jack			

FEMALE-TO-FEMALE ADAPTER

For quantities greater than listed, call for quote.

MOUSER STOCK NO.	TE Part No.	Fig.	Description	Price Each		
				1	5	10
571-1546574-1	1546574-1	H	Female-to-Female Adapter			

FIELD-ATTACHABLE PLUG

Assemble the connection in the field using a standard crimping tool, and still enjoy the same IP67 sealed connection as the overmolded cordset.

For quantities greater than listed, call for quote.

MOUSER STOCK NO.	TE Part No.	Fig.	Description	Price Each		
				1	5	10
571-1546440-1	1546440-1	I	0.1-0.26 (2.5-6.5) acceptable cable diameter			

IP67 COMMON CORE CONNECTORS

TE now offers an IP67 field installable RJ45 connector. Utilizing our already existing "common core" design, the product can be applied in the field without the use of a tool.

For quantities greater than listed, call for quote.

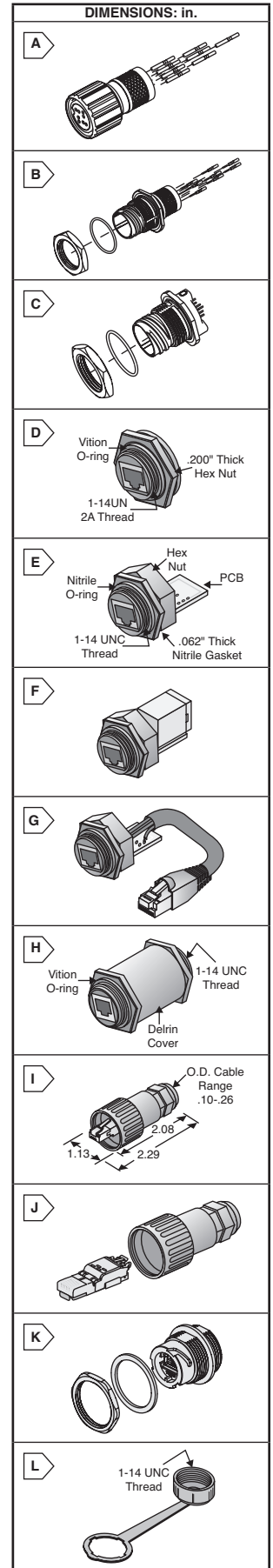
MOUSER STOCK NO.	TE Part No.	Fig.	Description	Price Each		
				1	5	10
571-1954656-1	1954656-1	J	4 Position Plug Kit			
571-1954656-2	1954656-2	J	8 Position Plug Kit			
571-1811689-1	1811689-1	K	Shielded Receptacle Kit			

CLOSURE CAPS

Maintains better sealing integrity when a connector is not mated with the receptacle.

For quantities greater than listed, call for quote.

MOUSER STOCK NO.	TE Part No.	Fig.	Description	Price Each		
				1	5	10
571-1-1546406-1	1-1546406-1	L	For receptacles, IP67 rated (with 3.63 lanyard)			
571-1-1546407-1	1-1546407-1	L	For receptacles, IP65 rated			
571-1-1546408-1	1-1546408-1	L	For plug cordset, IP67 rated (with 3.63 lanyard)			



Data/Network/Telecom TE Connectivity

SERIES 45 ETHERNET CPC (CIRCULAR PLASTIC CONNECTOR)

RoHS Compliant This page of product is compliant.

This series of CPC products accepts RJ45 inserts. The same CPC performance interface that is widely accepted over many markets has been expanded to handle Ethernet communications through Category 5 and 5e requirements.

Applications:

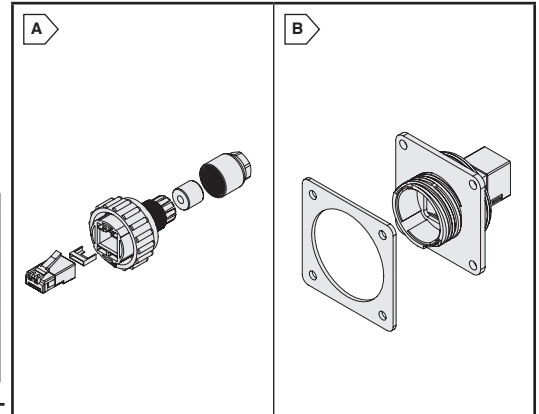
- Industrial machinery, Diagnostic equipment, Communications equipment, Printers, and any potential application where Ethernet is used when the connector requirement calls for a sealed, rugged connector interface.

Features:

- For Category 5 and 5e cables
- Sealing performance per IP67
- Protective sealing cap available for the receptacles
- Available pass-through and field installable receptacle styles
- Positive lock coupling ring provides for reliable connections

For quantities greater than listed, call for quote.

MOUSER STOCK NO.	TE Part No.	Fig.	Description	Price Each		
				1	5	10
571-1546907-1	1546907-1	A	Shielded Plug Kit, Solid Wire			
571-1546907-2	1546907-2	A	Shielded Plug Kit, Stranded Wire			
571-1546876-1	1546876-1	A	Unshielded Plug Kit, Solid Wire			
571-1546876-2	1546876-2	A	Unshielded Plug Kit, Stranded Wire			
571-1986172-1	1986172-1	B	Shielded Receptacle Kit, Pass Through			
571-1546908-1	1546908-1	B	Shielded Receptacle Kit, Wire Terminated			
571-1776186-1	1776186-1	B	Unshielded Receptacle Kit, Pass Through			
571-1546877-1	1546877-1	B	Unshielded Receptacle Kit, Wire Terminated			



INDUSTRIAL CIRCULAR ETHERNET CONNECTORS (ODVA)

This rugged connector series meets the Ethernet/IP RJ45 requirements/standards. Designed for use in harsh environments, connector features a quick-connect bayonet coupling mechanism per the ODVA interoperability interface specification.

Applications:

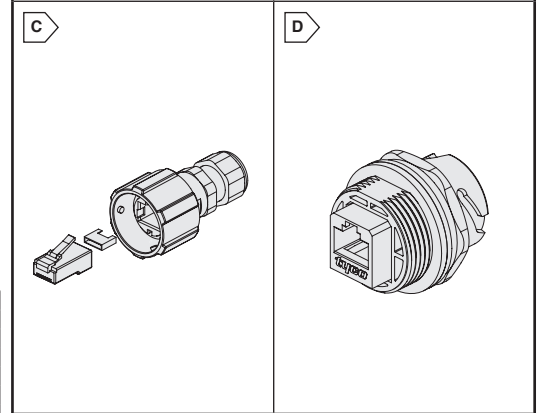
- Industrial machinery, Diagnostic equipment, Communications equipment, Printers and any potential application where Ethernet is used where the connector requirement calls for a sealed, rugged connector interface.
- Harsh environments where chemicals, corrosive gases and liquids are commonplace
- Inside and outside industrial plant and equipment that interface with industrial Ethernet networks

Features:

- For Category 5e cables
- Sealing performance per IP67
- Protective cover available for the receptacles
- Positive lock coupling ring provides reliable connections in harsh environments
- Temperature range of -40°C to +85°C

For quantities greater than listed, call for quote.

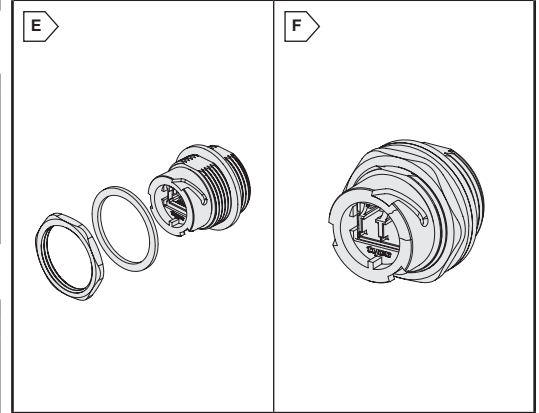
MOUSER STOCK NO.	TE Part No.	Fig.	Description	Price Each		
				1	5	10
571-1738607-1	1738607-1	C	Solid Wire Plug Kit			
571-1738607-2	1738607-2	C	Shielded Wire Plug Kit			
571-1738601-1	1738601-1	D	Receptacle Kit			
571-1776900-1	1776900-1	E	PCB Mount Receptacle Kit			
571-1738611-1	1738611-1	-	Protective Cover Assembly			



IP67 Metal Shell ODVA-Compliant Industrial Ethernet Connectors

For quantities greater than listed, call for quote.

MOUSER STOCK NO.	TE Part No.	Fig.	Description	Price Each		
				1	5	10
571-2008611-1	2008611-1	C	Unshielded Plug Kit for Stranded Wire			
571-2008611-2	2008611-2	C	Shielded Plug Kit for Solid Wire			
571-2008614-1	2008614-1	C	Shielded Plug Kit for Stranded Wire			
571-2008614-2	2008614-2	C	Shielded Plug Kit for Solid Wire			
571-2008615-1	2008615-1	D	Receptacle Kit—Unshielded 8 position			
571-2008615-2	2008615-2	D	Receptacle Kit—Shielded 8 position			
571-2008618-1	2008618-1	-	Protective Cap for Receptacle Kit			



Sealed Circular Fiber Optics LC ODVA Connectors

For quantities greater than listed, call for quote.

MOUSER STOCK NO.	TE Part No.	Fig.	Description	Price Each		
				1	5	10
571-1828619-2	1828619-2	F	Single-Mode Fiber Optic Receptacle			
571-1828619-1	1828619-1	F	Multi-Mode Fiber Optic Receptacle			
571-1828740-1	1828740-1	-	Connector Dust Cover			
571-1918177-1	1918177-1	-	Receptacle Dust Cover			

INDUSTRIAL MINI I/O CONNECTOR SYSTEM

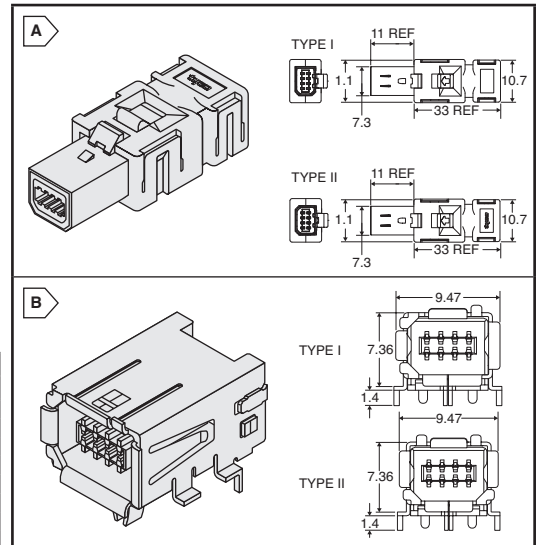
The Industrial Mini I/O connector system is a small, compact, latching, wire-to-board I/O interface is suitable for the stringent demands of an industrial device. The system is most commonly used as an RJ45 replacement. It consists of 8 individual circuits that accommodate I/O signals.

Features:

- Two points on contact interface for increased reliability
- Small compact size
- Latching feature
- Polarized
- Meets CAT5e requirements

For quantities greater than listed, call for quote.

MOUSER STOCK NO.	TE Part No.	Fig.	Description	Price Each		
				1	5	10
571-2013595-3	2013595-3	A	8P Mini I/O Plug Kit Type I Black w/Cover			
571-2040008-1	2040008-1	A	8P Mini I/O Plug Kit Type II Black			
571-2040008-2	2040008-2	A	8P Mini I/O Plug Kit Type II White			
571-2013595-1	2013595-1	A	8P Mini I/O Plug Kit Type I, Black			
571-2040537-1	2040537-1	B	Mini I/O Receptacle T-H Assembly Type I			
571-1-2040537-1	1-2040537-1	B	Mini I/O Receptacle T-H Assembly Type II			
571-1981080-1	1981080-1	B	Mini I/O Receptacle SMT Assembly Type I			
571-1981386-1	1981386-1	B	Mini I/O Receptacle SMT Assembly Type II			



Data/Network/Telecom

TE Connectivity

AMPHENOL® Renewable Energy Connectors

Amphenol®



This product is RoHS compliant.

ePOWER CONNECTORS

- IP2X on pin and socket
- Environmental IP67 rating
- Two HVL circuits
- 1000Vdc rating
- Integrated EMI shielding
- Radsok Technology
- 11.1mm RADSOK® technology for 300 to 400A current capability
- Strain relief for jacketed cable incorporated into shell
- Excellent vibration resistance
- All aluminum shell
- Multiple wire size capability: from 50mm² to 95mm²

MOUSER STOCK NO.	Amphenol Part No.	Fig.	Amps	No. of Pos.	Wire Size	Price Each	
						1	5
Plugs							
654-EP223511	EP223511	A	200A	2	35mm ²		
654-EP233511	EP233511	A	200A	3	35mm ²		
654-EP427011	EP427011	A	400A	2	70mm ²		
654-EP437011	EP437011	A	400A	3	70mm ²		
Receptacles							
654-ER22BB11	ER22BB11	A	200A	2	Busbar		
654-ER23BB11	ER23BB11	A	200A	3	Busbar		
654-ER42BB11	ER42BB11	A	400A	2	Busbar		
654-ER43BB11	ER43BB11	A	400A	3	Busbar		

HELIOS H4 SOLAR CONNECTOR

Features and Benefits:

- Meets all new NEC 2008 requirements
- NEC required locking mechanism built into the connector
- Quick and easy secure snap lock mating
- Simple unlocking tool meets NEC requirements
- Radsok Technology
- Long-term UV and Ozone resistance
- Highest current rating in industry
- Low contact resistance means low power loss
- Ready for field assembly
- No assembly required, no small parts to lose

Amphenol's Helios solar products withstand:

- UV
- Ozone
- Hydrolysis
- Oil, chemicals
- Abrasion, corrosion
- Temperature extremes



- IP68
- IEC/CEI
- DIN V

For quantities greater than listed, call for quote.

MOUSER STOCK NO.	Amphenol Part No.	Fig.	Gender	Cable Size	Price Each			
					1	10	25	100
654-H4CPC4DI	H4CPC4DI	B	Mated	12 AWG/4mm ²				
654-H4CFC4DI	H4CFC4DI	B	Female	12 AWG/4mm ²				
654-H4CMC4DI	H4CMC4DI	B	Male	12 AWG/4mm ²				
654-H4CPC6DI	H4CPC6DI	B	Mated	10 AWG/6mm ²				
654-H4CFC6DI	H4CFC6DI	B	Female	10 AWG/6mm ²				
654-H4CMC6DI	H4CMC6DI	B	Male	10 AWG/6mm ²				
654-H4CPC2DI	H4CPC2DI	B	Mated	14 AWG/2.5mm ²				
654-H4CFC2DI	H4CFC2DI	B	Female	14 AWG/2.5mm ²				
654-H4CMC2DI	H4CMC2DI	B	Male	14 AWG/2.5mm ²				

Bulkheads/Panel Mount

For quantities greater than listed, call for quote.

MOUSER STOCK NO.	Amphenol Part No.	Fig.	Gender	Cable Size	Price Each			
					1	10	25	100
654-H4CPM4DI	H4CPM4DI	C	Mated	12 AWG/4mm ²				
654-H4CFM4DI	H4CFM4DI	C	Female	12 AWG/4mm ²				
654-H4CMM4DI	H4CMM4DI	C	Male	12 AWG/4mm ²				
654-H4CPM6DI	H4CPM6DI	C	Mated	10 AWG/6mm ²				
654-H4CFM6DI	H4CFM6DI	C	Female	10 AWG/6mm ²				
654-H4CMM6DI	H4CMM6DI	C	Male	10 AWG/6mm ²				
654-H4CPM2DI	H4CPM2DI	C	Mated	14 AWG/2.5mm ²				
654-H4CFM2DI	H4CFM2DI	C	Female	14 AWG/2.5mm ²				
654-H4CMM2DI	H4CMM2DI	C	Male	14 AWG/2.5mm ²				

Tools

MOUSER STOCK NO.	Amphenol Part No.	Description	Price Each	
			1	5
654-PV-670509-000	PV-670509-000	H4 Strip Tool		
654-PV-670804-000	H4TR0000	H4 Ring Tool		
654-PV-670803-000	H4TW0000	H4 Wrench Tool		

SURLOK™

Features:

- Copper alloy construction
- High ampacity
- Built in locking feature
- Low insertion force
- High cycle durability
- High reliability
- Radsok Technology

Markets:

- Printed circuit boards
- Telecommunications
- Oil and drilling rigs
- Wind and solar power applications
- Heavy equipment
- Medical devices
- Rail/Mass Transit



Compression Lugs

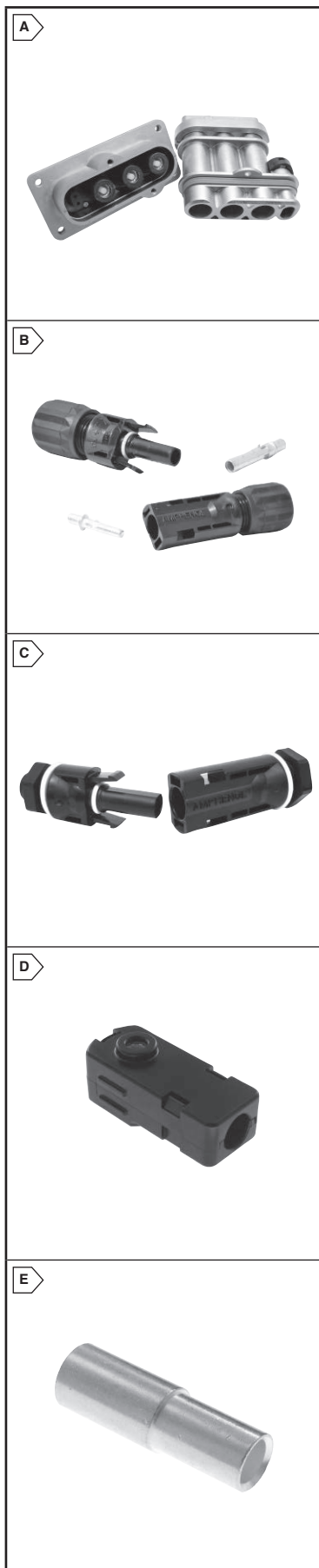
For quantities greater than listed, call for quote.

MOUSER STOCK NO.	Amphenol Part No.	Fig.	Amp	RADSOK Size	Wire Size	Termination	Price Each			
							1	5	10	25
654-PSL-368K	PSL-368K	D	70	3.6mm	8AWG	Threaded Tail				
654-PSL574K	PSL-574K	D	125	5.7mm	4AWG	Tapped Screw End				
654-10-665611-000	10-665611-000	E	-	5.7mm	-	-				
654-PSL-802K	PSL-802K	D	175	8.0mm	2AWG	Tapped Screw End				
654-PSL-801K	PSL-801K	D	200	8.0mm	1AWG	Tapped Screw End				
654-PSL-10320	PSL-10320	D	300	8.0mm	2AWG	Lug Only				
654-PSL-10320K	PSL-10320K	D	300	10.3mm	2/0AWG	Tapped Screw End				

Pins

For quantities greater than listed, call for quote.

MOUSER STOCK NO.	Amphenol Part No.	Fig.	Amp	Pin Dia.	Thread (Male)	Price Each			
						1	5	10	25
654-PSLP-36	PSLP-36	-	70	3.6mm	M3x0.5				
654-PSLP-57	PSLP-57	-	125	5.7mm	M5x0.8				
654-PSLP-80	PSLP-80	-	200	8.0mm	M8x1.25				
654-PSLP-103	PSLP-103	-	300	10.3mm	M10x1.5				



NEW AT MOUSER

NEW AT MOUSER

Photovoltaic (Solar)

Amphenol

NEW AT MOUSER

MINI D RIBBON (MDR) CONNECTORS

- Wiper-on-wiper contact for reliable repetitive plugging
- Interface latch design for connection stability
- Withstanding voltage: 500 Vrms for 1 minute
- Insulation material: Beige glass reinforced polyester (PCT), UL94V-0
- Current rating: 1A
- RoHS Compliant per 3M documentation



.050" Boardmount Thru-Hole Vertical Shielded Receptacles

- Rugged die cast metal case construction
- Screw lockdown for reliable PCB retention
- IEEE 1284C Interface as a 36 contact connector
- Contact material: Copper alloy (C521)
- Plating: 30µ" Gold
- Temperature rating: -20°C to +85°C
- M2.5 thread with screw lock

For quantities greater than listed, call for quote.

MOUSER STOCK NO.	3M Part No.	Fig.	No. of Contacts	Price Each			
				1	25	50	100
517-10214-6212PC	10214-6212PC	A	14				
517-10220-6212PC	10220-6212PC	A	20				
517-10226-6212PC	10226-6212PC	A	26				
517-10236-6212PC	10236-6212PC	A	36				
517-10240-6212PC	10240-6212PC	A	40				
517-10250-6212PC	10250-6212PC	A	50				
517-10268-6212PC	10268-6212PC	A	68				
517-10280-6212PC	10280-6212PC	A	80				
517-102A0-6212PC	102A0-6212PC	A	100				

.050" Boardmount Compliant Pin Vertical Shielded Receptacles

- Rugged die cast metal case construction
- Contact material: Copper alloy (C521)
- Plating: 30µ" Gold
- Temperature rating: -20°C to +85°C
- M2.5 thread

For quantities greater than listed, call for quote.

MOUSER STOCK NO.	3M Part No.	Fig.	No. of Contacts	1	25	50	100
517-10214-R21TS	10214-R21TS	B	14				
517-10226-R21TS	10226-R21TS	B	26				
517-10236-R21TS	10236-R21TS	B	36				

.050" Surface Mount Right Angle Die Cast Shielded Connector

- Weight-balanced die-cast body resists tipping during automated soldering operations
- MDR digital LCD interface as a 20 or 26 contact connector
- Ultra-low signal skew for high data rate transmission
- Suitable for thumbscrew attach
- Tail length: .134mm

For quantities greater than listed, call for quote.

MOUSER STOCK NO.	3M Part No.	Fig.	No. of Contacts	1	25	50	100
517-10226-1S10PE	10226-1S10PE	C	26				

.050" Surface Mount Right Angle Shielded Receptacles

- Ultra-low signal skew for high data rate transmission
- MDR digital LCD interface as a 20 or 26 contact connector
- Contact material: Copper alloy (C521)
- Plating: 20µ" Gold
- Temperature rating: -55°C to +105°C
- Tail length: .165mm

* Plating: 30µ" Gold; Tail length: .15mm

For quantities greater than listed, call for quote.

MOUSER STOCK NO.	3M Part No.	Fig.	No. of Contacts	1	25	50	100
* 517-10226-1A10PE	10226-1A10PE	C	26				
517-10214-1210PE	10214-1210PE	C	14				
517-10220-1210PE	10220-1210PE	C	20				
517-10226-1210PE	10226-1210PE	C	26				
517-10250-1210PE	10250-1210PE	C	50				

.050" Surface Mount Vertical Shielded Receptacle

- IEEE 1284C Interface as a 36 contact connector
- Contact material: Copper alloy (C521)
- Plating: 30µ" Gold
- Temperature rating: -55°C to +105°C
- Tail length: .091mm

For quantities greater than listed, call for quote.

MOUSER STOCK NO.	3M Part No.	Fig.	No. of Contacts	1	25	50	100
517-10226-2210PE	10226-2210PE	D	26				

.050" IDC Wiremount Panel Mount Shielded Receptacles

- Wire Accommodation: 28AWG stranded, 30 AWG solid
- IEEE 1284C Interface as a 36 contact connector
- Contact material: Beryllium copper (C172)
- Plating: 30µ" Gold
- Temperature rating: -20°C to +85°C

For quantities greater than listed, call for quote.

MOUSER STOCK NO.	3M Part No.	Fig.	No. of Contacts	1	25	50	100
517-10220-0210EC	10220-0210EC	E	20				
517-10226-0210EC	10226-0210EC	E	26				
517-10250-0210EC	10250-0210EC	E	50				

.050" Shielded Solder Plug Connectors

- Solder cup termination requires no special tooling
- Accepts a wide variety of discrete wire (24 to 30AWG)
- Contact material: Copper alloy (C521)
- Plating: 20µ" Gold
- Temperature rating: -55°C to +105°C

For quantities greater than listed, call for quote.

MOUSER STOCK NO.	3M Part No.	Fig.	No. of Contacts	1	25	50	100
517-10114-3000PE	10114-3000PE	F	14				
517-10120-3000PE	10120-3000PE	F	20				
517-10126-3000PE	10126-3000PE	F	26				
517-10136-3000PE	10136-3000PE	F	36				
517-10150-3000PE	10150-3000PE	F	50				

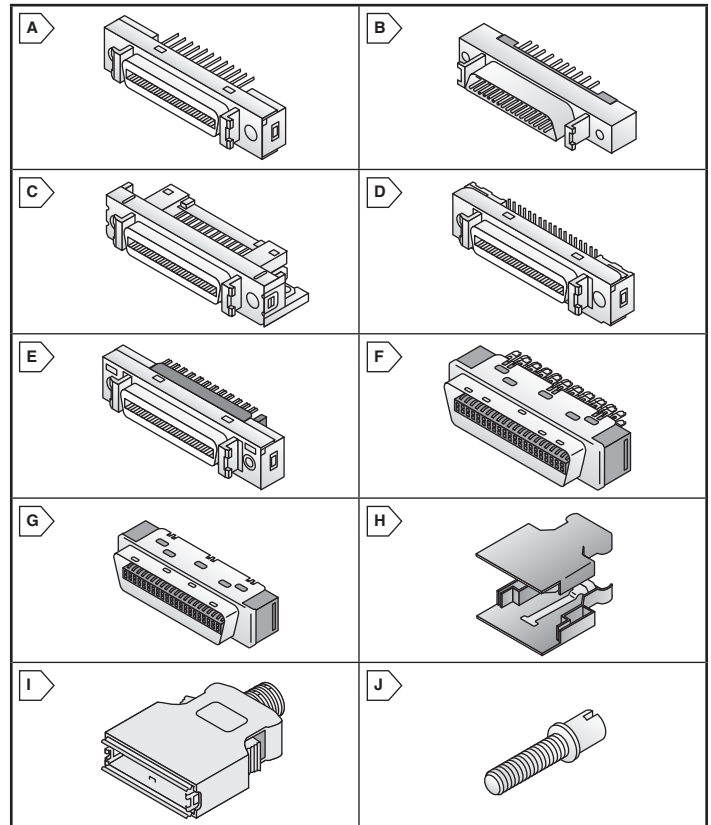
.050" IDC Wiremount Shielded Plug Connectors

- MDR digital LCD interface as a 20 or 26 contact connector
- IEEE 1284C Interface as a 36 contact connector
- Wire accommodation: 28AWG stranded, 30AWG solid
- Contact material: Beryllium copper (C172)
- Plating: 30µ" Gold
- Temperature rating: -20°C to +85°C

* 26AWG Wire

For quantities greater than listed, call for quote.

MOUSER STOCK NO.	3M Part No.	Fig.	No. of Contacts	1	25	50	100
517-10114-6000EC	10114-6000EC	G	14				
517-10120-6000EC	10120-6000EC	G	20				
517-10126-6000EC	10126-6000EC	G	26				
517-10136-6000EC	10136-6000EC	G	36				
517-10140-6000EC	10140-6000EC	G	40				
517-10150-6000EC	10150-6000EC	G	50				
517-10168-6000EC	10168-6000EC	G	68				
* 517-10168-6010EC	10168-6010EC	G	68				
517-10180-6000EC	10180-6000EC	G	80				
517-101A0-6000EC	101A0-6000EC	G	100				



MINI D RIBBON (MDR) JUNCTION SHELLS AND ACCESSORIES

Non-Shielded Plastic Solder Plug Junction Shells

- Compatible with 101xx-3000PE plug connectors
- Design features durable two-piece backshell with ground strap

For quantities greater than listed, call for quote.

MOUSER STOCK NO.	3M Part No.	Fig.	No. of Contacts	Price Each			
				1	25	50	100
517-10314-52F0-008	10314-52F0-008	H	14				
517-10320-52F0-008	10320-52F0-008	H	20				
517-10326-52F0-008	10326-52F0-008	H	26				
517-10336-52F0-008	10336-52F0-008	H	36				
517-10350-52F0-008	10350-52F0-008	H	50				

Black Non-Shielded Shell Kits

- Compatible with 101xx-3000PE plug connectors
- Durable two sided shell without grounding strap

For quantities greater than listed, call for quote.

MOUSER STOCK NO.	3M Part No.	Fig.	No. of Contacts	1	25	50	100
517-10320-52A0-008	10320-52A0-008	H	20				
517-10336-52A0-008	10336-52A0-008	H	36				
517-10350-52A0-008	10350-52A0-008	H	50				

Plastic Shielded Junction Shells for Round Cable

- Compatible with 101xx-6000EC plug connectors
- Durable one piece plastic over two piece metal junction shell for straight round cable
- Quick release latching mechanism

For quantities greater than listed, call for quote.

MOUSER STOCK NO.	3M Part No.	Fig.	No. of Contacts	1	25	50	100
517-10314-3210-000	10314-3210-000	I	14				
517-10320-3210-000	10320-3210-000	I	20				
517-10326-3210-000	10326-3210-000	I	26				
517-10336-3210-000	10336-3210-000	I	36				
517-10350-3210-000	10350-3210-000	I	50				
517-10368-3210-000	10368-3210-000	I	68				

Jack Sockets

- Package of Two
- Thread Size: M2.5/#4-40
- Stainless Steel
- 2.5 inch/lbs.

For quantities greater than listed, call for quote.

MOUSER STOCK NO.	3M Part No.	Fig.	Thread Length	Socket Length	Price Each			
					1	25	50	100
517-3341-13	3341-13-KIT	J	.35"	.27"				
517-3341-31	3341-31-KIT	J	.40"	.12"				
517-3341-32	3341-32-KIT	J	.50"	.27"				

3M™ IDC D-Subminiature Connectors



This product is RoHS compliant.

D-SUB CONNECTORS

Available in preassembled or two piece covers. Improved metal strain relief hooks directly to metal shell - Ordered Separately.

Features:

- Low profile
- Insulation Material: Glass Filled Polyester (PBT)
- Flammability: UL94V-0
- Insulation Color: Gray
- Contact Material: Copper alloy
- Contact Plating: 30µ" Gold
- Shell Material: Steel
- Shell Plating: Tin
- Wire Accommodation: 26 and 28AWG solid or stranded
- Current Rating: 1A
- Withstanding Voltage: 1000Vrms @ Sea level
- Temperature Rating: -15°C to +105°C
- RoHS Compliant per 3M documentation



Plugs - 8200 Series

For quantities greater than listed, call for quote.

MOUSER STOCK NO.	3M Part No.	Fig.	No. of Contacts	Mounting Style	Price Each			
					1	25	50	100
Open Two-Piece Cover								
517-8209-6000	8209-6000	A	9	Unthreaded Insert				
517-8215-6000	8215-6000	A	15	Unthreaded Insert				
517-8225-6000	8225-6000	A	25	Unthreaded Insert				
517-8237-6000	8237-6000	A	37	Unthreaded Insert				
517-8209-6003	8209-6003	A	9	4-40 UNC Threaded Insert				
517-8215-6003	8215-6003	A	15	4-40 UNC Threaded Insert				
517-8225-6003	8225-6003	A	25	4-40 UNC Threaded Insert				
517-8237-6003	8237-6003	A	37	4-40 UNC Threaded Insert				
Open Preassembled Cover Without Adhesive								
517-8209-8000	8209-8000	B	9	Unthreaded Insert				
517-8215-8000	8215-8000	B	15	Unthreaded Insert				
517-8225-8000	8225-8000	B	25	Unthreaded Insert				
517-8237-8000	8237-8000	B	37	Unthreaded Insert				

Sockets - 8300 Series

For quantities greater than listed, call for quote.

MOUSER STOCK NO.	3M Part No.	Fig.	No. of Contacts	Mounting Style	Price Each			
					1	25	50	100
Open Two-Piece Cover								
517-8309-6000	8309-6000	C	9	Unthreaded Insert				
517-8315-6000	8315-6000	C	15	Unthreaded Insert				
517-8325-6000	8325-6000	C	25	Unthreaded Insert				
517-8337-6000	8337-6000	C	37	Unthreaded Insert				
517-8309-6003	8309-6003	C	9	4-40 UNC Threaded Insert				
517-8315-6003	8315-6003	C	15	4-40 UNC Threaded Insert				
517-8325-6003	8325-6003	C	25	4-40 UNC Threaded Insert				
517-8337-6003	8337-6003	C	37	4-40 UNC Threaded Insert				
Open Preassembled Cover Without Adhesive								
517-8309-8000	8309-8000	D	9	Unthreaded Insert				
517-8315-8000	8315-8000	D	15	Unthreaded Insert				
517-8325-8000	8325-8000	D	25	Unthreaded Insert				
517-8337-8000	8337-8000	D	37	Unthreaded Insert				

STRAIN RELIEFS

• RoHS compliant per 3M documentation

For quantities greater than listed, call for quote.

MOUSER STOCK NO.	3M Part No.	Description	Price Each			
			1	25	50	100
517-3448-8D09A	3448-8D09A	9 Pin Strain Relief				
517-3448-8D15A	3448-8D15A	15 Pin Strain Relief				
517-3448-8D25A	3448-8D25A	25 Pin Strain Relief				
517-3448-8D37A	3448-8D37A	37 Pin Strain Relief				

TOOLS

For quantities greater than listed, call for quote.

MOUSER STOCK NO.	3M Part No.	Description	Price Each	
			1	5
517-3640	3640	Press		
517-3442-9	3442-9	Platen for 9, 15, 25, 37 Pin Socket Connectors		

METAL D-SUB CONNECTOR EMI HOODS

Designed to fit the 3M 8200 and 8300 series D-Sub connectors listed above.

Features:

- Provides EMI/ESD protection
- Provides option in grounding for discrete wire applications
- Light weight, compact design
- Color: Black
- Flammability: UL94V-0
- Material: Steel
- Plating: Nickel
- Cover Nut Material: Glass Filled Polyester (PBT)
- RoHS Compliant per 3M documentation

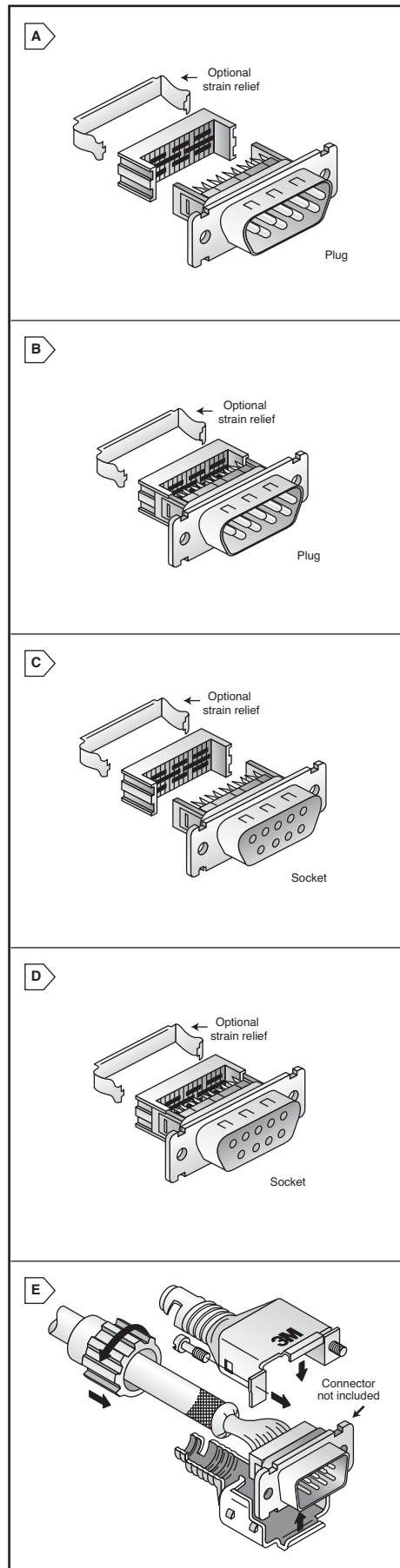
For quantities greater than listed, call for quote.

MOUSER STOCK NO.	3M Part No.	Fig.	Description	Price Each			
				1	25	50	100
517-3357-9209	3357-9209	E	Use with 9 pin d-sub				
517-3357-9215	3357-9215	E	Use with 15 pin d-sub				
517-3357-9225	3357-9225	E	Use with 25 pin d-sub				
517-3357-9237	3357-9237	E	Use with 37 pin d-sub				

ACCESSORIES

For quantities greater than listed, call for quote.

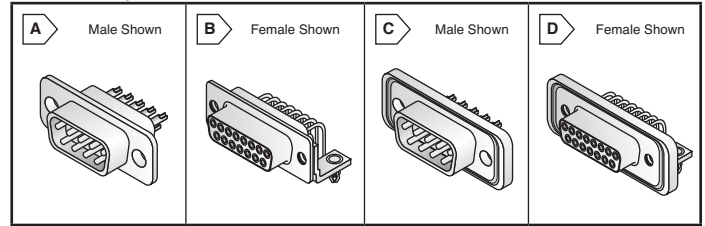
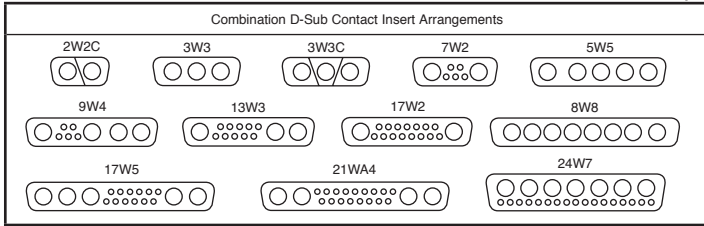
MOUSER STOCK NO.	3M Part No.	Description	Price Each			
			1	25	50	100
517-3341-7	3341-7-KIT	Thumb Screw Kit				
517-3808-ER	3808-ER	Retainer Ring				



CONEC D-Subminiature Connectors



This product is RoHS compliant.



COMBINATION D-SUBS

- Shell: Tin Plated Steel
- Mating Cycles: 500
- RoHS Compliant per CONEC documentation
- Insulator: UL94V-0

* 4-40 Threaded insert For quantities greater than listed, call for quote.

MOUSER STOCK NO.	CONEC Part No.	Contact Arrangement	Price Each		
			1	10	100
Crimp Style - Female - Contacts Sold Separately					
706-302W2CSXX99A10X	302W2CSXX99A10X	2W2C			
* 706-302W2CSXX99A30X	302W2CSXX99A30X	2W2C			
706-303W3CSXX99A10X	303W3CSXX99A10X	3W3C			
* 706-303W3CSXX99A30X	303W3CSXX99A30X	3W3C			
706-3003W3SXX99A10X	3003W3SXX99A10X	3W3			
* 706-3003W3SXX99A30X	3003W3SXX99A30X	3W3			
706-3005W5SXX99A10X	3005W5SXX99A10X	5W5			
* 706-3005W5SXX99A30X	3005W5SXX99A30X	5W5			
706-3008W8SXX99A10X	3008W8SXX99A10X	8W8			
* 706-3008W8SXX99A30X	3008W8SXX99A30X	8W8			
Crimp Style - Male - Contacts Sold Separately					
706-302W2CPXX99A10X	302W2CPXX99A10X	2W2C			
706-303W3CPXX99A10X	303W3CPXX99A10X	3W3C			
706-3003W3PXX99A10X	3003W3PXX99A10X	3W3			
706-3005W5PXX99A10X	3005W5PXX99A10X	5W5			
706-3008W8PXX99A10X	3008W8PXX99A10X	8W8			
Solder Cup - Female - Power Contacts Sold Separately					
706-3007W2SCM99A10X	3007W2SCM99A10X	7W2			
* 706-3007W2SCM99A30X	3007W2SCM99A30X	7W2			
706-3009W4SCM99A10X	3009W4SCM99A10X	9W4			
* 706-3009W4SCM99A30X	3009W4SCM99A30X	9W4			
706-3017W2SCM99A10X	3017W2SCM99A10X	17W2			
* 706-3017W2SCM99A30X	3017W2SCM99A30X	17W2			
706-3013W3SCM99A10X	3013W3SCM99A10X	13W3			
* 706-3013W3SCM99A30X	3013W3SCM99A30X	13W3			
706-3017W5SCM99A10X	3017W5SCM99A10X	17W5			
* 706-3017W5SCM99A30X	3017W5SCM99A30X	17W5			
706-321WA4SCM99A10X	321WA4SCM99A10X	21WA4			
* 706-321WA4SCM99A30X	321WA4SCM99A30X	21WA4			
706-3024W7SCM99A10X	3024W7SCM99A10X	24W7			
* 706-3024W7SCM99A30X	3024W7SCM99A30X	24W7			
Solder Cup - Male - Power Contacts Sold Separately					
706-3007W2PCM99A10X	3007W2PCM99A10X	7W2			
706-3009W4PCM99A10X	3009W4PCM99A10X	9W4			
706-3017W2PCM99A10X	3017W2PCM99A10X	17W2			
706-3013W3PCM99A10X	3013W3PCM99A10X	13W3			
706-321WA4PCM99A10X	321WA4PCM99A10X	21WA4			
706-3024W7PCM99A10X	3024W7PCM99A10X	24W7			
PC Mount - Female - Right Angle					
706-302W2CSXX56N40X	302W2CSXX56N40X	2W2C			
706-3008W8SXX56N40X	3008W8SXX56N40X	8W8			
706-3007W2SCT56N40X	3007W2SCT56N40X	7W2			
706-3017W2SCT56N40X	3017W2SCT56N40X	17W2			
706-3013W3SCT56N40X	3013W3SCT56N40X	13W3			

HIGH POWER CONTACTS

- Contacts: Copper Alloy with Gold over Nickel
- For quantities greater than listed, call for quote.

MOUSER STOCK NO.	CONEC Part No.	Current	Wire Range	Price Each		
				1	10	100
Female - Crimp						
706-132C11019X	132C11019X	10A	16-20AWG			
706-132C11029X	132C11029X	20A	12-14AWG			
706-132C11039X	132C11039X	30A	10-12AWG			
706-132C11049X	132C11049X	40A	8-10AWG			
Male - Crimp						
706-131C11019X	131C11019X	10A	16-20AWG			
706-131C11029X	131C11029X	20A	12-14AWG			
706-131C11039X	131C11039X	30A	10-12AWG			
706-131C11049X	131C11049X	40A	8-10AWG			
Female - Solder Cup						
706-132C10019X	132C10019X	10A	16-20AWG			
706-132C10029X	132C10029X	20A	12-14AWG			
706-132C10039X	132C10039X	30A	10-12AWG			
706-132C10049X	132C10049X	40A	8-10AWG			
Male - Solder Cup						
706-131C10019X	131C10019X	10A	16-20AWG			
706-131C10029X	131C10029X	20A	12-14AWG			
706-131C10039X	131C10039X	30A	10-12AWG			
706-131C10049X	131C10049X	40A	8-10AWG			

COAX CONTACTS

For quantities greater than listed, call for quote.

MOUSER STOCK NO.	CONEC Part No.	Cable Type	Price Each		
			1	10	100
Female					
706-132J20019X	132J20019X	178, 196, 404			
706-132J20029X	132J20029X	174, 188, 316			
706-132J20049X	132J20049X	58			
706-132J30019X	132J30019X	179, 187			
Male					
706-131J20019X	131J20019X	178, 196, 404			
706-131J20029X	131J20029X	174, 188, 316			
706-131J20049X	131J20049X	58			
706-131J30019X	131J30019X	179, 187			

FILTERED D-SUBS

- Shell: Tin plated Brass/Steel
- Contacts: Copper Alloy with Gold over Nickel
- RoHS Compliant per CONEC documentation

* High Density Version For quantities greater than listed, call for quote.

MOUSER STOCK NO.	CONEC Part No.	Fig.	Number of Positions	Price Each		
				1	10	100
C-Filter Adapter - Male/Female with Jack Screws						
706-243A10050X	243A10050X	---	9			
706-243A10060X	243A10060X	---	15			
* 706-243A10070X	243A10070X	---	25			
Solder Cup - Female - Through Hole						
706-242A26860X	242A26860X	A	9			
706-242A26870X	242A26870X	A	15			
Solder Cup - Female - Threaded Insert						
706-242A27020X	242A27020X	A	9			
706-242A27030X	242A27030X	A	15			
Solder Cup - Male - Through Hole						
706-241A26960X	241A26960X	A	9			
706-241A26970X	241A26970X	A	15			
706-241A26980X	241A26980X	A	25			
Solder Cup - Male - Threaded Insert						
706-241A27120X	241A27120X	A	9			
PCB Mount - Female - Threaded Insert - Right Angle						
706-242A17660X	242A17660X	B	9			
PCB Mount - Male - Threaded Insert - Right Angle						
706-241A16060X	241A16060X	B	9			
706-241A16070X	241A16070X	B	15			
PCB Mount - Female - Threaded Spacer Clip - Vertical						
706-242A15030X	242A15030X	A	9			
706-242A15050X	242A15050X	A	25			

WATER RESISTANT D-SUBS

- Shell: Tin plated Brass/Steel
- Contacts: Copper Alloy with Gold over Nickel
- Operating Temperature: -40°C to +105°C
- Voltage: 125V
- RoHS Compliant per CONEC documentation
- IP67
- Current: 5A

For quantities greater than listed, call for quote.

MOUSER STOCK NO.	CONEC Part No.	Fig.	No. of Positions	Price Each		
				1	10	100
Solder Cup - Female						
706-6STD09SCM99B30X	6STD09SCM99B30X	C	9			
706-6STD15SCM99B30X	6STD15SCM99B30X	C	15			
706-6STD25SCM99B30X	6STD25SCM99B30X	C	25			
Solder Cup - Male - PCB Mount - Die Cast						
706-6STD09PCM99B30X	6STD09PCM99B30X	C	9			
706-6STD25PCM99B30X	6STD25PCM99B30X	C	25			
Solder Cup - Male - Sealed - No Frame						
706-4STD09PCM99A10X	4STD09PCM99A10X	A	9			
706-4STD25PCM99A10X	4STD25PCM99A10X	A	25			
Solder Pin - Female - Right Angle						
706-6STD09SCT99S40X	6STD09SCT99S40X	D	9			
706-6STD15SCT99S40X	6STD15SCT99S40X	D	15			
Hoods						
706-165X14819XE	165X14819XE	---	9			
706-165X14829XE	165X14829XE	---	15			

CONEC D-Sub Hardware and Accessories

RoHS Compliant This product is RoHS compliant.

CONEC
TECHNOLOGY IN CONNECTORS™

D-SUB HOODS

Plastic Hoods

MOUSER STOCK NO.	CONEC Part No.	Fig.	Number of Positions	Price Each		
				1	10	100
Shielded - Side Entry						
706-165X00789XE	165X00789XE	A	15			
Straight Entry - Black						
706-165X10139XE	165X10139XE	B	9			
706-165X10149XE	165X10149XE	B	15			
706-165X10159XE	165X10159XE	B	25			
706-165X10169XE	165X10169XE	B	37			
706-165X10179XE	165X10179XE	B	50			
706-165X10389XE	165X10389XE	B	9			
706-165X10419XE	165X10419XE	B	37			
706-165X10429XE	165X10429XE	B	50			
Straight Entry - Metalized						
706-165X10909XE	165X10909XE	B	9			
706-165X10919XE	165X10919XE	B	15			
706-165X10929XE	165X10929XE	B	25			
Top Entry - Gray						
706-165X11869XE	165X11869XE	B	9			
Side Entry - Black						
706-165X10439XE	165X10439XE	C	9			
706-165X10449XE	165X10449XE	C	15			
706-165X10479XE	165X10479XE	C	50			
Dual Entry Gray						
706-165X11889XE	165X11889XE	D	25			
706-165X11899XE	165X11899XE	D	37			
Dual Entry - Black						
706-165X11239XE	165X11239XE	D	9			
706-165X11249XE	165X11249XE	D	15			
706-165X11259XE	165X11259XE	D	25			
706-165X11269XE	165X11269XE	D	37			
Dual Entry with Slidelock						
706-165X11279XE	165X11279XE	D	9			
706-165X11289XE	165X11289XE	D	15			
706-165X11299XE	165X11299XE	D	25			
706-165X11309XE	165X11309XE	D	37			
Dual Entry with Slidelock - Metalized						
706-165X11319XE	165X11319XE	D	9			
706-165X11339XE	165X11339XE	D	25			
706-165X11349XE	165X11349XE	D	37			
Dual Entry - No Hardware						
706-165X13219XE	165X13219XE	E	9			
706-165X13239XE	165X13239XE	E	25			
For IDC Flat Cable						
706-165X14029XE	165X14029XE	F	25			
Straight Entry - For Combination D-Subs						
706-165X13379XE	165X13379XE	G	15			
706-165X13389XE	165X13389XE	G	25			
706-165X13399XE	165X13399XE	G	37			
706-165X13409XE	165X13409XE	G	50			
Side Entry - For Combination D-Subs						
706-165X13419XE	165X13419XE	H	9			
706-165X13429XE	165X13429XE	H	15			
706-165X13439XE	165X13439XE	H	25			
706-165X13449XE	165X13449XE	H	37			
706-165X13459XE	165X13459XE	H	50			

Metal Hoods

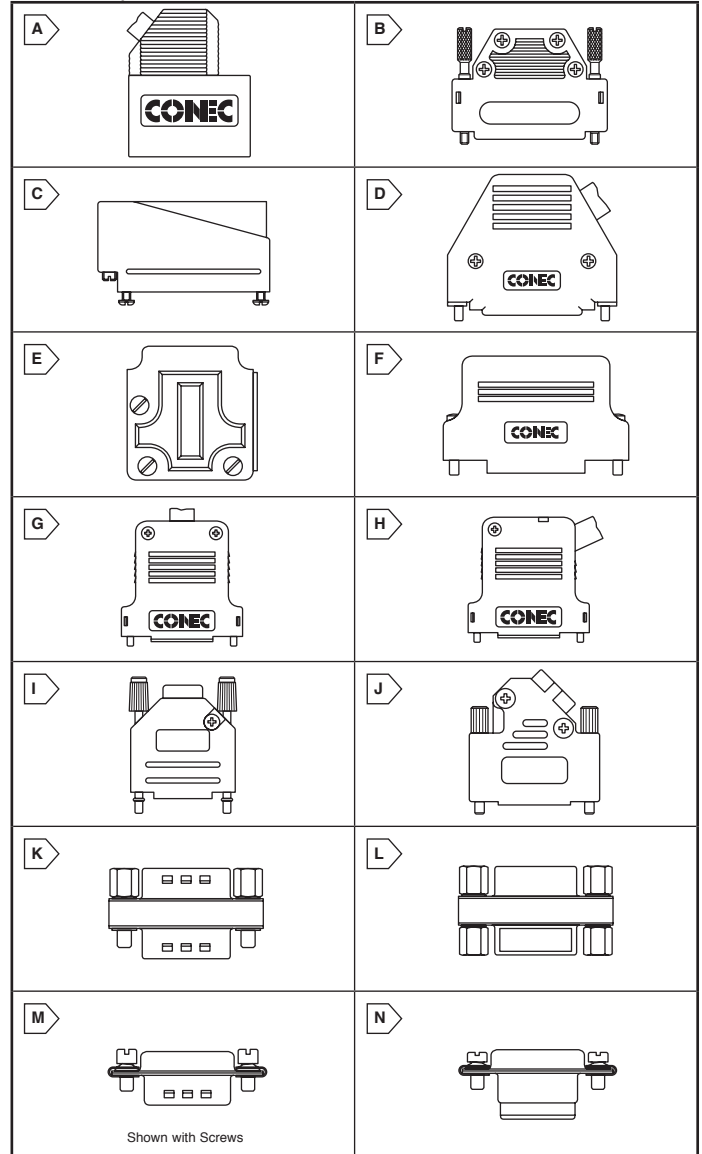
MOUSER STOCK NO.	CONEC Part No.	Fig.	Number of Positions	Price Each		
				1	10	100
Straight Entry						
706-165X02609XE	165X02609XE	I	9			
706-165X02619XE	165X02619XE	I	15			
706-165X02629XE	165X02629XE	I	25			
706-165X02639XE	165X02639XE	I	37			
Side Entry						
706-165X02689XE	165X02689XE	J	9			
706-165X02699XE	165X02699XE	J	15			
706-165X02709XE	165X02709XE	J	25			
706-165X02719XE	165X02719XE	J	37			

GENDER CHANGERS

MOUSER STOCK NO.	CONEC Part No.	Fig.	Number of Positions	Price Each		
				1	10	100
Male/Male						
706-320X12509X	320X12509X	K	9			
706-320X12529X	320X12529X	K	15			
706-320X10549X	320X10549X	K	25			
706-320X12549X	320X12549X	K	37			
Female/Female						
706-320X12519X	320X12519X	L	9			
706-320X12539X	320X12539X	L	15			
706-320X10559X	320X10559X	L	25			
706-320X12559X	320X12559X	L	37			

METAL DUST CAPS

MOUSER STOCK NO.	CONEC Part No.	Fig.	Number of Positions	Price Each		
				1	10	100
Female						
706-165X12969X	165X12969X	M	9			
706-165X12979X	165X12979X	M	15			
Female with Screws						
706-165X16719X	165X16719X	M	9			
706-165X16729X	165X16729X	M	15			
Male						
706-165X13129X	165X13129X	M	9			
Male with Screws						
706-165X16769X	165X16769X	M	9			
706-165X16789X	165X16789X	M	25			



WATER RESISTANT METAL DUST CAPS

MOUSER STOCK NO.	CONEC Part No.	Fig.	Number of Positions	Price Each		
				1	10	100
Female with Screws						
706-165X14719X	165X14719X	M	9			
706-165X14729X	165X14729X	M	15			
Male with Screws						
706-165X14769X	165X14769X	N	9			
706-165X14779X	165X14779X	N	15			

HARDWARE

MOUSER STOCK NO.	CONEC Part No.	Fig.	Number of Positions	Price Each		
				1	10	100
Slidelock with Self Tapping Screws						
706-160X10159X	160X10159X	---	9			
706-160X10169X	160X10169X	---	15			
706-160X10179X	160X10179X	---	25			
Slidelock with 4-40 Screws						
706-160X10689X	160X10689X	---	9			
706-160X10709X	160X10709X	---	25			
Lock for Slidelock - Use with Dual Entry Slidelock Hoods						
706-165X10119X	165X10119X	---	---			
Locking Bolt Set - Use with Slidelocks						
706-160X10209X	160X10209X	---	---			
Hex Locking Screws and Hardware						
706-160X10359X	160X10359X	---	---			
706-160X10329X	160X10329X	---	---			
Screw Locking Clamp						
706-160X10259X	160X10259X	---	---			

NORCOMP D-Sub Connectors



This product is RoHS compliant.

MICRO MINIATURE D-SUB CONNECTORS

Features:

- Available in 3 industry standard sizes (9, 15, 25)
- Vertical board mount, Right Angle board mount, and Cable mount options
- 0.050" (1.27mm) contact spacing
- Less than 1/3 the size of standard D-Subs
- Metal to metal interface for robust mechanical connection and shield effectiveness
- 1 amp contact rating/-55C° to +85C° operating temperature range
- Intermateable with most commercial competitors products



For quantities greater than listed, call for quote.

MOUSER STOCK NO.	NorComp Part No.	Fig.	No. of Pos.	Type	Dimensions (in.)				Price Each					
					A	B	C	D	1	25	50	100		
Vertical Board Mount														
636-380-009-113L001	380-009-113L001	A	9	Male	0.770	0.565	0.200	0.150						
636-380-009-213L001	380-009-213L001	A	9	Female	0.770	0.565	0.200	0.150						
636-380-015-113L001	380-015-113L001	A	15	Male	0.919	0.717	0.350	0.300						
636-380-015-213L001	380-015-213L001	A	15	Female	0.919	0.717	0.350	0.300						
636-380-025-113L001	380-025-113L001	A	25	Male	1.169	0.967	0.600	0.550						
636-380-025-213L001	380-025-213L001	A	25	Female	1.169	0.967	0.600	0.550						
Right Angle Board Mount														
636-381-009-112L565	381-009-112L565	B	9	Male	0.775	0.565	0.303	0.337						
636-381-015-112L565	381-015-112L565	B	15	Male	0.937	0.715	0.303	0.483						
636-381-025-112L565	381-025-112L565	B	25	Male	1.191	0.965	0.303	0.732						
Dual Port Right Angle Board Mount														
636-382-009-112L565	382-009-112L565	C	9	Male	0.784	0.565	0.638	0.339						
636-382-015-112L565	382-015-112L565	C	15	Male	0.941	0.715	0.638	0.483						

Backshell Kits

For quantities greater than listed, call for quote.

MOUSER STOCK NO.	NorComp Part No.	Fig.	No. of Pos.	Type	Dimensions (in.)					Price Each			
					A	B	C	D	E	1	25	50	100
636-960-009-010R011	960-009-010R011	D	9	Female	0.780	1.350	0.395	0.228	0.338				
636-960-015-010R011	960-015-010R011	D	15	Female	0.932	1.367	0.360	0.284	0.338				
636-960-025-010R011	960-025-010R011	D	25	Female	1.195	1.373	0.390	0.331	0.390				

Contacts

For quantities greater than listed, call for quote.

MOUSER STOCK NO.	NorComp Part No.	Description	Price Each			
			1	100	500	1000
636-960-001-170L005	960-001-170L005	Micro-D Female Contacts				

Hand Tool

MOUSER STOCK NO.	NorComp Part No.	Description	Price Each
636-960-702-170-000	960-702-170-000	Hand Tool 30-26AWG	

SOLDER CUP - SERIES 171

Specifications:

- Nickel Shell
- Insulator: Glass-filled thermoplastic, UL94V-0
- Contacts: Male- Brass Pins; Female- Phosphor Bronze Pins
- Plating: Gold flash on the entire contact

Features:

- RoHS Compliant per NorComp documentation
- Non-removable contacts
- Low cost economy series
- Male nickel shells have indents to provide grounding and additional retention
- High performance, stamped contacts

For quantities greater than listed, call for quote.

MOUSER STOCK NO.	NorComp Part No.	Fig.	No. of Pos.	Dimensions (in.)					Price Each					
				A	B	C	D	E	1	25	50	100		
Male														
636-171-009-103L001	171-009-103L001	E	9	1.213	0.984	0.666	0.756	0.496						
636-171-015-103L001	171-015-103L001	E	15	1.543	1.312	0.994	1.091	0.496						
636-171-025-103L001	171-025-103L001	E	25	2.087	1.852	1.534	1.618	0.496						
636-171-037-103L001	171-037-103L001	E	37	2.732	2.500	2.181	2.256	0.496						
636-171-050-103L001	171-050-103L001	E	50	2.638	2.406	2.079	2.169	0.602						
Female														
636-171-009-203L001	171-009-203L001	E	9	1.213	0.984	0.666	0.756	0.496						
636-171-015-203L001	171-015-203L001	E	15	1.543	1.312	0.994	1.091	0.496						
636-171-025-203L001	171-025-203L001	E	25	2.087	1.852	1.534	1.618	0.496						
636-171-037-203L001	171-037-203L001	E	37	2.732	2.500	2.181	2.256	0.496						
636-171-050-203L001	171-050-203L001	E	50	2.638	2.406	2.079	2.169	0.602						

DIP SOLDER - SERIES 171

Specifications:

- Shell: Nickel Plated Steel
- Insulator: Glass-filled thermoplastic, UL94V-0
- Contacts: Male- Brass Pins; Female- Phosphor Bronze Pins
- Plating: Gold flash on the entire contact

Features:

- RoHS Compliant per NorComp documentation
- Non-removable contacts
- Male nickel shells have indents to provide grounding and additional retention
- High performance, stamped contacts

For quantities greater than listed, call for quote.

MOUSER STOCK NO.	NorComp Part No.	Fig.	No. of Pos.	Dimensions (in.)					Price Each					
				A	B	C	D	E	1	25	50	100		
Male														
636-171-009-113R001	171-009-113R001	F	9	1.213	0.984	0.666	0.756	0.496						
636-171-015-113R001	171-015-113R001	F	15	1.543	1.312	0.994	1.091	0.496						
636-171-025-113R001	171-025-113R001	F	25	2.087	1.852	1.534	1.618	0.496						
636-171-037-113R001	171-037-113R001	F	37	2.732	2.500	2.181	2.256	0.496						
Female														
636-171-009-213R001	171-009-213R001	F	9	1.213	0.984	0.666	0.756	0.496						
636-171-015-213R001	171-015-213R001	F	15	1.543	1.312	0.994	1.091	0.496						
636-171-025-213R001	171-025-213R001	F	25	2.087	1.852	1.534	1.618	0.496						
636-171-037-213R001	171-037-213R001	F	37	2.732	2.500	2.181	2.256	0.496						

MICRO-D CABLE ASSEMBLIES

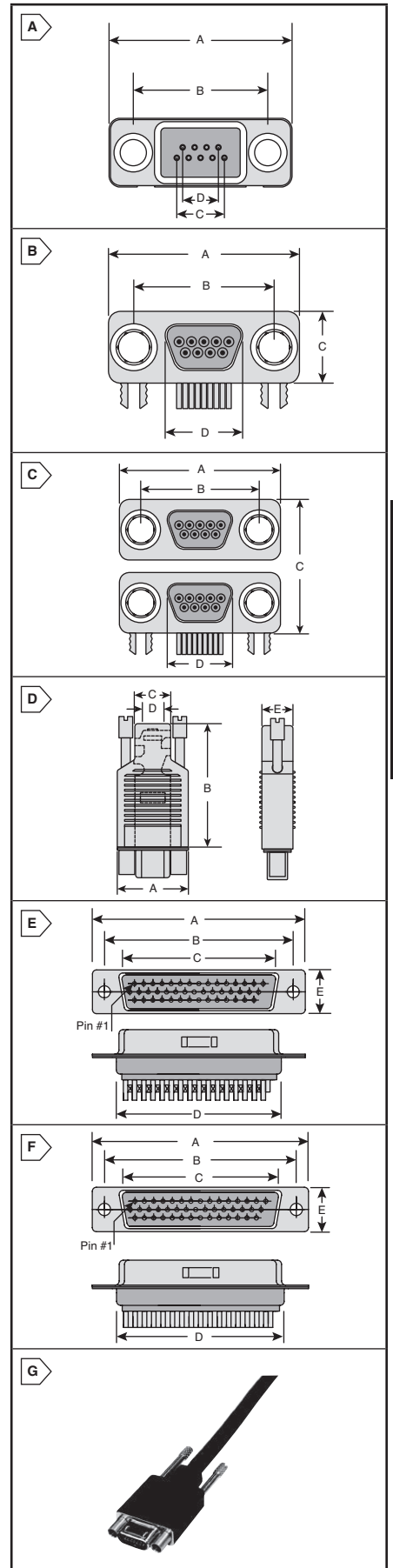
- Available in 3 industry standard sizes/positions (9, 15, 25)
- Micro-miniature size offers economical solutions for commercial applications
- Intermateable with most competitors products
- Metal interface allows grounding for improved mechanical & electrical shield conditions
- Connector body kit with thumbscrews comes pre-assembled onto cable

- Hood: Thermoplastic
- Insulator: Thermoplastic, UL94V-0
- Shield: Steel, Tin Plated
- Thumbscrews: UNC #2-56 I Steel
- Nickel Plated
- Contact: Phosphor Bronze (28AWG)
- Cable: 28AWG [7X36] x9C +Aluminum Foil with Braid 65%, UL2464+CSA, Color: Black



For quantities greater than listed, call for quote.

MOUSER STOCK NO.	NorComp Part No.	Fig.	Gender	No. of Pos.	Length: ft (m)	Price Each			
						1	25	50	100
636-CCA-009-118R152	CCA-009-118R152	G	Female	9	18				
636-CCA-009-172R152	CCA-009-172R152	G	Female	9	72				
636-CCA-015-118R152	CCA-015-118R152	G	Female	15	18				
636-CCA-015-172R152	CCA-015-172R152	G	Female	15	72				
636-CCA-025-118R152	CCA-025-118R152	G	Female	25	18				
636-CCA-025-172R152	CCA-025-172R152	G	Female	25	72				



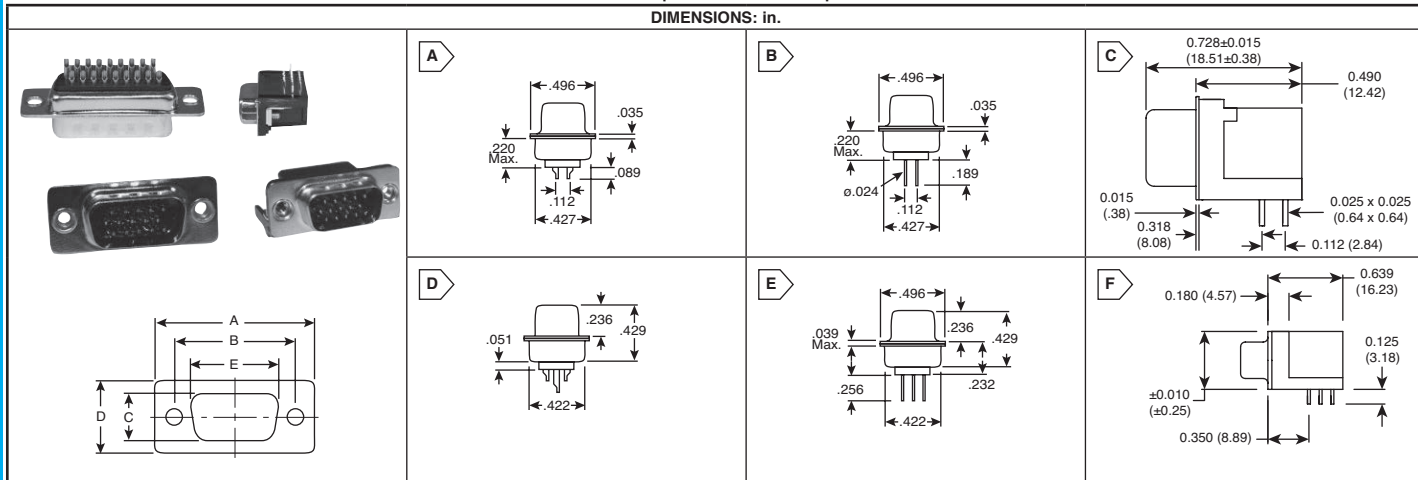
"D" Connectors
NorComp

NORCOMP IP66 SEAL-D™ D-Sub Connectors



RoHS Compliant This product is RoHS compliant.

DIMENSIONS: in.



671 SERIES

Features:

- Available in 3 industry sizes/positions (9, 15, 25) Male/Plug Only
- Meets IEC-529-IP66 Requirements
- Unique sealing method maintains STD D-Sub profile allowing drop in replacement of current D-Sub connectors.
- Non-Removable Contacts

Materials:

- Shell: Steel, Nickel Plated
- Insulator: Glass-filled thermoplastic. U.L. rated 94V-O
- Stamped contacts: Male pins - Brass
- Plating: Gold flash on entire contact

For quantities greater than listed, call for quote.

MOUSER STOCK NO.	NorComp Part No.	Fig.	No. of Positions	Dimensions: in.					Price Each								
				A	B	C	D	E	1	25	50	100	500				
Male - Solder Cup																	
636-671-009-103L001	671-009-103L001	A	9	1.213	0.984	0.329	0.496	0.666									
636-671-015-103L001	671-015-103L001	A	15	1.541	1.312	0.329	0.496	0.994									
636-671-025-103L001	671-025-103L001	A	25	2.083	1.874	0.329	0.496	1.534									
Male - DIP Solder																	
636-671-009-113R001	671-009-113R001	B	9	1.213	0.984	0.329	0.496	0.666									
636-671-015-113R001	671-015-113R001	B	15	1.541	1.312	0.329	0.496	0.994									
636-671-025-113R001	671-025-113R001	B	25	2.083	1.874	0.329	0.496	1.534									

682 SERIES - MALE, RIGHT ANGLE, .318 FOOTPRINT

Features:

- Available in 3 industry sizes/positions (9, 15, 25) Male/Plug Only
- Meets IEC-529-IP66 Requirements
- Unique sealing method maintains STD D-Sub profile allowing drop in replacement of current D-Sub connectors.
- Non-Removable Contacts

Materials:

- Shell: Steel, Nickel Plated
- Insulator: Glass-filled thermoplastic. U.L. rated 94V-O
- Stamped contacts: Male pins - Brass
- Plating: Gold flash on entire contact

For quantities greater than listed, call for quote.

MOUSER STOCK NO.	NorComp Part No.	Fig.	No. of Positions	Dimensions: in.					Price Each				
				A	B	C	D	E	1	25	50	100	500
636-682-009-113R531	682-009-113R531	C	9	1.213	0.984	0.329	0.496	0.666					
636-682-015-113R531	682-015-113R531	C	15	1.541	1.312	0.329	0.496	0.994					
636-682-025-113R531	682-025-113R531	C	25	2.083	1.874	0.329	0.496	1.534					

680 SERIES HIGH DENSITY

Features:

- Available in 3 industry sizes/positions (9, 15, 25) Male/Plug Only
- Meets IEC-529-IP66 Requirements
- Unique sealing method maintains HD D-Sub profile allowing drop in replacement of current HD D-Sub connectors.
- Non-Removable Contacts

Materials:

- Shell: Steel, Nickel Plated
- Insulator: Glass-filled thermoplastic. U.L. rated 94V-O
- Stamped contacts: Male pins - Brass
- Plating: Gold flash on entire contact

For quantities greater than listed, call for quote.

MOUSER STOCK NO.	NorComp Part No.	Fig.	No. of Positions	Dimensions: in.					Price Each								
				A	B	C	D	E	1	25	50	100	500				
High Density Male - Solder Cup																	
636-680-015-103L001	680-015-103L001	D	15	1.213	0.984	0.329	0.496	0.666									
636-680-026-103L001	680-026-103L001	D	26	1.541	1.312	0.329	0.496	0.994									
636-680-044-103L001	680-044-103L001	D	44	2.088	1.852	0.329	0.494	1.534									
High Density Male - DIP Solder																	
636-680-015-113R001	680-015-113R001	E	15	1.213	0.984	0.329	0.496	0.666									
636-680-026-113R001	680-026-113R001	E	26	1.541	1.312	0.329	0.496	0.994									
636-680-044-113R001	680-044-113R001	E	44	2.088	1.852	0.329	0.494	1.534									

681 SERIES HIGH DENSITY - MALE, RIGHT ANGLE

Features:

- Meets IEC-529-IP66 Requirements
- Unique sealing method maintains HD D-Sub profile allowing drop in replacement of current HD D-Sub connectors.
- Non-Removable Contacts

Materials:

- Shell: Steel, Nickel Plated
- Insulator: Glass-filled thermoplastic. U.L. rated 94V-O
- Stamped contacts: Male pins - Brass
- Plating: Gold flash on entire contact

For quantities greater than listed, call for quote.

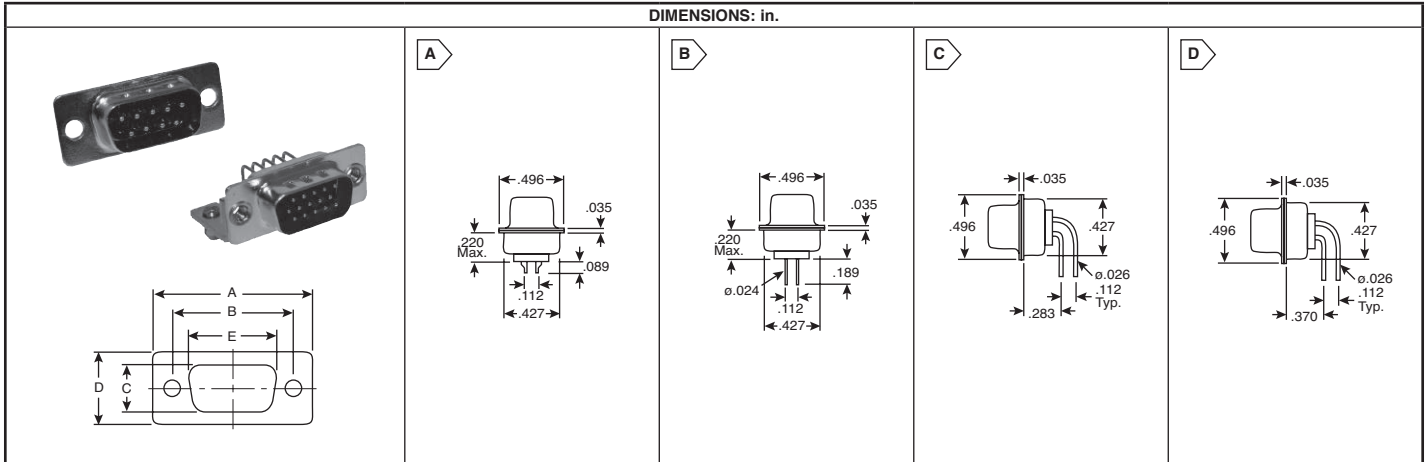
MOUSER STOCK NO.	NorComp Part No.	Fig.	No. of Positions	Dimensions: in.					Price Each				
				A	B	C	D	E	1	25	50	100	500
636-681-015-113R531	681-015-113R531	F	15	1.213	0.984	0.329	0.496	0.666					

NORCOMP IP67 SEAL-D™ D-Sub Connectors



RoHS Compliant This product is RoHS compliant.

DIMENSIONS: in.



NorComp has developed a new line of IP67 SEAL-D™ D-Subs. These connectors utilize a proprietary sealing technology which maintains the same physical size and footprint as standard D-Sub products. This reduces space on new designs, and eliminates the need to redesign enclosures and PC boards when implementing IP67 design upgrades.

Specifications:

- Voltage: 500VAC for 1 minute
- Current rating: 5A
- Contact resistance: 15mOhms Max.
- Operating temperature: -50°C to 100°C
- Wire size for solder cup termination: 26-20 AWG
- Meets IEC-529-IP67 Requirements

Applications:

- Hand held computers, scanners & printers that are used outdoors
- Remote sensors, gauges & data loggers that are exposed to the elements
- Industrial & medical equipment that is routinely subjected to wash down
- Transmitters & emergency beacons that are subject to short term immersion
- Gas, electric & water metering systems with embedded Smart Grid electronics
- Consumer & commercial shipboard electronics, meters and sensors

SOLDER CUP - 772-E SERIES

For quantities greater than listed, call for quote.

MOUSER STOCK NO.	NorComp Part No.	Fig.	No. of Pos.	Dimensions (in.)					Price Each					
				A	B	C	D	E	1	10	25	50	100	
Male														
636-772-E09-103R001	772-E09-103R001	A	9	1.213	0.984	0.329	0.496	0.666						
636-772-E15-103R001	772-E15-103R001	A	15	1.541	1.312	0.329	0.496	0.994						
636-772-E25-103R001	772-E25-103R001	A	25	2.083	1.874	0.329	0.496	1.534						
Male with 0.098" 4-40 Insert, Board Side														
636-772-E09-103R011	772-E09-103R011	A	9	1.213	0.984	0.329	0.496	0.666						
636-772-E15-103R011	772-E15-103R011	A	15	1.541	1.312	0.329	0.496	0.994						
636-772-E25-103R011	772-E25-103R011	A	25	2.083	1.874	0.329	0.496	1.534						
Female														
636-772-E09-203R001	772-E09-203R001	A	9	1.213	0.984	0.311	0.496	0.642						
636-772-E15-203R001	772-E15-203R001	A	15	1.541	1.312	0.311	0.496	0.970						
636-772-E25-203R001	772-E25-203R001	A	25	2.083	1.874	0.311	0.496	1.512						
Female with 0.098" 4-40 Insert, Board Side														
636-772-E09-203R011	772-E09-203R011	A	9	1.213	0.984	0.311	0.496	0.642						
636-772-E15-203R011	772-E15-203R011	A	15	1.541	1.312	0.311	0.496	0.970						

VERTICAL PCB - 772-E SERIES

For quantities greater than listed, call for quote.

MOUSER STOCK NO.	NorComp Part No.	Fig.	No. of Pos.	Dimensions (in.)					Price Each					
				A	B	C	D	E	1	10	25	50	100	
Male														
636-772-E09-113R001	772-E09-113R001	B	9	1.213	0.984	0.329	0.496	0.666						
636-772-E15-113R001	772-E15-113R001	B	15	1.541	1.312	0.329	0.496	0.994						
636-772-E25-113R001	772-E25-113R001	B	25	2.087	1.852	0.329	0.496	1.534						
Male with 0.098" 4-40 Insert, Board Side														
636-772-E09-113R011	772-E09-113R011	B	9	1.213	0.984	0.329	0.496	0.666						
Female														
636-772-E09-213R001	772-E09-213R001	B	9	1.213	0.984	0.329	0.496	0.666						
636-772-E15-213R001	772-E15-213R001	B	15	1.541	1.312	0.329	0.496	0.994						
636-772-E25-213R001	772-E25-213R001	B	25	2.087	1.852	0.329	0.496	1.534						
Female with 0.098" 4-40 Insert, Board Side														
636-772-E09-213R011	772-E09-213R011	B	9	1.213	0.984	0.329	0.496	0.666						
636-772-E15-213R011	772-E15-213R011	B	15	1.541	1.312	0.329	0.496	0.994						

RIGHT ANGLE PCB - 773-E & 774-E SERIES

For quantities greater than listed, call for quote.

MOUSER STOCK NO.	NorComp Part No.	Fig.	No. of Pos.	Dimensions (in.)					Price Each					
				A	B	C	D	E	1	10	25	50	100	
Male - 0.283" Foot Print														
636-773-E09-113R001	773-E09-113R001	C	9	1.213	0.984	0.329	0.496	0.666						
636-773-E15-113R001	773-E15-113R001	C	15	1.541	1.312	0.329	0.496	0.994						
636-773-E25-113R001	773-E25-113R001	C	25	2.087	1.852	0.329	0.496	1.534						
Male - 0.283" Foot Print with 0.098" 4-40 Insert, Board Side														
636-773-E09-113R011	773-E09-113R011	C	9	1.213	0.984	0.329	0.496	0.666						
636-773-E15-113R011	773-E15-113R011	C	15	1.541	1.312	0.329	0.496	0.994						
Male - 0.370" Foot Print														
636-774-E09-113R001	774-E09-113R001	D	9	1.213	0.984	0.329	0.496	0.666						
636-774-E15-113R001	774-E15-113R001	D	15	1.541	1.312	0.329	0.496	0.994						
636-774-E25-113R001	774-E25-113R001	D	25	2.087	1.852	0.329	0.496	1.534						
Male - 0.370" Foot Print with 0.098" 4-40 Insert, Board Side														
636-774-E09-113R011	774-E09-113R011	D	9	1.213	0.984	0.329	0.496	0.666						
636-774-E15-113R011	774-E15-113R011	D	15	1.541	1.312	0.329	0.496	0.994						

NORCOMP IP67 SEAL-D™ D-Sub Connectors



This product is RoHS compliant.

NorComp has developed a new line of IP67 SEAL-D™ D-Subs. These connectors utilize a proprietary sealing technology which maintains the same physical size and footprint as standard D-Sub products. This reduces space on new designs, and eliminates the need to redesign enclosures and PC boards when implementing IP67 design upgrades.

Specifications:

- Voltage: 500VAC for 1 minute
- Current rating: 5 AMPS
- Contact resistance: 15mOhms Max.
- Operating temperature: -50°C to 100°C
- Wire size for solder cup termination: 26-20AWG
- Meets IEC-529-IP67 Requirements

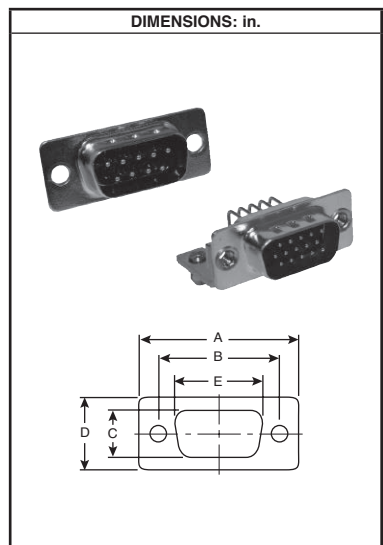
Applications:

- Hand held computers, scanners and printers that are used outdoors
- Remote sensors, gauges and data loggers that are exposed to the elements
- Industrial and medical equipment that is routinely subjected to wash down
- Transmitters and emergency beacons that are subject to short term immersion
- Gas, electric and water metering systems with embedded Smart Grid electronics
- Consumer and commercial shipboard electronics, meters and sensors

SOLDER CUP HIGH DENSITY - 780-M SERIES

For quantities greater than listed, call for quote.

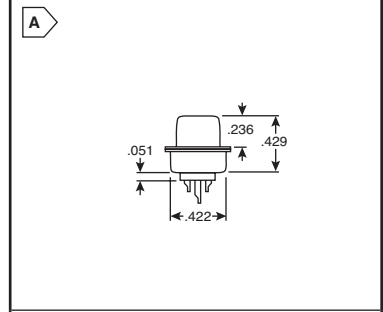
MOUSER STOCK NO.	NorComp Part No.	Fig.	No. of Pos.	Dimensions (in.)					Price Each				
				A	B	C	D	E	1	10	25	50	100
Male													
636-780-M15-103L001	780-M15-103L001	A	15	1.213	0.984	0.329	0.496	0.666					
636-780-M26-103L001	780-M26-103L001	A	26	1.541	1.312	0.329	0.496	0.994					
636-780-M44-103L001	780-M44-103L001	A	44	2.087	1.852	0.329	0.496	1.534					
Male with 0.098" 4-40 Insert, Board Side													
636-780-M15-103L011	780-M15-103L011	A	15	1.213	0.984	0.329	0.496	0.666					
636-780-M44-103L011	780-M44-103L011	A	44	2.087	1.852	0.329	0.496	1.534					
Female													
636-780-M15-203L001	780-M15-203L001	A	15	1.213	0.984	0.381	0.494	0.643					
636-780-M26-203L001	780-M26-203L001	A	26	1.541	1.312	0.381	0.494	0.971					
636-780-M44-203L001	780-M44-203L001	A	44	2.088	1.852	0.381	0.494	1.511					



VERTICAL PCB HIGH DENSITY - 780-M SERIES

For quantities greater than listed, call for quote.

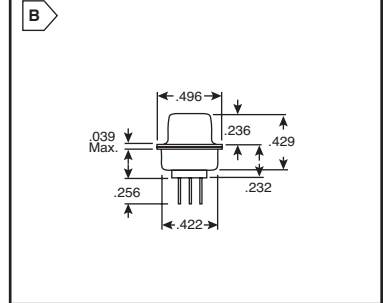
MOUSER STOCK NO.	NorComp Part No.	Fig.	No. of Pos.	Dimensions (in.)					Price Each				
				A	B	C	D	E	1	10	25	50	100
Male													
636-780-M15-113R001	780-M15-113R001	B	15	1.213	0.984	0.329	0.494	0.666					
636-780-M26-113R001	780-M26-113R001	B	26	1.541	1.312	0.329	0.494	0.994					
636-780-M44-113R001	780-M44-113R001	B	44	2.088	1.852	0.329	0.494	1.534					
Male with 0.098" 4-40 Insert, Board Side													
636-780-M15-113R011	780-M15-113R011	B	15	1.213	0.984	0.329	0.494	0.666					
636-780-M26-113R011	780-M26-113R011	B	26	1.541	1.312	0.329	0.494	0.994					
636-780-M44-113R011	780-M44-113R011	B	44	2.088	1.852	0.329	0.494	1.534					
Male with 0.224" 4-40 Board Lock, Board Side													
636-780-M26-113R051	780-M26-113R051	B	26	1.541	1.312	0.329	0.494	0.994					
Female													
636-780-M15-213R001	780-M15-213R001	B	15	1.213	0.984	0.311	0.494	0.643					
636-780-M26-213R001	780-M26-213R001	B	26	1.541	1.312	0.311	0.494	0.971					
636-780-M44-213R001	780-M44-213R001	B	44	2.088	1.852	0.311	0.494	1.511					
Female with 0.098" 4-40 Insert, Board Side													
636-780-M15-213R011	780-M15-213R011	B	15	1.213	0.984	0.311	0.494	0.643					



RIGHT ANGLE PCB HIGH DENSITY- 781-M SERIES

For quantities greater than listed, call for quote.

MOUSER STOCK NO.	NorComp Part No.	Fig.	No. of Pos.	Dimensions (in.)					Price Each				
				A	B	C	D	E	1	10	25	50	100
Male													
636-781-M15-113R001	781-M15-113R001	C	15	1.213	0.984	0.329	0.494	0.666					
636-781-M26-113R001	781-M26-113R001	C	26	1.541	1.312	0.329	0.494	0.994					
Male Bracket with 4-40 Insert, Board Lock and Locator Plate													
636-781-M15-113R141	781-M15-113R141	C	15	1.213	0.984	0.329	0.494	0.666					
636-781-M26-113R141	781-M26-113R141	C	26	1.541	1.312	0.329	0.494	0.994					
636-781-M44-113R141	781-M44-113R141	C	44	2.088	1.852	0.329	0.494	1.534					
Male with 0.098" 4-40 Insert, Board Side													
636-780-M15-203L011	780-M15-203L011	C	15	1.213	0.984	0.329	0.494	0.666					



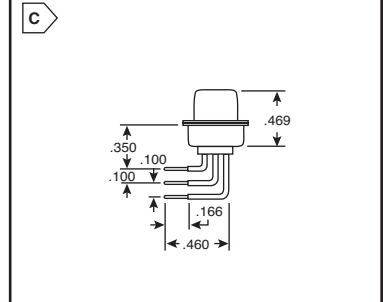
IP-67 SEAL-D® BACKSHELLS

Features:

- Available in 3 industry sizes (9, 15, 25)
- Straight/top entry
- 4-40 thumbscrews supplied with backshell
- Internal bushings and front baffle provide waterproof (IP-67) seal to mating panel

For quantities greater than listed, call for quote.

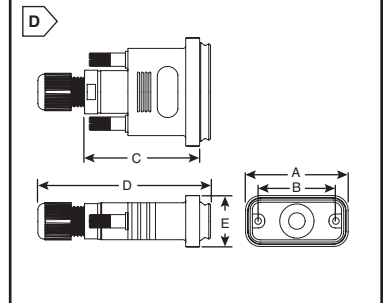
MOUSER STOCK NO.	NorComp Part No.	Fig.	No. of Pos.	Dimensions (in.)					Price Each				
				A	B	C	D	E	1	10	25	50	100
636-967-009-010R011	967-009-010R011	D	9	1.675	0.984	1.783	2.685	0.827					
636-967-015-010R011	967-015-010R011	D	15	2.004	1.311	1.783	2.685	0.827					
636-967-025-010R011	967-025-010R011	D	25	2.543	1.852	1.783	2.685	0.827					



SEALS

For quantities greater than listed, call for quote.

MOUSER STOCK NO.	NorComp Part No.	Description	Price Each				
			1	10	25	50	100
636-SF6709	SF6709	Removable Seal for Std 9/HD15 Position D-Sub					
636-SF6715	SF6715	Removable Seal for Std 15/HD26 Position D-Sub					
636-SF6725	SF6725	Removable Seal for Std 25/HD44 Position D-Sub					
636-SFP67SS09	SFP67SS09	Permanent Seal for Std 9/HD15 Position D-Sub					
636-SFP67SS15	SFP67SS15	Permanent Seal for Std 15/HD26 Position D-Sub					
636-SFP67SS25	SFP67SS25	Permanent Seal for Std 25/HD44 Position D-Sub					



HARDWARE

For quantities greater than listed, call for quote.

MOUSER STOCK NO.	NorComp Part No.	Description	Price Each				
			1	10	25	50	100
636-160-067-020R033	160-067-020R033	IP67 Panel Mounting Kit Contains: 2 - 4-40 UNC-2B Mounting Screws; 2 Teflon Flat Washers					
636-160-067-010R033	160-067-010R033	IP67 Panel Mounting Kit Contains: 2 - 4-40 UNC-2B Mounting Screws; 2 Teflon Flat Washers; 2 - 4-40 Flat Washers; 2 - 4-40 Lock Washers; 2 - 4-40 Nuts					

NORCOMP Machined Contact D-Sub Connectors



SERIES 172 MACHINED CONTACT D-SUB CONNECTORS

Specifications:

- Insulator: Glass-filled thermoplastic, UL94V-0
- Shell: Steel, plated with nickel
- Machined Contacts: Brass male and female pins
- Plating: Gold flash over entire contact area

Features:

- Non-removable contacts
- Shells have indents to provide grounding and additional retention
- Screw machine contacts offer high reliability
- RoHS Compliant per NorComp documentation



RoHS Compliant

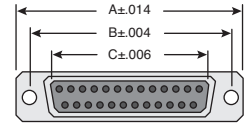
Solder Cup

For quantities greater than listed, call for quote.

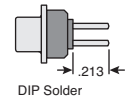
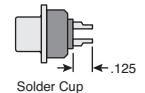
MOUSER STOCK NO.	NorComp Part No.	No. of Positions	Type	Hardware	Price Each			
					1	25	50	100
636-172-E09-103R001	172-E09-103R001	9	Male	---				
636-172-E09-203R001	172-E09-203R001	9	Female	---				
636-172-E09-103R011	172-E09-103R011	9	Male	.098" Clinch Nuts, Board Side				
636-172-E09-203R011	172-E09-203R011	9	Female	.098" Clinch Nuts, Board Side				
636-172-E09-103R021	172-E09-103R021	9	Male	.250" Clinch Nuts, Board Side				
636-172-E09-203R021	172-E09-203R021	9	Female	.250" Clinch Nuts, Board Side				
636-172-E09-103R031	172-E09-103R031	9	Male	.250" Clinch Nuts, Mating Side				
636-172-E09-203R031	172-E09-203R031	9	Female	.250" Clinch Nuts, Mating Side				
636-172-E15-103R001	172-E15-103R001	15	Male	---				
636-172-E15-203R001	172-E15-203R001	15	Female	---				
636-172-E15-103R011	172-E15-103R011	15	Male	.098" Clinch Nuts, Board Side				
636-172-E15-203R011	172-E15-203R011	15	Female	.098" Clinch Nuts, Board Side				
636-172-E15-203R031	172-E15-203R031	15	Female	.250" Clinch Nuts, Mating Side				
636-172-E25-103R001	172-E25-103R001	25	Male	---				
636-172-E25-203R001	172-E25-203R001	25	Female	---				
636-172-E25-103R011	172-E25-103R011	25	Male	.098" Clinch Nuts, Board Side				
636-172-E25-203R011	172-E25-203R011	25	Female	.098" Clinch Nuts, Board Side				
636-172-E25-103R021	172-E25-103R021	25	Male	.250" Clinch Nuts, Board Side				
636-172-E25-203R021	172-E25-203R021	25	Female	.250" Clinch Nuts, Board Side				
636-172-E25-103R031	172-E25-103R031	25	Male	.250" Clinch Nuts, Mating Side				
636-172-E25-203R031	172-E25-203R031	25	Female	.250" Clinch Nuts, Mating Side				
636-172-E37-103R001	172-E37-103R001	37	Male	.098" Clinch Nuts, Board Side				
636-172-E37-203R001	172-E37-203R001	37	Female	.098" Clinch Nuts, Board Side				
636-172-E37-203R011	172-E37-203R011	37	Female	.098" Clinch Nuts, Board Side				
636-172-E50-103R001	172-E50-103R001	50	Male	---				
636-172-E50-203R001	172-E50-203R001	50	Female	---				
636-172-E50-103R011	172-E50-103R011	50	Male	.098" Clinch Nuts, Board Side				

Dimensional Drawing

No. of Positions	Dimensions: in.		
	A	B	C
9	1.213	0.984	0.666
15	1.543	1.312	0.944
25	2.087	1.852	1.534
37	2.732	2.500	2.181
50	2.638	2.406	2.079



Termination

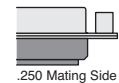
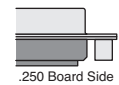
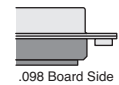


Dip Solder - PCB Mount

For quantities greater than listed, call for quote.

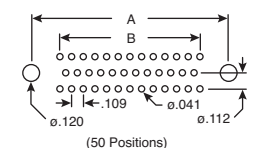
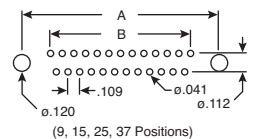
MOUSER STOCK NO.	NorComp Part No.	No. of Positions	Type	Hardware	Price Each			
					1	25	50	100
636-172-E09-113R001	172-E09-113R001	9	Male	---				
636-172-E09-213R001	172-E09-213R001	9	Female	---				
636-172-E09-113R911	172-E09-113R911	9	Male	.237" Spacer/Boardlock				
636-172-E09-113R011	172-E09-113R011	9	Male	.098" Clinch Nuts, Board Side				
636-172-E09-213R011	172-E09-213R011	9	Female	.098" Clinch Nuts, Board Side				
636-172-E09-113R021	172-E09-113R021	9	Male	.250" Clinch Nuts, Board Side				
636-172-E09-213R021	172-E09-213R021	9	Female	.250" Clinch Nuts, Board Side				
636-172-E09-113R031	172-E09-113R031	9	Male	.250" Clinch Nuts, Mating Side				
636-172-E09-213R031	172-E09-213R031	9	Female	.250" Clinch Nuts, Mating Side				
636-172-E15-113R001	172-E15-113R001	15	Male	---				
636-172-E15-213R001	172-E15-213R001	15	Female	---				
636-172-E15-113R011	172-E15-113R011	15	Male	.098" Clinch Nuts, Board Side				
636-172-E15-213R011	172-E15-213R011	15	Female	.098" Clinch Nuts, Board Side				
636-172-E15-113R021	172-E15-113R021	15	Male	.250" Clinch Nuts, Board Side				
636-172-E15-213R021	172-E15-213R021	15	Female	.250" Clinch Nuts, Board Side				
636-172-E15-213R031	172-E15-213R031	15	Female	.250" Clinch Nuts, Mating Side				
636-172-E25-113R001	172-E25-113R001	25	Male	---				
636-172-E25-213R001	172-E25-213R001	25	Female	---				
636-172-E25-113R011	172-E25-113R011	25	Male	.098" Clinch Nuts, Board Side				
636-172-E25-213R011	172-E25-213R011	25	Female	.098" Clinch Nuts, Board Side				
636-172-E25-113R021	172-E25-113R021	25	Male	.250" Clinch Nuts, Board Side				
636-172-E25-213R021	172-E25-213R021	25	Female	.250" Clinch Nuts, Board Side				
636-172-E25-113R031	172-E25-113R031	25	Male	.250" Clinch Nuts, Mating Side				
636-172-E25-213R031	172-E25-213R031	25	Female	.250" Clinch Nuts, Mating Side				
636-172-E37-113R001	172-E37-113R001	37	Male	---				
636-172-E37-113R011	172-E37-113R011	37	Male	.098" Clinch Nuts, Board Side				
636-172-E37-113R031	172-E37-113R031	37	Male	.250" Clinch Nuts, Mating Side				
636-172-E37-213R031	172-E37-213R031	37	Female	.250" Clinch Nuts, Mating Side				
636-172-E50-113R001	172-E50-113R001	50	Male	---				
636-172-E50-113R011	172-E50-113R011	50	Male	.098" Clinch Nuts, Board Side				
636-172-E50-213R011	172-E50-213R011	50	Female	.098" Clinch Nuts, Board Side				
636-172-E50-213R021	172-E50-213R021	50	Female	.250" Clinch Nuts, Board Side				

Clinch Nut Hardware



Foot Print

No. of Positions	Dimensions: in.	
	A	B
9	.984	.433
15	1.312	.757
25	1.852	1.305
37	2.500	1.957
50	2.406	1.740

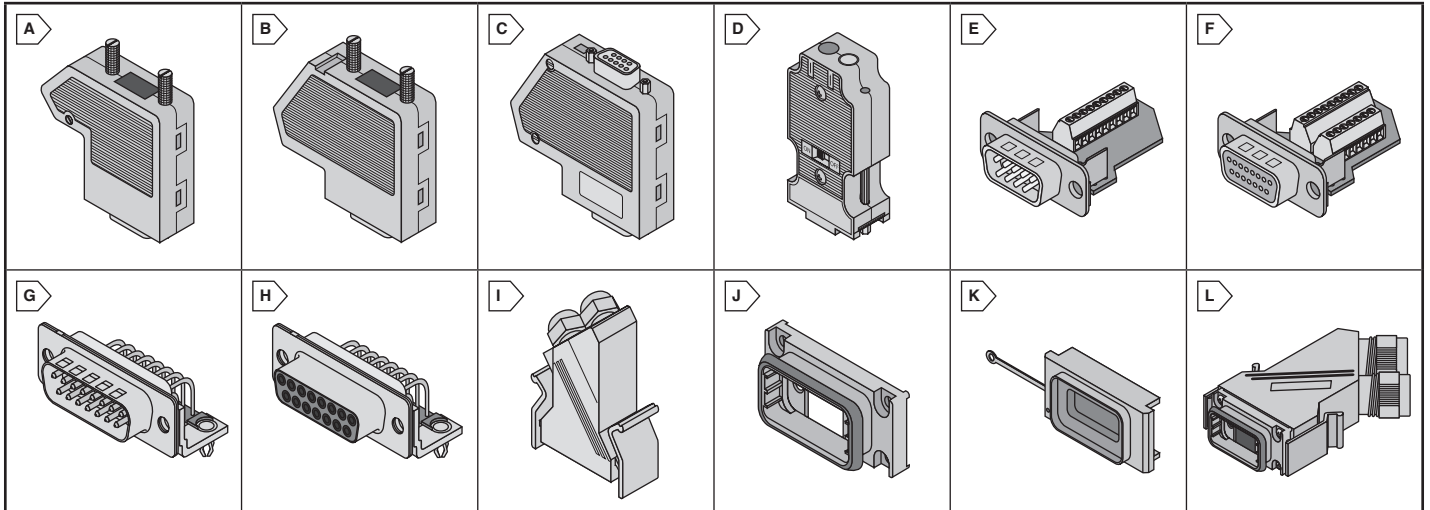


Wire Wrap

For quantities greater than listed, call for quote.

MOUSER STOCK NO.	NorComp Part No.	No. of Positions	Type	Hardware	Price Each			
					1	25	50	100
636-172-009-142R001	172-009-142R001	9	Male	---				
636-172-009-242R001	172-009-242R001	9	Female	---				
636-172-009-142R011	172-009-142R011	9	Male	.098" Clinch Nuts, Board Side				
636-172-009-242R011	172-009-242R011	9	Female	.098" Clinch Nuts, Board Side				
636-172-009-242R021	172-009-242R021	9	Female	.250" Clinch Nuts, Board Side				
636-172-015-142R001	172-015-142R001	15	Male	---				
636-172-015-242R001	172-015-242R001	15	Female	---				
636-172-015-142R011	172-015-142R011	15	Male	.098" Clinch Nuts, Board Side				
636-172-015-242R011	172-015-242R011	15	Female	.098" Clinch Nuts, Board Side				
636-172-015-242R021	172-015-242R021	15	Female	.250" Clinch Nuts, Board Side				
636-172-025-142R001	172-025-142R001	25	Male	---				
636-172-025-242R021	172-025-242R021	25	Female	.250" Clinch Nuts, Board Side				
636-172-037-242R001	172-037-242R001	37	Female	---				

PHOENIX CONTACT D-Sub Connectors



SUBCON D-SUB CONNECTORS

Phoenix Contact's SUBCON products provides a means to make D-SUB assemblies without the hassle of soldering or crimping. The SUBCON product provides connection from the pins of a D-SUB connector to individual screw actuated terminal blocks all in a D-SUB clamshell housing. This means that the only tool required to configure a cable is a screwdriver.

- EMI/RFI Shielded, secure connection of cable assembly to mating receptacle
- Cable feed-in is designed for one cable



For quantities greater than listed, call for quote.

MOUSER STOCK NO.		Fig.	Phoenix Type	No. of Positions	Type	Description	Price Each		
Mfr.	Mfr. Part No.						1	10	25
651	2761499	A	SUBCON 9/F-SH	9	Female	1 Cable entry, INTERBUS, RS-232			
651	2761509	A	SUBCON 9/M-SH	9	Male	1 Cable entry, INTERBUS, RS-232			
651	2761596	A	SUBCON 15/F-SH	15	Female	1 Cable entry, TTY(CL), RS-422			
651	2761606	A	SUBCON 15/M-SH	15	Male	1 Cable entry, TTY(CL), RS-422			
651	2761619	A	SUBCON 25/F-SH	25	Female	1 Cable entry, RS-232			
651	2761622	A	SUBCON 25/M-SH	25	Male	1 Cable entry, RS-232			
651	2300986	A	SUBCON 37/F-SH	37	Female	1 Cable entry			
651	2300973	A	SUBCON 37/M-SH	37	Male	1 Cable entry			

SUBCON-PLUS D-SUB CONNECTORS

- SUBCON-PLUS is for applications where 2 cable feed-ins are required.
- SUBCON-PLUS-PROFIB is designed for use in Profibus systems up to 12 Mbit/s.

- Number of Contacts: 9
- PROFIBUS-Terminating resistor is already integrated in all versions.



For quantities greater than listed, call for quote.

MOUSER STOCK NO.		Fig.	Phoenix Type	Pin Assignment	Type	Description	Price Each		
Mfr.	Mfr. Part No.						1	10	25
651	2761826	B	SUBCON-PLUS M1	1, 2, 3, 5, 6, 8	Male	2 Feed-Ins, MODBUS, BITBUS			
651	2744267	B	SUBCON-PLUS-F1	1, 2, 3, 5, 6, 8	Female	2 Feed-Ins, MODBUS, BITBUS			
651	2761839	B	SUBCON-PLUS M2	2, 3, 4, 5, 7, 9	Male	2 Feed-Ins, SUCONET, S-BUS			
651	2799490	B	SUBCON-PLUS-F2	2, 3, 4, 5, 7, 9	Female	2 Feed-Ins, SUCONET, S-BUS			
651	2744348	C	SUBCON-PLUS-PROFIB	3, 8	Male	2 Entries, Profibus with 12 Mbit/s			
651	2744377	D	SUBCON-PLUSPROFIBAX	3, 6, 5, 8	Male	Axial version, Profibus with 12 Mbit/s			
651	2744380	D	SUBCONPLUSPROFIBAXSC	3, 6, 5, 8	Male	Axial, Profibus with 12 Mbit/s Screw			

VARIOSUB D-SUB CONNECTORS

VARIOSUB-D-SUB is the IP67 protected plug connector range with commercially available D-SUB contact inserts.

- Male and female insert format enable 9, 15, or 25 data lines and cable shields to be connected.
- VARIOSUB housings offer space and time-saving Push-Pull locking which snaps with a noticeable click.

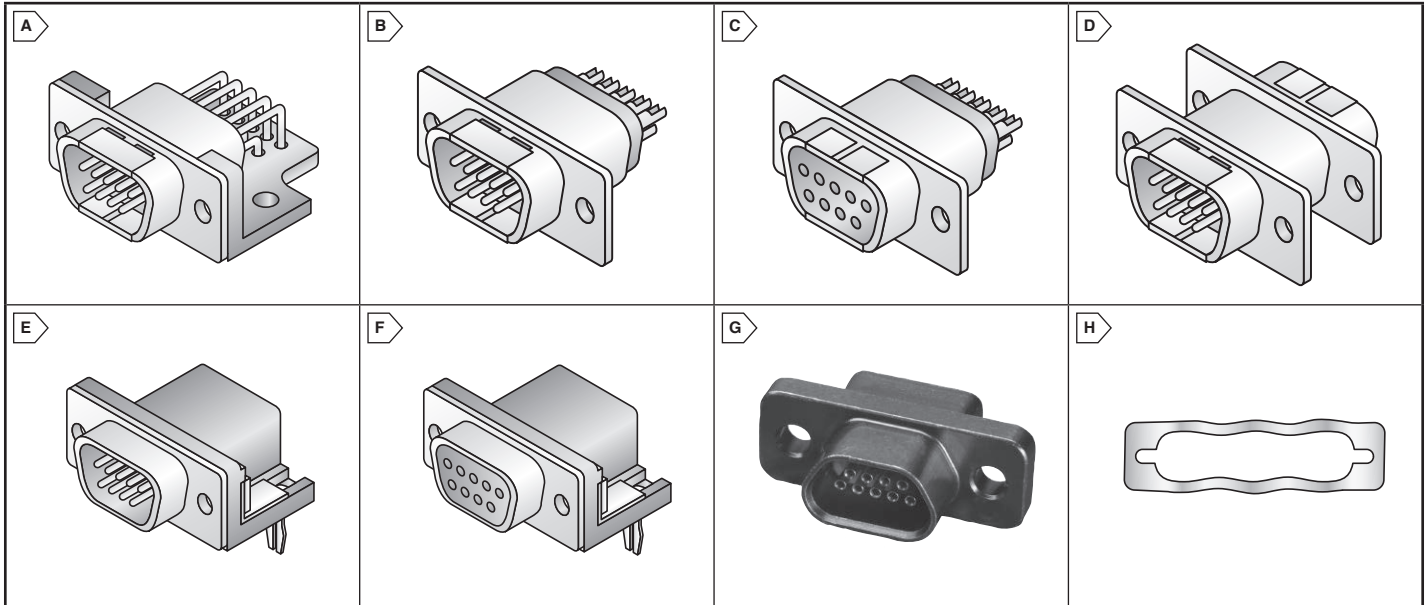
For quantities greater than listed, call for quote.

MOUSER STOCK NO.		Fig.	Phoenix Type	No. of Positions	Type	Description	Price Each		
Mfr.	Mfr. Part No.						1	10	25
651	1688379	E	VS-09STDSUB/9MPT-0.5	9	Male	Contact insert with PCB and MPT 0.5			
651	1688395	F	VS-09BUDSUB/9MPT-0.5	9	Female	Contact insert with PCB and MPT 0.5			
651	1688078	E	VS-15STDSUB/15MPT0.5	15	Male	Contact insert with PCB and MPT 0.5			
651	1688094	F	VS-15BUDSUB/15MPT0.5	15	Female	Contact insert with PCB and MPT 0.5			
651	1689789	E	VS-25STDSUB/25MPT0.5	25	Male	Contact insert with PCB and MPT 0.5			
651	1689776	F	VS-25BUDSUB25MPT0.5	25	Female	Contact insert with PCB and MPT 0.5			
651	1688382	G	VS-09-ST-DSUB-ER	9	Male	Contact insert with angled solder pins, thread			
651	1688405	H	VS-09-BU-DSUB-ER	9	Female	Contact insert with angled solder pins, thread			
651	1688081	G	VS-15-ST-DSUB-ER	15	Male	Contact insert with angled solder pins, thread			
651	1688120	H	VS-15-BU-DSUB-ER	15	Female	Contact insert with angled solder pins, thread			
651	1689873	G	VS-25-ST-DSUB-ER	25	Male	Contact insert with angled solder pins, thread			
651	1689886	H	VS-25-BU-DSUB-ER	25	Female	Contact insert with angled solder pins, thread			
651	1688353	I	VS-09-T-2M16	9	---	Plastic sleeve housing with push-pull lock			
651	1688052	I	VS-15-T-2PG11	15	---	Plastic sleeve housing with push-pull lock			
651	1689792	I	VS-25-T-2M20	25	---	Plastic sleeve housing with push-pull lock			
651	1688366	J	VS-09-A	9	---	Plastic panel mounting base			
651	1688036	J	VS-15-A	15	---	Plastic panel mounting base			
651	1689750	J	VS-25-A	25	---	Plastic panel mounting base			
651	1887086	K	VS-09-SD	9	---	Protective cover			
651	1652211	K	VS-25-SD	25	---	Protective cover			
651	1688450	-	VS-M16 (3-6)	-	---	M16 nut cap for 3-6mm wire			
651	1688447	-	VS-M16 (5-9)	-	---	M16 nut cap for 5-9mm wire			
651	1688117	-	VS-PG 11(3-7)	-	---	PG nut cap for 3-7mm wire			
651	1688104	-	VS-PG 11(5-10)	-	---	PG nut cap for 5-10mm wire			
651	1652127	-	VS-M20 (5-13)	-	---	M20 nut cap for 5-13mm wire			
Shielded Housing Kits									
651	1689158	L	VS-09-SET-EMV	9	---	D-Sub 9 EMC shielded housing set for contact insert			
651	1689132	L	VS-15-SET-EMV	15	---	D-Sub 15 EMC shielded housing set for contact insert			
651	1652208	L	VS-25-SET-EMV	25	---	D-Sub 25 EMC shielded housing set for contact insert			

SPECTRUM ASP Filtered D-Sub Connectors



RoHS Compliant This product is RoHS compliant.



SERIES 700 HIGH PERFORMANCE FILTERED CONNECTORS

The Series 700 Connectors offer the highest performance filtering for all types of professional applications.

Features:

- One piece diecast housing design
- Tubular capacitor filtering provides effective performance through 10GHz
- UL Recognized: File #E149046
- RoHS Compliant per Spectrum ASP documentation

Specifications:

- Shell: Zinc diecast, nickel plated
- Contacts: Copper alloy
- Plug Contacts: 15µ" Gold plated over nickel
- Receptacle Contacts: 30µ" Gold plated over nickel
- Temperature: -55°C to +125°C
- Current Rating: 5A
- Contact Resistance: 10MΩ maximum



RoHS Compliant

Connectors

For quantities greater than listed, call for quote.

MOUSER STOCK NO.	Spectrum ASP Part No.	Fig.	Type	No. of Pos.	EMI Filter Capacitance Value	Price Each		
						1	5	10
Printed Circuit Board Right Angle Mount								
657-56F722-005	56F722-005	A	Plug	25	4000 pF Pi			
Solder Cup Termination								
657-56F701-013	56F701-013	B	Plug	9	1000 pF Pi			
657-56F701-015	56F701-015	B	Plug	9	4000 pF Pi			
657-56F706-001	56F706-001	C	Receptacle	9	310 pF Pi			
657-56F706-005	56F706-005	C	Receptacle	9	4000 pF Pi			
657-56F711-013	56F711-013	B	Plug	15	1000 pF Pi			
657-56F716-003	56F716-003	C	Receptacle	15	1000 pF Pi			
657-56F721-013	56F721-013	B	Plug	25	1000 pF Pi			
657-56F721-015	56F721-015	B	Plug	25	4000 pF Pi			
657-56F731-013	56F731-013	B	Plug	37	1000 pF Pi			

Plug/Receptacle Adapter

In-line design allows EMI/RFI filtering to be added externally to equipment. Utilizes existing D-Sub connectors. No gender changer required. Offers same protection as soldered in filters.



RoHS Compliant

- RoHS Compliant per Spectrum ASP documentation
- * L1 Suffix=4-40 UNC Inserts

For quantities greater than listed, call for quote.

MOUSER STOCK NO.	Spectrum ASP Part No.	Fig.	No. of Pos.	EMI Filter Capacitance Value	Price Each		
					1	5	10
657-56F705-001	56F705-001	D	9	310 pF Pi			
657-56F705-008	56F705-008	D	9	830 pF Pi			
657-56F705-003	56F705-003	D	9	1000 pF Pi			
657-56F705-005	56F705-005	D	9	4000 pF Pi			
* 657-56F705-005-L1	56F705-005-L1	D	9	4000pF Pi			
657-56F715-001	56F715-001	D	15	310 pF Pi			
657-56F715-003	56F715-003	D	15	1000 pF Pi			
657-56F715-005	56F715-005	D	15	4000 pF Pi			
657-56F725-001	56F725-001	D	25	310 pF Pi			
657-56F725-003	56F725-003	D	25	1000 pF Pi			
657-56F725-005	56F725-005	D	25	4000 pF Pi			
657-56F735-005	56F735-005	D	37	4000 pF Pi			

© Copyright 2014 Mouser Electronics

For current pricing, visit mouser.com

mouser.com/spectrumcontrol

SERIES 400 FERRITE FILTERED CONNECTORS

The Series 400 Ferrite Filtered Connector is designed as a low cost EMI solution for high frequency interference. The space saving connectors incorporate a solid slab of ferrite material as the filtering element.

Features:

- Prevents common-mode noise in signal lines of data communication terminals and digital devices
- Drop In replacements for standard .318" D-Sub connectors
- Replaces individual ferrite beads, saving cost and space
- Effective in helping meet requirements of FCC, VDE, EN55022 and Japan's VCCI
- RoHS Compliant per Spectrum ASP documentation

Specifications:

- Operating Temperature: -40°C to +105°C
- Frequency Range: 10 – 300MHz
- Current Rating: 5A
- Dielectric Withstand Voltage: 1000 VAC for one min
- Shell: Steel (Tin Plated)
- Plug Contacts: Brass
- Receptacle Contacts: Phosphor Bronze
- Contact Plated: Gold Flash



RoHS Compliant

For quantities greater than listed, call for quote.

MOUSER STOCK NO.	Spectrum ASP Part No.	Fig.	Type	No. of Pos.	Typ. Impedance (Ω)		Price Each		
					25 MHz	100 MHz	1	5	10
657-56F402-001	56F402-001	E	Plug	9	30	50			
657-56F404-001	56F404-001	F	Receptacle	9	30	50			
657-56F422-001	56F422-001	E	Plug	25	30	50			
657-56F424-001	56F424-001	F	Receptacle	25	30	50			

FILTERED MICRO D CONNECTORS

Features:

- Light weight
- Compact size
- Environmentally sealed contact area when mated
- Corrosion resistant
- Durable (500 cycles min.)
- Superior electrical performance
- RoHS compliant

Specifications:

- Operating Voltage: 100 VDC Dielectric
- Withstanding Voltage: 300 VDC
- Current Rating: 3A
- Insulation Resistance: 5G ohms @ 100 VDC

For quantities greater than listed, call for quote.

MOUSER STOCK NO.	Spectrum ASP Part No.	Fig.	Type	No. of Pos.	EMI Filter Capacitance Value	Price Each		
						1	5	10
657-56F001-114	56F001-114	G	Plug	9	4700 pF COB			
657-56F031-114	56F031-114	G	Plug	25	4700 pF COB			

WAVED METAL GASKETS

Waved metal gaskets adjust for mounting surface irregularities, resulting in optimum filtering performance.

Specifications:

- Material: Beryllium Copper
- Finish: Electro Tin Plate
- Material Thickness: .005" Compresses
- Wave Length: .030"
- RoHS compliant per Spectrum ASP documentation



RoHS Compliant

Front Mounted Plug or Receptacle Connector, Rear Mounted Plug

For quantities greater than listed, call for quote.

MOUSER STOCK NO.	Spectrum ASP Part No.	Fig.	Shell Size	Price Each		
				1	5	10
657-572019-100-NI	572019-00100-NI	H	9			
657-572019-101-NI	572019-00101-NI	H	15			
657-572019-102-NI	572019-00102-NI	H	25			
657-572019-103-NI	572019-00103-NI	H	37			

Rear Mounted Receptacle Only

For quantities greater than listed, call for quote.

MOUSER STOCK NO.	Spectrum ASP Part No.	Fig.	Shell Size	Price Each		
				1	5	10
657-572019-105-NI	572019-00105-NI	H	9			
657-572019-106-NI	572019-00106-NI	H	15			
657-572019-107-NI	572019-00107-NI	H	25			
657-572019-108-NI	572019-00108-NI	H	37			

© Copyright 2014 Mouser Electronics

© Copyright 2014 Mouser Electronics

EUsales@mouser.com

1451

"D" Connectors Spectrum ASP

TE CONNECTIVITY D-Subminiature Connectors

RoHS Compliant This product is RoHS compliant.

HD-20 SERIES, PCB CONNECTORS

- Shell: Steel, tin plated
- Contacts: Pins - brass, sockets - phosphor bronze
- Contact Plating: (a) Gold on mating end, tin on termination end, nickel underplated (b) Same as (a) with gold flash on mating end

Straight Posted Connectors, Front Metal-Shell

- Housing: UL 94V-0 black thermoplastic
- Threaded Inserts: Brass, unplated
- Female Screwlocks: Zinc



RoHS Compliant

Plugs

For quantities greater than listed, call for quote.

MOUSER STOCK NO.	TE Part No.	Fig.	Shell Size	No of Pos.	Post Length (In.)	Plating Code	Price Each		
							1	10	100
With Standard Mounting Holes									
571-5747871-2	5747871-2	A	1	9	0.125	a			
571-5747872-4	5747872-4	A	2	15	0.170	a			
571-5747375-2	5747375-2	A	4	37	0.125	a			
With Threaded Inserts									
571-5747871-8	5747871-8	B	1	9	0.125	a			
571-5747872-8	5747872-8	B	2	15	0.125	a			
571-5745968-8	5745968-8	B	3	25	0.125	a			
571-5747375-8	5747375-8	B	4	37	0.125	a			
With Female Screwlocks									
571-1-5747871-4	1-5747871-4	C	1	9	0.125	a			
571-1-5745968-4	1-5745968-4	C	3	25	0.125	a			



RoHS Compliant

Receptacles

For quantities greater than listed, call for quote.

MOUSER STOCK NO.	TE Part No.	Fig.	Shell Size	No of Pos.	Post Length (In.)	Plating Code	Price Each		
							1	10	100
With Standard Mounting Holes									
571-5747150-2	5747150-2	D	1	9	0.125	a			
571-5747299-2	5747299-2	D	2	15	0.125	a			
571-5745967-2	5745967-2	D	3	25	0.125	a			
With Threaded Inserts									
571-5747150-8	5747150-8	E	1	9	0.125	a			
571-5747150-7	5747150-7	E	1	9	0.125	b			
571-5747299-8	5747299-8	E	2	15	0.125	a			
571-5745967-8	5745967-8	E	3	25	0.125	a			
571-5745967-7	5745967-7	E	3	25	0.125	b			
571-5747301-8	5747301-8	E	4	37	0.125	a			
With Retention Inserts									
571-2-5747706-0	2-5747706-0	F	1	9	0.125	a			
571-2-5747708-0	2-5747708-0	F	3	25	0.125	a			
With Female Screwlocks									
571-1-5747150-4	1-5747150-4	G	1	9	0.125	a			
571-1-5747150-6	1-5747150-6	G	1	9	0.170	a			
571-1-5747299-4	1-5747299-4	G	2	15	0.125	a			
571-1-5745967-4	1-5745967-4	G	3	25	0.125	a			



RoHS Compliant

Straight Posted Connectors, Full Metal-Shell

- Housing: UL 94V-0 black thermoplastic

Plugs with Mounting Holes

For quantities greater than listed, call for quote.

MOUSER STOCK NO.	TE Part No.	Fig.	Shell Size	No of Pos.	Post Length (In.)	Plating Code	Price Each		
							1	10	100
571-5745410-1	5745410-1	H	1	9	0.125	a			
571-5745411-1	5745411-1	H	2	15	0.125	a			



RoHS Compliant

Receptacles with Mounting Holes

For quantities greater than listed, call for quote.

MOUSER STOCK NO.	TE Part No.	Fig.	Shell Size	No of Pos.	Post Length (In.)	Plating Code	Price Each		
							1	10	100
571-5745183-2	5745183-2	I	1	9	0.125	b			
571-5745187-1	5745187-1	I	3	25	0.125	a			

Straight Posted Connectors, with ACTION PIN Contacts, Front Metal-Shell

- Housing: UL 94V-0 black thermoplastic
- ACTION PIN Contacts: Copper Alloy

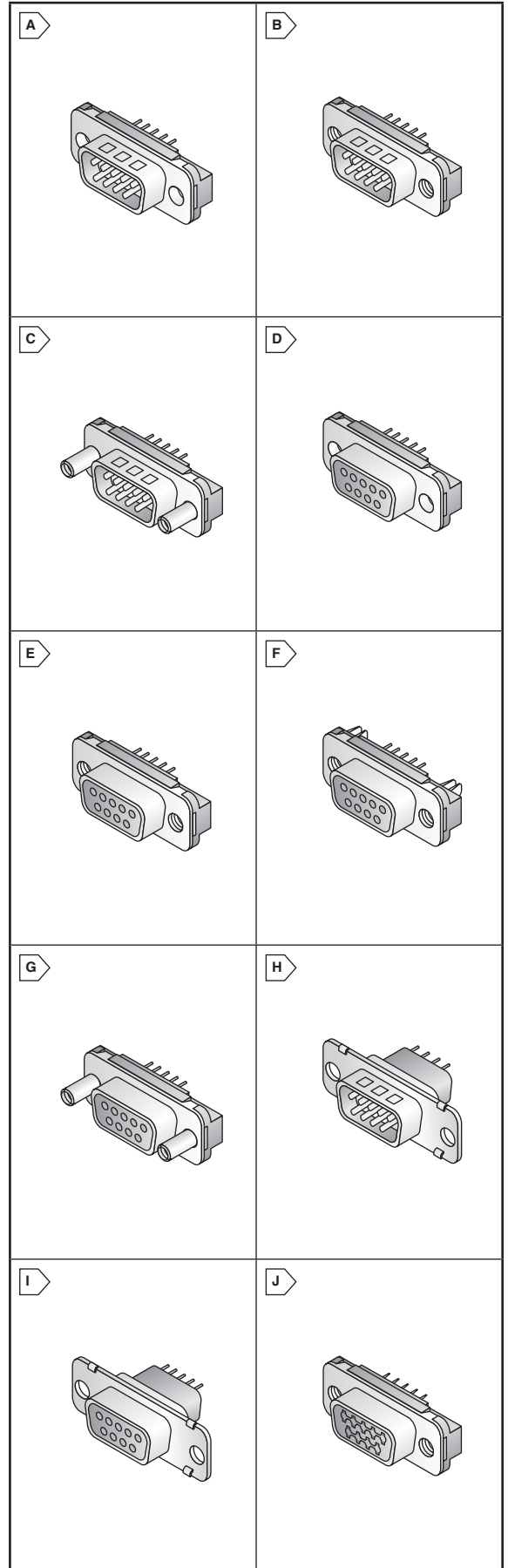


RoHS Compliant

Receptacles with Threaded Inserts

For quantities greater than listed, call for quote.

MOUSER STOCK NO.	TE Part No.	Fig.	Shell Size	No of Pos.	Post Length (In.)	Plating Code	Price Each		
							1	10	100
571-5747090-2	5747090-2	J	1	9	0.228	a			



TE Connectivity "D" Connectors

TE CONNECTIVITY D-Subminiature PCB Connectors

RoHS Compliant This product is RoHS compliant.

HD-20 SERIES RIGHT ANGLE CONNECTORS, FRONT METAL SHELL

- Shell: Steel, tin plated
- Contacts: Pins-brass, sockets - phosphor bronze
- .318 PCB footprint
- Housing: UL 94V-0 black thermoplastic
- Contact Plating: (a) Gold on mating end, tin on termination end, nickel underplated (b) Gold flash on mating end, tin on termination end, nickel underplated



RoHS Compliant

Plugs

For quantities greater than listed, call for quote.

MOUSER STOCK NO.	TE Part No.	Fig.	Shell Size	No. of Positions	Post Length (in.)	Plating Code	Price Each		
							1	10	100
Without boardlocks, with threaded inserts									
571-5747250-4	5747250-4	A	1	9	0.125	a			
571-5747236-4	5747236-4	A	2	15	0.125	a			
571-5747238-4	5747238-4	A	3	25	0.125	a			
571-5747252-4	5747252-4	A	4	37	0.125	a			
With boardlocks & threaded inserts									
571-5747840-4	5747840-4	A	1	9	0.125	a			
571-5747840-3	5747840-3	A	1	9	0.125	b			
571-5747841-4	5747841-4	A	2	15	0.125	a			
571-5747842-4	5747842-4	A	3	25	0.125	a			
571-5747843-4	5747843-4	A	4	37	0.125	a			
With boardlocks & female screwlocks									
571-5747840-6	5747840-6	A	1	9	0.125	a			
571-5747841-6	5747841-6	A	2	15	0.125	a			
571-5747842-6	5747842-6	A	3	25	0.125	a			

Receptacles

For quantities greater than listed, call for quote.

MOUSER STOCK NO.	TE Part No.	Fig.	Shell Size	No. of Positions	Post Length (in.)	Plating Code	Price Each		
							1	10	100
Without boardlocks, with threaded inserts									
571-5745781-4	5745781-4	B	1	9	0.125	a			
571-5745781-3	5745781-3	B	1	9	0.125	b			
571-5745782-4	5745782-4	B	2	15	0.125	a			
571-5745783-4	5745783-4	B	3	25	0.125	a			
571-5745783-3	5745783-3	B	3	25	0.125	b			
571-5745784-4	5745784-4	B	4	37	0.125	a			
Without boardlocks, with female screwlocks									
571-5745781-6	5745781-6	B	1	9	0.125	a			
571-5745783-6	5745783-6	B	3	25	0.125	a			
571-5745783-5	5745783-5	B	3	25	0.125	b			
With boardlocks & threaded inserts									
571-5747844-4	5747844-4	B	1	9	0.125	a			
571-5747844-3	5747844-3	B	1	9	0.125	b			
571-5747845-4	5747845-4	B	2	15	0.125	a			
571-5747845-3	5747845-3	B	2	15	0.125	b			
571-5747846-4	5747846-4	B	3	25	0.125	a			
571-5747847-4	5747847-4	B	4	37	0.125	a			
With boardlocks & female screwlocks									
571-5747844-5	5747844-5	B	1	9	0.125	b			
571-5747845-6	5747845-6	B	2	15	0.125	a			
571-5747845-5	5747845-5	B	2	15	0.125	b			
571-5747846-6	5747846-6	B	3	25	0.125	a			
571-5747846-5	5747846-5	B	3	25	0.125	b			
571-5747847-6	5747847-6	B	4	37	0.125	a			

HD-20 SERIES RIGHT ANGLE CONNECTORS, FULL METAL SHELL

- Shell: Steel, tin plated
- Contacts: Pins-brass, sockets-phosphor bronze
- .545 PCB footprint
- Insert: UL 94V-0 black thermoplastic
- Contact Plating: (a) Gold on mating end, tin on termination end, nickel underplated (b) Gold flash on mating end, tin on termination end, nickel underplated



RoHS Compliant

Plugs with Standard Mounting Screws

For quantities greater than listed, call for quote.

MOUSER STOCK NO.	TE Part No.	Fig.	Shell Size	No. of Positions	Post Length (in.)	Plating Code	Price Each		
							1	10	100
571-5745351-4	5745351-4	C	1	9	0.125	a			
571-5745355-4	5745355-4	C	5	50	0.125	a			

Receptacles with Standard Mounting Screws

For quantities greater than listed, call for quote.

MOUSER STOCK NO.	TE Part No.	Fig.	Shell Size	No. of Positions	Post Length (in.)	Plating Code	Price Each		
							1	10	100
571-5745112-2	5745112-2	D	1	9	0.125	a			
571-5745114-2	5745114-2	D	3	25	0.125	a			
571-5745116-2	5745116-2	D	5	50	0.125	a			

HD-20 SERIES RIGHT ANGLE CONNECTORS, PLASTIC SHELL

- Shell: Steel, tin plated
- Contacts: Pins-brass, sockets - phosphor bronze
- Shell and housing: UL 94V-0 black thermoplastic
- Standard mounting holes
- .590 PCB footprint
- Contact Plating: (a) Gold on mating end, tin on termination end, nickel underplated (b) Gold flash on mating end, tin on termination end, nickel underplated



RoHS Compliant

Plugs Without Boardlocks

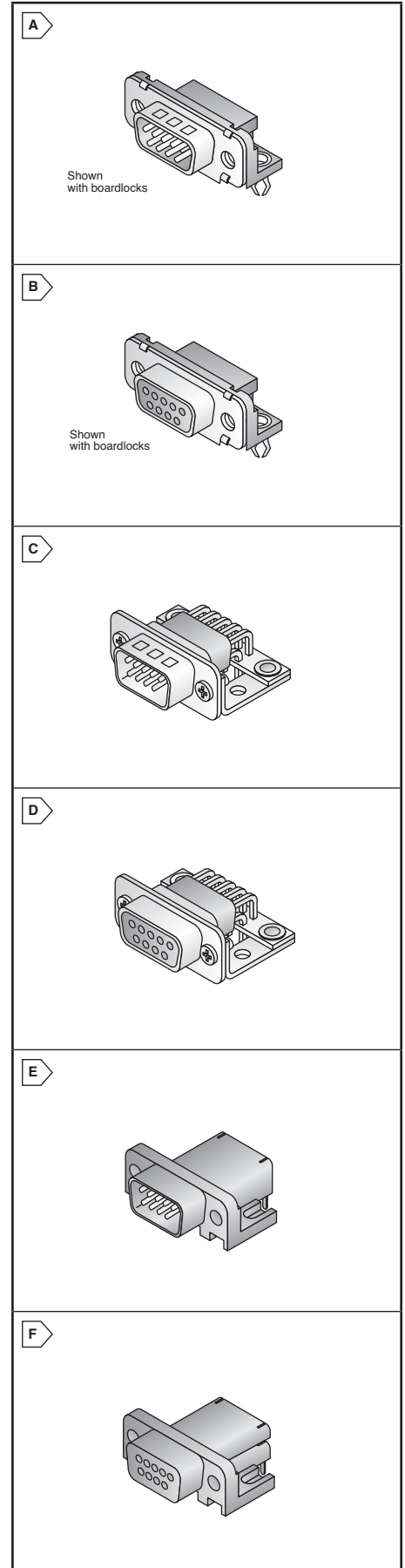
For quantities greater than listed, call for quote.

MOUSER STOCK NO.	TE Part No.	Fig.	Shell Size	No. of Positions	Post Length (in.)	Plating Code	Price Each		
							1	10	100
571-5748826-2	5748826-2	E	3	25	0.125	b			

Receptacles Without Boardlocks

For quantities greater than listed, call for quote.

MOUSER STOCK NO.	TE Part No.	Fig.	Shell Size	No. of Positions	Post Length (in.)	Plating Code	Price Each		
							1	10	100
571-5748826-2	5748826-2	F	1	9	0.125	b			
571-5747461-1	5747461-1	F	3	25	0.125	b			



"D" Connectors

TE Connectivity

TE CONNECTIVITY D-Subminiature Connectors



RoHS Compliant This product is RoHS compliant.

HDP-20, CRIMP SNAP-IN CONTACT CONNECTORS

- Insert: UL 94V-0 thermoplastic, black
- Shell: zinc or tin plated



For quantities greater than listed, call for quote.

MOUSER STOCK NO.	TE Part No.	Fig.	Shell Size	No. of Positions	Price Each		
					1	10	100
Plugs, Zinc Plating Shells							
571-205204-9	205204-9	A	1	9			
571-205206-9	205206-9	A	2	15			
571-5205208-1	5205208-1	A	3	25			
571-205210-8	205210-8	A	4	37			
571-1658641-3	1658641-3	A	5	50			
Plugs, Tin Plated Shells, Without Grounding Indents							
571-205204-8	205204-8	A	1	9			
571-205206-8	205206-8	A	2	15			
571-207464-7	207464-7	A	3	25			
Plugs, Tin Plated Shells, With Grounding Indents							
571-2052044	205204-4	B	1	9			
571-2052063	205206-3	B	2	15			
571-2074642	207464-2	B	3	25			
571-2052103	205210-3	B	4	37			
571-1658641-2	1658641-2	B	5	50			
Receptacle, Zinc Plating Shells							
571-205203-8	205203-8	C	1	9			
571-205205-7	205205-7	C	2	15			
571-5205207-1	5205207-1	C	3	25			
571-205209-7	205209-7	C	4	37			
571-1658640-2	1658640-2	C	5	50			
Receptacle, Tin Plating Shells							
571-2052033	205203-3	C	1	9			
571-2052052	205205-2	C	2	15			
571-2074631	207463-1	C	3	25			
571-2052092	205209-2	C	4	37			
571-1658640-1	1658640-1	C	5	50			

CRIMP, SNAP-IN CONTACTS - SIZE 20 DF

• Use with HDP series

Plating:

- Gold flash over nickel on entire contact
- Select gold flash over nickel on entire contact, with additional .000030 [0.00076] gold on mating end
- Duplex plated .000030 [0.00076] gold on mating end, tin on termination end, with entire contact nickel underplated
- Duplex plated gold flash on mating end, tin on termination end, with entire contact nickel underplated



RoHS Compliant

Use insertion/extraction tool 571-912851; Crimp Tool 571-584482

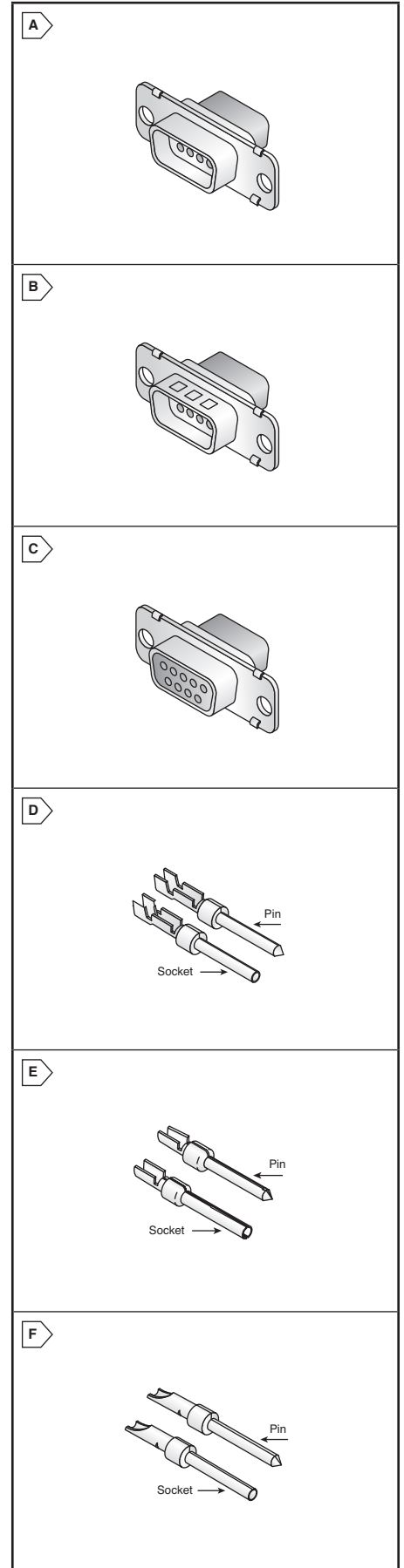
For quantities greater than listed, call for quote.

MOUSER STOCK NO.	TE Part No.	Fig.	Wire Size	Plating Code	Price Each		
					1	10	100
Pins - (For Use with Plugs)							
571-1665070	1-66507-0	D	28-24	a			
571-666824	66682-4	D	28-24	b			
571-7452547	745254-7	D	26-22	a			
571-7452546	745254-6	D	26-22	b			
571-1658544-1	1658544-1	D	26-22	c			
571-1665060	1-66506-0	D	24-20	a			
571-2052027	205202-7	E	24-20	a			
571-1658539-4	1658539-4	D	24-20	d			
571-665069	66506-9	D	24-20	b			
571-1658539-3	1658539-3	D	24-20	c			
571-7452294	745229-4	E	22-18	b			
571-665703	66570-3	F	18 max.	b			
Sockets - (For Use with Receptacles)							
571-1665050	1-66505-0	D	28-24	a			
571-666834	66683-4	D	28-24	b			
571-7452537	745253-7	D	26-22	a			
571-7452536	745253-6	D	26-22	b			
571-1658544-1	1658544-1	D	26-22	c			
571-1665040	1-66504-0	D	24-20	a			
571-2052017	205201-7	E	24-20	a			
571-1658537-2	1658537-2	D	24-20	d			
571-665049	66504-9	D	24-20	b			
571-1658537-4	1658537-4	D	24-20	c			
571-7452304	745230-4	E	22-18	b			
571-665693	66569-3	F	18 max.	b			

INSERTION / EXTRACTION TOOLS

For quantities greater than listed, call for quote.

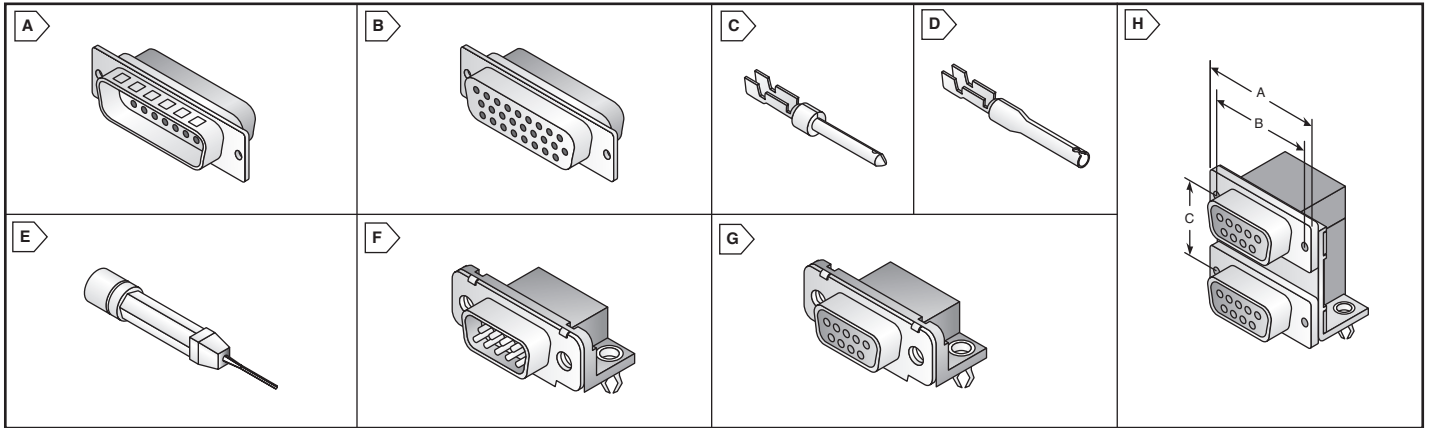
MOUSER STOCK NO.	TE Part No.	Description	Price Each
571-912851	91285-1	Insertion/extraction tool with 6 tips and wrench	
571-910672	91067-2	Insertion/extraction tool	
571-912321	91232-1	Extraction tool	
571-584482	58448-2	ProCrimper III Hand Tool	



TE Connectivity "D" Connectors

TE CONNECTIVITY D-Subminiature Connectors

RoHS Compliant This product is RoHS compliant.



HDP-22 HIGH DENSITY, CRIMP SNAP-IN CONTACT CONNECTORS

- Materials:**
- Shell: steel, tin plated
 - Insert: black thermoplastic, UL94V-0 rated

Contacts not included, order separately.

HDP-22 Crimp Snap-In Contacts

- Features:**
- AWG size: 28-22
 - Pin: brass
 - Socket: phosphor bronze
 - Plating:
 - (a) 30µ" gold on mating end, tin on crimp barrel, all nickel underplated
 - (b) Gold flash on mating end, tin on crimp barrel, all nickel underplated

For quantities greater than listed, call for quote.

MOUSER STOCK NO.	TE Part No.	Fig.	Shell Size	No. of Positions	Price Each		
					1	10	100
Plugs, with Grounding Indents							
571-7483641	748364-1	A	1	15			
571-1658671-1	1658671-1	A	2	26			
571-1658672-1	1658672-1	A	3	44			
571-1658673-1	1658673-1	A	4	62			
571-1658674-1	1658674-1	A	5	78			
Receptacles, with Grounding Indents							
571-1658681-1	1658681-1	B	1	15			
571-1658682-1	1658682-1	B	2	26			
571-1658683-1	1658683-1	B	3	44			
571-1658684-1	1658684-1	B	4	62			
571-1658685-1	1658685-1	B	5	78			

For quantities greater than listed, call for quote.

MOUSER STOCK NO.	TE Part No.	Fig.	Plating Code	Type	Price Each		
					1	100	1000
571-1658670-2	1658670-2	C	a	Pin			
571-1658670-4	1658670-4	C	b	Pin			
571-1658686-2	1658686-2	D	a	Socket			
571-1658686-4	1658686-4	D	b	Socket			

Insertion/ Extraction Tool

For quantities greater than listed, call for quote.

MOUSER STOCK NO.	TE Part No.	Fig.	Description	Price Each
571-912851	91285-1	E	Insertion/Extraction tool	

HD-22 FRONT METAL SHELL, RIGHT ANGLE CONNECTORS

- Features:**
- PCB Mount
 - High density, .350 PCB footprint with boardlocks
 - Front shell: steel tin plated
 - Housing: black thermoplastic, UL94V-0
 - Shell: nickel plated steel
 - Contacts: pin-brass, socket-phosphor bronze .22DF
 - Plating:
 - (a) 30µ" gold on mating end, tin on termination end, all nickel underplated
 - (b) Gold flash on mating end, tin on termination end, all nickel underplated

- Boardlocks: tin plated brass
- Threaded Inserts: tin plated brass
- Female Screwlocks: nickel plated brass

Plugs with Boardlock

For quantities greater than listed, call for quote.

MOUSER STOCK NO.	TE Part No.	Fig.	Shell Size	No. of Positions	Plating Code	Mounting Hardware	Price Each		
							1	10	100
571-5749767-1	5749767-1	F	1	15	a	4-40 inserts			
571-5749768-1	5749768-1	F	1	15	a	4-40 screw locks			
571-5749769-1	5749769-1	F	2	26	a	4-40 inserts			
571-5749771-1	5749771-1	F	3	44	a	4-40 inserts			

Receptacles with Boardlock

For quantities greater than listed, call for quote.

MOUSER STOCK NO.	TE Part No.	Fig.	Shell Size	No. of Positions	Plating Code	Mounting Hardware	Price Each		
							1	10	100
571-1734530-3	1734530-3	G	1	15	a	4-40 screw locks			
571-1734344-1	1734344-1	G	1	15	b	4-40 inserts			
571-2-1734344-3	2-1734344-3	G	1	15	a	4-40 inserts			
571-5748481-5	5748481-5	G	2	26	a	4-40 screw locks			
571-5748482-5	5748482-5	G	3	44	a	4-40 inserts			

HD-20 STACKED PCB CONNECTORS

AMPLIMITE HD-20 Stacked PCB Connectors add the advantage of reducing overall board real estate normally consumed by individual PCB connectors.

- Materials:**
- Housing: UL94V-0, Thermoplastic, Black
 - Front Metal Shell: Tin Plated Steel
 - Boardlocks: Tin Plated Brass
 - Female Screwlocks: Nickel Plated Brass
 - Threaded Inserts: Tin Plated Brass
 - Brackets: Zinc
 - Contact Pins: Brass
 - Contact Sockets: Phosphor Bronze

- Plating: .000030 (0.00076) gold on mating end, tin on solder tails with overall nickel underplate



For quantities greater than listed, call for quote.

MOUSER STOCK NO.	TE Part No.	Fig.	Upper D-Sub	Lower D-Sub	Dimensions: in.			Mounting Hardware	Price Each		
					A	B	C		1	10	100
571-1734279-3	1734279-3	H	9p Plug	9p Plug	1.22	0.984	0.750	4-40 inserts			
571-1734285-3	1734285-3	H	9p Receptacle	9p Receptacle	1.22	0.984	0.750	4-40 inserts			

TE D-Sub Connectors and Hardware Kits

RoHS Compliant This product is RoHS compliant.

SERIES 109 CONNECTORS (FOR MIL-C-24308)

- Shell: steel, cadmium plated
- Standard mount



RoHS Compliant

For quantities greater than listed, call for quote.

MOUSER STOCK NO.	TE Part No.	Fig.	Shell Size	No. of Positions	Price Each		
					1	10	100
Plugs							
571-1757819-1	1757819-1	A	1	9			
571-1757819-2	1757819-2	A	2	15			
571-1757819-3	1757819-3	A	3	25			
571-1757819-4	1757819-4	A	4	37			
Receptacles							
571-1757820-1	1757820-1	B	1	9			
571-1757820-2	1757820-2	B	2	15			
571-1757820-3	1757820-3	B	3	25			
571-1757820-4	1757820-4	B	4	37			

Connector Contacts for Series 109 Connectors

- Wire Size: 20-24 AWG



RoHS Compliant

For quantities greater than listed, call for quote.

MOUSER STOCK NO.	TE Part No.	Fig.	Type	Price Each		
				1	100	1000
571-2050891	205089-1	C	Pin			
571-2050901	205090-1	C	Socket			

Tools

For quantities greater than listed, call for quote.

MOUSER STOCK NO.	AMP Part No.	Description	Price Each
571-910672	91067-2	Insertion/Extraction Tool	
571-6019661	601966-1	Crimp Tool	

HARDWARE AND ACCESSORIES

Male Screw Retainers Kits, Thread Size 4-40

Includes: male screw - retention clip - stainless steel

For quantities greater than listed, call for quote.

MOUSER STOCK NO.	TE Part No.	Fig.	Chromate Color	Price Each		
				1	10	100
For HDP-20, Metal Shell Connectors						
571-5205980-1	5205980-1	D	Yellow			
571-5205980-4	5205980-4	D	Clear			
For HDF-20, Metal-Shell and All-Plastic Connectors						
571-5746881-1	5746881-1	E	Yellow			

Female Screw Lock Kits, Thread Size 4-40

Includes two complete sets of: female screw, two flat washers, lock washer, and hex nut or square nut. Material and finish for all parts: cold rolled steel, zinc plated clear or yellow chromate.

For quantities greater than listed, call for quote.

MOUSER STOCK NO.	TE Part No.	Fig.	Chromate Color	Price Each		
				1	10	100
For HD-20 Right Angle Connectors, Plastic Shell						
571-5207952-1	5207952-1	F	Yellow			
571-5207952-3	5207952-3	F	Clear			
For HDE Connectors, Metal/All Plastic Shell						
571-5745563-1	5745563-1	G	Yellow			
571-5745563-3	5745563-3	G	Clear			
For HDP/HDF Connectors, Metal Shell/All Plastic						
571-5205817-1	5205817-1	G	Yellow			
571-5205817-3	5205817-3	G	Clear			
For HD Connectors, All Plastic with Integral Standoffs						
571-5207719-1	5207719-1	G	Yellow			
571-5207719-3	5207719-3	G	Clear			

Standard Spring Latch

Includes: two stainless steel spring latches

- For shell size 1-4

For quantities greater than listed, call for quote.

MOUSER STOCK NO.	TE Part No.	Fig.	Price Per Pkg. of 2		
			1	10	100
571-745779-2	745779-2	H			

Locking Post Assembly Kit

Includes two complete assemblies of: 4-40 post, two flat washers, lock washer, and hex nut. Material and finish for all parts: cold rolled steel, zinc plated yellow chromate.

For quantities greater than listed, call for quote.

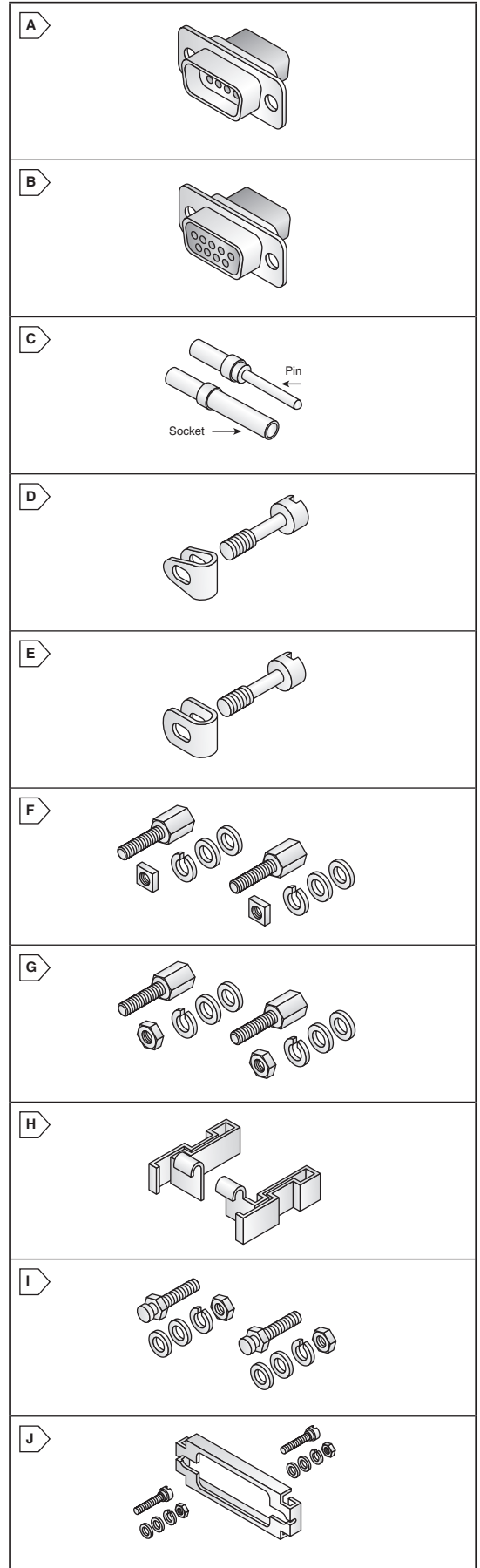
MOUSER STOCK NO.	TE Part No.	Fig.	Price Per Pkg. of 2		
			1	10	100
571-5206514-1	5206514-1	I			

Slide Latch Kit for Use with Shell Size 2

Includes: slide latch - steel and two complete assemblies of screw, two washers, and hex nut - steel, zinc plated yellow chromate.

For quantities greater than listed, call for quote.

MOUSER STOCK NO.	TE Part No.	Fig.	Price Per Pkg. of 2		
			1	10	100
571-5745583-5	5745583-5	J			



TE Connectivity "D" Connectors

TE CONNECTIVITY D-Sub Backshell Kits

 This product is RoHS compliant.

PLASTIC D-SUB BACKSHELLS

- Compact attractive design
- Complete with jackscrews
- 3.0mm to 11.0mm cable sizes
- Quick and easy to assemble

For quantities greater than listed, call for quote.

MOUSER STOCK NO.	TE Part No.	Fig.	Shell Size	No. of Positions	Cable Dia. Range (mm)	Price Each		
						1	25	50
571-1991253-9	1991253-9	A	1	9	3.0-11.0			
571-1-1991253-5	1-1991253-5	A	2	15	3.0-11.0			
571-2-1991253-5	2-1991253-5	A	3	25	3.0-11.0			
571-3-1991253-7	3-1991253-7	A	4	37	3.0-11.0			

DIE-CAST BACKSHELLS

- Straight or 45 degree cable entry
- Rugged compact design
- Excellent EMI/RFI shielding
- Lightweight and cost effective



For quantities greater than listed, call for quote.

MOUSER STOCK NO.	TE Part No.	Fig.	Shell Size	No. of Positions	Cable O.D. (max.)	Price Each		
						1	25	50
Straight Entry								
571-2198617-9	2198617-9	B	1	9	.512			
571-1-2198617-5	1-2198617-5	B	2	15	.512			
571-2-2198617-5	2-2198617-5	B	3	25	.512			
571-3-2198617-7	3-2198617-7	B	4	37	.512			
45 Degree Entry								
571-2198618-9	2198618-9	C	1	9	.512			
571-1-2198618-5	1-2198618-5	C	2	15	.512			
571-2-2198618-5	2-2198618-5	C	3	25	.512			
571-3-2198618-7	3-2198618-7	C	4	37	.512			

UNSHIELDED CABLE CLAMP KITS

These cable clamp assemblies can be used on either a plug or socket. All parts are packaged unassembled.

- Use with HDP metal shell
- Each kit includes: 1 hinged plastic clamp, 2 self-tapping screws, 1 strain-relief clip, 1 cable exit gate plug

For quantities greater than listed, call for quote.

MOUSER STOCK NO.	TE Part No.	Fig.	Shell Size	Cable O.D. (max.)	Price Each		
					1	10	100
Box and Lid, Straight / 90° Exit, Black Thermoplastic							
571-2074671	207467-1	D	1	.25"			
571-2074701	207470-1	D	2	.325"			
571-2073451	207345-1	E	3	.50"			
† 571-2074731	207473-1	E	4	.675"			
Box and Lid, Straight / 90° Exit w/ Male Screw Retainers							
571-5207908-1	5207908-1	D	1	.25"			
571-5207908-4	5207908-4	D	2	.325"			
571-5207908-7	5207908-7	E	3	.50"			
† 571-1-5207908-0	1-5207908-0	E	4	.675"			
Clam Shell, Straight / 45° Exit, Black Thermoplastic							
571-5205729-1	5205729-1	F	1	.256"			
571-5205730-1	5205730-1	F	2	.320"			
571-5205718-1	5205718-1	F	3	.420"			
571-5205731-1	5205731-1	F	4	.490"			
2 Piece Gray Nylon Housing							
571-5206471-1	5206471-1	G	2	.350"			
571-5206472-1	5206472-1	G	3	.335"			
571-5745081-1	5745081-1	G	4	.675"			
571-5745082-1	5745082-1	G	5	.775"			

† 90° Cable O.D.: .50" max.

STRAIGHT EXIT RF/EMI SHIELDS FOR JACKETED CABLE

- Metal-plated plastic shield: Thermoplastic, plated nickel over copper
- Die cast shield: Zinc alloy, plated bright nickel over bright copper

For quantities greater than listed, call for quote.

MOUSER STOCK NO.	TE Part No.	Fig.	Shell Size	Cable O.D. (max.)	Price Each		
					1	10	100
Metal Plated Plastic Shield Kits							
571-5745854-3	5745854-3	H	1	.25"			
571-5745854-1	5745854-1	H	1	.37"			
571-5747099-3	5747099-3	H	2	.38"			
571-5745833-7	5745833-7	H	3	.35"			
571-5745833-5	5745833-5	H	3	.43"			
Die Cast Shield Kits							
571-5745171-1	5745171-1	H	1	.25"			
571-5745172-2	5745172-2	H	2	.30"			
571-5745173-3	5745173-3	H	3	.43"			
571-5745174-4	5745174-4	H	4	.43"			
571-5745174-3	5745174-3	H	4	.50"			
571-5745175-1	5745175-1	H	5	.75"			
Die Cast Shield Kits with Grommets							
571-5748676-1	5748676-1	H	1	.32"			
571-5748676-2	5748676-2	H	2	.32"			
571-5748676-3	5748676-3	H	3	.47"			
571-5748676-4	5748676-4	H	4	.47"			
571-5748676-5	5748676-5	H	5	.47"			

HDP-20, ENCLOSURE KITS

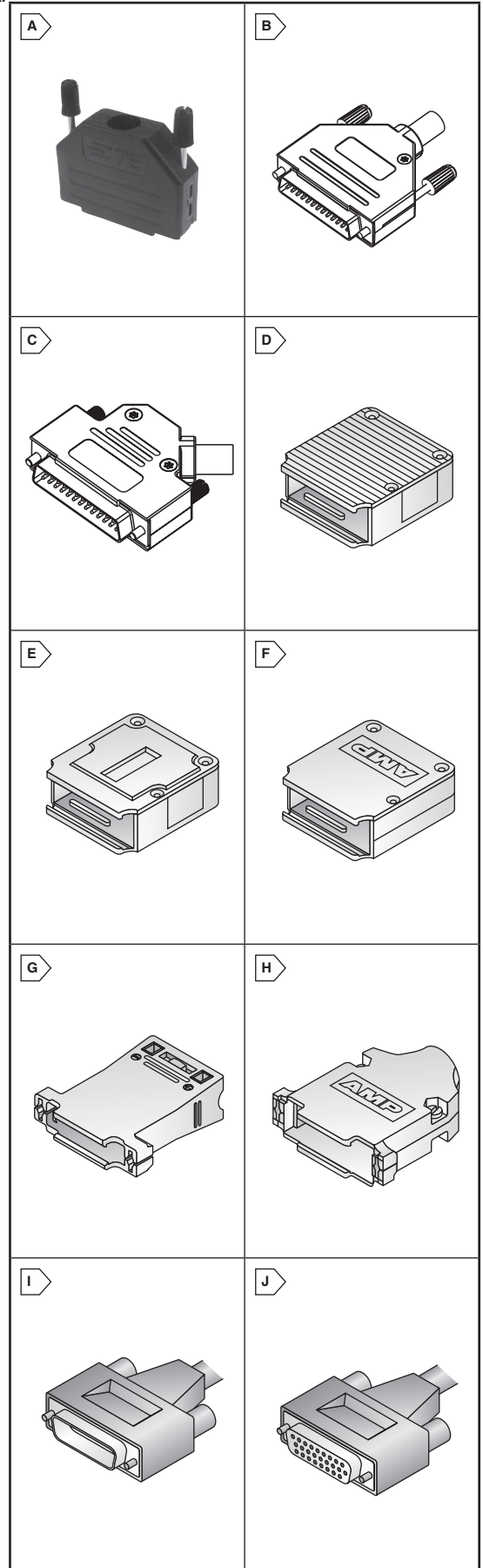
Each kit contains: connector, inner shield, outer shield, enclosure, and two jackscrews. Contacts and Ferrules must be ordered separately.

- Connector shell and shields: steel, tin plated
- Connector insert: UL 94V-0 black thermoplastic
- Enclosure: PVC

For quantities greater than listed, call for quote.

MOUSER STOCK NO.	TE Part No.	Fig.	Shell Size	No. of Positions	Cable O.D. (max.)	Price Each		
						1	10	100
Plug Kits								
571-1658655-1	1658655-1	I	1	9	.335"			
571-1658659-1	1658659-1	I	3	25	.455"			
Receptacle Kits								
571-1658654-1	1658654-1	J	1	9	.335"			
571-1658658-1	1658658-1	J	3	25	.455"			

© Copyright 2014 Mouser Electronics



"D" Connectors

TE Connectivity

© Copyright 2014 Mouser Electronics

TE CONNECTIVITY CHAMP® Connectors

RoHS Compliant This product is RoHS compliant.

CHAMP® SHIELDED CONNECTORS

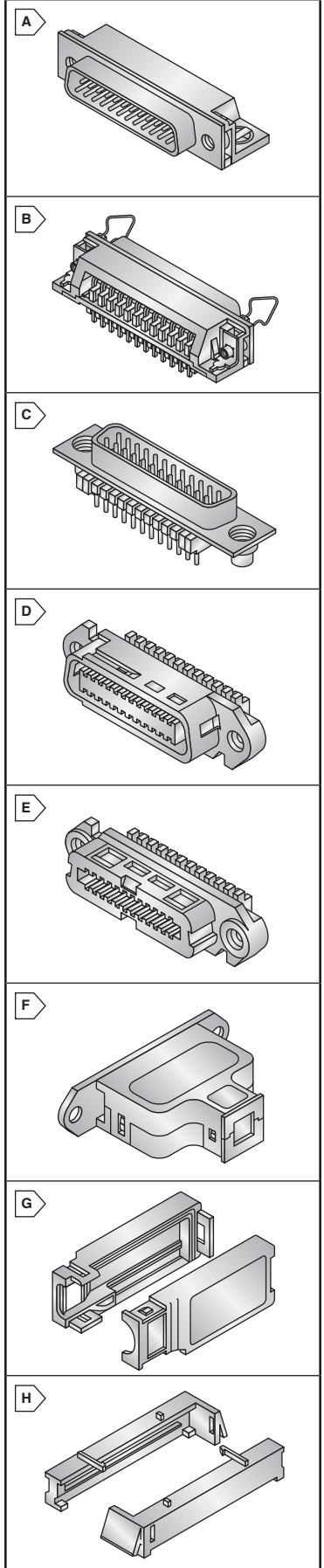
Specifications:

- Excellent protection from electromagnetic interference or electrostatic discharge
- Terminals: Selectively plated gold over nickel plated high strength copper alloy, tin plated tails
- Housing and Cover Materials: Thermoplastic, black

For quantities greater than listed, call for quote.

MOUSER STOCK NO.	TE Part No.	Fig.	No. of Pos.	Description	Hardware Type	Price Each			
						1	25	50	100
Right Angle, Preassembled									
571-5553811-1	5553811-1	A	24	Receptacle, 6-32 Thread Standard	Screw Lock				
571-5553813-3	5553813-3	A	50	Receptacle, 4-40 Thread Standard	Screw Lock				
Right Angle, Board Lock Grounding									
571-5555119-1	5555119-1	B	36	Receptacle, 4-40 Thread	Bail Lock				
* 571-5557932-2	5557932-2	B	50	Receptacle, 4-40 Thread	Screw Lock				
* 571-5555149-1	5555149-1	B	50	Receptacle, 4-40 Thread Standard	Bail Lock				
571-5555149-3	5555149-3	B	50	Receptacle, 4-40 Thread Reverse	Bail Lock				
Vertical Mount									
571-5554217-4	5554217-4	C	50	Receptacle, 4-40 Thread	- - -				
Hardware									
571-5540432	554043-2	-		Vertical Mount Standoff Stud (2 req.)					

*IBM PC AT and PC XT Compatible



CHAMP® IDC CONNECTORS

Specifications:

- Terminals: High strength copper alloy with 30µ gold over 50µ nickel
- Housing: Self-extinguishing thermoplastic
- Optional snap-on strain relief covers

For quantities greater than listed, call for quote.

MOUSER STOCK NO.	TE Part No.	Fig.	No. of Pos.	Description	Hardware Type	Price Each			
						1	25	50	100
24-26 AWG Solid, AWG Stranded									
571-5522831	552283-1	D	24	Plug	Screw Lock				
571-552313-1	552313-1	E	24	Receptacle	Screw/Bail Lock				
571-5522841	552284-1	D	36	Plug	Screw Lock				
571-2299741	229974-1	D	50	Plug, thick flange	Screw Lock				
571-2299751	229975-1	E	50	Receptacle, thick flange	Screw/Bail Lock				
571-5520321	552032-1	D	50	Plug	Bail Lock				
571-552285-1	552285-1	D	64	Plug	Screw Lock				
571-552315-1	552315-1	E	64	Receptacle	Screw/Bail Lock				
26-28 AWG, Stranded									
571-5523911	552391-1	E	50	Receptacle, thick flange	Screw Lock				
Integral Locking Latches									
571-5553921-1	5553921-1	E	50	Receptacle	Screw Lock				
Hardware									
571-5552568-1	5552568-1	-		Screw Lock Kit					
571-5552567-1	5552567-1	-		Bail Lock Kit					
* 571-5552567-2	5552567-2	-		Bent Bail Lock Kit					

*For use with 90° strain relief cover - one kit required per assembly

Strain Reliefs

For quantities greater than listed, call for quote.

MOUSER STOCK NO.	TE Part No.	Fig.	No. of Pos.	Cable Diameter Inch (mm)	Price Each			
					1	25	50	100
180° Snap-On								
571-5520761	552076-1	F	24	.230-.280 (5.84 - 7.11)				
571-25520761	2-552076-1	F	24	.320-.380 (8.13 - 9.65)				
571-5520735	552073-5	F	36	.360-.430 (9.14 - 10.92)				
571-25520081	2-552008-1	F	50	.380-.430 (9.65 - 10.92)				
571-5520081	552008-1	F	50	.430-.490 (10.92 - 12.45)				
571-552082-1	552082-1	F	64	.480-.540 (12.19 - 13.72)				
90° Snap-On								
571-552413-1	552413-1	G	24	.250-.300 (6.35 - 7.62)				
571-35524141	3-552414-1	G	36	.330-.380 (8.38 - 9.65)				
571-552011-1	552011-1	G	50	.415-.465 (10.54 - 11.81)				
571-5527311	552731-1	G	50	.475-.540 (12.07 - 13.72)				
571-5524961	552496-1	G	64	.410-.475 (10.41 - 12.07)				
571-25524961	2-552496-1	G	64	.540-.605 (13.72 - 15.37)				
Snap-On (2 Required Per Assembly)								
571-15520271	1-552027-1	H	50	-----				
571-1-552296-1	1-552296-1	H	64	-----				

© Copyright 2014 Mouser Electronics

For current pricing, visit mouser.com

© Copyright 2014 Mouser Electronics

AMPHENOL® 97 Series Circular Connectors Amphenol®

97 SERIES SOLDER TYPE (MIL-DTL-5015 STYLE) (CONT.)

How to build a standard Amphenol 97 series part number:

Combine the shell part number with insert arrangement number to complete the Amphenol part number. For Example: From the table below, combine a wall mount shell number (97-3100A-) with an insert number (18-16P) to create a complete Amphenol part number (97-3100A-18-16P). The standard Amphenol 97 series shells are constructed with a high grade aluminum alloy and come in a olive drab chromate finish. The blue diallyl-phthalate inserts have pre-installed silver plated contacts with solder cups. All connectors are shipped fully assembled, labeled, and individually packaged. For complete connector specifications and descriptions see the 2 previous pages.

*Mouser Part No. prefix is 654- (example of full Mouser part number: 654-PT02A-8-2P)

To make a mating receptacle - plug connection:

From the table below, select a plug combination off of the same line as the selected receptacle combination. For Example: A 97-3100A-18-16P wall mount receptacle will mate with any of the plugs with the 18-16S insert. Receptacles only mate with plugs on the same line.



Recognition
File #E115497



Certification
File # LR 69183

RoHS versions are available. Please contact your Mouser Sales Representative.

Receptacles

For quantities greater than listed, call for quote.

# of Pos.	Shell Size & Insert	Wall Mount *97-3100A-			Cable Mount *97-3101A-			Box Mount *97-3102A-		
		Price Each			Price Each			Price Each		
		1	5	10	1	5	10	1	5	10
1	18-16P									
1	18-16S									
2	10SL-4P									
2	12S-3P									
2	12S-3S									
3	10SL-3P									
3	14S-1P									
3	14S-1S									
3	14S-7P									
3	14S-7S									
3	16-10P									
3	16-10S									
4	14S-2P									
4	14S-2S									
4	18-4P									
4	18-4S									
4	18-10P									
4	18-10S									
4	20-4P									
4	20-4S									
5	14S-5S									
5	16S-8P									
5	16S-8S									
5	18-11P									
5	18-11S									
6	14S-6P									
6	14S-6S									
6	18-12P									
6	18-12S									
7	16S-1P									
7	16S-1S									
7	20-15P									
7	20-15S									
7	24-2P									
7	24-2S									
7	28-10P									
7	28-10S									
8	18-8P									
8	18-8S									
8	20-7P									
8	20-7S									
9	20-16P									
9	20-16S									
9	24-11P									
9	24-11S									
10	18-1P									
10	18-1S									
10	18-19P									
10	18-19S									
14	20-27P									
14	20-27S									
14	22-19P									
14	22-19S									
16	24-5S									
16	24-7P									
16	24-7S									
17	20-29P									
17	20-29S									
19	22-14P									
19	22-14S									
20	28-16P									
20	28-16S									
22	28-11P									
22	28-11S									
24	24-28P									
24	24-28S									
30	32-8P									
30	32-8S									
35	28-15P									
35	28-15S									
37	28-21P									
37	28-21S									

Mating Plugs

For quantities greater than listed, call for quote.

# of Pos.	Shell Size & Insert	Straight *97-3106A-			Straight w/Split Shell *97-3106B			Right Angle w/Split Shell *97-3108B		
		Price Each			Price Each			Price Each		
		1	5	10	1	5	10	1	5	10
1	18-16S									
1	18-16P									
2	10SL-4S				-	-	-			
2	12S-3S				-	-	-			
2	12S-3P				-	-	-			
3	10SL-3S				-	-	-			
3	14S-1S									
3	14S-1P									
3	14S-7S									
3	14S-7P									
3	16-10S				-	-	-			
3	16-10P				-	-	-			
4	14S-2S									
4	14S-2P									
4	18-4S									
4	18-4P									
4	18-10S									
4	18-10P									
4	20-4S									
4	20-4P									
5	14S-5P									
5	16S-8S									
5	16S-8P									
5	18-11S									
5	18-11P									
6	14S-6S									
6	14S-6P									
6	18-12S									
6	18-12P									
7	16S-1S									
7	16S-1P									
7	20-15S									
7	20-15P									
7	24-2S									
7	24-2P									
7	28-10S									
7	28-10P									
8	18-8S									
8	18-8P									
8	20-7S									
8	20-7P									
9	20-16S									
9	20-16P									
9	24-11S									
9	24-11P									
10	18-1S									
10	18-1P									
10	18-19S									
10	18-19P									
14	20-27S									
14	20-27P									
14	22-19S									
14	22-19P									
16	24-5P									
16	24-7S									
16	24-7P							-	-	-
17	20-29S									
17	20-29P									
19	22-14S									
19	22-14P									
20	28-16S									
20	28-16P									
22	28-11S									
22	28-11P									
24	24-28S									
24	24-28P									
30	32-8S									
30	32-8P									
35	28-15S									
35	28-15P									
37	28-21S									
37	28-21P									

Circular Connectors Amphenol

AMPHENOL® Circular Connectors and Backshells Amphenol®

AMPHENOL KTK HIGH PRESSURE DOWNHOLE CONNECTORS

Features:

- High Pressure: 20,000 PSI (137 MPA) bi-directional
- Medium and High Temperature versions: 200°C and 170°C
- Fully compatible with Kintec and GE Tensor layouts



RoHS Compliant

For quantities greater than listed, call for quote.

MOUSER STOCK NO.	Amphenol Part No.	Number of Contacts	Length (in.)	Price Each	
				1	5
High Temperature					
654-C10-686909-000	C10-686909-000	6 pin/4 socket	22.40		
654-C10-686910-000	C10-686910-000	4 pin/6 socket	22.40		
Medium Temperature					
654-C10-686927-000	C10-686927-000	6 pin/4 socket	22.42		
654-C10-686928-000	C10-686928-000	4 pin/6 socket	22.42		



AMPHENOL STRAIGHT BACKSHELLS WITH STRAIN RELIEF CLAMP (AS85049)

- MIL-DTL-38999 SERIES III & IV
- MIL-DTL-5015 CRIMP, MIL-DTL-26482 SERIES II, MIL-DTL-83723 SERIES I & II

NOTE: 90° and 45° angle backshells are available. Contact your Mouser sales representative for more information.

For quantities greater than listed, call for quote.

Nickel



Olive Drab Cadmium



For quantities greater than listed, call for quote.

MOUSER STOCK NO.	Amphenol Part No.	Shell Size	Finish*	Price Each			
				1	5	10	25
MIL-DTL-38999 Series III & IV							
523-85049/38-9W	M85049/38-9W	9	OD Cadmium				
523-85049/38-11W	M85049/38-11W	11	OD Cadmium				
523-85049/38-13W	M85049/38-13W	13	OD Cadmium				
523-85049/38-17W	M85049/38-17W	17	OD Cadmium				
523-85049/38-19W	M85049/38-19W	19	OD Cadmium				
523-85049/38-21W	M85049/38-21W	21	OD Cadmium				
523-85049/38-23W	M85049/38-23W	23	OD Cadmium				
523-85049/38-25W	M85049/38-25W	25	OD Cadmium				
523-85049/38-9N	M85049/38-9N	9	Nickel				
523-85049/38-11N	M85049/38-11N	11	Nickel				
523-85049/38-13N	M85049/38-13N	13	Nickel				
523-85049/38-15N	M85049/38-15N	15	Nickel				
523-85049/38-17N	M85049/38-17N	17	Nickel				
523-85049/38-19N	M85049/38-19N	19	Nickel				
523-85049/38-21N	M85049/38-21N	21	Nickel				
523-85049/38-23N	M85049/38-23N	23	Nickel				
523-85049/38-25N	M85049/38-25N	25	Nickel				
MIL-DTL-38999 Series III & IV Self-Locking							
523-85049/38S9W	M85049/38S9W	9	OD Cadmium				
523-85049/38S11W	M85049/38S11W	11	OD Cadmium				
523-85049/38S13W	M85049/38S13W	13	OD Cadmium				
523-85049/38S15W	M85049/38S15W	15	OD Cadmium				
523-85049/38S17W	M85049/38S17W	17	OD Cadmium				
523-85049/38S19W	M85049/38S19W	19	OD Cadmium				
523-85049/38S21W	M85049/38S21W	21	OD Cadmium				
523-85049/38S23W	M85049/38S23W	23	OD Cadmium				
523-85049/38S25W	M85049/38S25W	25	OD Cadmium				
523-85049/38S9N	M85049/38S9N	9	Nickel				
523-85049/38S11N	M85049/38S11N	11	Nickel				
523-85049/38S13N	M85049/38S13N	13	Nickel				
523-85049/38S15N	M85049/38S15N	15	Nickel				
523-85049/38S17N	M85049/38S17N	17	Nickel				
523-85049/38S19N	M85049/38S19N	19	Nickel				
523-85049/38S23N	M85049/38S23N	23	Nickel				
523-85049/38S25N	M85049/38S25N	25	Nickel				

* Black RoHS finish is available. Contact your Mouser sales representative for more information.

MOUSER STOCK NO.	Amphenol Part No.	Shell Size	Finish*	Price Each			
				1	5	10	25
MIL-DTL-5015 Crimp, MIL-DTL-26482 Series II, MIL-DTL-83723 Series I & II							
523-85049/52-1-8W	M85049/52-1-8W	8	OD Cadmium				
523-85049/52-1-10W	M85049/52-1-10W	10	OD Cadmium				
523-85049/52-1-12W	M85049/52-1-12W	12	OD Cadmium				
523-85049/52-1-14W	M85049/52-1-14W	14	OD Cadmium				
523-85049/52-1-16W	M85049/52-1-16W	16	OD Cadmium				
523-85049/52-1-18W	M85049/52-1-18W	18	OD Cadmium				
523-85049/52-1-20W	M85049/52-1-20W	20	OD Cadmium				
523-85049/52-1-22W	M85049/52-1-22W	22	OD Cadmium				
523-85049/52-1-8N	M85049/52-1-8N	8	Nickel				
523-85049/52-1-10N	M85049/52-1-10N	10	Nickel				
523-85049/52-1-12N	M85049/52-1-12N	12	Nickel				
523-85049/52-1-14N	M85049/52-1-14N	14	Nickel				
523-85049/52-1-16N	M85049/52-1-16N	16	Nickel				
523-85049/52-1-18N	M85049/52-1-18N	18	Nickel				
523-85049/52-1-20N	M85049/52-1-20N	20	Nickel				
523-85049/52-1-22N	M85049/52-1-22N	22	Nickel				
523-85049/52-1-24N	M85049/52-1-24N	24	Nickel				
MIL-DTL-5015 Crimp, MIL-DTL-26482 Series II, MIL-DTL-83723 Series I & II Self Locking							
523-85049/52S10W	M85049/52S10W	10	OD Cadmium				
523-85049/52S12W	M85049/52S12W	12	OD Cadmium				
523-85049/52S14W	M85049/52S14W	14	OD Cadmium				
523-85049/52S16W	M85049/52S16W	16	OD Cadmium				
523-85049/52S18W	M85049/52S18W	18	OD Cadmium				
523-85049/52S20W	M85049/52S20W	20	OD Cadmium				
523-85049/52S22W	M85049/52S22W	22	OD Cadmium				
MIL-DTL-38999 Series I & II							
523-85049/49-2-10W	M85049/49-2-10W	10	OD Cadmium				
523-85049/49-2-12W	M85049/49-2-12W	12	OD Cadmium				
523-85049/49-2-14W	M85049/49-2-14W	14	OD Cadmium				
523-85049/49-2-16W	M85049/49-2-16W	16	OD Cadmium				
523-85049/49-2-10N	M85049/49-2-10N	10	Nickel				
523-85049/49-2-14N	M85049/49-2-14N	14	Nickel				
523-85049/49-2-16N	M85049/49-2-16N	16	Nickel				
523-85049/49-2-18N	M85049/49-2-18N	18	Nickel				
523-85049/49-2-20N	M85049/49-2-20N	20	Nickel				
MIL-DTL-38999 Series I & II Self-Locking							
523-85049/49-2S10W	M85049/49-2S10W	10	OD Cadmium				
523-85049/49-2S16W	M85049/49-2S16W	16	OD Cadmium				

ENVIRONMENTALLY SEALED IN-LINE JUNCTIONS/LUMINOUS CONNECTORS

- Developed to meet MIL-T-81714 criteria
- Environmental sealing that meets ECA
- EIA-364D-03B to 12,000 feet
- Lock firmly together with straight push
- Unlock with a "twist and pull" (single splice) or "squeeze and pull" (triple splice)
- Accepts standard MIL-DTL-39029 contacts



RoHS Compliant



For quantities greater than listed, call for quote.

MOUSER STOCK NO.	Amphenol Part No.	Description	Diameter (in.)	Mated Length (in.)	Price Each		
					1	10	25
523-SJS716110	SJS716110	Single Splice Plug, Size 16; Red	0.39	1.65			
523-SJS716200	SJS716200	Single Splice Receptacle, Size 16, Blue	0.43	1.65			
523-SJS816100	SJS816100	Triple Splice Plug, Size 16, Red	0.70	1.60			
523-SJS816210	SJS816210	Triple Splice Receptacle, Size 16, White	0.70	1.60			
523-SJS820100	SJS820100	Triple Splice Plug, Size 20, Red	0.70	1.68			
523-SJS820120	SJS820120	Triple Splice Plug, Size 20, Blue	0.70	1.68			
523-SJS820200	SJS820200	Triple Splice Receptacle, Size 20, Red	0.70	1.68			



TERRAPIN MINIATURE RUGGED CONNECTOR SERIES

- Silent push/pull to mate and unmate
- IP68 mated and unmated
- 2000 mating cycles
- Proprietary Thermoplastic Polyester Elastomer

* Accessories are available- please contact Mouser sales representative for more information.



RoHS Compliant



For quantities greater than listed, call for quote.

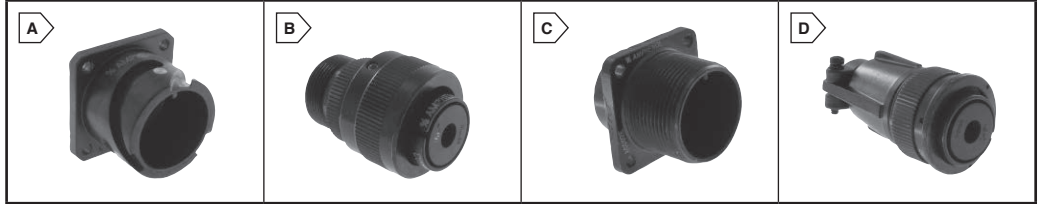
MOUSER STOCK NO.	Amphenol Part No.	Shell Size	Contacts	Color	Contact Type	Plug/Receptacle*	Price Each	
							1	5
523-SCE2B76A0607SN1	SCE2B76A0607SN001	6	7	Black/Silver	Socket	Plug		
523-SCE2B76A0714SN1	SCE2B76A0714SN001	7	14	Black/Silver	Socket	Plug		
523-SCE2B76A0714SN2	SCE2B76A0714SN002	7	14	Black/Silver	Socket	Plug		
523-SCE2B76A0819SN1	SCE2B76A0819SN001	8	19	Black/Silver	Socket	Plug		
523-SCE2B76A0819SN2	SCE2B76A0819SN002	8	19	Black/Silver	Socket	Plug		
523-SCE2BL1K0607PN	SCE2BL1K0607PN	6	7	Black/Silver	Pin	Receptacle		
523-SCE2B01K0714PN	SCE2B01K0714PN	7	14	Black/Silver	Pin	Receptacle		
523-SCE2BL1K0714PN	SCE2BL1K0714PN	7	14	Black/Silver	Pin	Receptacle		
523-SCE2BL1K0819PN	SCE2BL1K0819PN	8	19	Black/Silver	Pin	Receptacle		

RoHS Compliant This product is RoHS compliant.

RADSOK® AMPHE-POWER® GT

Features:

- IP67 rating
- Supports 50A to 1000A continuous duty
- Ideal for wind energy applications



Mating Receptacles

For quantities greater than listed, call for quote.

Reverse Bayonet Straight Plugs

For quantities greater than listed, call for quote.

No. of Pos.	Insert	Contact Size	Wire Range	MOUSER STOCK NO.	Amphenol Part No.	Fig.	Contact Type	Price Each		MOUSER STOCK NO.	Amphenol Part No.	Fig.	Contact Type	Price Each	
								1	5					1	5
1	18-7	#8	8 AWG	654-GTC03018-7P025	GTC03018-7P(025)	A	Pin			654-GTC06F187SRDS	GTC06F18-7S(RDS)(025)	B	RADSOK		
2	22-1	#8	8 AWG	654-GTC03022-1P025	GTC03022-1P(025)	A	Pin			654-GTC06F221SRDS	GTC06F22-1S(RDS)(025)	B	RADSOK		
3	20-19	#8	8 AWG	654-GTC03020-19P025	GTC03020-19P(025)	A	Pin			654-GTC06F2019SRDS	GTC06F20-19S(RDS)(025)	B	RADSOK		
1	16-12	#4	4 AWG	654-GTC03016-12P025	GTC03016-12P(025)	A	Pin			654-GTC06F1612SRDS	GTC06F16-12S(RDS)(025)	B	RADSOK		
1	22-7	#0	0 AWG	654-GTC03022-7P025	GTC03022-7P(025)	A	Pin			654-GTC06F227SRDS	GTC06F22-7S(RDS)(025)	B	RADSOK		
4	36-5	#0	0 AWG	654-GTC03036-5P025	GTC03036-5P(025)	A	Pin			654-GTC06F365SRDS	GTC06F36-5S(RDS)(025)	B	RADSOK		

Mating Box Mount Receptacles

Straight Plugs

No. of Pos.	Insert	Contact Size	Wire Range	MOUSER STOCK NO.	Amphenol Part No.	Fig.	Contact Type	Price Each		MOUSER STOCK NO.	Amphenol Part No.	Fig.	Contact Type	Price Each	
								1	5					1	5
2	22-1	#8	8 AWG	654-ACC02E22-1P025	ACC02E22-1P(025)	C	Pin			654-ACC06E22-1R025	ACC06E22-1R(025)	D	RADSOK		
3	20-19	#8	8 AWG	654-ACC02E20-19P025	ACC02E20-19P(025)	C	Pin			654-ACC06E20-19R025	ACC06E20-19R(025)	D	RADSOK		
4	22-22	#8	8 AWG	654-ACC02E22-22P025	ACC02E22-22P(025)	C	Pin			654-ACC06E22-22R025	ACC06E22-22R(025)	D	RADSOK		
1	16-12	#4	4 AWG	654-ACC02E16-12P025	ACC02E16-12P(025)	C	Pin			654-ACC06E16-12R025	ACC06E16-12R(025)	D	RADSOK		
4	32-17	#4	4 AWG	654-ACC02E32-17P025	ACC02E32-17P(025)	C	Pin			654-ACC06E32-17R025	ACC06E32-17R(025)	D	RADSOK		
1	22-7	#0	0 AWG	654-ACC02E22-7P025	ACC02E22-7P(025)	C	Pin			654-ACC06E22-7R025	ACC06E22-7R(025)	D	RADSOK		
2	32-5	#0	0 AWG	654-ACC02E32-5P025	ACC02E32-5P(025)	C	Pin			654-ACC06E32-5R025	ACC06E32-5R(025)	D	RADSOK		
4	36-5	#0	0 AWG	654-ACC02E36-5P025	ACC02E36-5P(025)	C	Pin			654-ACC06E36-5R025	ACC06E36-5R(025)	D	RADSOK		

ECO MATE CIRCULAR CONNECTORS, SERIES C16-M

The Eco mate Series is designed to have ease of operation using reduced dimensions while withstanding harsh conditions. This series is compatible and interchangeable with the well established C16-1 Series. The connector is primarily used for measuring and controlling applications such as control technology for engineering. Ideal for green energy applications.

Features:

- Quick and easy assembly
- Vibration safe with non-sensitive screw locking
- Ergonomic coupling sleeve for better grip and safer handling
- Pre-loaded ground contact
- Screwed cable gland with clamping ring; threaded cable gland

Specifications:

- Cable O.D.: 6 - 12.5mm
- Contact Plating: Silver
- IP Degree: IP65/IP67 (DIN EN 60529)
- Temperature range: -40°C to +100°C



Cable Connectors

For quantities greater than listed, call for quote.

MOUSER STOCK NO.	Amphenol Part No.	Fig.	No. of Contacts	Plating	Color	Termination Type	Voltage	Current	AWG Size	Price Each		
										1	10	50
Male, Straight with Clamping Ring												
523-C01620H00310010	C016 20H003 100 10	A	3 + PE	Silver	Blue	Screw	400V	16A	14			
523-C01620H00310012	C016 20H003 100 12	A	3 + PE	Silver	Black	Screw	400V	16A	14			
523-C01620H00320010	C016 20H003 200 10	A	3 + PE	Gold	Blue	Screw	400V	12A	14			
523-C01620H00320012	C016 20H003 200 12	A	3 + PE	Gold	Black	Screw	400V	12A	14			
523-C01630H00610010	C016 30H006 100 10	A	6 + PE	Silver	Blue	Solder	250V	10A	20			
523-C01630H00610012	C016 30H006 100 12	A	6 + PE	Silver	Black	Solder	250V	10A	20			
523-C01630H00620010	C016 30H006 200 10	A	6 + PE	Gold	Blue	Solder	250V	8A	20			
Male, Straight with Internal Strain Relief												
523-C01620H00311010	C016 20H003 110 10	A	3 + PE	Silver	Blue	Screw	400V	16A	14			
523-C01620H00311012	C016 20H003 110 12	A	3 + PE	Silver	Black	Screw	400V	16A	14			
523-C01630H00611010	C016 30H006 110 10	A	6 + PE	Silver	Blue	Solder	250V	10A	20			
523-C01630H00611012	C016 30H006 110 12	A	6 + PE	Silver	Black	Solder	250V	10A	20			
Male, Right Angle with Clamping Ring												
523-C01620K00310012	C016 20K003 100 12	B	3 + PE	Silver	Black	Screw	400V	16A	14			
523-C01630K00610012	C016 30K006 100 12	B	6 + PE	Silver	Black	Solder	250V	10A	20			
Female, Straight with Clamping Ring												
523-C01620D00310010	C016 20D003 100 10	C	3 + PE	Silver	Blue	Screw	400V	16A	14			
523-C01620D00310012	C016 20D003 100 12	C	3 + PE	Silver	Black	Screw	400V	16A	14			
523-C01620D00320012	C016 20D003 200 12	C	3 + PE	Gold	Black	Screw	400V	12A	14			
523-C01630D00610010	C016 30D006 100 10	C	6 + PE	Silver	Blue	Solder	250V	10A	20			
523-C01630D00610012	C016 30D006 100 12	C	6 + PE	Silver	Black	Solder	250V	10A	20			
Female, Straight with Internal Strain Relief												
523-C01620D00311010	C016 20D003 110 10	C	3 + PE	Silver	Blue	Screw	400V	16A	14			
523-C01620D00311012	C016 20D003 110 12	C	3 + PE	Silver	Black	Screw	400V	16A	14			
523-C01630D00611010	C016 30D006 110 10	C	6 + PE	Silver	Blue	Solder	250V	10A	20			
523-C01630D00611012	C016 30D006 110 12	C	6 + PE	Silver	Black	Solder	250V	10A	20			
523-C01630D00621010	C016 30D006 210 10	C	6 + PE	Gold	Blue	Solder	250V	8A	20			
Female, Right Angle with Clamping Ring												
523-C01620F00310010	C016 20F003 100 10	D	3 + PE	Silver	Blue	Screw	400V	16A	14			
523-C01620F00310012	C016 20F003 100 12	D	3 + PE	Silver	Black	Screw	400V	16A	14			
523-C01630F00610010	C016 30F006 100 10	D	6 + PE	Silver	Blue	Solder	250V	10A	20			
523-C01630F00610012	C016 30F006 100 12	D	6 + PE	Silver	Black	Solder	250V	10A	20			

Panel Receptacles

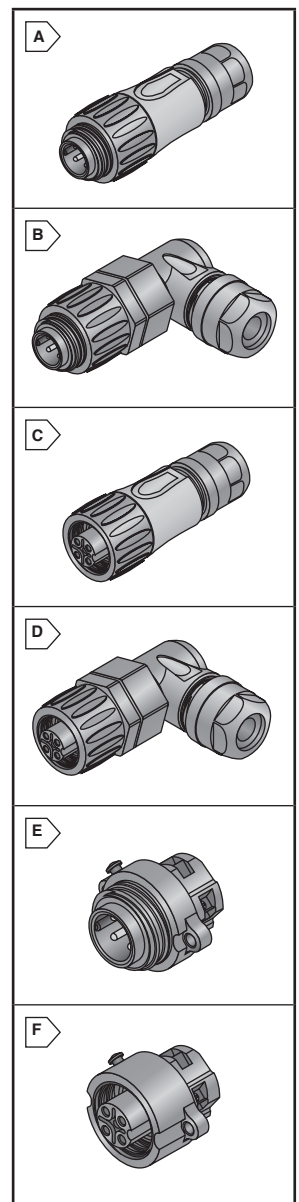
For quantities greater than listed, call for quote.

MOUSER STOCK NO.	Amphenol Part No.	Fig.	No. of Contacts	Plating	Color	Termination Type	Voltage	Current	AWG Size	Price Each		
										1	10	50
Male												
523-C01610C00600012	C016 10C006 000 12	E	6 + PE	Silver	Black	Crimp	250V	13A	14			
523-C01620C00310012	C016 20C003 100 12	E	3 + PE	Silver	Black	Screw	400V	16A	14			
523-C01630C00610012	C016 30C006 100 12	E	6 + PE	Silver	Black	Solder	250V	10A	20			
Female												
523-C01620G00310012	C016 20G003 100 12	F	3 + PE	Silver	Black	Screw	400V	16A	14			
523-C01630G00610012	C016 30G006 100 12	F	6 + PE	Silver	Black	Solder	250V	10A	20			

Protective Caps

For quantities greater than listed, call for quote.

MOUSER STOCK NO.	Amphenol Part No.	Description	Price Each		
			1	10	50
523-C01600U00001012	C016 00U000 010 12	Protective Cover for Male Cable Connector			
523-C01600U000001012	C016 00U000 000 12	Protective Cover for Male Receptacle			
523-C01600V00001012	C016 00V000 010 12	Protective Cover for Female Cable Connector			
523-C01600V000001012	C016 00V000 000 12	Protective Cover for Female Receptacle			
523-C01600W0000001	C016 00W000 000 1	Protective Cover for Female Receptacle			



Circular Connectors Amphenol

AMPHENOL® Rugged Circular DIN Connectors

Amphenol®

RoHS Compliant This product is RoHS compliant.

CIRCULAR DIN CONNECTORS, SERIES C091A

Features:

- Metal locking ring; screw locking according to DIN EN 60130-9/IEC 60130-9
- Internal metal strain relief with half shell construction and snap-in latching
- UL Approval File # E63093
- Complete EMI shielding in fully mated and locked position
- Solder termination
- Cable connector length: 2.658"
- Cable connector diameter: .670"

*Contact plating: silver unless noted with (Gold)



Male Cable Connector, Max. Cable O.D = 6mm

For quantities greater than listed, call for quote.

MOUSER STOCK NO.	Amphenol Part No.	Fig.	No. of Contacts	Voltage (IEC 60664-1)	Current (IEC 60512-3)	AWG Size	Price Each		
							1	10	50
523-T3260-001	T 3260 001	A	3 DIN	300V	5A	20-26			
523-T3300-001	T 3300 001	A	4 IEC	300V	5A	20-26			
* 523-T3300-018	T 3300 018	A	4 IEC	300V	5A	20-26			
523-T3360-001	T 3360 001	A	5	300V	5A	20-26			
* 523-T3360-018	T 3360 018	A	5	300V	5A	20-26			
523-T3400-001	T 3400 001	A	6 DIN	300V	5A	20-26			
523-T3475-001	T 3475 001	A	7	300V	5A	20-26			
523-T3504-001	T 3504 001	A	8 DIN	100V	5A	20-26			
523-T3635-001	T 3635 001	A	12	150V	3A	20-26			
523-T3650-001	T 3650 001	A	14	150V	3A	24			

Female Cable Connector, Max. Cable O.D = 6mm

For quantities greater than listed, call for quote.

MOUSER STOCK NO.	Amphenol Part No.	Fig.	No. of Contacts	Voltage (IEC 60664-1)	Current (IEC 60512-3)	AWG Size	Price Each		
							1	10	50
523-T3261-001	T 3261 001	B	3 DIN	300V	5A	20-26			
523-T3301-001	T 3301 001	B	4 IEC	300V	5A	20-26			
523-T3361-001	T 3361 001	B	5	300V	5A	20-26			
523-T3401-001	T 3401 001	B	6 DIN	300V	5A	20-26			
523-T3476-001	T 3476 001	B	7	300V	5A	20-26			
523-T3505-001	T 3505 001	B	8 DIN	100V	5A	20-26			
523-T3651-001	T 3651 001	B	14	150V	3.4	24			

Female Panel Receptacle, Front Mounting

For quantities greater than listed, call for quote.

MOUSER STOCK NO.	Amphenol Part No.	Fig.	No. of Contacts	Voltage (IEC 60664-1)	Current (IEC 60512-3)	AWG Size	Price Each		
							1	10	50
523-T3263-000	T 3263 000	C	3 DIN	300V	5A	20-26			
523-T3303-000	T 3303 000	C	4 IEC	300V	5A	20-26			
* 523-T3303-018	T 3303 018	C	4 IEC	300V	5A	20-26			
523-T3363-000	T 3363 000	C	5	300V	5A	20-26			
523-T3403-000	T 3403 000	C	6 DIN	300V	5A	20-26			
523-T3478-000	T 3478 000	C	7	300V	5A	20-26			
* 523-T3478-018	T 3478 018	C	7	300V	5A	20-26			
523-T3507-000	T 3507 000	C	8 DIN	100V	5A	20-26			

Male Panel Receptacle, Front Mounting

For quantities greater than listed, call for quote.

MOUSER STOCK NO.	Amphenol Part No.	Fig.	No. of Contacts	Voltage (IEC 60664-1)	Current (IEC 60512-3)	AWG Size	Price Each		
							1	10	50
523-T3262-000	T 3262 000	D	3 DIN	300V	5A	20-26			
523-T3302-000	T 3302 000	D	4 IEC	300V	5A	20-26			
523-T3362-000	T 3362 000	D	5	300V	5A	20-26			
523-T3402-000	T 3402 000	D	6 DIN	300V	5A	20-26			
523-T3477-000	T 3477 000	D	7	300V	5A	20-26			
523-T3506-000	T 3506 000	D	8 DIN	100V	5A	20-26			

BAYONET LOCKING CIRCULAR DIN CONNECTORS, SERIES C091B

Features:

- Internal metal strain relief with half shell and snap-in locking
- UL Approval File # E63093
- Complete EMI shielding in fully mated and locked position
- Solder termination



Male Cable Connector, Bayonet Locking Inside

For quantities greater than listed, call for quote.

MOUSER STOCK NO.	Amphenol Part No.	Fig.	No. of Contacts	Voltage (IEC 60664-1)	Current (IEC 60512-3)	AWG Size	Price Each		
							1	10	50
523-T3274-501	T 3274 501	E	3 DIN	300V	5A	20 - 26			
523-T3324-501	T 3324 501	E	4 IEC	300V	5A	20 - 26			
523-T3374-501	T 3374 501	E	5	300V	5A	20 - 26			
523-T3424-501	T 3424 501	E	6 DIN	300V	5A	20 - 26			
523-T3434-501	T 3434 501	E	7	300V	5A	20 - 26			
523-T3524-501	T 3524 501	E	8 DIN	150V	5A	20 - 26			

Female Cable Connector, Bayonet Locking Outside

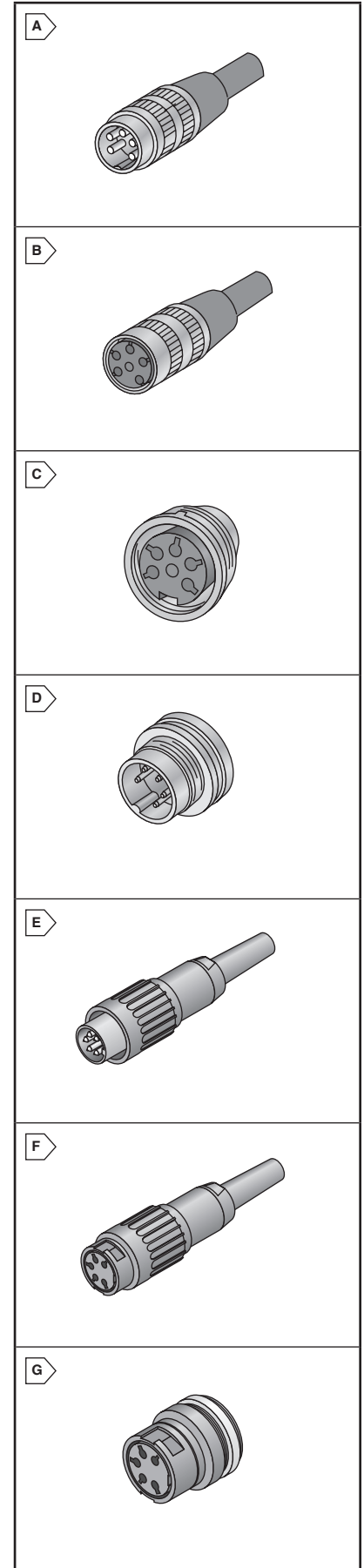
For quantities greater than listed, call for quote.

MOUSER STOCK NO.	Amphenol Part No.	Fig.	No. of Contacts	Voltage (IEC 60664-1)	Current (IEC 60512-3)	AWG Size	Price Each		
							1	10	50
523-T3278-501	T 3278 501	F	3 DIN	300V	5A	20 - 26			
523-T3328-501	T 3328 501	F	4 IEC	300V	5A	20 - 26			
523-T3428-501	T 3428 501	F	6 DIN	300V	5A	20 - 26			
523-T3438-501	T 3438 501	F	7	300V	5A	20 - 26			
523-T3528-501	T 3528 501	F	8 DIN	150V	5A	20 - 26			

Female Panel Receptacle, Bayonet Locking Outside, Rear Mounting

For quantities greater than listed, call for quote.

MOUSER STOCK NO.	Amphenol Part No.	Fig.	No. of Contacts	Voltage (IEC 60664-1)	Current (IEC 60512-3)	AWG Size	Price Each		
							1	10	50
523-T3277-100	T 3277 100	G	3 DIN	300V	5A	20 - 26			
523-T3327-100	T 3327 100	G	4 IEC	300V	5A	20 - 26			
523-T3377-100	T 3377 100	G	5	300V	5A	20 - 26			
523-T3427-100	T 3427 100	G	6 DIN	300V	5A	20 - 26			



BULGIN 400 Series Buccaneer® Sealed Connectors

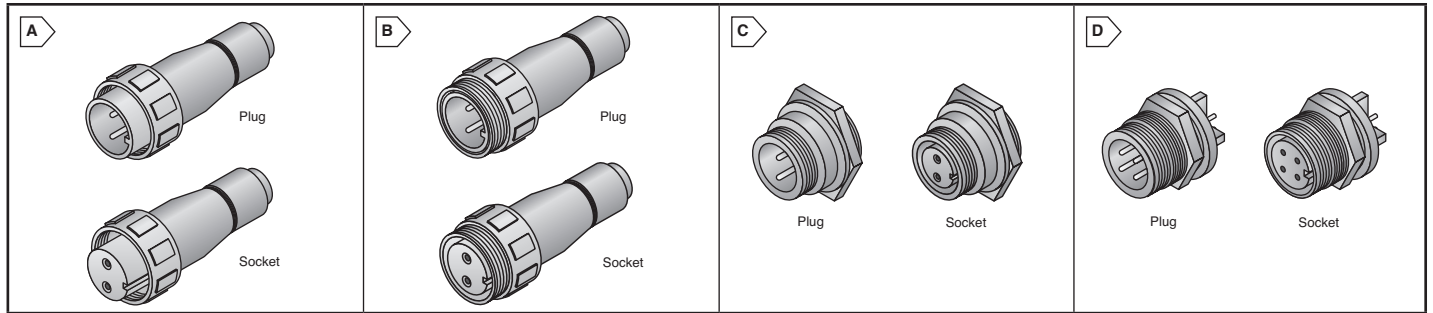


This product is RoHS compliant.

400 SERIES BUCCANEER® ENVIRONMENTALLY SEALED CONNECTORS

Specifications:

- Sealed to IP68 when mated
- Contact inserts are part of body moulding
- Cable range from 3 to 7mm
- Diameter over coupling ring 19.1mm
- Flame retardant moulding material: Polyamide UL94V-0
- RoHS Compliant per Bulgin documentation
- Secure sealing system
- UL, CSA, and VDE approvals



Flex Cable Connectors

- Mates with flex in-line or panel mounting versions
- Screw locking ring
- Contacts supplied separately
- RoHS Compliant per Bulgin documentation



RoHS Compliant

For quantities greater than listed, call for quote.

MOUSER STOCK NO.	Bulgin Part No.	Fig.	Poles	Cable Dia. (mm)	Price Each			
					1	25	50	100
Plugs								
177-PX0410/02P	PX0410/02P/5560	A	2	5.5-6.0				
177-PX0410/03P	PX0410/03P/5560	A	3	5.5-6.0				
177-PX0410/04P	PX0410/04P/4550	A	4	4.5-5.0				
177-PX0410/06P	PX0410/06P/4550	A	6	4.5-5.0				
177-PX0410/08P	PX0410/08P/6065	A	8	6.0-6.5				
177-PX0410/10P	PX0410/10P/6065	A	10	6.0-6.5				
177-PX0410/12P	PX0410/12P/6065	A	12	6.0-6.5				
Sockets								
167-PX0410/02S	PX0410/02S/5560	A	2	5.5-6.0				
167-PX0410/03S	PX0410/03S/5560	A	3	5.5-6.0				
167-PX0410/04S	PX0410/04S/4550	A	4	4.5-5.0				
167-PX0410/06S	PX0410/06S/4550	A	6	4.5-5.0				
167-PX0410/08S	PX0410/08S/6065	A	8	6.0-6.5				
167-PX0410/10S	PX0410/10S/6065	A	10	6.0-6.5				
167-PX0410/12S	PX0410/12S/6065	A	12	6.0-6.5				

In-Line Flex Cable Connectors

- Mates with flex cable version
- For in-line cable connection
- Contacts supplied separately
- RoHS Compliant per Bulgin documentation



RoHS Compliant

For quantities greater than listed, call for quote.

MOUSER STOCK NO.	Bulgin Part No.	Fig.	Poles	Cable Dia. (mm)	Price Each			
					1	25	50	100
Plugs								
177-PX0411/02P	PX0411/02P/5560	B	2	5.5-6.0				
177-PX0411/03P	PX0411/03P/5560	B	3	5.5-6.0				
177-PX0411/04P	PX0411/04P/4550	B	4	4.5-5.0				
177-PX0411/06P	PX0411/06P/4550	B	6	4.5-5.0				
177-PX0411/08P	PX0411/08P/6065	B	8	6.0-6.5				
177-PX0411/10P	PX0411/10P/6065	B	10	6.0-6.5				
177-PX0411/12P	PX0411/12P/6065	B	12	6.0-6.5				
Sockets								
167-PX0411/02S	PX0411/02S/5560	B	2	5.5-6.0				
167-PX0411/03S	PX0411/03S/5560	B	3	5.5-6.0				
167-PX0411/04S	PX0411/04S/4550	B	4	4.5-5.0				
167-PX0411/06S	PX0411/06S/4550	B	6	4.5-5.0				
167-PX0411/08S	PX0411/08S/6065	B	8	6.0-6.5				
167-PX0411/10S	PX0411/10S/6065	B	10	6.0-6.5				
167-PX0411/12S	PX0411/12S/6065	B	12	6.0-6.5				

400 Series Buccaneer® Contacts

- Contacts supplied in packs of 10, 1 ea. = 1 pack of 10
- RoHS Compliant per Bulgin documentation



RoHS Compliant

For quantities greater than listed, call for quote.

MOUSER STOCK NO.	Bulgin Part No.	Gender	Termination	For Use with Poles	Price Each			
					1	25	50	100
157-SA3350/1	SA3350/1	Plug	Solder	2,3				
157-SA3349/1	SA3349/1	Socket	Solder	2,3				
157-SA3350	SA3350	Plug	Crimp	2,3				
157-SA3349	SA3349	Socket	Crimp	2,3				
157-SA3348/1	SA3348/1	Plug	Solder	4,6,8				
157-SA3347/1	SA3347/1	Socket	Solder	4,6,8				
157-SA3348	SA3348	Plug	Crimp	4,6,8				
157-SA3347	SA3347	Socket	Crimp	4,6,8				
157-SA3180/1	SA3180/1	Plug	Solder	10,12				
157-SA3179/1	SA3179/1	Socket	Solder	10,12				

Front Panel Mounting Connectors

- Mates with flex cable version
- Single hole fixing
- Contacts supplied separately
- RoHS Compliant per Bulgin documentation



RoHS Compliant

For quantities greater than listed, call for quote.

MOUSER STOCK NO.	Bulgin Part No.	Fig.	Poles	Price Each			
				1	25	50	100
Plugs							
177-PX0412/02P	PX0412/02P	C	2				
177-PX0412/03P	PX0412/03P	C	3				
177-PX0412/04P	PX0412/04P	C	4				
177-PX0412/06P	PX0412/06P	C	6				
177-PX0412/08P	PX0412/08P	C	8				
177-PX0412/10P	PX0412/10P	C	10				
177-PX0412/12P	PX0412/12P	C	12				
Sockets							
167-PX0412/02S	PX0412/02S	C	2				
167-PX0412/03S	PX0412/03S	C	3				
167-PX0412/04S	PX0412/04S	C	4				
167-PX0412/06S	PX0412/06S	C	6				
167-PX0412/08S	PX0412/08S	C	8				
167-PX0412/10S	PX0412/10S	C	10				
167-PX0412/12S	PX0412/12S	C	12				

Rear Panel Mounting Connectors

- Mates with flex cable version
- Single hole fixing
- Supplied with pre-loaded gold plated contacts
- RoHS Compliant per Bulgin documentation



RoHS Compliant

For quantities greater than listed, call for quote.

MOUSER STOCK NO.	Bulgin Part No.	Fig.	Poles	Price Each			
				1	25	50	100
Plugs							
177-PX0413/04P/PC	PX0413/04P/PC	D	4				
177-PX0413/06P/PC	PX0413/06P/PC	D	6				
177-PX0413/08P/PC	PX0413/08P/PC	D	8				
177-PX0413/10P/PC	PX0413/10P/PC	D	10				
177-PX0413/12P/PC	PX0413/12P/PC	D	12				
Sockets							
167-PX0413/04S/PC	PX0413/04S/PC	D	4				
167-PX0413/06S/PC	PX0413/06S/PC	D	6				
167-PX0413/08S/PC	PX0413/08S/PC	D	8				
167-PX0413/12S/PC	PX0413/12S/PC	D	12				

400 Series Buccaneer® Tools

For quantities greater than listed, call for quote.

MOUSER STOCK NO.	Bulgin Part No.	Description	Price Each	
			1	25
157-13027/2	13027/2	Insertion/Extraction Tool for 2, 3 Pole		
157-13027/1	13027/1	Insertion/Extraction Tool for 4, 6, 8 Pole		
157-13027	13027	Insertion/Extraction Tool for 10, 12 Pole		
157-14025	14025	8 Indent Crimp Tool	1	5
157-14025/8AMP	14025/8AMP	Positioner for 2, 3 Pole - 8A, Blue		
157-14025/5AMP	14025/5AMP	Positioner for 4, 6, 8 Pole - 5A, Red		

400 Series Buccaneer® Accessories

- RoHS Compliant per Bulgin documentation



RoHS Compliant

For quantities greater than listed, call for quote.

MOUSER STOCK NO.	Bulgin Part No.	Description	Price Each			
			1	25	50	100
157-PX0481	PX0481	Sealing Cap for PX0410 type				
157-PX0480/1	PX0480/1	Sealing Cap for PX0411 type				
157-PX0480	PX0480	Sealing Cap for PX0412 type				
157-PX0484	PX0484	Sealing Cap for PX0413 type				
157-PX0482	PX0482	Gland Pack for 3-5mm cable dia.				
157-PX0483	PX0483	Gland Pack for 5-7mm cable dia.				

BULGIN 900 Series Large Buccaneer® Sealed Connectors **B**BULGIN



This product is RoHS compliant.

900 SERIES LARGE BUCCANEER® ENVIRONMENTALLY SEALED CONNECTORS

Specifications:

- Water and dustproof to IP68 when mated
- Positive locating keyways - cannot be mis-connected
- Compact design
- Easy assembly - no special tools required
- UL, CSA, and VDE approved
- Axial screw terminals
- Current rating: 2, 3, 4, 5, & 7 poles 32A
10 poles 10A
- Voltage rating: 2, 3, 4, & 5 poles 600V,
7 poles 430V, 10 poles 250V
- Contact resistance: <10mΩ initial
- Insulation resistance: >10⁹MΩ @ 500 VDC
- Operating temperature: -40°C to +85°C
- Body material: Polyamide UL94V-0
- Contact material: Machined solid brass, nickel plated
- Cable Diameter: PX0: 13-15mm
PXA: 20-22mm

Flex Cable Connectors

- Mates with in-line flex, panel or flange mounting versions
- Positive, fast acting locking ring - can be turned with a gloved hand
- PXA - strain relief clamp included
- RoHS Compliant per Bulgin documentation

For quantities greater than listed, call for quote.

MOUSER STOCK NO.	Bulgin Part No.	Fig.	Poles	Cable Dia. (mm)	Price Each		
					1	25	50
Plugs							
177-PX0911/02/P	PX0911/02/P	A	2	13-15			
177-PX0911/03/P	PX0911/03/P	A	3	13-15			
177-PX0911/04/P	PX0911/04/P	A	4	13-15			
177-PX0911/05/P	PX0911/05/P	A	5	13-15			
177-PXA911/07/P	PXA911/07/P	A	7	20-22			
177-PXA911/10/P	PXA911/10/P	A	10	20-22			
Sockets							
167-PX0911/02/S	PX0911/02/S	A	2	13-15			
167-PX0911/03/S	PX0911/03/S	A	3	13-15			
167-PX0911/04/S	PX0911/04/S	A	4	13-15			
167-PX0911/05/S	PX0911/05/S	A	5	13-15			
167-PXA911/07/S	PXA911/07/S	A	7	20-22			
167-PXA911/10/S	PXA911/10/S	A	10	20-22			

In-Line Flex Cable Connectors

- Mates with flex cable version
- PXA - strain relief clamp included

For quantities greater than listed, call for quote.

MOUSER STOCK NO.	Bulgin Part No.	Fig.	Poles	Cable Dia. (mm)	Price Each		
					1	25	50
Plugs							
177-PX0921/03/P	PX0921/03/P	B	3	13-15			
177-PX0921/04/P	PX0921/04/P	B	4	13-15			
177-PXA921/07/P	PXA921/07/P	B	7	20-22			
177-PXA921/10/P	PXA921/10/P	B	10	20-22			
Sockets							
167-PX0921/02/S	PX0921/02/S	B	2	13-15			
167-PX0921/03/S	PX0921/03/S	B	3	13-15			
167-PX0921/04/S	PX0921/04/S	B	4	13-15			
167-PX0921/05/S	PX0921/05/S	B	5	13-15			
167-PXA921/07/S	PXA921/07/S	B	7	20-22			
167-PXA921/10/S	PXA921/10/S	B	10	20-22			

Panel Mounting Connectors

- Mates with flex cable version
- Single hole fixing
- Anti-rotation key
- High grade sealing gasket
- 3-7mm panel thickness

For quantities greater than listed, call for quote.

MOUSER STOCK NO.	Bulgin Part No.	Fig.	Poles	Cable Dia. (mm)	Price Each		
					1	25	50
Plugs							
177-PX0931/02/P	PX0931/02/P	C	2	13-15			
177-PX0931/03/P	PX0931/03/P	C	3	13-15			
177-PX0931/04/P	PX0931/04/P	C	4	13-15			
177-PX0931/05/P	PX0931/05/P	C	5	13-15			
177-PX0931/07/P	PX0931/07/P	C	7	13-15			
Sockets							
167-PX0931/02/S	PX0931/02/S	C	2	13-15			
167-PX0931/03/S	PX0931/03/S	C	3	13-15			
167-PX0931/04/S	PX0931/04/S	C	4	13-15			
167-PX0931/05/S	PX0931/05/S	C	5	13-15			
167-PX0931/07/S	PX0931/07/S	C	7	13-15			
167-PX0931/10/S	PX0931/10/S	C	10	13-15			

Flange Mounting Connectors

- Mates with flex cable version
- Supplied with high grade sealing gasket
- Supplied with sealing grommets for panel fixing screw (M6 thread recommended)

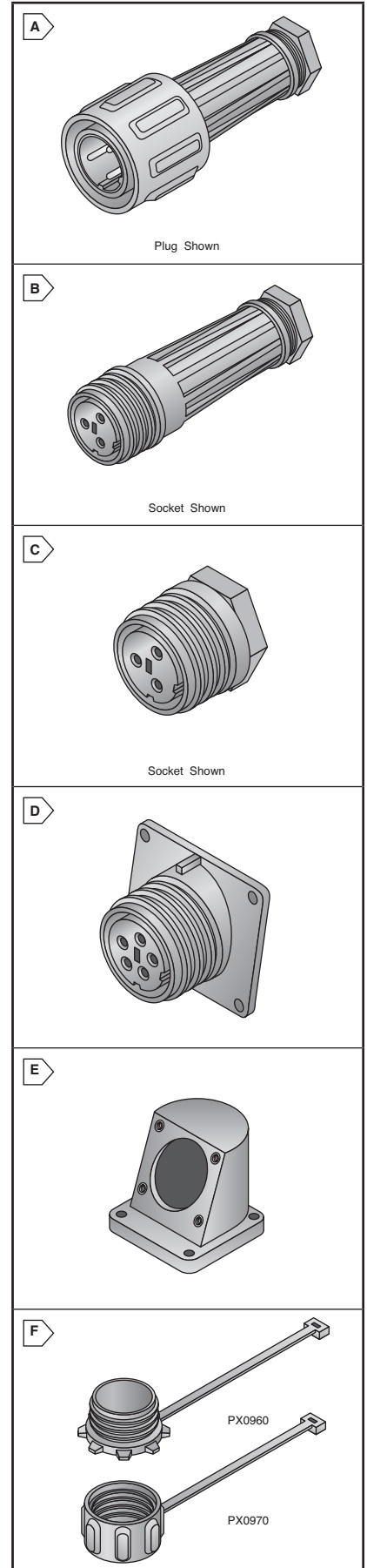
For quantities greater than listed, call for quote.

MOUSER STOCK NO.	Bulgin Part No.	Fig.	Poles	Cable Dia. (mm)	Price Each		
					1	25	50
Plugs							
177-PX0941/03/P	PX0941/03/P	D	3	13-15			
177-PX0941/04/P	PX0941/04/P	D	4	13-15			
177-PX0941/05/P	PX0941/05/P	D	5	13-15			
177-PX0941/10/P	PX0941/10/P	D	10	13-15			
Sockets							
167-PX0941/02/S	PX0941/02/S	D	2	13-15			
167-PX0941/03/S	PX0941/03/S	D	3	13-15			
167-PX0941/04/S	PX0941/04/S	D	4	13-15			
167-PX0941/05/S	PX0941/05/S	D	5	13-15			
167-PX0941/07/S	PX0941/07/S	D	7	13-15			
167-PX0941/10/S	PX0941/10/S	D	10	13-15			

900 Series Buccaneer® Accessories

For quantities greater than listed, call for quote.

MOUSER STOCK NO.	Bulgin Part No.	Fig.	Description	Price Each		
				1	25	50
157-PX0950	PX0950	E	Right angle bulkhead adapter			
157-PX0960	PX0960	F	Sealing cap for PX0911 & PXA911			
157-PX0970	PX0970	F	Sealing cap for use with all other styles			
157-PX0980	PX0980	-	Gland pack 7-13mm cable			
157-PXA980	PXA980	-	Gland pack 14-20mm cable			



Bulgin Circular Connectors

BULGIN Standard Buccaneer® Sealed Connectors



STANDARD BUCCANEER® ENVIRONMENTALLY SEALED CONNECTORS

- Water and dustproof to IP68 when mated
- Positive locating keyways - cannot be mis-connected

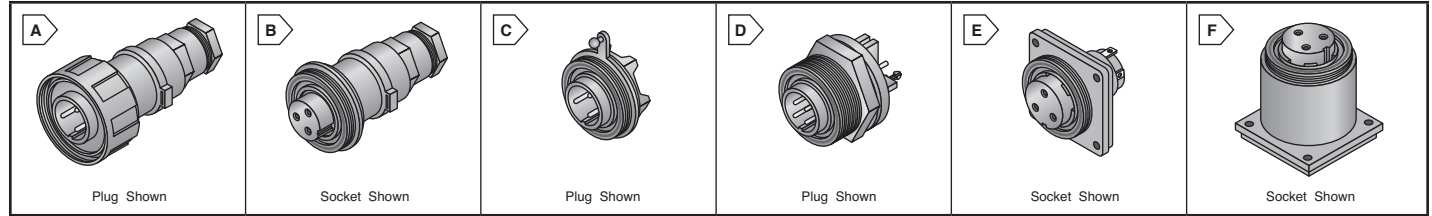
- Compact design, easy assembly
- UL, CSA, and VDE approvals

- Diameter over coupling ring 38mm
- Cable range: 3.5mm - 9mm

- Body material: Glass filled polyamide UL94HB
- Operating temperature: -20°C to +70°C



RoHS Compliant



Flex Cable Connectors

- Mates with in-line flex or panel mounting versions
- Screw locking ring
- Standard cable acceptance (2 to 9 pole) 6-8mm
- RoHS Compliant per Bulgin documentation

For quantities greater than listed, call for quote.

MOUSER STOCK NO.	Bulgin Part No.	Fig.	Poles	Termination	Contacts	Price Each			
						1	25	50	100
Plugs									
177-PX0736/P	PX0736/P	A	2	Screw	Supplied Fitted				
177-PX0731/P	PX0731/P	A	3	Screw	Supplied Fitted				
177-PX0748/P	PX0748/P	A	4	Screw	Supplied Fitted				
177-PX0739/P	PX0739/P	A	6	Screw	Supplied Fitted				
177-PX0745/P	PX0745/P	A	7	Screw	Supplied Fitted				
177-PX0728/P	PX0728/P	A	9	Crimp	Supplied Loose				
177-PX0794/P	PX0794/P	A	12	Crimp/Solder	Order Separately				
177-PX0820/P	PX0820/P	A	25	Crimp/Solder	Order Separately				
Sockets									
167-PX0736/S	PX0736/S	A	2	Screw	Supplied Fitted				
167-PX0731/S	PX0731/S	A	3	Screw	Supplied Fitted				
167-PX0748/S	PX0748/S	A	4	Screw	Supplied Fitted				
167-PX0739/S	PX0739/S	A	6	Screw	Supplied Fitted				
167-PX0745/S	PX0745/S	A	7	Screw	Supplied Fitted				
167-PX0728/S	PX0728/S	A	9	Crimp	Supplied Loose				
167-PX0794/S	PX0794/S	A	12	Crimp/Solder	Order Separately				
167-PX0820/S	PX0820/S	A	25	Crimp/Solder	Order Separately				

In-Line Flex Cable Connectors

- Mates with flex cable version
- Standard cable acceptance (2 to 9 pole) 6-8mm

For quantities greater than listed, call for quote.

MOUSER STOCK NO.	Bulgin Part No.	Fig.	Poles	Termination	Contacts	Price Each			
						1	25	50	100
Plugs									
177-PX0737/P	PX0737/P	B	2	Screw	Supplied Fitted				
177-PX0732/P	PX0732/P	B	3	Screw	Supplied Fitted				
177-PX0749/P	PX0749/P	B	4	Screw	Supplied Fitted				
177-PX0740/P	PX0740/P	B	6	Screw	Supplied Fitted				
177-PX0746/P	PX0746/P	B	7	Screw	Supplied Fitted				
177-PX0729/P	PX0729/P	B	9	Crimp	Supplied Loose				
177-PX0821/P	PX0821/P	B	25	Crimp/Solder	Order Separately				
Sockets									
167-PX0737/S	PX0737/S	B	2	Screw	Supplied Fitted				
167-PX0732/S	PX0732/S	B	3	Screw	Supplied Fitted				
167-PX0749/S	PX0749/S	B	4	Screw	Supplied Fitted				
167-PX0740/S	PX0740/S	B	6	Screw	Supplied Fitted				
167-PX0746/S	PX0746/S	B	7	Screw	Supplied Fitted				
167-PX0729/S	PX0729/S	B	9	Crimp	Supplied Loose				
167-PX0795/S	PX0795/S	B	12	Crimp/Solder	Order Separately				
167-PX0821/S	PX0821/S	B	25	Crimp/Solder	Order Separately				

Panel Mounting Connectors

- Mates with flex cable version
- Single hole fixing
- Front panel mounting

For quantities greater than listed, call for quote.

MOUSER STOCK NO.	Bulgin Part No.	Fig.	Poles	Termination	Contacts	Price Each			
						1	25	50	100
Plugs									
177-PX0735/P	PX0735/P	C	2	Screw	Supplied Fitted				
177-PX0730/P	PX0730/P	C	3	Screw	Supplied Fitted				
177-PX0747/P	PX0747/P	C	4	Screw	Supplied Fitted				
177-PX0738/P	PX0738/P	C	6	Screw	Supplied Fitted				
177-PX0744/P	PX0744/P	C	7	Screw	Supplied Fitted				
177-PX0727/P	PX0727/P	C	9	Crimp	Supplied Loose				
177-PX0796/P	PX0796/P	C	12	Crimp/Solder	Order Separately				
177-PX0822/P	PX0822/P	C	25	Crimp/Solder	Order Separately				
Sockets									
167-PX0735/S	PX0735/S	C	2	Screw	Supplied Fitted				
167-PX0730/S	PX0730/S	C	3	Screw	Supplied Fitted				
167-PX0747/S	PX0747/S	C	4	Screw	Supplied Fitted				
167-PX0738/S	PX0738/S	C	6	Screw	Supplied Fitted				
167-PX0744/S	PX0744/S	C	7	Screw	Supplied Fitted				
167-PX0727/S	PX0727/S	C	9	Crimp	Supplied Loose				
167-PX0796/S	PX0796/S	C	12	Crimp/Solder	Order Separately				
167-PX0822/S	PX0822/S	C	25	Crimp/Solder	Order Separately				

PCB Mounting Connectors - Rear Panel Mounting

- Mates with flex cable version
- RoHS Compliant per Bulgin documentation

For quantities greater than listed, call for quote.

MOUSER STOCK NO.	Bulgin Part No.	Fig.	Poles	Term.	Contacts	Price Each			
						1	25	50	100
Plugs									
177-PX0707/P/03	PX0707/P/03	D	3	PCB	Supplied Fitted				
177-PX0707/P/06	PX0707/P/06	D	6	PCB	Supplied Fitted				
177-PX0707/P/09	PX0707/P/09	D	9	PCB	Supplied Fitted				
177-PX0707/P/25	PX0707/P/25	D	25	PCB	Supplied Fitted				
Sockets									
167-PX0707/S/03	PX0707/S/03	D	3	PCB	Supplied Fitted				
167-PX0707/S/06	PX0707/S/06	D	6	PCB	Supplied Fitted				
167-PX0707/S/09	PX0707/S/09	D	9	PCB	Supplied Fitted				
167-PX0707/S/12	PX0707/S/12	D	12	PCB	Supplied Fitted				

Low Profile Flange Mounting Connectors

- Mates with flex cable version
- Screw flange fixing
- Supplied with sealing gasket and screw sealing grommets
- RoHS Compliant per Bulgin documentation

Plugs									
177-PX0764/P	PX0764/P	E	2	Screw	Supplied Fitted				
177-PX0765/P	PX0765/P	E	3	Screw	Supplied Fitted				
177-PX0767/P	PX0767/P	E	6	Screw	Supplied Fitted				
177-PX0769/P	PX0769/P	E	9	Crimp	Supplied Loose				
Sockets									
167-PX0764/S	PX0764/S	E	2	Screw	Supplied Fitted				
167-PX0765/S	PX0765/S	E	3	Screw	Supplied Fitted				
167-PX0767/S	PX0767/S	E	6	Screw	Supplied Fitted				
167-PX0769/S	PX0769/S	E	9	Crimp	Supplied Loose				

Bulkhead Flange Mounting Connectors

- Mates with flex cable version
- Screw fixing flange
- Supplied with sealing gasket and screw sealing grommets
- RoHS Compliant per Bulgin documentation

Plugs									
177-PX0757/P	PX0757/P	F	2	Screw	Supplied Fitted				
177-PX0758/P	PX0758/P	F	6	Screw	Supplied Fitted				
Sockets									
167-PX0757/S	PX0757/S	F	2	Screw	Supplied Fitted				
167-PX0756/S	PX0756/S	F	3	Screw	Supplied Fitted				
167-PX0758/S	PX0758/S	F	6	Screw	Supplied Fitted				

Standard Buccaneer® Contacts

- Contacts supplied in packs of 10, 1 ea. = 1 pack of 10
- Gold plated
- RoHS Compliant per Bulgin documentation

MOUSER STOCK NO.	Bulgin Part No.	Gender	Termination	For Use With	Price Each			
					1	25	50	100
157-SA3348	SA3348	Plug	Crimp	12 Pole				
157-SA3348/1	SA3348/1	Plug	Solder	12 Pole				
157-SA3347	SA3347	Socket	Crimp	12 Pole				
157-SA3347/1	SA3347/1	Socket	Solder	12 Pole				
157-SA3180	SA3180	Plug	Crimp	25 Pole				
157-SA3180/1	SA3180/1	Plug	Solder	25 Pole				
157-SA3179	SA3179	Socket	Crimp	25 Pole				
157-SA3179/1	SA3179/1	Socket	Solder	25 Pole				

Standard Buccaneer® Tools

MOUSER STOCK NO.	Bulgin Part No.	Description	Price Each	
			1	5
157-13826	13826	Crimp Tool for 9 pole connectors		
157-14025	14025	Crimp Tool for 12 pole connectors		
157-14025/5AMP	14025/5AMP	Positioner for 14025 crimp tool - 5A	1	25
157-13027/1	13027/1	Insertion/Extraction Tool for 12 pole connectors		
157-13027	13027	Insertion/Extraction Tool for 25 pole connectors		

Standard Buccaneer® Accessories

- RoHS Compliant per Bulgin documentation

MOUSER STOCK NO.	Bulgin Part No.	Description	Price Each			
			1	25	50	100
157-PX0777	PX0777	Sealed In-Line Cable Joiner				
157-PX0734	PX0734	Sealing Cap for flex type				
157-PX0733	PX0733	Sealing cap for panel mount & in-line type				
157-PX0711	PX0711	Sealing cap for PCB & rear panel mount type				
157-12237	12237	Cable Support for 5-7mm & 7-9mm cable dia.				

BULGIN Mini and SMB Buccaneer® Sealed Connectors

 **This product is RoHS compliant.**

MINI BUCCANEER® ENVIRONMENTALLY SEALED CONNECTORS

- Sealed to IP68 when mated
- Cable range from 3.5 to 9mm
- Diameter over coupling ring 26mm
- Positive locating keyways - cannot be mis-mated
- Flammability rating UL94V-0
- Compact design
- Easy assembly - no special tools required on screw terminal versions
- RoHS Compliant per Bulgin documentation



RoHS Compliant

Flex Cable Connector

- Mates with flex in-line or panel mounting versions
- Cable Acceptance: 3.5 - 9mm (Standard 5 - 7mm)
- Suitable for plug or socket inserts sold separately
- Screw locking ring

For quantities greater than listed, call for quote.

MOUSER STOCK NO.	Bulgin Part No.	Fig.	Description	Price Each			
				1	25	50	100
157-PX0800	PX0800	A	Flex cable body				

In-Line Flex Cable Connector

- Mates with flex cable version
- Cable Acceptance: 3.5 - 9mm (Standard 5 - 7mm)
- Suitable for plug or socket inserts sold separately

For quantities greater than listed, call for quote.

MOUSER STOCK NO.	Bulgin Part No.	Fig.	Description	Price Each			
				1	25	50	100
157-PX0801	PX0801	B	In-line flex cable body				

Right Angle Panel Mounting Connector

- Mates with flex cable version
- Right angle cable entry
- Suitable for plug or socket inserts sold separately
- Single hole fixing

For quantities greater than listed, call for quote.

MOUSER STOCK NO.	Bulgin Part No.	Fig.	Description	Price Each			
				1	25	50	100
157-PX0803	PX0803	C	Right angle panel mount body				

Straight Panel Mounting Connector

- Mates with flex cable version
- Complete with sealing cap and retaining clip
- Suitable for plug or socket inserts sold separately
- Single hole fixing

For quantities greater than listed, call for quote.

MOUSER STOCK NO.	Bulgin Part No.	Fig.	Description	Price Each			
				1	25	50	100
157-PX0805	PX0805	D	Straight panel mount body				

Screw Terminal Inserts

- Fits all body styles above
- Nickel plated contacts

For quantities greater than listed, call for quote.

MOUSER STOCK NO.	Bulgin Part No.	Fig.	No. of Poles	Gender	Price Each			
					1	25	50	100
177-SA3320	SA3320	E	2	Plug				
177-SA3230	SA3230	E	3	Plug				
177-SA3241	SA3241	E	4	Plug				
177-SA3243	SA3243	E	6	Plug				
167-SA3319	SA3319	F	2	Socket				
167-SA3229	SA3229	F	3	Socket				
167-SA3242	SA3242	F	4	Socket				
167-SA3244	SA3244	F	6	Socket				

Mini Buccaneer® Accessories

For quantities greater than listed, call for quote.

MOUSER STOCK NO.	Bulgin Part No.	Description	Price Each			
			1	25	50	100
157-PX0811	PX0811	Sealing cap for PX0800				
157-PX0810	PX0810	Sealing cap for PX0801-PX0805				
157-PX0812	PX0812	Gland 3 pack - 3.5-5mm, 6-8mm, 7-9mm				

SMB BUCCANEER® ENVIRONMENTALLY SEALED CONNECTORS

- Sealed to IP68 when mated
- 50Ω Impedance SMB connector
- Frequency range 0-4GHz
- Gold plated contacts
- Diameter over coupling ring 19mm
- Body moulding: Nylon UL94V-0 rated



RoHS Compliant

Pre-Wireable Flex Connector

- Mates with panel mounting version
- Supplied with SMB plug
- For RG-174 cable

For quantities greater than listed, call for quote.

MOUSER STOCK NO.	Bulgin Part No.	Fig.	Description	Price Each			
				1	25	50	100
157-PX0415/1	PX0415/1	G	Re-wireable connector with SMB Plug				

Pre-Wired Flex Connectors

- Mates with panel mounting version
- Supplied with SMB plug terminated with RG-174 cable
- Overmoulded construction

For quantities greater than listed, call for quote.

MOUSER STOCK NO.	Bulgin Part No.	Fig.	Description	Price Each			
				1	25	50	100
157-PX0416/1M00	PX0416/1M00	H	Pre-wired with SMB plug - 1m cable length				
157-PX0416/3M00	PX0416/3M00	H	Pre-wired with SMB plug - 3m cable length				
157-PX0416/5M00	PX0416/5M00	H	Pre-wired with SMB plug - 5m cable length				

Panel Mounting Connectors

- Mates with re-wireable and pre-wired flex versions
- Supplied with SMB jack terminated with RG-174 cable
- Single hole fixing

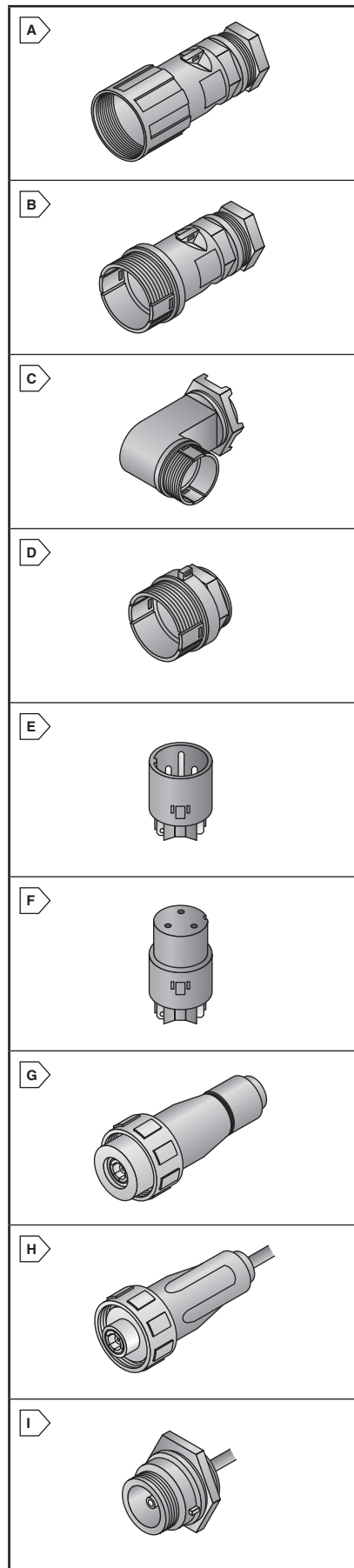
For quantities greater than listed, call for quote.

MOUSER STOCK NO.	Bulgin Part No.	Fig.	Description	Price Each			
				1	25	50	100
157-PX0414/0M50	PX0414/0M50	I	Panel mount with SMB jack - 0.5m cable length				
157-PX0414/1M00	PX0414/1M00	I	Panel mount with SMB jack - 1.0m cable length				
157-PX0414/1M50	PX0414/1M50	I	Panel mount with SMB jack - 1.5m cable length				

SMB Buccaneer® Accessories

For quantities greater than listed, call for quote.

MOUSER STOCK NO.	Bulgin Part No.	Description	Price Each			
			1	25	50	100
157-PX0480	PX0480	Sealing Cap for PX0414 panel mount connector				
157-PX0481	PX0481	Sealing Cap for PX0415 re-wireable flex connector				
157-PX0485	PX0485	Sealing Cap for PX0416 overmoulded flex connector				



Bulgin Circular Connectors

CONXALL Mini-Con-X® and Multi-Con-X® Series

Harsh Environment Connectivity Solutions
A HEICO Company



This product is RoHS compliant.

*Amperage is limited by wire specifications

For quantities greater than listed, call for quote.

MINI-CON-X® SHIELDED FIELD INSTALLABLE CONNECTORS (CONT.)

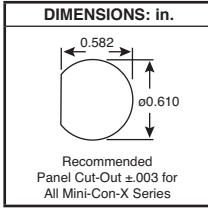
Low-cost shielded connectors for industrial and marine applications.

Features:

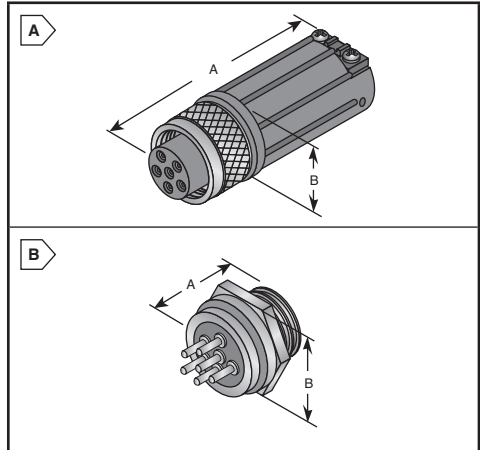
- Protects circuits from EMI and RF interference
- Rugged machined metal housing and construction
- Scoop-proof connector design
- Same panel cutout as MINI-CON-X®
- Suitable for use in hostile environments
- RoHS compliant per Conxall documentation

Specifications:

- Panel Shell, Cable Housing and Coupling Nuts: Nickel plated copper alloy
- Backshell and Strap: G.F. Nylon
- Operational Temperature limits: -40°C (-40°F) to +65°C (+149°F)
- Harsh Environment IP66/IP68, Shielded



RoHS Compliant



MOUSER STOCK NO.	Conxall Part No.	Fig.	No. of Contacts	Contact Type	Contact Size	Contact Rating*	Dimension: in.		Price Each		
							A	B	1	10	25
Cable End (Cont.)											
502-SF6282-4SG-520	SF6282-4SG-520	A	4	Socket	20	5.6A	1.78	0.76			
502-SF6382-4PG-520	SF6382-4PG-520	A	4	Pin	16	9.75A	1.78	0.76			
502-SF6382-4SG-520	SF6382-4SG-520	A	4	Socket	16	9.75A	1.78	0.76			
502-SF6282-5PG-520	SF6282-5PG-520	A	5	Pin	20	5.6A	1.78	0.76			
502-SF6282-5SG-520	SF6282-5SG-520	A	5	Socket	20	5.6A	1.78	0.76			
502-SF6382-5PG-520	SF6382-5PG-520	A	5	Pin	16	9.75A	1.78	0.76			
502-SF6382-5SG-520	SF6382-5SG-520	A	5	Socket	16	9.75A	1.78	0.76			
502-SF6282-6PG-520	SF6282-6PG-520	A	6	Pin	20	5.6A	1.78	0.76			
502-SF6282-6SG-520	SF6282-6SG-520	A	6	Socket	20	5.6A	1.78	0.76			
502-SF6382-6PG-520	SF6382-6PG-520	A	6	Pin	16	9.75A	1.78	0.76			
502-SF6382-6SG-520	SF6382-6SG-520	A	6	Socket	16	9.75A	1.78	0.76			
502-SF6282-7PG-520	SF6282-7PG-520	A	7	Pin	20	4.8A	1.78	0.76			
502-SF6282-7SG-520	SF6282-7SG-520	A	7	Socket	20	4.8A	1.78	0.76			
502-SF6282-8PG-520	SF6282-8PG-520	A	8	Pin	20	4.8A	1.78	0.76			
502-SF6282-8SG-520	SF6282-8SG-520	A	8	Socket	20	4.8A	1.78	0.76			

Panel Mount (with hex nut and flanged gasket)

502-SF7282-2PG-3ES	SF7282-2PG-3ES	B	2	Pin	20	7.5A	0.826	0.87			
502-SF7282-2SG-3ES	SF7282-2SG-3ES	B	2	Socket	20	7.5A	0.826	0.87			
502-SF7382-2PG-3ES	SF7382-2PG-3ES	B	2	Pin	16	13A	0.826	0.87			
502-SF7382-2SG-3ES	SF7382-2SG-3ES	B	2	Socket	16	13A	0.826	0.87			
502-SF7282-3PG-3ES	SF7282-3PG-3ES	B	3	Pin	20	7.5A	0.826	0.87			
502-SF7282-3SG-3ES	SF7282-3SG-3ES	B	3	Socket	20	7.5A	0.826	0.87			
502-SF7382-3PG-3ES	SF7382-3PG-3ES	B	3	Pin	16	13A	0.826	0.87			
502-SF7382-3SG-3ES	SF7382-3SG-3ES	B	3	Socket	16	13A	0.826	0.87			
502-SF7282-4PG-3ES	SF7282-4PG-3ES	B	4	Pin	20	5.6A	0.826	0.87			
502-SF7282-4SG-3ES	SF7282-4SG-3ES	B	4	Socket	20	5.6A	0.826	0.87			
502-SF7382-4PG-3ES	SF7382-4PG-3ES	B	4	Pin	16	9.75A	0.826	0.87			
502-SF7382-4SG-3ES	SF7382-4SG-3ES	B	4	Socket	16	9.75A	0.826	0.87			
502-SF7282-5PG-3ES	SF7282-5PG-3ES	B	5	Pin	20	5.6A	0.826	0.87			
502-SF7282-5SG-3ES	SF7282-5SG-3ES	B	5	Socket	20	5.6A	0.826	0.87			
502-SF7382-5PG-3ES	SF7382-5PG-3ES	B	5	Pin	16	9.75A	0.826	0.87			
502-SF7382-5SG-3ES	SF7382-5SG-3ES	B	5	Socket	16	9.75A	0.826	0.87			
502-SF7282-6PG-3ES	SF7282-6PG-3ES	B	6	Pin	20	5.6A	0.826	0.87			
502-SF7282-6SG-3ES	SF7282-6SG-3ES	B	6	Socket	20	5.6A	0.826	0.87			
502-SF7382-6PG-3ES	SF7382-6PG-3ES	B	6	Pin	16	9.75A	0.826	0.87			
502-SF7382-6SG-3ES	SF7382-6SG-3ES	B	6	Socket	16	9.75A	0.826	0.87			
502-SF7282-7PG-3ES	SF7282-7PG-3ES	B	7	Pin	20	4.8A	0.826	0.87			
502-SF7282-7SG-3ES	SF7282-7SG-3ES	B	7	Socket	20	4.8A	0.826	0.87			
502-SF7282-8PG-3ES	SF7282-8PG-3ES	B	8	Pin	20	4.8A	0.826	0.87			
502-SF7282-8SG-3ES	SF7282-8SG-3ES	B	8	Socket	20	4.8A	0.826	0.87			

MULTI-CON-X® SHIELDED FIELD INSTALLABLE CONNECTORS

Low cost Standard connectors for Industrial and Marine Applications

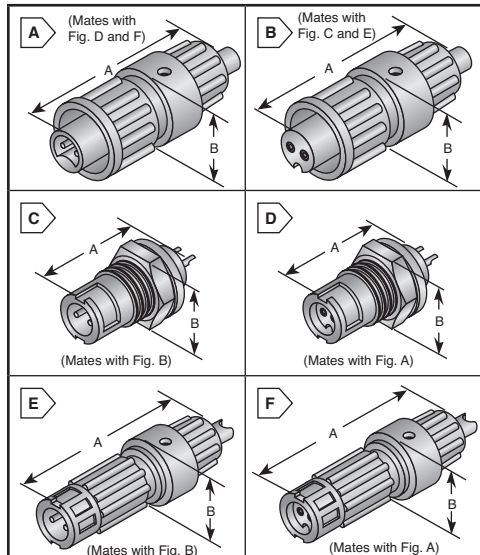
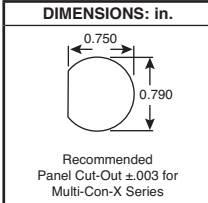
The all plastic connector is corrosion resistant, non-conductive and withstands substantial abuse, hostile environments, and heavy impacts that would otherwise cause metal connectors to corrode, deform or become electrically conductive and thus become unusable or unsafe.

Features:

- Solder Cup Termination
- Corrosion resistant and non-conductive connectors
- Suitable for use in hostile environments
- Coupling rings have overriding locking feature to prevent loosening or separation of connector
- RoHS compliance per Conxall documentation
- UL Recognized File # E138878-250V
- CSA Certified File # LR89277-600V
- 3DC - Daisy Chain grommet 3 I.D.'s (.125", .188", .250")

Specifications:

- Connector body & Backshell: Black Nylon
- Connector: Gold over Nickel
- Grommet: Black Santoprene Rubber
- Voltage: 600V
- Watertight: Up to IP67/NEMA 6P
- Durability: Minimum 300 mate/unmate cycles w/out mechanical or electrical failure
- Temperature Rating: -55°C to +125°C (-67°F to +257°F)



MOUSER STOCK NO.	Conxall Part No.	Fig.	No. of Contacts	Contact Type	Contact Size	AWG	Contact Rating*	Dimension: in.		Price Each		
								A	B	1	10	25
Cable End												
502-3182-2PG-3DC	3182-2PG-3DC	A	2	Pin	12	12-16	23A	1.570	0.875			
502-3182-2SG-3DC	3182-2SG-3DC	B	2	Socket	12	12-16	23A	1.570	0.875			
502-3182-3PG-3DC	3182-3PG-3DC	A	3	Pin	12	12-16	23A	1.570	0.875			
502-3182-3SG-3DC	3182-3SG-3DC	B	3	Socket	12	12-16	23A	1.570	0.875			
502-3282-4PG-3DC	3282-4PG-3DC	A	4	Pin	20	20-24	5.6A	1.570	0.875			
502-3282-4SG-3DC	3282-4SG-3DC	B	4	Socket	20	20-24	5.6A	1.570	0.875			
502-3282-5PG-3DC	3282-5PG-3DC	A	5	Pin	20	20-24	5.6A	1.570	0.875			
502-3282-6PG-3DC	3282-6PG-3DC	A	6	Pin	20	20-24	5.6A	1.570	0.875			
502-3282-6SG-3DC	3282-6SG-3DC	B	6	Socket	20	20-24	5.6A	1.570	0.875			
502-3282-7PG-3DC	3282-7PG-3DC	A	7	Pin	20	20-24	4.8A	1.570	0.875			
502-3282-7SG-3DC	3282-7SG-3DC	B	7	Socket	20	20-24	4.8A	1.570	0.875			
502-3282-8PG-3DC	3282-8PG-3DC	A	8	Pin	20	20-24	4.8A	1.570	0.875			
502-3282-8SG-3DC	3282-8SG-3DC	B	8	Socket	20	20-24	4.8A	1.570	0.875			
502-3282-9PG-3DC	3282-9PG-3DC	A	9	Pin	20	20-24	4.8A	1.570	0.875			
502-3282-9SG-3DC	3282-9SG-3DC	B	9	Socket	20	20-24	4.8A	1.570	0.875			

Panel Mount (with hex nut and flanged gasket)

502-4182-2PG-300	4182-2PG-300	C	2	Pin	12	12-16	23A	0.625	1.155			
502-4182-2SG-300	4182-2SG-300	D	2	Socket	12	12-16	23A	0.625	1.155			
502-4182-3PG-300	4182-3PG-300	C	3	Pin	12	12-16	23A	0.625	1.155			
502-4182-3SG-300	4182-3SG-300	D	3	Socket	12	12-16	23A	0.625	1.155			
502-4282-4PG-300	4282-4PG-300	C	4	Pin	20	20-24	5.6A	0.625	1.155			
502-4282-4SG-300	4282-4SG-300	D	4	Socket	20	20-24	5.6A	0.625	1.155			
502-4282-5SG-300	4282-5SG-300	D	5	Socket	20	20-24	5.6A	0.625	1.155			
502-4282-6PG-300	4282-6PG-300	C	6	Pin	20	20-24	5.6A	0.625	1.155			
502-4282-6SG-300	4282-6SG-300	D	6	Socket	20	20-24	5.6A	0.625	1.155			
502-4282-7PG-300	4282-7PG-300	C	7	Pin	20	20-24	4.8A	0.625	1.155			
502-4282-8PG-300	4282-8PG-300	C	8	Pin	20	20-24	4.8A	0.625	1.155			
502-4282-8SG-300	4282-8SG-300	D	8	Socket	20	20-24	4.8A	0.625	1.155			
502-4282-9PG-300	4282-9PG-300	C	9	Pin	20	20-24	4.8A	0.625	1.155			
502-4282-9SG-300	4282-9SG-300	D	9	Socket	20	20-24	4.8A	0.625	1.155			

Cable to Cable

502-5182-2PG-3DC	5182-2PG-3DC	E	2	Pin	12	12-16	23A	1.650	0.766			
502-5182-2SG-3DC	5182-2SG-3DC	F	2	Socket	12	12-16	23A	1.650	0.766			
502-5182-3PG-3DC	5182-3PG-3DC	E	3	Pin	12	12-16	23A	1.650	0.766			
502-5182-3SG-3DC	5182-3SG-3DC	F	3	Socket	12	12-16	23A	1.650	0.766			
502-5282-4PG-3DC	5282-4PG-3DC	E	4	Pin	20	20-24	5.6A	1.650	0.766			
502-5282-4SG-3DC	5282-4SG-3DC	F	4	Socket	20	20-24	5.6A	1.650	0.766			
502-5282-5PG-3DC	5282-5PG-3DC	E	5	Pin	20	20-24	5.6A	1.650	0.766			
502-5282-6SG-3DC	5282-6SG-3DC	F	6	Socket	20	20-24	5.6A	1.650	0.766			
502-5282-7PG-3DC	5282-7PG-3DC	E	7	Pin	20	20-24	4.8A	1.650	0.766			
502-5282-8PG-3DC	5282-8PG-3DC	E	8	Pin	20	20-24	4.8A	1.650	0.766			
502-5282-8SG-3DC	5282-8SG-3DC	F	8	Socket	20	20-24	4.8A	1.650				

HIROSE Circular Connectors



This product is RoHS compliant.



HIROSE ELECTRIC CO., LTD.

Shell Size	LF07		LF10		LF13	
Contact Configuration						
No. of Contacts	3	6	4	12	11	20

LF SERIES MINIATURE WATERPROOF SHIELDED CONNECTORS

All components are self-aligning and do not require complex assembly tooling. The shield of the cable is connected using a simple shielding clamp, supplied with the connector with the metal housing of the connector.



RoHS Compliant

Features:

- Short turn bayonet lock
- Contact Plating: Gold
- IP67

Applications:

- Sensors
- Robots
- Factory Automation
- Medical
- Surveillance
- Surveying Instruments

Plugs

For quantities greater than listed, call for quote.

MOUSER STOCK NO.	Hirose Part No.	Fig.	Shell Size	No. of Contacts	Current Rating	Contact Gender	Price Each			
							1	10	50	100
798-LF07WBP-6S	LF07WBP-6S	A	7	6	2A	Female				
798-LF07WBP-6P	LF07WBP-6P	A	7	6	2A	Male				
798-LF07WBP-3S	LF07WBP-3S	A	7	3	5A	Female				
798-LF07WBP-3P	LF07WBP-3P	A	7	3	5A	Male				
798-LF10WBP-4S	LF10WBP-4S	A	10	4	10A	Female				
798-LF10WBP-4P	LF10WBP-4P	A	10	4	10A	Male				
798-LF10WBP-12S	LF10WBP-12S	A	10	12	2A	Female				
798-LF10WBP-12P	LF10WBP-12P	A	10	12	2A	Male				
798-LF13WBP-20S	LF13WBP-20S	A	13	20	2A	Female				
798-LF13WBP-20P	LF13WBP-20P	A	13	20	2A	Male				
798-LF13WBP-11S	LF13WBP-11S	A	13	11	10A / 2A	Female				
798-LF13WBP-11P	LF13WBP-11P	A	13	11	10A / 2A	Male				

Receptacles

For quantities greater than listed, call for quote.

MOUSER STOCK NO.	Hirose Part No.	Fig.	Shell Size	No. of Contacts	Current Rating	Contact Gender	Price Each			
							1	10	50	100
798-LF07WBR-6S	LF07WBR-6S	B	7	6	2A	Female				
798-LF07WBR-6P	LF07WBR-6P	B	7	6	2A	Male				
798-LF07WBR-3S	LF07WBR-3S	B	7	3	5A	Female				
798-LF07WBR-3P	LF07WBR-3P	B	7	3	5A	Male				
798-LF10WBR-4S	LF10WBR-4S	B	10	4	10A	Female				
798-LF10WBR-4P	LF10WBR-4P	B	10	4	10A	Male				
798-LF10WBR-12S	LF10WBR-12S	B	10	12	2A	Female				
798-LF10WBR-12P	LF10WBR-12P	B	10	12	2A	Male				
798-LF13WBR-20S	LF13WBR-20S	B	13	20	2A	Female				
798-LF13WBR-20P	LF13WBR-20P	B	13	20	2A	Male				
798-LF13WBR-11S	LF13WBR-11S	B	13	11	10A / 2A	Female				
798-LF13WBR-11P	LF13WBR-11P	B	13	11	10A / 2A	Male				

Jacks

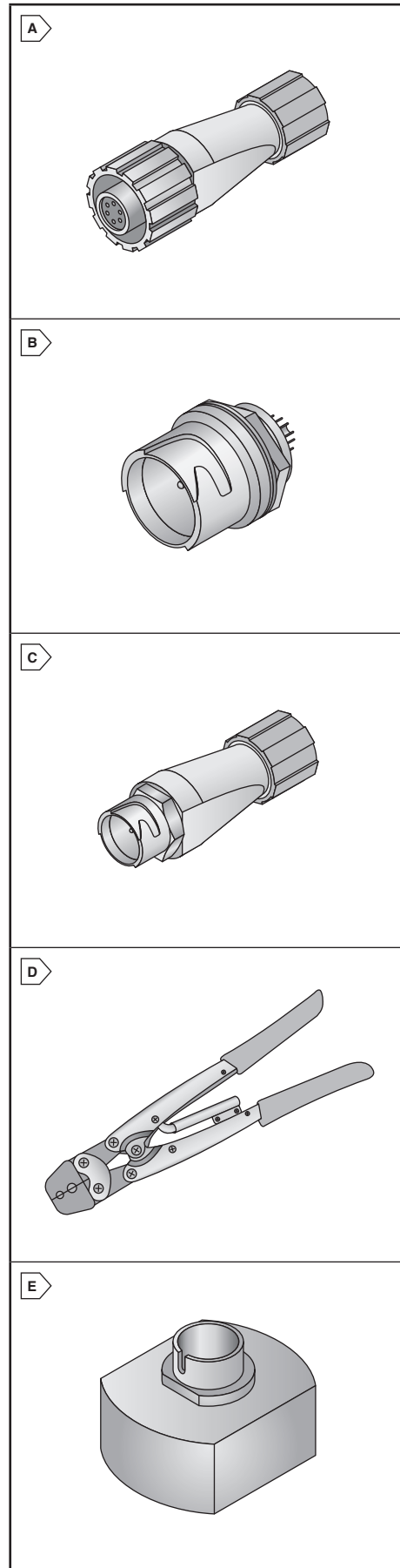
For quantities greater than listed, call for quote.

MOUSER STOCK NO.	Hirose Part No.	Fig.	Shell Size	No. of Contacts	Current Rating	Contact Gender	Price Each			
							1	10	50	100
798-LF07WBJ-6S	LF07WBJ-6S	C	7	6	2A	Female				
798-LF07WBJ-6P	LF07WBJ-6P	C	7	6	2A	Male				
798-LF07WBJ-3S	LF07WBJ-3S	C	7	3	5A	Female				
798-LF07WBJ-3P	LF07WBJ-3P	C	7	3	5A	Male				
798-LF10WBJ-4S	LF10WBJ-4S	C	10	4	10A	Female				
798-LF10WBJ-4P	LF10WBJ-4P	C	10	4	10A	Male				
798-LF10WBJ-12S	LF10WBJ-12S	C	10	12	2A	Female				
798-LF10WBJ-12P	LF10WBJ-12P	C	10	12	2A	Male				
798-LF13WBJ-20S	LF13WBJ-20S	C	13	20	2A	Female				
798-LF13WBJ-20P	LF13WBJ-20P	C	13	20	2A	Male				
798-LF13WBJ-11S	LF13WBJ-11S	C	13	11	10A / 2A	Female				
798-LF13WBJ-11P	LF13WBJ-11P	C	13	11	10A / 2A	Male				

Tools and Accessories

For quantities greater than listed, call for quote.

MOUSER STOCK NO.	Hirose Part No.	Fig.	Description	Price Each
Hand Tool				
798-LF-TC-01	LF-TC-01	D	Cable clamp tool crimp 7.3-8.7 diameter cable	
Solder Termination Fixtures				
798-LF07BP-T01	LF07BP-T01	E	Solder fixture for LF07WBP-6S, 6P, 3S, 3P	
798-LF07BJ-T01	LF07BJ-T01	E	Solder fixture for LF07WBJ-6S, 6P, 3S, 3P	
798-LF10BP-T01	LF10BP-T01	E	Solder fixture for LF10WBP-4S, 4P, 12S, 12P	
798-LF10BJ-T01	LF10BJ-T01	E	Solder fixture for LF10WBJ-4S, 4P, 12S, 12P	
798-LF13BP-T01	LF13BP-T01	E	Solder fixture for LF13WBP-20SP, 11SP	
798-LF13BJ-T01	LF13BJ-T01	E	Solder fixture for LF13WBJ-20SP, 11SP	



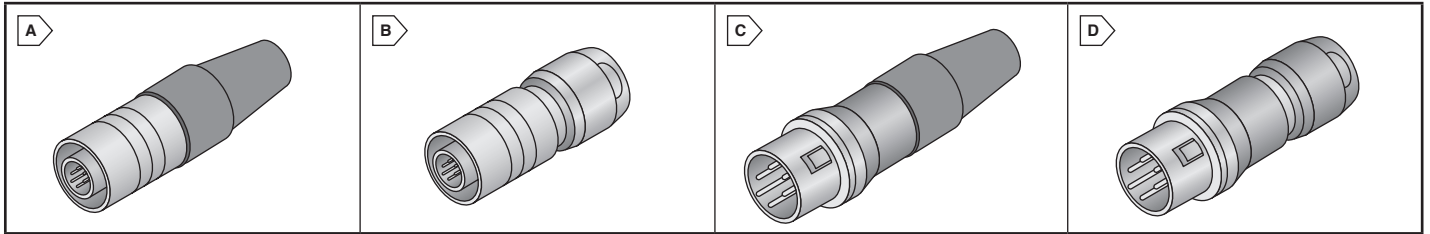
HIROSE Circular Connectors



This page of product is compliant.



HIROSE ELECTRIC CO., LTD.



HR10 SERIES, PUSH-PULL METAL CONNECTORS

Plugs

For quantities greater than listed, call for quote.

MOUSER STOCK NO.	Hirose Part No.	Fig.	Number of Contacts	Shell Size	Price Each		
					1	10	50
Economy Crimp Type - Male							
798-HR10A-7P-4PC73	HR10A-7P-4PC(73)	A	4	7			
798-HR10A-7P-6PC73	HR10A-7P-6PC(73)	A	6	7			
798-HR10A-10P-10PC73	HR10A-10P-10PC(73)	A	10	10			
798-HR10A-10P-12PC73	HR10A-10P-12PC(73)	A	12	10			
Economy Crimp Type - Female							
798-HR10A-7P-4SC73	HR10A-7P-4SC(73)	A	4	7			
798-HR10A-7P-6SC73	HR10A-7P-6SC(73)	A	6	7			
798-HR10A-10P-10SC73	HR10A-10P-10SC(73)	A	10	10			
798-HR10A-10P-12SC73	HR10A-10P-12SC(73)	A	12	10			
Solder Type - Male - Gold							
798-HR10-7P-6P73	HR10-7P-6P(73)	B	6	7			
798-HR10-7P-4P73	HR10-7P-4P(73)	B	4	7			
798-HR10-10P-12P73	HR10-10P-12P(73)	B	12	10			
Economy Solder Type - Male - Gold							
798-HR10A7P4P74	HR10A-7P-4P(74)	A	4	7			
798-HR10A7P6P74	HR10A-7P-6P(74)	A	6	7			
798-HR10A10P10P74	HR10A-10P-10P(74)	A	10	10			
798-HR10A13P20P74	HR10A-13P-20P(74)	A	20	13			
Solder Type - Female - Gold							
798-HR10-7P-4S73	HR10-7P-4S(73)	B	4	7			
798-HR10-7P-6S73	HR10-7P-6S(73)	B	6	7			
798-HR10-10P-12S73	HR10-10P-12S(73)	B	12	10			
Economy Solder Type - Female - Gold							
798-HR10A7P6S74	HR10A-7P-6S(74)	A	6	7			
798-HR10A10P10S74	HR10A-10P-10S(74)	A	10	10			
Economy Solder Type - Male - Silver							
798-HR10A-7P-4P73	HR10A-7P-4P(73)	A	4	7			
798-HR10A-7P-5P73	HR10A-7P-5P(73)	A	5	7			
798-HR10A-7P-6P73	HR10A-7P-6P(73)	A	6	7			
798-HR10A-10P-10P73	HR10A-10P-10P(73)	A	10	10			
798-HR10A-10P-12P73	HR10A-10P-12P(73)	A	12	10			
798-HR10A-13P-20P73	HR10A-13P-20P(73)	A	20	13			
Economy Solder Type - Female - Silver							
798-HR10A-7P-4S73	HR10A-7P-4S(73)	A	4	7			
798-HR10A-7P-5S73	HR10A-7P-5S(73)	A	5	7			
798-HR10A-7P-6S73	HR10A-7P-6S(73)	A	6	7			
798-HR10A-10P-10S73	HR10A-10P-10S(73)	A	10	10			
798-HR10A-10P-12S73	HR10A-10P-12S(73)	A	12	10			
798-HR10A-13P-20S73	HR10A-13P-20S(73)	A	20	13			
Economy Threaded Coupling - Solder Type - Male - Silver							
798-HR10A7TP6P73	HR10A-7TP-6P(73)	A	6	7			
798-HR10A10TP12P73	HR10A-10TP-12P(73)	A	12	10			
Economy Threaded Coupling - Solder Type - Female - Silver							
798-HR10A10TPA12S73	HR10A-10TPA-12S(73)	A	12	10			
Economy Threaded Coupling - Solder Type - Female - Gold							
798-HR10A13TPD20S74	HR10A-13TPD-20S(74)	A	20	13			
Economy Threaded Coupling - Solder Type - Male - Silver							
798-HR10A10WTP12P73	HR10A-10WTP-12P(73)	A	12	10			
Economy Threaded Coupling - Solder Type - Male - Gold							
798-HR10A10WTP12P74	HR10A-10WTP-12P(74)	A	12	10			

Jacks

For quantities greater than listed, call for quote.

Economy Crimp Type - Female							
798-HR10A10J10SC73	HR10A-10J-10SC(73)	C	10	10			
Solder Type - Male - Gold							
798-HR10-7J-4P73	HR10-7J-4P(73)	D	4	7			
798-HR10-7J-6P73	HR10-7J-6P(73)	D	6	7			
798-HR10-10J-12P73	HR10-10J-12P(73)	D	12	10			
Economy Solder Type - Male - Gold							
798-HR10A7J6P74	HR10A-7J-6P(74)	C	6	7			
798-HR10A10J12P74	HR10A-10J-12P(74)	C	12	10			
Solder Type - Female - Gold							
798-HR10-7J-4S73	HR10-7J-4S(73)	D	4	7			
798-HR10-7J-6S73	HR10-7J-6S(73)	D	6	7			
798-HR10-10J-12S73	HR10-10J-12S(73)	D	12	10			
Economy Solder Type - Female - Gold							
798-HR10A7J6S74	HR10A-7J-6S(74)	C	6	7			
798-HR10A10J10S74	HR10A-10J-10S(74)	C	10	10			
798-HR10A10J12S74	HR10A-10J-12S(74)	C	12	10			
Economy Solder Type - Male - Silver							
798-HR10A-7J-4P73	HR10A-7J-4P(73)	C	4	7			
798-HR10A-7J-6P73	HR10A-7J-6P(73)	C	6	7			
798-HR10A-10J-10P73	HR10A-10J-10P(73)	C	10	10			
798-HR10A-10J-12P73	HR10A-10J-12P(73)	C	12	10			
Economy Solder Type - Female - Silver							
798-HR10A-7J-4S73	HR10A-7J-4S(73)	C	4	7			
798-HR10A-7J-6S73	HR10A-7J-6S(73)	C	6	7			
798-HR10A-10J-10S73	HR10A-10J-10S(73)	C	10	10			
798-HR10A-10J-12S73	HR10A-10J-12S(73)	C	12	10			

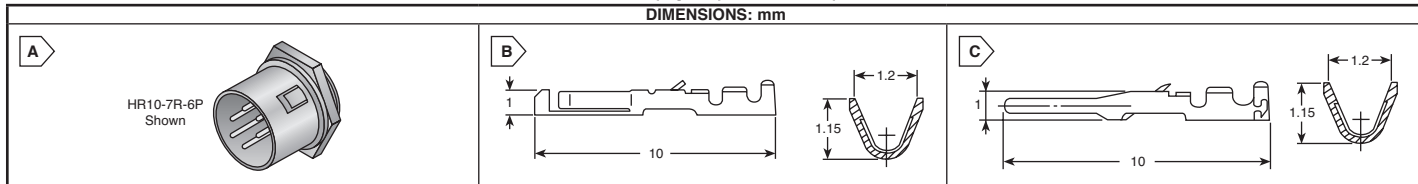
HIROSE Circular Connectors



HIROSE ELECTRIC CO., LTD.

RoHS Compliant This page of product is compliant.

DIMENSIONS: mm



HR10 SERIES, PUSH-PULL METAL CONNECTORS (CONT.)

Receptacles

MOUSER STOCK NO.	Hirose Part No.	Fig.	No. of Contacts	Shell Size	Price Each		
					1	10	50
Economy Crimp Type - Male							
798-HR10A-7R-4PC73	HR10A-7R-4PC(73)	A	4	7			
798-HR10A-7R-6PC73	HR10A-7R-6PC(73)	A	6	7			
798-HR10A-10R-10PC71	HR10A-10R-10PC(71)	A	10	10			
798-HR10A-10R-12PC71	HR10A-10R-12PC(71)	A	12	10			
Economy Crimp Type - Female							
798-HR10A-7R-4SC73	HR10A-7R-4SC(73)	A	4	7			
798-HR10A-7R-6SC73	HR10A-7R-6SC(73)	A	6	7			
798-HR10A-10R-10SC71	HR10A-10R-10SC(71)	A	10	10			
798-HR10A-10R-12SC71	HR10A-10R-12SC(71)	A	12	10			
798-HR10A13R20SC73	HR10A-13R-20SC(73)	A	20	13			
Dip Type - Male - Silver							
798-HR10-7R-4P73	HR10-7R-4P(73)	A	4	7			
Economy Dip Type - Male - Silver							
798-HR10A-7R-4PB73	HR10A-7R-4PB(73)	A	4	7			
798-HR10A-7R-6PB73	HR10A-7R-6PB(73)	A	6	7			
798-HR10A-10R-10PB71	HR10A-10R-10PB(71)	A	10	10			
798-HR10A-10R-12PB71	HR10A-10R-12PB(71)	A	12	10			
798-HR10A13R20PB73	HR10A-13R-20PB(73)	A	20	13			
Dip Type - Female - Silver							
798-HR10-7R-4S73	HR10-7R-4S(73)	A	4	7			
Economy Dip Type - Female - Silver							
798-HR10A-7R-4SB73	HR10A-7R-4SB(73)	A	4	7			
798-HR10A-7R-6SB73	HR10A-7R-6SB(73)	A	6	7			
798-HR10A-10R-10SB71	HR10A-10R-10SB(71)	A	10	10			
798-HR10A-10R-12SB71	HR10A-10R-12SB(71)	A	12	10			
Dip Type - Male - Gold							
798-HR10-7R-6PA73	HR10-7R-6PA(73)	A	6	7			
798-HR10-10R-12PA73	HR10-10R-12PA(73)	A	12	10			
Economy Dip Type - Male - Gold							
798-HR10A7R6PB74	HR10A-7R-6PB(74)	A	6	7			
798-HR10A10R12PB72	HR10A-10R-12PB(72)	A	12	10			
Dip Type - Female - Gold							
798-HR10-7R-4SA73	HR10-7R-4SA(73)	A	4	7			
798-HR10-7R-6SA73	HR10-7R-6SA(73)	A	6	7			
798-HR10-10R-12SA73	HR10-10R-12SA(73)	A	12	10			
Economy Dip Type - Female - Gold							
798-HR10A7R6SB74	HR10A-7R-6SB(74)	A	6	7			
798-HR10A10R10SB72	HR10A-10R-10SB(72)	A	10	10			
Economy Solder Type - Male - Silver							
798-HR10A-7R-4P73	HR10A-7R-4P(73)	A	4	7			
798-HR10A7R5P73	HR10A-7R-5P(73)	A	5	7			
798-HR10A-7R-6P73	HR10A-7R-6P(73)	A	6	7			
798-HR10A-10R-10P73	HR10A-10R-10P(73)	A	10	10			
798-HR10A-10R-12P73	HR10A-10R-12P(73)	A	12	10			
798-HR10A13R20P73	HR10A-13R-20P(73)	A	20	13			
Economy Solder Type - Female - Silver							
798-HR10A-7R-4S73	HR10A-7R-4S(73)	A	4	7			
798-HR10A-7R-6S73	HR10A-7R-6S(73)	A	6	7			
798-HR10A-10R-10S71	HR10A-10R-10S(71)	A	10	10			
798-HR10A-10R-12S71	HR10A-10R-12S(71)	A	12	10			
798-HR10A13R20S73	HR10A-13R-20S(73)	A	20	13			
Economy Solder Type - Male - Gold							
798-HR10A7R4P74	HR10A-7R-4P(74)	A	4	7			
798-HR10A7R6P74	HR10A-7R-6P(74)	A	6	7			
Economy Solder Type - Female - Gold							
798-HR10A7R6S74	HR10A-7R-6S(74)	A	6	7			
798-HR10A10R10S72	HR10A-10R-10S(72)	A	10	10			
798-HR10A10R12S72	HR10A-10R-12S(72)	A	12	10			
798-HR10A13R20S74	HR10A-13R-20S(74)	A	20	13			

Crimp Contacts

For quantities greater than listed, call for quote.

Crimp Contacts (Reels)

For quantities greater than listed, call for quote.

MOUSER STOCK NO.	Hirose Part No.	Fig.	Plating	AWG	Price Each			MOUSER STOCK NO.	Hirose Part No.	Plating	AWG	Reel Quantity	Price Per Piece
					1	10	50						
Female													
798-HR12-SC-111	HR12-SC-111	B	Gold	26-30				798-HR12-SC-211	HR12-SC-211	Gold	26-30	10000	
798-HR12-SC-112	HR12-SC-112	B	Silver	26-30				798-HR12-SC-212	HR12-SC-212	Silver	26-30	10000	
Male													
798-HR10-PC-111	HR10-PC-111	C	Gold	26-30				798-HR10-PC-211	HR10-PC-211	Gold	26-30	10000	
798-HR10-PC-112	HR10-PC-112	C	Silver	26-30				798-HR10-PC-212	HR10-PC-212	Silver	26-30	10000	

Accessories & Tools

For quantities greater than listed, call for quote.

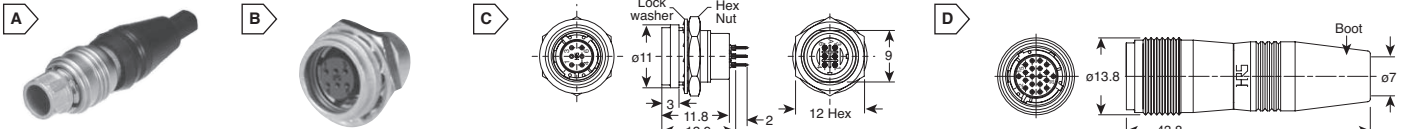
MOUSER STOCK NO.	Hirose Part No.	Description	Price Each		
			1	10	50
798-HR10-7R-C	HR10-7R-C	Cap for Shell Size 7			
798-HR10-10R-C	HR10-10R-C	Cap for Shell Size 10			
798-HR12-SC-TC	HR12-SC-TC	Manual Crimping Tool			
798-HR12-SC-TP	HR12-SC-TP	Extractor Tool			
798-HR10A-TC-02	HR10A-TC-02	Cable Crimping Tool			
798-HR10-7P-T01	HR10-7P-T01	Wiring Tool for HR10-7P Connectors			
798-HR10-10P-T02	HR10-10P-T02	Wiring Tool for HR10-10P Connectors			
798-HR10-10J-T04	HR10-10J-T04	Wiring Tool for HR10-10J Connectors			

HIROSE Circular Connectors

HR25A SERIES, PUSH-PULL CIRCULAR CONNECTORS

This product is RoHS compliant.

DIMENSIONS: mm



Plugs For quantities greater than listed, call for quote.

MOUSER STOCK NO.	Hirose Part No.	Fig.	No. of Contacts	Shell Size	Price Each		
					1	10	25
Solder Type - Contacts Inserted - Male							
798-HR25A-7P-6P	HR25A-7P-6P	A	6	7			
798-HR25A-7P-8P	HR25A-7P-8P	A	8	7			
798-HR25A-9P-12P	HR25A-9P-12P	A	12	9			
798-HR25A-9P-16P	HR25A-9P-16P	A	16	9			
798-HR25A-9P-20P	HR25A-9P-20P	A	20	9			
Solder Type - Contacts Inserted - Female							
798-HR25A-7P-8S	HR25A-7P-8S	A	8	7			
798-HR25A-9P-12S	HR25A-9P-12S	A	12	9			
798-HR25A-9P-20S	HR25A-9P-20S	A	20	9			

Receptacles (Cont.) For quantities greater than listed, call for quote.

MOUSER STOCK NO.	Hirose Part No.	Fig.	No. of Contacts	Shell Size	Price Each		
					1	10	25
Solder Type - Contacts Inserted - Female							
798-HR25A-7R-6S	HR25A-7R-6S	B	6	7			
798-HR25A-7R-8S	HR25A-7R-8S	B	8	7			
798-HR25A-9R-12S	HR25A-9R-12S	B	12	9			
798-HR25A-9R-16S	HR25A-9R-16S	B	16	9			
798-HR25A-9R-20S	HR25A-9R-20S	B	20	9			
Thru Hole (for PC Board Mounting) - Contacts Inserted - Female							
798-HR25A-7R-8SA	HR25A-7R-8SA	C	8	7			
798-HR25A-9R-16SA	HR25A-9R-16SA	C	16	9			

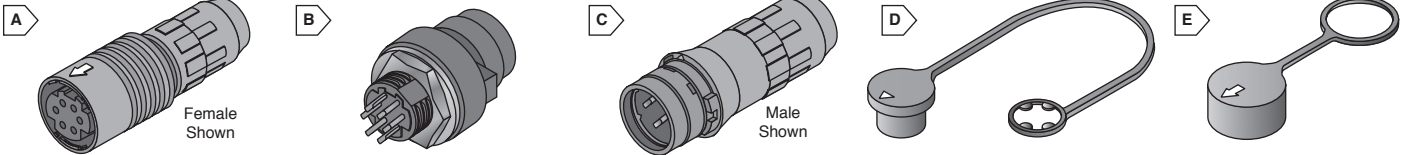
Receptacles For quantities greater than listed, call for quote.

MOUSER STOCK NO.	Hirose Part No.	Fig.	No. of Contacts	Shell Size	Price Each		
					1	10	25
Solder Type - Contacts Inserted - Male							
798-HR25A-9R-12P	HR25A-9R-12P	B	12	9			
798-HR25A-9R-20P	HR25A-9R-20P	B	20	9			

Jacks: Solder Type, Contacts Inserted, Female For quantities greater than listed, call for quote.

MOUSER STOCK NO.	Hirose Part No.	Fig.	No. of Contacts	Shell Size	Price Each		
					1	10	25
798-HR25A-9J-20S	HR25A-9J-20S	D	20	9			

HR30 SERIES, MINIATURE WATERPROOF PLASTIC CONNECTORS



Plugs For quantities greater than listed, call for quote.

MOUSER STOCK NO.	Hirose Part No.	Fig.	No. of Contacts	Shell Size	Price Each		
					1	10	25
Cable Diameter 4.2 to 5mm - Solder - Female							
798-HR30-6P-3S71	HR30-6P-3S(71)	A	3	6			
798-HR30-6P-6S71	HR30-6P-6S(71)	A	6	6			
Cable Diameter 4.2 to 5mm - Solder - Male							
798-HR30-6P-6P71	HR30-6P-6P(71)	A	6	6			
Cable Diameter 6.2 to 7mm - Crimp - Female							
798-HR30-7P-10SC71	HR30-7P-10SC(71)	A	10	7			
798-HR30-7P-12SC71	HR30-7P-12SC(71)	A	12	7			
Cable Diameter 6.2 to 7mm - Crimp - Male							
798-HR30-8P-12PC71	HR30-8P-12PC(71)	A	12	8			
Cable Diameter 6.2 to 7mm - Solder - Female							
798-HR30-7P-12S71	HR30-7P-12S(71)	A	12	7			
Cable Diameter 6.2 to 7mm - Solder - Male							
798-HR30-8P-12P71	HR30-8P-12P(71)	A	12	8			
Cable Diameter 3.5 to 4.3mm - Solder - Female							
798-HR30-6PA-3S71	HR30-6PA-3S(71)	A	3	6			
798-HR30-6PA-6S71	HR30-6PA-6S(71)	A	6	6			
Cable Diameter 3.5 to 4.3mm - Solder - Male							
798-HR30-6PA-6P71	HR30-6PA-6P(71)	A	6	6			

Receptacles For quantities greater than listed, call for quote.

Panel Connector - Solder - Female							
798-HR30-6R-6S71	HR30-6R-6S(71)	B	6	6			
798-HR30-8R-12S71	HR30-8R-12S(71)	B	12	8			
Panel Connector - Solder - Male							
798-HR30-6R-3P71	HR30-6R-3P(71)	B	3	6			
798-HR30-6R-6P71	HR30-6R-6P(71)	B	6	6			
798-HR30-7R-12P71	HR30-7R-12P(71)	B	12	7			
Thru Hole Connector - PCB - Female							
798-HR30-6R-6SD71	HR30-6R-6SD(71)	B	6	6			
798-HR30-8R-12SD71	HR30-8R-12SD(71)	B	12	8			
Thru Hole Connector - PCB - Male							
798-HR30-6R-6PD71	HR30-6R-6PD(71)	B	6	6			
798-HR30-7R-12PD71	HR30-7R-12PD(71)	B	12	7			
Panel Connector - Crimp - Female							
798-HR30-8R-12SC71	HR30-8R-12SC(71)	B	12	8			
Panel Connector - Crimp - Male							
798-HR30-7R-10PC71	HR30-7R-10PC(71)	B	10	7			
798-HR30-7R-12PC71	HR30-7R-12PC(71)	B	12	7			

Jacks For quantities greater than listed, call for quote.

Cable Diameter 4.2 to 5mm - Solder - Male							
798-HR30-6J-6P71	HR30-6J-6P(71)	C	6	6			
Cable Diameter 6.2 to 7mm - Solder - Female							
798-HR30-8J-12S71	HR30-8J-12S(71)	C	12	8			
Cable Diameter 6.2 to 7mm - Solder - Male							
798-HR30-7J-12P71	HR30-7J-12P(71)	C	12	7			
Cable Diameter 6.2 to 7mm - Crimp - Male							
798-HR30-7J-10PC71	HR30-7J-10PC(71)	C	10	7			
798-HR30-7J-12PC71	HR30-7J-12PC(71)	C	12	7			
Cable Diameter 6.2 to 7mm - Crimp - Female							
798-HR30-8J-12SC71	HR30-8J-12SC(71)	C	12	8			

Jacks (Cont.) For quantities greater than listed, call for quote.

MOUSER STOCK NO.	Hirose Part No.	Fig.	No. of Contacts	Shell Size	Price Each		
					1	10	25
Cable Diameter 3.5 to 4.3mm - Solder - Male							
798-HR30-6JA-6P71	HR30-6JA-6P(71)	C	6	6			

Crimp Contacts For quantities greater than listed, call for quote.

MOUSER STOCK NO.	Hirose Part No.	Plating	AWG	Price Each		
				1	10	25
Female						
798-HR30-SC-111	HR30-SC-111	Gold	26-30			
Male						
798-HR30-PC-111	HR30-PC-111	Gold	26-30			

Crimp Contacts (Reels) For quantities greater than listed, call for quote.

MOUSER STOCK NO.	Hirose Part No.	Plating	AWG	Reel Quantity	Price Per Piece
798-HR30-SC-211	HR30-SC-211	Gold	26-30	10,000	
Male					
798-HR30-PC-211	HR30-PC-211	Gold	26-30	10,000	

Accessories For quantities greater than listed, call for quote.

MOUSER STOCK NO.	Hirose Part No.	Fig.	Cap shell for:	Price Each		
				1	10	25
Caps for Plugs						
798-HR30-6P-C71	HR30-6P-C(71)	D	Size 6			
798-HR30-7P-C71	HR30-7P-C(71)	D	Size 7			
798-HR30-8P-C71	HR30-8P-C(71)	D	Size 8			
Caps for Receptacles						
798-HR30-6R-C71	HR30-6R-C(71)	E	Size 6			
798-HR30-7R-C71	HR30-7R-C(71)	E	Size 7 & 8			

Tools

MOUSER STOCK NO.	Hirose Part No.	Description	Price Each
798-HT-102/HR30-1	HT-102/HR30-1	Hand Crimping Tool 30-26 AWG	
798-HR30-6R-6P-T01	HR30-6R-6P-T01	Wiring Jig for Receptacle / Jack	
798-HR30-8P-T02	HR30-8P-T02	Tightening Collar 10P, 12P Backshell	
798-HR30-TP	HR30-TP	Extraction Tool	
798-HR30-6P-3S-T01	HR30-6P-3S-T01	Solder Fixture for HR30-6P-3S, PA-3S	
798-HR30-6R-3P-T01	HR30-6R-3P-T01	Solder Fixture for HR30-6R-3P	
798-HR30-6P-6P-T01	HR30-6P-6P-T01	Solder Fixture for HR30-6P-6P, PA-6P	
798-HR30-6R-6S-T01	HR30-6R-6S-T01	Solder Fixture for HR30-6R-6S	
798-HR30-7P-10SC-T01	HR30-7P-10SC-T01	Solder Fixture for HR30-7P-10SC	
798-HR30-7P-12SC-T01	HR30-7P-12SC-T01	Solder Fixture for HR30-7P-12S, 7P-12SC	
798-HR30-7J-10PC-T01	HR30-7J-10PC-T01	Solder Fixture for HR30-7J-10PC	
798-HR30-7J-12PC-T01	HR30-7J-12PC-T01	Solder Fixture for HR30-7J-12PC	
798-HR30-8J-12SC-T01	HR30-8J-12SC-T01	Solder Fixture for HR30-8J-12SC	
798-HR30-8P-12PC-T01	HR30-8P-12PC-T01	Solder Fixture for HR30-8P-12P, 8P-12PC	

LEMO Connectors



This product is RoHS compliant.



REDEL® XP SERIES - PUSH/PULL CONNECTORS

Features:

- Plastic shell made of Proprietary sulfone
- Blind mating, scoop proof
- Extended resistance to sterilization
- Enhanced ergonomics «hand grip»
- Increased resistance to shock
- New patented Push-Pull system
- Cable diameter: 5.3mm - 6.5mm

Applications:

- Medical electronics
- Test and measurement
- Industrial electronics



For quantities greater than listed, call for quote.

MOUSER STOCK NO.	LEMO Part No.	No. of Contacts	Collet Nut Color	Price Each		
				1	10	25
Plugs						
736-XANM08GLA6A	XAN.M08.GLA.6A	8	Blue			
736-XANM08GLA6G	XAN.M08.GLA.6G	8	Gray			
736-XANM13GLA6A	XAN.M13.GLA.6A	13	Blue			
736-XANM13GLA6G	XAN.M13.GLA.6G	13	Gray			
736-XANM22GLA6A	XAN.M22.GLA.6A	22	Blue			
736-XANM22GLA6G	XAN.M22.GLA.6G	22	Gray			
Plugs with cable collet and nut						
736-XANM08GLA6GZ	XAN.M08.GLA.6GZ	8	Gray			
736-XANM13GLA6GZ	XAN.M13.GLA.6GZ	13	Gray			
736-XANM22GLA6GZ	XAN.M22.GLA.6GZ	22	Gray			
Fixed Sockets						
736-XKNM08GLLA	XKN.M08.GLLA	8	Blue			
736-XKNM08GLLG	XKN.M08.GLLG	8	Gray			
736-XKNM13GLLA	XKN.M13.GLLA	13	Blue			
736-XKNM13GLLG	XKN.M13.GLLG	13	Gray			
736-XKNM22GLLA	XKN.M22.GLLA	22	Blue			
736-XKNM22GLLG	XKN.M22.GLLG	22	Gray			

For quantities greater than listed, call for quote.

MOUSER STOCK NO.	LEMO Part No.	No. of Contacts	Collet Nut Color	Price Each		
				1	10	25
Free Sockets						
736-XRNM08GLL6A	XRN.M08.GLL.6A	8	Blue			
736-XRNM08GLL6G	XRN.M08.GLL.6G	8	Gray			
736-XRNM13GLL6A	XRN.M13.GLL.6A	13	Blue			
736-XRNM13GLL6G	XRN.M13.GLL.6G	13	Gray			
736-XRNM22GLL6A	XRN.M22.GLL.6A	22	Blue			
736-XRNM22GLL6G	XRN.M22.GLL.6G	22	Gray			
Free Sockets with cable collet and nut						
736-XRNM08GLL6GZ	XRN.M08.GLL.6GZ	8	Gray			
736-XRNM13GLL6GZ	XRN.M13.GLL.6GZ	13	Gray			
736-XRNM22GLL6GZ	XRN.M22.GLL.6GZ	22	Gray			

For quantities greater than listed, call for quote.

MOUSER STOCK NO.	LEMO Part No.	Color	Price Each		
			1	10	25
Bend Relief					
* 736-GMA.1B.065.DG	GMA.1B.065.DG	Gray			

* Required for part numbers ending in GZ

REDEL® SERIES - PUSH/PULL PLASTIC CONNECTORS

LEMO's line of REDEL® plastic connectors are considered the quality standard in the medical industry. This series is also ideally suited for aerospace, test and measurement, and research applications.

Specifications:

- Multi-contact types from 2 to 32 contacts
- IP Rating 61
- RoHS compliant per LEMO documentation
- Collets included for 2.7mm - 6.5mm diameter wire

Features:

- Extensive steam or chemical sterilization with rugged PSU or PEI housing materials
- Multi-contact and hybrid inserts save space and connection time



REDEL® 1P Series

For quantities greater than listed, call for quote.

MOUSER STOCK NO.	LEMO Part No.	No. of Contacts	Price Each			
			1	10	25	50
Male Solder-Plugs						
Gray shell with kit for all 3 collet sizes						
736-PAGM02GLAZGK	PAG.M0.2GL.AZGK	2				
736-PAGM04GLAZGK	PAG.M0.4GL.AZGK	4				
736-PAGM05GLAZGK	PAG.M0.5GL.AZGK	5				
736-PAGM06GLAZGK	PAG.M0.6GL.AZGK	6				
736-PAGM07GLAZGK	PAG.M0.7GL.AZGK	7				
736-PAGM08GLAZGK	PAG.M0.8GL.AZGK	8				
736-PAGM09GLAZGK	PAG.M0.9GL.AZGK	9				
736-PAGM10GLAZGK	PAG.M1.0GL.AZGK	10				
736-PAGM14GLAZGK	PAG.M1.4GL.AZGK	14				
Female Solder-Receptacles						
Panel front or rear mount gray shell						
736-PKGM02SLLG	PKG.M0.2SL.LG	2				
736-PKGM04SLLG	PKG.M0.4SL.LG	4				
736-PKGM05SLLG	PKG.M0.5SL.LG	5				
736-PKGM06SLLG	PKG.M0.6SL.LG	6				
736-PKGM07SLLG	PKG.M0.7SL.LG	7				
736-PKGM08SLLG	PKG.M0.8SL.LG	8				
736-PKGM09SLLG	PKG.M0.9SL.LG	9				
736-PKGM10SLLG	PKG.M1.0SL.LG	10				
736-PKGM14SLLG	PKG.M1.4SL.LG	14				

REDEL® 1P Hardware

For quantities greater than listed, call for quote.

MOUSER STOCK NO.	LEMO Part No.	Description	Price Each			
			1	10	25	50
Backnuts						
736-PAG130UA0	PAG.13.0UA.0	Standard backnut, blue				
736-PAG130UJ0	PAG.13.0UJ.0	Standard backnut, yellow				
736-PAG130UN0	PAG.13.0UN.0	Standard backnut, black				
736-PAG130UR0	PAG.13.0UR.0	Standard backnut, red				
736-PAG130UV0	PAG.13.0UV.0	Standard backnut, green				
736-PAM130UG0	PAM.13.0UG.0	Bend relief backnut, gray				
Front Nuts						
736-PKG220UA0	PKG.22.0UA.0	Colored front nut, blue				
736-PKG220UJ0	PKG.22.0UJ.0	Colored front nut, yellow				
736-PKG220UN0	PKG.22.0UN.0	Colored front nut, black				
736-PKG220UR0	PKG.22.0UR.0	Colored front nut, red				
736-PKG220UV0	PKG.22.0UV.0	Colored front nut, green				

M-SERIES TWIST LOCK CONNECTORS

An Extensive Line of Harsh Environment, Ratchet Coupling Connectors

Specifications:

- IP 68 Rating: 15 hours, 2m
- Mating Cycles = 3000
- Temperature Range: -50°C/+200°C
- Salt spray corrosion: 144h
- Shell Material: Aluminum with conductive nickel plating
- Shock resistance: 100g, 6ms

Features:

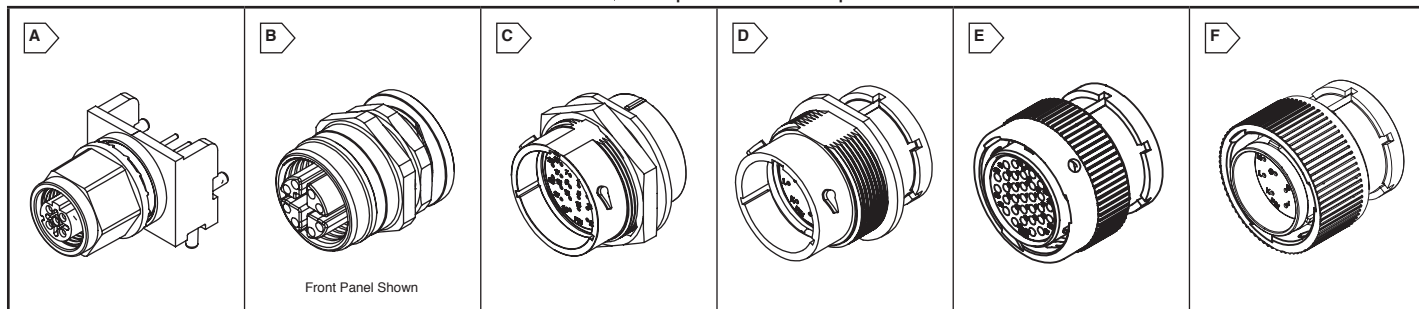
- Ratchet-coupling mechanism
- Quick mating: 1/2 turn to seat
- Compact design for space savings
- Lightweight Aluminum Housing
- Oil and fuel resistant
- High vibration and shock resistance
- 360° screening for full EMC shielding
- Sealed to IP68 when mated
- Scoop proof
- Contacts are Crimp type unless otherwise specified



For quantities greater than listed, call for quote.

MOUSER STOCK NO.	LEMO Part No.	Shell Size	No. of Contacts	Contact Type	Description	Price Each		
						1	10	25
Plugs								
736-FGNM305XLCT	FGN.0M.305.XLCT	0	5	Male	Straight Plug, Arctic Grip with Mold Stop			
736-FGSM305XLMT	FGS.0M.305.XLMT	0	5	Female	Straight Plug, Arctic Grip with Mold Stop			
736-FMSM305XLMT	FMS.0M.305.XLMT	0	5	Female	Straight Plug, Knurled Grip with Mold Stop			
736-FMN1M308XLCT	FMN.1M.308.XLCT	1	8	Male	Straight Plug, Knurled Grip with Mold Stop			
736-FGN1M308XLCT	FGN.1M.308.XLCT	1	8	Male	Straight Plug, Arctic Grip with Mold Stop			
736-FGS1M308XLMT	FGS.1M.308.XLMT	1	8	Female	Straight Plug, Arctic Grip with Mold Stop			
736-FMN2M319XLCT	FMN.2M.319.XLCT	2	19	Male	Straight Plug, Knurled Grip with Mold Stop			
Receptacles								
736-PENOM305XLMT	PEN.0M.305.XLMT	0	5	Female	Rear Panel Mount with Nut			
736-PESOM305XLCT	PES.0M.305.XLCT	0	5	Male	Rear Panel Mount with Nut			
736-HESOM305XLDP	HES.0M.305.XLDP	0	5	Male	Rear Panel Mount, PCB Potted Contacts with Nut			
736-PEN1M308XLMT	PEN.1M.308.XLMT	1	8	Female	Rear Panel Mount with Nut			
736-PES1M308XLCT	PES.1M.308.XLCT	1	8	Male	Rear Panel Mount with Nut			
736-HEN1M308XLNP	HEN.1M.308.XLNP	1	8	Female	Rear Panel Mount, PCB Potted Contacts with Nut			
736-HES1M308XLDP	HES.1M.308.XLDP	1	8	Male	Rear Panel Mount, PCB Potted Contacts with Nut			
736-PEN2M319XLMT	PEN.2M.319.XLMT	2	19	Female	Rear Panel Mount with Nut			

RoHS Compliant This product is RoHS compliant.



BRAD® MICRO-CHANGE® M12 HARSH-DUTY RECEPTACLES

Features:

- Robust housing with heavy-duty die-cast construction and IEC 61076-2-101 compliant design
- Waterproof sealed and IP67, IP69K compliant
- Rated to 250V AC/DC, up to 4.0A
- Toolled for Ethernet and Controller-Area Network (CAN bus) protocols and passive applications including discreet and analog sensors
- Receptacle designed with a vibration-resistant mounting nut
- Receptacles available in right-angle and straight configurations and 5-Pole A-, 4-pole D-code keyway options



For quantities greater than listed, call for quote.

MOUSER STOCK NO.	Molex Part No.	Fig.	No. of Poles	Code	Orientation	Price Each			
						1	10	25	50
538-130299-0100	130299-0100	A	4	D	Right Angle				
538-130299-0200	130299-0200	A	4	D	Straight				
538-130299-0300	130299-0300	A	5	A	Right Angle				
538-130299-0400	130299-0400	A	5	A	Straight				

BRAD® MICRO-CHANGE® M12 CAT6A CONNECTOR SYSTEM

Features:

- Robust, compact M12 CAT6A X-code connector design
- External and internal o-ring seals
- X-code keying alignment allows for blind mating
- Complete sealing to IP67 standard
- Corrosion resistant hardware ensures compatibility in harsh environments



For quantities greater than listed, call for quote.

MOUSER STOCK NO.	Molex Part No.	Fig.	No. of Poles	Description	Price Each			
					1	10	25	50
Receptacles								
538-120341-0075	120341-0075	B	8	Front Panel-Mount				
538-120341-0150	120341-0150	B	8	Back Panel-Mount				
Cable Assembly								
538-120341-0302	120341-0302	-	8	Male / Male, 2M		-	-	-

MOLEX XRC™ - EXTRA RUGGED SEALED PLASTIC CIRCULAR CONNECTORS

XRC™ is available to meet the demanding requirements of the non-automotive transportation markets. These economical rugged circular connectors are ideal for heavy-duty applications.

Features:

- Bayonet-style latch
- IP67 environmentally sealed
- Backshell available for 24-shell size
- Tactile and audible feedback
- Standard and reverse genders for custom polarization
- Crimp and poke technology

Specifications:

- Housings: Glass-filled PBT
- Seals: Silicone rubber, rust red
- Terminals: Contact area plating - Nickel
- Current: 18AWG - 10.0A max, 16-14AWG - 13.0A max
- Operating Temperature: -40°C to +125°C
- Contact retention to housing: 53.4N (12 lbs)

Receptacles

For quantities greater than listed, call for quote.

MOUSER STOCK NO.	Molex Part No.	Fig.	Shell Size	No. of Circuits	Insert Type	Wire Range AWG	Seal Retainer	Price Each		
								1	5	10
538-84511-0004	84511-0004	C	24	31	Pin	14-18	Without Collar			
538-84506-0001	84506-0001	C	24	31	Socket	14-18	Without Collar			
538-84511-0005	84511-0005	C	24	31	Pin	14-18	With Collar			
538-84506-0003	84506-0003	C	24	31	Socket	14-18	With Collar			
538-84502-0008	84502-0008	D	18	14	Pin	14-18	With Collar			
538-84508-0001	84508-0001	D	18	14	Socket	14-18	With Collar			

Features:

- Bayonet-style latch
- IP67 environmentally sealed
- Backshell available for 24-shell size
- Tactile and audible feedback
- Standard and reverse genders for custom polarization
- Crimp and poke technology

Specifications:

- Housings: Glass-filled PBT
- Seals: Silicone rubber, rust red
- Terminals: Contact area plating - Nickel
- Current: 18AWG - 10.0A max, 16-14AWG - 13.0A max
- Operating Temperature: -40°C to +125°C
- Contact retention to housing: 53.4N (12 lbs)

Plugs

For quantities greater than listed, call for quote.

MOUSER STOCK NO.	Molex Part No.	Fig.	Shell Size	No. of Circuits	Insert Type	Wire Range AWG	Seal Retainer	Price Each		
								1	5	10
538-84505-0001	84505-0001	E	24	31	Pin	14-18	Without Collar			
538-84510-0004	84510-0004	E	24	31	Socket	14-18	Without Collar			
538-84505-0003	84505-0003	E	24	31	Pin	14-18	With Collar			
538-84510-0005	84510-0005	E	24	31	Socket	14-18	With Collar			
538-84501-0001	84501-0001	F	18	14	Pin	14-18	With Collar			
538-84507-0012	84507-0012	F	18	14	Socket	14-18	With Collar			

Terminals

For quantities greater than listed, call for quote.

MOUSER STOCK NO.	Molex Part No.	Fig.	Terminal Size	Wire Range AWG	Gender	Insulation Outside Diameter	Price Each		
							1	100	500
538-84525-0025	84525-0025	-	16	14-18	Socket	2.41 to 3.81 mm			
538-84524-0012	84524-0012	-	16	14-18	Pin	2.41 to 3.81 mm			
538-84525-0017	84525-0017	-	16	14-18	Socket	1.91 to 3.30 mm			
538-84524-0008	84524-0008	-	16	14-18	Pin	1.91 to 3.30 mm			
538-84525-0009	84525-0009	-	16	16-18	Socket	1.40 to 2.16 mm			
538-84524-0004	84524-0004	-	16	16-18	Pin	1.40 to 2.16 mm			

Accessories

For quantities greater than listed, call for quote.

MOUSER STOCK NO.	Molex Part No.	Fig.	Description	Use With	Price Each		
					1	100	500
538-84509-0002	84509-0002	-	Circuit Plug	Plugs & Receptacles - Shell Size 24,18			
538-84506-0012	84506-0012	-	Panel Mount Hex Nut - Shell Size 24	Receptacles - Shell Size 24			
538-84502-0004	84502-0004	-	Panel Mount Hex Nut - Shell Size 18	Receptacles - Shell Size 18			
538-84537-0003	84537-0003	-	Backshell, Straight long - Shell Size 24	Plugs & Receptacles - Shell Size 24			

PHOENIX CONTACT M12/M8 Connectors and Cord Sets



M8 PLUSCON CONNECTORS

For quantities greater than listed, call for quote.

MOUSER STOCK NO.		Fig.	Phoenix Contact Type	No. of Pos.	Conductor Cross Section (mm ²)	Cable Diameter	Type	Price Each		
Mfr.	Mfr. Part No.							1	10	25
Single Ended Cord Sets - Straight										
651-1441008		A	SACC-M8MS-3QO-0.25-M	3	0.08 - 0.25	2.5-5mm	Male			
651-1441024		A	SACC-M8MS-3QO-0.5-M	3	0.25 - 0.50	2.5-5mm	Male			
651-1441040		B	SACC-M8FS-3QO-0.25-M	3	0.08 - 0.25	2.5-5mm	Female			
651-1441066		B	SACC-M8FS-3QO-0.5-M	3	0.25 - 0.50	2.5-5mm	Female			
651-1441011		A	SACC-M8MS-4QO-0.25-M	4	0.08 - 0.25	2.5-5mm	Male			
651-1441037		A	SACC-M8MS-4QO-0.5-M	4	0.25 - 0.50	2.5-5mm	Male			
651-1441053		B	SACC-M8FS-4QO-0.25-M	4	0.08 - 0.25	2.5-5mm	Female			
651-1441079		B	SACC-M8FS-4QO-0.5-M	4	0.25 - 0.50	2.5-5mm	Female			

M12 PLUSCON HIGH DENSITY CONNECTORS

For quantities greater than listed, call for quote.

MOUSER STOCK NO.		Fig.	Phoenix Contact Type	No. of Pos.	Cable Diameter	Type	Price Each		
Mfr.	Mfr. Part No.						1	10	25
Single Ended Cord Sets - Straight									
651-1559592		C	SACC-MS-12PCON SCO	12	5.4 - 8.2mm	Male			
651-1559631		D	SACC-FS-12PCON SCO	12	5.4 - 8.2mm	Female			
651-1559602		C	SACC-MS-17PCON SCO	17	5.4 - 8.2mm	Male			
651-1559644		D	SACC-FS-17PCON SCO	17	5.4 - 8.2mm	Female			

M12/M8 THREADED CORD SETS

For quantities greater than listed, call for quote.

MOUSER STOCK NO.		Fig.	Phoenix Contact Type	No. of Con.	End 1	End 2	Length (m)	Price Each		
Mfr.	Mfr. Part No.							1	10	25
M8 Single-Ended Cord Sets - Straight Male Connector										
651-1681664		E	SAC-3P-M 8MS/1.5-PUR	3	Straight Male	Open	1.5			
651-1681677		E	SAC-3P-M 8MS/3.0-PUR	3	Straight Male	Open	3			
651-1681680		E	SAC-3P-M 8MS/5.0-PUR	3	Straight Male	Open	5			
M8 Single-Ended Cord Sets - Right Angle Male Connector										
651-1681693		F	SAC-3P-M 8MR/1.5/PUR	3	R/A Male	Open	1.5			
M8 Single-Ended Cord Sets - Straight Female Connector										
651-1669712		G	SAC-3P-1.5-PUR/M 8FS	3	Straight Female	Open	1.5			
651-1669725		G	SAC-3P-3.0-PUR/M 8FS	3	Straight Female	Open	3			
651-1669628		G	SAC-3P-5.0-PUR/M 8FS	3	Straight Female	Open	5			
M8 Single-Ended Cord Sets - Right Angle Female Connector										
651-1669738		H	SAC-3P-1.5-PUR/M 8FR	3	R/A Female	Open	1.5			
651-1669741		H	SAC-3P-3.0-PUR/M 8FR	3	R/A Female	Open	3			
651-1669631		H	SAC-3P-5.0-PUR/M 8FR	3	R/A Female	Open	5			
M12 Single-Ended Cord Sets - Straight Male Connector										
651-1668043		E	SAC-4P-M12MS/1.5-PUR	4	Straight Male	Open	1.5			
651-1668056		E	SAC-4P-M12MS/3.0-PUR	4	Straight Male	Open	3			
651-1668069		E	SAC-4P-M12MS/5.0-PUR	4	Straight Male	Open	5			
M12 Single-Ended Cord Sets - Right Angle Male Connector										
651-1668179		F	SAC-4P-M12MR/3.0-PUR	4	R/A Male	Open	3			
651-1668182		F	SAC-4P-M12MR/5.0-PUR	4	R/A Male	Open	5			
651-1694457		F	SAC-4P-M12MR/10.0-PUR	4	R/A Male	Open	10			
M12 Single-Ended Cord Sets - Straight Female Connector										
651-1668108		G	SAC-4P-1.5-PUR/M12FS	4	Straight Female	Open	1.5			
651-1668111		G	SAC-4P-3.0-PUR/M12FS	4	Straight Female	Open	3			
651-1668124		G	SAC-4P-5.0-PUR/M12FS	4	Straight Female	Open	5			
651-1683002		G	SAC-4P-10.0-PUR/M12FS	4	Straight Female	Open	10			
M12 Single-Ended Cord Sets - Right Angle Female Connector										
651-1668221		H	SAC-4P-1.5-PUR/M12FR	4	R/A Female	Open	1.5			
651-1668234		H	SAC-4P-3.0-PUR/M12FR	4	R/A Female	Open	3			
651-1668247		H	SAC-4P-5.0-PUR/M12FR	4	R/A Female	Open	5			
651-1681389		H	SAC-4P-10.0-PUR/M12FR	4	R/A Female	Open	10			
M12 Double-Ended Cord Sets - Straight Male / Straight Female Connectors										
651-1668357		I	SAC-4P-M12MS/0.3-PUR/M12FS	4	Straight Male	Straight Female	0.3			
651-1668360		I	SAC-4P-M12MS/0.6-PUR/M12FS	4	Straight Male	Straight Female	0.6			
651-1668373		I	SAC-4P-M12MS/1.5-PUR/M12FS	4	Straight Male	Straight Female	1.5			
651-1668386		I	SAC-4P-M12MS/3.0-PUR/M12FS	4	Straight Male	Straight Female	3			

M12 SPEEDCON CORD SETS

For quantities greater than listed, call for quote.

MOUSER STOCK NO.		Fig.	Phoenix Contact Type	No. of Con.	End 1	End 2	Length (m)	Price Each		
Mfr.	Mfr. Part No.							1	10	25
Single Ended Cord Sets - Straight										
651-1518960		J	SAC-5P-MS/1.5-PUR SCO	5	Straight Male	Open	1.5			
651-1518973		J	SAC-5P-MS/3.0-PUR SCO	5	Straight Male	Open	3			
Double Ended Cord Sets - Straight										
651-1519079		K	SAC-5P-MS/3.0-PUR/FS SCO	5	Straight Male	Straight Female	3			

M12 PLUSCON SAC OUTDOOR CORD SETS

For quantities greater than listed, call for quote.

MOUSER STOCK NO.		Fig.	Phoenix Contact Type	No. of Con.	End 1	End 2	Length (m)	Price Each		
Mfr.	Mfr. Part No.							1	10	25
Single Ended Cord Sets-Straight Male										
651-1454040		E	SAC-4P-M12MS/2.0-28X OD	4	Straight Male	Open	2			
651-1454053		E	SAC-4P-M12MS/5.0-28X OD	4	Straight Male	Open	5			
Single Ended Cord Sets-Straight Female										
651-1454079		F	SAC-4P-2.0-28X/M12FS OD	4	Straight Female	Open	2			
651-1454082		F	SAC-4P-5.0-28X/M12FS OD	4	Straight Female	Open	5			
651-1454095		F	SAC-4P-10.0-28X/M12FS OD	4	Straight Female	Open	10			
Double Ended Cord Sets-Straight										
651-1454105		I	SAC-4P-M12MS/2.0-28X/M12FS OD	4	Straight Male	Straight Female	2			
651-1454118		I	SAC-4P-M12MS/5.0-28X/M12FS OD	4	Straight Male	Straight Female	5			

M12 - 4 Pin Wire Diagram (female)

M8 - 3 Pin Wire Diagram (female)

A

B

C

D

E

F

G

H

I

J

K

K

Phoenix Contact Circular Connectors

PHOENIX CONTACT M12/M8 Connectors

M12/M8 QUICKON-ONE PLUG CONNECTORS

Features:

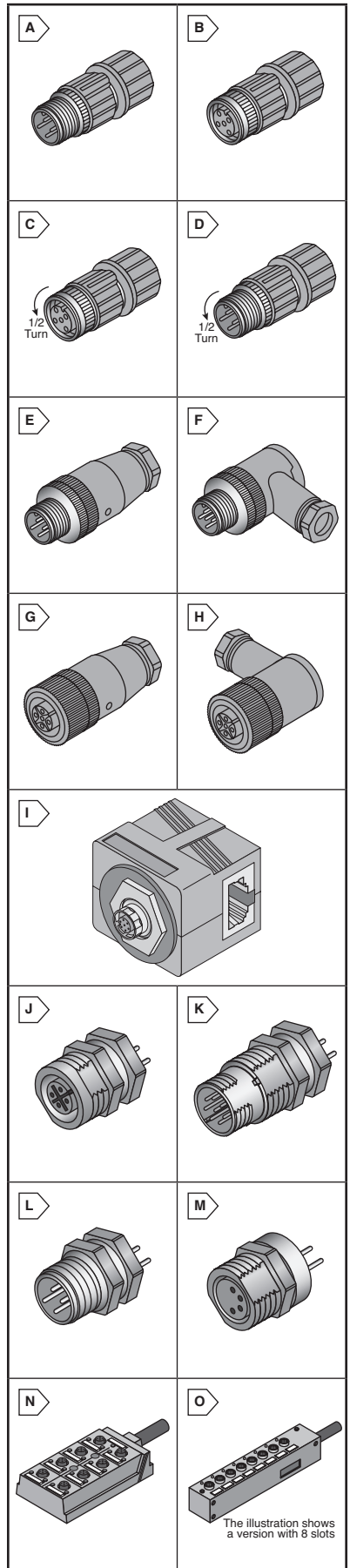
- QUICKON-ONE design allows rapid connector termination
- No Individual Wire
- IDC Wire Termination

Specifications:

- Current Rating: 4A
- IP-Degree: IP67 (IEC 60529)
- Voltage Rating: 125VAC

For quantities greater than listed, call for quote.

MOUSER STOCK NO.		Fig.	Phoenix Contact Type	No. of Positions	Cable Diameter	Mating Thread Material	AWG Range	Type	Price Each		
Mfr.	Mfr. Part No.								1	10	25
M12 Quickon-One Plug Connector											
651—1641714		A	SACC-M12MS-4QO-0.34	4	3.5 - 6mm	Plastic	26-22	Male			
651—1641691		A	SACC-M12MS-4QO-0.34-M	4	3.5 - 6mm	Metal	26-22	Male			
651—1641769		A	SACC-M12MS-4QO-0.75	4	3.5 - 6mm	Plastic	22-18	Male			
651—1641785		A	SACC-M12MS-4QO-0.75-M	4	3.5 - 6mm	Metal	22-18	Male			
651—1641701		B	SACC-M12FS-4QO-0.34	4	3.5 - 6mm	Plastic	26-22	Female			
651—1641688		B	SACC-M12FS-4QO-0.34-M	4	3.5 - 6mm	Metal	26-22	Female			
651—1641756		B	SACC-M12FS-4QO-0.75	4	3.5 - 6mm	Plastic	22-18	Female			
651—1641772		B	SACC-M12FS-4QO-0.75-M	4	3.5 - 6mm	Metal	22-18	Female			
M12 SPEEDCON Quickon-One Plug Connector											
651—1521601		C	SACC-M12FS-4QO-0.75-M SCO	4	3.5 - 6mm	Metal	22-18	Female			
651—1521591		D	SACC-M12MS-4QO-0.75-M SCO	4	3.5 - 6mm	Metal	22-18	Female			
M8 Quickon-One Plug Connector											
651—1506752		A	SACC-M 8MS-3PCON	3	3 - 5mm	Metal	26-22	Male			
651—1506778		B	SACC-M 8FS-3PCON	3	3 - 5mm	Metal	26-22	Female			



Circular Connectors
Phoenix Contact

M12/M8 PLUG CONNECTORS

Features:

- Right Angle Versions can be swiveled
- Metal Threaded Knurls

Specifications:

- Current Rating: 4A
- IP-Degree: IP67 (IEC 60529)
- Voltage Rating: 125VAC



RoHS Compliant

For quantities greater than listed, call for quote.

MOUSER STOCK NO.		Fig.	Phoenix Contact Type	No. of Positions	Type Termination	Cable Diameter	Type	Price Each		
Mfr.	Mfr. Part No.							1	10	25
M12 Plug Connector										
651—1662528		E	SACC-M12MS-4CON-PG7-M	4	Screw	4 - 6mm	Straight Male			
651—1681101		F	SACC-M12MR-4CON-PG7-M	4	Screw	4 - 6mm	R/A Male			
651—1681127		G	SACC-M12FS-4CON-PG7-M	4	Screw	4 - 6mm	Straight Female			
651—1681143		H	SACC-M12FR-4CON-PG7-M	4	Screw	4 - 6mm	R/A Female			
M8 Plug Connector										
651—1681156		E	SACC-M8MS-3CON-M	3	Solder	3.5 - 5 mm	Straight Male			
651—1501252		G	SACC-M8MS-3CON-M-SW	3	Screw	3.5 - 5 mm	Straight Male			
651—1681172		E	SACC-M8FS-3CON-M	3	Solder	3.5 - 5 mm	Straight Female			
651—1506888		G	SACC-M8FS-3CON-M-SW	3	Screw	3.5 - 5 mm	Straight Female			

M12 CABINET FEEDTHROUGH

Features:

- Transition from M12 Field devices to RJ45 Devices inside control cabinet
- 180° and 90° versions available

Specifications:

- IP-Degree: IP65/67
- Cat5e Rated
- Temperature range: -25°C to +85°C

For quantities greater than listed, call for quote.

MOUSER STOCK NO.		Fig.	Phoenix Contact Type	No. of Positions	Coding	Mating Thread Material	Orientation	Price Each		
Mfr.	Mfr. Part No.							1	10	25
651—1657261		I	VS-BH-M12FSD-RJ45/90	4	A	Metal	90°			
651—1657494		I	VS-BH-M12FSDRJ45/180	4	A	Metal	180°			
651—1405057		I	VS-BHM12FS-8CON-RJ45	8	D	Metal	90°			
651—1405060		I	VS-BHM12FS-8CON-RJ45	8	D	Metal	180°			

PANEL MOUNT CONNECTORS

For quantities greater than listed, call for quote.

MOUSER STOCK NO.		Fig.	Phoenix Contact Type	No. of Positions	Keying	Orientation	Price Each		
Mfr.	Mfr. Part No.						1	10	25
M12 - Speedcon - PCB									
651—1542761		J	SACC-DSI-FS-5CON-L180 SCO	5	A-standard	Straight Female			
651—1543650		J	SACC-DSI-FSB-5CON-L180 SCO	5	B-inverse	Straight Female			
651—1542774		J	SACC-DSI-FS-8CON-L180 SCO	8	A-standard	Straight Female			
651—1542745		K	SACC-DSI-MS-5CON-L180 SCO	5	A-standard	Straight Male			
651—1542758		K	SACC-DSI-MS-8CON-L180 SCO	8	A-standard	Straight Male			
M8 - PCB									
651—1694334		L	SACC-DSI-M8MS-3CON-L180	3	---	Straight Male			
651—1694363		M	SACC-DSI-M8FS-3CON-L180	3	---	Straight Female			
651—1694376		M	SACC-DSI-M8FS-4CON-L180	4	---	Straight Female			
M8 Receptacles with 0.5M Wire Leads									
651—1500350		-	SACC-E-M-8FS-3CON-M8/0.5	3	---	Female Panel			
651—1500334		-	SACC-E-M-8MS-3CON-M8/0.5	3	---	Male Panel			

SENSOR/ACTUATOR BOXES

The SACB sensor/actuator boxes set new standards in distributed field cabling when it comes to space. Ideal use of space is guaranteed by the extremely flat design. The boxes are offered in a variety of styles to accommodate any application.

For quantities greater than listed, call for quote.

MOUSER STOCK NO.		Fig.	Phoenix Contact Type	No. of Slots	No. of Positions	Master Cable L (m)	Slot Type	With LED	Price Each	
Mfr.	Mfr. Part No.								1	5
M12 Boxes										
651—1680982		N	SACB-8/8-5.0PUR	8	4	5	Single-Occupied	-		
651—1695171		N	SACB-8/8-L-10.0PUR	8	4	10	Single-Occupied	LED		
M12 Sensor/Actuator Boxes with Connected Master Cable - Speedcon										
651—1517165		N	SACB-8/8-L-5.0PUR SCO	8	4	5	Single-Occupied	LED		
M8 Sensor/Actuator Boxes										
651—1516072		O	SACB-10/3-L-5.0PUR M8	10	3	5	-	LED		

The illustration shows a version with 8 slots

PHOENIX CONTACT M12 Cables and Connectors



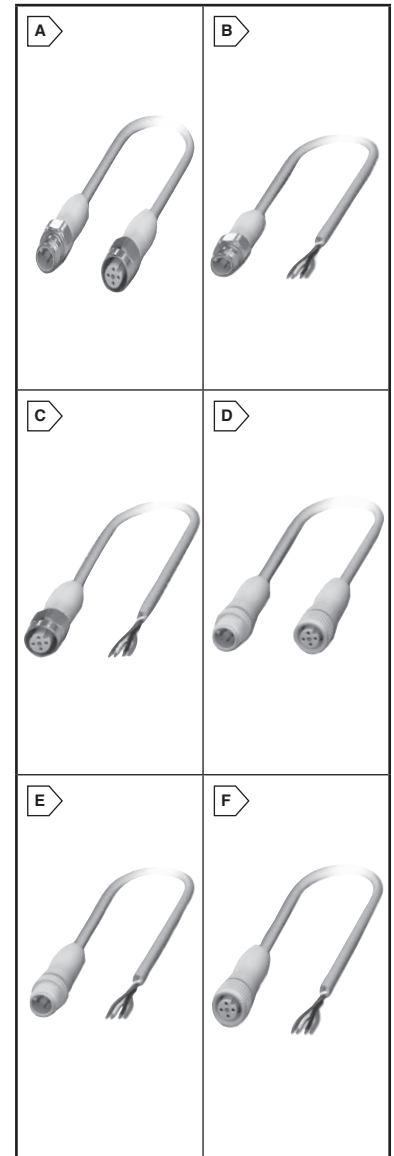
RoHS Compliant This page of product is RoHS compliant.

HYGIENIC DESIGN - STEEL KNURL CONNECTOR

MOUSER STOCK NO. Mfr. Mfr. Part No.	Fig.	Phoenix Type	No. of Pos.	Length (m)	Price Each			
					1	10	25	50
Male Straight to Female Straight								
651-1403968	A	SAC-4P-M12MS/0,3-600/M12FS HD	4	0.3				
651-1403969	A	SAC-4P-M12MS/0,6-600/M12FS HD	4	0.6				
651-1403970	A	SAC-4P-M12MS/1,5-600/M12FS HD	4	1.5				
651-1403971	A	SAC-4P-M12MS/3,0-600/M12FS HD	4	3				
651-1404063	A	SAC-5P-M12MS/0,3-600/M12FS HD	5	0.3				
651-1404064	A	SAC-5P-M12MS/0,6-600/M12FS HD	5	0.6				
651-1404065	A	SAC-5P-M12MS/1,5-600/M12FS HD	5	1.5				
651-1404066	A	SAC-5P-M12MS/3,0-600/M12FS HD	5	3				
Male Straight to Open End								
651-1403947	B	SAC-4P-M12MS/1,5-600 HD	4	1.5				
651-1403948	B	SAC-4P-M12MS/3,0-600 HD	4	3				
651-1403949	B	SAC-4P-M12MS/5,0-600 HD	4	5				
651-1403951	B	SAC-4P-M12MS/10,0-600 HD	4	10				
651-1404039	B	SAC-5P-M12MS/1,5-600 HD	5	1.5				
651-1404041	B	SAC-5P-M12MS/3,0-600 HD	5	3				
651-1404042	B	SAC-5P-M12MS/5,0-600 HD	5	5				
651-1404043	B	SAC-5P-M12MS/10,0-600 HD	5	10				
Female Straight to Open End								
651-1403956	C	SAC-4P-1,5-600/M12FS HD	4	1.5				
651-1403957	C	SAC-4P-3,0-600/M12FS HD	4	3				
651-1403958	C	SAC-4P-5,0-600/M12FS HD	4	5				
651-1403959	C	SAC-4P-10,0-600/M12FS HD	4	10				
651-1404049	C	SAC-5P-1,5-600/M12FS HD	5	1.5				
651-1404050	C	SAC-5P-3,0-600/M12FS HD	5	3				
651-1404051	C	SAC-5P-5,0-600/M12FS HD	5	5				
651-1404052	C	SAC-5P-10,0-600/M12FS HD	5	10				

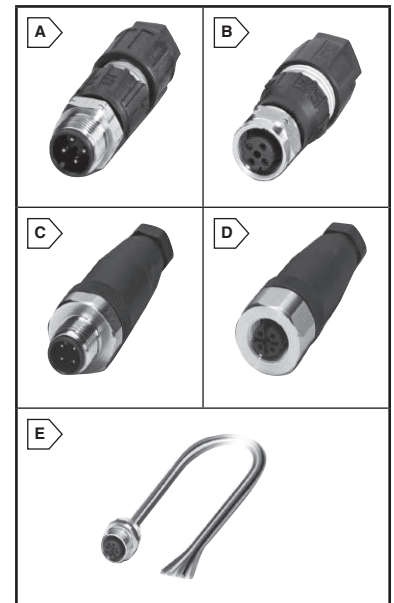
WASH-DOWN DESIGN - PLASTIC KNURL CONNECTOR

MOUSER STOCK NO. Mfr. Mfr. Part No.	Fig.	Phoenix Type	No. of Pos.	Length (m)	Price Each			
					1	10	25	50
Male Straight to Female Straight								
651-1404023	D	SAC-4P-M12MS/0,3-600/M12FS FB	4	0.3				
651-1404024	D	SAC-4P-M12MS/0,6-600/M12FS FB	4	0.6				
651-1404025	D	SAC-4P-M12MS/1,5-600/M12FS FB	4	1.5				
651-1404026	D	SAC-4P-M12MS/3,0-600/M12FS FB	4	3				
651-1404097	D	SAC-5P-M12MS/0,3-600/M12FS FB	5	0.3				
651-1404098	D	SAC-5P-M12MS/0,6-600/M12FS FB	5	0.6				
651-1404099	D	SAC-5P-M12MS/1,5-600/M12FS FB	5	1.5				
651-1404101	D	SAC-5P-M12MS/3,0-600/M12FS FB	5	3				
Male Straight to Open End								
651-1404002	E	SAC-4P-M12MS/1,5-600 FB	4	1.5				
651-1404003	E	SAC-4P-M12MS/3,0-600 FB	4	3				
651-1404004	E	SAC-4P-M12MS/5,0-600 FB	4	5				
651-1404005	E	SAC-4P-M12MS/10,0-600 FB	4	10				
651-1404075	E	SAC-5P-M12MS/1,5-600 FB	5	1.5				
651-1404076	E	SAC-5P-M12MS/3,0-600 FB	5	3				
651-1404077	E	SAC-5P-M12MS/5,0-600 FB	5	5				
651-1404078	E	SAC-5P-M12MS/10,0-600 FB	5	10				
Female Straight to Open End								
651-1404010	F	SAC-4P-1,5-600/M12FS FB	4	1.5				
651-1404011	F	SAC-4P-3,0-600/M12FS FB	4	3				
651-1404012	F	SAC-4P-5,0-600/M12FS FB	4	5				
651-1404013	F	SAC-4P-10,0-600/M12FS FB	4	10				
651-1404083	F	SAC-5P-1,5-600/M12FS FB	5	1.5				
651-1404084	F	SAC-5P-3,0-600/M12FS FB	5	3				
651-1404085	F	SAC-5P-5,0-600/M12FS FB	5	5				
651-1404086	F	SAC-5P-10,0-600/M12FS FB	5	10				



M12 CONNECTORS

MOUSER STOCK NO. Mfr. Mfr. Part No.	Fig.	Phoenix Type	No. of Pos.	Connector Type	Termination Style	Price Each			
						1	10	25	50
651-1440753	A	SACC-M12MS-4QO-0,34-VA	4	Pin (Male)	IDC				
651-1440779	A	SACC-M12MS-4QO-0,75-VA	4	Pin (Male)	IDC				
651-1440782	B	SACC-M12FS-4QO-0,75-VA	4	Socket (Female)	IDC				
651-1553161	C	SACC-M12MS-4CON-PG 7-VA	4	Pin (Male)	Screw				
651-1553190	C	SACC-M12MS-5CON-PG 9-VA	5	Pin (Male)	Screw				
651-1553242	D	SACC-M12FS-4CON-PG 7-VA	4	Socket (Female)	Screw				
651-1553268	D	SACC-M12FS-4CON-PG 9-VA	4	Socket (Female)	Screw				
651-1553271	D	SACC-M12FS-5CON-PG 9-VA	5	Socket (Female)	Screw				
651-1553307	D	SACC-M12FR-5CON-PG 9-VA	5	Socket (Female)	Screw				



PLUSCON SACC SERIES M12 PANEL FEED-THROUGH CONNECTORS WITH LITZ WIRE

- Cable Type: Individual
- Length: 1.64' (500.00mm)
- Color: Multiple
- Shielding: Unshielded

MOUSER STOCK NO. Mfr. Mfr. Part No.	Fig.	Phoenix Type	No. of Pos.	Description	Price Each			
					1	10	25	50
651-1554555	E	SACC-E-M12MS-4CON-PG 9/0,5 VA	4	Flush-type connector, A-Coded, front/screw mounting				
651-1554568	E	SACC-E-M12MS-5CON-PG 9/0,5 VA	5	Panel feed-through connector, A-Coded front/screw mounting				
651-1554649	E	SACC-EC-M12FS-4CON-PG 9/0,5 VA	4	Panel feed through				
651-1554681	E	SACC-DSI-M12M S-5CON-PG9/0,5 VA	5	Sensor/actuator flush-type connector, rear/screw mounting				
651-1699863	E	SACC-E-M12FS-5CON-PG9/0,5 V2A	5	Sensor/actuator flush-type socket, A-Coded				

SOURIAU Sealed Plastic Circular Connectors



RoHS Compliant This product is RoHS compliant.

UTS HI SEAL IP68/IP69K SEALING TRIM TRIO®

Features:

- High density layouts
- Waterproof mated and unmated
- Secure, reliable bayonet coupling
- Solder cup contacts
- Utilizes the trim trio contact system
- MIL-DTL-26482 compatible

Applications:

- Video surveillance
- Parking detection systems
- Lifting equipment
- Meteorological measurement systems

For quantities greater than listed, call for quote.

MOUSER STOCK NO.	Souriau Part No.	Fig.	Shell Size	No. of Contacts	Contact Type	Price Each		
						1	10	25
Cable Plugs with Backshell								
649-UTS6JC8E2P	UTS6JC8E2P	A	8	2	Pin			
649-UTS6JC8E3P	UTS6JC8E3P	A	8	3	Pin			
649-UTS6JC8E4P	UTS6JC8E4P	A	8	4	Pin			
649-UTS6JC12E10P	UTS6JC12E10P	A	12	10	Pin			
649-UTS6JC14E18P	UTS6JC14E18P	A	14	18	Pin			
649-UTS6JC14E19P	UTS6JC14E19P	A	14	19	Pin			
649-UTS6JC12E10S	UTS6JC12E10S	A	12	10	Socket			
649-UTS6JC12E14S	UTS6JC12E14S	A	12	14	Socket			
649-UTS6JC14E19S	UTS6JC14E19S	A	14	19	Socket			
Jam Nut Receptacles								
649-UTS712E10P	UTS712E10P	B	12	10	Pin			
649-UTS714E19P	UTS714E19P	B	14	19	Pin			
Square Flange Receptacles								
649-UTS012E14P	UTS012E14P	C	12	14	Pin			
649-UTS08E2S	UTS08E2S	C	8	2	Socket			
649-UTS08E3S	UTS08E3S	C	8	3	Socket			
649-UTS08E4S	UTS08E4S	C	8	4	Socket			
649-UTS012E10S	UTS012E10S	C	12	10	Socket			
649-UTS014E18S	UTS014E18S	C	14	18	Socket			
649-UTS014E19S	UTS014E19S	C	14	19	Socket			

UTS SERIES WITH IP68/69K SEALING TRIM TRIO®

Specifications:

- Connectors and Backshell Material: Thermoplastic
- ROHS Compliant per Souriau Documentation
- Operating temperature: -40°C to +105°C
- Quick, secure, and reliable bayonet locking system
- UTS Connectors accept TRIM TRIO® removable snap lock contacts
- UV resistant - Suitable for outdoor use
- Contacts ordered separately (see Souriau Contacts and Tooling page)

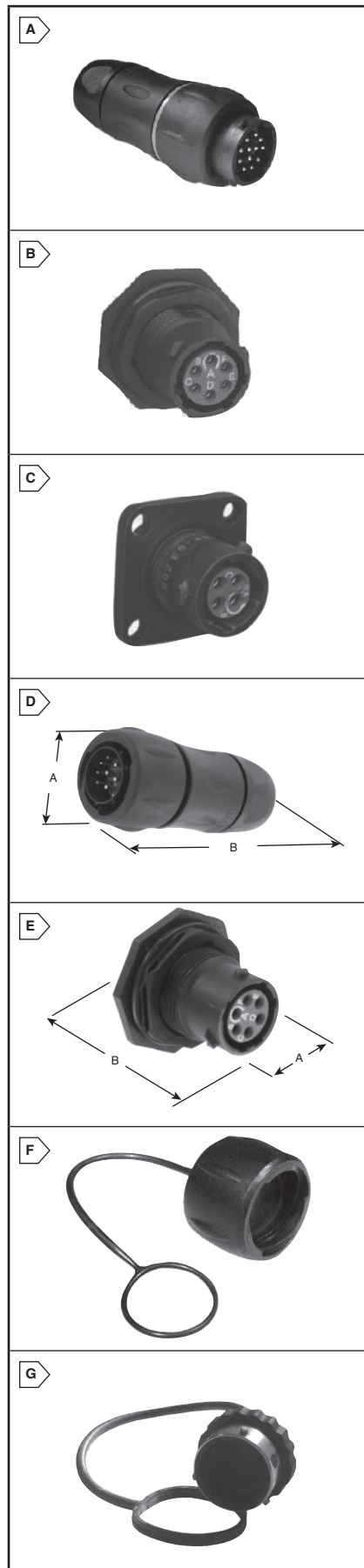
For quantities greater than listed, call for quote.

MOUSER STOCK NO.	Souriau Part No.	Fig.	Shell Size	No. of Contacts	Contact Type	Contact Size	Dimensions: mm		Price Each		
							A	B	1	10	25
Cable Plugs with Backshell for Pin and Socket Contacts											
649-UTS6JC103P	UTS6JC103P	D	10	3	Pin	16	26.2	63.2			
649-UTS6JC104P	UTS6JC104P	D	10	4	Pin	16	26.2	63.2			
649-UTS6JC106P	UTS6JC106P	D	10	6	Pin	20	26.2	63.2			
649-UTS6JC124P	UTS6JC124P	D	12	4	Pin	16	29.7	66.7			
649-UTS6JC128P	UTS6JC128P	D	12	8	Pin	16	29.7	66.7			
649-UTS6JC1210P	UTS6JC1210P	D	12	10	Pin	20	29.7	66.7			
649-UTS6JC147P	UTS6JC147P	D	14	7	Pin	16	34.6	71.5			
649-UTS6JC1412P	UTS6JC1412P	D	14	12	Pin	16	34.6	71.5			
649-UTS6JC1419P	UTS6JC1419P	D	14	19	Pin	20	34.6	71.5			
649-UTS6JC103S	UTS6JC103S	D	10	3	Socket	16	26.2	63.2			
649-UTS6JC104S	UTS6JC104S	D	10	4	Socket	16	26.2	63.2			
649-UTS6JC106S	UTS6JC106S	D	10	6	Socket	20	26.2	63.2			
649-UTS6JC124S	UTS6JC124S	D	12	4	Socket	16	29.7	66.7			
649-UTS6JC128S	UTS6JC128S	D	12	8	Socket	16	29.7	66.7			
649-UTS6JC1210S	UTS6JC1210S	D	12	10	Socket	20	29.7	66.7			
649-UTS6JC147S	UTS6JC147S	D	14	7	Socket	16	34.6	71.5			
649-UTS6JC1412S	UTS6JC1412S	D	14	12	Socket	16	34.6	71.5			
649-UTS6JC1419S	UTS6JC1419S	D	14	19	Socket	20	34.6	71.5			
Jam Nut Receptacles (Panel Version) for Pin and Socket Contacts											
649-UTS7103P	UTS7103P	E	10	3	Pin	16	16.6	33.9			
649-UTS7104P	UTS7104P	E	10	4	Pin	16	16.6	33.9			
649-UTS7106P	UTS7106P	E	10	6	Pin	20	16.6	33.9			
649-UTS7124P	UTS7124P	E	12	4	Pin	16	20.8	33.9			
649-UTS7128P	UTS7128P	E	12	8	Pin	16	20.8	33.9			
649-UTS71210P	UTS71210P	E	12	10	Pin	20	20.8	33.9			
649-UTS7147P	UTS7147P	E	14	7	Pin	16	23.9	33.9			
649-UTS71412P	UTS71412P	E	14	12	Pin	16	23.9	33.9			
649-UTS71419P	UTS71419P	E	14	19	Pin	20	23.9	33.9			
649-UTS7103S	UTS7103S	E	10	3	Socket	16	16.6	33.9			
649-UTS7104S	UTS7104S	E	10	4	Socket	16	16.6	33.9			
649-UTS7106S	UTS7106S	E	10	6	Socket	20	16.6	33.9			
649-UTS7124S	UTS7124S	E	12	4	Socket	16	20.8	33.9			
649-UTS7128S	UTS7128S	E	12	8	Socket	16	20.8	33.9			
649-UTS71210S	UTS71210S	E	12	10	Socket	20	20.8	33.9			
649-UTS7147S	UTS7147S	E	14	7	Socket	16	23.9	33.9			
649-UTS71412S	UTS71412S	E	14	12	Socket	16	23.9	33.9			
649-UTS71419S	UTS71419S	E	14	19	Socket	20	23.9	33.9			

Accessories

For quantities greater than listed, call for quote.

MOUSER STOCK NO.	Souriau Part No.	Fig.	Shell Size	Type	Price Each		
					1	10	25
Receptacle Sealing Caps and Plugs							
649-UTS10DCG	UTS10DCG	F	10	Receptacle			
649-UTS12DCG	UTS12DCG	F	12	Receptacle			
649-UTS14DCG	UTS14DCG	F	14	Receptacle			
649-UTS610DCG	UTS610DCG	G	10	Plug			
649-UTS612DCG	UTS612DCG	G	12	Plug			
649-UTS614DCG	UTS614DCG	G	14	Plug			
Color Coding Rings							
649-UTS710CCRG	UTS710CCRG	-	10	Green			
649-UTS712CCRG	UTS712CCRG	-	12	Green			
649-UTS714CCRG	UTS714CCRG	-	14	Green			
649-UTS710CCRY	UTS710CCRY	-	10	Yellow			
649-UTS712CCRY	UTS712CCRY	-	12	Yellow			
649-UTS714CCRY	UTS714CCRY	-	14	Yellow			
649-UTS710CCRR	UTS710CCRR	-	10	Red			
649-UTS712CCRR	UTS712CCRR	-	12	Red			



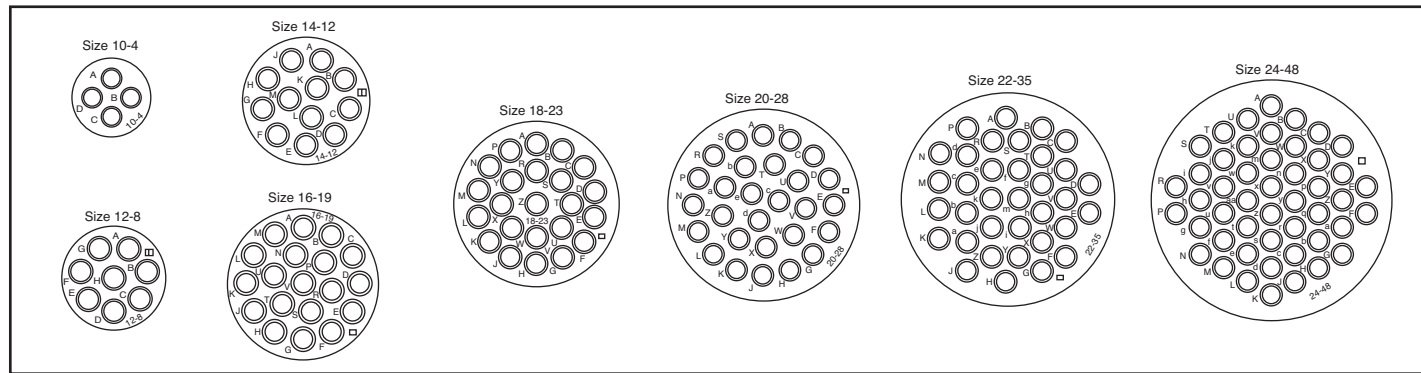
Circular Connectors Souriau

SOURIAU Circular Connectors

RoHS Compliant This product is RoHS compliant.



TRIM TRIO™ INSERT ARRANGEMENTS



UTG SERIES CIRCULAR CONNECTORS TRIM TRIO™

Plastic Circular Trim Trio™ Connectors with Metal Coupling System
"UTG" Metalok Bantam plastic industrial circular connectors with metal coupling are a range of multiway connectors to provide the complete answer to the need for light weight, robust circular connectors.

Features:

- Accepts TRIM-TRIO removeable snap lock contacts; sold separately
- UL approved-file Nr.: E31151
- Metal bayonet ring:
 - Metal wave spring loaded
 - Locks with audible positive "click"
 - Assures 500 matings and unmatings

Materials:

- Body: Glass filled thermoplastic UL94V-0
- Color: Black
- Coupling Ring: Nickel plated brass
- Tri-locking pins: Stainless steel
- Coupling spring: Spring steel

Specifications:

- IP Degree: IP67
- Operating temperature: -55°C to +125°C
- Test potential: 2000VAC
- Durability: 500 matings and unmatings

Cable Plugs (for Pin Contacts)

For quantities greater than listed, call for quote.

MOUSER STOCK NO.	Souriau Part No.	Fig.	Shell Size	No. of Contacts	Dimensions: mm		Price Each		
					A	B	1	10	25
649-UTG6104PN	UTG610-4PN	A	10	4	21.6	31.8			
649-UTG612-8PN	UTG612-8PN	A	12	8	24.8	31.8			
649-UTG61412PN	UTG614-12PN	A	14	12	28.0	31.8			
649-UTG616-19PN	UTG616-19PN	A	16	19	31.2	31.8			
649-UTG618-23PN	UTG618-23PN	A	18	23	34.3	31.8			
649-UTG620-28PN	UTG620-28PN	A	20	28	27.5	31.8			
649-UTG622-35PN	UTG622-35PN	A	22	35	40.7	31.8			
649-UTG624-48PN	UTG624-48PN	A	24	48	43.9	31.8			

Cable Plugs (for Socket Contacts)

MOUSER STOCK NO.	Souriau Part No.	Fig.	Shell Size	No. of Contacts	A	B	1	10	25
649-UTG610-4SN	UTG610-4SN	B	10	4	21.6	23.9			
649-UTG612-8SN	UTG612-8SN	B	12	8	24.8	23.9			
649-UTG614-12SN	UTG614-12SN	B	14	12	28.0	23.9			
649-UTG616-19SN	UTG616-19SN	B	16	19	31.2	23.9			
649-UTG618-23SN	UTG618-23SN	B	18	23	34.3	23.9			
649-UTG620-28SN	UTG620-28SN	B	20	28	37.5	24.9			
649-UTG622-35SN	UTG622-35SN	B	22	35	40.7	24.9			

Wall-Mounting Receptacles (for Pin Contacts)

MOUSER STOCK NO.	Souriau Part No.	Fig.	Shell Size	No. of Contacts	A	B	1	10	25
649-UTG010-4P	UTG010-4P	C	10	4	23.8	31.7			
649-UTG012-8P	UTG012-8P	C	12	8	26.2	31.7			
649-UTG014-12P	UTG014-12P	C	14	12	28.6	31.7			
649-UTG016-19P	UTG016-19P	C	16	19	31.0	31.7			
649-UTG018-23P	UTG018-23P	C	18	23	33.3	31.7			
649-UTG020-28P	UTG020-28P	C	20	28	36.5	33.3			
649-UTG022-35P	UTG022-35P	C	22	35	39.7	33.1			
649-UTG024-48P	UTG024-48P	C	24	48	42.9	33.3			

Wall-Mounting Receptacles (for Socket Contacts)

MOUSER STOCK NO.	Souriau Part No.	Fig.	Shell Size	No. of Contacts	A	B	1	10	25
649-UTG010-4S	UTG010-4S	D	10	4	23.8	24.3			
649-UTG012-8S	UTG012-8S	D	12	8	26.2	24.3			
649-UTG014-12S	UTG014-12S	D	14	12	28.6	24.3			
649-UTG016-19S	UTG016-19S	D	16	19	31.0	24.3			
649-UTG018-23S	UTG018-23S	D	18	23	33.3	24.3			
649-UTG020-28S	UTG020-28S	D	20	28	36.5	27.0			
649-UTG024-48S	UTG024-48S	D	24	48	42.9	30.4			

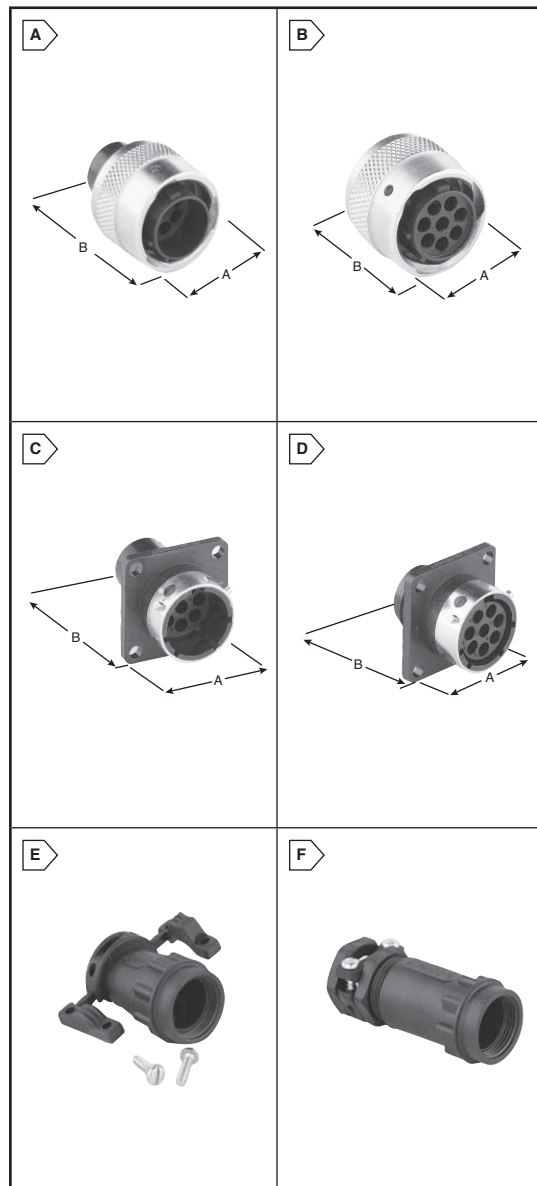
Plastic Cable Clamp with Strain Relief

For quantities greater than listed, call for quote.

MOUSER STOCK NO.	Souriau Part No.	Fig.	Shell Size	Price Each		
				1	10	25
649-UTG10AC	UTG10AC	E	10			
649-UTG12AC	UTG12AC	E	12			
649-UTG14AC	UTG14AC	E	14			
649-UTG16AC	UTG16AC	E	16			
649-UTG18AC	UTG18AC	E	18			
649-UTG20AC	UTG20AC	E	20			
649-UTG22AC	UTG22AC	E	22			
649-UTG24AC	UTG24AC	E	24			

Plastic Cable Clamp with Strain Relief Nut for Waterprotected Applications

MOUSER STOCK NO.	Souriau Part No.	Fig.	Shell Size	1	10	25
649-UTG10PG	UTG10PG	F	10			
649-UTG12PG	UTG12PG	F	12			
649-UTG14PG	UTG14PG	F	14			
649-UTG16PG	UTG16PG	F	16			
649-UTG18PG	UTG18PG	F	18			
649-UTG20PG	UTG20PG	F	20			
649-UTG22PG	UTG22PG	F	22			
649-UTG24PG	UTG24PG	F	24			



SOURIAU Circular Connectors



RoHS Compliant This product is RoHS compliant.

UTP SERIES FULL PLASTIC CIRCULAR CONNECTORS TRIM TRIO™

Features:

- All plastic circular connector with excellent impact and shock resistance
- Lightweight and economical
- Secure and reliable bayonet coupling system
- RoHS Compliant per Souriau documentation

Specifications:

- Operating temp: -55°C to +105°C
- 250 mating cycles
- IP68/IP69K

For quantities greater than listed, call for quote.

MOUSER STOCK NO.	Souriau Part No.	Fig.	Shell Size	No. of Contacts	Price Each			
					1	10	25	50
Cable Plugs for Pin Contacts								
649-UTP610-4P	UTP6104P	A	10	4				
649-UTP612-8P	UTP6128P	A	12	8				
649-UTP614-12P	UTP61412P	A	14	12				
649-UTP616-19P	UTP61619P	A	16	19				
649-UTP620-28P	UTP62028P	A	20	28				
649-UTP622-35P	UTP62235P	A	22	35				
649-UTP624-48P	UTP62448P	A	24	48				
Cable Plugs for Socket Contacts								
649-UTP610-4S	UTP6104S	B	10	4				
649-UTP614-12S	UTP61412S	B	14	12				
649-UTP616-19S	UTP61619S	B	16	19				
649-UTP620-28S	UTP62028S	B	20	28				
649-UTP622-35S	UTP62235S	B	22	35				
649-UTP624-48S	UTP62448S	B	24	48				
Wall Mounting Receptacles for Pin Contacts								
649-UTP010-4P	UTP0104P	C	10	4				
649-UTP014-12P	UTP01412P	C	14	12				
649-UTP016-19P	UTP01619P	C	16	19				
649-UTP020-28P	UTP02028P	C	20	28				
649-UTP022-35P	UTP02235P	C	22	35				
Wall Mounting Receptacles for Socket Contacts								
649-UTP010-4S	UTP0104S	D	10	4				
649-UTP012-8S	UTP0128S	D	12	8				
649-UTP014-12S	UTP01412S	D	14	12				
649-UTP020-28S	UTP02028S	D	20	28				
649-UTP022-35S	UTP02235S	D	22	35				

MBG SERIES 5000-CYCLE BLINDMATE PLASTIC CONNECTORS TRIM TRIO™

Specifications:

- 5000 mating cycles using standard contacts
- Quick release latching system simplifies disconnect
- Polarizing shape facilitates blindmating
- Standard version with male contacts in receptacle
- Operating temp: -55°C to +105°C
- Insulation resistance: 5000MΩ min

For quantities greater than listed, call for quote.

MOUSER STOCK NO.	Souriau Part No.	Fig.	No. of Contacts	Price Each		
				1	25	50
Plugs						
649-MBG4P1	MBG4P1	E	4			
649-MBG12P1	MBG12P1	E	12			
649-MBG19P1	MBG19P1	E	19			
Receptacles						
649-MBG4R1	MBG4R1	F	4			
649-MBG12R1	MBG12R1	F	12			
649-MBG19R1	MBG19R1	F	19			
Strain Reliefs						
649-MBG4S1	MBG4S1	G	4			
649-MBG12S1	MBG12S1	G	12			
649-MBG19S1	MBG19S1	G	19			

UTG POWER SERIES MIXED POWER AND SIGNAL CONNECTORS TRIM TRIO™

- Up to 44 amps
- Mixed Power and Signal version of the UTG series
- Metalok Bantam plastic industrial circular connectors with metal coupling
- Coupling ring: Nickel plated brass
- Connector body Glass filled thermoplast UL94-V0

- Flammability rating: UL94-V0
- Durability: 500 matings and unmatings
- Locks with audible positive "click"
- See Souriau Contacts and Tooling page for more Trim Trio Contacts

* Free Hanging Receptacle

For quantities greater than listed, call for quote.

MOUSER STOCK NO.	Souriau Part No.	Fig.	Insert Arrangement	Type of Contacts	Price Each			
					1	10	25	50
Wall Mount Receptacles								
649-UTG0148P24PHVDE	UTG0148P24PHVDE	H	14-8	Pin				
649-UTG0187PHVDE34	UTG0187PHVDE34	H	18-7	Pin				
649-UTG0123SH	UTG0123SH	I	12-3	Socket				
* 649-UTG1103W3S	UTG1103W3S	J	10-3W3	Socket				
Cable Plugs								
649-UTG6148P24SNVDE	UTG6148P24SNVDE	K	14-8	Socket				
649-UTG6123PN	UTG6123PN	L	12-3	Pin				
649-UTG6187SNVDE34	UTG6187SNVDE34	K	18-7	Socket				

TRIM TRIO™ POWER CONTACTS

- Machined power contacts provide maximum performance
- Contact Body: High conductive copper alloy
- Outer Spring: Tempered, heat treated, nonplated beryllium copper

† .30-.50 μin Gold Ni Plating
*0.4m Gold mini all over, over Nickel

For quantities greater than listed, call for quote.

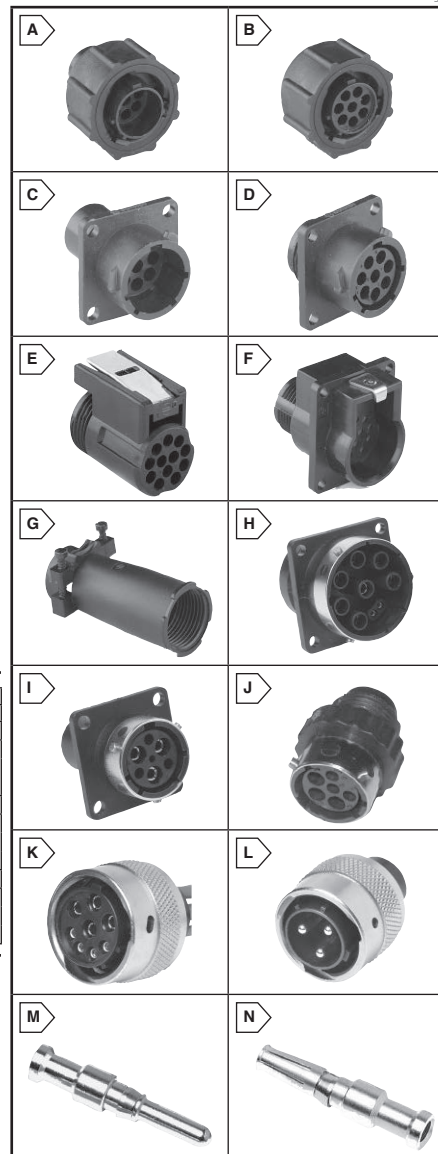
MOUSER STOCK NO.	Souriau Part No.	Fig.	Contact Size	Current Rating	AWG	Price Each			
						1	10	25	50
Pins									
* 649-82911437NK	82911437NK	M	12	26A	20				
* 649-82911463NK	82911463NK	M	12	26A	16				
* 649-82911465NK	82911465NK	M	12	26A	14				
† 649-RM12242D28	RM12242D28	M	12	26A	12				
649-82911683N	82911683N	M	8	44A	10				
649-82911685N	82911685N	M	8	44A	8				
Sockets									
* 649-82911462K	82911462K	N	12	26A	16				
* 649-82911464K	82911464K	N	12	26A	14				

TRIM TRIO™ INLINE SPLICE

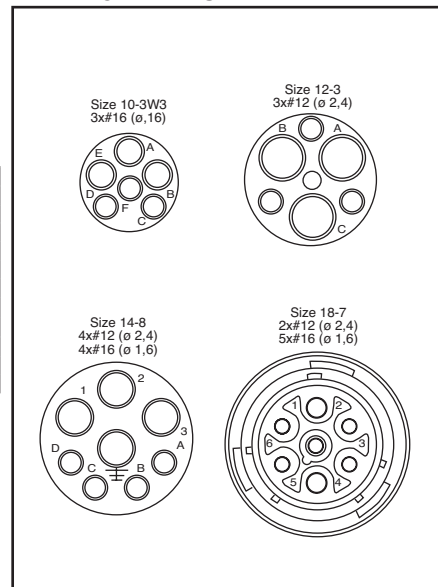
- Single position, quick disconnect system for individual wires
- Accommodates any size 16 Trim Trio™ contact
- Locks w/audible positive "click"
- Disconnect force: 3-11 lbs
- Ideal for individual wire installation and repairs
- Coaxial cable types: RG161, RG179, RG187, RG174, RG188, RG178, RG196, RG188, RG178, and RG196
- Especially suited for coaxial cable connections, eliminating bulky connectors while maintaining coaxial signal integrity

For quantities greater than listed, call for quote.

MOUSER STOCK NO.	Souriau Part No.	Description	Price Each			
			1	10	25	50
649-RSCDEX-5	RSCDEX-5	Plug Inline Splice				



MIXED POWER AND SIGNAL INSERT ARRANGEMENTS



SOURIAU Contacts and Tooling



This product is RoHS compliant.

TRIM TRIO™ FORMED CONTACTS

Contacts are two piece formed crimp snap-in pin and sockets. Any TRIM TRIO™ contact can be used in any contact position in any connector in the TRIM TRIO™ interconnection system.

Features:

- Made from high conductive copper alloy with gold or tin over nickel plate finish
- Two piece construction with dual purpose spring which serves for contact retention and protects the body against damage
- Suitable for high volumes and lower installation cost

Specifications:

- Size 16 - 1.6mm(.063") diameter
- Size 20 - 1.0mm(.040") diameter
- Contact body: High conductive copper alloy
- Outer spring: Stainless steel
- Size 16 - Current rating: 13A
- Size 20 - Current rating: 5A

Formed Pin Contacts

For quantities greater than listed, call for quote.

MOUSER STOCK NO.	Souriau Part No.	Fig.	Contact Size	Wire Size	Plating	Insulation Diameter (mm)	Price Each		
							1	10	25
649-SM20WL-3S26	SM20WL-3S26	A	20	22-20AWG	75µ" Gold	1.17-2.08			
649-SM24WL-3S26	SM24WL-3S26	A	20	26-24AWG	75µ" Gold	.89-1.58			
649-SM16ML1S6	SM16ML1S6	A	16	18-16AWG	75µ" Gold	3.0			
649-SM20ML1S6	SM20ML1S6	A	16	22-20AWG	75µ" Gold	1.17-2.08			
649-SM16ML-1D70	SM16ML-1D70	A	16	18-16AWG	Gold Flash	3.0			
649-SM20ML-1D70	SM20ML-1D70	A	16	22-20AWG	Gold Flash	1.17-2.08			
649-SM14ML-1TK6	SM14ML-1TK6	A	16	14AWG	Tin	3.2			
649-SM16ML-1TK6	SM16ML-1TK6	A	16	18-16AWG	Tin	3.0			
649-SM20ML-1TK6	SM20ML-1TK6	A	16	22-20AWG	Tin	1.17-2.08			
649-SM24ML-1TK6	SM24ML-1TK6	A	16	26-24AWG	Tin	.89-1.58			

Formed Socket Contacts

MOUSER STOCK NO.	Souriau Part No.	Fig.	Contact Size	Wire Size	Plating	Insulation Diameter (mm)	Price Each		
							1	10	25
649-SC20WL-3S25	SC20WL-3S25	B	20	22-20AWG	75µ" Gold	1.17-2.08			
649-SC24WL-3S25	SC24WL-3S25	B	20	26-24AWG	75µ" Gold	.89-1.58			
649-SC14ML1S6	SC14ML1S6	B	16	14AWG	75µ" Gold	3.2			
649-SC16ML1S6	SC16ML1S6	B	16	18-16AWG	75µ" Gold	3.0			
649-SC20ML1S6	SC20ML1S6	B	16	22-20AWG	75µ" Gold	1.17-2.08			
649-SC24ML1S6	SC24ML1S6	B	16	26-24AWG	75µ" Gold	.89-1.58			
649-SC16ML1D70	SC16ML1D70	B	16	18-16AWG	Gold Flash	3.0			
649-SC20ML1D70	SC20ML1D70	B	16	22-20AWG	Gold Flash	1.17-2.08			
649-SC16ML1TK6	SC16ML1TK6	B	16	18-16AWG	Tin	3.0			
649-SC20ML1TK6	SC20ML1TK6	B	16	22-20AWG	Tin	1.17-2.08			
649-SC24ML1TK6	SC24ML1TK6	B	16	26-24AWG	Tin	.89-1.58			

TRIM TRIO™ SIZE 16 MACHINED CONTACTS

Features:

- Made from high conductive copper alloy with gold over nickel plate finish
- Any TRIM TRIO™ contact can be used in any contact position in any connector in the TRIM TRIO™ interconnection system
- Heat-treated beryllium copper locking springs assure proper locking and alignment of contacts in the housing
- Closed entry design on RC socket contact to prevent probe damage

Specifications:

- Contact body: High conductive copper alloy
- Outer spring: Tempered, heat-treated, beryllium copper
- Inner spring socket: Tempered, heat-treated, plated beryllium copper
- Current rating: 13A

Machined Pin Contacts

For quantities greater than listed, call for quote.

MOUSER STOCK NO.	Souriau Part No.	Fig.	Wire Size	Plating	Maximum Wire Dia. (mm)	Maximum Insulation Dia. (mm)	Price Each		
							1	10	25
649-RM20M12D28	RM20M12D28	A	22-20AWG	30µ" Gold	1.18	2.2			
649-RM16M23D28	RM16M23D28	A	20-16AWG	30µ" Gold	1.8	3.2			
649-SM24ML-1TK6	SM24ML-1TK6	A	16	26-24AWG	Tin	.89-1.58			

Machined Socket Contacts

MOUSER STOCK NO.	Souriau Part No.	Fig.	Wire Size	Plating	Maximum Wire Dia. (mm)	Maximum Insulation Dia. (mm)	Price Each		
							1	10	25
649-RC28M1D28	RC28M1D28	B	30-28AWG	30µ" Gold	0.55	1.1			
649-RC24M9D28	RC24M9D28	B	26-24AWG	30µ" Gold	0.8	1.6			
649-RC20M12D28	RC20M12D28	B	22-20AWG	30µ" Gold	1.18	2.2			
649-RC16M23D28	RC16M23D28	B	20-16AWG	30µ" Gold	1.8	3.2			

TRIM TRIO™ SIZE 16 MONOCRIMP SUBMINIATURE COAXIAL CONTACTS

One Piece Contacts for Subminiature Coaxial Cables

Features:

- The monocrimp one-piece coaxial contacts offer reliability plus the economic advantage of a 95% reduction in installation time over conventional assembly methods
- Any TRIM TRIO™ contact can be used in any contact position in any connector in the TRIM TRIO™ interconnection system

Materials:

- Inner and outer contacts: Brass
- Retaining spring: Beryllium copper
- Insulating bushing: Nylon

Plating:

- Retaining spring plating: Nickel plated
- Inner and outer contacts: 0.75µ" Gold min. over Nickel

Specifications:

- Operating temperature: -55°C + 125°C
- Isolation @ 30MHz: 140db

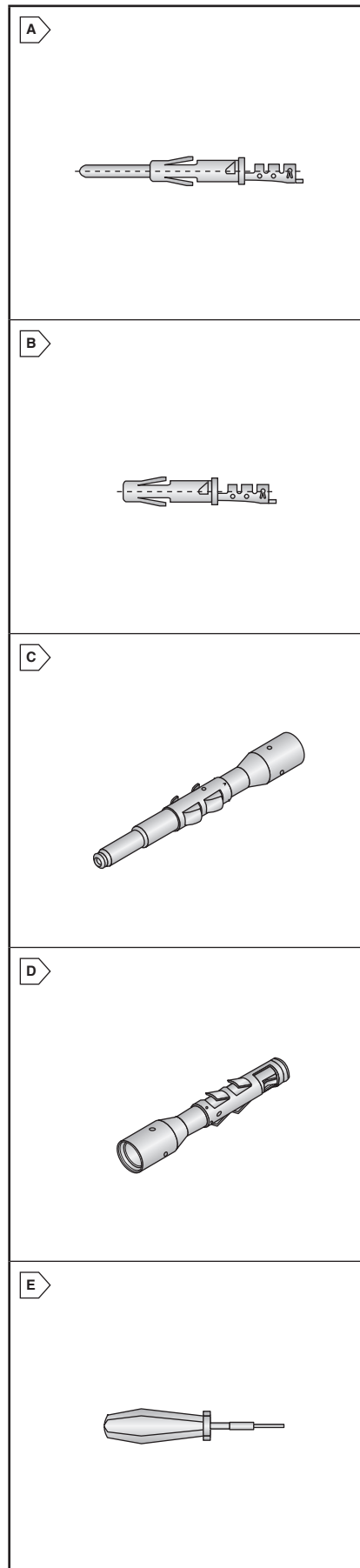
For quantities greater than listed, call for quote.

MOUSER STOCK NO.	Souriau Part No.	Fig.	Gender	Wire Size	Cable Type	Price Each		
						1	10	25
649-RMDX6032D28	RM20M12D28	C	Male	28	RG174/U			
649-RMDX60-36D28	RM16M23D28	C	Male	26	RG188/U			
649-RCDX6016D28	SM24ML-1TK6	D	Female	30	RG178B/U			

TOOLING

For quantities greater than listed, call for quote.

MOUSER STOCK NO.	Souriau Part No.	Fig.	Description	Price Each
649-RX2025GE1	RX2025GE1	E	Extraction tool	



Souriau Circular Connectors

SOURIAU JBX Miniature Push-Pull Connectors

RoHS Compliant This product is RoHS compliant.



JBX MINIATURE PUSH-PULL CONNECTORS

Designed to provide quick, reliable, high density interconnections of wire and cable.

Features:

- Mechanically keyed to ensure correct polarization and alignment
- High contact density in a small space
- Contact termination in crimp or solder contacts
- Removable contacts
- Fully compatible and interchangeable with Lemo's B series

Specifications:

- Shell Material: Brass
- Socket Contact Material: Cupro-nickel
- Socket Plating Material: Gold
- Pin Contact Material: Brass
- Pin Plating Material: Gold
- Insulator Material: Fortron
- Shielded from 55dB up to 100MHz
- Endurance: >1000 cycles per MIL-STD1344AD
- Temperature Range: -50°C; +125°C
- Protection Index: IP40

Straight Cable Plug

Shell Size	Dimensions: mm (in.)		
	A	B	øC
0	39 (1.536)	29 (1.142)	10 (.394)
1	45 (1.773)	34 (1.339)	12 (.472)
2	52 (2.048)	40 (1.576)	15 (.591)

Fixed Panel Receptacle

Shell Size	Dimensions: mm (in.)			
	A	B	øC	øD
0	19 (.748)	8 (.315)	1.2 (.047)	10 (.394)
1	21 (.827)	10 (.394)	1.5 (.059)	14 (.551)
2	24 (.945)	10 (.394)	1.8 (.070)	18 (.709)

Cable Plug Solder Contacts

Panel Receptacles Solder Contacts

For quantities greater than listed, call for quote.

Shell Size	No. of Contacts	ø Contact	Wire Size	Current Rating	MOUSER STOCK NO.	Souriau Part No.	Price Each			MOUSER STOCK NO.	Souriau Part No.	Price Each		
							1	10	25			1	10	25
0	2	0.9	24	10.0A	649-JBXFD0G02MSSDSR	JBXFD0G02MSSDSR				649-JBXER0G02FSSDSR	JBXER0G02FSSDSR			
0	3	0.9	24	8.0A	649-JBXFD0G03MSSDSR	JBXFD0G03MSSDSR				649-JBXER0G03FSSDSR	JBXER0G03FSSDSR			
0	4	0.7	26	7.0A	649-JBXFD0G04MSSDSR	JBXFD0G04MSSDSR				649-JBXER0G04FSSDSR	JBXER0G04FSSDSR			
0	5	0.7	26	6.5A	649-JBXFD0G05MSSDSR	JBXFD0G05MSSDSR				649-JBXER0G05FSSDSR	JBXER0G05FSSDSR			
1	3	1.3	20	12.0A	649-JBXFD1G03MSSDSR	JBXFD1G03MSSDSR				649-JBXER1G03FSSDSR	JBXER1G03FSSDSR			
1	4	0.9	24	10.0A	649-JBXFD1G04MSSDSR	JBXFD1G04MSSDSR				649-JBXER1G04FSSDSR	JBXER1G04FSSDSR			
1	5	0.9	24	9.0A	649-JBXFD1G05MSSDSR	JBXFD1G05MSSDSR				649-JBXER1G05FSSDSR	JBXER1G05FSSDSR			
1	6	0.7	26	7.0A	649-JBXFD1G06MSSDSR	JBXFD1G06MSSDSR				649-JBXER1G06FSSDSR	JBXER1G06FSSDSR			
1	7	0.7	26	7.0A	649-JBXFD1G07MSSDSR	JBXFD1G07MSSDSR				649-JBXER1G07FSSDSR	JBXER1G07FSSDSR			
1	8	0.7	26	7.0A	649-JBXFD1G08MSSDSR	JBXFD1G08MSSDSR				649-JBXER1G08FSSDSR	JBXER1G08FSSDSR			
2	5	1.3	20	14.0A	649-JBXFD2G05MSSDSR	JBXFD2G05MSSDSR				649-JBXER2G05FSSDSR	JBXER2G05FSSDSR			
2	7	1.3	20	11.0A	649-JBXFD2G07MSSDSR	JBXFD2G07MSSDSR				-----	-----	-	-	-
2	10	0.9	24	8.0A	649-JBXFD2G10MSSDSR	JBXFD2G10MSSDSR				649-JBXER2G10FSSDSR	JBXER2G10FSSDSR			
2	12	0.7	26	7.0A	649-JBXFD2G12MSSDSR	JBXFD2G12MSSDSR				649-JBXER2G12FSSDSR	JBXER2G12FSSDSR			
2	16	0.7	26	6.0A	649-JBXFD2G16MSSDSR	JBXFD2G16MSSDSR				649-JBXER2G16FSSDSR	JBXER2G16FSSDSR			

Cable Plug Crimp Contacts

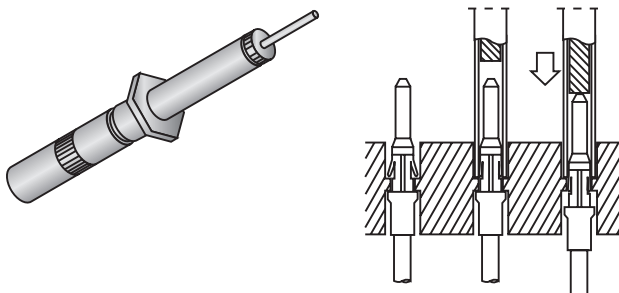
Panel Receptacles Crimp Contacts

For quantities greater than listed, call for quote.

Shell Size	No. of Contacts	ø Contact	Wire Size	Current Rating	MOUSER STOCK NO.	Souriau Part No.	Price Each			MOUSER STOCK NO.	Souriau Part No.	Price Each		
							1	10	25			1	10	25
0	2	0.9	20	10.0A	649-JBXFD0G02MCSDSR	JBXFD0G02MCSDSR				649-JBXER0G02FCSDSR	JBXER0G02FCSDSR			
0	3	0.9	20	8.0A	649-JBXFD0G03MCSDSR	JBXFD0G03MCSDSR				649-JBXER0G03FCSDSR	JBXER0G03FCSDSR			
0	4	0.7	22	7.0A	649-JBXFD0G04MCSDSR	JBXFD0G04MCSDSR				649-JBXER0G04FCSDSR	JBXER0G04FCSDSR			
0	5	0.7	22	6.5A	649-JBXFD0G05MCSDSR	JBXFD0G05MCSDSR				649-JBXER0G05FCSDSR	JBXER0G05FCSDSR			
1	3	1.3	18	12.0A	649-JBXFD1G03MCSDSR	JBXFD1G03MCSDSR				649-JBXER1G03FCSDSR	JBXER1G03FCSDSR			
1	4	0.9	20	10.0A	649-JBXFD1G04MCSDSR	JBXFD1G04MCSDSR				649-JBXER1G04FCSDSR	JBXER1G04FCSDSR			
1	5	0.9	20	9.0A	-----	-----	-	-	-	649-JBXER1G05FCSDSR	JBXER1G05FCSDSR			
1	6	0.7	22	7.0A	649-JBXFD1G06MCSDSR	JBXFD1G06MCSDSR				649-JBXER1G06FCSDSR	JBXER1G06FCSDSR			
1	7	0.7	22	7.0A	-----	-----	-	-	-	649-JBXER1G07FCSDSR	JBXER1G07FCSDSR			
2	10	0.9	20	8.0A	649-JBXFD2G10MCSDSR	JBXFD2G10MCSDSR				649-JBXER2G10FCSDSR	JBXER2G10FCSDSR			
2	12	0.7	22	7.0A	649-JBXFD2G12MCSDSR	JBXFD2G12MCSDSR				649-JBXER2G12FCSDSR	JBXER2G12FCSDSR			

MANUAL EXTRACTION TOOLS

Contacts automatically extracted without pulling on the cable.

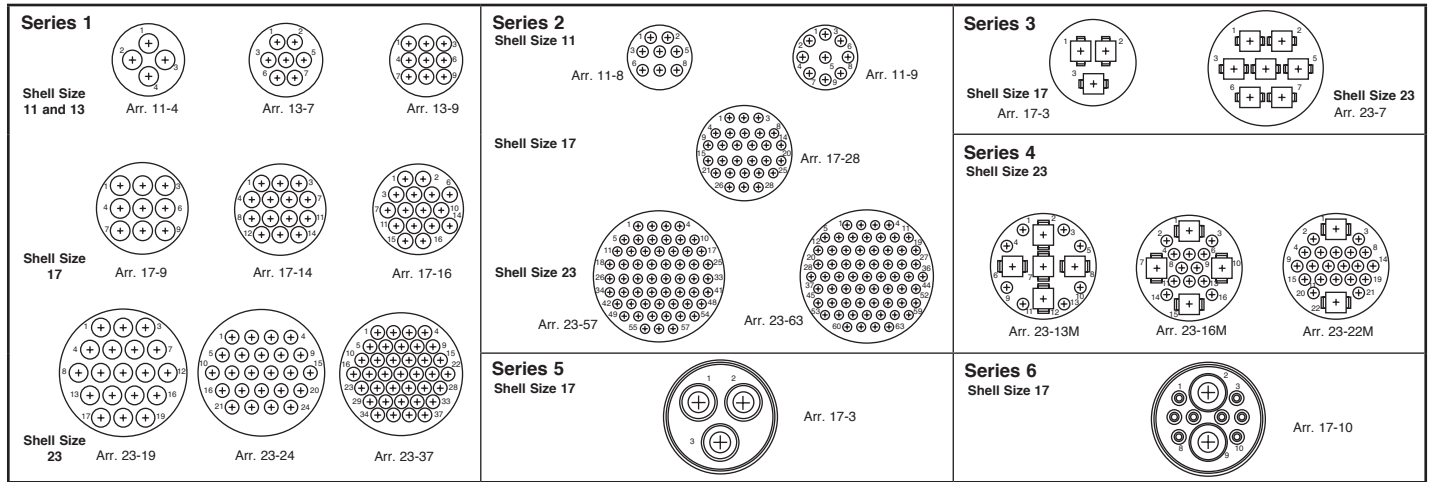


For quantities greater than listed, call for quote.

MOUSER STOCK NO.	Souriau Part No.	Shell Size	ø Contact	Price Each
649-JBXOUTDC07	JBXOUTDC07	0, 1, 2	0.7	
649-JBXOUTDC09	JBXOUTDC09	0, 1, 2	0.9	
649-JBXOUTDC13	JBXOUTDC13	0, 1, 2	1.3	

TE CONNECTIVITY CPC Connectors (SERIES 1)

CPC CONTACT ARRANGEMENTS



"SERIES 1" (SIZE 16 CONTACTS)

Standard density, signal and low-current applications using Multimatte contacts.

Features:

- Housing Material: Black thermoplastic
- Flammability rating: UL94V-0
- .062" pin diameter

Connectors:

- Molded-in keying: standard configuration: 5 keys
- Sealed connectors are with pre-installed, bonded peripheral seal, two piece

- * **STD. Gender=** Pin contacts in receptacle housings, socket contacts in plug housings
 * **REV. Gender=** Socket contacts in receptacle housings, pin contacts in plug housings
Pins and sockets must be ordered separately.

Contacts:

- Plating:
- Bright tin
 - Gold flash over nickel with additional gold on mating end
 - Nickel with gold on mating end
 - Gold gradient over nickel with additional gold on mating end

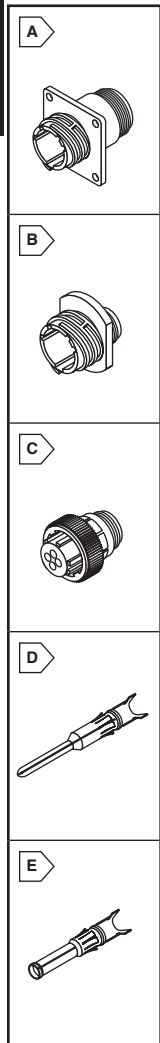


RoHS Compliant



RoHS Compliant

TE Connectivity Circular Connectors



MOUSER STOCK NO.	TE Part No.	Fig.	Shell Size	No. of Contacts	With Seal	Price Each		
						1	25	50
Standard Sex Square Flange Receptacles - With Mounting Holes								
* 571-2060611	206061-1	A	11	4	No			
* 571-2114011	211401-1	A	13	7	No			
* 571-2067051	206705-1	A	13	9	No			
* 571-2067053	206705-3	A	13	9	Yes			
* 571-2117671	211767-1	A	17	9	No			
* 571-2060364	206036-4	A	17	16	Yes			
* 571-2060361	206036-1	A	17	16	No			
* 571-2117711	211771-1	A	23	19	No			
* 571-2068381	206838-1	A	23	24	No			
* 571-2068383	206838-3	A	23	24	Yes			
* 571-2061511	206151-1	A	23	37	No			
Standard Sex Free-Hanging Receptacles (For Pin Contacts)								
* 571-2061531	206153-1	B	11	4	No			
* 571-2067052	206705-2	B	13	9	No			
* 571-2067054	206705-4	B	13	9	Yes			
* 571-2060363	206036-3	B	17	16	No			
* 571-2060365	206036-5	B	17	16	Yes			
* 571-2068382	206838-2	B	23	24	No			
* 571-2068384	206838-4	B	23	24	Yes			
* 571-2061512	206151-2	B	23	37	No			
Standard Sex Plugs (For Socket Contacts)								
* 571-2060601	206060-1	C	11	4	No			
* 571-2113991	211399-1	C	13	7	No			
* 571-2067081	206708-1	C	13	9	No			
* 571-2117661	211766-1	C	17	9	No			
* 571-2060371	206037-1	C	17	16	No			
* 571-2117702	211770-2	C	23	19	No			
* 571-2068371	206837-1	C	23	24	No			
* 571-2061501	206150-1	C	23	37	No			

* VDE Tested



RoHS Compliant

Reverse Sex Connectors

MOUSER STOCK NO.	TE Part No.	Fig.	Shell Size	No. of Contacts	With Seal	Price Each		
						1	25	50
Reverse Sex Square Flange Receptacles - With Mounting Holes								
* 571-206430-1	206430-1	A	11	4	No			
* 571-2064303	206430-3	A	11	4	Yes			
* 571-2113981	211398-1	A	13	7	No			
* 571-2117691	211769-1	A	17	9	No			
* 571-206043-1	206043-1	A	17	14	No			
* 571-2060434	206043-4	A	17	14	Yes			
* 571-2117731	211773-1	A	23	19	No			
* 571-2063061	206306-1	A	23	37	No			
Reverse Sex Free-Hanging Receptacles (For Socket Contacts)								
* 571-2064302	206430-2	B	11	4	No			
* 571-2060433	206043-3	B	17	14	No			
* 571-2063062	206306-2	B	23	37	No			
Reverse Sex Plugs (For Pin Contacts)								
* 571-206429-1	206429-1	C	11	4	No			
* 571-2114001	211400-1	C	13	7	No			
* 571-211768-1	211768-1	C	17	9	No			
* 571-206044-1	206044-1	C	17	14	No			
* 571-2117721	211772-1	C	23	19	No			
* 571-206305-1	206305-1	C	23	37	No			

* VDE Tested

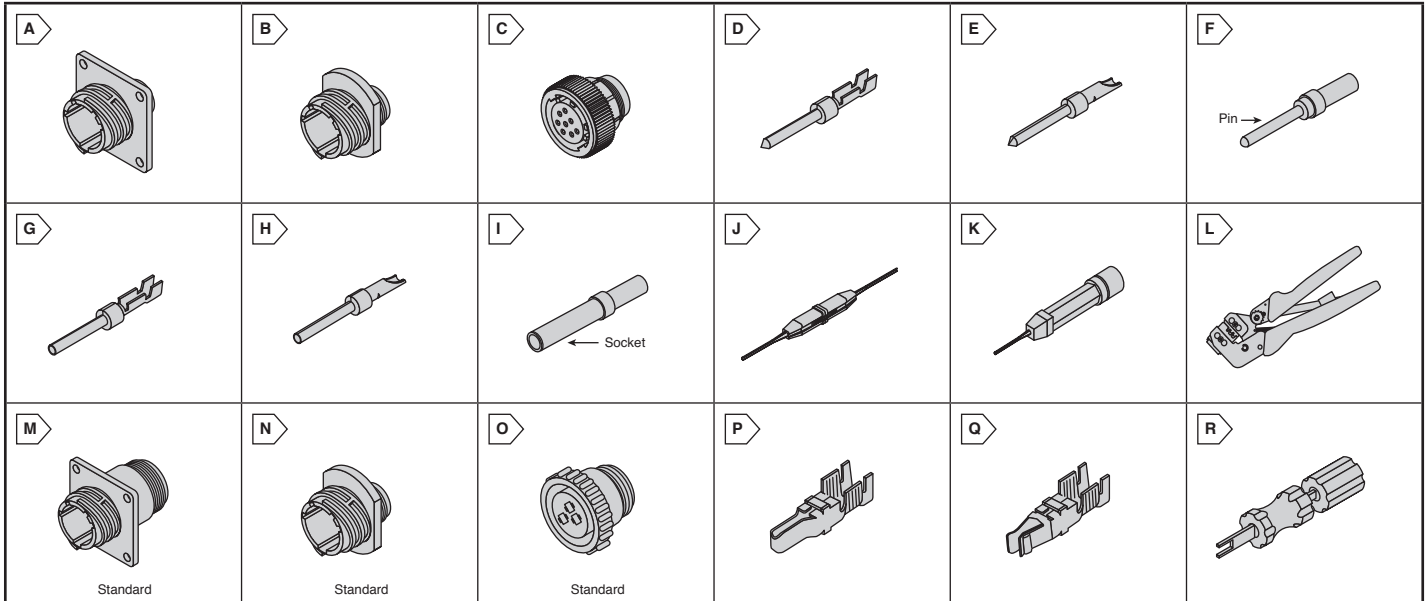
MOUSER STOCK NO.	TE Part No.	Fig.	Wire Size AWG	Wire Insulation Range (In.)	Plating	Price Each		
						1	100	1000
Pin Contacts								
* 571-1-66107-1	1-66107-1	D	26-24	.035 - .055	a			
* 571-661074	66107-4	D	26-24	.035 - .055	b			
* 571-1-66103-8	1-66103-8	D	24-20	.040 - .080	a			
* 571-66103-4	66103-4	D	24-20	.040 - .080	b			
* 571-661033	66103-3	D	24-20	.040 - .080	c			
* 571-665664	66566-4	D	24-20	.060 - .120	b			
* 571-1-66400-0	1-66400-0	D	24-20	.080 - .100	a			
* 571-664004	66400-4	D	24-20	.080 - .100	b			
* 571-665911	66591-1	D	22-18	.055 - .110	a			
* 571-665891	66589-1	D	18-16	.080 - .100	a			
* 571-1-66099-5	1-66099-5	D	18-16	.080 - .100	a			
* 571-66099-4	66099-4	D	18-16	.080 - .100	b			
* 571-66099-3	66099-3	D	18-16	.080 - .100	c			
* 571-66099-1	66099-1	D	18-16	.080 - .100	d			
* 571-1-66361-2	1-66361-2	D	18-14	.080 - .100	a			
* 571-663614	66361-4	D	18-14	.080 - .100	b			
* 571-66602-8	66602-8	D	18-14	.110 - .150	a			
* 571-66602-2	66602-2	D	18-14	.110 - .150	b			
* 571-202236-6	202236-6	D	Solder Tab	----	a			
Socket Contacts								
* 571-1-66109-7	1-66109-7	E	26-24	.035 - .055	a			
* 571-661094	66109-4	E	26-24	.035 - .055	b			
* 571-1-66105-9	1-66105-9	E	24-20	.040 - .080	a			
* 571-66105-4	66105-4	E	24-20	.040 - .080	b			
* 571-661053	66105-3	E	24-20	.040 - .080	c			
* 571-665654	66565-4	E	24-20	.060 - .120	b			
* 571-1-66399-0	1-66399-0	E	24-20	.080 - .100	a			
* 571-663994	66399-4	E	24-20	.080 - .100	b			
* 571-665921	66592-1	E	22-18	.055 - .110	a			
* 571-665901	66590-1	E	18-16	.080 - .100	a			
* 571-1-66101-9	1-66101-9	E	18-16	.080 - .100	a			
* 571-66101-4	66101-4	E	18-16	.080 - .100	b			
* 571-1-66360-2	1-66360-2	E	18-14	.080 - .100	a			
* 571-66360-4	66360-4	E	18-14	.080 - .100	b			
* 571-66601-9	66601-9	E	18-14	.110 - .150	a			
* 571-66601-2	66601-2	E	18-14	.110 - .150	b			
* 571-202237-5	202237-5	E	Solder Tab	----	a			

Tools

For quantities greater than listed, call for quote.

MOUSER STOCK NO.	TE Part No.	Description	Price Each
571-305183	305183	Contact extraction tool	
571-584951	58495-1	28-16 AWG Pro-Crimper III	
571-915191	91519-1	Hand tool 18-14 AWG	
571-91523-1	91523-1	Hand tool 24-16 AWG	
571-91505-1	91505-1	Hand tool 24-16 AWG	

TE CONNECTIVITY CPC Connectors (SERIES 2 AND 3)



SERIES 2 (SIZE 20 CONTACTS) - HIGH DENSITY CONNECTORS

High density applications using size 20DM (screw machined) and 20DF (precision formed) contacts.

- *STD. Gender= Pin contacts in receptacle housings, socket contacts in plug housings
- *REV. Gender= Socket contacts in receptacle housings, pin contacts in plug housings

Features:

- Housing Material: Black thermoplastic
- Flammability rating: UL94V-0

RoHS Compliant



For quantities greater than listed, call for quote.

MOUSER STOCK NO.	TE Part No.	Fig.	Shell Size	No. of Contacts	Price Each		
					1	25	50
Standard Sex Square Flange Receptacles-with Mounting Holes							
571-2058411	205841-1	A	11	8			
571-2064861	206486-1	A	11	9			
571-2058403	205840-3	A	17	28			
571-2058431	205843-1	A	23	63			
Standard Sex Free-Hanging Receptacles (For Pin Contacts)							
571-2058412	205841-2	B	11	8			
571-2064862	206486-2	B	11	9			
571-2061521	206152-1	B	17	28			
571-2058432	205843-2	B	23	63			
Standard Sex Plugs (For Socket Contacts)							
571-2058381	205838-1	C	11	8			
571-2064851	206485-1	C	11	9			
571-2058393	205839-3	C	17	28			
571-2058421	205842-1	C	23	63			
Reverse Sex Square Flange Receptacles-with Mounting Holes							
571-2064331	206433-1	A	11	8			
571-2060381	206038-1	A	17	28			
571-2064381	206438-1	A	23	57			
Reverse Sex Free-Hanging Receptacles (For Socket Contacts)							
571-2064332	206433-2	B	11	8			
571-2060382	206038-2	B	17	28			
571-2064382	206438-2	B	23	57			
Reverse Sex Plugs (For Pin Contacts)							
571-2064341	206434-1	C	11	8			
571-2060391	206039-1	C	17	28			
571-2064371	206437-1	C	23	57			

Contacts:

- Plating:
 - Select gold flash over nickel
 - Gold flash over nickel
 - Gold flash over nickel with additional gold on mating end
 - Gold over copper

RoHS Compliant



For quantities greater than listed, call for quote.

MOUSER STOCK NO.	TE Part No.	Fig.	AWG	Plating	Type	Price Each		
						1	100	1000
Pin Contacts								
571-665079	66507-9	D	28-24	a	20 DF Crimp			
571-665069	66506-9	D	24-20	a	20 DF Crimp			
571-1665060	1-66506-0	D	24-20	b	20 DF Crimp			
571-665703	66570-3	E	18max	c	20 DF Solder			
571-2050891	205089-1	F	24-20	d	20 DM Crimp			
Socket Contacts								
571-665059	66505-9	G	28-24	a	20 DF Crimp			
571-665049	66504-9	G	24-20	a	20 DF Crimp			
571-1665040	1-66504-0	G	24-20	b	20 DF Crimp			
571-665693	66569-3	H	18max	c	20 DF Solder			
571-2050901	205090-1	I	24-20	d	20 DM Crimp			

Tools

For quantities greater than listed, call for quote.

MOUSER STOCK NO.	TE Part No.	Fig.	Description	Price Each
571-910672	91067-2	J	Insertion/extraction tool	
571-912851	91285-1	K	Insertion/extraction tool	
571-584482	58448-2	L	Pro-Crimper II Hand tool	

SERIES 3 (TYPE XII CONTACTS) - POWER DENSITY CONNECTORS

Power applications with Type XII contacts capable of carrying up to 25 amps of current.

Features:

- Housing Material: Black thermoplastic
- Flammability rating: UL94V-0
- Accommodates 16 to 10AWG



For quantities greater than listed, call for quote.

MOUSER STOCK NO.	TE Part No.	Fig.	Shell Size	No. of Contacts	Price Each		
					1	25	50
Standard Sex Square Flange Receptacles-with Mounting Holes (For Pin Contacts)							
571-2060362	206036-2	M	17	3			
571-206137-1	206137-1	M	23	7			
Standard Sex Free-Hanging Receptacles (For Pin Contacts)							
571-206207-1	206207-1	N	17	3			
571-2061372	206137-2	N	23	7			
Standard Sex Plugs (For Socket Contacts)							
571-2060372	206037-2	O	17	3			
571-2061361	206136-1	O	23	7			
Reverse Sex Square Flanges Receptacles-with Mounting Holes (For Socket Contacts)							
571-2064251	206425-1	M	17	3			
571-2062271	206227-1	M	23	7			
Reverse Sex Free-Hanging Receptacles (For Socket Contacts)							
571-2064252	206425-2	N	17	3			
571-2062272	206227-2	N	23	7			
Reverse Sex Plugs (For Pin Contacts)							
571-206426-1	206426-1	O	17	3			
571-2062261	206226-1	O	23	7			

Type XII, Precision Formed, Crimp Power Contacts

For quantities greater than listed, call for quote.

MOUSER STOCK NO.	TE Part No.	Fig.	AWG	Finish	Contact Type	Price Each		
						1	100	1000
571-662592	66259-2	P	10-8	Gold	Pin			
571-66259-5	66259-5	P	10	Tin	Pin			
571-662612	66261-2	P	16, 14-12	Gold	Pin			
571-66261-5	66261-5	P	16, 14-12	Tin	Pin			
571-667416	66741-6	Q	10	Gold	Socket			
571-2-66741-1	2-66741-1	Q	10	Tin	Socket			
571-667406	66740-6	Q	16, 14-12	Gold	Socket			
571-2-66740-1	2-66740-1	Q	16, 14-12	Tin	Socket			

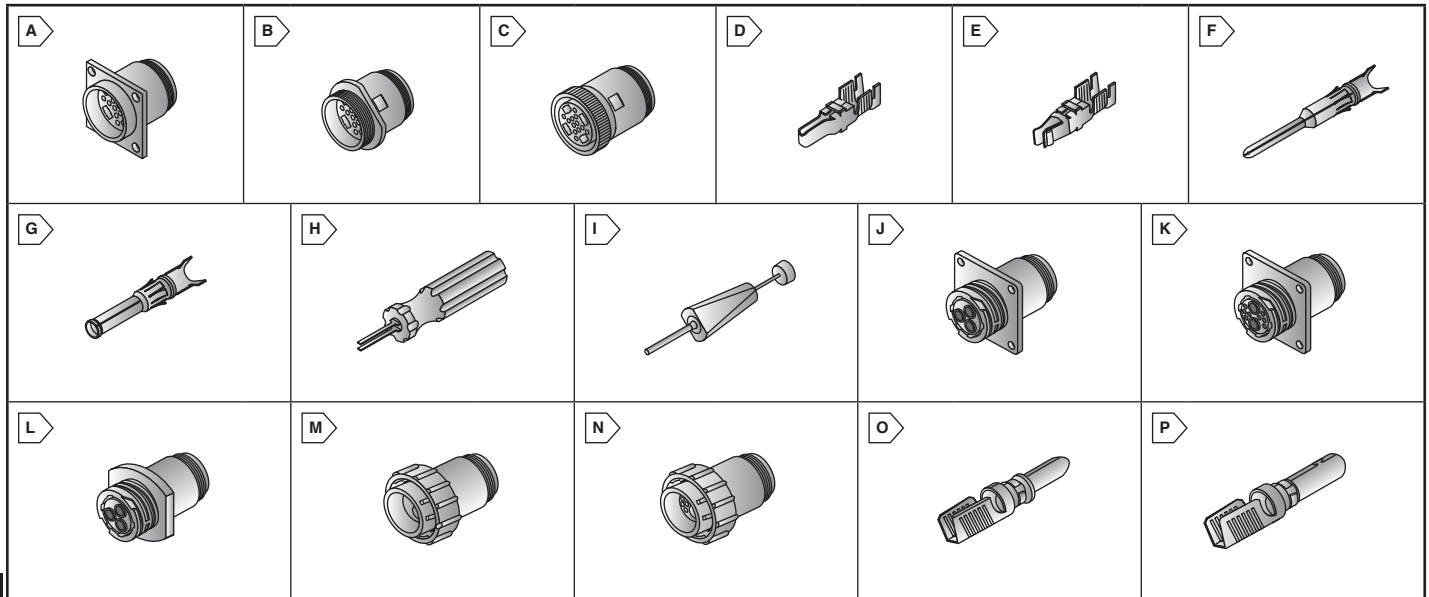
Tool

For quantities greater than listed, call for quote.

MOUSER STOCK NO.	TE Part No.	Fig.	Description	Price Each
571-910193	91019-3	R	Extraction tool	

TE CONNECTIVITY CPC Connectors

(SERIES 4, 5, AND 6)



SERIES 4 (TYPE XII AND SIZE 16 CONTACTS) - POWER AND SIGNAL COMBINATION

Combination of standard and power density applications with size 16 and Type XII contacts

Features:

- Housing Material: Black thermoplastic
- Flammability rating: UL94V-0



Arrangement
23-13M
No. of cavities
Power: 5
Multimate: 8



Arrangement
23-16M
No. of cavities
Power: 4
Multimate: 12



Arrangement
23-22M
No. of cavities
Power: 2
Multimate: 20



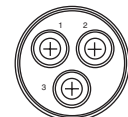
RoHS Compliant



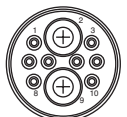
E28476



LR7189



Arrangement
17-3



Arrangement
17-10

SERIES 5 AND 6 SEALED CPC AND POWERBAND CONTACTS

Features:

- Meets the requirements of UL, CSA and VDE for environmentally sealed connectors used in industrial applications
- Housing Material: Nylon, glass-filled, black
- Flammability rating: UL94V-0
- Receptacles accept socket contacts
- Series 5: .125 powerband contacts
- Series 6: Size 16 and .125 powerband contacts
- Plugs accept pin contacts

*Reverse Sex Gender = Socket contacts in receptacle housings, pin contacts in plug housings



RoHS Compliant



E28476



LR7189

Connectors

Pins and sockets must be ordered separately

For quantities greater than listed, call for quote.

MOUSER STOCK NO.	TE Part No.	Fig.	Contact Arrangement	Price Each		
				1	25	50
Square Flange Receptacles						
571-2118251	211825-1	A	23 - 13M			
571-2074861	207486-1	A	23 - 16M			
571-2066131	206613-1	A	23 - 22M			
Free Hanging Receptacles						
571-2118252	211825-2	B	23 - 13M			
571-2074862	207486-2	B	23 - 16M			
571-2066133	206613-3	B	23 - 22M			
Plugs						
571-2118241	211824-1	C	23 - 13M			
571-2074851	207485-1	C	23 - 16M			
571-2066121	206612-1	C	23 - 22M			

Two-Piece Sealed - Reverse Sex

For quantities greater than listed, call for quote.

MOUSER STOCK NO.	TE Part No.	Fig.	Series	Shell Size	Contact	Price Each		
						1	25	50
Square Flange Receptacle								
571-2138892	213889-2	J	5	17	3			
571-2138932	213893-2	K	6	17	10			
Free Hanging Receptacle								
571-2138902	213890-2	L	5	17	3			
Plug with Full Interfacial Seal								
571-2139051	213905-1	M	5	17	3			
571-2139061	213906-1	N	6	17	10			

Contacts

For quantities greater than listed, call for quote.

MOUSER STOCK NO.	TE Part No.	Fig.	Contact Type	AWG	Finish	Price Each		
						1	100	1000
Type XII								
571-66261-4	66261-4	D	Pin	16,14-12	Silver			
571-662612	66261-2	D	Pin	16,14-12	Gold			
571-662592	66259-2	D	Pin	10-8	Gold			
571-66259-4	66259-4	D	Pin	10-8	Silver			
571-667402	66740-2	E	Socket	16,14-12	Silver			
571-667406	66740-6	E	Socket	16,14-12	Gold			
571-667416	66741-6	E	Socket	10	Gold			
571-66741-2	66741-2	E	Socket	10-8	Silver			
Size 16 Signal								
571-665911	66591-1	F	Pin	22-18	Tin			
571-665891	66589-1	F	Pin	18-16	Tin			
571-665921	66592-1	G	Socket	22-18	Tin			
571-665901	66590-1	G	Socket	18-16	Tin			

Tools

For quantities greater than listed, call for quote.

MOUSER STOCK NO.	TE Part No.	Fig.	Description	Price Each
571-911241	91124-1	H	Extraction, for type XII contacts	
571-305183	305183	I	Extraction, for size 16 signal contacts	

Powerband Contacts

Features:

- Precision formed high current

RoHS Compliant

For quantities greater than listed, call for quote.

MOUSER STOCK NO.	TE Part No.	Fig.	Series	AWG	Contact	Price Each		
						1	10	100
571-2138454	213845-4	O	Pin	14-12	Gold			
571-2138453	213845-3	O	Pin	14-12	Silver			
571-2138414	213841-4	O	Pin	10-8	Gold			
571-2138413	213841-3	O	Pin	10-8	Silver			
571-2138474	213847-4	P	Socket	14-12	Gold			
571-2138473	213847-3	P	Socket	14-12	Silver			
571-2138434	213843-4	P	Socket	10-8	Gold			
571-2138433	213843-3	P	Socket	10-8	Silver			

Tools

For quantities greater than listed, call for quote.

MOUSER STOCK NO.	TE Part No.	Description	Price Each
571-697101	69710-1	Hand tool without dies	

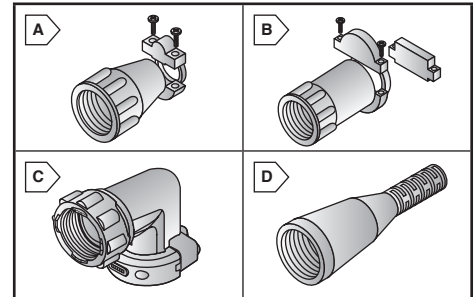
TE CONNECTIVITY Circular Accessories

RoHS Compliant This product is RoHS compliant.

SHELL SIZE 11 ACCESSORIES



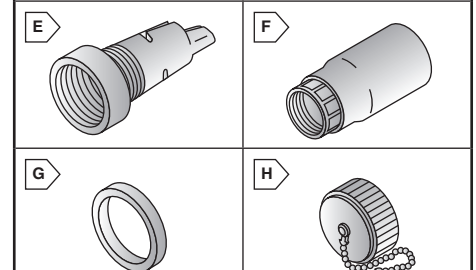
MOUSER STOCK NO.	TE Part No.	Fig.	Description	Price Each		
				1	25	50
571-1-206062-6	1-206062-6	A	Std cable clamp, screw length .375"			
571-1-206062-4	1-206062-4	A	Std cable clamp, screw length .500"			
571-206358-5	206358-5	B	Large cable clamp			
571-1546347-2	1546347-2	C	Right-angle cable clamp with cover			
571-207489-1	207489-1	D	Flexible cable boot			
571-207490-1	207490-1	E	Internal cable grip			
571-54010-1	54010-1	F	Heat shrink sealing boot			
571-2064031	206403-1	G	Peripheral seal			
571-208800-1	208800-1	H	Sealing cap metal chain			
571-2063041	206304-1	I	Rubber boot			
571-2138111	213811-1	J	Replacement coupling ring			
571-207299-1	207299-1	K	Panel mount flange for plug			



SHELL SIZE 13 ACCESSORIES



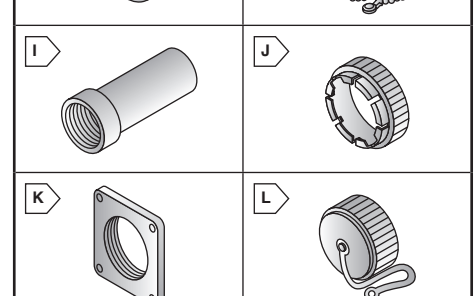
MOUSER STOCK NO.	TE Part No.	Fig.	Description	Price Each		
				1	25	50
571-206966-7	206966-7	A	Standard cable clamp			
571-207008-5	207008-5	B	Large cable clamp			
571-1546348-2	1546348-2	C	Right-angle cable clamp with cover			
571-54123-1	54123-1	F	Heat shrink sealing boot			
571-2064034	206403-4	G	Peripheral seal			
571-211870-2	211870-2	L	Sealing cap plastic strap			
571-2134851	213485-1	H	Sealing cap metal chain			
571-2138131	213813-1	J	Replacement coupling ring			
571-207299-2	207299-2	K	Panel mount flange for plug			



SHELL SIZE 17 ACCESSORIES



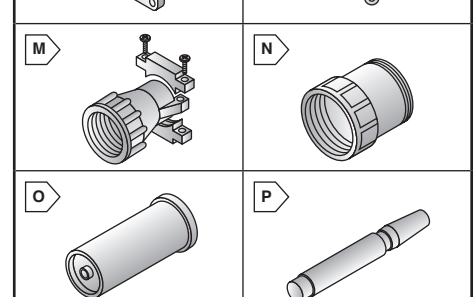
MOUSER STOCK NO.	TE Part No.	Fig.	Description	Price Each		
				1	25	50
571-206070-8	206070-8	A	Standard cable clamp			
571-206322-9	206322-9	B	Large cable clamp			
571-1546349-2	1546349-2	C	Right-angle cable clamp with cover			
571-2072411	207241-1	D	Flexible cable boot			
571-2073871	207387-1	E	Small internal cable grip			
571-2073872	207387-2	E	Large internal cable grip			
571-54011-1	54011-1	F	Heat shrink sealing boot			
571-2064032	206403-2	G	Peripheral seal			
571-2086521	208652-1	H	Sealing cap metal chain			
571-2138101	213810-1	J	Replacement coupling ring			
571-2072993	207299-3	K	Panel mount flange for plug			



SHELL SIZE 23 ACCESSORIES



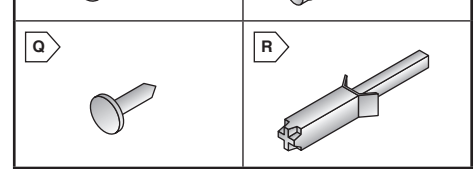
MOUSER STOCK NO.	TE Part No.	Fig.	Description	Price Each		
				1	25	50
571-206138-8	206138-8	A	Standard cable clamp			
571-206512-5	206512-5	B	Large cable clamp			
571-1546350-2	1546350-2	C	Right-angle cable clamp with cover			
571-207774-3	207774-3	M	Self-centering cable clamp			
571-54012-1	54012-1	F	Heat shrink sealing boot			
571-2064033	206403-3	G	Peripheral seal			
571-2072994	207299-4	L	Panel mount flange for plug			
571-2070551	207055-1	N	Back-shell extender			
571-2070523	207052-3	O	Jacketed cable seal .60" - .875"			
571-2086801	208680-1	I	Sealing cap metal chain			
571-2138121	213812-1	K	Replacement coupling ring			



KEYING PLUGS



MOUSER STOCK NO.	TE Part No.	Fig.	Description	Price Each		
				1	25	50
571-2008211	200821-1	P	Series 1 and 4 keying plug			
571-2065091	206509-1	Q	Series 2 keying plug			
571-2065081	206508-1	R	Series 3 and 4 keying plug sockets			
571-2075971	207597-1	R	Series 3 and 4 keying plug pins			



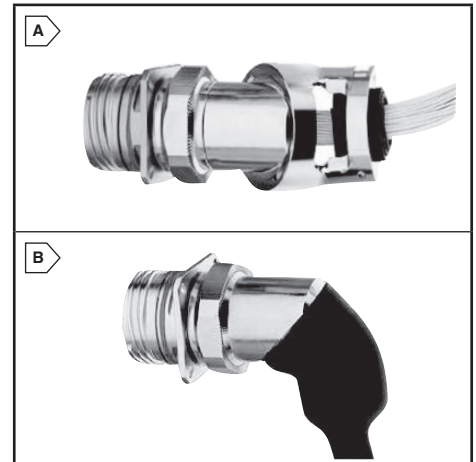
RAYCHEM SPIN LOCK VARIABLE ANGLE BACKSHELLS

- Variable angle backshell enables straight, 45° and 90° cable terminations with the same part
- High performance, low resistance shield termination



For quantities greater than listed, call for quote.

MOUSER STOCK NO.	TE Part No.	Fig.	Shell Size	Mates To	Price Each		
					1	5	10
Saddle Clamp Version							
650-SLC40AB-0804A	SLC40AB-0804A	A	8	MIL-C-38999, Series III and IV			
650-SLC40AB-1006A	SLC40AB-1006A	A	10	MIL-C-38999, Series III and IV			
650-SLC40AB-1208A	SLC40AB-1208A	A	12	MIL-C-38999, Series III and IV			
650-SLC41AB-0804A	SLC41AB-0804A	A	8	MIL-C-38999, Series I and II			
650-SLC41AB-1006A	SLC41AB-1006A	A	10	MIL-C-38999, Series I and II			
650-SLC41AB-1208A	SLC41AB-1208A	A	12	MIL-C-38999, Series I and II			
650-SLC54AB-0804A	SLC54AB-0804A	A	8	MIL-C-5015G, MS3400			
650-SLC54AB-1006A	SLC54AB-1006A	A	10	MIL-C-5015G, MS3401			
650-SLC54AB-1208A	SLC54AB-1208A	A	12	MIL-C-5015G, MS3402			
Molded Boot Version							
650-SLM40AB-0804A250	SLM40AB-0804A-25-0	B	8	MIL-C-38999, Series III and IV			
650-SLM40AB-1006A250	SLM40AB-1006A-25-0	B	10	MIL-C-38999, Series III and IV			
650-SLM40AB-1208A250	SLM40AB-1208A-25-0	B	12	MIL-C-38999, Series III and IV			
650-SLM41AB-0804A250	SLM41AB-0804A-25-0	B	8	MIL-C-38999, Series I and II			
650-SLM41AB-1006A250	SLM41AB-1006A-25-0	B	10	MIL-C-38999, Series I and II			
650-SLM41AB-1208A250	SLM41AB-1208A-25-0	B	12	MIL-C-38999, Series I and II			
650-SLM54AB-0804A250	SLM54AB-0804A-25-0	B	8	MIL-C-5015G, MS3400			
650-SLM54AB-1006A250	SLM54AB-1006A-25-0	B	10	MIL-C-5015G, MS3401			
650-SLM54AB-1208A250	SLM54AB-1208A-25-0	B	12	MIL-C-5015G, MS3402			



TE CONNECTIVITY Miniature CPC

Products may be RoHS compliant. Check mouser.com for RoHS status.

MINIATURE CPC

Ideal for medical, instrumentation and industrial applications where size, contact density and durability are primary concerns. The nylon housings offer good resistance to a wide range of chemical agents while the IP67 sealing helps prevent ingress of dirt or fluids that would have an adverse effect on the contact interface.

Features:

- Sealed to IP67
- Pre-positioned 1/4 turn coupling ring with positive lock and alignment features
- Unique contact pattern for each position size helps prevent accidental mating with other position sizes
- Front or rear jam nut mounting
- Field repairable contacts
- Available in wire-to-wire, wire-to-board and wire-to-panel configurations

Electrical:

- Operating temperature: -55°C to +105°C
- Dielectric withstanding voltage: 2200VAC minimum
- Wire termination: Crimp
- Housing: single piece design, plastic



RoHS Compliant



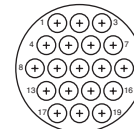
Arr. 8-4



Arr. M9.5-7



Arr. 11-9



Panel Mount Receptacles

For quantities greater than listed, call for quote.

MOUSER STOCK NO.	TE Part No.	Fig.	Arrangement	Insulation Diameter Range	Price Each			
					1	10	25	50
571-14454211	1445421-1	A	8-4	.035 - .059				
571-14454213	1445421-3	A	8-4	.059 - .110				
571-14458161	1445816-1	A	11-9	.035 - .059				
571-14458163	1445816-3	A	11-9	.059 - .110				

Free Hanging Receptacles

For quantities greater than listed, call for quote.

MOUSER STOCK NO.	TE Part No.	Fig.	Arrangement	Insulation Diameter Range	Price Each			
					1	10	25	50
571-14453891	1445389-1	B	8-4	.035 - .059				
571-14453893	1445389-3	B	8-4	.059 - .110				
571-14458253	1445825-3	B	11-9	.059 - .110				

Plugs

For quantities greater than listed, call for quote.

MOUSER STOCK NO.	TE Part No.	Fig.	Arrangement	Insulation Diameter Range	Price Each			
					1	10	25	50
571-14453901	1445390-1	C	8-4	.035 - .059				
571-14453903	1445390-3	C	8-4	.059 - .110				
571-14458071	1445807-1	C	11-9	.035 - .059				
571-14458073	1445807-3	C	11-9	.059 - .110				

ACCESSORIES

Strain Reliefs

For quantities greater than listed, call for quote.

MOUSER STOCK NO.	TE Part No.	Shell Size	Type	Price Each			
				1	10	25	50
571-14457301	1445730-1	8	Straight				
571-14458561	1445856-1	11	Straight				
571-14457711	1445771-1	8	Right-Angle				

Jam Nuts

For quantities greater than listed, call for quote.

MOUSER STOCK NO.	TE Part No.	Shell Size	Type	Price Each			
				1	10	25	50
571-16041961	1604196-1	8	5/8-24 UNEF-2B				
571-14459041	1445904-1	11	3/4-20 UNEF-2B				

Flange Seals

For quantities greater than listed, call for quote.

MOUSER STOCK NO.	TE Part No.	Shell Size	Type	Price Each			
				1	10	25	50
571-14454201	1445420-1	8	-----				
571-14454202	1445420-2	11	-----				

Dust Caps

For quantities greater than listed, call for quote.

MOUSER STOCK NO.	TE Part No.	Shell Size	Type	Price Each			
				1	10	25	50
571-16040891	1604089-1	8	-----				
571-16040892	1604089-2	11	-----				

Contacts

- Sockets: Brass

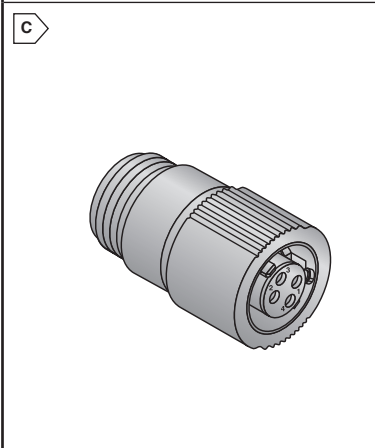
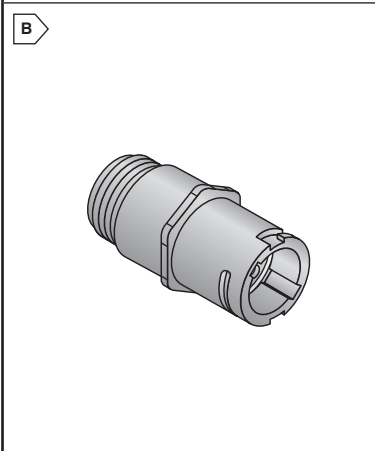
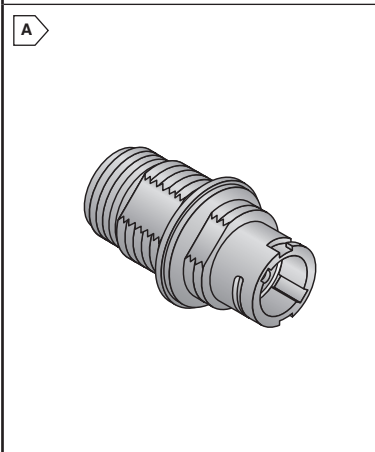
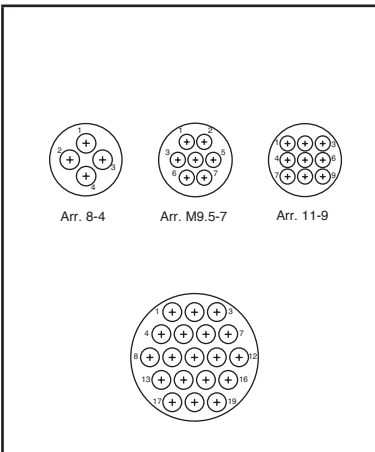
For quantities greater than listed, call for quote.

MOUSER STOCK NO.	TE Part No.	Type	Finish	Wire Size AWG	Price Each		
					1	100	500
571-794059-1	794059-1	Pin	Pre-Tin	30-26			
571-7709851	770985-1	Pin	Pre-Tin	26-22			
571-7709871	770987-1	Pin	Pre-Tin	22-18			
571-794058-1	794058-1	Socket	Pre-Tin	30-26			
571-770986-1	770986-1	Socket	Pre-Tin	26-22			
571-770988-1	770988-1	Socket	Pre-Tin	22-18			

Tools

For quantities greater than listed, call for quote.

MOUSER STOCK NO.	TE Part No.	Description	Price Each	
			1	5
571-1897271	189727-1	Extraction Tool		
571-4558301	455830-1	Insertion Tool		
571-908701	90870-1	Pro Crimper III with Die for 30-24AWG		
571-907582	90758-2	SDE Die for 26-22 AWG		
571-90759-2	90759-2	SDE Die for 22-18 AWG		



TE Connectivity Circular Connectors

AVX Lighting Connectors



This product is RoHS compliant.



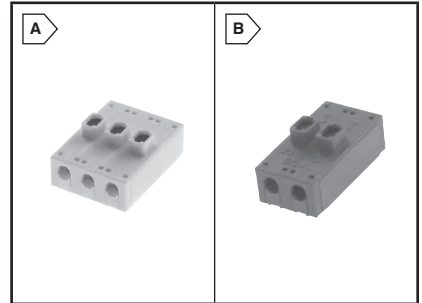
WIRE-TO-WIRE; POKE HOME THRU-WIRE CONNECTORS AND JUNCTION BOX

Features:

- Robust design for harsh environments; -40°C to +125°C
- 8AMP current rating
- High spring force BeCu contact system provides high reliability
- Accepts any wire between 18AWG to 26AWG; solid or stranded
- Miniaturized size; 4.0mm pitch

For quantities greater than listed, call for quote.

MOUSER STOCK NO.	AVX Part No.	Fig.	Number of Positions	Color	Description	Price Each			
						1	10	50	100
581-009286002021106	009286002021106	A	2-way	White	Thru-Wire				
581-009286003021106	009286003021106	A	3-way	White	Thru-Wire				
581-009286004121506	009286004121506	B	4-way	Red	Junction Box				

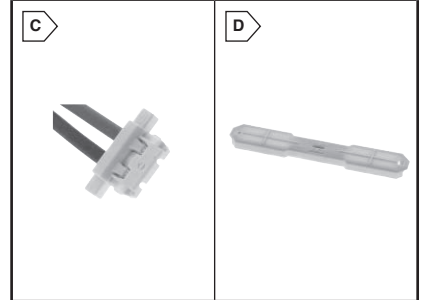


LED LIGHTING /LED BACKLIGHT CONNECTOR

The 9608 Series LED lighting connector and 9609 Series LED backlight connectors feature the lowest profile in the industry at 1.4mm, which minimizes the spacing between PCBs and allows for even light distribution.

For quantities greater than listed, call for quote.

MOUSER STOCK NO.	AVX Part No.	Fig.	Type	Current Rating	Number of Positions	Price Each			
						1	10	100	250
9608 Series									
581-149608102000868	149608102000868+	C	Board to Board	1A to 3A	2				
581-209608102100829	209608102100829+	C	Board to Board	1A to 3A	2				
581-979608302009829	979608302009829+	C	Wire to Board	1A to 3A	2				
581-979608302010829	979608302010829+	C	Wire to Board	1A to 3A	1				
9609 Series									
581-109609001001808	109609001001808+	D	Board to Board	1A to 3A	1				
581-249609001000808	249609001000808+	D	Board to Board	1A to 3A	1				
581-979609001007808	979609001007808+	D	Wire to Board	1A to 3A	1				
581-979609001008808	979609001008808+	D	Wire to Board	1A to 3A	1				



SSL - DISCRETE WIRE IDC CAPS

Features:

- IDC contact provides a gas-tight connection to the PCB for long term reliability
- Optional termination cap provides additional strain relief for severe environments
- Tested to automotive levels on shock, vibration and temperature cycling for reliability
- Reduced total applied cost versus solder or crimp processes
- Individual contacts can be located anywhere on the PCB based on specific application

For quantities greater than listed, call for quote.

MOUSER STOCK NO.	AVX Part No.	Fig.	Number of Ways	Description	Price Each			
					1	10	50	100
9176 Series								
581-609176001521000	609176001521000	E	1	Cap, glass filled nylon, black				
581-609176001415000	609176001415000	E	1	Cap, glass filled nylon, black				
581-609176001415100	609176001415100	E	1	Cap, glass filled nylon, white				
581-709176001522006	709176001522006	E	1	IDC wire to board, contact plating, 22 gauge				
581-709176001422006	709176001422006	E	1	IDC wire to board, contact plating, 22 gauge				
581-709176001432006	709176001432006	E	1	IDC wire to board, contact plating, 24 gauge				
581-609176002016000	609176002016000	E	2	Cap, thru wire, black				
581-609176003016000	609176003016000	E	3	Cap, thru wire, black				
581-609176003021000	609176003021000	E	3	Cap, thru wire, black				
581-609176003016099	609176003016099	F	3	Cap with stop, black				
581-609176002016099	609176002016099	F	2	Cap with stop, black				
581-609176002021099	609176002021099	F	2	Cap with stop, black				
581-609176003021099	609176003021099	F	3	Cap with stop, black				

SOLID STATE LIGHTING CONNECTORS

The 9159 of Board-to-Board interconnect system allows two PCB's to be mated end-to-end creating strips of LED lighting. Designed specifically for the unique Solid State Lighting (SSL) market requiring coplanar (horizontal-to-horizontal) PCB mating with a 5 Amp current rating in the smallest package available.

Wired Plugs

The cabled plug was developed to bring power and signals onto the PCB's while keeping the same board level interface. This allows the designer to build a single PCB with a receptacle on one end and a plug on the other end to minimize cost and inventory. Regardless of where the PCB is used in the system, the cabled plug connector will then create the connection to the outside world. The optional latch can be inserted into the plug housing to assure positive attachment to the PCB in harsh environments without having to change the PCB connector.

MOUSER STOCK NO.	AVX Part No.	Fig.	Circuit Size	Dimensions: mm			Price Each			
				A	B	C	1	10	50	100
581-119159002101116	119159002101116	G	2	14.7	8	3				
581-119159003101116	119159003101116	G	3	14.7	11	3				
581-119159004101116	119159004101116	G	4	14.7	14	3				
581-119159005101116	119159005101116	G	5	14.7	17	3				
581-119159006101116	119159006101116	G	6	14.7	20	3				

Top Loading Sockets

The top loading socket allows complete PCB's to be replaced in the field without having to disassemble the entire strip boards. The connector has a two part insulator whereby the top of the connector will slide open allowing the plug connector to be pulled out either vertically or at a slight angle. Once the PCB is replaced, the cover is slid back like a Zero Insertion Force (ZIF) connector to the closed position.

581-229159002101116	229159002101116	H	2	11.4	4.5	4.5				
581-229159003101116	229159003101116	H	3	14.4	4.5	4.5				
581-229159004101116	229159004101116	H	4	17.4	4.5	4.5				
581-229159005101116	229159005101116	H	5	20.4	4.5	4.5				
581-229159006101116	229159006101116	H	6	23.4	4.5	4.5				

Shorting Socket

The 2 position shorting socket was designed to plug onto the last PCB in the lighting strip to short the two contacts together, closing the electrical loop. Just as the cabled plug brings power and signals onto the light strip, the shorting socket completes the circuit while maintaining a single board design.

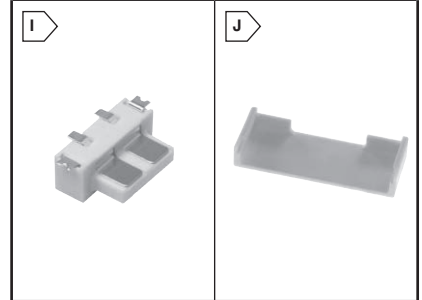
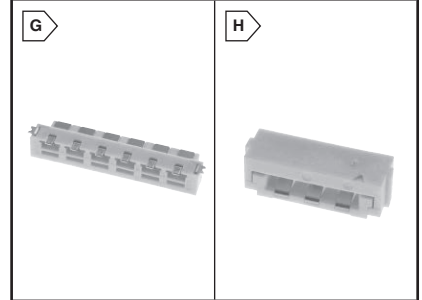
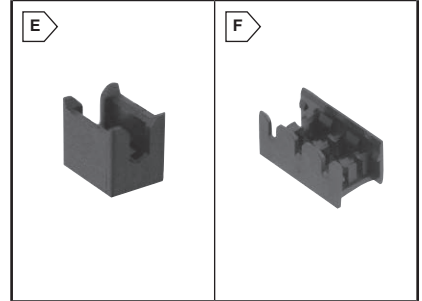
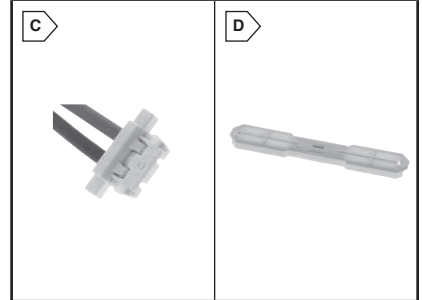
581-589159002000006	589159002000006	I	2	8	4.2	--				
-------------------------------------	-----------------	---	---	---	-----	----	--	--	--	--

Covers for Plug

581-609159330201000	609159330201000	J	2	8	6.5	3				
581-609159330301000	609159330301000	J	3	11	6.5	3				
581-609159330401000	609159330401000	J	4	14	6.5	3				
581-609159330501000	609159330501000	J	5	17	6.5	3				
581-609159330601000	609159330601000	J	6	20	6.5	3				

Latches for Plug

581-609159340201000	609159340201000	K	2,4,6	10	5	--				
581-609159340301000	609159340301000	K	3,5	10	8	--				



Lighting Connectors

AVX

AVX Lighting Connectors

RoHS Compliant This product is RoHS compliant.

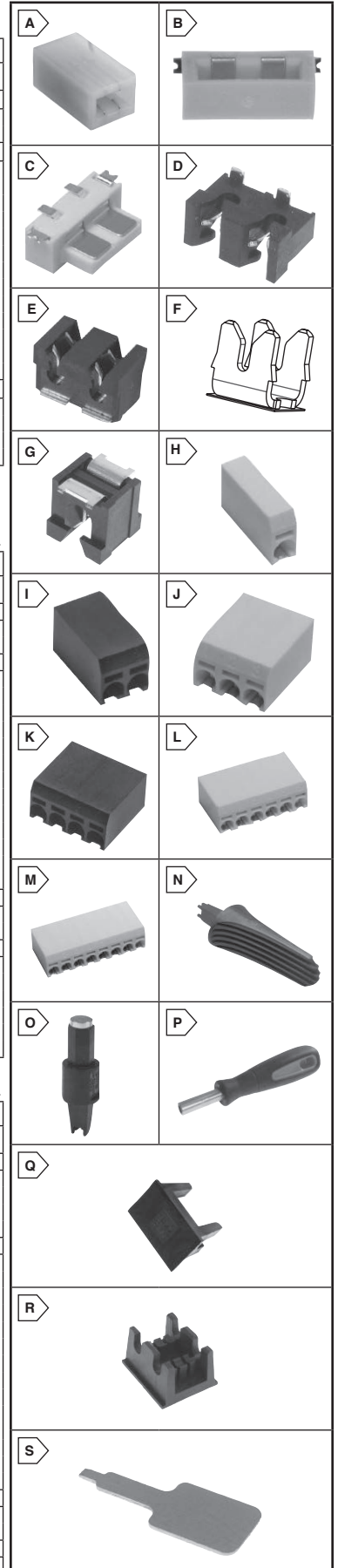


BOARD TO BOARD CONNECTORS

PRODUCT **NEW**

For quantities greater than listed, call for quote.

MOUSER STOCK NO.	AVX Part No.	Fig.	Type	No. of Pos.	Voltage Rating (V)	Amps	Contact Plating	Price Each			
								1	10	50	100
1 Piece Connectors * Operating Temperature: -55°C to +125°C											
581-00915900201106	009159002001106	A	Socket	2	250	3	Pure Tin				
581-00915900501106	009159005001106	A	Socket	5	250	3	Pure Tin				
2 Piece Connectors * Operating Temperature: -55°C to +85°C											
581-209159002101116	209159002101116	B	Socket	2	125	5	Gold				
581-209159004101116	209159004101116	B	Socket	4	125	5	Gold				
581-209159005101116	209159005101116	B	Socket	5	125	5	Gold				
581-209159006101116	209159006101116	B	Socket	6	125	5	Gold				
581-139159002101116	139159002101116	C	Plug	2	125	3	Gold				
581-139159003101116	139159003101116	C	Plug	3	125	3	Gold				
581-139159004101116	139159004101116	C	Plug	4	125	3	Gold				
581-139159005101116	139159005101116	C	Plug	5	125	3	Gold				
581-139159006101116	139159006101116	C	Plug	6	125	3	Gold				
581-109159002101116	109159002101116	C	Plug	2	125	5	Gold				
581-109159004101116	109159004101116	C	Plug	4	125	5	Gold				
581-109159005101116	109159005101116	C	Plug	5	125	5	Gold				
581-109159006101116	109159006101116	C	Plug	6	125	5	Gold				
2 Piece Connectors * Operating Temperature: -40°C to +125°C											
581-249159002122106	249159002122106	B	Socket	2	125	5	Gold				
581-249159003122106	249159003122106	B	Socket	3	125	5	Gold				
581-149159002122106	149159002122106	C	Plug	2	125	5	Gold				
581-149159003122106	149159003122106	C	Plug	3	125	5	Gold				



WIRE TO BOARD CONNECTORS

* Operating Temperature: -40°C to 105°C

PRODUCT **NEW**

For quantities greater than listed, call for quote.

MOUSER STOCK NO.	AVX Part No.	Fig.	No. of Ways	Voltage Rating (V)	Amps	Wire Gauge (AWG)	Price Each			
							1	10	50	100
9175 Series										
581-009175002001006	009175002001006	D	2	125	1	26-28				
581-009175003001006	009175003001006	D	3	125	1	26-28				
9176 Series										
581-009176001001006	009176001001006	E	1	250	10	18				
581-009176001001106	009176001001106	E	1	250	10	18				
581-009176001011006	009176001011006	E	1	250	10	20				
581-009176001011106	009176001011106	E	1	250	10	20				
581-009176001022006	009176001022006	E	1	250	10	22				
581-009176001022106	009176001022106	E	1	250	10	22				
581-009176001032006	009176001032006	E	1	250	10	24				
581-009176001032106	009176001032106	E	1	250	10	24				
581-009176002022006	009176002022006	E	2	250	10	22				
581-009176002032006	009176002032006	E	2	250	10	24				
581-009176003022006	009176003022006	E	3	250	10	22				
581-009176003032006	009176003032006	E	3	250	10	24				
581-709176001443006	709176001443006	F	1	-	6	26 - 28				
9177 Series										
581-009177001012006	009177001012006	G	1	600	15	16				
581-009177001022006	009177001022006	G	1	600	15	18				
9276 Series										
581-009276001021106	00-9276001021106	H	1	-	-	18-24				
581-009276002021106	00-9276002021106	I	2	-	-	18-24				
581-009276003021106	00-9276003021106	J	3	-	-	18-24				
581-009276004021106	00-9276004021106	K	4	-	-	18-24				
581-009276006021106	00-9276006021106	L	6	-	-	18-24				
581-009276008021106	00-9276008021106	M	8	-	-	18-24				

TOOLS

For quantities greater than listed, call for quote.

MOUSER STOCK NO.	AVX Part No.	Fig.	Description	Price Each			
				1	10	50	100
9175 Series Hand Insertion Tool							
581-069175700401000	069175700401000	N	IDC wire to board connector tool				
581-069175701701000	069175701701000	O	High production tool, Max Insulation Dia. 1.0				
581-069175701701002	069175701701002	P	Mass insertion tool for 9175 Series, 2 way				
581-069175701701003	069175701701003	Q	Mass insertion tool for 9175 Series, 3 way				
9176 Series Hand Insertion Tool							
581-067000773001000	067000773001000	R	Universal Handle				
581-069176701801000	069176701801000	O	Assembly tool, cap used, use with Universal Handle				
581-069176701901000	069176701901000	O	Assembly tool, for contact only, use with Universal Handle				
581-069176701902000	069176701902000	O	Assembly tool, for contact only, use with Universal Handle				
581-069176702101000	069176702101000	O	Metal tool, high volume, use with Universal Handle				
581-069176702201000	069176702201000	O	Plastic tool, low/med volume, for single contact, use with Universal Handle				
581-069176701601000	069176701601000	O	Med production tool, Max Insulation Dia. 2.1				
581-069176701602000	069176701602000	O	Med production tool, Max Insulation Dia. 1.6				
581-069176701701000	069176701701000	O	Hand insertion for single 18/24 gauge wire				
581-069176701701002	069176701701002	P	IDC connector tool, Max Insulation Dia. 2.10, 2 way				
581-069176701701003	069176701701003	Q	IDC connector tool, Max Insulation Dia. 2.10, 3 way				
581-069176701702000	069176701702000	O	Hand insertion for single 18/24 gauge wire				
581-069176701702002	069176701702002	P	IDC connector tool, Max Insulation Dia. 1.60, 2 way				
581-069176701702003	069176701702003	Q	IDC connector tool, Max Insulation Dia. 1.60, 3 way				
9177 Series Hand Insertion Tool							
581-06917701602002	06917701602002	P	2 way, Max Insulation Dia. 3.50				
581-069177500001000	069177500001000	-	Development Kit for 9177 Series				
9276 Series Wire Extraction Tool							
581-069276700101000	069276700101000	S	Thin bladed wire extraction tool				

HIROSE Connectors



This page of product is RoHS compliant.



HIROSE ELECTRIC CO., LTD.

DF61 SERIES - BOARD TO WIRE SWING-LOCK CONNECTORS

Features:

- 2.2 Pitch, Low Profile Power Source
- Reinforced Swing Lock Structure
- Header Lock Improves Plug Retention
- Current Rating: 3.2A (26AWG)
- 4.0A (24AWG) 5.0A (22AWG)
- Compact Size- High Voltage
- Solder Wicking Prevention
- Voltage Rating 350VAC/VDC

For quantities greater than listed, call for quote.

MOUSER STOCK NO.	Hirose Part No.	Fig.	No. of Positions	AWG	Color	Dimensions: mm L x W x H	Price Each		
							1	10	50
Straight Headers - SMT									
798-DF61-2P-2.2V21	DF61-2P-2.2V(21)	A	2	30-26	Red	7.35 x 5.1 x 2.18			
798-DF61-2P-2.2V22	DF61-2P-2.2V(22)	A	2	30-26	Yellow	7.35 x 5.1 x 2.18			
798-DF61-2P-2.2V23	DF61-2P-2.2V(23)	A	2	30-26	Beige	7.35 x 5.1 x 2.18			
Sockets - Crimp Case									
798-DF61-2S-2.2C(11)	DF61-2S-2.2C(11)	B	2	30-26	Red	6.29 x 3.68 x 2.26			
798-DF61-2S-2.2C(12)	DF61-2S-2.2C(12)	B	2	30-26	Yellow	6.29 x 3.68 x 2.26			
798-DF61-2S-2.2C(13)	DF61-2S-2.2C(13)	B	2	30-26	White	6.29 x 3.68 x 2.26			

Crimp Contacts

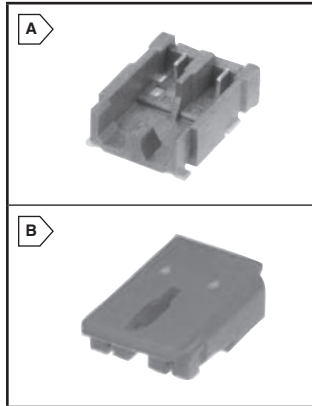
For quantities greater than listed, call for quote.

MOUSER STOCK NO.	Hirose Part No.	AWG	Price Each		
			1	10	50
798-DF61-2630SCF41	DF61-2630SCF(41)	30-26			
798-DF61-2628SCF	DF61-2628SCF	26-28			
798-DF61-2226SCF(41)	DF61-2226SCF(41)	22-26			

Hand Crimping Tools

For quantities greater than listed, call for quote.

MOUSER STOCK NO.	Hirose Part No.	AWG	Price Each
798-HT305/DF61-2628S	HT305/DF61-2628S	26-28	
798-HT305/DF61-2226S	HT305/DF61-2226S	22-26	



DF57 SERIES - LOW PROFILE SWING-LOCK WIRE-TO-BOARD CONNECTORS

Features:

- 1.4mm height
- "Swing lock": Both positive and friction locks are provided for cable pull force resistance
- Current Rating: Varies from 0.5A to 2.5A, depending on the wire gauge used and the number of wire contacts

For quantities greater than listed, call for quote.

MOUSER STOCK NO.	Hirose Part No.	Fig.	No. of Pos.	AWG	Dimensions: mm				Price Each		
					A	B	C	D	1	10	50
Headers - 1.2mm Pitch											
798-DF57H-2P-1.2V21	DF57H-2P-1.2V(21)	A	2	34-32	4.1	1.2	2.5	-			
798-DF57H-3P-1.2V21	DF57H-3P-1.2V(21)	A	3	34-32	5.3	2.4	3.7	-			
798-DF57H-4P-1.2V21	DF57H-4P-1.2V(21)	A	4	34-32	6.5	3.6	4.9	-			
798-DF57H-5P-1.2V21	DF57H-5P-1.2V(21)	A	5	34-32	7.7	4.8	6.1	-			
798-DF57H-6P-1.2V21	DF57H-6P-1.2V(21)	A	6	34-32	8.9	6.0	7.3	-			
798-DF57-2P-1.2V21	DF57-2P-1.2V(21)	A	2	30-28	4.1	1.2	2.5	-			
798-DF57-3P-1.2V21	DF57-3P-1.2V(21)	A	3	30-28	5.3	2.4	3.7	-			
798-DF57-4P-1.2V21	DF57-4P-1.2V(21)	A	4	30-28	6.5	3.6	4.9	-			
798-DF57-5P-1.2V21	DF57-5P-1.2V(21)	A	5	30-28	7.7	4.8	6.1	-			
798-DF57-6P-1.2V21	DF57-6P-1.2V(21)	A	6	30-28	8.9	6.0	7.3	-			
Header - 2.4mm Pitch											
798-DF57H-2P2.4V(21)	DF57H-2P-2.4V(21)	A	2	30-28	5.3	2.4	3.7	-			
Sockets - 1.2mm Pitch											
798-DF57H-2S-1.2C	DF57H-2S-1.2C	B	2	34-32	2.98	2.6	3.15	1.2			
798-DF57H-3S-1.2C	DF57H-3S-1.2C	B	3	34-32	4.18	3.8	4.35	2.4			
798-DF57H-4S-1.2C	DF57H-4S-1.2C	B	4	34-32	5.38	5.0	5.55	3.6			
798-DF57H-5S-1.2C	DF57H-5S-1.2C	B	5	34-32	6.58	6.2	6.75	4.8			
798-DF57H-6S-1.2C	DF57H-6S-1.2C	B	6	34-32	7.78	7.4	7.95	6.0			
798-DF57AH-5S-1.2C	DF57AH-5S-1.2C	B	5	34-28	6.8	6.2	7.1	4.8			
798-DF57AH-6S-1.2C	DF57AH-6S-1.2C	B	6	34-28	8.0	7.4	8.3	6.0			
798-DF57-2S-1.2C	DF57-2S-1.2C	B	2	30-28	2.98	2.6	3.15	1.2			
798-DF57-3S-1.2C	DF57-3S-1.2C	B	3	30-28	4.18	3.8	4.35	2.4			
798-DF57-4S-1.2C	DF57-4S-1.2C	B	4	30-28	5.38	5.0	5.55	3.6			
798-DF57-5S-1.2C	DF57-5S-1.2C	B	5	30-28	6.58	6.2	6.75	4.8			
798-DF57-6S-1.2C	DF57-6S-1.2C	B	6	30-28	7.78	7.4	7.95	6.0			

Contacts

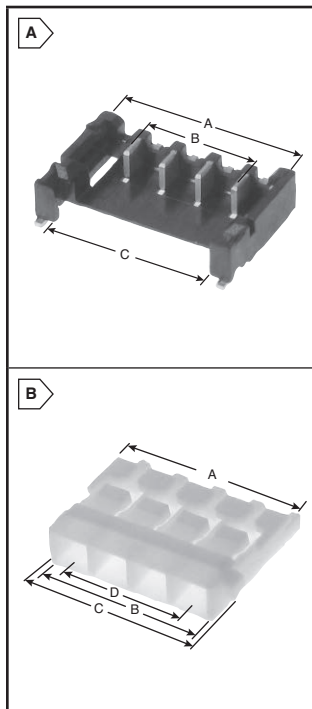
For quantities greater than listed, call for quote.

MOUSER STOCK NO.	Hirose Part No.	AWG	Price Each		
			1	10	50
798-DF573234SCF	DF57-3234SCF	34-32			
798-DF57-2830SCF	DF57-2830SCF	30-28			
798-DF57-2628SCF(41)	DF57-2628SCF(41)	28-26			

Hand Crimping Tool

For quantities greater than listed, call for quote.

MOUSER STOCK NO.	Hirose Part No.	Price Each
798-HT305/DF572830HC	HT305/DF57-2830HC	



DF59 SERIES MULTI FUNCTIONAL CONNECTOR SYSTEM

Features:

- Pitch: 2mm
- High current capability; 3A
- AWG #22: 1.2 to 1.45mm diameter
- Temperature Range: -35°C to 105°C

For quantities greater than listed, call for quote.

MOUSER STOCK NO.	Hirose Part No.	Fig.	No. of Pos.	Type	Gender	Dimensions: mm L x W x H	Price Each			
							1	10	50	100
798-DF59-2S-2V51	DF59-2S-2V(51)	A	2	Header	Female	7.95 x 7.20 x 2.30				
798-DF59-3S-2V51	DF59-3S-2V(51)	A	3	Header	Female	7.95 x 9.20 x 2.30				
798-DF59-4S-2V51	DF59-4S-2V(51)	A	4	Header	Female	7.95 x 11.20 x 2.30				
798-DF59-2P-2FC50	DF59-2P-2FC(50)	B	2	Board to Board Bridge	Male	17.10 x 7.20 x 2.80				
798-DF59-3P-2FC50	DF59-3P-2FC(50)	B	3	Board to Board Bridge	Male	17.10 x 9.20 x 2.80				
798-DF59-4P-2FC50	DF59-4P-2FC(50)	B	4	Board to Board Bridge	Male	17.10 x 11.20 x 2.80				
798-DF59-2P-2C	DF59-2P-2C	C	2	Crimp Housing	Male	8.15 x 7.20 x 2.48				
798-DF59-3P-2C	DF59-3P-2C	C	3	Crimp Housing	Male	8.15 x 9.20 x 2.48				
798-DF59-4P-2C	DF59-4P-2C	C	4	Crimp Housing	Male	8.15 x 11.20 x 2.48				
798-DF59-2P-2SP50	DF59-2P-2SP(50)	D	2	Shorting Plug	Male	7.95 x 7.20 x 2.48				
798-DF59-3P-2SP50	DF59-3P-2SP(50)	D	3	Shorting Plug	Male	7.95 x 9.20 x 2.48				

Contact

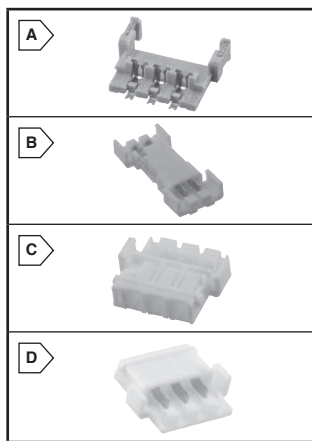
For quantities greater than listed, call for quote.

MOUSER STOCK NO.	Hirose Part No.	Description	Price Each		
			1	100	500
798-DF59-22PCFA	DF59-22PCFA	Male, 22AWG			

Hand Crimping Tool

For quantities greater than listed, call for quote.

MOUSER STOCK NO.	Hirose Part No.	AWG	Price Each
798-HT801DF59-22P	HT801/DF59-22P	22	

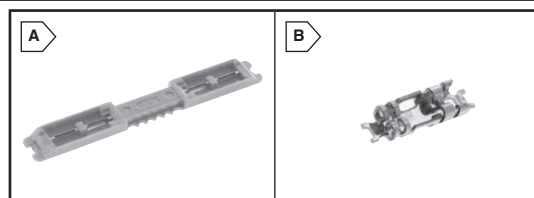


DF59S SERIES - 3-WAY SYSTEM MONO-POLE CONNECTORS

- Board to Board Joint, Wire to Board and Short-Circuit Wire Connection with common receptacle
- Unique "Stress free contact" is provided for ± 0.5 mm floating function in X and Y directions and ± 0.2 mm in Z direction

For quantities greater than listed, call for quote.

MOUSER STOCK NO.	Hirose Part No.	Fig.	Description	Current Rating	Price Each			
					1	10	50	100
798-DF59S-1P-FC24	DF59S-1P-FC(24)	A	Floating Socket	3A				
798-DF59S-1S-V24	DF59S-1S-V(24)	B	Receptacle	3A				

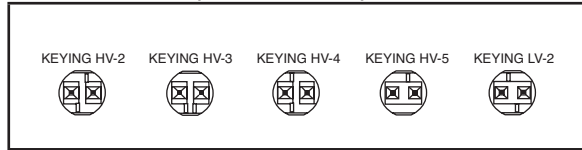


TE CONNECTIVITY Lighting Connectors

RoHS Compliant This product is RoHS compliant.

NECTOR S LINE CONNECTORS

- 7.5mm outer diameter of plug to fit into 8mm furniture holes
- Connector system available in wire-to-wire configuration
- Outlet and Plug assemblies with two contact positions
- Use widely known MOS contacts
- 6 way distributor with additional switch feature



Standard Components, UL Style

For quantities greater than listed, call for quote.

MOUSER STOCK NO.	TE Part No.	Fig.	Keying	Current	Voltage	Price Each			
						1	100	500	1000
Outlet PCB Connector, straight version									
571-293653-1	293653-1	A	HV-2	6A	125 VAC				
571-293653-2	293653-2	A	HV-3	6A	125 VAC				
571-293653-3	293653-3	A	HV-4	6A	125 VAC				
571-293653-4	293653-4	A	HV-5	6A	125 VAC				
571-293653-5	293653-5	A	LV-2	7A	42 VDC				
Outlet PCB Connector, straight angled version									
571-293652-1	293652-1	B	HV-2	6A	125 VAC				
571-293652-2	293652-2	B	HV-3	6A	125 VAC				
571-293652-3	293652-3	B	HV-4	6A	125 VAC				
571-293652-4	293652-4	B	HV-5	6A	125 VAC				
571-293652-5	293652-5	B	LV-2	7A	42 VDC				
Plug PCB Connector, straight version									
571-293655-1	293655-1	C	HV-2	6A	125 VAC				
571-293655-2	293655-2	C	HV-3	6A	125 VAC				
571-293655-3	293655-3	C	HV-4	6A	125 VAC				
571-293655-4	293655-4	C	HV-5	6A	125 VAC				
571-293655-5	293655-5	C	LV-2	7A	42 VDC				
Plug PCB Connector, straight angled version									
571-293654-1	293654-1	D	HV-2	6A	125 VAC				
571-293654-2	293654-2	D	HV-3	6A	125 VAC				
571-293654-3	293654-3	D	HV-4	6A	125 VAC				
571-293654-4	293654-4	D	HV-5	6A	125 VAC				
571-293654-5	293654-5	D	LV-2	7A	42 VDC				
Splitter Serial									
571-293649-1	293649-1	E	(HV4/(HV4/HV2))	6A	125 VAC				
571-293649-2	293649-2	E	(LV2-(LV2/HV2))	6A	125 VAC				
Splitter Parallel									
571-293650-2	293650-2	E	HV-3	6A	125 VAC				
571-293650-1	293650-1	E	HV-4	6A	125 VAC				
571-293650-3	293650-3	E	HV-5	6A	125 VAC				
571-293650-4	293650-4	E	LV-2	7A	42 VDC				
Bridge Connector									
571-293647-1	293647-1	F	HV-4	6A	125 VAC				

Cable Assemblies, UL Style

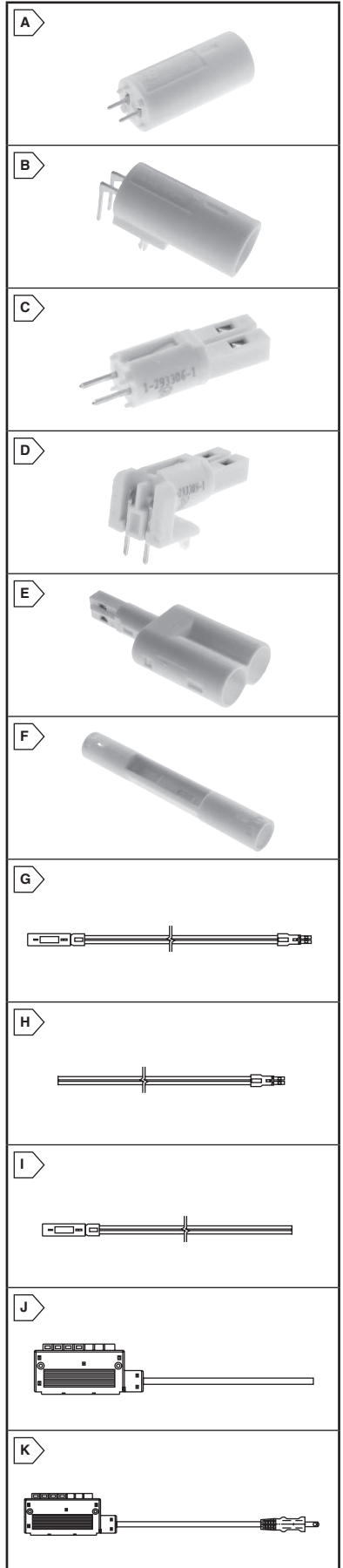
For quantities greater than listed, call for quote.

MOUSER STOCK NO.	TE Part No.	Fig.	Length (ft.)	Cable Type	Keying	Current	Voltage	Price Each			
								1	25	50	100
S Line Plug to Outlet											
571-2181143-1	2181143-1	G	2	SPT-2	HV-3	6A	125 VAC				
571-2181143-4	2181143-4	G	8	SPT-2	HV-3	6A	125 VAC				
571-2181191-1	2181191-1	G	2	SPT-2	HV-4	6A	125 VAC				
571-2181192-1	2181192-1	G	2	SPT-2	LV-2	7A	42 VDC				
571-2181192-4	2181192-4	G	8	SPT-2	LV-2	7A	42 VDC				
571-1-2083073-1	1-2083073-1	G	2	SVT	HV-3	6A	125 VAC				
571-1-2083072-1	1-2083072-1	G	2	SVT	HV-4	6A	125 VAC				
571-2-2083073-1	2-2083073-1	G	2	SVT	LV-2	7A	42 VDC				
S Line Plug to Pigtail											
571-2181148-1	2181148-1	H	2	SPT-2	HV-2	6A	125 VAC				
571-2181148-4	2181148-4	H	8	SPT-2	HV-2	6A	125 VAC				
571-2181193-1	2181193-1	H	2	SPT-2	HV-3	6A	125 VAC				
571-2181193-4	2181193-4	H	8	SPT-2	HV-3	6A	125 VAC				
571-2181194-1	2181194-1	H	2	SPT-2	HV-4	6A	125 VAC				
571-2181195-1	2181195-1	H	2	SPT-2	LV-2	7A	42 VDC				
571-2181195-4	2181195-4	H	8	SPT-2	LV-2	7A	42 VDC				
571-2-2083074-1	2-2083074-1	H	2	SVT	HV-2	6A	125 VAC				
571-1-2083075-1	1-2083075-1	H	2	SVT	HV-3	6A	125 VAC				
571-1-2083074-1	1-2083074-1	H	2	SVT	HV-4	6A	125 VAC				
571-2-2083075-1	2-2083075-1	H	2	SVT	LV-2	7A	42 VDC				
S Line Outlet to Pigtail											
571-2181196-1	2181196-1	I	2	SPT-2	HV-3	6A	125 VAC				
571-2181196-4	2181196-4	I	8	SPT-2	HV-3	6A	125 VAC				
571-2181197-1	2181197-1	I	2	SPT-2	HV-4	6A	125 VAC				
571-2181198-1	2181198-1	I	2	SPT-2	LV-2	7A	42 VDC				
571-2181198-4	2181198-4	I	8	SPT-2	LV-2	7A	42 VDC				
571-1-2083077-1	1-2083077-1	I	2	SVT	HV-3	6A	125 VAC				
571-1-2083076-1	1-2083076-1	I	2	SVT	HV-4	6A	125 VAC				
571-2-2083077-1	2-2083077-1	I	2	SVT	LV-2	7A	42 VDC				

Cable Assemblies, UL Style

For quantities greater than listed, call for quote.

MOUSER STOCK NO.	TE Part No.	Fig.	Description	Length (ft.)	Cable Type	Keying	Current	Voltage	Price Each			
									1	25	50	100
571-1-2083079-1	1-2083079-1	J	S Line 6 Way Distributor Pigtail	8	SVT	LV-2	7A	42 VDC				
571-1-2083081-1	1-2083081-1	J	S Line 6 Way Distributor Pigtail (Switchable)	8	SVT	LV-2	7A	42 VDC				
571-1-2083083-1	1-2083083-1	K	S Line 6 Way Distributor to Powerplug	8	SVT	HV-3	6A	125 VAC				
571-1-2083084-1	1-2083084-1	K	NS Line 6 Way Distributor to Powerplug	8	SVT	HV-2	6A	125 VAC				



NEW AT MOUSER

NEW AT MOUSER

Lighting Connectors

TE Connectivity

NEW AT MOUSER

TE CONNECTIVITY Lighting Connectors

CoolSplice CONNECTORS

Features:

- Simple push button termination
- Easy visual inspection
- Left/right termination independent
- Slim-symmetrical glossy appearance
- Optional sealing
- Standard version KEMA approved
- UL approved
- No wire stripping
- No screws, no sharp edges
- No special tooling, no dirt moistening



For quantities greater than listed, call for quote.

MOUSER STOCK NO.	TE Part No.	Fig.	Description	Price Each			
				1	25	50	100
571-293545-1	293545-1	A	Unsealed clear connector (green buttons) 18AWG				
571-293545-2	293545-2	A	Sealed clear connector (blue buttons) 18AWG				
571-293545-3	293545-3	A	Unsealed yellow connector (green buttons) 20-22AWG				
571-293545-4	293545-4	A	Sealed yellow connector (blue buttons) 20-22AWG				
571-5-293521-1	5-293521-1	B	4p Ribbon IDC Sealed Splice - Clear				
571-5-293522-1	5-293522-1	C	4p Ribbon IDC end cap with Bridge; Blue				
571-5-293522-2	5-293522-2	C	4p Ribbon IDC end cap without Bridge; Green				

SlimSeal LOW POWER SEALED LIGHTING CONNECTORS

Features:

- Wire-to-wire and wire-to-board (vertical and right angle)
- 18-24AWG stranded wire
- Positive integral latching
- Polarized connectors
- Pre-assembled seals and wire guides
- IP67 rating
- UV resistance (wire-to-wire)

Applications:

- Billboards
- Live events lighting
- Wall wash lighting
- Spot lighting
- Street lighting
- Tunnel lighting
- Flood lights
- LED strip lighting

For quantities greater than listed, call for quote.

MOUSER STOCK NO.	TE Part No.	Fig.	No. of Positions	Description	Price Each		
					1	25	50
571-2106135-2	2106135-2	D	2	Wire-to-wire Plug			
571-2106135-4	2106135-4	D	4	Wire-to-wire Plug			
571-2106136-2	2106136-2	E	2	Wire-to-wire Receptacle			
571-2106136-4	2106136-4	E	4	Wire-to-wire Receptacle			
571-2106053-2	2106053-2	F	2	Vertical Header, SMT			
571-2106053-6	2106053-6	F	4	Vertical Header, SMT			
571-2106056-2	2106056-2	G	2	Right Angle Header, SMT			
571-2106056-8	2106056-8	G	4	Right Angle Header, SMT			
Contacts							
571-2106123-2	2106123-2	-	-	18-20 AWG Receptacle Contact			
571-1-2106123-2	1-2106123-2	-	-	22-24 AWG Receptacle Contact			
571-2106124-9	2106124-9	-	-	18-20 AWG Blade Contact			
571-2-2106124-7	2-2106124-7	-	-	22-26 AWG Blade Contact			

IDC SSL CONNECTORS

Features:

- SMT and thru-hole
- Closed end and feed through
- 18-24AWG stranded and solid wire
- Dual IDC slots for redundancy
- Wire placement "viewing" window
- Wire gauge color coded
- Tool-less termination

Applications:

- LED lighting controls
- General illumination LED fixtures
- Connecting strings of pcb LED light modules
- Non-lighting wire-to-board applications

For quantities greater than listed, call for quote.

MOUSER STOCK NO.	TE Part No.	Fig.	No. of Positions	AWG	Dim. "D" mm (in.)	Color	Price Each		
							1	25	100
Closed End SMT									
571-2106003-2	2106003-2	H	2	18	9.70 (.382)	Yellow			
571-2106003-3	2106003-3	H	3	18	13.70 (.539)	Yellow			
571-1-2106003-2	1-2106003-2	H	2	20	9.70 (.382)	Blue			
571-1-2106003-3	1-2106003-3	H	3	20	13.70 (.539)	Blue			
571-2-2106003-2	2-2106003-2	H	2	22	9.70 (.382)	Green			
571-2-2106003-3	2-2106003-3	H	3	22	13.70 (.539)	Green			
571-3-2106003-2	3-2106003-2	H	2	24	9.70 (.382)	Red			
Feed Through SMT									
571-2106431-2	2106431-2	I	2	18	9.70 (.382)	Yellow			
571-2106431-3	2106431-3	I	3	18	13.70 (.539)	Yellow			
571-1-2106431-2	1-2106431-2	I	2	20	9.70 (.382)	Blue			
571-2-2106431-2	2-2106431-2	I	2	22	9.70 (.382)	Green			
571-2-2106431-3	2-2106431-3	I	3	22	13.70 (.539)	Green			
571-3-2106431-2	3-2106431-2	I	2	24	9.70 (.382)	Red			
Closed End-Through Hole									
571-2106489-2	2106489-2	J	2	18	9.70 (.382)	Yellow			
571-1-2106489-2	1-2106489-2	J	2	20	9.70 (.382)	Blue			
Feed Through-Through Hole									
571-2106751-2	2106751-2	K	2	18	9.70 (.382)	Yellow			
571-1-2106751-2	1-2106751-2	K	2	20	9.70 (.382)	Blue			

BOARD-TO-BOARD SCREW DOWN JUMPER ASSEMBLY

Features:

- 2 position connection assembly
- Fits onto 16.50mm wide PCB
- 7.0mm PCB spacing
- #6 screw (not included) secures assembly to heat sink or base

Applications:

- T8-T12 fluorescent retrofit LED bulbs
- LED lighting strips
- LED lighting controls
- Channel lettering

For quantities greater than listed, call for quote.

MOUSER STOCK NO.	TE Part No.	Fig.	Description	Price Each		
				1	25	100
571-2106154-1	2106154-1	L	Screw Down Jumper Assembly			

G13 STYLE SMT ASSEMBLY AND END CAP

Features:

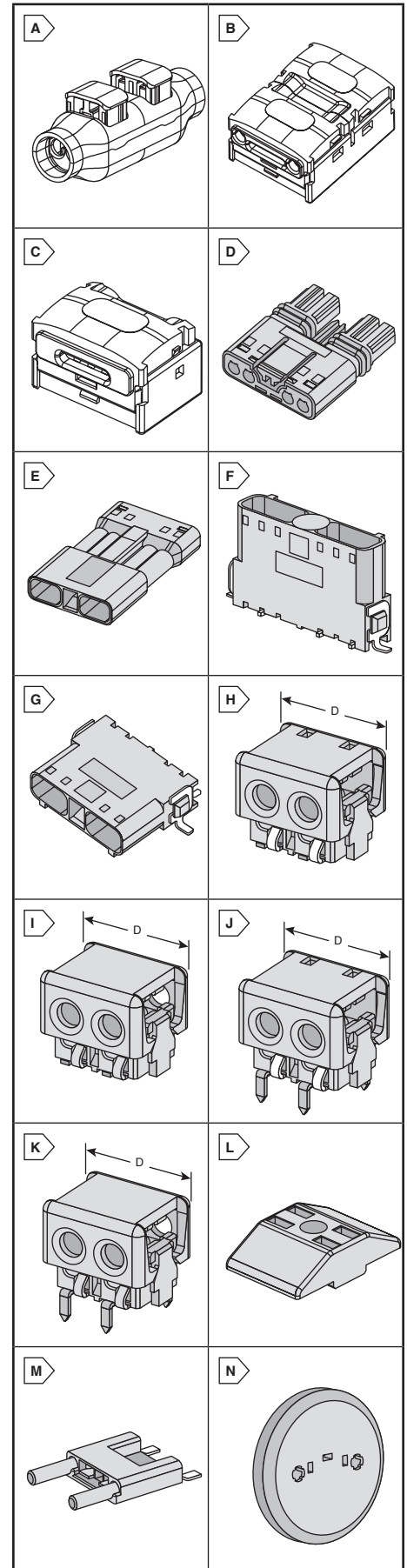
- 2 position G13 Style SMT Assembly
- The End Cap Cover is designed to interface with G13 Style SMT assembly, heat sink and tube
- 0.5" pin centerline per G13 specification
- High temperature material for reflow processing

Applications:

- Standard T8 and T12 fluorescent fixtures

For quantities greater than listed, call for quote.

MOUSER STOCK NO.	TE Part No.	Fig.	Description	Price Each		
				1	25	100
571-2106150-1	2106150-1	M	G13 Style SMT Assembly			
571-2106646-1	2106646-1	N	End Cap Cover			



Lighting Connectors TE Connectivity

TE CONNECTIVITY Lighting Connectors

RoHS Compliant This product is RoHS compliant.

HERMAPHRODITIC BLADE AND RECEPTACLE CONNECTORS

Features:

- Available in 2, 4, and 6 Positions
- Connector Mates to Itself
- Single Part to be Stocked and Placed onto PCB per Position
- Connector Mates and Unmates Horizontally and Vertically -3 Axis Mating

- Connector can be Articulated from 90° to 180°
- Solder Pad Footprint Compatible with TE SMT
- Poke-In LED Connector
- Redundant SMT Pads

Applications:

- LED Lighting Modules
- Incandescent Lighting Strips
- Channel Lettering

Board to Board

For quantities greater than listed, call for quote.

MOUSER STOCK NO.	TE Part No.	Fig.	No. of Positions	Color	Price Each		
					1	25	100
Without Latches							
571-1954289-1	1954289-1	A	2	White			
571-1-1954289-1	1-1954289-1	A	2	Black			
571-1-1954289-2	1-1954289-2	A	4	Black			
With Latches							
571-2058703-1	2058703-1	B	2	White			
571-1-2058703-1	1-2058703-1	B	2	Black			
571-2058703-3	2058703-3	B	6	White			
571-1-2058703-3	1-2058703-3	B	6	Black			
Dust Covers							
571-2058128-1	2058128-1	C	2	White			
571-2058128-3	2058128-3	C	6	White			

Wire to Board

For quantities greater than listed, call for quote.

MOUSER STOCK NO.	TE Part No.	Fig.	No. of Positions	Color	Price Each		
					1	25	100
571-2058299-1	2058299-1	D	2	White			
571-1-2058299-1	1-2058299-1	D	2	Black			
571-2058299-2	2058299-2	D	4	White			
571-2058299-3	2058299-3	D	6	White			

Contacts

For quantities greater than listed, call for quote.

MOUSER STOCK NO.	TE Part No.	Fig.	Description	Price Each		
				1	25	100
571-2058301-2	2058301-2	E	Blade Contact			
571-2058302-2	2058302-2	F	Socket Contact			

INVERTED SMT THRU BOARD CONNECTORS

Features:

- Eliminates wire dress management issues with discreet wire leads around the surface of the LED pc board
- Accepts 2 thru 6 Position TE Mini CT connector
- Low profile design
- Rounded corners to minimize shadowing
- Surface mount hold downs provide stability during mating and unmating

Applications:

- LED lighting controls
- Indoor and outdoor lighting fixtures
- General LED illumination fixtures
- Various non-lighting applications that require wire dress connections below the pc board

Connectors

For quantities greater than listed, call for quote.

MOUSER STOCK NO.	TE Part No.	Fig.	No. of Positions	Price Each		
				1	25	100
571-2106091-1	2106091-1	G	2			
571-2106091-2	2106091-2	G	3			
571-2106091-3	2106091-3	G	4			
571-2106091-4	2106091-4	G	5			
571-2106091-5	2106091-5	G	6			

Mini CT Cable Assemblies

For quantities greater than listed, call for quote.

MOUSER STOCK NO.	TE Part No.	Fig.	No. of Positions	Price Each		
				1	25	100
571-2058943-1	2058943-1	H	2			
571-2058943-2	2058943-2	H	3			
571-2058943-3	2058943-3	H	4			
571-2058943-5	2058943-5	H	6			

MICRO POKE-IN WIRE SSL CONNECTOR

Features:

- Small size: 8.2mm (L) x 3.3mm (W) x 2.475mm (H)
- Long product lifetime: 40,000 hours
- Wire retention force: 6N
- Salt spray test qualification
- Creepage distance: 1.5mm
- High speed for SMT processes
- RoHS compliant
- Accepts 24 and 26AWG solid wire
- Low profile flat surface allows for vacuum pick up
- High temperature material for type reflow processes
- Tape and reel packaging

Applications:

- LED channel letter lighting strips
- General illumination LED fixtures
- Architectural cove and valence lighting
- Digital signage
- LED Module
- Available for COB application
- Various non-lighting applications that require attaching flying leads to printed circuit boards

For quantities greater than listed, call for quote.

MOUSER STOCK NO.	TE Part No.	Fig.	No. of Positions	Description	Price Each			Reel Quantity	Price Per Piece
					1	25	100		
571-2134611-1	2134611-1	I	1	SMT, white			2000		

LIGHT-N-LOK™ CONNECTORS

Features:

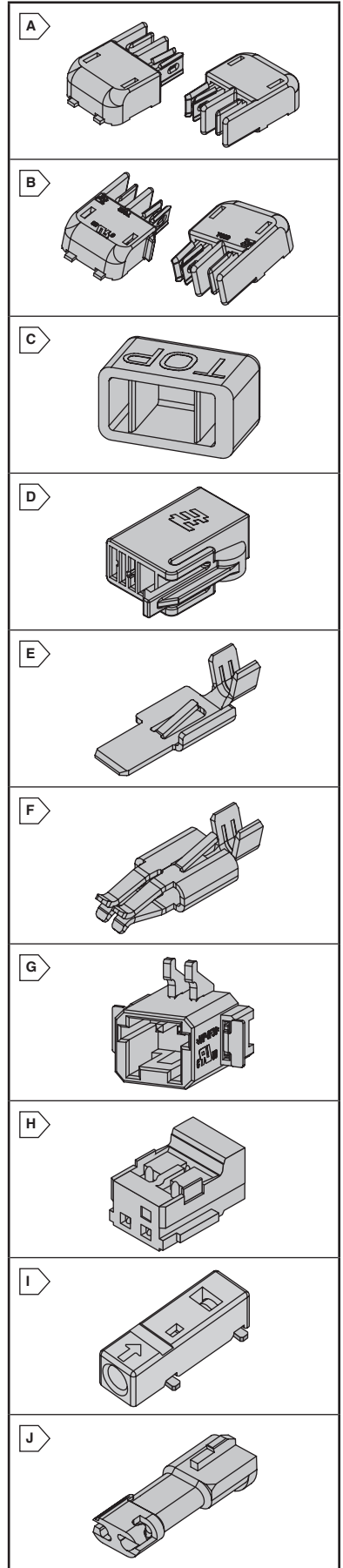
- Available in 2 and 3 position sizes
- Poke-in termination for 18AWG solid wire for easy tool-less, field or factory installation
- Integral strain-relief prevents inadvertent wire twist out and pull out
- Designed for hot plugging
- Snag-resistant rounded housings
- Connector latches prevent unintentional disconnect

Applications:

- Commercial lighting applications for UL2459
- Hot-pluggable interconnect for fluorescent ballast applications
- Meets new NEC and CEC requirements

For quantities greater than listed, call for quote.

MOUSER STOCK NO.	TE Part No.	Fig.	No. of Positions	Description	Price Each		
					1	25	100
571-2008144-1	2008144-1	J	2	Mated Pair, Plug and Receptacle			
571-2008152-1	2008152-1	J	3	Mated Pair, Plug and Receptacle			



TE CONNECTIVITY Lighting Connectors

RoHS Compliant This product is RoHS compliant.

LED HOLDER, TYPE LH

Features:

- For use with the Philips Lumileds LUXEON® H LED array
- -40°C to 110°C continuous operating temperature
- Fits within less than a 28mm diameter area
- Lower than 2mm in profile height
- Securely fastens to the heat sink with two M3 or #4 sized mounting screws (not provided)

Applications:

- Ideal for space constrained, cost sensitive and visually appealing designs
- Retrofit bulbs (GU10, A19 and Candle bulbs)
- Track lighting
- Under cabinet lighting

PRODUCT NEW

For quantities greater than listed, call for quote.

MOUSER STOCK NO.	TE Part No.	Fig.	Description	Price Each		
				1	10	25
571-2154821-1	2154821-1	A	LED clamp, Type LH Solderless LED Socket			

SOLDERLESS LED SOCKET, TYPE SMIZ

Features:

- Poke in 24AWG solid tin wire termination
- UV resistant housing material
- Two screw attachment to heat sink using M2 screws
- Locator posts on housing to aid in positioning connector on heat sink
- Designed to work with the Sharp Mini Zenigata LED

Applications:

- LED replacement lamp
- Architectural illumination
- Spotlights
- Mobile lighting
- Area and object lighting

PRODUCT NEW

For quantities greater than listed, call for quote.

MOUSER STOCK NO.	TE Part No.	Fig.	Description	Price Each		
				1	10	25
571-2174306-1	2174306-1	B	Solderless LED SKT Type SMIZ			

SOLDERLESS LED SOCKET, TYPE BR

Features:

- Solderless Termination To Bridgelux RS LED
- Poke-in wire terminals accept the following:
 - 18 - 22AWG solid wires
 - 18 - 20AWG pre-bond wires
 - 18AWG stranded wire
- Cleared area designated for reflector mounting

- LED retained in housing with slight press-fit (LED not included)
- Four screw attachment using M3 or #4 screws
- Integrated features for polarization on heat sink
- Features molded in to provide wire strain relief

Applications:

- Retail lighting
- Commercial down lights
- High bay lighting

For quantities greater than listed, call for quote.

MOUSER STOCK NO.	TE Part No.	Fig.	Description	Price Each		
				1	10	25
571-2154455-1	2154455-1	C	Socket Assembly, Solderless BR LED			

SOLDERLESS LED SOCKETS, TYPE CM

- For use with Cree XLamp® MP-L™ LED
- Positive positioning ribs
- Hex holes for optional interference fit optics attachment
- Snap features for optics attachment

PRODUCT NEW

For quantities greater than listed, call for quote.

MOUSER STOCK NO.	TE Part No.	Fig.	Description	Price Each		
				1	10	25
571-2106946-1	2106946-1	D	Wire-to-board, without optics latch			
571-2106946-2	2106946-2	E	Wire-to-board, with optics latch			
571-2106946-3	2106946-3	F	Board-to-board, without optics latch			
571-2106946-4	2106946-4	G	Board-to-board, with optics latch			
571-2106946-5	2106946-5	H	Inverted through board with optics latch			
571-2106946-6	2106946-6	I	Inverted through board without optics latch			

SOLDERLESS LED SOCKET, TYPE NL2

Features:

- Solderless Termination to Nichia COB-L series LED
- LED retained in housing with slight press-fit (LED not included)
- UV resistant housing material
- Molded polarity indicator on housing

Applications:

- Retail Lighting
- Commercial down lights
- High bay lighting

PRODUCT NEW

For quantities greater than listed, call for quote.

MOUSER STOCK NO.	TE Part No.	Fig.	Description	Price Each		
				1	10	25
571-2174024-1	2174024-1	J	Solderless LED Socket, Type NL2			

LOW VOLTAGE DC GRID INTERCONNECTS

Features:

- Releasable latching
- Polarized housings
- Plenum rated

Applications:

- Power Feed Cable Assembly
- Load (Device) Cable Assembly
- Bus Bar to Bus Bar Cable Assembly
- External Bus Bar (Fixture or Device) Connector
- Internal Bus Bar (Fixture or Device) Connector

For quantities greater than listed, call for quote.

MOUSER STOCK NO.	TE Part No.	Fig.	Description	Length (ft)	Price Each		
					1	10	25
571-2106725-1	2106725-1	K	Power Feed Cable Assembly	5			
571-2106725-2	2106725-2	K	Power Feed Cable Assembly	10			
571-2106725-4	2106725-4	K	Power Feed Cable Assembly	20			
571-2106728-1	2106728-1	L	Bus Bar to Bus Bar Cable Assembly	3			
571-2106718-1	2106718-1	M	Load (Device) Cable Assembly	5			
571-2106718-2	2106718-2	M	Load (Device) Cable Assembly	10			
571-2106739-1	2106739-1	N	External Bus Bar (Fixture or Device) Connector	---			
571-2106710-1	2106710-1	O	Internal Bus Bar (Fixture or Device) Connector	---			

SMT AND THRU-HOLE POKE-IN WIRE LIGHTING CONNECTORS

Features:

- Tape and Reel Packaging for High Speed SMT Processes
- RoHS Compliant Redundant SMT Pads Prevents Peeling
- Rounded Corners to Minimize Shadowing
- Side to Side Stackable with Pads on 4mm Centers
- Accepts 18, 20, 22AWG Solid Wire; 18, 20AWG Prebond Stranded; 18AWG Stranded (16 Strands Only)
- Cost Effective Alternative to Hand Soldering Wires
- Low profile Design
- Flat Top Surface Allows for Vacuum Pick Up
- High Temperature Material for Reflow Processing

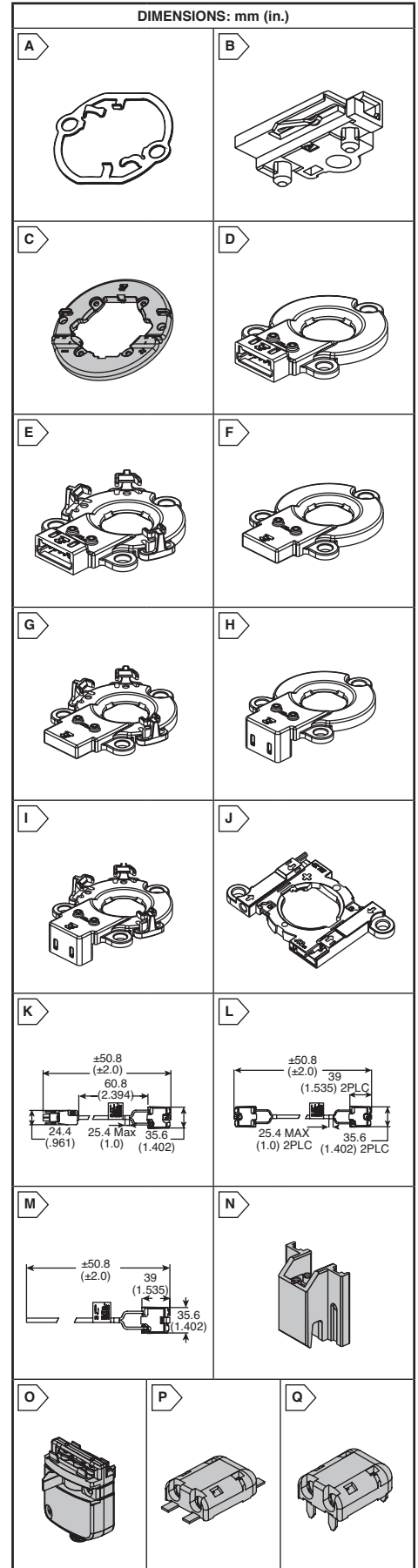
Applications:

- Lighting Controls
- Interconnecting Strings of Printed Circuit LED Light Modules

Standard

For quantities greater than listed, call for quote.

MOUSER STOCK NO.	TE Part No.	Fig.	No. of Positions	Description	Price Each			Reel Quantity	Price Per Piece
					1	25	100		
571-2008563-1	2008563-1	P	1	SMT, white				500	
571-1954097-1	1954097-1	P	2	SMT, white				800	
571-2008839-1	2008839-1	Q	1	Thru-Hole, white				500	
571-2008106-1	2008106-1	Q	2	Thru-Hole, white				600	



Lighting Connectors TE Connectivity

ALPS Small Memory Card Connectors

ALPS

ALPS SCGD SERIES PUSH-PUSH TYPE MICROSIM CARD CONNECTOR

RoHS Compliant This product is RoHS compliant.

Features:

- Compatible with microSIM cards (8-pin)
- Normally closed switch contributes to lower power consumption
- Industry's smallest push-push type connector

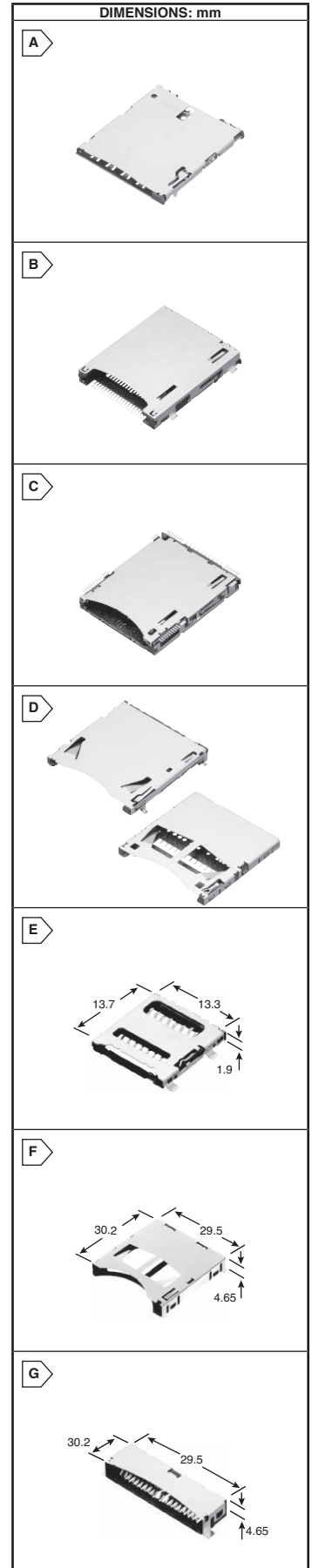
Applications:

- Mobile phones, smartphones, tablet PCs, notebook PCs, and other mobile devices



For quantities greater than listed, call for quote.

MOUSER STOCK NO.	Alps Part No.	Fig.	Description	Price Each			
				1	25	50	100
688-SCGD1B0100	SCGD1B0100	A	Push-push type, height 1.25mm, Thru-hole connector				
688-SCGD1B0201	SCGD1B0201	A	Push-push type, height 1.25mm, SMT connector				



ALPS SERIES SCDG4 SERIES LOW-PROFILE 4 IN 1 COMBINE TYPE CARD CONNECTOR

Features:

- SD memory cards
- Memory sticks
- Multimedia-Cards™
- Xd-Picture Cards



For quantities greater than listed, call for quote.

MOUSER STOCK NO.	Alps Part No.	Fig.	Stand-off (mm)	Mounting System	Features	Packaging Type	Price Each			
							1	25	50	100
688-SCDG4B0100	SCDG4B0100	B	0mm	Standard	Thin with a thickness of 4.2mm	Taping				

ALPS SCDG6 SERIES LOW-PROFILE COMBINE TYPE CONNECTOR

Features:

- Support media; SD/MMC/MS Duo/MS PRO-HG Duo
- Our unique cam structure contributes to mis-insertion for MS Duo
- Compact and low-profile size of 29.8x31.4x4.4mm(WxDxH)
- High reliable write protect switch achieved by sliding contact
- Standard and reverse mount type also available

Applications:

- Note PCs, desktop PCs, printers, digital photo frames, mobile devices



For quantities greater than listed, call for quote.

MOUSER STOCK NO.	Alps Part No.	Fig.	Stand-off (mm)	Mounting System	Features	Packaging Type	Price Each			
							1	25	50	100
688-SCDG6A0100	SCDG6A0100	C	0mm	Standard	With boss	Taping				

ALPS SCDA SERIES CONNECTOR FOR MEMORY CARD

Applications:

- Note PCs, desktop PCs, printers, digital photo frames, mobile devices



For quantities greater than listed, call for quote.

MOUSER STOCK NO.	Alps Part No.	Fig.	Stand-off (mm)	Mounting System	Features	Packaging Type	Price Each			
							1	25	50	100
688-SCDA9A0400	SCDA9A0400	D	0mm	Standard	Inner tail, Card eject stroke 5mm	Taping				
688-SCDA7A1201	SCDA7A1201	D	1.8mm	Standard	Outer tail, Card eject stroke 8mm	Taping				

ALPS CONNECTORS AND ADAPTERS FOR microSD CARDS

Features:

- Improved quality
- Good operational feel

Specifications:

- Surface type mounting
- Push-push type
- 500VAC 1 minute
- 5000 cycles

Applications:

- Mobile phones
- PDA's
- Digital still cameras
- Compact audio equipment

For quantities greater than listed, call for quote.

MOUSER STOCK NO.	Alps Part No.	Fig.	Description	Price Each			
				1	25	50	100
688-SCHD1A0101	SCHD1A0101	E	Manual insertion/removal, Surface mount, Connector-header type				

ALPS CONNECTORS FOR W-SIM CARDS

Features:

- Improved operability from long ejection stroke (mm) and clear click feel
- Good operational feel
- Double contact-point for power and ground reduces risk of temporary power failure
- Compact and low-profile suitable for portable devices

Specifications:

- Mating/unmating cycles: 10,000 cycles
- Operating temperature range: -25°C to +60°C
- Voltage proof: 500VAC 1 minute
- Insulation resistance (Initial): 1,000M Ω min.
- Contact resistance (Initial): 100m Ω max.

Applications:

- For mobile phones, PCs, and personal digital assistants

For quantities greater than listed, call for quote.

MOUSER STOCK NO.	Alps Part No.	Fig.	Stand-off (mm)	Mounting System	Features	Packaging Type	Price Each			
							1	25	50	100
688-SCZA1A0100	SCZA1A0100	F	0	Standard mount	Without boss L type	Tray				
688-SCZA1A0200	SCZA1A0200	F	0	Standard mount	With boss L type	Tray				
688-SCZA1A0500	SCZA1A0500	F	0	Standard mount	Without boss 1.2mm type	Tray				
688-SCZA1A0600	SCZA1A0600	F	0	Standard mount	With boss 1.2mm type	Tray				
688-SCZA2A0100	SCZA2A0100	G	0	Standard mount	With boss L type	Tray				
688-SCZA2A0200	SCZA2A0200	G	0	Standard mount	Without boss 0.6mm type	Tray				

ALPS Memory Card

RoHS Compliant This page of product is compliant.

SIM CONNECTORS

MOUSER STOCK NO	AVX Part No.	Fig.	No. of Contacts	Description	Height	Price Each			
						1	25	100	250
581-009162006301150	009162006301150	A	6	SMT with Locking Hinged Guide	2.50mm				
581-009162006401070	009162006401070	B	6	SMT Slide in, Low Profile	1.60mm				
581-00-9162006206175	009162006206175	B	6	SMT Slide in, Standard	1.75mm				
581-009162006501150	009162006501150	C	6	SIM and SD Micro Combination	2.70mm				
581-045036006200862+	045036006200862+	D	6	With Boss, without Lock	2.40mm				
581-055036006202862+	055036006202862+	E	6	Without Boss, with Lock	2.40mm				

SD CARD CONNECTORS

MOUSER STOCK NO	AVX Part No.	Fig.	Description	Height	Price Each			
					1	25	100	250
581-145638109211859+	145638109211859+	F	Reverse type, Outer tail, without ejector	2.9mm				
581-145738009302859+	145738009302859+	G	Normal type, Inner tail	2.9mm				
581-145738009784859+	145738009784859+	G	Normal type, Outer tail	2.8mm				

COMPACT FLASH

* Ejectors and connectors are sold separately

MOUSER STOCK NO	AVX Part No.	Fig.	Description	Price Each			
				1	25	100	250
Connectors							
581-315610050500871+	315610050500871+	H	Type I, Normal, related ejectors 305610000005000+ and 305610000006000+				
581-315610050260871+	315610050260871+	H	Type I, Reverse, related ejectors 305610000005000+ and 305610000006000+				
581-315620050116871+	315620050116871+	H	Type II, Normal, related ejector 305620000006000+				
Ejectors - With Foldable Button							
581-305610000005000+	305610000005000+	---	Left Side, related connectors 315610050500871+ and 315610050500871+				
581-305610000006000+	305610000006000+	---	Right Side, related connectors 315610050500871+ and 315610050500871+				
581-305620000006000+	305620000006000+	---	Right Side, related connectors 315620050116871+ and 315620050716871+				

DIN 41612 CONNECTORS

* With keying system

MOUSER STOCK NO	AVX Part No.	Fig.	No. of Rows	No. of Contacts	Gender	Style	Termination Length	Loading Description	Price Each		
									1	10	25
Solder Termination, Straight											
581-20845764125	208457064001025	I	2	64	Female	B	4.5mm	a and b loaded			
581-20845796125	208457096001025	I	3	96	Female	C	4.5mm	a, b, c loaded			
581-20845796225	208457096002025	I	3	96	Female	C	2.9mm	a, b, c loaded			
Solder Termination, Right-Angle											
581-10845796125	108457096001025	I	3	96	Male	C	3.4mm	a, b, c loaded			
581-10845796225	108457096002025	I	3	96	Male	C	3.0mm	a, b, c loaded			
* 581-12845796225	128457096002025	I	3	96	Male	C	3.0mm	a, b, c loaded			
581-10845796226	108457096002026	I	3	64	Male	C	3.0mm	a and c loaded			
581-10845716225	108457160002025	I	5	160	Male	C Expanded	3.0mm	a, b, c, d, e loaded			
Solder Termination-Inverted, Straight											
581-10847796225	108477096002025	J	3	96	Male	R	4.5mm	a, b, c loaded			
Solder Termination-Inverted, Right-Angle											
581-20847796225	208477096002025	J	3	96	Female	R	3.0mm	a, b, c loaded			
Varipin™ Press-Fit Termination, Straight											
581-20845896125	208458096001025	K	3	96	Female	C	5.3mm	a, b, c loaded			
581-208458128125	208458128001025	K	4	128	Female	C Expanded	5.3mm	a, b, c, d loaded			

7E50 SERIES COMPACTFLASH™ TYPE II CARD HEADERS - SURFACE MOUNT

Features:

- RoHS Compliant per 3M documentation
- Mates with CompactFlash™ Type I and Type II cards
- Meets CFA standards for known compatibility and reliability
- Extended guide rails enable accurate and easy card insertion
- Guide rail ESD clip contacts board ground pads
- Single row surface mount solder tails facilitate auto placement and IR soldering

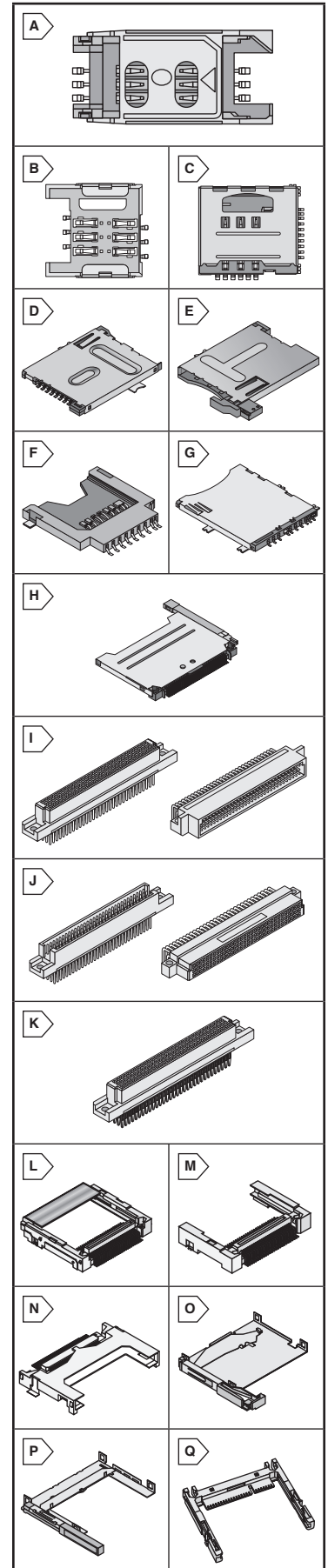
MOUSER STOCK NO.	3M Part No.	Fig.	Type	Plating	Board Standoff	Price Each		
						1	25	50
With Metal Brace								
517-N7E50-M516B-50-W	N7E50-M516RB-50-WF	L	Normal Type	30µ" Gold	2.00mm			
Without Metal Brace								
517-N7E50-Q516B-50-W	N7E50-Q516RB-50-WF	M	Normal Type	30µ" Gold	2.00mm			
517-N7E50-7516PG-20	N7E50-7516PG-20	N	Normal	Gold Flash	1.64mm			
517-N7E50-7516PK-20	N7E50-7516PK-20	N	Normal	Gold Flash	1.64mm			
Ejectors								
517-7E50-B316-04	7E50-B316-04	-		Right Hand Eject CFII				
517-7E50-B716-05	7E50-B716-05	O		CFII NRIL Latching				
517-7E50-B516-05	7E50-B516-05	P		CFII Dual Push				

N7G24 SERIES HEADERS AND ACCESSORIES FOR CFAST™ CARD

CFAST is a new CompactFlash Association (CFA) standard evolved from the familiar CompactFlash® Card format incorporating the Serial Advanced Technology Attachment (SATA) architecture

- Long guide rails
- Elevated height (2mm)
- High durability
- Optional ejector/retainer system
- Single connector for Type I and II

MOUSER STOCK NO.	3M Part No.	Fig.	Type	Plating	Board Standoff	Price Each			
						1	25	50	100
Headers									
517-N7G24A0B2RB000HT	N7G24-A0B2RB-00-0HT	Q	Normal	30µ" Gold	-				
517-N7G24A0B2RB100HT	N7G24-A0B2RB-10-0HT	Q	Normal	15µ" Gold	2.00mm				
Ejectors									
517-7G24-B516-05	7G24-B5A6-05	P	-	Right Dual Push Ejector	-				
517-7G24-B616-05	7G24-B6A6-05	P	-	Left Dual Push Ejector	-				
Accessories									
517-7E50-C016-00-HT	7E50-C016-00-HT	-	-	Retaining Clip	-				



Memory Card

AVX

JAE SIM and DIMM Sockets and Memory Card Connectors

Technology to Inspire Innovation



SF50 SERIES MICRO SIM CARD CONNECTORS

RoHS Compliant This product is RoHS compliant.

- Simple structure and easy to operate pull lever is used for card insertion and removal
- Balanced 6 hold-down points for EMI countermeasure
- Location of pull lever is available in left and right side
- Industry's lowest-in-class-height of 1.2mm and smallest-in-class mounting area (13.6mm width, 15.6mm depth) for a pull lever type
- Pb-free, halogen-free compliant product



For quantities greater than listed, call for quote.

MOUSER STOCK NO.	JAE Part No.	Fig.	Description	Price Each			
				1	10	25	50
656-SF50S006V4AR1500	SF50S006V4AR1500	A	6P 1.2mm Micro SIM, Left Side Pull-Bar				
656-SF50S006V4CR1500	SF50S006V4CR1500	A	6P 1.2mm Micro SIM, Right Side Pull-Bar				

SF2, SF7 AND SF9 SIM CARD SMT CONNECTORS

- Supports GSM 11.11 standard compliant plug-in SIM Card
- Super low profile with a height of 0.5mm from the board
- Easy operation hinge slide lock mechanism
- Space saving tray type design
- RoHS Compliance per JAE documentation

For quantities greater than listed, call for quote.

MOUSER STOCK NO.	JAE Part No.	Fig.	Description	Price Each			
				1	10	25	50
656-SF2W006S4KE3000	SF2W006S4KE3000	B	6P SMT SIM Contact Block				
656-SF7W006S4ER1500	SF7W006S4ER1500	C	8P 1.9mm Height, Tray Type, with D-SW				
656-SF7W006S1AE1000	SF7W006S1AE1000	D	6P 2.3mm Height				
656-SF7W006S1BE1000R	SF7W006S1BE1000R	D	6P 2.3mm Height with out polarizing boss				
656-SF7W008S1AE900	SF7W008S1AE900	D	8P 2.5mm Height with D-SW				
656-SF9W006S4AR1200	SF9W006S4AR1200	E	6P 1.8mm Height, Connector only				
656-SF9W006S4BR1200	SF9W006S4BR1200	E	6P 1.8mm Height, Connector only (SUB PCB)				
656-SF9-STS1-A	SF9-STS1-A	F	Tray only, A type				
656-SF9-STR1-B	SF9-STR1-B	F	Tray only, B type				

SMALL MEMORY CARD CONNECTORS

- Small and low profile connectors
- Contact Resistance: 100mΩ or less
- Push-push structure to minimize space
- Rated Current: 0.5A
- RoHS Compliance per JAE documentation
- Insulation Resistance: 1000MΩ or more

* Smallest in class 1.4mm H/15.5mm D, 11.9mm W

For quantities greater than listed, call for quote.

MOUSER STOCK NO.	JAE Part No.	Fig.	Description	Price Each			
				1	10	25	50
656-ST1W008S4GR300	ST1W008S4GR300	G	8P microSD Push-slide Hinge Type				
656-ST1W008S4AR1500	ST1W008S4AR1500	H	8P microSD™ Push-slide Hinge Type "Open"				
656-ST1W008S4ER1500	ST1W008S4ER1500	H	8P microSD™ Push-slide Hinge Type "Lock/Unlock"				

JC26 SERIES COMPACTFLASH® TYPE I/II CONNECTORS

- Slot mechanism compliant with CFA (Compact Flash Association) Type I/II Card
- Designed with spring-loaded mechanism to prevent card from coming out
- RoHS Compliance per JAE documentation
- 1.6mm Stand-Off option: 7.4mm height on board

For quantities greater than listed, call for quote.

MOUSER STOCK NO.	JAE Part No.	Fig.	Description	Price Each			
				1	10	25	50
656-JC26A-BB16E	JC26A-BB16E	I	50P Side pin connector without frame, 1.6mm Stand-Off				
656-JC26A-BBE	JC26A-BBE	I	50P Side pin connector without frame, with Boss				
656-JC26C2-DRL16E	JC26C2-DRL16E	I	50P Side pin connector with frame, reverse mount				
656-JC26C2-FSH16E	JC26C2-FSH16E	I	50P Left fixed button, 1.6mm Stand-Off				
656-JC26E-BBE	JC26E-BBE	I	50P Side pin connector without frame, with Boss				
656-JC26E-DSRE	JC26E-DSRE	I	50P Side pin connector with frame, Top Mount				

MM60 SERIES MODULE SOCKETS

- Compatible with PCI Express Mini Card
- Retention latch part available to fix module to connector
- Module socket compatible with specifications standardized by the PCI-SIG
- Compatible with PCI Express Mini Card
- Used for connecting modules with PCI Express and USB transmission
- Module mounting heights allow components of under 1.8mm height to be placed below the module
- RoHS Compliance per JAE documentation



For quantities greater than listed, call for quote.

MOUSER STOCK NO.	JAE Part No.	Fig.	Description	Price Each			
				1	10	25	50
656-MM60-52C2R1R1200	MM60-52C2-R1-R1200	J	52P Card Socket 2.13mm Height				
656-MM60-52B1-B1-R	MM60-52B1-B1-R850	J	52P Card Socket 3.9mm Height				
656-MM6052B1G1R850	MM60-52B1-G1-R850	J	52P Card Socket 4.0mm Height				
656-MM60-52B1-E1-R	MM60-52B1-E1-R650	J	52P Card Socket 5.9mm Height				
656-MM60-EZH039-B5-R	MM60-EZH039-B5-R850	K	Latch with Boss For 3.9mm Socket				
656-MM60-EZH059-B5-R	MM60-EZH059-B5-R650	K	Latch with Boss For 5.9mm Socket				
656-NT1R3000	NT1R3000	-	Stand Off Nut, 3.9mm				
656-NT4R1600	NT4R1600	-	Stand Off Nut, 5.9mm				

MM70 SERIES MXM3.0 COMPATIBLE CONNECTORS

- Mating area is 0.5mm pitch, with two-layer upper and lower structure
- Compatible with MXM3.0 standard (Card edge type)



For quantities greater than listed, call for quote.

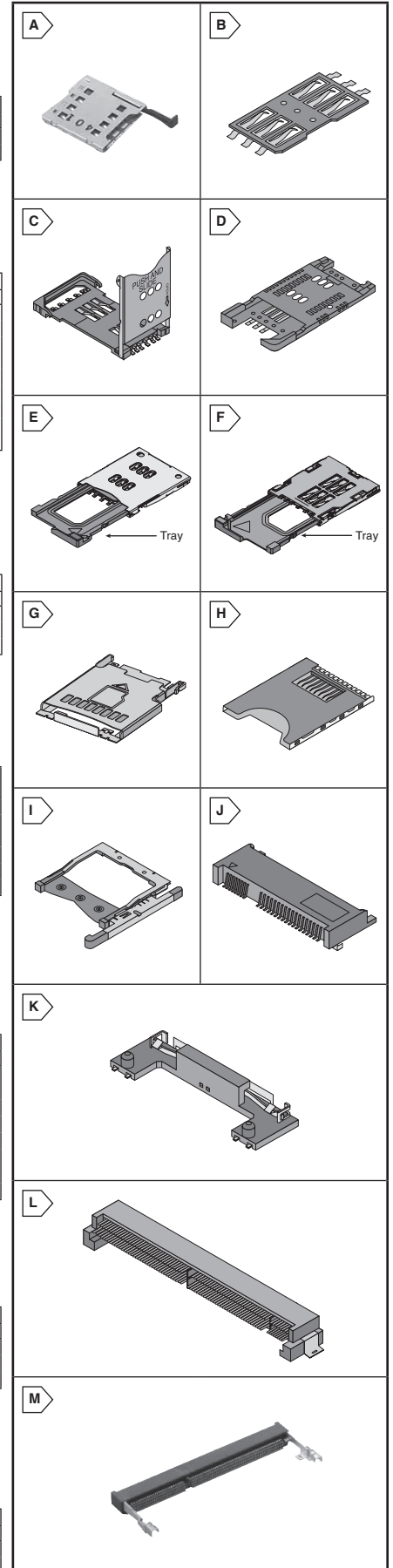
MOUSER STOCK NO.	JAE Part No.	Fig.	Description	Price Each			
				1	10	25	50
656-MM70314310B11R	MM70-314-310B1-1-R300	L	314P module socket, 0.1μ" AU, 3mm Height				
656-MM70314310B12R	MM70-314-310B1-2-R300	L	314P module socket, 0.3μ" AU, 3mm Height				
656-MM70314310B22R	MM70-314-310B2-2-R500	L	314P module socket, 0.3μ" AU, 1.5mm Height				

MM80 SERIES DDR3 HIGH SPEED CONNECTORS

- 204 pin socket for DDR3 SDRAM SODIMM, compatible with JEDEC standard (MO-268C)
- Incorrect-insertion prevention key operating voltage is DDR3 compatible 1.5V
- Right-angle SMT type, connector height is available in two types: 5.2mm and 9.2mm
- Reverse mounting type also available (heights: 5.2mm, 9.2mm)

For quantities greater than listed, call for quote.

MOUSER STOCK NO.	JAE Part No.	Fig.	Description	Price Each			
				1	10	25	50
656-MM80-204B1-1	MM80-204B1-1	M	DDR3 SDRAM, 204P, 5.2mm				
656-MM80-204B1-1R	MM80-204B1-1R	M	DDR3 SDRAM, Reverse, 204P, 5.2mm				



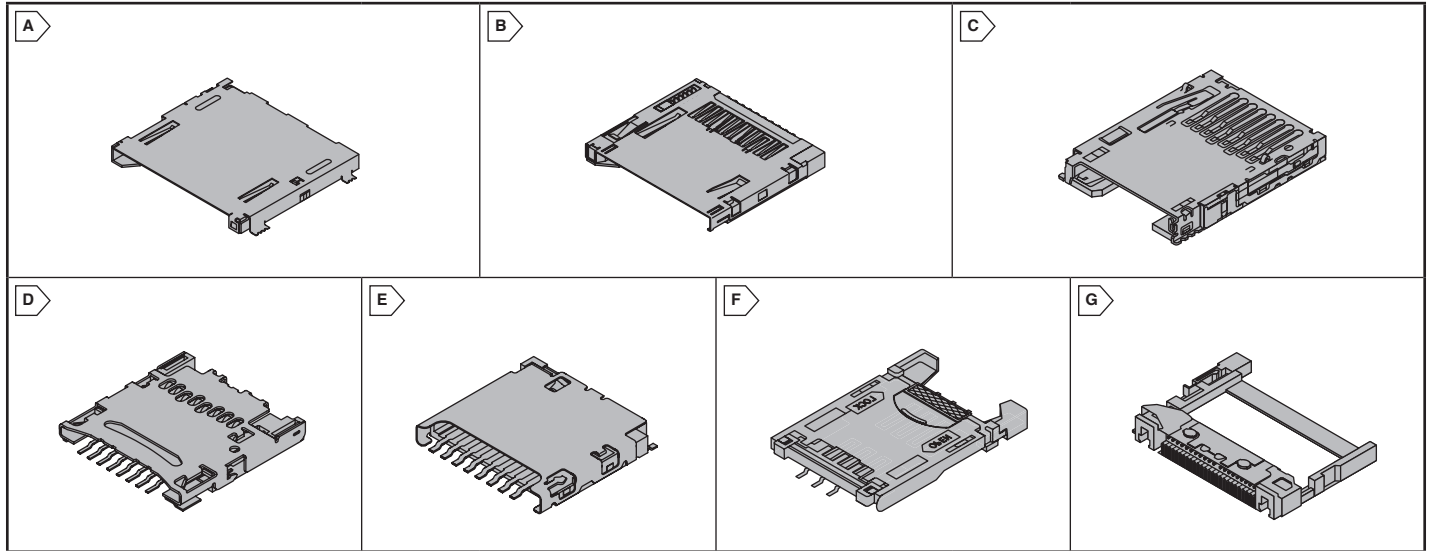
HIROSE Memory Card Connectors



This product is RoHS compliant.



HIROSE ELECTRIC CO., LTD.



DM1 SERIES - SD MEMORY CARD CONNECTOR

Features:

- Withstands higher force of card insertion
- No damage to cards and card-lock mechanism when accidentally pulled out
- Accidental card fall-out prevention
- Built-in Push-in/Push-out ejection mechanism assures simple and reliable card insertion and withdrawal
- Designed to accept Secure Digital (SD) I/O Card (Built-in ground contact) and MMC Card

For quantities greater than listed, call for quote.

MOUSER STOCK NO.	Hirose Part No.	Fig.	Description	Mounting Style	Termination Style	Price Each		
						1	25	100
798-DM1AA-SF-PEJ21	DM1AA-SF-PEJ(21)	A	Right Angle SMT	Standard	Push-Push			
798-DM1AA-SF-PEJ82	DM1AA-SF-PEJ(82)	A	Right Angle SMT	Standard	Push-Push			
798-DM1AA-SF-PEJ72	DM1AA-SF-PEJ(72)	A	Right Angle SMT	Standard	Push-Push			
798-DM1B-DSF-PEJ22	DM1B-DSF-PEJ(22)	B	Right Angle SMT	Reverse	Push-Push			
798-DM1B-DSF-PEJ82	DM1B-DSF-PEJ(82)	B	Right Angle SMT	Reverse	Push-Push			

DM2 SERIES - MINISD™ MEMORY CARD CONNECTOR

Features:

- Extremely small size
- Push-in/Push-out card ejection
- Protect against card loss
- Protect against reverse card insertion
- Effective grounding and shielding
- Durable, load resistant construction
- Two-point contact
- Built-in card detection switch

For quantities greater than listed, call for quote.

MOUSER STOCK NO.	Hirose Part No.	Fig.	Description	Mounting Style	Termination Style	Price Each		
						1	25	100
798-DM2A-SFW-PEJ-S	DM2A-SFW-PEJ-S	A	Right Angle SMT	Standard	Push-Push			
798-DM2B-DSFW-PEJ-S	DM2B-DSFW-PEJ-S	B	Right Angle SMT	Reverse	Push-Push			

DM3 SERIES - MICROSD™ MEMORY CARD CONNECTOR

Features:

- Reliable card insertion and withdrawal
- Card fall-out protection
- Specifications:
 - Contact mating area: Gold
 - Insulator: Black - UL94V-0
 - Voltage: 125VAC
 - Current 0.5A

For quantities greater than listed, call for quote.

MOUSER STOCK NO.	Hirose Part No.	Fig.	Description	Mounting Style	Termination Style	Price Each		
						1	25	100
798-DM3BT-DSF-PEJS	DM3BT-DSF-PEJS	C	Right Angle SMT	Reverse	Push-Push			
798-DM3C-SF	DM3C-SF	D	Right Angle SMT	Standard	Hinge, Push-Pull			
798-DM3D-SF	DM3D-SF	E	Right Angle SMT	Standard	Push-Pull			

ID1A SERIES - SIM CARD SOCKETS

Features:

- Suited for plug-in SIM cards of the GSM Standard (1.1.11)
- Miniature and thin
- Suited for automatic mounting
- Prevention of incorrect insertion to the board
- Side lock system

For quantities greater than listed, call for quote.

MOUSER STOCK NO.	Hirose Part No.	Fig.	Description	Mounting Style	Termination Style	Price Each		
						1	25	100
2.54mm Pitch - SMT								
798-ID1A6S254SF71	ID1A-6S-2.54SF(71)	F	Flat Direct Mount SMT	Board	Hinge, Push-Pull			
798-ID1A6S254SF81	ID1A-6S-2.54SF(81)	F	Flat Direct Mount SMT	Board	Hinge, Push-Pull			

MI21 SERIES - COMPACT FLASH CARD CONNECTORS

Features:

- Compact Flash Card Connectors conforming to Compact Flash Association (CFA) standards
- Headers suitable to Type I, and Type III Cards
- Smaller dimensions (width and depth) reduce the occupied area on PCBs
- The dual-end, 2-point push ejection mechanism provides smooth and reliable
- CF Card ejection by pressing two points on both sides

For quantities greater than listed, call for quote.

MOUSER STOCK NO.	Hirose Part No.	Fig.	Description	Mounting Style	Termination Style	Price Each		
						1	25	100
798-MI2150PDSF71	MI21-50PD-SF(71)	G	No Offset	Standard	None			
798-MI2150PDSFEJL71	MI21-50PD-SF-EJL(71)	G	No Offset	Standard	Left			
798-MI2150PDSFEJR71	MI21-50PD-SF-EJR(71)	G	No Offset	Standard	Right			
798-MI21A50PDSFEJR71	MI21A-50PD-SF-EJR(71)	G	2.2mm Offset	Standard	Right			
798-MI21A50PDRSF71	MI21A-50PDR-SF(71)	G	2.2mm Offset	Reverse	None			
798-MI21A50PDSF71	MI21A-50PD-SF(71)	G	2.2mm Offset	Standard	None			
798-MI21A50PDSFEJL71	MI21A-50PD-SF-EJL(71)	G	2.2mm Offset	Standard	Left			

MOLEX Memory Card Connectors and DIMM Sockets

RoHS Compliant This product is RoHS compliant.

MICRO-SIM MEMORY CARD SOCKET, HALOGEN-FREE

- Features:**
- Compact card sockets with small footprint and low profile
 - Reversed terminal-beam design with gradual lead-in
 - Built-in anti-shorting feature

- Specifications:**
- Voltage: 15V DC
 - Current: 0.5A
 - Contact Plating: 15µ" Au



For quantities greater than listed, call for quote.

MOUSER STOCK NO.	Molex Part No.	Fig.	Description	Price Each			
				1	10	100	500
538-78723-1001	78723-1001	A	6 Circuit, without detect switch, Push-Pull, 1.35mm Height				
538-78727-0001	78727-0001	A	6 Circuit, with detect switch, Push-Pull, 1.40mm Height				
538-78646-3001	78646-3001	A	6 Circuit, without detect switch, Push-Pull, 1.45mm Height				

MICROSD/MINI-SIM CARD COMBO CONNECTOR

- Features:**
- Low profile and compact design that combines two socket ports into one footprint
 - Card polarization
 - Reliable mate/unmate cycling

- Specifications:**
- Voltage:
 - microSD: 10V max.
 - SIM: 5V max.
 - Current:
 - microSD: 10V max.
 - SIM: 5V max.



For quantities greater than listed, call for quote.

MOUSER STOCK NO.	Molex Part No.	Fig.	Description		Mounting		Depth with Card		Detect Switch		Price Each			
			SIM	microSD	SIM	microSD	SIM	microSD	SIM	microSD	1	10	25	50
538-49619-1611	49619-1611	B	6/8-pin mini SIM: Push-Pull	Push-Pull	Normal	Reverse	25.35	18.15	No	Yes				

MICRO-SD™ MEMORY CARD CONNECTORS

- Features:**
- Ultra small size for space savings
 - Metal shielding with shell tabs
 - Hinge, push-push and push-pull types available

- Solder tails on inside of design offer space savings

- Specifications:**
- Pitch: 1.10mm
 - Plating: gold over nickel
 - Current: 0.5A
 - Withstanding Voltage: 500VAC



For quantities greater than listed, call for quote.

MOUSER STOCK NO.	Molex Part No.	Fig.	Description	Button Type	Mounting Type	Price Each					
						1	10	25	50		
Card Headers with Ejectors											
538-504077-1891	504077-1891	C	Compact, Right Angle, SMT, 15V max, 1.28mm	Push-Pull	Standard						
538-503398-0891	503398-0891	C	Right Angle, SMT, 10V max, 1.28mm height	Push-Push	Standard						
538-104031-0811	104031-0811	C	Right Angle, SMT 10V max, 1.42mm height	Push-Push	Standard						
538-503182-0852	503182-0852	C	Right Angle, SMT, 10V max, 1.45mm height	Push-Push	Standard						
538-500873-0806	500873-0806	C	Right Angle, SMT, 100V max	Push-Push	Standard						
538-502702-0891	502702-0891	C	Right Angle, SMT, 10V max, 1.53mm height	Push-Push	Standard						
538-502570-0893	502570-0893	C	Right Angle, SMT, 10V max, 1.8mm height	Push-Push	Standard						
538-502774-0891	502774-0891	C	Right Angle, SMT, 10V max	Push-Push	Reverse						
538-500901-0801	500901-0801	D	Right Angle, SMT, 10V max	Hinge	Standard						

SD MEMORY CARD CONNECTORS

- Features:**
- Compact size
 - Push-Push ejectors

- Protect and detect terminals

- Specifications:**
- Pitch: 2.50mm
 - Current: 0.5A
 - Contact Plating: Gold

For quantities greater than listed, call for quote.

MOUSER STOCK NO.	Molex Part No.	Fig.	Description	Button Type	Mounting Type	Price Each				
						1	10	25	50	
538-500998-0900	500998-0900	E	Right Angle, SMT, 100V max	Push-Push	Standard					
538-67600-8001	67600-8001	E	Right Angle, SMT, 250V max, with PCB locator	Push-Push	Standard					
538-67600-8002	67600-8002	E	Right Angle, SMT, 250V max, with out PCB locator	Push-Push	Standard					
538-67840-8001	67840-8001	F	Right Angle, SMT, 100V max, 1.80mm standoff	Push-Push	Standard					
538-67913-0002	67913-0002	G	Right Angle, SMT, 100V max, 2.75mm height	Push-Push	Reverse					
538-503500-0991	503500-0991	G	Right Angle, SMT, 50V max, 2.95mm height	Push-Push	Standard					

COMPACTFLASH™ CARD CONNECTORS

- Features:**
- Dual-row 1.27mm pitch at card interface and .635mm pitch in-line SMT tails

- High temperature housing suitable for reflow soldering
- In-line SMT tails protect against damage during assembly

- Specifications:**
- Voltage: 100V
 - Current: 0.5A
 - Contact resistance: 40mΩ max.
 - Insulation resistance: 1000MΩ min.

For quantities greater than listed, call for quote.

MOUSER STOCK NO.	Molex Part No.	Fig.	Description	Standoff (mm)	Mounting Type	Price Each				
						1	10	25	50	
For Type I & II Cards										
538-55358-5029	55358-5029	H	Right Angle, SMT, 50 circuits	1.65	Top					
538-55359-5078	55359-5078	H	Right Angle, SMT, 50 circuits	1.75	Bottom					
538-55356-0011	55356-0011	I	Ejector - left side flip button	-	Top / Bottom					
538-55364-0011	55364-0011	I	Ejector - left side push-push button	-	Top					
538-55365-0011	55365-0011	J	Ejector - right side push-push button	-	Top					
For Type I Cards										
538-53856-5070	53856-5070	K	Right Angle, SMT, 50 circuits	1.64	Top					
538-53927-5019	53927-5019	K	Right Angle, SMT, 50 circuits	1.64	Bottom					
538-55021-0001	55021-0001	J	Ejector - right side button	-	Top / Bottom					
538-55022-0001	55022-0001	I	Ejector - left side button	-	Top / Bottom					

DDR3 SOCKETS

- Features:**
- Data Rates: 800Mbps - 1.6Gbps
 - Voltage Key: 1.5V
 - Complies with all JEDEC standards

For quantities greater than listed, call for quote.

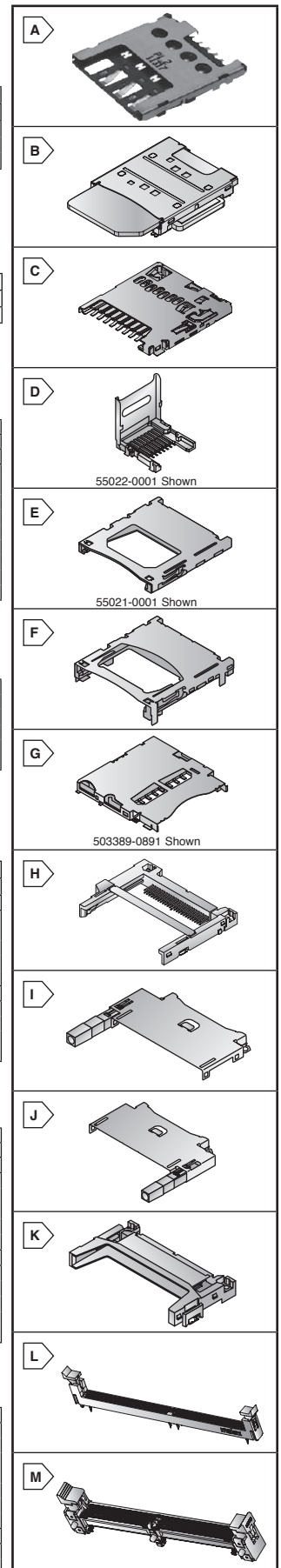
MOUSER STOCK NO.	Molex Part No.	Fig.	Description	Contact Area Finish	Tail Length	PCB Thickness	Price Each			
							1	10	25	50
DIMM - 1.00mm Pitch - 240 Circuits										
538-78079-0001	78079-0001	L	Vertical, Thru-hole, 1.5V key	15Au	2.67mm	1.57mm				
538-78321-0011	78321-0011	L	Vertical, Thru-hole, 1.5V key	30Au	2.67mm	1.57mm				
538-78156-0001	78156-0001	L	Vertical, SMT, 1.5V key	30Au	-	1.57mm				
538-78294-0001	78294-0001	L	Vertical, Press-fit, 1.5V key	30Au	3.30mm	3.30mm				
538-78315-0001	78315-0001	L	Vertical, Press-fit, 1.5V key	30Au	1.85mm	2.40mm				
Mini DIMM - 0.6mm Pitch - 244 Circuits										
538-87782-3003	87782-3003	M	Vertical, SMT, 1.5V key	30Au	-	-				
538-87918-0301	87918-0301	M	Right angle, SMT 1.5V key	30Au	-	-				
538-78001-3344	78001-3344	M	Reverse right angle, SMT 1.5V key	30Au	-	-				
538-87783-0301	87783-0301	M	22.5° angle, SMT, 1.5V key	30Au	-	-				
538-78035-0301	78035-0301	M	22.5° reverse angle, SMT, 1.5V key	30Au	-	-				

DDR2 SOCKETS

- Features:**
- Data Rates: 400Mbps - 800Mbps
 - Voltage Key: 1.8V
 - Complies with all JEDEC standards

For quantities greater than listed, call for quote.

MOUSER STOCK NO.	Molex Part No.	Fig.	Description	Contact Area Finish	Tail Length	PCB Thickness	Price Each			
							1	10	25	50
DIMM - 1.00mm Pitch - 240 Circuits										
538-87705-1021	87705-1021	L	Vertical, Thru-hole, 1.8V key	15Au	3.18mm	2.40mm				
538-87705-0021	87705-0021	L	Vertical, Thru-hole, 1.8V key	15Au	2.67mm	1.60mm				
538-87978-1051	87978-1051	L	Vertical, Thru-hole, 1.8V key	30Au	3.18mm	2.40mm				
538-87705-1051	87705-1051	L	Vertical, Thru-hole, 1.8V key	30Au	3.18mm	2.40mm				
538-87966-0001	87966-0001	L	Vertical, SMT, 1.8V key	30Au	-	1.60mm				
538-87803-0002	87803-0002	L	25° angle, Thru-hole, 1.8V key	15Au	2.79mm	1.60mm				
538-87803-0012	87803-0012	L	25° angle, Thru-hole, 1.8V key	15Au	3.18mm	2.40mm				
Mini DIMM - 0.6mm Pitch - 244 Circuits										
538-87918-0001	87918-0001	M	Right angle, SMT 1.8V key	30Au	-	-				
538-87783-0001	87783-0001	M	22.5° angle, SMT, 1.8V key	30Au	-	-				

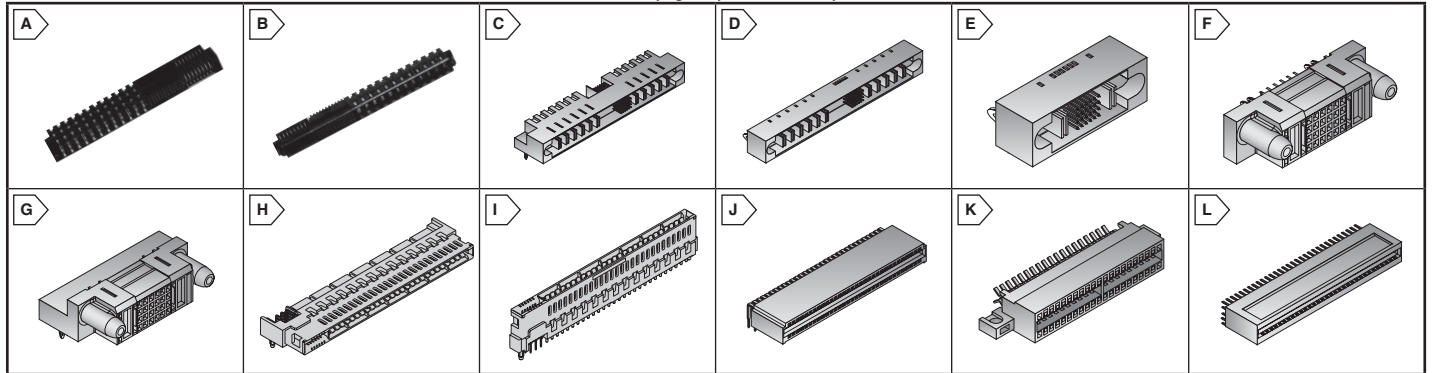


Molex Memory Card

FCI Card Edge Connectors



RoHS Compliant This page of product is compliant.



PWRBLADE+™ CONNECTOR SYSTEM



Features:

- Enhanced power contact design for increased linear current density
- For next generation 1U and 2U pluggable power supplies with higher current density requirements

Specifications:

- Modular tooling design with capability for many combinations of high and low power contacts as well as signal contacts for power control

For quantities greater than listed, call for quote.

MOUSER STOCK NO.	FCI Part No.	Fig.	Description	Orientation	Price Each			
					1	25	100	250
649-101061240401LF	10106124-4004001LF	A	2P+16S+2P Header	Right Angle				
649-10106132A0801LF	10106132-A008001LF	A	10HDP+32S Header	Right Angle				
649-101061260401LF	10106126-4004001LF	B	2P+16S+2P Receptacle	Right Angle				
649-10106139A0801LF	10106139-A008001LF	B	10HDP+32S Receptacle	Vertical				

PWRBLADE® CONNECTORS

Features:

- Provides contacts for power distributions and power control
- Capability for up to 20 power contacts and 148 signal contacts in up to 8"

- Options for solder or press-fit termination
- RoHS Compliant per FCI documentation

Specifications:

- Housing: Glass-filled high temperature nylons

For quantities greater than listed, call for quote.

MOUSER STOCK NO.	FCI Part No.	Fig.	Description	Orientation	Price Each			
					1	25	100	250
649-51624-XX001LF	51624-XX001LF	C	5P+24S+1M+6P, Header	Right Angle				
649-51860-001LF	51860-001LF	D	5P+24S+1M+6P, Header	Vertical				
649-51952-001LF	51952-001LF	E	1P+24S+1P, Header	Vertical				
649-51952-002LF	51952-002LF	E	1P+24S+1P, Header	Vertical				
649-51666-001LF	51666-001LF	F	1P+24S+1P, Receptacle	Vertical				
649-51416-001LF	51416-001LF	G	1P+24S+1P, Receptacle	Right Angle				
649-51741-102406CCLF	51741-10002406CCLF	-	6P+24S, Receptacle	Vertical				
649-51761-12406AALF	51761-10002406AALF	-	6P+24S, Receptacle	Right Angle				
649-51762-104024ABLF	51762-10402400ABLF	-	4P+24S Receptacle	Right Angle				
649-51866-025LF	51866-025LF	-	9P+24S, Receptacle	Right Angle				
649-51915-176LF	51915-176LF	-	12P+24S, Receptacle	Right Angle				
649-51915-050LF	51915-050LF	-	3ACP+5P+24S Receptacle	Right Angle				

HIGH POWER CARD EDGE (HPCE™) CONNECTORS

Features:

- Current rating to 9A/power contact beam (with multiple power contacts fully energized) without exceeding a 30°C temperature rise in still air
- Low profile height (2.8mm for straddle mount; 7.50mm for right angle) maximizes airflow for effective system cooling
- One-piece assembly enables cost-effective power delivery for 1U and 2U power supplies or power distribution applications
- Highly vented housing design maximizes heat dissipation
- Vertical, right angle and straddle mount options are available with both power contacts for power distribution and signal contacts for power control

- Number and placement of power and signal contacts are highly configurable for custom power needs
- Polarized housing option ensures proper mating board orientation
- Plastic housing features and mounting ear options are available for polarization to the host PCB as well as to secure the connector during the wave solder process
- Robust design includes touch-proof safety features that are UL/IEC 60950 compliant
- Solder or press-fit tails are available on the vertical option for termination flexibility

For quantities greater than listed, call for quote.

MOUSER STOCK NO.	FCI Part No.	Fig.	Description	Orientation	Price Each			
					1	25	100	250
649-10088418-002LF	10088418-002LF	H	56P+12S Receptacle	Vertical				
649-10096926-004LF	10096926-004LF	I	56P+12S Receptacle	Right Angle				

POWER CARD EDGE

Features:

- One piece card edge design provides cost-effective power delivery with capacity for up to 7A per power contact
- RoHS Compliant per FCI documentation

Specifications:

- Housing: High temperature thermoplastic UL94V-0
- Current Rating: 7A

For quantities greater than listed, call for quote.

MOUSER STOCK NO.	FCI Part No.	Fig.	No. of Pos.	Orientation	Tail Plating	Price Each			
						1	25	100	250
649-10035388-500LF	10035388-500LF	J	56	Right Angle	100 μ" pure matte Tin				
649-10053363-200LF	10053363-200LF	J	64	Right Angle	100 μ" pure matte Tin				
649-10034908-001LF	10034908-001LF	K	38	Straddle Mount	100 μ" pure matte Tin				

MICROTCA™ CARD EDGE CONNECTORS

Features:

- 170 position card edge interface with 0.75mm contact pitch
- RoHS Compliant per FCI documentation

Specifications:

- Housing: High temperatures thermoplastic, UL94V-0
- Current rating: 1.0A/contact maximum

For quantities greater than listed, call for quote.

MOUSER STOCK NO.	FCI Part No.	Fig.	No. of Positions	Mounting Style	Color	Orientation	Price Each			
							1	25	100	250
649-10058831-110LF	10058831-110LF	L	170	Press-fit	Black	Vertical				

PCI EXPRESS™ 1.00MM PITCH VERTICAL CARD EDGE CONNECTORS

Series 10018783 suitable for reflow soldering
For applications in desktops and servers using PCI Express™ technology.

PCI Express™ is a trademark of PCI-SIG.

Specifications:

- Housing Color and Material: Black, high temperature nylon, glass-filled, UL94V-0
- Contact Material: Copper alloy
- Insulation Resistance: 1000MΩ
- Temperature Range: -40°C to +85°C
- RoHS Compliant per FCI documentation

Features:

- Used to enable the implementation of high-speed, serial PCI Express™ architecture
- Each serial link supports 2.5 Gps (per direction)
- Through-mount tail length options for use on 1.58mm (.062") or 2.36mm (.093") thick motherboards



RoHS Compliant



Through Hole Solder

For quantities greater than listed, call for quote.

MOUSER STOCK NO.	FCI Part No.	Fig.	No. of Positions	Host PCB Thickness	Link Width	Price Each			
						1	25	100	250
649-18783-10100TLF	10018783-10100TLF	A	36	1.56mm (0.062")	1x				
649-18783-10101TLF	10018783-10101TLF	A	64	1.56mm (0.062")	4x				
649-18783-10103TLF	10018783-10103TLF	A	164	1.56mm (0.062")	16x				
649-18783-10110TLF	10018783-10110TLF	A	36	2.36mm (0.093")	1x				
649-18783-10112TLF	10018783-10112TLF	A	98	2.36mm (0.093")	8x				
649-18783-10113TLF	10018783-10113TLF	A	164	2.36mm (0.093")	16x				
* 649-118783-11013TLF	10018783-11013TLF	A	164	2.36mm (0.093")	16x				

* Metal Board Locks

Surface Mount

For quantities greater than listed, call for quote.

MOUSER STOCK NO.	FCI Part No.	Fig.	No. of Positions	Host PCB Thickness	Link Width	Price Each			
						1	25	100	250
649-10061913-100CLF	10061913-100CLF	B	36	1.56mm (.062")	1x				
649-10061913-102CLF	10061913-102CLF	B	98	1.56mm (.062")	8x				

DIN 41612 CONNECTORS

RoHS Compliant per FCI documentation



RoHS Compliant

Headers

For quantities greater than listed, call for quote.

MOUSER STOCK NO.	FCI Part No.	Fig.	No. of Positions	Housing Style	Orientation	Tail Length	Price Each			
							1	25	100	250
649-86943273378ELF	86094327313755ELF	C	32	C/2	Right Angle	3mm				
649-8693487313755ELF	86093487313755ELF	C	48	C/2	Right Angle	3mm				
649-8692645113755ELF	86092645113755ELF	C	64	B	Right Angle	3mm				
649-8694647113755ELF	86094647113755ELF	C	64	C	Right Angle	3mm				
649-8693967113755ELF	86093967113755ELF	C	96	C	Right Angle	3mm				
649-8694647814755ELF	86094647814755ELF	D	64	R	Straight	4mm				
649-8693967814755ELF	86093967814755ELF	D	96	R	Straight	4mm				

Receptacles

For quantities greater than listed, call for quote.

MOUSER STOCK NO.	FCI Part No.	Fig.	No. of Positions	Housing Style	Orientation	Tail Length	Price Each			
							1	25	100	250
649-8693488637E1LF	86093488613755E1LF	E	48	R/2	Right Angle	3mm				
649-8694648837V1LF	86094648813755V1LF	E	64	R	Right Angle	3mm				
649-8693968837V1LF	86093968813755V1LF	E	96	R	Right Angle	3mm				
649-8692646147E1LF	86092646114755E1LF	F	64	B	Straight	4mm				
649-8694648147V1LF	86094648114755V1LF	F	64	C	Straight	4mm				
649-869396814755V1LF	8609396814755V1LF	F	96	C	Straight	4mm				

HCI® CONNECTOR SYSTEM

The HCI® connector system is designed to address requirements that extend beyond the capability of FCI's proven PwrBlade® connector system, the industry standard for DC power supply interfaces and power distribution. The HCI® capability for connector system provides both power and signal contacts in a single connector to enable power distribution and power control. Integrated HCI® power connector solutions enabling DC power, AC power, and signal contacts in a single molded housing, also provide incredible flexibility to address requirements for custom configurations.

Features:

- Integrated design with power, signal contacts and guides in a single connector housing
- Vented housings dramatically improve airflow and thermal performance while maintaining touch-proof design
- Integrated, industry-standard molded-in guidance system compensates for our degrees of radial misalignment for predictable cost effective blind mating
- Hard Metric mating compatibility (12.5mm from card-edge to board in the backplane)

Specifications:

- Housing: High-temperature thermoplastic (UL94V-0), black
- Contact base metal: Power – high-conductivity copper alloy; Signals – copper alloy
- Current rating: 85A/contact maximum for single power contact, 52A/contact maximum for 10 power contacts at 30°C T-Rise in still air

For quantities greater than listed, call for quote.

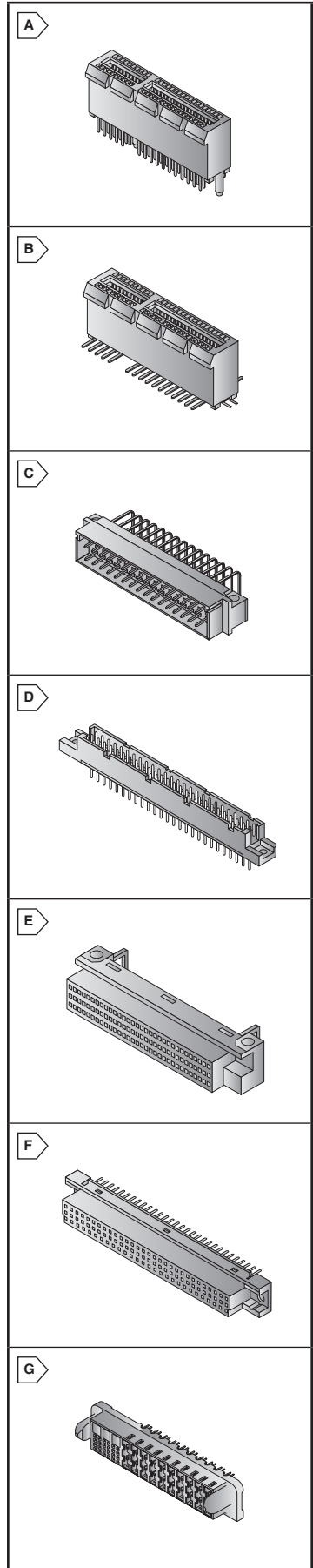
MOUSER STOCK NO.	FCI Part No.	Fig.	Description	Orientation	Price Each			
					1	25	100	250
649-10065127-001LF	10065127-001LF	G	10DC+24S, Receptacle	Vertical				

© Copyright 2014 Mouser Electronics

For current pricing, visit mouser.com

EUsales@mouser.com

© Copyright 2014 Mouser Electronics



FCI Metral® 2.00mm and High Speed Backplane Connectors FCI



This product is RoHS compliant.

METRAL® 2.00MM MODULAR INTERCONNECT SYSTEM

Mix low and high speed signal modules. Mix signal and power modules. Designed in accordance with IEC 61076-4-104.

Specifications:

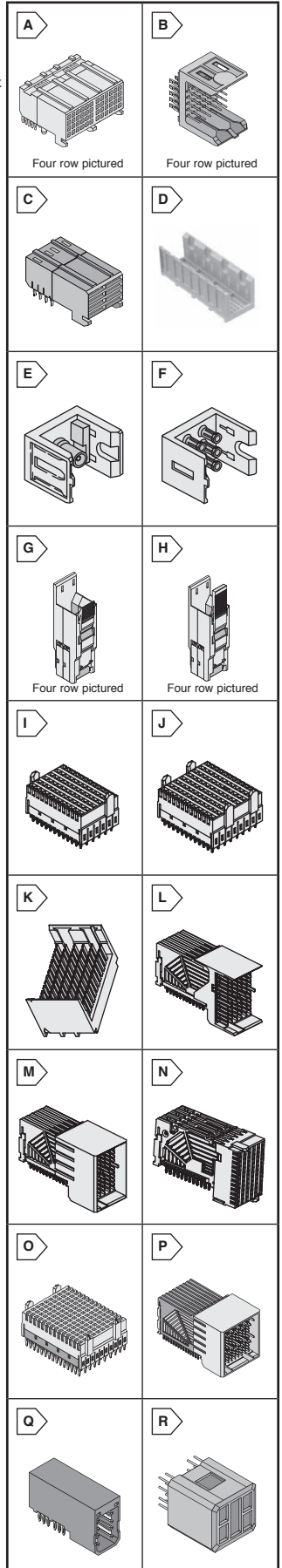
- Plating performance: Telcordia Central Office
 - Temperature: 55°C to +125°C
 - Housing material: Glass-filled LCP
 - Insulation resistance: 1000MΩ
 - Tail length: Header 4.30mm (.169")
 - Current rating: 1.0A
- *High Speed



RoHS Compliant

For quantities greater than listed, call for quote.

MOUSER STOCK NO.	FCI Part No.	Fig.	Pos.	Description	Orientation	Price Each		
						1	25	100
Receptacles								
649-88945-102LF	88945-102LF	A	24	4 row, Signal receptacle, press fit	Right Angle			
649-89047-102LF	89047-102LF	A	30	5 row, Signal receptacle, press fit	Right Angle			
649-74981-102LF	74981-102LF	A	96	8 row, Signal receptacle, press-fit	Right Angle			
Headers								
649-70232-111LF	70232-111LF	B	24	4 row, Signal header, press-fit	Straight			
649-89006-110LF	89006-110LF	B	30	5 row, Signal hdr, press fit, 5mm mating length	Straight			
* 649-55003-101003LF	55003-101003LF	B	30	5 row, Signal header, press fit	Straight			
Power Receptacles								
649-89096-102LF	89096-102LF	C	10	5 row, Press-Fit	Right Angle			
Shroud								
649-89055-111LF	89055-111LF	D	-	5 row, wide body shroud	-			
Hybrid Connectors								
649-88911-101LF	88911-101LF	E	-	DIN Standard Housing, 12mm wide body	-			
649-88913-101LF	88913-101LF	F	-	Mini Coax Housing, 12mm, wide body	-			



METRAL® 2.00MM CABLE CONNECTORS

Specifications:

- Interface compatible with IEC 61076-4-104 backpanel connectors
- End-stackable cable connectors enable adjacent connectors to plug headers without loss of positions
- Insulation displacement design offers quick termination without the need to strip conductors
- Easy to use cable receptacle kits mate to PCB Headers
- Active backshell latches securely
- Contact plating meets Telcordia Central Office
- Different latch designs are available to satisfy ergonomic and mechanical requirements
- Assembly Required

Receptacles

For quantities greater than listed, call for quote.

MOUSER STOCK NO.	FCI Part No.	Fig.	Pos.	Description	Latch Type	Price Each			
						1	25	100	250
4 Row Cable Kit with Backshells									
649-72476-1211LF	72476-1211LF	G	24	26-24 AWG	Short				
649-72477-1211LF	72477-1211LF	G	48	26-24 AWG	Short				
649-72477-1121LF	72477-1121LF	H	48	30-28 AWG	Standard				
5 Row Cable Kit with Backshells									
649-72479-1111LF	72479-1111LF	H	60	26-24 AWG	Standard				

AIRMAX VS® (VIRTUAL SHIELDS) CONNECTORS FOR COMPACTPCI® SERIAL SYSTEMS



For quantities greater than listed, call for quote.

MOUSER STOCK NO.	FCI Part No.	Fig.	No. of Pos.	No. of Columns	Description	Price Each		
						1	25	50
Midplane Front Side Connectors (Vertical Receptacles)								
649-10052829-101LF	10052829-101LF	I	72	6	4-pair			
649-10052842-101LF	10052842-101LF	J	96	8	4-pair			
Midplane Rear Side Connectors (Vertical Headers)								
649-10114761-101LF	10114761-101LF	K	72	6	4-pair			
649-10114760-101LF	10114760-101LF	K	96	8	4-pair			
Front Daughter Card Connectors (Right-Angle Headers)								
649-10052824-101LF	10052824-101LF	L	72	6	4-pair, 2-wall			
649-10052837-101LF	10052837-101LF	L	96	8	4-pair, 2-wall			
649-10052825-101LF	10052825-101LF	M	72	6	4-pair, 4-wall			
649-10052838-101LF	10052838-101LF	M	96	8	4-pair, 4-wall			
Rear Daughter Card Connectors (Right-Angle Receptacles)								
649-10114633-101LF	10114633-101LF	N	72	6	4-pair			
649-10060905-101LF	10060905-101LF	N	96	8	4-pair			

AIRMAX VS® (VIRTUAL SHIELDS) HIGH-SPEED BACKPLANE CONNECTOR SYSTEM

Specifications:

- Termination Style: Press-fit
- Contact Base Material: Copper alloy
- Contact Plating: Au over Ni
- Tail Plating: Sn over Ni
- Housing Material: Hi-temp thermoplastic
- 2mm column spacing
- RoHS Compliant per FCI documentation

For quantities greater than listed, call for quote.

MOUSER STOCK NO.	FCI Part No.	Fig.	No. of Pos.	No. of Columns	Description	Price Each		
						1	25	100
Receptacles								
649-10043546-101LF	10043546-101LF	O	54	6	3-Pair, Signal			
649-10045271-101LF	10045271-101LF	O	72	8	3-Pair, Signal			
Headers								
649-10039851-101LF	10039851-101LF	P	54	6	4 Wall, Right Angle, 3-Pair, Signal			
649-10045267-101LF	10045267-101LF	P	72	8	4 Wall, Right Angle, 3-Pair, Signal			
Guide Pins								
649-10037909-101LF	10037909-101LF	-	-	-	Guide Module R/A 7.2mm			
649-10037910-101LF	10037910-101LF	-	-	-	Guide Pin External 10.8mm			
649-10037912-101LF	10037912-101LF	-	-	-	Guide Module Assembly 10.8mm			
649-10037911-102LF	10037911-102LF	-	-	-	Guide Pin Internal 10.8mm			

AIRMAX VS® (VIRTUAL SHIELDS) POWER HIGH-SPEED BACKPLANE CONNECTOR SYSTEM

Features:

- Current rating to 80A for 1 x 2 and 2 x 2 modules
- Protected Backplane connector Compliant (Finder Probe)
- Press-fit termination
- RoHS Compliant per FCI documentation

Specifications:

- Contact Base Material: Copper Alloy
- Housing Material: Hi-temp thermoplastic

For quantities greater than listed, call for quote.

MOUSER STOCK NO.	FCI Part No.	Fig.	No. of Pos.	Description	Contact Array	Height above PCB	Price Each		
							1	25	100
Headers									
649-10028917-001LF	10028917-001LF	Q	4	Right Angle, Power	2 x 2	14.7mm			
Receptacles									
649-10061290-5545PLF	10061290-5545PLF	R	6	Vertical, Power	2 x 3	11.5mm			

HARTING DIN 41612 Connectors



DIN 41612 SIGNAL CONNECTORS - 2 AMP

- IEC 60 630-2
- Pitch: 2.54mm
- Current rating: 2A
- 1A for Insulation Displacement version
- Up to 40A Contacts in Type M version
- Contact Plating: Performance Level 2 plating (acc to DIN41612, part 5)
- UL and CSA Approved
- Contact resistance: 15ohms for wire wrap connections 20 mΩ for including crimp connections
- Temperature Range: -55°C to +125°C
- Termination zone tinned
- Moldings: Thermoplastic resin, glass fiber filled - UL94V-0
- Contacts: Copper Alloy



2 Row Type B

For quantities greater than listed, call for quote.

MOUSER STOCK NO.	HARTING Part No.	No. of Contacts	Rows Loaded	Style	Termination Type	Pin Length (mm)	Price Each		
							1	10	25
Male									
617-09-02-164-6921	09 02 164 6921	64	a, b	Right-Angle	Solder Pins	3			
Female									
617-09-02-264-6824	09 02 264 6824	64	a, b	Straight	Solder Pins	2.9			
617-09-02-264-6825	09 02 264 6825	64	a, b	Straight	Solder Pins	4.5			
617-09-02-264-6821	09 02 264 6821	64	a, b	Straight	Wire Wrap Pins	13			
617-09-02-264-6828	09 02 264 6828	64	a, b	Cable Mount	IDC	-			
* 617-09-02-064-3214	09 02 064 3214	64	-	Cable Mount	Crimp Pins	-			

* Order contacts separately...See next page

2 Row Type 2B (Half-Length)

For quantities greater than listed, call for quote.

Male									
617-09-22-132-6921	09 22 132 6921	32	a, b	Right-Angle	Solder Pins	3			
Female									
617-09-22-232-6825	09 22 232 6825	32	a, b	Straight	Solder Pins	4.5			

2 Row Type C

For quantities greater than listed, call for quote.

Male									
617-09-03-132-6921	09 03 132 6921	32	a, c	Right-Angle	Solder Pins	3			
617-09-03-164-6921	09 03 164 6921	64	a, c	Right-Angle	Solder Pins	3			
Female									
617-09-03-264-6824	09 03 264 6824	64	a, c	Straight	Solder Pins	2.9			
617-09-03-264-6825	09 03 264 6825	64	a, c	Straight	Solder Pins	4.5			
617-09-03-264-6850	09 03 264 6850	64	a, c	Straight	Press-In Pins	4.5			
617-09-03-264-6828	09 03 264 6828	64	a, c	Cable Mount	IDC	-			
* 617-09-03-096-3214	09 03 096 3214	96	-	Cable Mount	Crimp Pins	-			

* Order contacts separately...See next page

3 Row Type C

For quantities greater than listed, call for quote.

Male									
617-09-03-196-6921	09 03 196 6921	96	a, b, c	Right-Angle	Solder Pins	3			
617-09-03-196-6922	09 03 196 6922	96	a, b, c	Straight	Solder Pins	3			
Female									
617-09-03-296-6821	09 03 296 6821	96	a, b, c	Straight	Wire Wrap Pins	13			
617-09-03-296-6825	09 03 296 6825	96	a, b, c	Straight	Solder Pins	4.5			
617-09-03-296-6850	09 03 296 6850	96	a, b, c	Straight	Press-In Pins	4.5			

3 Row Type 2C (Half-Length)

For quantities greater than listed, call for quote.

Male									
617-09-25-130-6921	09 25 130 6921	30	a, b, c	Right-Angle	Solder Pins	3			
617-09-23-148-6921	09 23 148 6921	48	a, b, c	Right-Angle	Solder Pins	3			
Female									
617-09-25-230-6825	09 25 230 6825	30	a, b, c	Straight	Solder Pins	4.5			
617-09-23-248-6825	09 23 248 6825	48	a, b, c	Straight	Solder Pins	4.5			

3 Row Type M

Order contacts separately...See next page

For quantities greater than listed, call for quote.

Male									
617-09-03-124-6901	09 03 124 6901	24 + 8	a, b, c	Right-Angle	Solder Pins	3			
617-09-03-142-6901	09 03 142 6901	42 + 6	a, b, c	Right-Angle	Solder Pins	3			
617-09-03-160-6901	09 03 160 6901	60 + 4	a, b, c	Right-Angle	Solder Pins	3			
617-09-03-178-6901	09 03 178 6901	78 + 2	a, b, c	Right-Angle	Solder Pins	3			
Female									
617-09-03-224-6805	09 03 224 6805	24 + 8	a, b, c	Straight	Solder Pins	4.5			
617-09-03-242-6805	09 03 242 6805	42 + 6	a, b, c	Straight	Solder Pins	4.5			
617-09-03-260-6805	09 03 260 6805	60 + 4	a, b, c	Straight	Solder Pins	4.5			

3 Row Type R - Inverse

For quantities greater than listed, call for quote.

Male									
617-09-73-164-6903	09 73 164 6903	64	a, c	Straight	Solder Pins	4			
617-09-73-196-6903	09 73 196 6903	96	a, b, c	Straight	Solder Pins	4			
617-09-73-196-6904	09 73 196 6904	96	a, b, c	Straight	Press-In Pins	5			
Female									
617-09-73-264-6801	09 73 264 6801	64	a, c	Right-Angle	Solder Pins	3			
617-09-73-296-6801	09 73 296 6801	96	a, b, c	Right-Angle	Solder Pins	3			

DIN 41612 TYPE 2C FEMALE CRIMP CONNECTORS AND SHELL HOUSING

Female Connectors

Order contacts separately...See next page

For quantities greater than listed, call for quote.

MOUSER STOCK NO.	HARTING Part No.	No. of Contacts	Rows Loaded	Style	Termination Type	Mates With	Price Each		
							1	10	25
617-09-23-048-3214	09 23 048 3214	48	a, b, c	Straight	Crimp Pins	2C Male			
617-09-23-048-3217	09 23 048 3217	48	a, b, c	Straight	Crimp Pins	2R Male			

Shell Housing 2C

For quantities greater than listed, call for quote.

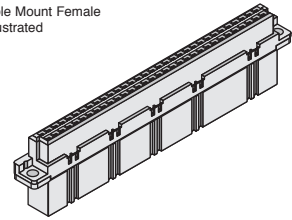
MOUSER STOCK NO.	HARTING Part No.	Description	Price Each		
			1	10	25
617-09-23-048-0501	09 23 048 0501	Shell, Blinding Plate, Cable Tie, Screw 2.2 x 9.5 (4)			

© Copyright 2014 Mouser Electronics

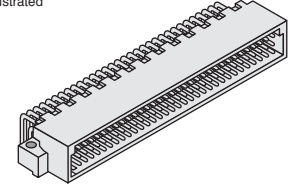
For current pricing, visit mouser.com

© Copyright 2014 Mouser Electronics

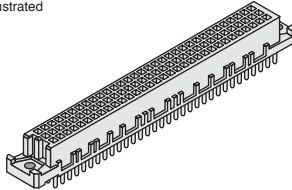
2 Row Type B Cable Mount Female
09 02 064 3214 Illustrated



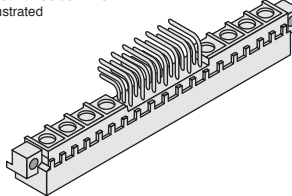
3 Row Type C Male with Solder Pins
09 03 196 6921 Illustrated



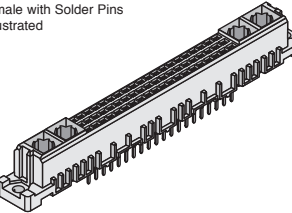
3 Row Type C Female with Press-In Pins
09 03 296 6850 Illustrated



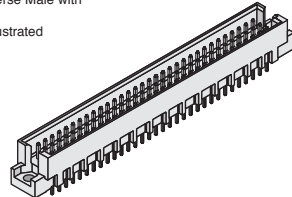
3 Row Type M Male with Solder Pins
09 03 124 6901 Illustrated



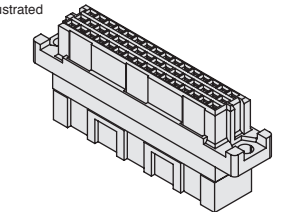
3 Row Type M Female with Solder Pins
09 03 260 6805 Illustrated



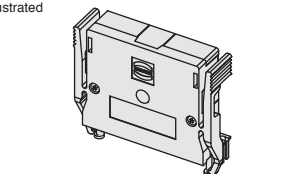
3 Row Type R-Inverse Male with Solder Pins
09 73 196 6903 Illustrated



09 23 048 3214 Illustrated



09 23 048 0501 Illustrated



HARTING DIN 41612 Connectors



CONTACTS FOR 2A DIN 41612 SIGNAL CONNECTORS

To be used with HARTING 2 Amp DIN 41612 Signal Connectors on previous page.

Individual Crimp Contacts for Use with Type B and C Cable Mount Versions

For quantities greater than listed, call for quote.

MOUSER STOCK NO.	HARTING Part No.	Description	Price Each		
			1	10	25
617-09-02-000-8474	09 02 000 8474	For female connectors type B and C (BC1) - 28-20AWG			
Performance Level 1 Plating (acc to DIN 41612, Part 5)					
617-09-02-000-8484	09 02 000 8484	For female connectors type B and C (BC1) - 28-20AWG			

Coaxial Contacts for Type M Connectors

For quantities greater than listed, call for quote.

MOUSER STOCK NO.	HARTING Part No.	Description	Price Each		
			1	10	25
617-09-03-000-6262	09 03 000 6262	Female 50ohms for male connectors angled for pcb termination			
617-09-03-000-6260	09 03 000 6260	Female 50ohms for male connectors for straight solder/crimp termination			
617-09-03-000-6160	09 03 000 6160	Male 50ohms for female connectors for straight solder/crimp termination			

High Current Contacts for Type M Connectors

For quantities greater than listed, call for quote.

MOUSER STOCK NO.	HARTING Part No.	Description	Price Each		
			1	10	25
617-09-03-000-6202	09 03 000 6202	Female contacts for female connectors- 20A for straight solder termination			
617-09-03-000-6203	09 03 000 6203	Female contacts for female connectors- 40A for straight solder termination			

Tools

For quantities greater than listed, call for quote.

MOUSER STOCK NO.	HARTING Part No.	Description	Price Each		
			1	10	25
617-09-99-000-0194	09 99 000 0194	Crimp Tool For Coax Contacts			
617-09-99-000-0196	09 99 000 0196	Crimp Tool For High Current Contacts			

DIN 41612 POWER CONNECTORS - 6A

- Pitch: 5.08mm
- Current rating: 6A
- Temperature Range: -55°C to +125°C
- Contact Plating: Performance Level 2 plating (acc to DIN41612, part 5)
- Termination zone tinned

- Contact resistance: $\leq 15m\Omega$ for wire wrap and solder connections
- $\leq 20m\Omega$ for including crimp connections
- Moldings: Thermoplastic resin, glass fiber filled - UL94V-0
- Contacts: Copper Alloy



2 Row Type D

For quantities greater than listed, call for quote.

MOUSER STOCK NO.	HARTING Part No.	No. of Contacts	Rows Loaded	Style	Termination Type	Pin Length (mm)	Price Each		
							1	10	25
Male									
617-09-04-132-6921	09 04 132 6921	32	a, c	Right-Angle	Solder Pins	3.0			
Female									
617-09-04-232-6821	09 04 232 6821	32	a, c	Straight	Wire Wrap Pins	20.0			
617-09-04-232-6831	09 04 232 6831	32	a, c	Straight	Solder Pins	4.0			
617-09-04-232-6826	09 04 232 6826	32	a, c	Right-Angle	Solder Pins	3.0			

◆ Order fixing bracket 09 06 000 9912 separately

3 Row Type E

For quantities greater than listed, call for quote.

MOUSER STOCK NO.	HARTING Part No.	No. of Contacts	Rows Loaded	Style	Termination Type	Pin Length (mm)	Price Each		
							1	10	25
Male									
617-09-05-148-6921	09 05 148 6921	48	a, c, e	Right-Angle	Solder Pins	3.0			
Female									
617-09-05-248-6831	09 05 248 6831	48	a, c, e	Straight	Solder Pins	4.0			
617-09-05-048-3202	09 05 048 3202	48	-	Right-Angle	Crimp Pins	-			

*Order contacts separately

3 Row Type F

For quantities greater than listed, call for quote.

MOUSER STOCK NO.	HARTING Part No.	No. of Contacts	Rows Loaded	Style	Termination Type	Pin Length (mm)	Price Each		
							1	10	25
Male									
617-09-06-132-6931	09 06 132 6931	32	z, d	Right-Angle	Solder Pins	3.0			
617-09-06-148-6901	09 06 148 6901	48	z, b, d	Right-Angle	Solder Pins	3.0			
Female									
617-09-06-248-6832	09 06 248 6832	48	z, b, d	Straight	Press-In Pins	5.5			
617-09-06-248-6834	09 06 248 6834	48	z, b, d	Straight	Solder Pins	4.5			
617-09-06-248-6835	09 06 248 6835	48	z, b, d	Straight	Solder Pins	4.5			
617-09-06-248-3201	09 06 248 3201	48	-	Cable Mount	Crimp Pins	-			

* Order contacts separately † Lower profile version

3 Row Interface Connector I-Complementary to Type F

For quantities greater than listed, call for quote.

MOUSER STOCK NO.	HARTING Part No.	No. of Contacts	Rows Loaded	Style	Termination Type	Pin Length (mm)	Price Each		
							1	10	25
Male									
617-09-06-048-2905	09 06 048 2905	48	z, b, d	Straight	Solder Pins	3.5			
Female									
617-09-06-048-2906	09 06 048 2906	48	z, b, d	Cable Mount	Crimp Pins	-			

*Order contacts separately

TYPE FC CRIMP CONTACTS FOR 6A DIN 41612 POWER CONNECTORS

- For 6 A Power Connector types D, E, and F

- Individual crimp contacts

For quantities greater than listed, call for quote.

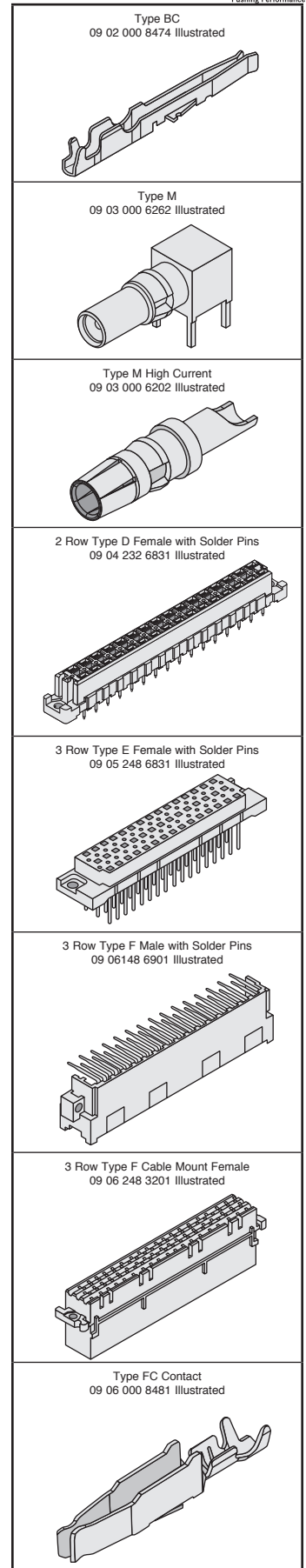
MOUSER STOCK NO.	HARTING Part No.	Description	Price Each		
			1	10	25
617-09-06-000-8481	09 06 000 8481	For female connectors type D, E and F - 26-20 AWG (FC2)			
617-09-06-000-8482	09 06 000 8482	For female connectors type D, E and F - 20-16 AWG (FC3)			
Performance Level 1 Plating (acc to DIN 41612, Part 5)					
617-09-06-000-8471	09 06 000 8471	For female connectors type D, E and F - 26-20 AWG (FC2)			
617-09-06-000-8472	09 06 000 8472	For female connectors type D, E and F - 20-16 AWG (FC3)			

© Copyright 2014 Mouser Electronics

For current pricing, visit mouser.com

EUsales@mouser.com

1503



Backplane/Card Edge HARTING

HARTING DIN 41612 Connectors, Tools and Accessories

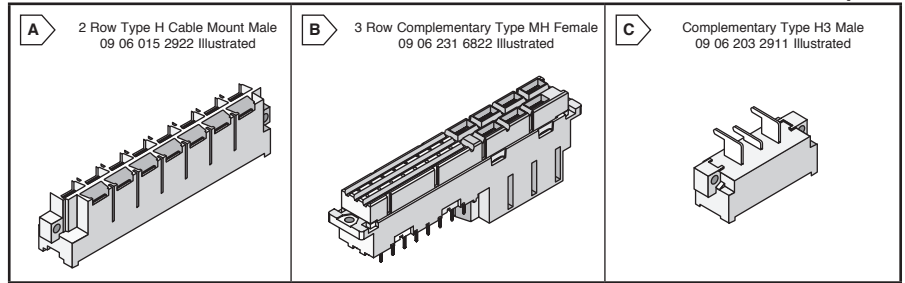


DIN 41612 POWER CONNECTORS

- Pitch: 5.08mm
- Current rating: 15A
- Temperature Range: -55°C to +125°C
- Contact Plating: Hard Silver Plated
- Contact resistance: $\leq 8m\Omega$
- Moldings: Thermoplastic resin, glass fiber filled - UL94V-0
- Contacts: Copper Alloy



- * LC1= Leading contact at position z32
- LC2= Leading contacts at position z4 and z32
- LMC= Leading middle contact



2 Row Type H

For quantities greater than listed, call for quote.

MOUSER STOCK NO.	HARTING Part No.	Fig.	No. of Contacts	Rows Loaded	Style	Termination Type	Pin Length (mm)	Leading * Contact	Price Each		
									1	10	25
Male											
617-09-06-015-2912	09 06 015 2912	A	15	z, d	Cable Mount	Faston 6.3 x 2.5	-	-			
617-09-06-015-2922	09 06 015 2922	A	13 + 2	z, d	Cable Mount	Faston 6.3 x 2.5	-	LC2			
617-09-06-115-2911	09 06 115 2911	A	15	z, d	Right-Angle	Solder Pins	3	-			
617-09-06-115-2932	09 06 115 2932	A	14 + 1	z, d	Right-Angle	Solder Pins	3	LC1			
617-09-06-115-2921	09 06 115 2921	A	13 + 2	z, d	Right-Angle	Solder Pins	3	LC2			
Female											
617-09-06-215-2821	09 06 215 2821	A	15	z, d	Straight	Solder Pins	4	-			
617-09-06-015-2813	09 06 015 2813	A	15	z, d	Cable Mount	Cage Clamp	-	-			
617-09-06-215-2811	09 06 215 2811	A	15	z, d	Cable Mount	Faston 6.3 x 2.5	-	-			
617-09-06-215-2871	09 06 215 2871	A	15	z, d	Cable Mount	Faston 6.3 x 2.5	-	-			

3 Row Complementary Type MH

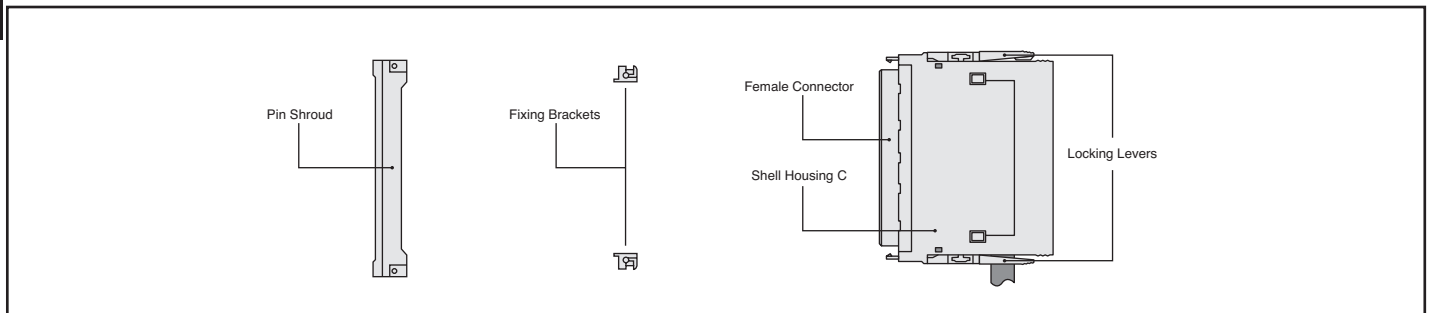
For quantities greater than listed, call for quote.

Male											
617-09-06-131-6922	09 06 131 6922	B	24 + 7	z, b, d	Right-Angle	Solder Pins	3	LC1			
Female											
617-09-06-231-6822	09 06 231 6822	B	24 + 7	z, b, d	Straight	Solder Pins	4.5	-			

Single Row Complementary Type H3

For quantities greater than listed, call for quote.

MOUSER STOCK NO.	HARTING Part No.	Fig.	No. of Contacts	Rows Loaded	Style	Termination Type	Pin Length (mm)	Leading * Contact	Price Each		
									1	10	25
Male											
617-09-06-203-2911	09 06 203 2911	C	3	-	Right-Angle	Solder Pins	3	LMC			
Female											
617-09-06-203-2811	09 06 203 2811	C	3	-	Straight	Solder Pins	4	-			



DIN 41612 ACCESSORIES

For quantities greater than listed, call for quote.

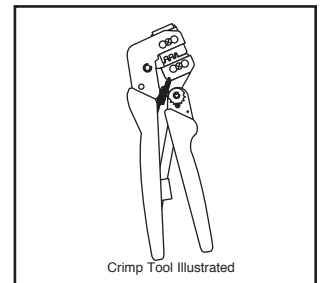
MOUSER STOCK NO.	HARTING Part No.	Description	Price Each			
			1	10	25	50
617-09-03-096-0501	09 03 096 0501	Shell housing C for female connectors types C, D				
617-09-02-000-9919	09 02 000 9919	Left fixing bracket for shell housing C - fits male connectors type B, C, D, E				
617-09-02-000-9920	09 02 000 9920	Right fixing bracket for shell housing C - fits male connectors type B, C, D, E				
617-09-02-000-9902	09 02 000 9902	Left locking lever for shell housing C				
617-09-02-000-9903	09 02 000 9903	Right locking lever for shell housing C				
617-09-02-000-9909	09 02 000 9909	Locking screw for shell housing C				
617-09-02-000-9911	09 02 000 9911	Round cable insert for shell housing C				
617-09-03-000-9969	09 03 000 9969	Pin shroud for 13mm wire wrap pins				
617-09-03-000-9964	09 03 000 9964	Pin shroud for 17mm wire wrap pins				
617-09-06-048-0521	09 06 048 0521	Shell housing D20 for types F, H, and MH 20mm hood width				
* 617-09-06-000-9912	09 06 000 9912	Fixing bracket for Type D right-angle female				
* 617-09-03-000-9914	09 03 000 9914	Locking lever for female connector type C				
* 617-09-03-000-9913	09 03 000 9913	Locking lever for female connector type R				

* Order 2 pcs per connector

DIN 41612 TOOLS

For quantities greater than listed, call for quote.

MOUSER STOCK NO.	HARTING Part No.	Description	Price Each	
			1	5
617-09-99-000-0620	09 99 000 0620	Crimping tool for types BC and FC individual contacts		
617-09-99-000-0621	09 99 000 0621	Crimp set for individual contacts 28-24 AWG (BC and FC1)		
617-09-99-000-0622	09 99 000 0622	Crimp set for individual contacts 26-20 AWG (FC 2)		
617-09-99-000-0623	09 99 000 0623	Crimp set for individual contacts 20-16 AWG (FC 3)		
617-09-99-000-0630	09 99 000 0630	Spare locator for type BC contacts		
617-09-99-000-0100	09 99 000 0100	Insertion tool for type BC contacts		
617-09-99-000-0101	09 99 000 0101	Removal tool for type BC contacts		
617-09-99-000-0631	09 99 000 0631	Spare locator for types FC contacts		
617-09-99-000-0088	09 99 000 0088	Insertion tool for types FC contacts		
617-09-99-000-0087	09 99 000 0087	Removal tool for types FC contacts		
617-09-99-000-0174	09 99 000 0174	Removal tool for Type M		

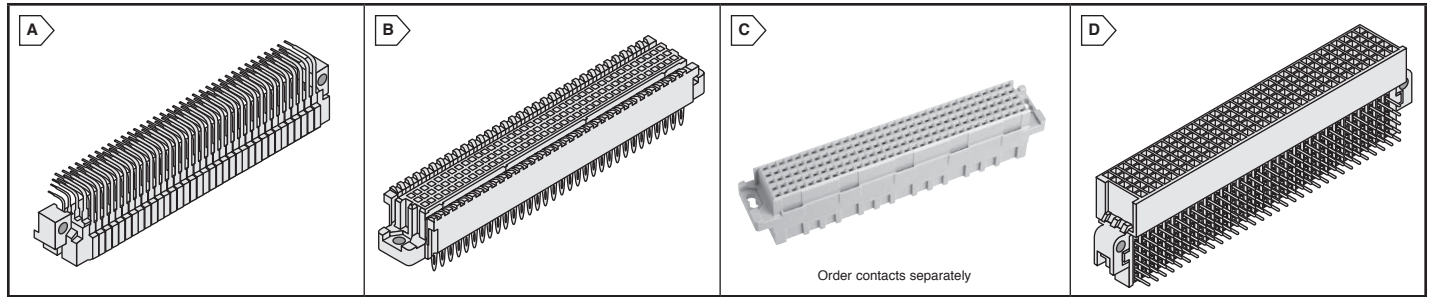


HARTING har-bus® 64 and 2mm Hard Metric Connectors



HAR-BUS® 64 VME64X EXTENSIONS CONNECTOR SYSTEM

- IEC 61 076-4-113
- 100% Backward Compatible to 3 Row 96 pin DIN 41612 Connectors
- Male Pre-leading contacts at positions d1, d2, d31, and d32
- Current rating: 1A (at 70°C and all contacts loaded)
- Contact Plating: Performance Level 1 and 2 plating (acc to DIN41612, part 5)
- Pitch: 2.54mm
- Temperature Range: -55°C to +125°C
- Contact Resistance: Rows a, b, c: ≤20mΩ
Rows z, d: ≤30mΩ
- Moldings: Male connectors LCP
- Female connectors UL94V-0
- Contacts: Copper Alloy
- UL Approved



MOUSER STOCK NO.	HARTING Part No.	Fig.	VME Location	No. of Rows	No. of Contacts	Contact Gender	Rows Loaded	Style	Term.	Pin Length (mm)	Price Each					
											1	10	25	50		
Standard																
* 617-02-01-160-1101	02 01 160 1101	A	P1 or P2	5	160	Male	z, a, b, c, d	Right-Angle	Solder Pins	3.0						
617-02-01-160-2101	02 01 160 2101	A	P1 or P2	5	160	Male	z, a, b, c, d	Right-Angle	Solder Pins	3.0						
*: 617-02-01-160-2102	02 01 160 2102	A	P1 or P2	5	160	Male	z, a, b, c, d	Right-Angle	Solder Pins	3.0						
617-02-02-160-2201	02 02 160 2201	B	J1	5	160	Female	z, a, b, c, d	Straight	Press-In	5.0						
† 617-02-02-160-2202	02 02 160 2202	B	-	5	160	Female	z, a, b, c, d	Straight	Press-In	5.0						
617-02-02-160-2301	02 02 160 2301	B	J2	5	160	Female	z, a, b, c, d	Straight	Press-In	17.0						
†† 617-02-05-000-0005	02 05 000 0005	C	-	5	160	Female	a,b,c,d,e	Cable Mount	Crimp Pins	-						
†† 617-02-05-000-0004	02 05 000 0004	C	-	5	160	Female	z,a,b,c,d	Cable Mount	Crimp Pins	-						
†† 617-02-05-000-0003	02 05 000 0003	C	-	5	160	Female	Rev a,b,c,d,e	Cable Mount	Crimp Pins	-						
Standard - SnPb																
617-02011601105	02 01 160 1105	A	P1 or P2	5	160	Male	z, a, b, c, d	Right-Angle	Solder Pins	3.0						
*: 617-02011601106	02 01 160 1106	A	P1 or P2	5	160	Male	z, a, b, c, d	Right-Angle	Solder Pins	3.0						
Angled Females Complementary to IEC 61 076-4-113																
* 617-02-04-160-1101	02 04 160 1101	D	-	5	160	Female	z, a, b, c, d	Right-Angle	Solder Pins	2.9						
* 617-02-07-160-1101	02 07 160 1101	D	-	5	160	Female	z, a, b, c, d	Right-Angle	Solder Pins	2.9						

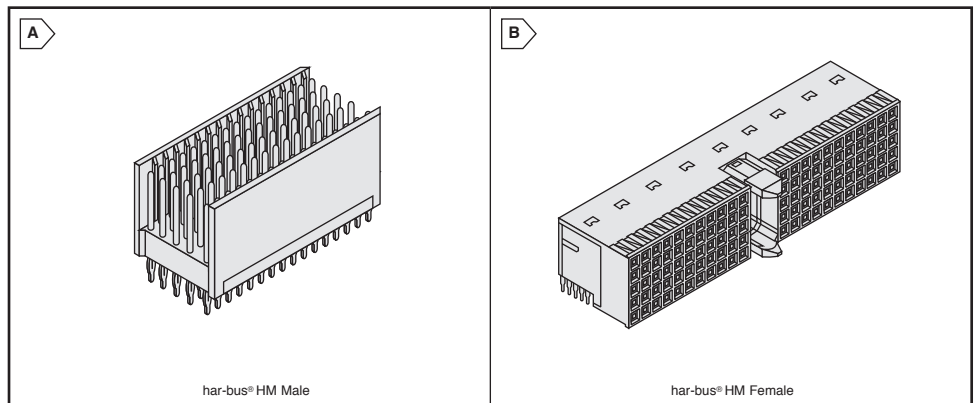
* Performance Level 1 Plating (acc to DIN41612, Part 5) *: With Snap-In Clips † Without Fixing Flange †† Order Contacts Separately

Accessories

MOUSER STOCK NO.	HARTING Part No.	Description	Price Each
617-02-05-000-1513	02 05 000 1513	Individual Contacts for Female Connectors; PL1; 28-20awg	
617-02-05-000-2513	02 05 000 2513	Individual Contacts for Female Connectors; PL2; 28-20awg	
617-02-05-000-1512	02 05 000 1512	Reel of 500 Contacts for Female Connectors; PL1; 28-20awg	
617-02-05-000-2512	02 05 000 2512	Reel of 500 Contacts for Female Connectors; PL2; 28-20awg	
617-02-44-000-0001	02 44 000 0001	Pin Shroud for rear plug use - 160p - 3.4mm Max PCB Thickness	

HAR-BUS® HM - 2MM HARD METRIC CONNECTORS FOR COMPACT PCI®

- CompactPCI® as a standard is maintained and enhanced by the PICMG
- IEC 61 076-4-101
- Pitch: 2.0mm
- Contact resistance: 20mΩ
- Press in termination
- Temperature range: -55°C to +125°C
- Contact Plating: Performance Level 2 plating (acc to IEC 61 076-4-101)
- UL Approved
- Contacts: Copper Alloy
- Moldings: Thermoplastic resin, glass fiber filled
- Type A includes Multi purpose center for guiding, keying, and polarizing



MOUSER STOCK NO.	HARTING Part No.	Fig.	CompactPCI® Location	Type	No. of Contacts	Style	Term.	Contact Length (mm)		Price Each				
								Mating Side	Term. Side	1	10	25	50	
Male - Compact PCI														
* 617-17-01-154-2203	17 01 154 2203	A	P1	A	154	Straight	Press In	8.2/9.7/11.2	3.7					
† 617-17-01-154-2204	17 01 154 2204	A	P1 or P4	A	154	Straight	Press In	8.2/9.7/11.2	3.7					
617-17-05-133-2602	17 05 133 2602	A	J0	B	133	Straight	Press In	8.2/11.2	16					
617-17-05-133-2603	17 05 133 2603	A	P3	B	133	Straight	Press In	8.2 11.2	16					
617-17-04-154-2203	17 04 154 2203	A	P2 or P5	B	154	Straight	Press In	9.7/11.2	3.7					
Female														
† 617-17-21-110-2102	17 21 110 2102	B	J1 or J4	A	110	Right-Angle	Press In	-	3.4					
† 617-17-25-095-2102	17 25 095 2102	B	J3 or P0	B	95	Right-Angle	Press In	-	3.4					
617-17-24-110-2101	17 24 110 2101	B	J2 or J5	B	110	Right-Angle	Press In	-	3.4					
† 617-17-24-110-2102	17 24 110 2102	B	J2 or J5	B	110	Right-Angle	Press In	-	3.4					
† 617-17-23-055-2102	17 23 055 2102	B	-	C	55	Right-Angle	Press In	-	3.4					

* Compact PCI and Compact PCI Hot Swap
† With upper shield, lower shield available upon request

MOLEX Card Edge Connectors

 **This product is RoHS compliant.**

PCI EXPRESS™ MINICARD CONNECTOR

Features:

- Meets PCI Express® Mini Card Electromechanical Specification Revision 1.2
- Low profile (Low mounted height)
- Polarization key

Specifications:

- Voltage (max.): 50VAC
- Current (max.): 0.5A
- Housing: LCP, 35% Glass-filled, UL94-V0, Black
- Withstanding Voltage: 300VAC

Applications:

- Notebook
- Wireless Adapters
- Bluetooth interfaces
- Ethernet Adapters
- Modems
- High-speed Network Interfaces

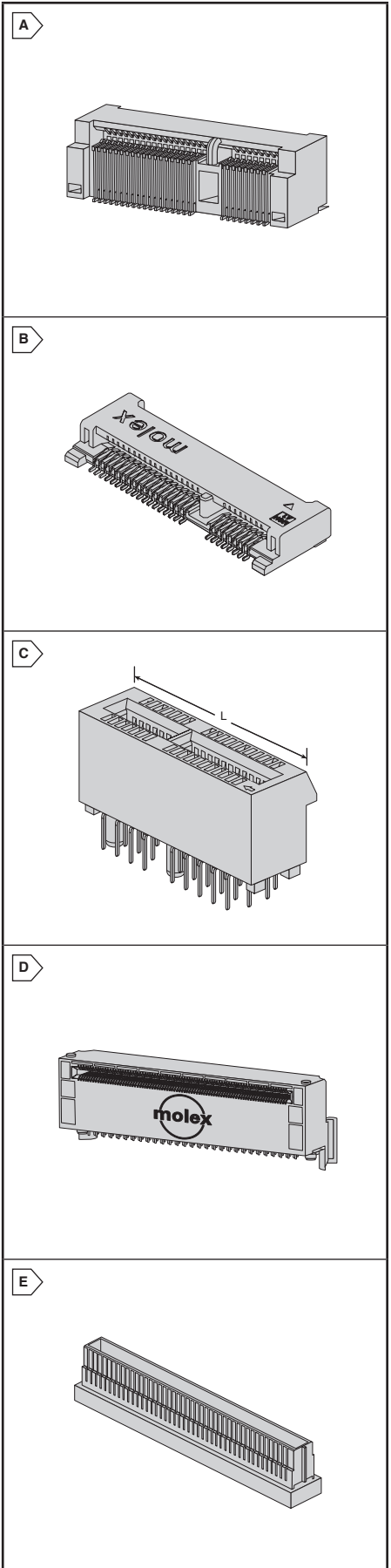
NEW!
TECHNOLOGY



RoHS Compliant

For quantities greater than listed, call for quote.

MOUSER STOCK NO.	Molex Part No.	Fig.	Description	Circuits	Pitch mm (in.)	Height mm (in.)	Price Each		
							1	10	100
538-48338-0040	48338-0040	A	Right Angle, SMT with pegs	52	0.80 (.031)	4.00 (.157)			
538-48338-0052	48338-0052	A	Right Angle, SMT with pegs	52	0.80 (.031)	5.20 (.220)			
538-48338-0056	48338-0056	A	Right Angle, SMT with pegs	52	0.80 (.031)	5.60 (.226)			
538-48338-0057	48338-0057	A	Right Angle, SMT with pegs	52	0.80 (.031)	5.75 (.226)			
538-48338-0065	48338-0065	A	Right Angle, SMT with pegs	52	0.80 (.031)	6.50 (.256)			
538-48338-0068	48338-0068	A	Right Angle, SMT with pegs	52	0.80 (.031)	6.80 (.268)			
538-48338-0070	48338-0070	A	Right Angle, SMT with pegs	52	0.80 (.031)	7.00 (.276)			
538-48338-0075	48338-0075	A	Right Angle, SMT with pegs	52	0.80 (.031)	7.50 (.295)			
538-48338-0080	48338-0080	A	Right Angle, SMT with pegs	52	0.80 (.031)	8.00 (.315)			
538-48338-0085	48338-0085	A	Right Angle, SMT with pegs	52	0.80 (.031)	8.50 (.335)			
538-48338-0099	48338-0099	A	Right Angle, SMT with pegs	52	0.80 (.031)	9.90 (.390)			
538-67910-5700	67910-5700	B	Right Angle, SMT	52	0.80 (.031)	5.75 (.226)			



Molex Backplane/Card Edge

PCI EXPRESS™ CARDEDGE CONNECTORS

Features:

- Complies with the PCI SIG spec
- Supports 2.5Gbps data transfer rate
- Scalable modular design
- Enables hot plug and hot swap
- Lead Free
- Top Entry

Specifications:

- Pitch: 1.00mm (.039")
- Current: 1.1A
- Voltage: 50V
- Housing Material: Nylon 4/6, glass-filled, UL94V-0
- Color: Black
- Contact: Phosphor Bronze



RoHS Compliant

For quantities greater than listed, call for quote.

MOUSER STOCK NO.	Molex Part No.	Fig.	Description	Circuits	Dimen. L (mm)	Tail Length	Price Each			
							1	10	25	50
15µ" Gold Contact Plating										
538-87715-9005	87715-9005	C	Vertical, Thru-hole with plastic pegs	36	25	3.0mm				
538-87715-9105	87715-9105	C	Vertical, Thru-hole with plastic pegs	64	39	3.0mm				
538-87715-9205	87715-9205	C	Vertical, Thru-hole with plastic pegs	98	56	3.0mm				
538-87715-9305	87715-9305	C	Vertical, Thru-hole with plastic pegs	164	89	3.0mm				
30µ" Gold Contact Plating										
538-87715-9006	87715-9006	C	Vertical, Thru-hole with plastic pegs	36	25	2.54mm				
538-87715-9106	87715-9106	C	Vertical, Thru-hole with plastic pegs	64	39	2.54mm				
538-87715-9206	87715-9206	C	Vertical, Thru-hole with plastic pegs	98	56	2.54mm				
538-87715-9306	87715-9306	C	Vertical, Thru-hole with plastic pegs	164	89	2.54mm				

.75MM AMC B+ CONNECTORS

Features:

- Transmission Speed: up to 10Gbps
- Meets PICMG AMC.0 Rev 1 spec

Specifications:

- Voltage: 30V
- Current: 0.5A max.
- Mating PCB Thickness: 2.40mm (.093")
- Housing: High Temp Thermoplastic



RoHS Compliant

For quantities greater than listed, call for quote.

MOUSER STOCK NO.	Molex Part No.	Fig.	Number of Circuits	Termination Style	Contact Area Plating	PC Tail Plating	Height	Price Each			
								1	10	25	100
538-75800-0001	75800-0001	D	170	Press-Fit	Gold	Tin	21.85mm				

.75MM MICROTCA CONNECTORS

Features:

- Transmission Speed: up to 12.5Gbps
- Stitched contact design

Specifications:

- Mating PCB Thickness: 1.57mm (.062")
- Housing: Glass Filled Thermoplastic
- Current: 1.5A max.
- Voltage: 250VAC max.



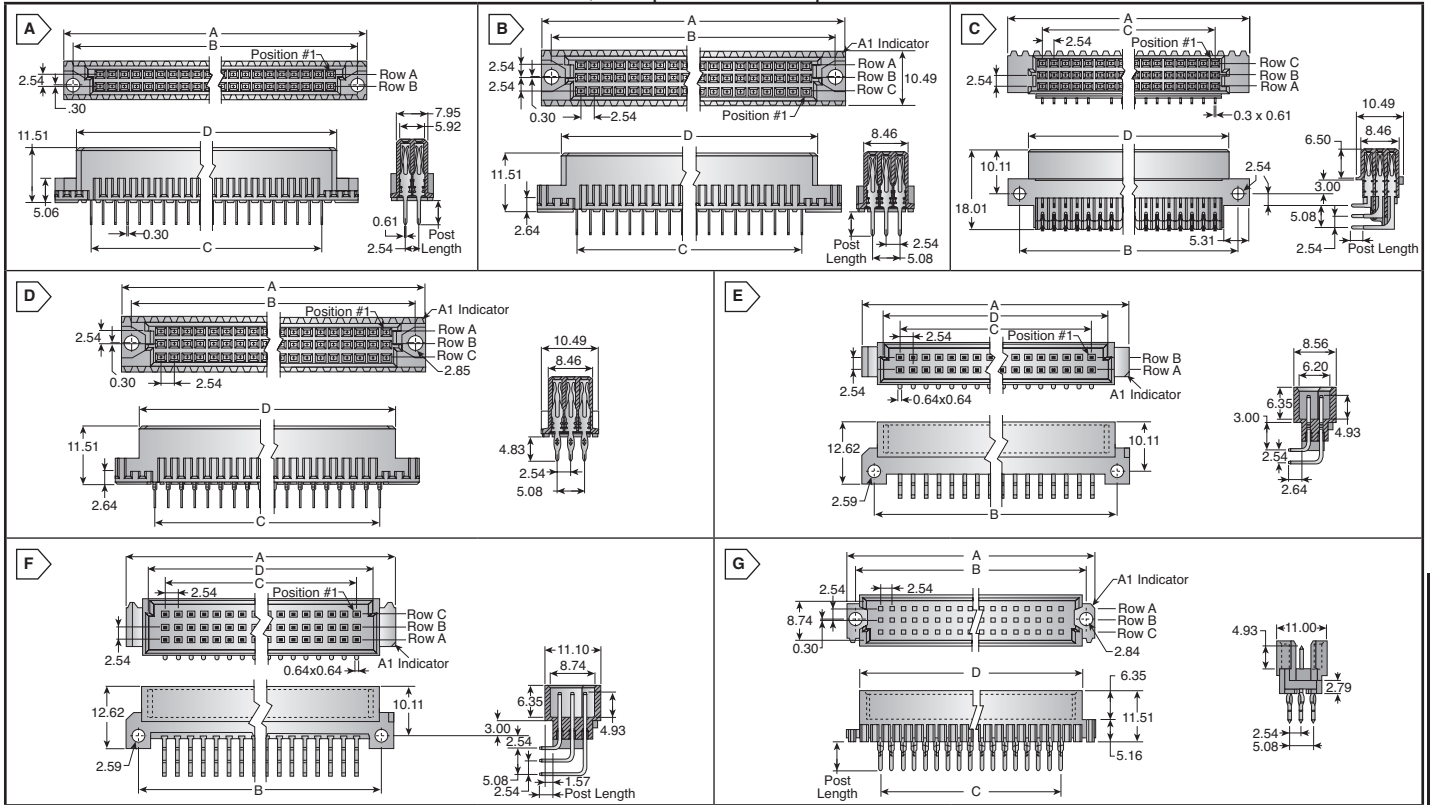
RoHS Compliant

For quantities greater than listed, call for quote.

MOUSER STOCK NO.	Molex Part No.	Fig.	Number of Circuits	Termination Style	Contact Area Plating	PC Tail Plating	Height	Price Each			
								1	10	25	100
538-75594-0000	75594-0000	E	170	Press-Fit	Gold	Tin	12.31mm				

TE CONNECTIVITY DIN 41612 Connectors

RoHS Compliant This product is RoHS compliant.



AMP Eurocard Connectors incorporate internationally accepted design advantages of DIN 41612 and IEC 603-2 two-piece connectors with the universally known quality, service and delivery of AMP products. The Eurocard Connectors meet DIN 41612 and IEC 603-2 specifications.

EUROCARD RECEPTACLE ASSEMBLIES

Specifications:

- Housing: Polyester, Grey, 94V-0 rated
- Plating: Gold flash over .000030 Palladium/Nickel in mating area, Tin Lead on tails, all over .000050 Nickel
- Contacts: Phosphor bronze



MOUSER STOCK NO.	TE Part No.	Fig.	Type	No. of Contacts	Style	Rows Loaded	Dimensions (mm)				Post Length (mm)	Price Each			
							A	B	C	D		1	25	50	100
							For quantities greater than listed, call for quote.								
Receptacle Assemblies with Solder Posts															
571-5650858-5	5650858-5	A	1/2 B	32	Vertical	a, b	54.34	49.35	38.10	44.35	4.57				
571-5650861-5	5650861-5	A	B	64	Vertical	a, b	93.96	90.00	78.74	85.00	4.57				
571-5535091-5	5535091-5	B	1/2 C	48	Vertical	a, b, c	53.34	49.37	38.10	44.35	2.49				
571-5535070-5	5535070-5	B	1/2 C	48	Vertical	a, b, c	53.34	49.37	38.10	44.35	3.30				
571-5650458-5	5650458-5	B	C	64	Vertical	a, c	93.98	90.00	78.74	85.00	2.49				
571-5535089-5	5535089-5	B	C	96	Vertical	a, b, c	93.98	90.00	78.74	85.00	2.49				
571-5535090-5	5535090-5	B	C	96	Vertical	a, b, c	93.98	90.00	78.74	85.00	3.30				
571-5535043-5	5535043-5	B	C	96	Vertical	a, b, c	93.98	90.00	78.74	85.00	4.57				
571-5650868-5	5650868-5	C	1/2 R	48	Right-Angle	a, b, c	53.24	48.26	38.10	44.35	2.79				
571-5650870-5	5650870-5	C	R	64	Right-Angle	a, c	93.87	88.90	78.74	85.00	2.79				
571-5650461-5	5650461-5	C	R	96	Right-Angle	a, b, c	93.87	88.90	78.74	85.00	2.79				
Receptacle Assemblies with Action Pin Posts															
571-535068-5	535068-5	D	1/2 C	32	Vertical	a, c	53.34	49.37	38.10	44.35	4.83				
571-535034-5	535034-5	D	1/2 C	48	Vertical	a, b, c	53.34	49.37	38.10	44.35	4.83				
571-5350324	535032-4	D	C	96	Vertical	a, b, c	93.98	90.00	78.74	85.00	4.83				

EUROCARD PIN HEADERS

Specifications:

- Housing: Polyester, Gray, 94V-0 rated
- Plating: Gold flash over .000030 Palladium/Nickel in mating area, Tin Lead on tails, all over .000050 Nickel
- Contacts: Brass; Pin assemblies with action posts are Phosphor Bronze



For quantities greater than listed, call for quote.															
Pin Assemblies with Solder Posts	TE Part No.	Fig.	Type	No. of Contacts	Style	Rows Loaded	Dimensions (mm)				Post Length (mm)	Price Each			
							A	B	C	D		1	25	50	100
571-5536053-5	5536053-5	E	1/2 B	32	Right-Angle	a, b	53.34	48.26	38.10	44.65	2.64				
571-5536052-5	5536052-5	E	B	64	Right-Angle	a, b	93.98	88.90	78.74	85.29	2.64				
571-5650478-5	5650478-5	F	1/2 C	48	Right-Angle	a, b, c	53.34	48.26	38.10	44.65	2.64				
571-5650948-5	5650948-5	F	1/2 C	48	Right-Angle	a, b, c	53.34	48.26	38.10	44.65	3.30				
571-5650945-5	5650945-5	F	C	64	Right-Angle	a, c	93.98	88.90	78.74	85.29	2.64				
571-5650473-5	5650473-5	F	C	96	Right-Angle	a, b, c	93.98	88.90	78.74	85.29	2.64				
Pin Assemblies with Action Pin Posts															
571-6509185	650918-5	G	1/2 R	48	Vertical	a, b, c	54.37	49.35	38.10	47.37	6.35				
571-650912-5	650912-5	G	R	64	Vertical	a, c	95.00	90.00	78.74	88.01	6.35				
571-6508895	650889-5	G	R	96	Vertical	a, b, c	95.00	90.00	78.74	88.01	6.35				

Products may be RoHS compliant. Check mouser.com for RoHS status.

Z-PACK HM-ZD PLUS CONNECTORS

Features:

- 15 - 20Gb/s performance
- Fully plug compatible with current Z-PACK HM-Zd backplane connector configurations
- Connector upgrade including reduced crosstalk and skew, tighter impedance control, and improved signal throughput
- Ideal for next generation AdvancedTCA designs
- PCB footprint enhanced for lower crosstalk and improved impedance while permitting easier trace routing



For quantities greater than listed, call for quote.

MOUSER STOCK NO.	TE Part No.	Fig.	Description	Price Each			
				1	25	100	250
571-2065769-1	2065769-1	A	Receptacle Assembly, 2 Pair				
571-2065657-1	2065657-1	A	Receptacle Assembly, 4 Pair				

Z-PACK HM-ZD

- Designed for high speed differential applications
- Modular connector system with a standard module size of 25mm
- 4 signal contact pairs per column compatible with 8 row HM
- Contact pitch is 1.55mm within a pair; 3.0mm pair to pair
- Column to column pitch is 2.5mm
- Card pitch is 1.0" for 40 pair headers

For quantities greater than listed, call for quote.

MOUSER STOCK NO.	TE Part No.	Fig.	Description	Price Each			
				1	5	10	25
571-6469001-1	6469001-1	B	Receptacle Assembly, 40 pair				
571-6469002-1	6469002-1	C	Header Assembly, 40 pair				

Z-PACK 2MM FB (FUTUREBUS+) CONNECTORS

- High density connections: 4 row, 2mm x 2mm circuit grid
- Compatible to IEC67076-4-0X(48B) and EIA SP3179
- Current Rating: Signal Contacts: 1A, Power Contacts: 4.6A
- Bellcore approved

For quantities greater than listed, call for quote.

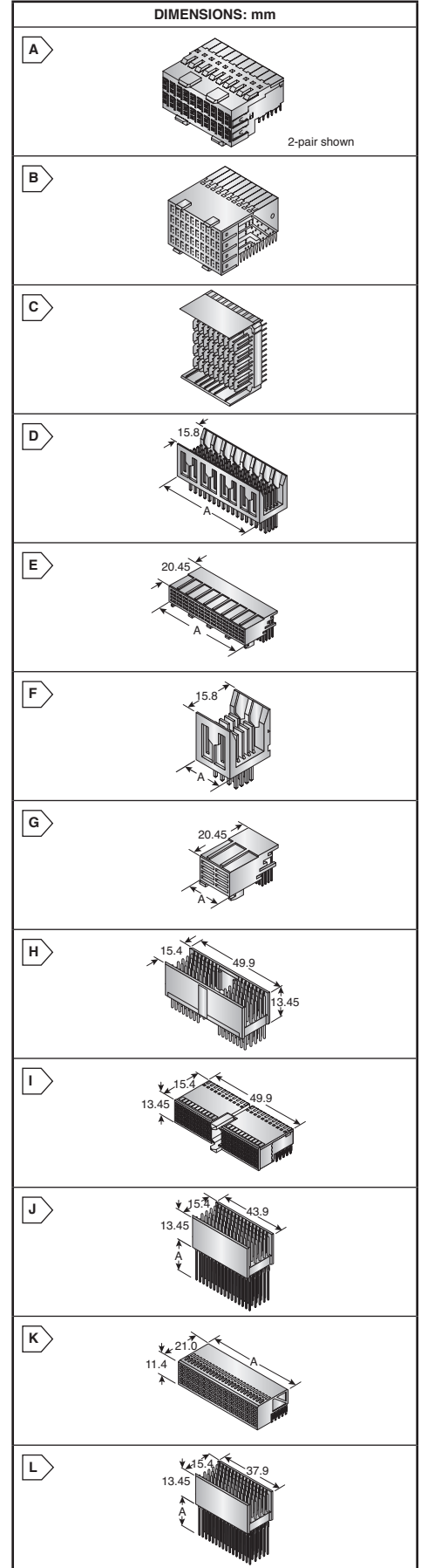
MOUSER STOCK NO.	TE Part No.	Fig.	No. of Pos.	Lead Type	Lead Length (mm)	Dim. A (mm)	Price Each			
							1	25	50	100
Signal Module, Vertical Pin										
571-5536501-1	5536501-1	D	24	Solder	4.25	11.88				
571-5536501-2	5536501-2	D	48	Solder	4.25	23.88				
571-5536501-3	5536501-3	D	96	Solder	4.25	47.88				
571-5536501-4	5536501-4	D	192	Solder	4.25	95.88				
571-5536504-2	5536504-2	D	48	Press-Fit	4.25	23.88				
571-5536504-3	5536504-3	D	96	Press-Fit	4.25	47.88				
571-5536504-4	5536504-4	D	192	Press-Fit	4.25	95.88				
Signal Module, Right Angle Receptacle										
571-5536507-1	5536507-1	E	24	Solder	2.73	11.88				
571-5536507-2	5536507-2	E	48	Solder	2.73	23.88				
571-5536507-3	5536507-3	E	96	Solder	2.73	47.88				
571-5536507-6	5536507-6	E	120	Solder	2.73	59.88				
571-5536507-4	5536507-4	E	192	Solder	2.73	95.88				
571-5536510-3	5536510-3	E	96	Solder	3.53	47.88				
571-5536510-4	5536510-4	E	192	Solder	3.53	95.88				
Power Module, Vertical Pin										
571-5536600-1	5536600-1	F	8	Solder	4.25	11.83				
571-5536603-1	5536603-1	F	8	Press-Fit	4.25	11.83				
Power Module, Right Angle Receptacle										
571-5536607-1	5536607-1	G	8	Solder	2.73	11.88				
571-5536614-1	5536614-1	G	8	Press-Fit	3.56	11.88				

Z-PACK 2MM HM CONNECTORS FOR COMPACT PCI

- High density system with small real estate on backplane and daughter card
- In accordance with IEC 917 and IEC 61076-4-101
- Universal Power Module rated at 7.8A/line, 23.4A fully energized
- Signal Contact Rating: 1.5A fully energized
- 5 + 2 Row Configuration

For quantities greater than listed, call for quote.

MOUSER STOCK NO.	TE Part No.	Fig.	Description	Dim. A (mm)	Price Each			
					1	25	50	100
571-5188834-1	5188834-1	H	110P Type A Vertical Male; Feed-To	-				
571-51005256	5-100525-6	-	3.3V Key for 110P Type A Male	-				
571-31005252	3-100525-2	-	5V Key for 110P Type A Male	-				
571-5352068-1	5352068-1	I	110P Type A Right Angle Female	-				
571-51005266	5-100526-6	-	3.3V Key for 110P Type A Female	-				
571-31005262	3-100526-2	-	5V Key for 110P Type A Female	-				
571-5188835-1	5188835-1	J	110P Type B Vertical Male; Feed-To	3.7				
571-5352128-1	5352128-1	J	110P Type B Vertical Male; Feed-Thru	14.5/16.0				
571-5352152-1	5352152-1	K	125P Type B Right Angle Female; 22 Col.	49.9				
571-5352171-1	5352171-1	K	125P Type B Right Angle Female; 19 Col.	37.9				
571-5352033-1	5352033-1	L	95P Type B Vertical Male; Feed-To	3.7				
571-5352127-1	5352127-1	L	95P Type B Vertical Male; Feed-Thru	14.5/16.0				



TE CONNECTIVITY Z-Pack Connectors

The AMP Z-PACK 2mm HM Interconnection System offers unparalleled, space-saving flexibility for the circuit design of free and fixed/backplane boards, in front side and midplane arrangements, with accompanying cable connectors and lead assemblies. This family of AMP connectors is designed in compliance with IEC 917 (DIN 43355) and IEC 1076-4-101. It also meets the requirements of CPCL and VME 64 PO/JO applications and is qualified by Bellcore as defined by TR-NWT-001217.

Z-PACK 2MM HARD METRIC

Materials and Finish:

- Glass filled polyester housing, grey, UL94V-0 rated
- Phosphor-bronze signal contacts
- Contact area: 0.8 μ m (.000030) Au over 1.3 μ m (.000050) Ni

Vertical Male Connectors, 5 Row - Short Tail

For quantities greater than listed, call for quote.

MOUSER STOCK NO.	TE Part No.	Fig.	Description	Price Each			
				1	25	50	100
571-5100143-1	5100143-1	A	Type A with locating peg, 5 Row				
571-5100668-1	5100668-1	A	Type A with locating peg, 5+2 Row				
571-5100141-1	5100141-1	B	Type B, 25 Column, 5 Row				
571-5100669-1	5100669-1	B	Type B, 25 Column, 5+2 Row				
571-5100159-1	5100159-1	C	Type C, 5 Row				
571-5106081-1	5106081-1	C	Type C, 5+2 Row				

Right Angle Female Connectors, 5 Row

For quantities greater than listed, call for quote.

Standard							
571-5100147-1	5100147-1	D	Type A				
571-5100145-1	5100145-1	E	Type B				
571-5100161-1	5100161-1	F	Type C				
Shielded							
571-5352068-1	5352068-1	D	Type A				
571-5352069-1	5352069-1	E	Type B				
571-5352171-1	5352171-1	E	Type B, 19 Column				
571-5352152-1	5352152-1	E	Type B, 22 Column				
571-5352115-1	5352115-1	F	Type C				

Right Angle Female Connectors, 5 Row

For quantities greater than listed, call for quote.

Shielded							
571-5646489-1	5646489-1	G	Type A/B, 22 Column				
571-5646488-1	5646488-1	G	Type A/B, 19 Column				

Right Angle Male Connectors, 5 Row

For quantities greater than listed, call for quote.

Standard							
571-5106015-1	5106015-1	H	Type A				
571-5106014-1	5106014-1	H	Type B				
571-5352131-1	5352131-1	H	Type B, 22 Column				
571-5352406-1	5352406-1	H	Type B, 19 Column				
571-5106012-1	5106012-1	H	Type C				

Vertical Female Connectors, 5 Row

For quantities greater than listed, call for quote.

571-5106773-1	5106773-1	I	Type A with out locating peg				
571-5106775-1	5106775-1	I	Type C				

CODING KEYS

Material:

- Glass filled Polyimide 6.6

For quantities greater than listed, call for quote.

MOUSER STOCK NO.	TE Part No.	Fig.	Description	Price Each			
				1	25	50	100
For Male Connectors							
571-100525-3	100525-3	J	Nut Brown				
571-1005259	100525-9	J	Strawberry Red				
For Female Connectors							
571-1005269	100526-9	K	Strawberry Red				

COMPACT PCI CONNECTORS

RJ3 Type:

- 95 signal contacts
- Length: 37.9mm (1.492")
- Rear transition card applications

RJ5 Type:

- 110 signal contacts
- Length: 43.9mm (1.728")
- Rear transition card applications

P1 Type:

- 110 signal contacts
- Length: 49.9mm (1.964")
- Backplane applications

For quantities greater than listed, call for quote.

MOUSER STOCK NO.	TE Part No.	Fig.	Description	Price Each			
				1	25	50	100
571-5646488-1	5646488-1	G	RJ3 Type AB Right Angle Female with Shield				
571-5646489-1	5646489-1	G	RJ5 Type AB Right Angle Female with Shield				
571-5352332-1	5352332-1	L	P1 Type A Vertical Males Feed-To (Hot Swap)				

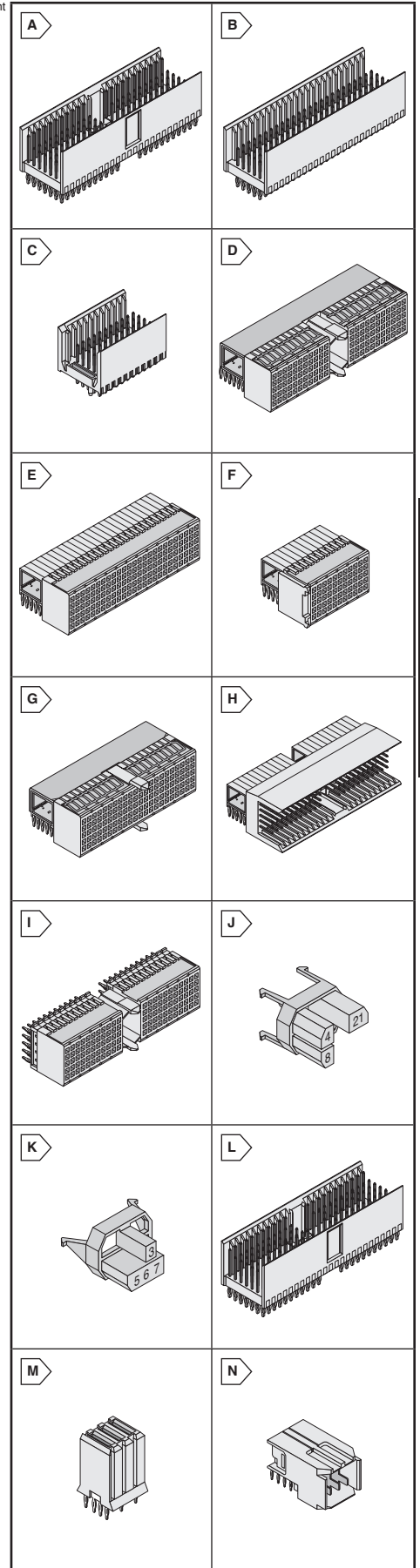
UNIVERSAL POWER MODULE

Specifications:

- Housing: Volox, natural color
- UL94V-0 Rated

For quantities greater than listed, call for quote.

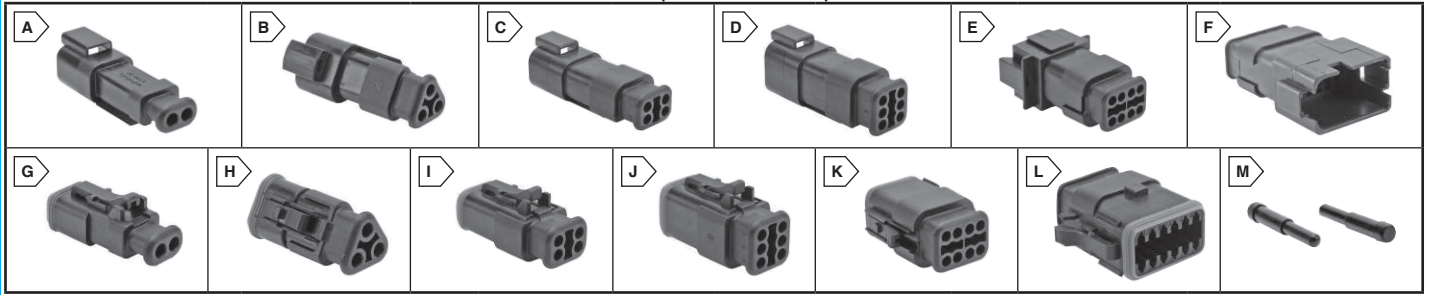
MOUSER STOCK NO.	TE Part No.	Fig.	Description	Price Each			
				1	25	50	100
571-5223955-2	5223955-2	M	Vertical Receptacle, ABC Position Loaded				
571-5223961-1	5223961-1	N	Right Angle Header, R-Pegs				



Backplane/Card Edge
TE Connectivity

AMPHENOL® AT and ATM Series™ Connectors Amphenol®

RoHS Compliant. This product is RoHS compliant.



AT SERIES™ WITH STRAIN RELIEF

Features a 1-piece integrated design that maintains the rear seal at approximately 50% lower cost than industry parts. The wire cavities protect each individual wire seal, eliminating stress on the rear seal to maintain IP67 sealing performance regardless of wire bundle direction or improper installation. SR01 and SR02 Series Connectors provide a complete environmental seal and strain relief on the production line and in the field. In addition, the design eliminates the need to assemble costly backshells or boots in the field.

Sealed Receptacles with Strain Relief

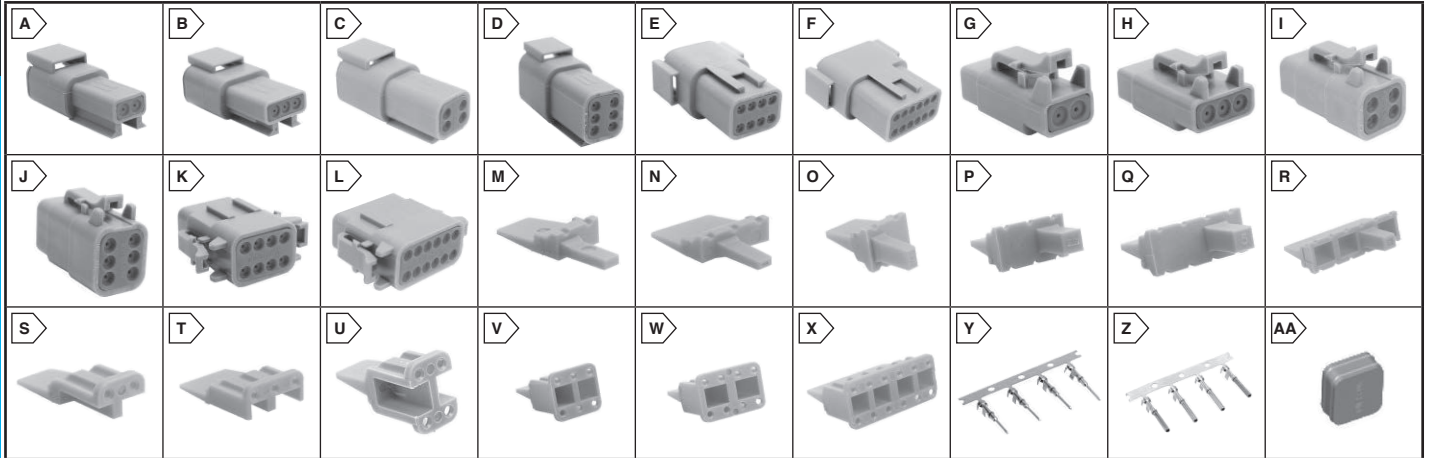
MOUSER STOCK NO.	Amphenol Part No.	Fig.	No. of Positions	Price Each			
				1	100	500	1000
Standard							
654-AT04-2P-SR01BLK	AT04-2P-SR01BLK	A	2				
654-AT04-3P-SR01BLK	AT04-3P-SR01BLK	B	3				
654-AT04-4P-SR01BLK	AT04-4P-SR01BLK	C	4				
654-AT04-6P-SR01BLK	AT04-6P-SR01BLK	D	6				
654-AT04-08PA-SRBK	AT04-08PA-SRBK	E	8				
654-AT04-12PA-SRBK	AT04-12PA-SRBK	F	12				
Reduced Diameter Seal							
654-AT04-2P-SR02BLK	AT04-2P-SR02BLK	A	2				
654-AT04-3P-SR02BLK	AT04-3P-SR02BLK	B	3				
654-AT04-4P-SR02BLK	AT04-4P-SR02BLK	C	4				
654-AT04-6P-SR02BLK	AT04-6P-SR02BLK	D	6				
654-AT04-08PA-SR2BK	AT04-08PA-SR2BK	E	8				
654-AT04-12PA-SR2BK	AT04-12PA-SR2BK	F	12				

Sealed Plugs with Strain Relief

MOUSER STOCK NO.	Amphenol Part No.	Fig.	No. of Positions	Price Each			
				1	100	500	1000
Standard							
654-AT06-2S-SR01BLK	AT06-2S-SR01BLK	G	2				
654-AT06-3S-SR01BLK	AT06-3S-SR01BLK	H	3				
654-AT06-4S-SR01BLK	AT06-4S-SR01BLK	I	4				
654-AT06-6S-SR01BLK	AT06-6S-SR01BLK	J	6				
654-AT06-08SA-SRBK	AT06-08SA-SRBK	K	8				
654-AT06-12SA-SRBK	AT06-12SA-SRBK	L	12				
Reduced Diameter Seal							
654-AT06-2S-SR02BLK	AT06-2S-SR02BLK	G	2				
654-AT06-3S-SR02BLK	AT06-3S-SR02BLK	H	3				
654-AT06-4S-SR02BLK	AT06-4S-SR02BLK	I	4				
654-AT06-6S-SR02BLK	AT06-6S-SR02BLK	J	6				
654-AT06-08SA-SR2BK	AT06-08SA-SR2BK	K	8				
654-AT06-12SA-SR2BK	AT06-12SA-SR2BK	L	12				

Sealing Plug

MOUSER STOCK NO.	Amphenol Part No.	Fig.	No. of Positions	Price Each			
				1	100	500	1000
654-A114017-SR	A114017-SR	M	For use with SR01				



ATM SERIES™

ATM Series™ connectors are a miniature, high-performance, cost-effective solution specifically designed for smaller AWG applications, while still maintaining the strengths of the AT Series™ product line. ATM Series™ connectors are compatible with other existing standard products industry-wide.

MOUSER STOCK NO.	Amphenol Part No.	Fig.	Description	Price Each		
				1	100	500
Receptacles						
654-ATM04-2P	ATM04-2P	A	2 Position			
654-ATM04-3P	ATM04-3P	B	3 Position			
654-ATM04-4P	ATM04-4P	C	4 Position			
654-ATM04-6P	ATM04-6P	D	6 Position			
654-ATM04-08PA	ATM04-08PA	E	8 Position, Key A			
654-ATM04-12PA	ATM04-12PA	F	12 Position, Key A			
Plugs						
654-ATM06-2S	ATM06-2S	G	2 Position			
654-ATM06-3S	ATM06-3S	H	3 Position			
654-ATM06-4S	ATM06-4S	I	4 Position			
654-ATM06-6S	ATM06-6S	J	6 Position			
654-ATM06-08SA	ATM06-08SA	K	8 Position, Key A			
654-ATM06-12SA	ATM06-12SA	L	12 Position, Key A			
Wedges						
654-AWM-2P	AWM-2P	M	2 Position, Receptacle Wedge			
654-AWM-3P	AWM-3P	N	3 Position, Receptacle Wedge			
654-AWM-4P	AWM-4P	O	4 Position, Receptacle Wedge			
654-AWM-6P	AWM-6P	P	6 Position, Receptacle Wedge			

MOUSER STOCK NO.	Amphenol Part No.	Fig.	Description	Price Each		
				1	100	500
Wedges (Cont.)						
654-AWM-8P	AWM-8P	Q	8 Position, Receptacle Wedge			
654-AWM-12P	AWM-12P	R	12 Position, Receptacle Wedge			
654-AWM-2S	AWM-2S	S	2 Position, Plug Wedge			
654-AWM-3S	AWM-3S	T	3 Position, Plug Wedge			
654-AWM-4S	AWM-4S	U	4 Position, Plug Wedge			
654-AWM-6S	AWM-6S	V	6 Position, Plug Wedge			
654-AWM-8S	AWM-8S	W	8 Position, Plug Wedge			
654-AWM-12S	AWM-12S	X	12 Position, Plug Wedge			
Contacts and Seal						
654-AT60-20-0122	AT60-20-0122	Y	Male, Stamped & Formed 16-22AWG, Nickel			
654-AT60-202-20141	AT60-202-20141	Y	Male, Machined, #20, 20-22AWG, Nickel			
654-AT62-20-0122	AT62-20-0122	Z	Female, Stamped & Formed 16-22AWG, Nickel			
654-AT62-201-20141	AT62-201-20141	Z	Female, Machined, #20, 20-22AWG, Nickel			
654-AT13-204-2005	AT13-204-2005	AA	Blank Seal, Size 20, 20 AWG, White			

FCI Automotive Connectors



This product is RoHS compliant.



APEX 150 (1.5MM) CONNECTORS

Features:

- Circumferential interface seal
- Wire accommodation range: 22AWG (.35mm²)
- Mat seal design
- Terminal Position Assurance (TPA) device to detect partially installed terminals
- USCAR 'on engine' performance standard suitable for harsh environments

- Sealing Protection: IP68
- Temperature range: -40°C to +125°C
- Current Rating: 25A
- 3.5mm pitch

*2.8mm Cavity Plugs to be used with 14 and 24 contacts Hybrid and Ergomate Connectors

For quantities greater than listed, call for quote.

MOUSER STOCK NO.	FCI Part No.	Fig.	No. of Contacts	Description	Color	Price Each			
						1	25	50	100
Male Housing									
649-54241000	54241000	A	10	Sealed, Index A	Black				
649-54241001	54241001	A	10	Sealed, Index B	Gray				
649-54241600	54241600	A	16	Sealed, Index A	Black				
649-54241601	54241601	A	16	Sealed, Index B	Gray				
649-54251400	54251400	B	14	Hybrid, Sealed, Index A	Black				
649-54251401	54251401	B	14	Hybrid, Sealed, Index B	Gray				
649-F254000	F254000	B	24	Hybrid, ErgoMate, Sealed, Index A	Black				
Female Housing									
649-54241030	54241030	C	10	Sealed, Index A with CPA	Black				
649-54241031	54241031	C	10	Sealed, Index B with CPA	Gray				
649-54241630	54241630	C	16	Sealed, Index A with CPA	Black				
649-54241631	54241631	C	16	Sealed, Index B with CPA	Gray				
649-55251400	55251400	D	14	Hybrid, Sealed, Index A with CPA	Black				
649-55251401	55251401	D	14	Hybrid, Sealed, Index B with CPA	Gray				
649-F934000	F934000	D	24	Hybrid, ErgoMate, Sealed, Index A with CPA	Black				
Seal Plugs									
649-54241629	54241629	---	---	1.5mm Cavity Seal Plug	---				
* 649-54240002	54240002	---	---	2.8mm Seal Plug, Female Side	---				
* 649-54240003	54240003	---	---	2.8mm Seal Plug, Male Side	---				

Terminals

For quantities greater than listed, call for quote.

MOUSER STOCK NO.	FCI Part No.	Fig.	Gender	Terminal Size	Plating	Price Each			
						1	25	50	100
649-54001625	54001625	E	Female	1.5mm	Tin				
649-54001627-L	54001627-L	E	Female	1.5mm	Gold				
649-54001626	54001626	F	Male	1.5mm	Tin				
649-54001628	54001628	F	Male	1.5mm	Gold				

Tool

For quantities greater than listed, call for quote.

MOUSER STOCK NO.	FCI Part No.	Fig.	Description	Price Each	
				1	5
649-54241678	54241678	---	Terminal Extraction Tool		

APEX 2.8MM CONNECTORS

Features:

- Sealed: 12-20 wire gauge
- Fully assembled, robust design
- Circumferential interface seal
- Heavy Duty connectors for demanding environments
- Most compact 2.8mm system in the industry
- Terminal Position Assurance (TPA) device to detect partially installed terminals
- Mat seal design
- Connector position assurance available
- Sealing Protection: IP68

- Temperature range: 2 and 3 way: -40°C to +150°C
- 4,6,10 and 14 way: -40°C to +125°C

For quantities greater than listed, call for quote.

MOUSER STOCK NO.	FCI Part No.	Fig.	No. of Contacts	Description	Color	Price Each			
						1	25	50	100
Male Housings									
649-54200210	54200210	G	2	Sealed, Index A	Black				
649-54200211	54200211	G	2	Sealed, Index B	Lt Gray				
649-54200312	54200312	G	3	Sealed, Index A	Black				
649-54200313	54200313	G	3	Sealed, Index B	Lt Gray				
649-54200413	54200413	G	4	Sealed, Index A	Black				
649-54200414	54200414	G	4	Sealed, Index B	Lt Gray				
649-54200612	54200612	G	6	Sealed, Index A	Black				
649-54200613	54200613	G	6	Sealed, Index B	Lt Gray				
649-54201016	54201016	G	10	Sealed, Index A	Black				
649-54201017	54201017	G	10	Sealed, Index B	Lt Gray				
649-54201415	54201415	G	14	Sealed, Index A	Black				
649-54201416	54201416	G	14	Sealed, Index B	Lt Gray				
Female Housings									
649-54200206	54200206	H	2	Sealed, with CPA, Index A	Black				
649-54200207	54200207	H	2	Sealed, with CPA, Index B	Lt Gray				
649-54200308	54200308	H	3	Sealed, with CPA, Index A	Black				
649-54200309	54200309	H	3	Sealed, with CPA, Index B	Lt Gray				
649-54200409	54200409	H	4	Sealed, with CPA, Index A	Black				
649-54200410	54200410	H	4	Sealed, with CPA, Index B	Lt Gray				
649-54200608	54200608	H	6	Sealed, with CPA, Index A	Black				
649-54200609	54200609	H	6	Sealed, with CPA, Index B	Lt Gray				
649-54201009	54201009	H	10	Sealed, with CPA, Index A	Black				
649-54201010	54201010	H	10	Sealed, with CPA, Index B	Lt Gray				
649-54201411	54201411	H	14	Sealed, with CPA, Index A	Black				
649-54201412	54201412	H	14	Sealed, with CPA, Index B	Lt Gray				
Accessories									
649-54200005	54200005	---	---	2.8mm Cavity Plug	---				

Terminals

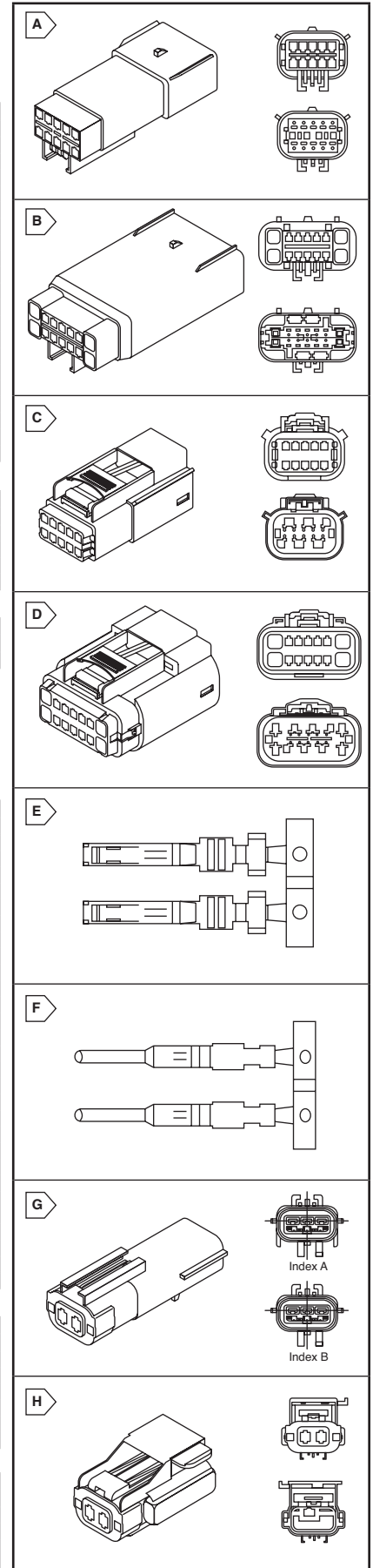
For quantities greater than listed, call for quote.

MOUSER STOCK NO.	FCI Part No.	Fig.	Gender	Terminal Size	Plating	Price Each			
						1	25	50	100
649-54001800	54001800	E	Female	2.8mm	Tin				
649-54001400	54001400	E	Female	2.8mm	Tin				
649-54001803	54001803	E	Female	2.8mm	Gold				
649-54001801	54001801	F	Male	2.8mm	Tin				
649-54001401	54001401	F	Male	2.8mm	Tin				
649-F875200	F875200	F	Male	2.8mm	Gold				

Tools

For quantities greater than listed, call for quote.

MOUSER STOCK NO.	FCI Part No.	Fig.	Description	Price Each	
				1	5
649-5400EXT	5400EXT	---	Terminal Extraction Tool		
649-APEX2.8MM18/20	APEX2.8mm18/20	---	Hand Crimp Tool, 18-20 AWG		
649-APEX2.8MM14/16	APEX2.8mm14/16	---	Hand Crimp Tool, 14-16 AWG		
649-APEX2.8MM10/12	APEX2.8mm10/12	---	Hand Crimp Tool, 10-12 AWG		



Automotive FCI



This product is RoHS compliant.

MX19 SERIES 2.5MM WATERPROOF CABLE-TO-CABLE CONNECTORS

- Mechanical lock system enables complete mating with a click
- Rear cover protects the grommet from damage on terminal insertion
- Terminals have a two-plate spring mechanism with long beam length, which results in a low force insertion and stress dispersion
- Contact Spacing 2.5mm (.098")
- Current Rating: 5A
- Insulation Resistance: 100 Megohm min.
- Waterproofing: Compliant with JIS D0203 S1
- Applicable wire: Type CAVS, AVSS, 22-20AWG

For quantities greater than listed, call for quote.

MOUSER STOCK NO.	JAE Part No.	Fig.	No. of Pos.	Description	Price Each			
					1	25	100	250
656-MX19002P51	MX19002P51	A	2	Pin Housing Black				
656-MX19004P51	MX19004P51	A	4	Pin Housing Black				
656-MX19002S51	MX19002S51	B	2	Socket Housing Black				
656-MX19004S51	MX19004S51	B	4	Socket Housing Black				
Contacts								
656-MX19P10K451	MX19P10K451-C100	-	-	Crimp Pin Contact				
656-MX19S10K451	MX19S10K451-C100	-	-	Crimp Socket Contact				

MX23 SERIES 2.5MM WATERPROOF WIRE TO BOARD CONNECTORS

- Full water proof grommet is used for socket contact crimping area in order to reduce size
- Low profile type with board mounting height of 18.3mm and socket connector height of 22.2mm max.
- Contact Spacing 2.5mm (.098")
- Applicable wire: Type AVSS, AVS, 22-16AWG
- Dielectric withstanding voltage: 1000 VACr.m.s. (1 minute)
- Current Rating: 3A

For quantities greater than listed, call for quote.

MOUSER STOCK NO.	JAE Part No.	Fig.	No. of Pos.	Description	Price Each			
					1	25	100	250
656-MX23A18NF1	MX23A18NF1	C	18	Pin Header				
656-MX23A26NF1	MX23A26NF1	C	26	Pin Header				
656-MX23A34NF1	MX23A34NF1	C	34	Pin Header				
656-MX23A18SF1	MX23A18SF1	D	18	Socket Housing				
656-MX23A26SF1	MX23A26SF1	D	26	Socket Housing				
656-MX23A34SF1	MX23A34SF1	D	34	Socket Housing				
656-MX23A18XF1	MX23A18XF1	E	18	Front Cap				
656-MX23A26XF1	MX23A26XF1	E	26	Front Cap				
656-MX23A34XF1	MX23A34XF1	E	34	Front Cap				
Contacts								
656-M23S05K351	M23S05K351	-	-	Crimp Socket Contact				
656-M120-55780	M120-55780	-	-	Dummy Plug				

MX47 SERIES 2.5MM WATERPROOF HIGH DENSITY CONNECTORS

- 2.5mm horizontal pitch, 3.6mm vertical pitch, 3-row board-to-wire connector
- Low profile type with board mounting height held to 19.3mm
- Rated Current: 3A
- Waterproof: 98 kPa min. (initial)
- Applicable Cable: AVSS 0.3 to 1.25sq (AWG #16 to #22 equivalent)



For quantities greater than listed, call for quote.

MOUSER STOCK NO.	JAE Part No.	Fig.	No. of Pos.	Description	Price Each			
					1	10	25	50
656-MX47039NF1	MX47039NF1	C	39	Pin Header				
656-MX47039NF2	MX47039NF2	C	39	Pin Header with Key Option				
656-MX47039SF1	MX47039SF1	D	39	Socket Housing				
656-MX47039SF2	MX47039SF2	D	39	Socket Housing with Key Option				
656-MX47039XF1	MX47039XF1	E	39	Front Cap				
656-M47S65H2FA	M47S65H2FA	-	-	Crimp Socket Contact				

TOOL

For quantities greater than listed, call for quote.

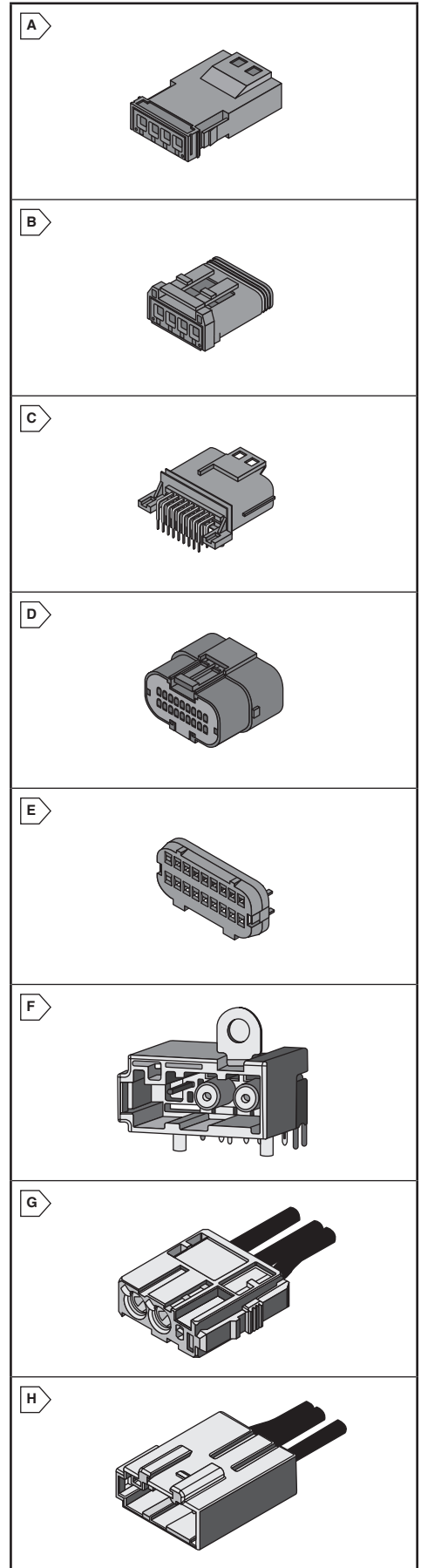
MOUSER STOCK NO.	JAE Part No.	Description	Price Each
656-CT150-4C-ILZ	CT150-4C-ILZ	Hand Crimp Tool	

CE2 SERIES COAXIAL CONNECTORS

- Small and robust coaxial connectors for antenna connection in transportation applications
- Applicable Frequency: DC to 1GHz
- Impedance: 75Ohms
- Insertion loss: 0.3dB max.
- Operating temperature: -30°C to +70°C

For quantities greater than listed, call for quote.

MOUSER STOCK NO.	JAE Part No.	Fig.	Description	Price Each			
				1	10	25	50
Board Connectors							
656-CE2S101C02	CE2S101C02	F	Coaxial 1 Pos., Bracket Upward				
656-CE2S111C01	CE2S111C01	F	Coaxial 1 Pos. Power 1 Pos., Bracket Upward				
656-CE2S211C02	CE2S211C02	F	Coaxial 2 Pos. Power 1 Pos., Bracket Upward				
Cable Connectors							
656-CE2A111Z00	CE2A111Z00	G	Coaxial 1 Pos., Power 1 Pos.				
Relay Connectors							
656-CE2G111Z00	CE2G111Z00	H	Coaxial 1 Pos., Power 1 Pos.				
Terminals							
656-CE2A001C01	CE2A001C01	-	Coaxial Terminal for Cable				
656-CE2G001C01	CE2G001C01	-	Coaxial Terminal for Relay				



MOLEX Automotive Connectors

molex
one company a world of innovation

RoHS Compliant This product is RoHS compliant.

MINI50™ UNSEALED CONNECTION SYSTEMS

Achieve 50% space savings over traditional USCAR 0.64mm connectors with Molex's unsealed miniature Mini50™ single-row connection system, with smaller terminals to fit more low-current electrical circuits in interior, unsealed, transportation-vehicle environments



Standard Receptacles

For quantities greater than listed, call for quote.

MOUSER STOCK NO.	Molex Part No.	Fig.	Circuit Size	Color	Price Each			
					1	10	100	500
538-34791-0040	34791-0040	A	4	Black				
538-34791-0041	34791-0041	A	4	Gray				
538-34791-0080	34791-0080	A	8	Black				
538-34791-0081	34791-0081	A	8	Gray				

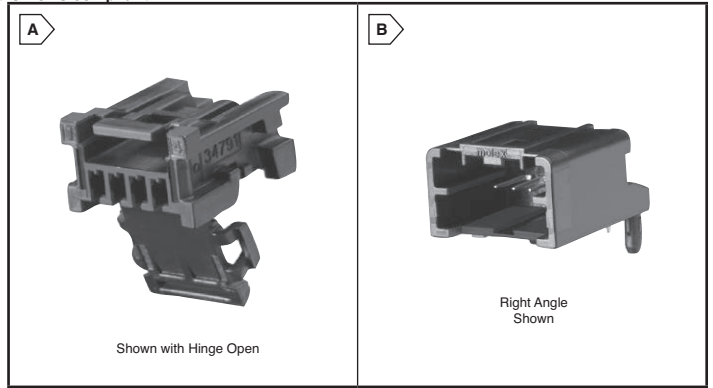
Headers

For quantities greater than listed, call for quote.

MOUSER STOCK NO.	Molex Part No.	Fig.	Circuit Size	Color	Price Each			
					1	10	100	500
Standard Right-Angle Headers								
538-34793-0040	34793-0040	B	4	Black				
538-34793-0041	34793-0041	B	4	Gray				
538-34793-0080	34793-0080	B	8	Black				
538-34793-0081	34793-0081	B	8	Gray				

Standard Vertical Headers

538-34792-0040	34792-0040	B	4	Black				
538-34792-0041	34792-0041	B	4	Gray				
538-34792-0080	34792-0080	B	8	Black				
538-34792-0081	34792-0081	B	8	Gray				



Contacts

For quantities greater than listed, call for quote.

MOUSER STOCK NO.	Molex Part No.	Description	Wire Gauge (mm2)	Price Each		
				1	10	500
538-560023-0421	560023-0421	Tin	0.22 - 0.35			

STAC64™ CONNECTION SYSTEM 2.54MM (.100") PITCH

Stackable connection system provides single and multi-pocket PCB solutions, offering a diverse range of circuit sizes and greatly reducing time-to-market by completely eliminating custom tooling: new female connectors feature the only finger-actuated design in the industry.

Headers

For quantities greater than listed, call for quote.

MOUSER STOCK NO.	Molex Part No.	Fig.	No. of Circuits	Color	Polarization	Price Each			
						1	10	100	500
Single-Bay Headers									
538-34690-0080	34690-0080	A	8	Black	A				
538-34690-0120	34690-0120	A	12	Black	A				
538-34690-0160	34690-0160	A	16	Black	A				
538-34690-0200	34690-0200	A	20	Black	A				
538-34690-0201	34690-0201	A	20	Gray	B				
538-34690-0202	34690-0202	A	20	Brown	C				
538-34690-0203	34690-0203	A	20	Green	D				

Single-Bay Right Angle Headers

538-34691-0080	34691-0080	A	8	Black	A				
538-34691-0120	34691-0120	A	12	Black	A				
538-34691-0160	34691-0160	A	16	Black	A				
538-34691-0200	34691-0200	A	20	Black	A				
538-34691-0201	34691-0200	A	20	Gray	B				
538-34691-0202	34691-0202	A	20	Brown	C				
538-34691-0203	34691-0203	A	20	Green	D				

Single-Bay Hybrid Vertical Header

538-34695-0100	34695-0100	A	10	Black	A				
----------------	------------	---	----	-------	---	--	--	--	--

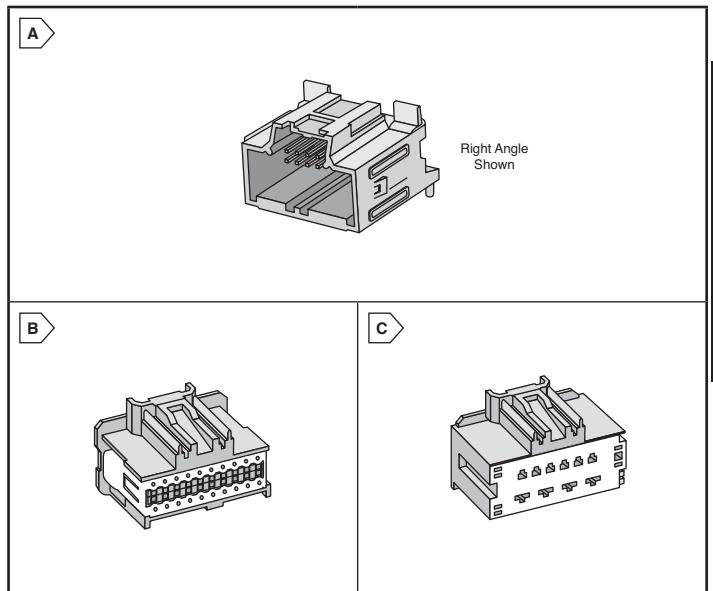
Receptacles

For quantities greater than listed, call for quote.

MOUSER STOCK NO.	Molex Part No.	Fig.	No. of Circuits	Color	Polarization	Price Each			
						1	10	100	500
538-34729-0080	34729-0080	B	8	Black	A				
538-34729-0120	34729-0120	B	12	Black	A				
538-34729-0160	34729-0160	B	16	Black	A				
538-34729-0200	34729-0200	B	20	Black	A				
538-34729-0201	34729-0201	B	20	Gray	B				
538-34729-0202	34729-0202	B	20	Brown	C				
538-34729-0203	34729-0203	B	20	Green	D				

Hybrid Receptacle

538-31372-1000	31372-1000	C	10	Black	A				
----------------	------------	---	----	-------	---	--	--	--	--



Contacts

For quantities greater than listed, call for quote.

MOUSER STOCK NO.	Molex Part No.	Wire Gauge	Price Each		
			1	10	500
Terminals - Female					
538-34803-0211	34803-0211	22 AWG, Tin Plated			
538-34803-0212	34803-0212	20 AWG, Tin Plated			

CMC HYBRID CONNECTORS

The Molex family of CMC Hybrid Connectors provides a sealed, high-density, modular and cost-effective connection system for heavy-duty, powertrain and body-electronics applications in the transportation industry.

Receptacles

For quantities greater than listed, call for quote.

MOUSER STOCK NO.	Molex Part No.	Fig.	No. of Circuits	Color	Wire Output	Price Each			
						1	10	100	500
538-64319-3211	64319-3211	A	32	Black	Right				
538-64319-1218	64319-1218	A	32	Gray	Left				
538-64320-3311	64320-3311	A	48	Black	Right				
538-64320-3319	64320-3319	A	48	Brown	Right				
538-64320-1319	64320-1319	A	48	Brown	Left				

Wire-to-Wire

538-501820-3201	501820-3201	B	32	Gray	-				
-----------------	-------------	---	----	------	---	--	--	--	--

Wire Caps

For quantities greater than listed, call for quote.

MOUSER STOCK NO.	Molex Part No.	Fig.	No. of Circuits	Color	Price Each			
					1	10	100	500
538-64319-1201	64319-1201	C	32	Black				
538-64320-1301	64320-1301	C	48	Black				

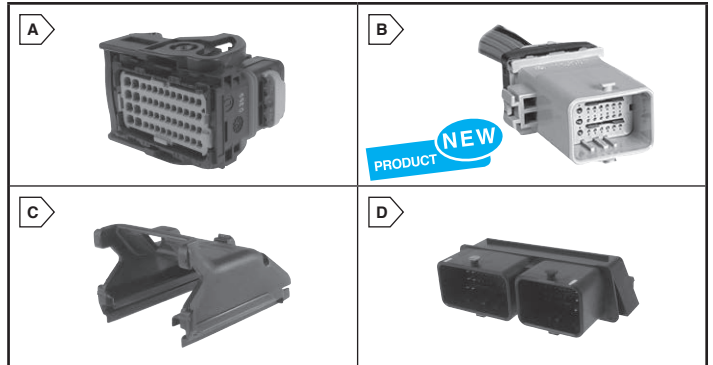
Wire-to-Wire

538-501826-3201	501826-3201	C	32	Black				
-----------------	-------------	---	----	-------	--	--	--	--

Headers

For quantities greater than listed, call for quote.

MOUSER STOCK NO.	Molex Part No.	Fig.	No. of Circuits	Pin Count	No. of Pockets	Price Each			
						1	10	100	500
538-64334-0100	64334-0100	D	32	24	8	1			
538-500762-0481	500762-0481	D	48	40	8	1			
538-502225-0801	502225-0801	D	80	64	16	2			
538-64333-0100	64333-0100	D	112	88	24	3			



Contacts

For quantities greater than listed, call for quote.

MOUSER STOCK NO.	Molex Part No.	Plating	Gender	Wire Size (mm)	Wire Insulation (mm)	Price Each	
						1	100
538-64322-1029	64322-1029	Tin	Female	0.75	1.60-1.90		
Wire-to-Wire							
538-501827-0101	501827-0101	Tin	Male	0.80-1.00	1.40-1.7		
538-501828-0101	501828-0101	Tin	Male	1.20	1.80-1.90		

TE CONNECTIVITY/DEUTSCH Automotive Connectors



RoHS Compliant This page of product is RoHS compliant.



DEUTSCH D369 SERIES

Features:

- 3, 6 and 9 way configurations
- Based on proven ARINC 809 / EN14165 interface
- Robust design, compact and lightweight
- Constructed using aerospace-grade composite materials
- Fully sealed cable and mating interface
- Prevents damage to contacts in blind-mating conditions
- Simple, quick mounting; mounting of inline with cable-tie, cable tie-in prevents inadvertent un-mating
- Positive and audible locking
- Button latching mechanism
- Latch security feature
- Color-coded keyed shells
- Scoop-proof interface
- Military standard AS39029 contacts
- Contacts sold separately

Applications:

- Aerospace (including in-flight entertainment & power)
- Harsh environments (high vibration, moisture resistance, high reliability)
- Automotive

Characteristics:

- Contact Material: Copper Alloy
- Contact Plating: Gold
- Current Rating: 5A
- Housing Material: Thermoplastic
- Mounting Style: In-Line
- Wire Size: 22AWG
- Withholding Voltage: 1000
- Operating Temp. Range: -55°C to + 175°C

Receptacles

For quantities greater than listed, call for quote.

MOUSER STOCK NO.	TE Part No.	Fig.	No. of Positions	Color	Keying	Insert/Contact Gender	Price Each		
							1	25	50
571-D369-R33-AS0	D369-R33-AS0	A	3	Red	A	Female			
571-D369-R33-BS0	D369-R33-BS0	A	3	Blue	B	Female			
571-D369-R33-CS0	D369-R33-CS0	A	3	Green	C	Female			
571-D369-R33-DS0	D369-R33-DS0	A	3	Yellow	D	Female			
571-D369-R33-NS0	D369-R33-NS0	A	3	Black	N	Female			
571-D369-R33-NP0	D369-R33-NP0	A	3	Black	N	Male			
571-D369-R66-AS0	D369-R66-AS0	B	6	Red	A	Female			
571-D369-R66-BS0	D369-R66-BS0	B	6	Blue	B	Female			
571-D369-R66-CS0	D369-R66-CS0	B	6	Green	C	Female			
571-D369-R66-DS0	D369-R66-DS0	B	6	Yellow	D	Female			
571-D369-R66-NS0	D369-R66-NS0	B	6	Black	N	Female			
571-D369-R66-NP0	D369-R66-NP0	B	6	Black	N	Male			
571-D369-R99-AS0	D369-R99-AS0	C	9	Red	A	Female			
571-D369-R99-BS0	D369-R99-BS0	C	9	Blue	B	Female			
571-D369-R99-CS0	D369-R99-CS0	C	9	Green	C	Female			
571-D369-R99-DS0	D369-R99-DS0	C	9	Yellow	D	Female			
571-D369-R99-NS0	D369-R99-NS0	C	9	Black	N	Female			
571-D369-R99-NP0	D369-R99-NP0	C	9	Black	N	Male			

Plugs

For quantities greater than listed, call for quote.

MOUSER STOCK NO.	TE Part No.	Fig.	No. of Positions	Color	Keying	Insert/Contact Gender	Price Each		
							1	25	50
571-D369-P33-AP0	D369-P33-AP0	A	3	Red	A	Male			
571-D369-P33-BP0	D369-P33-BP0	A	3	Blue	B	Male			
571-D369-P33-CP0	D369-P33-CP0	A	3	Green	C	Male			
571-D369-P33-DP0	D369-P33-DP0	A	3	Yellow	D	Male			
571-D369-P33-NS0	D369-P33-NS0	A	3	Black	N	Female			
571-D369-P33-NP0	D369-P33-NP0	A	3	Black	N	Male			
571-D369-P66-AP0	D369-P66-AP0	B	6	Red	A	Male			
571-D369-P66-BP0	D369-P66-BP0	B	6	Blue	B	Male			
571-D369-P66-CP0	D369-P66-CP0	B	6	Green	C	Male			
571-D369-P66-DP0	D369-P66-DP0	B	6	Yellow	D	Male			
571-D369-P66-NS0	D369-P66-NS0	B	6	Black	N	Female			
571-D369-P66-NP0	D369-P66-NP0	B	6	Black	N	Male			
571-D369-P99-AP0	D369-P99-AP0	C	9	Red	A	Male			
571-D369-P99-BP0	D369-P99-BP0	C	9	Blue	B	Male			
571-D369-P99-CP0	D369-P99-CP0	C	9	Green	C	Male			
571-D369-P99-DP0	D369-P99-DP0	C	9	Yellow	D	Male			
571-D369-P99-NS0	D369-P99-NS0	C	9	Black	N	Female			
571-D369-P99-NP0	D369-P99-NP0	C	9	Black	N	Male			

Contacts

For quantities greater than listed, call for quote.

MOUSER STOCK NO.	TE Part No.	Fig.	Material	Plating	Size	Price Each			
						1	10	100	
Male									
571-M39029/58-360	M39029/58-360	-	Copper Alloy	Gold	22				
Female									
571-M39029/57-354	M39029/57-354	-	Copper Alloy	Gold	22				

Accessories

For quantities greater than listed, call for quote.

MOUSER STOCK NO.	TE Part No.	Fig.	No. of Positions	Type	Price Each		
					1	25	50
571-D369-STB-3	D369-STB-3	A	3	Backshells			
571-D369-STB-6	D369-STB-6	B	6	Backshells			
571-D369-STB-9	D369-STB-9	C	9	Backshells			

TE Ampseal 16 Connectors



This product is RoHS compliant.



AMPSEAL 16 CONNECTOR SYSTEM

Features:

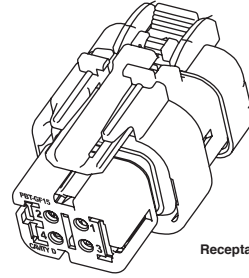
- Keyed / polarized, prevents mismatching
- Lanceless contacts, no damaged tangs or tangled contacts
- Integral CPA protects against accidental unlocking
- Steeved assembly for contact beam protection provides 50 durability cycles
- Attachment feature on pin housing provides connector clip mounting
- Integral PLR provides primary latch reinforcement with no additional assembly
- Sealing of interface and wires provides for environmental integrity
- Resistant to a wide range of chemicals

Wire Size Range:

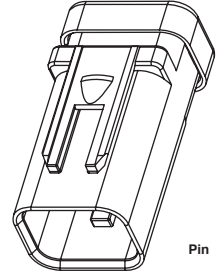
- 2.18-3.67 mm
- 1.30-2.54 mm (with reduced diameter wire seal)

Housing Material:

- Glass Reinforced PBT
- UL 94-HB rated



Receptacle



Pin

Sealed Receptacle Housings with Standard Diameter Wire Seal

MOUSER STOCK NO.	TE Part No.	No. of Positions	Color	Keying	Price Each			
					1	25	50	100
571-776427-1	776427-1	2	Red	A				
571-776427-2	776427-2	2	Gray	B				
571-776427-3	776427-3	2	Yellow	C				
571-776427-4	776427-4	2	Green	D				
571-776429-1	776429-1	3	Red	A				
571-776429-2	776429-2	3	Gray	B				
571-776429-3	776429-3	3	Yellow	C				
571-776429-4	776429-4	3	Green	D				
571-776487-1	776487-1	4	Red	A				
571-776487-2	776487-2	4	Gray	B				
571-776487-3	776487-3	4	Yellow	C				
571-776487-4	776487-4	4	Green	D				
571-776433-1	776433-1	6	Red	A				
571-776433-2	776433-2	6	Gray	B				
571-776433-3	776433-3	6	Yellow	C				
571-776494-1	776494-1	8	Red	A				
571-776494-2	776494-2	8	Gray	B				
571-776494-3	776494-3	8	Yellow	C				
571-776494-4	776494-4	8	Green	D				
571-776437-1	776437-1	12	Red	A				
571-776437-2	776437-2	12	Gray	B				
571-776437-3	776437-3	12	Yellow	C				
571-776437-4	776437-4	12	Green	D				

Sealed Pin Housings Standard Diameter Wire Seal

MOUSER STOCK NO.	TE Part No.	No. of Positions	Color	Keying	Price Each			
					1	25	50	100
571-776428-1	776428-1	2	Red	A				
571-776428-2	776428-2	2	Gray	B				
571-776428-3	776428-3	2	Yellow	C				
571-776428-4	776428-4	2	Green	D				
571-776430-1	776430-1	3	Red	A				
571-776430-2	776430-2	3	Gray	B				
571-776430-3	776430-3	3	Yellow	C				
571-776430-4	776430-4	3	Green	D				
571-776488-1	776488-1	4	Red	A				
571-776488-2	776488-2	4	Gray	B				
571-776488-3	776488-3	4	Yellow	C				
571-776488-4	776488-4	4	Green	D				
571-776434-1	776434-1	6	Red	A				
571-776434-2	776434-2	6	Gray	B				
571-776434-3	776434-3	6	Yellow	C				
571-776495-1	776495-1	8	Red	A				
571-776495-2	776495-2	8	Gray	B				
571-776495-3	776495-3	8	Yellow	C				
571-776495-4	776495-4	8	Green	D				
571-776438-1	776438-1	12	Red	A				
571-776438-2	776438-2	12	Gray	B				
571-776438-3	776438-3	12	Yellow	C				
571-776438-4	776438-4	12	Green	D				

Sealed Receptacle Housings with Reduced Diameter Wire Seal

MOUSER STOCK NO.	TE Part No.	No. of Positions	Color	Keying	Price Each			
					1	25	50	100
571-776522-1	776522-1	2	Red	A				
571-776522-2	776522-2	2	Gray	B				
571-776522-3	776522-3	2	Yellow	C				
571-776522-4	776522-4	2	Green	D				
571-776523-1	776523-1	3	Red	A				
571-776523-2	776523-2	3	Gray	B				
571-776523-3	776523-3	3	Yellow	C				
571-776523-4	776523-4	3	Green	D				
571-776524-1	776524-1	4	Red	A				
571-776524-2	776524-2	4	Gray	B				
571-776524-3	776524-3	4	Yellow	C				
571-776524-4	776524-4	4	Green	D				
571-776531-1	776531-1	6	Red	A				
571-776531-2	776531-2	6	Gray	B				
571-776531-3	776531-3	6	Yellow	C				
571-776532-1	776532-1	8	Red	A				
571-776532-2	776532-2	8	Gray	B				
571-776532-3	776532-3	8	Yellow	C				
571-776532-4	776532-4	8	Green	D				
571-776533-1	776533-1	12	Red	A				
571-776533-2	776533-2	12	Gray	B				
571-776533-3	776533-3	12	Yellow	C				
571-776533-4	776533-4	12	Green	D				

Sealed Pin Housings with Reduced Diameter Wire Seal

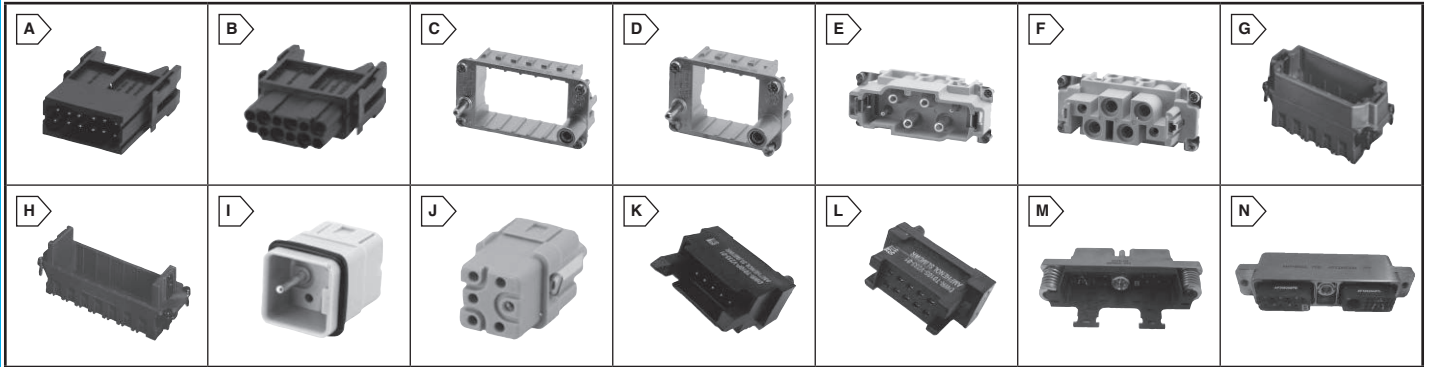
MOUSER STOCK NO.	TE Part No.	No. of Positions	Color	Keying	Price Each			
					1	25	50	100
571-776534-1	776534-1	2	Red	A				
571-776534-2	776534-2	2	Gray	B				
571-776534-3	776534-3	2	Yellow	C				
571-776534-4	776534-4	2	Green	D				
571-776535-1	776535-1	3	Red	A				
571-776535-2	776535-2	3	Gray	B				
571-776535-3	776535-3	3	Yellow	C				
571-776535-4	776535-4	3	Green	D				
571-776536-1	776536-1	4	Red	A				
571-776536-2	776536-2	4	Gray	B				
571-776536-3	776536-3	4	Yellow	C				
571-776536-4	776536-4	4	Green	D				
571-776537-1	776537-1	6	Red	A				
571-776537-2	776537-2	6	Gray	B				
571-776537-3	776537-3	6	Yellow	C				
571-776538-1	776538-1	8	Red	A				
571-776538-2	776538-2	8	Gray	B				
571-776538-3	776538-3	8	Yellow	C				
571-776538-4	776538-4	8	Green	D				
571-776539-1	776539-1	12	Red	A				
571-776539-2	776539-2	12	Gray	B				
571-776539-3	776539-3	12	Yellow	C				
571-776539-4	776539-4	12	Green	D				

Receptacle Contacts

MOUSER STOCK NO.	TE Part No.	Wire Size		Contact Material	Price Each			
		(mm2)	(AWG)		1	100	500	1000
571-1924580-2	1924580-2	0.5-0.8	20-18	Nickel				
571-1924580-1	1924580-1	0.5-0.8	20-18	Gold				
571-776299-2	776299-2	0.8-2.0	18-14	Nickel				
571-776299-1	776299-1	0.8-2.0	18-14	Gold				

Pin Contacts

MOUSER STOCK NO.	TE Part No.	Wire Size		Contact Material	Price Each			
		(mm2)	(AWG)		1	100	500	1000
571-1924579-3	1924579-3	0.5-0.8	20-18	Nickel				
571-1924579-1	1924579-1	0.5-0.8	20-18	Gold				
571-776300-2	776300-2	0.8-2.0	18-14	Nickel				
571-776300-1	776300-1	0.8-2.0	18-14	Gold				



* Images are for reference only.

HEAVYMATE® 146-D SERIES POWER CONNECTORS

- Features:**
- Hybrid interconnections
 - High current
 - High pole sizes
 - Voltage up to 1000V
 - IP65 to IP68
 - Corrosion resistance
 - Vibration proof
 - VDE, UL, CSA approvals

For quantities greater than listed, call for quote.

MOUSER STOCK NO.	Amphenol Part No.	Fig.	Description	Price Each
Pin Contacts				
523-C14610A00350015	C146 10A003 500 15	A	3 Contact, Crimp, 16-10 AWG	
523-C14610A00650015	C146 10A006 500 15	A	6 Contact, Crimp, 20-12 AWG	
523-C14610A00850015	C146 10A008 500 15	A	8 Contact, Crimp, 20-12 AWG	
523-C14610A01250015	C146 10A012 500 15	A	12 Contact, Crimp, 26-14 AWG	
523-C14610A01750015	C146 10A017 500 15	A	17 Contact, Crimp, 26-14 AWG	
523-C14610A02050015	C146 10A020 500 15	A	20 Contact, Crimp, 20-12 AWG	
Socket Contacts				
523-C14610B00350015	C146 10B003 500 15	B	3 Contact, Crimp, 16-10 AWG	
523-C14610B00650015	C146 10B006 500 15	B	6 Contact, Crimp, 20-12 AWG	
523-C14610B00850015	C146 10B008 500 15	B	8 Contact, Crimp, 20-12 AWG	
523-C14610B01250015	C146 10B012 500 15	B	12 Contact, Crimp, 26-14 AWG	
523-C14610B01750015	C146 10B017 500 15	B	17 Contact, Crimp, 26-14 AWG	
523-C14610B02050015	C146 10B020 500 15	B	20 Contact, Crimp, 20-12 AWG	

Frames

For quantities greater than listed, call for quote.

MOUSER STOCK NO.	Amphenol Part No.	Fig.	Description	Price Each
Pin Contacts				
523-C14610P00600015	C146 10P006 000 15	C	2 Contact, Size E6	
523-C14610P01000015	C146 10P010 000 15	C	3 Contact, Size E10	
523-C14610P01600015	C146 10P016 000 15	C	4 Contact, Size E16	
523-C14610P02400015	C146 10P024 000 15	C	6 Contact, Size E24	
Socket Contacts				
523-C14610S00600015	C146 10S006 000 15	D	2 Contact, Size E6	
523-C14610S01000015	C146 10S010 000 15	D	3 Contact, Size E10	
523-C14610S01600015	C146 10S016 000 15	D	4 Contact, Size E16	
523-C14610S02400015	C146 10S024 000 15	D	6 Contact, Size E24	

HEAVYMATE® K

Inserts

For quantities greater than listed, call for quote.

MOUSER STOCK NO.	Amphenol Part No.	Fig.	Description	Price Each
Pin				
523-C14610A00610013	C146 10A006 100 13	E	4+2+PE	
Socket				
523-C14610B00610013	C146 10B006 100 13	F	4+2+PE	

HEAVYMATE® M

Frames

For quantities greater than listed, call for quote.

MOUSER STOCK NO.	Amphenol Part No.	Fig.	Description	Price Each
Pin Contact				
523-C146P16001G8	C146 P16 001 G8	G	Size 16 (2xPE)	
523-C146P24001G8	C146 P24 001 G8	G	Size 24 (2xPE)	
Socket				
523-C146S16001G8	C146 S16 001 G8	H	Size 16 (2xPE)	
523-C146S24001G8	C146 S24 001 G8	H	Size 24 (2xPE)	

Removal Tools/Accessories

For quantities greater than listed, call for quote.

MOUSER STOCK NO.	Amphenol Part No.	Fig.	Description	Price Each
Pin				
523-C146A00001E8	C146 A00 001 E8	-	Blank Modules	
Socket				
523-C146B00001E8	C146 B00 001 E8	-	Blank Modules	

HEAVYMATE® Q

Contact Inserts

For quantities greater than listed, call for quote.

MOUSER STOCK NO.	Amphenol Part No.	Fig.	Description	Price Each
Pin				
523-C14610A00550012	C146 10A005 500 12	I	5 pole 5 + PE	
Socket				
523-C14610B00550012	C146 10B005 500 12	J	5 pole 5 + PE	
Coding Element				
523-N170450001	N17 045 000 1	-	5+PE	

COOLPOWER® DWR SLIM DRAWER CONNECTORS

Features:

- Power, signal and mixed contact combinations up to 8 power + 40 signal
- High current CoolBand or RADSOK® power contacts for maximum performance
- Optional sequential contact engagement (first make / last break)
- UL 1977 compliance
- Integrated alignment correction
- Available metal guide pin/float mount system for additional mating reliability
- PCB orientation features and keying to prevent improper mounting and mating

For quantities greater than listed, call for quote.

MOUSER STOCK NO.	Amphenol Part No.	Fig.	Description	Price Each
Pin				
523-DWRT010PV23301	DWR-T010P-V233-01	K	10 Signal, Vert, CB8, PCB Solder Tail	
523-DWRT200PV23693	DWR-T200P-V236-93	K	2 Power, Vert, CB8, PBC Solder Tail	
523-DWRT210PV21602	DWR-T210P-V216-02	K	2 Power, 10 Signal, Vert, CB8 Solder Cup	
523-DWRT424PV23690	DWR-T424P-V236-90	K	4 Power, 24 Signal, Vert, CB8, PBC Solder Tail	
523-DWRT600PV21290	DWR-T600P-V212-90	K	6 Power, Vert, CB8, Solder Cup	
523-DWRT818PV23690	DWR-T818P-V236-90	K	8 Power, 18 Signal, Vert, CB8, PBC Solder Tail	
523-DWRT818PV23691	DWR-T818P-V236-91	K	8 Power, 18 Signal, Vert, CB8, PBC Solder Tail	
523-DWRT820PR233B2	DWR-T820P-R233-B2	K	8 Power, 20 Signal, Right Angle, CB8, PBC Solder Tail	
Socket				
523-DWRT010SV23301	DWR-T010S-V233-01	L	10 Signal, Vert, CB10 PBC Solder Tail	
523-DWRT200SV23692	DWR-T200S-V236-92	L	2 Power, Vert, CB10, PBC Solder Tail	
523-DWRT210SV21602	DWR-T210S-V216-02	L	2 Power, 10 Signal, Vert, CB10, Solder Cup	
523-DWRT424SV23690	DWR-T424S-V236-90	L	4 Power, 24 Signal, Vert, CB10, PBC Solder Tail	
523-DWRT600SV21290	DWR-T600S-V212-90	L	6 Power, Vert, CB10, Solder Cup	
523-DWRT818SV23690	DWR-T818S-V236-90	L	8 Power, 18 Signal, Vert, CB10, PBC Solder Tail	
523-DWRT820SV23301	DWR-T820S-V233-01	L	8 Power, 20 Signal, Vert, CB10, PBC Solder Tail	

APEX GALLEY CONNECTORS

Heavy Duty

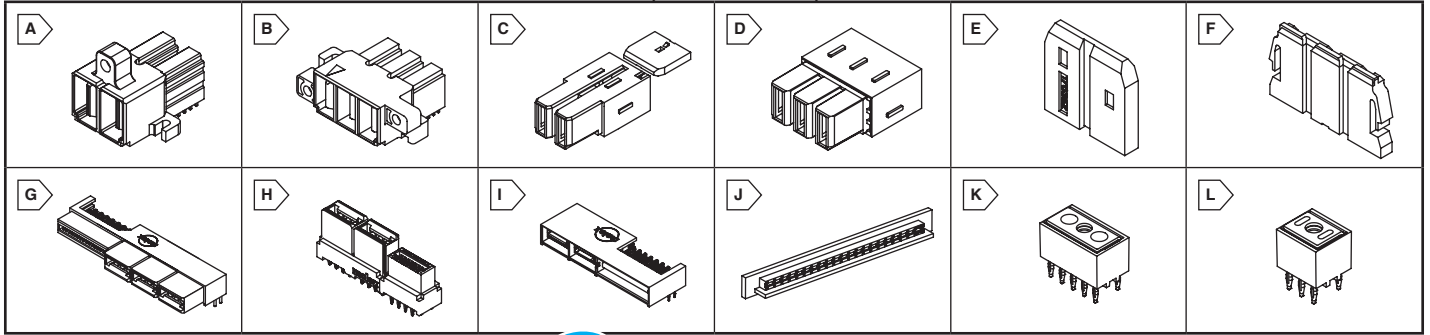
For quantities greater than listed, call for quote.

MOUSER STOCK NO.	Amphenol Part No.	Fig.	Description	Price Each
Pin				
523-APX2A801C	APX2A801C	M	Plug w/ Contacts ARINC 810	
523-APX2A801G	APX2A801G	M	Plug ARINC w/Contacts no twinax	
523-APX2A801K	APX2A801K	M	Plug No Contacts ARINC 810	
Female				
523-APX2B801C	APX2B801C	N	REC w/ Contacts ARINC 810	
523-APX2B801G	APX2B801G	N	REC ARINC w/Contacts no twinax	
523-APX2B801K	APX2B801K	N	REC No Contacts ARINC 810	

MOLEX EXTreme Power Connectors

molex
one company • a world of innovation

RoHS Compliant **This product is RoHS compliant.**



EXTreme Guardian™ CONNECTORS

Features:

- High-current density per inch supports up to 80.0A per blade (180.0A per inch)
- Redundant contact design handles up to 600V and supports AC or DC high-voltage applications
- Small centerline spacing of 11.00mm reduces PCB footprint

Specifications:

- Voltage (max.): 600V AC/DC max.
- Current (max.): 80.0A
- Housing: Polyester, 94V-0
- Contact: Copper (Cu) Alloy



RoHS Compliant

PCB Headers

For quantities greater than listed, call for quote.

MOUSER STOCK NO.	Molex Part No.	Fig.	No. of Circuits	PCB Thick. (mm)	Tail Length (mm)	Price Each			
						1	25	50	100
538-46817-1002	46817-1002	A	2	2.36	3.86				
538-46817-1000	46817-1000	B	3	2.36	3.86				

Receptacle Housings

For quantities greater than listed, call for quote.

MOUSER STOCK NO.	Molex Part No.	Fig.	No. of Circuits	AWG	Price Each			
					1	25	50	100
538-170351-0002	170351-0002	C	2	8 - 10				
538-46818-0001	46818-0001	D	3	8 - 10				

EXTreme LPHPower™ CONNECTORS

The EXTreme LPHPower connector is a mixed high-current power and signal connector system. Designed with power blades parallel to the PC board, its extremely low-profile height of 7.50mm creates system airflow while taking up 58% less space than traditional connectors with the same current rating.

Features:

- Low Profile design, 7.50mm height
- Rated for current interruption hot-plugging requirements
- Rugged signal and power contacts reduce the potential for stubbing or damage
- Two isolated power contacts per housing bay
- Last-mate/first-break available on power contacts

Specifications:

- Voltage: 250V max.
- Current: Power-30A max. Signal-1A max.
- Housing: LCP
- Contacts: Power-Copper Alloy Signal-Phosphor Bronze



RoHS Compliant



For quantities greater than listed, call for quote.

MOUSER STOCK NO.	Molex Part No.	Fig.	No. of Contacts	Orientation	Guides	PCB Thickness	Price Each			
							1	10	25	50
Receptacles										
538-45984-4132	45984-4132	G	4P+20S	Rt. Angle	No	.093"				
538-45984-4142	45984-4142	G	4P+24S	Rt. Angle	No	.093"				
538-45984-4152	45984-4152	G	4P+28S	Rt. Angle	No	.093"				
538-45984-4432	45984-4432	G	4P+20S	Rt. Angle	Yes	.093"				
538-45984-4442	45984-4442	G	4P+24S	Rt. Angle	Yes	.093"				
538-45984-4452	45984-4452	G	4P+28S	Rt. Angle	Yes	.093"				
538-45984-6142	45984-6142	G	6P+24S	Rt. Angle	No	.093"				
538-45984-6152	45984-6152	G	6P+28S	Rt. Angle	No	.093"				
538-45984-6162	45984-6162	G	6P+32S	Rt. Angle	No	.093"				
538-45984-6442	45984-6442	G	6P+24S	Rt. Angle	Yes	.093"				
538-45984-6452	45984-6452	G	6P+28S	Rt. Angle	Yes	.093"				
538-45984-6462	45984-6462	G	6P+32S	Rt. Angle	Yes	.093"				
538-45984-8442	45984-8442	G	8P+24S	Rt. Angle	Yes	.093"				
538-45984-8452	45984-8452	G	8P+28S	Rt. Angle	Yes	.093"				
538-45984-8462	45984-8462	G	8P+32S	Rt. Angle	Yes	.093"				
538-46114-4201	46114-4201	H	4P+20S	Vertical	No	.062"				
538-46114-4241	46114-4241	H	4P+24S	Vertical	No	.062"				
538-46114-4281	46114-4281	H	4P+28S	Vertical	No	.062"				
538-46114-4200	46114-4200	H	4P+20S	Vertical	Yes	.062"				
538-46114-4240	46114-4240	H	4P+24S	Vertical	Yes	.062"				
538-46114-4280	46114-4280	H	4P+28S	Vertical	Yes	.062"				
538-46114-6240	46114-6240	H	6P+24S	Vertical	Yes	.062"				
538-46114-6280	46114-6280	H	6P+28S	Vertical	Yes	.062"				
538-46114-6320	46114-6320	H	6P+32S	Vertical	Yes	.062"				
538-46114-8240	46114-8240	H	8P+24S	Vertical	Yes	.062"				
538-46114-8280	46114-8280	H	8P+28S	Vertical	Yes	.062"				
538-46114-8320	46114-8320	H	8P+32S	Vertical	Yes	.062"				
538-46114-8400	46114-8400	H	8P+40S	Vertical	Yes	.062"				
Plugs										
538-45985-4432	45985-4432	I	4P+20S	Rt. Angle	Yes	.093"				
538-45985-4442	45985-4442	I	4P+24S	Rt. Angle	Yes	.093"				
538-45985-4452	45985-4452	I	4P+28S	Rt. Angle	Yes	.093"				
538-45985-6442	45985-6442	I	6P+24S	Rt. Angle	Yes	.093"				
538-45985-6452	45985-6452	I	6P+28S	Rt. Angle	Yes	.093"				
538-45985-6462	45985-6462	I	6P+32S	Rt. Angle	Yes	.093"				
538-45985-8442	45985-8442	I	8P+24S	Rt. Angle	Yes	.093"				
538-45985-8452	45985-8452	I	8P+28S	Rt. Angle	Yes	.093"				
538-45985-8462	45985-8462	I	8P+32S	Rt. Angle	Yes	.093"				

EXTreme MicroPower™ CONNECTORS

The EXTreme MicroPower High-current header can be used in VRM/DC-DC Converters or any board to board application where power transfer is needed through a non-separable interface in a compact design.

Features:

- Compact size improves airflow and saves PCB space
- Rated for current interruption hot-plugging requirements and greater density capability with lower resistance
- Solder to both PCBs

Specifications:

- Housing: LCP
- Contacts: Copper Alloy
- Voltage: 250V max.
- Current: 16A max.



For quantities greater than listed, call for quote.

MOUSER STOCK NO.	Molex Part No.	Fig.	No. of Contacts	Orientation	Tail Length	Price Each			
						1	10	25	50
538-75730-0206	75730-0206	J	6	Rt. Angle	.125"				
538-75730-0216	75730-0216	J	16	Rt. Angle	.125"				
538-75730-0222	75730-0222	J	22	Rt. Angle	.125"				

EXTreme ZPower™ CONNECTORS

The EXTreme ZPower Connector can be used in either a mezzanine style board to board or remote style wire to board application. It can also double as an effective stand-off.

Features:

- Low contact resistance
- Rigid, screw down interface
- Compliant pin-interface
- Captured internal nut

Specifications:

- Voltage: 250V max.
- PCB Thickness: .093"



RoHS Compliant

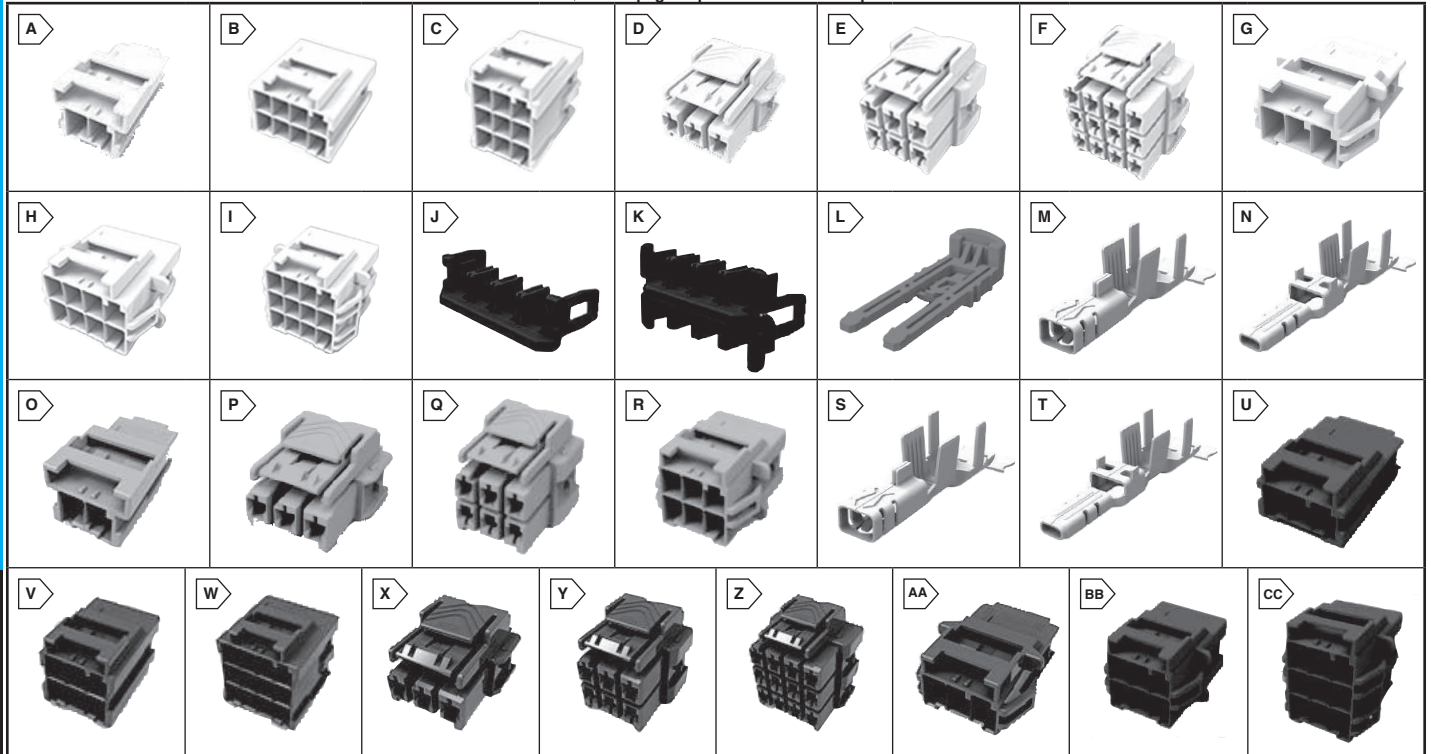


For quantities greater than listed, call for quote.

MOUSER STOCK NO.	Molex Part No.	Fig.	Description	Tail Length	Current (max.)	Price Each			
						1	10	25	50
538-76001-0010	76001-0010	K	10 Press Fit tails, Gold	.154"	50A				
538-76001-0110	76001-0110	K	10 Press Fit tails, Tin	.154"	50A				
538-76001-0006	76001-0006	L	6 Press Fit tails, Gold	.154"	30A				
538-76001-0106	76001-0106	L	6 Press Fit tails, Tin	.154"	30A				

TE CONNECTIVITY Power Connectors

RoHS Compliant This page of product is RoHS compliant.



TRIPLE LOCK POWER CONNECTORS

Features:

- Audible 'lock' latch provides positive feedback when cap plug and mated while the ribs surrounding the latch prevent wires from becoming snagged underneath the latch.
- Optional Connector Position Assurance (CPA) ensures that once engaged the Power Triple Lock Connector System cannot be mistakenly disengage code to prevent mis-mating on the assembly line.
- Optional Terminal Position Assurance (TPA) ensures that contacts are fully seated within the housing and provides an added measure against contact back out
- Available in three levels of housing materials with keying/color code to prevent mis-mating on the assembly line.

Materials:

- Housing: UL94V-0
- Operating temperature: -55 to 105°C standard material; -55 to 150°C high temp material

Applications:

- Refrigerators, Dishwashers, Washers/Dryers, Cookware, Water Heaters, Vacuums, Garage Door Openers
- Automotive, Commercial Building, Industrial Machinery, HVAC, Rail

For quantities greater than listed, call for quote

MOUSER STOCK NO.	TE Part No.	Fig.	Description	Price Each		
				1	100	500
Standard						
571-1-1971771-2	1-1971771-2	A	2P 1x2 A Cap Housing Free Hanging			
571-1-1971771-3	1-1971771-3	A	3P 1x3 A Cap Housing Free Hanging			
571-1-1971771-4	1-1971771-4	A	4P 1x4 A Cap Housing Free Hanging			
571-1-1971771-7	1-1971771-7	A	5P 1x5 A Cap Housing Free Hanging			
571-1-1971774-3	1-1971774-3	B	6P 2x3 A Cap Housing Free Hanging			
571-1-1971774-4	1-1971774-4	B	8P 2x4 A Cap Housing Free Hanging			
571-1-1971774-5	1-1971774-5	B	10P 2x5 cap Housing Key A free hang			
571-1-1971874-3	1-1971874-3	C	9P 3x3 A Cap Housing Free Hanging			
571-1-1971874-4	1-1971874-4	C	12P 3x4 A Cap Housing Free Hanging			
571-1-1971874-7	1-1971874-7	C	15P 3x5 A Cap Housing Free Hanging			
571-1-1971773-2	1-1971773-2	D	2P 1x2 A Plug Housing			
571-1-1971773-3	1-1971773-3	D	3P 1x3 A Plug Housing			
571-1-1971773-4	1-1971773-4	D	4P 1x4 A Plug Housing			
571-1-1971773-7	1-1971773-7	D	5P 1x5 A Plug Housing			
571-1-1971776-3	1-1971776-3	E	6P 2x3 A Plug Housing			
571-1-1971776-4	1-1971776-4	E	8P 2x4 A Plug Housing			
571-1-1971776-5	1-1971776-5	E	10P 2x5 Plug Housing Key A			
571-1-1971876-3	1-1971876-3	F	9P 3x3 A Plug Housing			
571-1-1971876-4	1-1971876-4	F	12P 3x4 A Plug Housing			
571-1-1971876-7	1-1971876-7	F	15P 3x5 A Plug Housing			
571-1-1971772-2	1-1971772-2	G	2P 1x2 A Cap Housing Panel Mt			
571-1-1971772-3	1-1971772-3	G	3P 1x3 A Cap Housing Panel Mt			
571-1-1971772-4	1-1971772-4	G	4P 1x4 A Cap Housing Panel Mt			
571-1-1971772-7	1-1971772-7	G	5P 1x5 A Cap Housing Panel Mt			
571-1-1971775-3	1-1971775-3	H	6P 2x3 A Cap Housing Panel Mt			
571-1-1971775-4	1-1971775-4	H	8P 2x4 A Cap Housing Panel Mt			
571-1-1971775-5	1-1971775-5	H	10P 2x5 Cap Housing Panel Mt Key A			
571-1-1971875-3	1-1971875-3	I	9P 3x3 A Cap Housing Panel Mt			
571-1-1971875-4	1-1971875-4	I	12P 3x4 A Cap Housing Panel Mt			
571-1-1971875-7	1-1971875-7	I	15P 3x5 A Cap Housing Panel Mt			
571-1971777-2	1971777-2	J	2P 1x2 150C TPA-Locking Plate			
571-1971777-3	1971777-3	J	3P 1x3 150C TPA-Locking Plate			
571-1971777-4	1971777-4	J	4P 1x4 150C TPA-Locking Plate			
571-1971777-5	1971777-5	J	5P 1x5 150C TPA-Locking Plate			
571-1971778-3	1971778-3	K	6P 2x3 150C TPA-Locking Plate			
571-1971778-4	1971778-4	K	8P 2x4 150C TPA-Locking Plate			
571-1971778-5	1971778-5	K	10P 2x5 150C TPA-Locking Plate			
571-1971789-1	1971789-1	L	CPA			
571-1971783-1	1971783-1	M	16-20AWG Receptacle Contact			
571-1971785-1	1971785-1	M	22AWG Receptacle Contact			
571-1971784-1	1971784-1	N	16-20AWG Tab Contact			
571-1971786-1	1971786-1	N	22AWG Tab Contact			

For quantities greater than listed, call for quote

MOUSER STOCK NO.	TE Part No.	Fig.	Description	Price Each		
				1	100	500
High Temperature						
571-5-1971771-2	5-1971771-2	O	2P 1x2 Cap Hsg free hanging Key A			
571-5-1971771-3	5-1971771-3	O	3P 1x3 Cap Hsg free hanging Key A			
571-9-1971773-2	9-1971773-2	P	2P 1x2 plug Housing Key A			
571-5-1971773-3	5-1971773-3	P	3P 1x3 plug Housing Key A			
571-5-1971776-3	5-1971776-3	Q	6P 2x3 plug Housing Key A			
571-5-1971775-3	5-1971775-3	R	6P 2x3 Cap Housing panel Mt Key A			
571-1971783-2	1971783-2	S	16-20AWG Receptacle Contact			
571-1971784-2	1971784-2	T	16-20AWG Tab Contact			
Glow Wire						
571-5-2232358-2	5-2232358-2	U	2P 1x2 Cap Hsg free hanging Key A			
571-5-2232358-3	5-2232358-3	U	3P 1x3 Cap Hsg free hanging Key A			
571-5-2232358-4	5-2232358-4	U	4P 1x4 Cap Hsg free hanging Key A			
571-5-2232358-7	5-2232358-7	U	5P 1x5 Cap Hsg free hanging Key A			
571-5-2232359-3	5-2232359-3	V	6P 2x3 Cap Hsg free hanging Key A			
571-5-2232359-4	5-2232359-4	V	8P 2x4 Cap Hsg free hanging Key A			
571-5-2232359-5	5-2232359-5	V	10P 2x5 Cap Hsg free hanging Key A			
571-5-2232359-6	5-2232359-6	V	12P 2x6 Cap Hsg free hanging Key A			
571-5-2232360-3	5-2232360-3	W	9P 3x3 Cap Hsg free hanging Key A			
571-5-2232360-4	5-2232360-4	W	12P 3x4 Cap Hsg free hanging Key A			
571-5-2232360-7	5-2232360-7	W	15P 3x5 Cap Hsg free hanging Key A			
571-5-2232265-2	5-2232265-2	X	2P 1x2 Plug Housing Key A			
571-5-2232265-3	5-2232265-3	X	3P 1x3 Plug Housing Key A			
571-5-2232265-4	5-2232265-4	X	4P 1x4 Plug Housing Key A			
571-5-2232265-7	5-2232265-7	X	5P 1x5 Plug Housing Key A			
571-5-2232266-3	5-2232266-3	Y	6P 2x3 Plug Housing Key A			
571-5-2232266-4	5-2232266-4	Y	8P 2x4 Plug Housing Key A			
571-5-2232266-6	5-2232266-6	Y	12P 2x6 Plug Housing Key A			
571-5-2232357-3	5-2232357-3	Z	9P 3x3 Plug Housing Key A			
571-5-2232357-4	5-2232357-4	Z	12P 3x4 Plug Housing Key A			
571-5-2232357-7	5-2232357-7	Z	15P 3x5 Plug Housing Key A			
571-5-2232263-2	5-2232263-2	AA	2P 1x2 Cap Hsg Panel Mt Key A			
571-5-2232263-3	5-2232263-3	AA	3P 1x3 Cap Hsg Panel Mt Key A			
571-5-2232263-4	5-2232263-4	AA	4P 1x4 Cap Hsg Panel Mt Key A			
571-5-2232263-7	5-2232263-7	AA	5P 1x5 Cap Hsg Panel Mt Key A			
571-5-2232264-3	5-2232264-3	BB	6P 2x3 Cap Hsg Panel Mt Key A			
571-5-2232264-4	5-2232264-4	BB	8P 2x4 Cap Hsg Panel Mt Key A			
571-5-2232264-6	5-2232264-6	BB	12P 2x6 Cap Hsg Panel Mt Key A			
571-5-2232356-3	5-2232356-3	CC	9P 3x3 Cap Hsg Panel Mt Key A			
571-5-2232356-4	5-2232356-4	CC	12P 3x4 Cap Hsg Panel Mt Key A			
571-5-2232356-7	5-2232356-7	CC	15P 3x5 Cap Hsg Panel Mt Key A			

NEW AT MOUSER

Power Connectors

TE Connectivity

3M™ .100" x .100" Pin Strip Headers



2300 SERIES

Specifications:

- Insulation material: Glass filled thermoplastic, Black, UL94V-0
- Contact material: Copper alloy
- Tail plating: 100µ" Tin
- Current rating: 3A
- Withstanding voltage: 1000Vrms
- Operating Temperature: -55°C to +105°C
- Mates with socket series 929 and CHG



For quantities greater than listed, call for quote.

MOUSER STOCK NO.	3M Part No.	Fig.	No. of Positions	Orientation	Mating Length	Contact Plating	Price Each			
							1	10	25	50
Single Row										
517-2301-6111TG	2301-6111TG	A	1	Straight	0.23	10µ" Gold				
517-2312-6111TG	2312-6111TG	A	12	Straight	0.23	10µ" Gold				
517-6111TG	2340-6111TG	A	40	Straight	0.23	10µ" Gold				
517-6211TG	2340-6211TG	A	40	Straight	0.318	10µ" Gold				
517-5111TG	2340-5111TG	B	40	Right Angle	0.23	10µ" Gold				
Double Row										
517-2308-6121TG	2308-6121TG	C	8	Straight	0.23	10µ" Gold				
517-2316-6121TG	2316-6121TG	C	16	Straight	0.23	10µ" Gold				
517-2320-6121TG	2320-6121TG	C	20	Straight	0.23	10µ" Gold				
517-2330-6121TG	2330-6121TG	C	30	Straight	0.23	10µ" Gold				
517-2350-6121TG	2350-6121TG	C	50	Straight	0.23	10µ" Gold				
517-6121TG	2380-6121TG	C	80	Straight	0.23	10µ" Gold				
517-6221TG	2380-6221TG	C	80	Straight	0.318	10µ" Gold				
517-5121TG	2380-5121TG	D	80	Right Angle	0.23	10µ" Gold				

929 SERIES

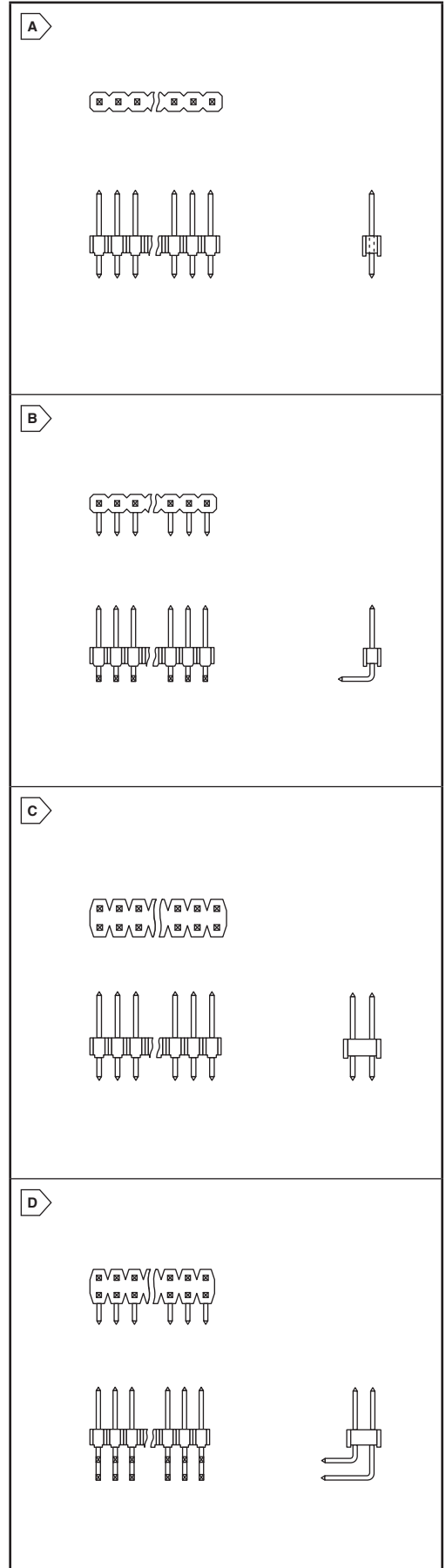
Specifications:

- Insulation material: Glass filled polyester (PBT), Black, UL94V-0
- Contact material: Copper alloy
- Tail plating: 100µ" Tin
- Current rating: 2.5A
- Withstanding voltage: 1500Vrms
- Operating Temperature: -40°C to +105°C
- Mates with socket series 929 and CHG



For quantities greater than listed, call for quote.

MOUSER STOCK NO.	3M Part No.	Fig.	No. of Positions	Orientation	Mating Length	Contact Plating	Price Each			
							1	10	25	50
Straight Solder Tail, Single Row										
517-647-01-02	929647-01-02-I	A	2	.110	.235"	Gold				
517-834-01-03	929834-01-03	A	3	.110	.235"	Tin				
517-647-01-03	929647-01-03-I	A	3	.110	.235"	Gold				
517-834-01-06	929834-01-06	A	6	.110	.235"	Tin				
517-400-01-08	929400-01-08	A	8	.135	.295"	Tin				
517-400-01-10	929400-01-10	A	10	.135	.295"	Tin				
517-647-01-18	929647-01-18-I	A	18	.110	.235"	Gold				
517-800-01-36	929800-01-36	A	36	.110	.093"	Tin				
517-647-01-36	929647-01-36-I	A	36	.110	.235"	Gold				
517-647-02-36	929647-02-36-I	A	36	.210	.235"	Gold				
517-647-03-36	929647-03-36-I	A	36	.410	.235"	Gold				
517-647-04-36	929647-04-36-I	A	36	.510	.235"	Gold				
517-647-05-36	929647-05-36-I	A	36	.610	.235"	Gold				
517-647-07-36	929647-07-36-I	A	36	.910	.235"	Gold				
517-647-09-36	929647-09-36-I	A	36	.145	.235"	Gold				
517-834-01-36	929834-01-36	A	36	.110	.235"	Tin				
517-834-02-36	929834-02-36	A	36	.210	.235"	Tin				
517-834-03-36	929834-03-36	A	36	.410	.235"	Tin				
517-834-04-36	929834-04-36	A	36	.510	.235"	Tin				
517-834-05-36	929834-05-36	A	36	.610	.235"	Tin				
517-834-07-36	929834-07-36	A	36	.910	.235"	Tin				
517-400-01-36	929400-01-36	A	36	.135	.295"	Tin				
517-450-01-36	929450-01-36-I	A	36	.135	.295"	Gold				
517-705-09-36	929705-09-36-I	A	36	.145	.318"	Gold				
517-705-11-36	929705-11-36-I	A	36	.125	.318"	Gold				
517-700-01-36	929700-01-36	A	36	.110	.318"	Tin				
517-700-06-36	929700-06-36	A	36	.710	.318"	Tin				
517-700-11-36	929700-11-36	A	36	.125	.318"	Tin				
Right Angle Solder Tail, Single Row										
517-835-01-05	929835-01-05	B	5	.110	.235"	Tin				
517-550-01-08	929550-01-08-I	B	8	.135	.295"	Gold				
517-835-01-16	929835-01-16	B	16	.110	.235"	Tin				
517-550-01-36	929550-01-36-I	B	36	.135	.295"	Gold				
517-500-01-36	929500-01-36	B	36	.135	.295"	Tin				
Straight Solder Tail, Double Row										
517-836-01-02	929836-01-02	C	4	.110	.235"	Tin				
517-836-01-04	929836-01-04	C	8	.110	.235"	Tin				
517-836-01-05	929836-01-05	C	10	.110	.235"	Tin				
517-836-01-10	929836-01-10	C	20	.110	.235"	Tin				
517-665-01-36	929665-01-36-I	C	72	.110	.235"	Gold				
517-665-02-36	929665-02-36-I	C	72	.210	.235"	Gold				
517-665-03-36	929665-03-36-I	C	72	.410	.235"	Gold				
517-665-04-36	929665-04-36-I	C	72	.510	.235"	Gold				
517-665-05-36	929665-05-36-I	C	72	.610	.235"	Gold				
517-665-08-36	929665-08-36-I	C	72	.310	.235"	Gold				
517-665-09-36	929665-09-36-I	C	72	.145	.235"	Gold				
517-836-01-36	929836-01-36	C	72	.110	.235"	Tin				
517-836-02-36	929836-02-36	C	72	.210	.235"	Tin				
517-836-03-36	929836-03-36	C	72	.410	.235"	Tin				
517-836-04-36	929836-04-36	C	72	.510	.235"	Tin				
517-836-05-36	929836-05-36	C	72	.610	.235"	Tin				
517-836-08-36	929836-08-36	C	72	.310	.235"	Tin				
517-836-09-36	929836-09-36	C	72	.145	.235"	Tin				
517-715-01-36	929715-01-36-I	C	72	.110	.318"	Gold				
517-710-01-36	929710-01-36	C	72	.110	.318"	Tin				
517-710-03-36	929710-03-36	C	72	.410	.318"	Tin				
Right Angle Solder Tail, Double Row										
517-667-01-36	929667-01-36-I	D	72	.110	.235"	Gold				
517-838-02-36	929838-02-36	D	72	.405	.235"	Tin				
517-838-04-36	929838-04-36	D	72	.145	.235"	Tin				

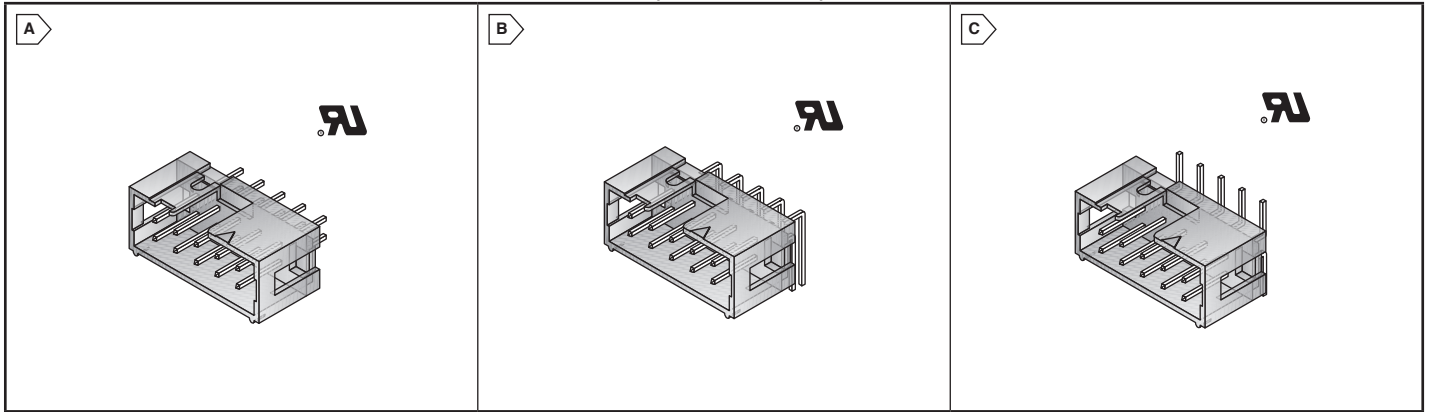


Rectangular Connectors 3M

3M™ .100" x .100" Boardmount Connectors



RoHS Compliant This product is RoHS compliant.



2500 SERIES .100" X .100" LOW PROFILE BOX HEADERS

D2500 SERIES .100" X .100" LOW PROFILE BOX HEADERS

Specifications:

- Solder Tail Type
- Low profile, space saving design
- High temperature insulator suitable for "no lead" soldering operations
- Suitable for reflow soldering using "paste in hole" techniques
- Insulation material: Glass filled polyester (PCT)
- Flammability: UL94V-0
- Color: Black
- Contact material: Copper Alloy
- Contact plating: 30µ" Gold
- Terminal finish indicator: e3 (per JESD97)
- Current rating: 2A
- Insulation resistance: >1 x 10⁹ @ 500VDC
- Withstanding voltage: 1000Vrms @ sea level
- Temperature rating: 55°C to +105°C
- Process rating: Maximum 260°C, single pass, (profile per J-STD-020C)
- Moisture sensitivity level: 1 (per J-STD-020C)
- Mates w/socket series: CHG, 8500, 3000, and 891
- RoHS compliant per 3M documentation

Specifications:

- Contact Plating 10µ" Gold
- Low profile, space saving design
- High temperature insulator suitable for "no lead" soldering operations
- Insulation material: Glass filled polyester (PCT)
- Flammability: UL94V-0
- Color: Black

For quantities greater than listed, call for quote.

MOUSER STOCK NO.	3M Part No.	Fig.	No. of Positions	Price Each			
				1	25	50	100
Straight - Through Hole							
517-D2510-6002-AR	D2510-6002-AR	A	10				
517-D2514-6002-AR	D2514-6002-AR	A	14				
517-D2516-6002-AR	D2516-6002-AR	A	16				
517-D2520-6002-AR	D2520-6002-AR	A	20				
517-D2526-6002-AR	D2526-6002-AR	A	26				
517-D2530-6002-AR	D2530-6002-AR	A	30				
517-D2534-6002-AR	D2534-6002-AR	A	34				
517-D2540-6002-AR	D2540-6002-AR	A	40				
517-D2550-6002-AR	D2550-6002-AR	A	50				
Right Angle - Through Hole							
517-D2510-5002-AR	D2510-5002-AR	B	10				
517-D2514-5002-AR	D2514-5002-AR	B	14				
517-D2516-5002-AR	D2516-5002-AR	B	16				
517-D2520-5002-AR	D2520-5002-AR	B	20				
517-D2526-5002-AR	D2526-5002-AR	B	26				
517-D2530-5002-AR	D2530-5002-AR	B	30				
517-D2550-5002-AR	D2550-5002-AR	B	50				
Straight - Surface Mount							
517-D2510-6V0C-AR-WD	D2510-6V0C-AR-WD	C	10				
517-D2514-6V0C-AR-WD	D2514-6V0C-AR-WD	C	14				
517-D2516-6V0C-AR-WE	D2516-6V0C-AR-WE	C	16				
517-D2520-6V0C-AR-WE	D2520-6V0C-AR-WE	C	20				
517-D2530-6V0C-AR-WF	D2530-6V0C-AR-WF	C	30				
517-D2540-6V0C-AR-WH	D2540-6V0C-AR-WH	C	40				
517-D2550-6V0C-AR-WG	D2550-6V0C-AR-WG	C	50				

For quantities greater than listed, call for quote.

MOUSER STOCK NO.	3M Part No.	Fig.	No. of Positions	Price Each			
				1	25	50	100
Straight - Through Hole							
517-N2510-6002RB	N2510-6002RB	A	10				
517-N2514-6002RB	N2514-6002RB	A	14				
517-N2516-6002RB	N2516-6002RB	A	16				
517-N2520-6002RB	N2520-6002RB	A	20				
517-N2524-6002RB	N2524-6002RB	A	24				
517-N2526-6002RB	N2526-6002RB	A	26				
517-N2530-6002RB	N2530-6002RB	A	30				
517-N2534-6002RB	N2534-6002RB	A	34				
517-N2540-6002RB	N2540-6002RB	A	40				
517-N2550-6002RB	N2550-6002RB	A	50				
517-N2560-6002RB	N2560-6002RB	A	60				
517-N2564-6002RB	N2564-6002RB	A	64				
Right Angle - Through Hole							
517-N2510-5002RB	N2510-5002RB	B	10				
517-N2514-5002RB	N2514-5002RB	B	14				
517-N2516-5002RB	N2516-5002RB	B	16				
517-N2520-5002RB	N2520-5002RB	B	20				
517-N2524-5002RB	N2524-5002RB	B	24				
517-N2526-5002RB	N2526-5002RB	B	26				
517-N2530-5002RB	N2530-5002RB	B	30				
517-N2534-5002RB	N2534-5002RB	B	34				
517-N2540-5002RB	N2540-5002RB	B	40				
517-N2550-5002RB	N2550-5002RB	B	50				
Straight - Surface Mount							
517-N2510-6V0C-RB-WD	N2510-6V0C-RB-WD	C	10				
517-N2514-6V0C-RB-WD	N2514-6V0C-RB-WD	C	14				
517-N2516-6V0C-RB-WE	N2516-6V0C-RB-WE	C	16				
517-N2520-6V0C-RB-WE	N2520-6V0C-RB-WE	C	20				
517-N2524-6V0C-RB-WE	N2524-6V0C-RB-WE	C	24				
517-N2526-6V0C-RB-WF	N2526-6V0C-RB-WF	C	26				
517-N2530-6V0C-RB-WF	N2530-6V0C-RB-WF	C	30				
517-N2534-6V0C-RB-WF	N2534-6V0C-RB-WF	C	34				
517-N2540-6V0C-RB-WG	N2540-6V0C-RB-WG	C	40				
517-N2550-6V0C-RB-WG	N2550-6V0C-RB-WG	C	50				

303 SERIES .100" X .100", LOW PROFILE BOX HEADERS

Specifications:

- Sturdy body
- End windows
- Insulation material: Glass filled polyester (PBT)
- Flammability: UL94V-0
- Insulation color: Black
- Contact material: Brass
- Contact plating: Gold flash
- Current rating: 1A
- Insulation resistance: >1 x 10⁹ @ 500VDC
- Withstanding voltage: 500Vrms @ sea level
- Temperature rating: -55°C to +105°C
- Mates with socket series: CHG, 8500, 3000, and 891
- RoHS compliant per 3M documentation

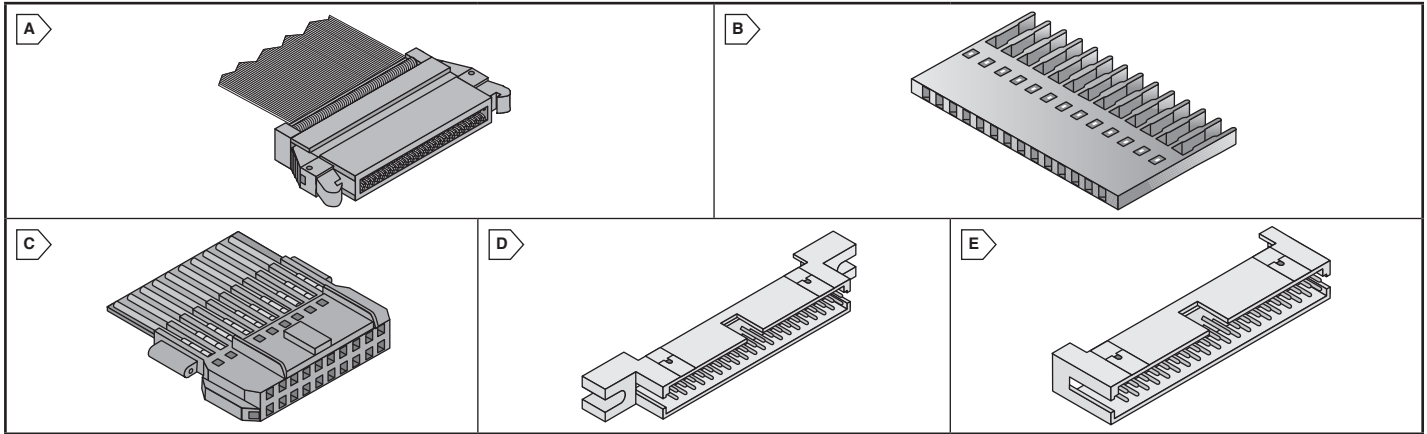
For quantities greater than listed, call for quote.

MOUSER STOCK NO.	3M Part No.	Fig.	No. of Positions	Price Each			
				1	25	50	100
Straight - Through Hole							
517-30310-6002	30310-6002HB	A	10				
517-30314-6002	30314-6002HB	A	14				
517-30316-6002	30316-6002HB	A	16				
517-30320-6002	30320-6002HB	A	20				
517-30326-6002	30326-6002HB	A	26				
517-30334-6002	30334-6002HB	A	34				
517-30340-6002	30340-6002HB	A	40				
517-30350-6002	30350-6002HB	A	50				
Right Angle - Through Hole							
517-30310-5002	30310-5002HB	B	10				
517-30314-5002	30314-5002HB	B	14				
517-30316-5002	30316-5002HB	B	16				
517-30320-5002	30320-5002HB	B	20				
517-30326-5002	30326-5002HB	B	26				
517-30334-5002	30334-5002HB	B	34				
517-30340-5002	30340-5002HB	B	40				
517-30350-5002	30350-5002HB	B	50				

3M™ .050" and .100" Wiremount Connectors



RoHS Compliant This product is RoHS compliant.



.050" PAK 50 WIREMOUNT SOCKETS

Features:

- Stranded PVC Flat Ribbon Cable
- Latch/eject mechanism maintains a secure connection
- Color: Black
- Current rating: 0.5A
- Temperature rating: -55°C to +85°C
- Plating: 10µ" Gold
- RoHS Compliant per 3M documentation



For quantities greater than listed, call for quote.

MOUSER STOCK NO.	3M Part No.	Fig.	No. of Positions	Price Each			
				1	10	25	50
P25E Series • Wire Accomodation: .025" 30AWG • Compatible w/ 3M™ 3754 Series Cable							
517-P25E-050S-EA	P25E-050S-EA	A	50				
517-P25E-080S-EA	P25E-080S-EA	A	80				
517-P25E-100S-EA	P25E-100S-EA	A	100				
P50E Series • Wire Accomodation: .050" 28AWG • Compatible w/ 3M™ 3365 Series Cable							
517-P50E-040S-EA	P50E-040S-EA	A	40				
517-P50E-080S-EA	P50E-080S-EA	A	80				
517-P50E-100S-EA	P50E-100S-EA	A	100				

CHG SERIES SOCKETS

Specifications:

- Twin slot IDC provides 4 points of contact
- Temperature rating: -55°C to +105°C
- Plating: 30µ" Gold
- Insulation material: Glass Filled Polyester (PBT), gray UL94V-0
- Contact material: Copper alloy
- Exclusive L/H 4-wipe contact
- RoHS Compliant per 3M documentation



For quantities greater than listed, call for quote.

MOUSER STOCK NO.	3M Part No.	Fig.	No. of Pos.	Current Ratings	Wire AWG	Price Each		
						1	10	25
.100" Pak 100 Wiremount Sockets								
517-CHG-1002-11-KCP	CHG-1002-001010-KCP	B	2	1.5A	26-28			
517-CHG-1002-11-KEP	CHG-1002-001010-KEP	B	2	2A	22-24			
517-CHG-1003-11-KCP	CHG-1003-001010-KCP	B	3	1.5A	26-28			
517-CHG-1003-11-KEP	CHG-1003-001010-KEP	B	3	2A	22-24			
517-CHG-1004-11-KCP	CHG-1004-001010-KCP	B	4	1.5A	26-28			
517-CHG-1004-11-KEP	CHG-1004-001010-KEP	B	4	2A	22-24			
517-CHG-1005-11-KCP	CHG-1005-001010-KCP	B	5	1.5A	26-28			
517-CHG-1005-11-KEP	CHG-1005-001010-KEP	B	5	2A	22-24			
.100" Pak 100 Wiremount Sockets (Cont.)								
517-CHG-1006-11-KEP	CHG-1006-001010-KEP	B	6	2A	22-24			
517-CHG-1008-11-KCP	CHG-1008-001010-KCP	B	8	1.5A	26-28			
517-CHG-1008-11-KEP	CHG-1008-001010-KEP	B	8	2A	22-24			
517-CHG-1010-11-KEP	CHG-1010-001010-KEP	B	10	2A	22-24			
517-CHG-1014-11-KCP	CHG-1014-001010-KCP	B	14	1.5A	26-28			
.100" Pak 100 Polarized Wiremount Sockets								
517-CHG-2010-J11-KCP	CHG-2010-J01010-KCP	C	10	1.5A	26-28			
517-2010-0101	CHG-2010-J01010-KEP	C	10	2A	22-24			
517-CHG-2014-J11-KEP	CHG-2014-J01010-KEP	C	14	2A	22-24			
517-CHG-2016-J11-KEP	CHG-2016-J01010-KEP	C	16	2A	22-24			
517-CHG20-J01010-KCP	CHG-2020-J01010-KCP	C	20	1.5A	26-28			
517-CHG20-J01010-KEP	CHG-2020-J01010-KEP	C	20	2A	22-24			
517-CHG-2024-J11-KEP	CHG-2024-J01010-KEP	C	24	2A	22-24			
517-CHG-2026-J01010	CHG-2026-J01010-KEP	C	26	2A	22-24			
517-CHG-2030-J11-KEP	CHG-2030-J01010-KEP	C	30	2A	22-24			
517-2034-J01010	CHG-2034-J01010-KEP	C	34	2A	22-24			
517-CHG-2040-J11-KEP	CHG-2040-J01010-KEP	C	40	2A	22-24			
517-CHG2050J01010KEP	CHG-2050-J01010-KEP	C	50	2A	22-24			

© Copyright 2014 Mouser Electronics

4600 SERIES .100" X .100" WIREMOUNT PLUGS IDC SHROUDED HEADERS

Specifications:

- Shrouded to protect against physical and chemical pin damage
- Accepts flat cable or discrete wire
- Insulation material: Glass filled polyester (PBT)
- Flammability: UL94V-0
- Color: Gray
- Contact material: Copper alloy
- Wire Accommodation: 26 and 28AWG solid or stranded
- RoHS compliant per 3M™ documentation
- Current rating: 1A
- Temperature rating: -55°C to +105°C
- Plating: 30µ" Gold
- Open end cover included
- Mates with socket series: CHG, 8500, 3000, and 891

With Mounting Flange



For quantities greater than listed, call for quote.

MOUSER STOCK NO.	3M Part No.	Fig.	No. of Positions	Price Each			
				1	25	50	100
517-4610-6000	4610-6000	D	10				
517-4610-6050	4610-6050	D	10				
517-4610-6250	4610-6250	D	10				
517-4610-7050	4610-7050	D	10				
517-4610-6350	4610-6350	D	10				
517-4614-6000	4614-6000	D	14				
517-4614-6200	4614-6200	D	14				
517-4614-6300	4614-6300	D	14				
517-4616-6000	4616-6000	D	16				
517-4620-6000	4620-6000	D	20				
517-4620-6200	4620-6200	D	20				
517-4620-6300	4620-6300	D	20				
517-4624-6000	4624-6000	D	24				
517-4626-6000	4626-6000	D	26				
517-4634-6000	4634-6000	D	34				
517-4640-6000	4640-6000	D	40				
517-4650-6000	4650-6000	D	50				

Without Mounting Flange



For quantities greater than listed, call for quote.

MOUSER STOCK NO.	3M Part No.	Fig.	No. of Positions	Price Each			
				1	25	50	100
517-4610-6001	4610-6001	E	10				
517-4610-6051	4610-6051	E	10				
517-4610-6251	4610-6251	E	10				
517-4610-6351	4610-6351	E	10				
517-4614-6001	4614-6001	E	14				
517-4616-6001	4616-6001	E	16				
517-4620-6001	4620-6001	E	20				
517-4620-6201	4620-6201	E	20				
517-4626-6001	4626-6001	E	26				
517-4634-6001	4634-6001	E	34				
517-4640-6001	4640-6001	E	40				
517-4650-6001	4650-6001	E	50				

Accessories

For quantities greater than listed, call for quote.

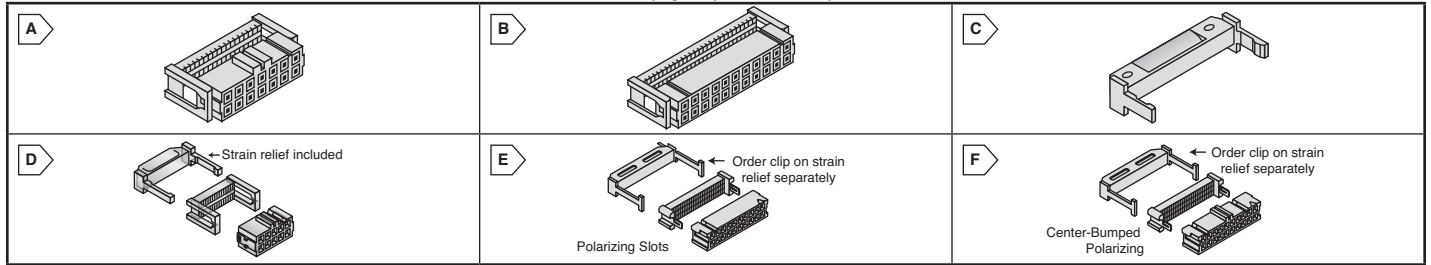
MOUSER STOCK NO.	3M Part No.	Description	Price Each			
			1	25	50	100
517-3448-4610	3448-4610	10P strain relief				
517-3448-4614	3448-4614	14P strain relief				
517-3448-4616	3448-4616	16P strain relief				
517-3448-4620	3448-4620	20P strain relief				
517-3448-4624	3448-4624	24P strain relief				
517-3448-4626	3448-4626	26P strain relief				
517-3448-4634	3448-4634	34P strain relief				
517-3448-4640	3448-4640	40P strain relief				
517-3448-4650	3448-4650	50P strain relief				
517-3518	3518	polarization key				
517-3505-16	3505-16	short latch; .726mm				
517-3505-17	3505-17	long latch; .875mm				

© Copyright 2014 Mouser Electronics

3M™ .100" x .100" Wiremount Connectors



RoHS Compliant This page of product is compliant.



891 SERIES WIREMOUNT SOCKETS

Preassembled Wiremount Sockets

- Plating: 30µ Gold
- Contact Material: Phosphor Bronze (C510)
- Current Rating: 1A
- Mates with Header Series 3000, 2500 and 303, Plug Series 4600
- RoHS Compliant per 3M™ documentation

For quantities greater than listed, call for quote.

MOUSER STOCK NO.	3M Part No.	Fig.	No. of Positions	Price Each			
				1	25	50	100
Centerbump Polarizing							
517-89110-0101	89110-0101	A	10				
517-89114-0101	89114-0101	A	14				
517-89116-0101	89116-0101	A	16				
517-89120-0101	89120-0101	A	20				
517-89126-0101	89126-0101	A	26				
517-89130-0101	89130-0101	A	30				
517-89134-0101	89134-0101	A	34				
517-89140-0101	89140-0101	A	40				
517-89150-0101	89150-0101	A	50				
Without Centerbump Polarizing							
517-89110-0001	89110-0001	B	10				
517-89114-0001	89114-0001	B	14				
517-89116-0001	89116-0001	B	16				
517-89120-0001	89120-0001	B	20				
517-89126-0001	89126-0001	B	26				
517-89134-0001	89134-0001	B	34				
517-89140-0001	89140-0001	B	40				
517-89150-0001	89150-0001	B	50				
517-89160-0001	89160-0001	B	60				
Optional Clip On Strain Relief							
517-3448-89110	3448-89110	C	10				
517-3448-89114	3448-89114	C	14				
517-3448-89116	3448-89116	C	16				
517-3448-89120	3448-89120	C	20				
517-3448-89126	3448-89126	C	26				
517-3448-89134	3448-89134	C	34				
517-3448-89140	3448-89140	C	40				
517-3448-89150	3448-89150	C	50				
517-3448-89160	3448-89160	C	60				
Centerbump Polarizing - Strain Relief Included							
517-8910	89110-0103	D	10				
517-8914	89114-0103	D	14				
517-8916	89116-0103	D	16				
517-8920	89120-0103	D	20				
517-8924	89124-0103	D	24				
517-8926	89126-0103	D	26				
517-8930	89130-0103	D	30				
517-8934	89134-0103	D	34				
517-8940	89140-0103	D	40				
517-8950	89150-0103	D	50				
517-8960	89160-0103	D	60				

Wiremount Sockets

- Plating: 10µ Gold
- Contact Material: Phosphor Bronze (C510)
- Current Rating: 1A
- Mates with Header Series 3000, 2500 and 303, Plug Series 4600
- RoHS Compliant per 3M™ documentation

For quantities greater than listed, call for quote.

MOUSER STOCK NO.	3M Part No.	Fig.	No. of Positions	Price Each			
				1	25	50	100
Centerbump Polarizing							
517-D89110-0131HK	D89110-0131HK	A	10				
517-D89114-0131HK	D89114-0131HK	A	14				
517-D89116-0131HK	D89116-0131HK	A	16				
517-D89120-0131HK	D89120-0131HK	A	22				
517-D89126-0131HK	D89126-0131HK	A	26				
517-D89130-0131HK	D89130-0131HK	A	30				
517-D89134-0131HK	D89134-0131HK	A	34				
517-D89140-0131HK	D89140-0131HK	A	40				
517-D89150-0131HK	D89150-0131HK	A	50				
Without Centerbump Polarizing							
517-D89110-0031HK	D89110-0031HK	B	10				
517-D89114-0031HK	D89114-0031HK	B	14				
517-D89116-0031HK	D89116-0031HK	B	16				
517-D89120-0031HK	D89120-0031HK	B	22				
517-D89126-0031HK	D89126-0031HK	B	26				
517-D89130-0031HK	D89130-0031HK	B	30				
517-D89134-0031HK	D89134-0031HK	B	34				
517-D89140-0031HK	D89140-0031HK	B	40				
517-D89150-0031HK	D89150-0031HK	B	50				

Wiremount Sockets (Cont.)

For quantities greater than listed, call for quote.

MOUSER STOCK NO.	3M Part No.	Fig.	No. of Positions	Price Each			
				1	25	50	100
Optional Clip On Strain Relief							
517-D3448-89110	D3448-89110	C	10				
517-D3448-89114	D3448-89114	C	14				
517-D3448-89116	D3448-89116	C	16				
517-D3448-89120	D3448-89120	C	22				
517-D3448-89126	D3448-89126	C	26				
517-D3448-89130	D3448-89130	C	30				
517-D3448-89134	D3448-89134	C	34				
517-D3448-89140	D3448-89140	C	40				
517-D3448-89150	D3448-89150	C	50				

3000 SERIES WIREMOUNT SOCKETS

- Industry standard IDC socket
- Current rating: 1A
- Positive locking metal "J" clips provide high cover retention
- Withstanding voltage: 1000Vrms
- Accepts flat cable or discrete wire
- Temperature rating: -55°C to +105°C
- Insulation material: Glass filled polyester (PBT), Gray, UL94V-0
- Contact material: Copper alloy
- Wire accommodation: 26 and 28AWG solid or stranded
- Mates with Header Series: 3000, 2500, and 303; Plug Series: 4600
- Plating: 30µ Gold
- Order strain reliefs separately
- RoHS compliant per 3M™ documentation

Polarizing Slots - Open-Ended for Daisy Chaining

MOUSER STOCK NO.	3M Part No.	Fig.	No. of Positions	1	25	50	100
517-3473-6000	3473-6000	E	10				
517-3385-6000	3385-6000	E	14				
517-3452-6000	3452-6000	E	16				
517-3421-6000	3421-6000	E	20				
517-3626-6000	3626-6000	E	24				
517-3399-6000	3399-6000	E	26				
517-3414-6000	3414-6000	E	34				
517-3417-6000	3417-6000	E	40				
517-3425-6000	3425-6000	E	50				

Polarizing Slots - Closed-Ended for Line Termination

MOUSER STOCK NO.	3M Part No.	Fig.	No. of Positions	1	25	50	100
517-3473-7000	3473-7000	E	10				
517-3385-7000	3385-7000	E	14				
517-3452-7000	3452-7000	E	16				
517-3421-7000	3421-7000	E	20				
517-3626-7000	3626-7000	E	24				
517-3399-7000	3399-7000	E	26				
517-3414-7000	3414-7000	E	34				
517-3425-7000	3425-7000	E	50				

Center-Bumped Polarizing - Open-Ended for Daisy Chaining

MOUSER STOCK NO.	3M Part No.	Fig.	No. of Positions	1	25	50	100
517-3473-6600	3473-6600	F	10				
517-3385-6600	3385-6600	F	14				
517-3452-6600	3452-6600	F	16				
517-3421-6600	3421-6600	F	20				
517-3626-6600	3626-6600	F	24				
517-3399-6600	3399-6600	F	26				
517-3419-6600	3419-6600	F	30				
517-3414-6600	3414-6600	F	34				
517-3417-6600	3417-6600	F	40				
517-3425-6600	3425-6600	F	50				

Center-Bumped Polarizing - Closed-Ended for Line Termination

MOUSER STOCK NO.	3M Part No.	Fig.	No. of Positions	1	25	50	100
517-3473-7600	3473-7600	F	10				
517-3385-7600	3385-7600	F	14				
517-3452-7600	3452-7600	F	16				
517-3421-7600	3421-7600	F	20				
517-3399-7600	3399-7600	F	26				
517-3419-7600	3419-7600	F	30				
517-3414-7600	3414-7600	F	34				
517-3417-7600	3417-7600	F	40				
517-3425-7600	3425-7600	F	50				

Plastic Clip On Strain Reliefs

MOUSER STOCK NO.	3M Part No.	Fig.	No. of Positions	1	25	50	100
517-3448-3010	3448-3010	-	10				
517-3448-3014	3448-3014	-	14				
517-3448-3016	3448-3016	-	16				
517-3448-3020	3448-3020	-	20				
517-3448-3024	3448-3024	-	24				
517-3448-3026	3448-3026	-	26				
517-3448-3030	3448-3030	-	30				
517-3448-3034	3448-3034	-	34				
517-3448-3040	3448-3040	-	40				
517-3448-3050	3448-3050	-	50				

3M™ 2mm x 2mm Headers and Sockets



RoHS Compliant This product is RoHS compliant.

158 AND 159 SERIES 2MM X 2MM SOCKETS AND HEADERS



For quantities greater than listed, call for quote.

MOUSER STOCK NO.	3M Part No.	Fig.	No. of Positions	Dimensions: in. (mm)		Price Each			
				A	B	1	25	50	100
Wiremount IDC Sockets									
517-158208-0120	158208-0120	A	8	8.39 (.330)	14.64 (.576)				
517-158210-0120	158210-0120	A	10	10.39 (.409)	16.64 (.655)				
517-158220-0120	158220-0120	A	20	20.39 (.803)	26.64 (1.049)				
517-158226-0120	158226-0120	A	26	26.39 (1.039)	32.64 (1.285)				
517-158234-0120	158234-0120	A	34	34.39 (1.354)	40.64 (1.600)				
517-158250-0120	158250-0120	A	50	50.39 (1.984)	56.64 (2.230)				
Strain Relief									
517-3448-15808	3448-15808	-	8	-	-				
517-3448-15810	3448-15810	-	10	-	-				
517-3448-15820	3448-15820	-	20	-	-				
517-3448-15826	3448-15826	-	26	-	-				
517-3448-15834	3448-15834	-	34	-	-				
517-3448-15850	3448-15850	-	50	-	-				
Vertical Thru Hole Headers									
517-159108-6012	159108-6012	B	8	8.35 (.329)	-				
517-159110-6012	159110-6012	B	10	12.35 (.486)	-				
517-159120-6002	159120-6002	C	20	22.35 (.880)	-				
517-159126-6002	159126-6002	C	26	28.35 (1.116)	-				
517-159134-6002	159134-6002	C	34	36.35 (1.431)	-				
517-159150-6002	159150-6002	C	50	52.35 (2.061)	-				
Right Angle Thru Hole Headers									
517-159108-5012	159108-5012	D	8	8.35 (.329)	-				
517-159110-5012	159110-5012	D	10	12.35 (.486)	-				
517-159120-5002	159120-5002	E	20	22.35 (.880)	-				
517-159126-5002	159126-5002	E	26	28.35 (1.116)	-				
517-159134-5002	159134-5002	E	34	36.35 (1.431)	-				
517-159150-5002	159150-5002	E	50	52.35 (2.061)	-				
Vertical SMT Headers									
517-159108-2012	159108-2012	F	8	8.35 (.329)	-				
517-159110-2012	159110-2012	F	10	12.35 (.486)	-				
517-159120-2002	159120-2002	G	20	22.35 (.880)	-				
517-159126-2002	159126-2002	G	26	28.35 (1.116)	-				
517-159134-2002	159134-2002	G	34	36.35 (1.431)	-				
517-159150-2002	159150-2002	G	50	52.35 (2.061)	-				

15XX 2MM X 2MM HEADERS AND SOCKETS



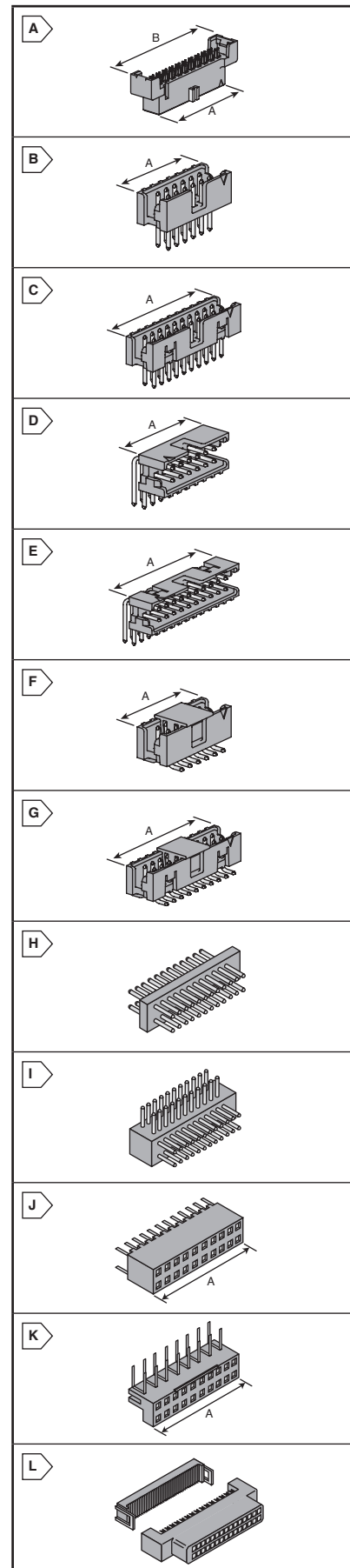
For quantities greater than listed, call for quote.

MOUSER STOCK NO.	3M Part No.	Fig.	No. of Positions	Pin Length (in.)	Price Each			
					1	25	50	100
Straight Header								
517-151210-8322-RB	151210-8322-RB	H	10	.130				
517-151212-8322-RB	151212-8322-RB	H	12	.130				
517-151220-8322-RB	151220-8322-RB	H	20	.130				
517-151226-8322-RB	151226-8322-RB	H	26	.130				
517-151240-8322-RB	151240-8322-RB	H	40	.130				
517-151250-8322-RB	151250-8322-RB	H	50	.130				
Right Angle Header								
517-151210-7422-RB	151210-7422-RB	I	10	.152				
517-151220-7422-RB	151220-7422-RB	I	20	.152				
517-151230-7422-RB	151230-7422-RB	I	30	.152				
517-151240-7422-RB	151240-7422-RB	I	40	.152				
517-151250-7422-RB	151250-7422-RB	I	50	.152				
Straight Socket								
517-150210-6002-RB	150210-6002-RB	J	10	.389 (9.83)				
517-150220-6002-RB	150220-6002-RB	J	20	.782 (19.86)				
517-150226-6002-RB	150226-6002-RB	J	26	1.019 (25.83)				
517-150230-6002-RB	150230-6002-RB	J	30	1.176 (29.87)				
517-150240-6002-RB	150240-6002-RB	J	40	1.57 (39.88)				
517-150244-6002-RB	150244-6002-RB	J	44	1.727 (43.87)				
517-150250-6002-RB	150250-6002-RB	J	50	1.964 (49.89)				
Right Angle Socket								
517-150210-5002-RB	150210-5002-RB	K	10	.389 (9.83)				
517-150220-5002-RB	150220-5002-RB	K	20	.782 (19.86)				
517-150240-5002-RB	150240-5002-RB	K	40	1.57 (39.88)				
517-150244-5002-RB	150244-5002-RB	K	44	1.727 (43.87)				

IDC Socket 1mm Pitch Cable

For quantities greater than listed, call for quote.

MOUSER STOCK NO.	3M Part No.	Fig.	No. of Positions	Assem. Height w/o Strain Relief mm (in.)	Price Each			
					1	25	50	100
517-152210-0100	152210-0100-GB	L	10	7.4 (0.290)				
517-152212-0100	152212-0100-GB	L	12	7.4 (0.290)				
517-152220-0100	152220-0100-GB	L	20	7.4 (0.290)				
517-152226-0100	152226-0100-GB	L	26	7.4 (0.290)				
517-152240-0100	152240-0100-GB	L	40	7.4 (0.290)				
517-152244-0100	152244-0100-GB	L	44	7.4 (0.290)				
517-152250-0100	152250-0100-GB	L	50	7.4 (0.290)				

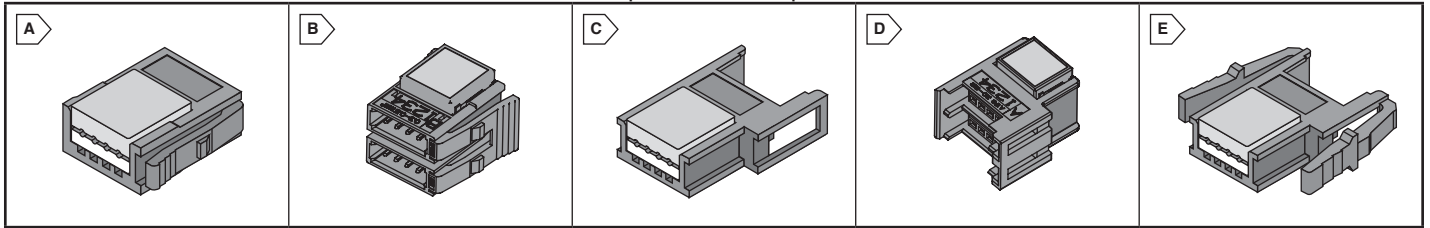


Rectangular Connectors 3M

3M™ Mini-Clamp Connectors



RoHS Compliant This product is RoHS compliant.



2.00MM IDC WIREMOUNT MINI-CLAMP CONNECTORS



Mini-Clamp I

Specifications:

- Flammability: UL94V-0
- Body Color: Black
- Contact Material: Copper Alloy
- Insulation Material: Nylon body, Polycarbonate cover
- Current Rating: 3.0A
- Voltage Rating: 32V
- Temperature Rating: -20°C to 85°C

Features:

- Operation by general tool "pliers" reduces tooling cost
- Latch enables rugged field termination
- RoHS Compliant per 3M documentation
- Designed to accommodate typical wiring specifications per Japanese and Asian Suppliers

For quantities greater than listed, call for quote.

MOUSER STOCK NO.	3M Part No.	Fig.	No. of Positions	Wire AWG	Cover Color	Wire Insulation OD (mm)	Price Each			
							1	10	25	50
Plug Connectors										
517-37103-2165-000-1	37103-2165-000 FL 100	A	3	20-22	Blue	1.2 ~ 1.6				
517-37103-2206-000-1	37103-2206-000 FL 100	A	3	20-22	Gray	1.6 ~ 2.0				
517-37103-3101-000-1	37103-3101-000 FL 100	A	3	24-26	Red	0.8 ~ 1.0				
517-37103-3122-000-1	37103-3122-000 FL 100	A	3	24-26	Yellow	1.0 ~ 1.2				
517-37104-2124-000-1	37104-2124-000 FL 100	A	4	20-22	Green	1.0 ~ 1.2				
517-37104-2165-000-1	37104-2165-000 FL 100	A	4	20-22	Blue	1.2 ~ 1.6				
517-37104-2206-000-1	37104-2206-000 FL 100	A	4	20-22	Gray	1.6 ~ 2.0				
517-37104-3101-000-1	37104-3101-000 FL 100	A	4	24-26	Red	0.8 ~ 1.0				
517-37104-3122-000-1	37104-3122-000 FL 100	A	4	24-26	Yellow	1.0 ~ 1.2				
517-37104-3163-000-1	37104-3163-000 FL 100	A	4	24-26	Orange	1.2 ~ 1.6				
517-37106-2165-0W0FL	37106-2165-0W0 FL	B	6	20-22	Blue	1.2 ~ 1.6				
517-37106-3101-0W0FL	37106-3101-0W0 FL	B	6	24-26	Red	0.8 ~ 1.0				
517-37106-3122-0W0FL	37106-3122-0W0 FL	B	6	24-26	Yellow	1.0 ~ 1.2				
517-37108-2124-0W0FL	37108-2124-0W0 FL	B	8	20-22	Green	1.0 ~ 1.2				
517-37108-2165-0W0FL	37108-2165-0W0 FL	B	8	20-22	Blue	1.2 ~ 1.6				
517-37108-3122-0W0FL	37108-3122-0W0 FL	B	8	24-26	Yellow	1.0 ~ 1.2				
Socket Connectors Without Latches										
517-37303-2165-000-1	37303-2165-000 FL 100	C	3	20-22	Blue	1.2 ~ 1.6				
517-37303-2206-000-1	37303-2206-000 FL 100	C	3	20-22	Gray	1.6 ~ 2.0				
517-37303-3101-000-1	37303-3101-000 FL 100	C	3	24-26	Red	0.8 ~ 1.0				
517-37304-2124-000-1	37304-2124-000 FL 100	C	4	20-22	Green	1.0 ~ 1.2				
517-37304-2206-000-1	37304-2206-000 FL 100	C	4	20-22	Gray	1.6 ~ 2.0				
517-37304-3101-000-1	37304-3101-000 FL 100	C	4	24-26	Red	0.8 ~ 1.0				
517-37304-3122-000-1	37304-3122-000 FL 100	C	4	24-26	Yellow	1.0 ~ 1.2				
517-37304-3163-000-1	37304-3163-000 FL 100	C	4	24-26	Orange	1.2 ~ 1.6				
517-37306-2124-0W0FL	37306-2124-0W0 FL	D	6	20-22	Green	1.0 ~ 1.2				
517-37306-3101-0W0FL	37306-3101-0W0 FL	D	6	24-26	Red	0.8 ~ 1.0				
517-37306-3122-0W0FL	37306-3122-0W0 FL	D	6	24-26	Yellow	1.0 ~ 1.2				
517-37308-3163-0W0FL	37308-3163-0W0 FL	D	8	24-26	Orange	1.2 ~ 1.6				
Socket Connectors With Latches										
517-37304-2165-0P0-1	37304-2165-0P0 FL 100	E	4	20-22	Blue	1.2 ~ 1.6				

3M Rectangular Connectors

Mini-Clamp II

Specifications:

- Flammability: UL94V-0
- Body Color: Black
- Contact Material: Copper Alloy
- Insulation Material: Nylon body, Polycarbonate cover
- Current Rating: 3.0A
- Voltage Rating: 32V
- Temperature Rating: -20°C to 85°C

Features:

- Designed to accommodate typical wiring specifications per Europe and North America Suppliers
- No special tooling needed
- RoHS Compliant per 3M documentation

For quantities greater than listed, call for quote.

MOUSER STOCK NO.	3M Part No.	Fig.	No. of Positions	Wire AWG	Cover Color	Wire Insulation OD (mm)	Price Each			
							1	10	25	50
Plug Connectors										
517-37103-A165-00EMB	37103-A165-00E MB	A	3	20-24	Blue	1.2 ~ 1.6				
517-37103-A206-00EMB	37103-A206-00E MB	A	3	20-24	Gray	1.6 ~ 2.0				
517-37103-B122-00EMB	37103-B122-00E MB	A	3	24-26	Yellow	1.0 ~ 1.2				
517-37104-A165-00EMB	37104-A165-00E MB	A	4	20-24	Blue	1.2 ~ 1.6				
517-37104-A206-00EMB	37104-A206-00E MB	A	4	20-24	Gray	1.6 ~ 2.0				
517-37104-B101-00EMB	37104-B101-00E MB	A	4	24-26	Red	0.8 ~ 1.0				
517-37104-B122-00EMB	37104-B122-00E MB	A	4	24-26	Yellow	1.0 ~ 1.2				
517-37104-B163-00EMB	37104-B163-00E MB	A	4	24-26	Orange	1.2 ~ 1.6				
Socket Connectors Without Latches										
517-37303-A165-00EMB	37303-A165-00E MB	C	3	20-24	Blue	1.2 ~ 1.6				
517-37303-B122-00EMB	37303-B122-00E MB	C	3	24-26	Yellow	1.0 ~ 1.2				
517-37303-B163-00EMB	37303-B163-00E MB	C	3	24-26	Orange	1.2 ~ 1.6				
517-37304-A165-00EMB	37304-A165-00E MB	C	4	20-24	Blue	1.2 ~ 1.6				
517-37304-A206-00EMB	37304-A206-00E MB	C	4	20-24	Gray	1.6 ~ 2.0				
517-37304-B101-00EMB	37304-B101-00E MB	C	4	24-26	Red	0.8 ~ 1.0				
517-37304-B163-00EMB	37304-B163-00E MB	C	4	24-26	Orange	1.2 ~ 1.6				
Socket Connectors With Latches										
517-37303-A165-0PEMB	37303-A165-0PE MB	D	3	20-24	Blue	1.2 ~ 1.6				
517-37304-B163-0PEMB	37304-B163-0PE MB	D	4	24-26	Orange	1.2 ~ 1.6				

AVX I/O and FFC Connectors



This product is RoHS compliant.



9157 SERIES I/O CONNECTORS

Features:

- Patented 20° angled face on socket gives self-cleaning face when mated with plug
- Metal Latching area integral to socket which saves PCB real estate
- Integral to socket is a mechanical 50Ω switching coax SMT termination

Specifications:

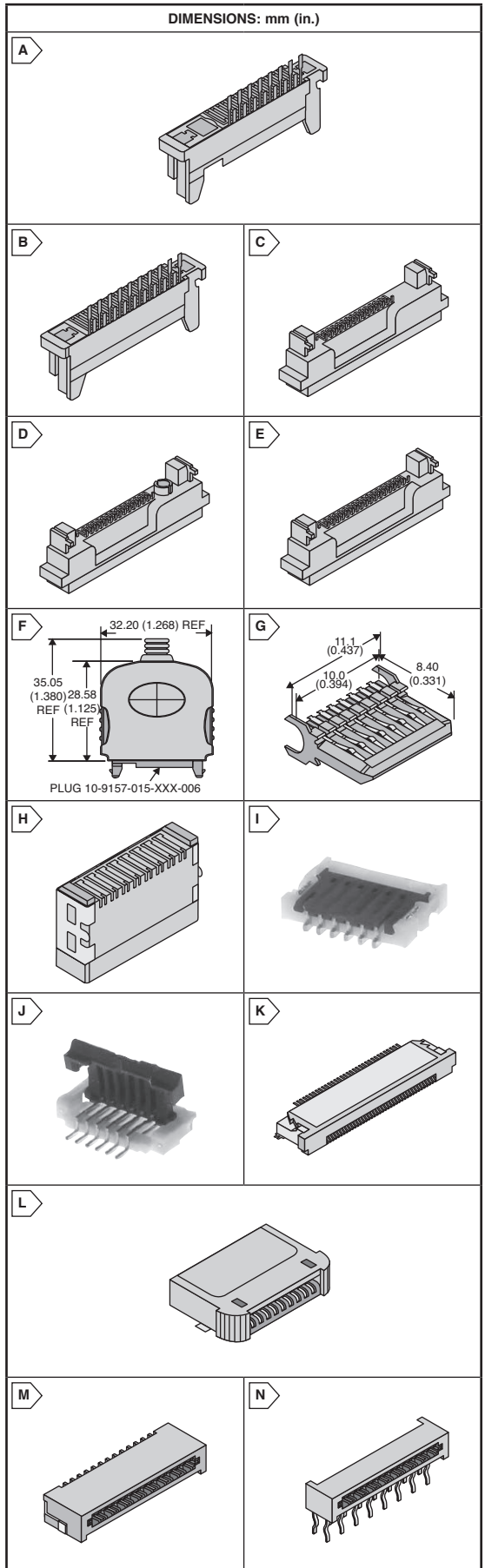
- 15 signal contacts on 1mm pitch rated at 1.5A
- RoHS compliant per AVX documentation



RoHS Compliant

For quantities greater than listed, call for quote.

MOUSER STOCK NO.	AVX Part No.	Fig.	Description	Price Each			
				1	10	25	50
581-109157015000006	109157015000006	A	15P Plug Solder Wire				
581-109157019000006	109157019000006	B	19P Plug Solder Wire				
581-209157015000006	209157015000006	C	15P Socket, 90° SMT				
581-209157015001006	209157015001006	D	15P Socket, 90° SMT with RF contact				
581-209157019000006	209157019000006	E	19P Socket, 90° SMT				
581-309157970000035	309157970000035	F	Cover Kit Screw with Press-fit Version				



9257 SERIES REDUCED SIZE I/O CONNECTORS

Features:

- No latching is required due to click design of contacts
- Compact size to optimize PCB real estate
- Metal outer cover provides integrated PCB location and solder tab

Specifications:

- 5K mating cycles and 1A rated
- Socket houses 16 contacts, 2 rows on 1.25mm pitch
- Socket has rating 1 Amp per contact
- RoHS compliant per AVX documentation



RoHS Compliant

For quantities greater than listed, call for quote.

MOUSER STOCK NO.	AVX Part No.	Fig.	Description	Price Each			
				1	10	25	50
581-109257016001003	109257016001003	G	Plug 16 Way Dual Sided				
581-209257016001013	209257016001013	H	Socket 16 Way				

FFC SMT CONNECTORS

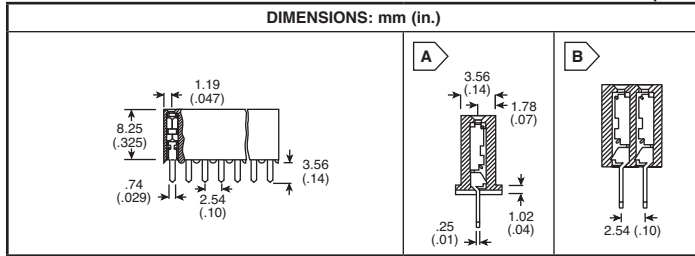
For quantities greater than listed, call for quote.

MOUSER STOCK NO.	AVX Part No.	Fig.	No. of Contacts	Profile Height (mm)	Contact Location	Price Each				
						1	25	50	100	
.5mm - ZIF Right Angle										
581-046277003001883+	046277003001883+	I	3	0.9	Dual Side					
581-046277004001883+	046277004001883+	I	4	0.9	Dual Side					
581-046298004000883+	046298004000883+	J	4	0.9	Bottom					
581-046277005001883+	046277005001883+	I	5	0.9	Dual Side					
581-046298005000883+	046298005000883+	J	5	0.9	Bottom					
581-046277006001883+	046277006001883+	I	6	0.9	Dual Side					
581-046298006000883+	046298006000883+	J	6	0.9	Bottom					
581-046298008100883+	046298008100883+	J	8	0.9	Bottom					
581-046288008000846+	046288008000846+	K	8	2.0	Bottom					
581-046298009100883+	046298009100883+	J	9	0.9	Bottom					
581-046288010000846+	046288010000846+	K	10	2.0	Bottom					
581-04629801100883+	04629801100883+	J	11	0.9	Bottom					
581-046288012000846+	046288012000846+	K	12	2.0	Bottom					
581-046288015000846+	046288015000846+	K	15	2.0	Bottom					
581-046288016000846+	046288016000846+	K	16	2.0	Bottom					
581-046288020000846+	046288020000846+	K	20	2.0	Bottom					
581-046288024000846+	046288024000846+	K	24	2.0	Bottom					
581-046288026000846+	046288026000846+	K	26	2.0	Bottom					
581-046288030000846+	046288030000846+	K	30	2.0	Bottom					
581-086210033340800+	086210033340800+	K	33	2.0	Bottom					
581-046288040000846+	046288040000846+	K	40	2.0	Bottom					
581-046288050000846+	046288050000846+	K	50	2.0	Bottom					
581-046240054005800+	046240054005800+	K	54	2.0	Bottom					
581-046288055000846+	046288055000846+	K	55	2.0	Bottom					
581-046288060000846+	046288060000846+	K	60	2.0	Bottom					
1.0mm - ZIF Right Angle										
581-006200509130000+	006200509130000+	L	9	2.9	Bottom					
1.25mm - LIF Right Angle										
581-006207341914000+	006207341914000+	M	14	3.5	Dual Side					
581-08370167000800	008370167000800	N	16	4.2	Dual Side					

FCI .100" Connectors and Shunts



RoHS Compliant This product is RoHS compliant.



.100" VERTICAL PCB MOUNTED RECEPTACLE ASSEMBLIES, THRU-MOUNT

Features:

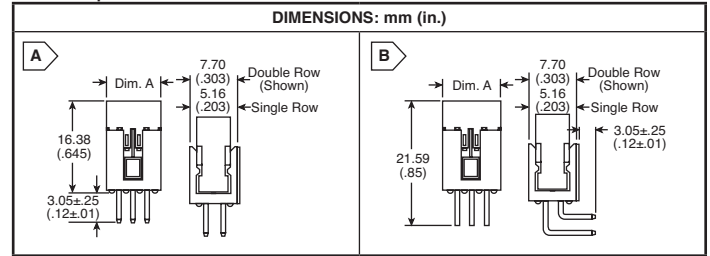
- Designed for parallel board-to-board stacking on .100" x .100" (2.54mm x 2.54mm) centerlines
- Dual metal PV brass contacts duplex plated with 30µ" gold in contact area, 100µ" tin in solder area, and 50µ" nickel underplated overall
- Beryllium copper thermoplastic polyester housings, rated UL94V-0
- Spring member plated with gold flash
- Mate with .025" (0.64mm) square or round pins
- Tail Material: Tin
- RoHS compliant per FCI documentation
- Thru mount



For quantities greater than listed, call for quote.

MOUSER STOCK NO.	FCI Part No.	Fig.	No. of Pos.	Length mm (In.)	Price Each			
					1	25	100	250
Single Row .140" (3.56mm) Long Solder Tail								
649-66951-003LF	66951-003LF	A	3	7.62 (.300)				
649-66951-004LF	66951-004LF	A	4	10.16 (.400)				
649-66951-006LF	66951-006LF	A	6	15.24 (.600)				
649-66951-007LF	66951-007LF	A	7	17.78 (.700)				
649-66951-008LF	66951-008LF	A	8	20.32 (.800)				
649-66951-009LF	66951-009LF	A	9	22.86 (.900)				
649-66951-010LF	66951-010LF	A	10	22.86 (1.00)				
649-66951-012LF	66951-012LF	A	12	30.48 (1.20)				
649-66951-013LF	66951-013LF	A	13	33.02 (1.30)				
649-66951-014LF	66951-014LF	A	14	35.56 (1.40)				
649-66951-016LF	66951-016LF	A	16	40.64 (1.60)				
649-66951-018LF	66951-018LF	A	18	45.72 (1.70)				
649-66951-032LF	66951-032LF	A	32	81.28 (3.20)				
649-66951-035LF	66951-035LF	A	35	88.90 (3.50)				
649-66951-036LF	66951-036LF	A	36	91.44 (3.60)				
Double Row .140" (3.56mm) Long Solder Tail								
649-66953-003LF	66953-003LF	B	6	7.62 (.300)				
649-66953-004LF	66953-004LF	B	8	10.16 (.400)				
649-66953-005LF	66953-005LF	B	10	12.7 (.500)				
649-66953-006LF	66953-006LF	B	12	15.24 (.600)				
649-66953-007LF	66953-007LF	B	14	17.78 (.700)				
649-66953-008LF	66953-008LF	B	16	20.32 (.800)				
649-66953-010LF	66953-010LF	B	20	25.4 (1.00)				
649-66953-012LF	66953-012LF	B	24	30.48 (1.20)				
649-66953-013LF	66953-013LF	B	26	33.02 (1.30)				
649-66953-015LF	66953-015LF	B	30	38.1 (1.50)				
649-66953-016LF	66953-016LF	B	32	40.64 (1.60)				
649-66953-017LF	66953-017LF	B	34	43.18 (1.70)				
649-66953-020LF	66953-020LF	B	40	50.8 (2.00)				
649-66953-025LF	66953-025LF	B	50	63.5 (2.50)				
649-66953-030LF	66953-030LF	B	60	76.2 (3.00)				

FCI Rectangular Connectors



VERTICAL LATCHING SYSTEM (2.54MM X 2.54MM / .100" X .100") CENTERLINES

Features:

- Mates to Mini-PV™ receptacles and drawn-wire pins for high reliability
- Single and double row configurations occupy minimal real estate
- RoHS compliant per FCI documentation
- Passive latching
- 0.025" (0.64mm) square pins

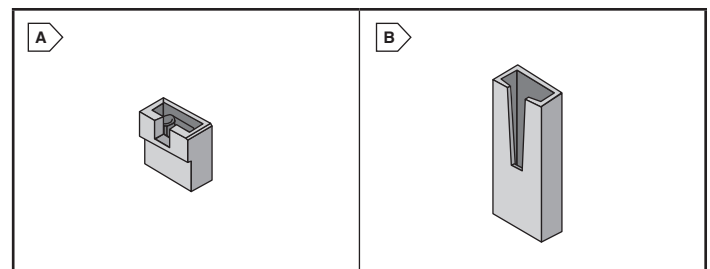
Specifications:

- Material: PCT (UL94V-0)
- Plating: 0.76µ" (30µ") gold over 1.27µ" (50µ") nickel
- Color: Black



For quantities greater than listed, call for quote.

MOUSER STOCK NO.	FCI Part No.	Fig.	No. of Pos.	Dimension A mm (in.)	Price Each			
					1	25	100	250
Straight Header: Single Row								
649-69167-103HLF	69167-103HLF	A	3	7.62 (0.30)				
649-69167-104HLF	69167-104HLF	A	4	10.16 (0.40)				
649-69167-105HLF	69167-105HLF	A	5	12.70 (0.50)				
649-69167-106HLF	69167-106HLF	A	6	15.24 (0.60)				
649-69167-108HLF	69167-108HLF	A	8	20.32 (0.80)				
Straight Header: Double Row								
649-69168-110HLF	69168-110HLF	A	10	12.70 (0.50)				
649-69168-112HLF	69168-112HLF	A	12	15.24 (0.60)				
Right Angle: Single Row								
649-78208-103HLF	78208-103HLF	B	3	7.62 (0.30)				
649-78208-104HLF	78208-104HLF	B	4	10.16 (0.40)				
649-78208-105HLF	78208-105HLF	B	5	12.70 (0.50)				
649-78208-106HLF	78208-106HLF	B	6	15.24 (0.60)				
Right Angle: Double Row								
649-78207-108HLF	78207-108HLF	B	8	10.16 (0.40)				
649-78207-110HLF	78207-110HLF	B	10	12.70 (0.50)				
649-78207-112HLF	78207-112HLF	B	12	15.24 (0.60)				
649-78207-116HLF	78207-116HLF	B	16	20.32 (0.80)				



LOW-PROFILE SHUNT JUMPER SYSTEM

Features:

- Economical, stackable jumper systems are applicable for bussing, programming and switch replacement
- Standard two-position for .100" centers
- Low-profile shunt stands .200" above PC board
- Dual-beam, phosphor-bronze contacts, and black glass-filled thermoplastic polyester housing, rated UL94V-0
- Shunts mate with .025" (0.64mm) square and round pins
- RoHS compliant per FCI documentation

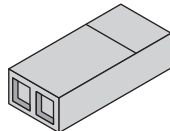
For quantities greater than listed, call for quote.

MOUSER STOCK NO.	FCI Part No.	Fig.	Plating	Price Each			
				1	100	500	1000
Low Profile							
649-68786-102LF	68786-102LF	A	15µ" gold				
649-68786-202LF	68786-202LF	A	30µ" gold				
649-68786-302LF	68786-302LF	A	100µ" pure tin				
High Body							
649-71363-102LF	71363-102LF	B	15µ" gold				
649-71363-202LF	71363-202LF	B	30µ" gold				
649-71363-302LF	71363-302LF	B	100µ" pure tin				

SYSTEM MINI JUMP SHUNTS

Features:

- 1 Row: 2 Positions
- Reliable cost-effective alternatives to switches for on-board programming
- PV contacts have beryllium-copper springs to provide high retention and normal forces for excellent electrical performance after repeated cycle
- Stackable on 2.54mm (0.100") centers
- Closed top protects fingertips during application, but can be opened for inspection and testing
- Mates with .025" (0.64mm) square or round pins



Specifications:

- Housing: Thermoplastic polyester UL94V-0, Blue
- Contact: Body Material: Brass Spring Material: Beryllium-copper
- Current rating: 3A max. per contact
- Temperature rating: -55°C to +120°C
- RoHS compliant per FCI documentation



For quantities greater than listed, call for quote.

MOUSER STOCK NO.	FCI Part No.	Plating	Color	Price Each			
				1	100	500	1000
649-65474-001LF	65474-001LF	15µ" Au	White				
649-65474-002LF	65474-002LF	100µ" tin	White				
649-65474-010LF	65474-010LF	30µ" Au	White				
649-65474-004LF	65474-004LF	Au flash	White				
649-63429-202LF	63429-202LF	30µ" Au	Blue				

FCI .100"x .100" (2.54mm x 2.54mm) Connectors



This product is RoHS compliant.

QUICKIE™ IDC 4-WALL VERTICAL THRU MOUNT HEADERS

- Color: Black
- Temperature range: -65°C to +125°C
- Tail length: 3.05mm (0.120")
- Current rating: 3A continuous

Vertical Slimline Shrouded Headers

- Housing material: Glass-filled thermoplastic polyester
- Housing style: Low-profile
- Insulation resistance: 10,000MΩ
- RoHS compliant per FCI documentation



RoHS Compliant

For quantities greater than listed, call for quote.

MOUSER STOCK NO.	FCI Part No.	Fig.	No. of Pos.	Polarization Style	Withstand Voltage (VAC rms)	Contact Area Plating (0.76µm (30µ")	Price Each			
							1	25	100	250
* 649-66506-001LF	66506-001LF	A	10	1	500	Gold				
* 649-66506-066LF	66506-066LF	A	10	1	500	GXT				
649-66506-119LF	66506-119LF	A	10	3	500	GXT				
* 649-66506-038LF	66506-038LF	A	14	2	500	Gold				
649-66506-043LF	66506-043LF	A	16	4	500	Gold				
649-66506-008LF	66506-008LF	A	20	4	500	Gold				
649-66506-031LF	66506-031LF	A	50	4	500	Gold				

*Tail Length: 2.67mm (0.105")

Straight Eject Latch Headers

- Board thickness: 2.36mm (0.093")
- Tail plating: 2.54µm (100µ") Tin
- Housing material: High temperature thermoplastic
- Mating data: All Quickie™ receptacles, select discrete wiring mini-latch housings
- Insulation resistance: 10,000MΩ min.
- RoHS compliant per FCI documentation



RoHS Compliant

For quantities greater than listed, call for quote.

MOUSER STOCK NO.	FCI Part No.	Fig.	No. of Pos.	Header Style	Withstand Voltage (VAC rms)	Contact Area Plating (0.38µm (15µ")	Price Each			
							1	25	100	250
649-53611-S10-4LF	53611-S10-4LF	B	10	1	1500 min.	Gold				
649-53611-S14-4LF	53611-S14-4LF	B	14	2	1500 min.	Gold				
649-53611-S20-4LF	53611-S20-4LF	B	20	3	1500 min.	Gold				
649-53611-S26-4LF	53611-S26-4LF	B	26	3	1500 min.	Gold				

QUICKIE™ SHROUDED LOW PROFILE HEADERS

- Recessed pins assure proper alignment and eliminate damage during mating
- End windows for latching with IDC receptacle
- Housing material: Glass-filled thermoplastic polyester
- Current rating: 3A continuous
- Insulation resistance: 10,000MΩ
- Dielectric withstanding voltage: 500V min
- Temperature range: -65°C to +125°C
- Contact Area Plating: 0.76µm (30µ")
- Tail Area Plating: 3.81µm (150µ")
- RoHS compliant per FCI documentation



RoHS Compliant

For quantities greater than listed, call for quote.

MOUSER STOCK NO.	FCI Part No.	Fig.	No. of Pos.	Contact Area Plating	Tail Area Plating	Withstand Voltage (VAC rms)	Price Each			
							1	25	100	250
649-75869-130LF	75869-130LF	C	4	Gold	Tin	500				
649-75869-131LF	75869-131LF	C	6	Gold	Tin	500				
649-75869-132LF	75869-132LF	C	8	Gold	Tin	500				
649-75869-103LF	75869-103LF	C	16	Gold	Tin	500				
649-75869-101LF	75869-101LF	C	20	Gold	Tin	500				
649-75869-104LF	75869-104LF	C	20	Gold	Tin	500				

Right Angle Through Mount Headers

- RoHS compliant per FCI documentation

For quantities greater than listed, call for quote.

MOUSER STOCK NO.	FCI Part No.	Fig.	No. of Pos.	Contact Area Plating	Tail Area Plating	Withstand Voltage (VAC rms)	Price Each			
							1	25	100	250
649-75867-131LF	75867-131LF	C	8	Gold	Tin	500				
649-75867-132LF	75867-132LF	C	6	Gold	Tin	500				
649-75867-101LF	75867-101LF	C	10	Gold	Tin	500				
649-75867-103LF	75867-103LF	C	16	Gold	Tin	500				
649-75867-104LF	75867-104LF	C	20	Gold	Tin	500				

QUICKIE™ "EYE OF NEEDLE" HEADERS

- Housings: Glass filled polyester, blue. UL94V-0
- Contact base metal: Phosphor-bronze
- Contact finish: 0.76µm (30µ") gold or GXT over 1.27µm (50µ") nickel
- Temperature range: -65°C to +125°C
- RoHS Compliant per FCI documentation
- Current rating: 3A continuous
- Withstanding voltage: >1,000V RMS (at sea level)
- Insulation resistance: 1,000MΩ
- Mates with Quickie® IDC series 71600



RoHS Compliant

For quantities greater than listed, call for quote.

MOUSER STOCK NO.		Fig.	No. of Pos.	Orientation	Strain Relief	Mounting Type	Price Each				
Mfr.	Mfr. Part No.						1	25	100	250	
Low Profile Headers											
649	10073456-001LF	D	10	Vertical	No	Thru-Hole					
649	10073456-019LF	D	20	Vertical	No	Thru-Hole					
649	10073456-038LF	D	30	Vertical	No	Thru-Hole					
649	10073456-049LF	D	40	Vertical	No	Thru-Hole					
Eject Latch Headers											
649	10080054-007LF	E	10	Vertical	No	Thru-Hole					
649	10080054-043LF	E	14	Vertical	No	Thru-Hole					
649	10080054-079LF	E	20	Vertical	No	Thru-Hole					
649	10080054-115LF	E	26	Vertical	No	Thru-Hole					

© Copyright 2014 Mouser Electronics

A

Polarization Styles:

B

Header Styles:

C

Vertical

Right Angle

D

E

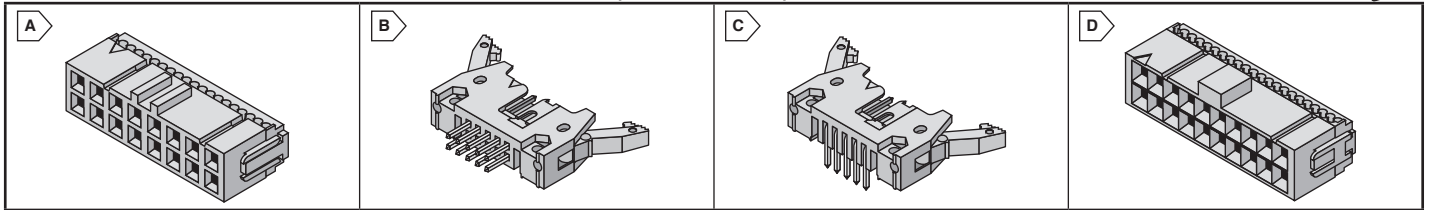
Rectangular Connectors FCI

© Copyright 2014 Mouser Electronics

FCI Quickie™ Connectors and Headers



RoHS Compliant This product is RoHS compliant.



QUICKIE™ IDC SINGLE BEAM RECEPTACLES

- Contact area plating: 0.76µm (30µ") gold
- Color: Gray
- Current rating: 1A continuous
- Housing Material: Glass-filled thermoplastic polyester
- Withstanding voltage: 1000VAC rms

Dual Cable Entry Specifications:

- Cable entry: Dual
- RoHS Compliant per FCI documentation
- Contact base material: Copper alloy
- Insulation resistance: 50,000MΩ
- Contact underplating: 1.27µm (50µ") nickel
- Contact resistance: 15mΩ max.
- Temperature range: -65°C to +105°C



RoHS Compliant

MOUSER STOCK NO.	FCI Part No.	Fig.	No. of Positions	Polarization Style	Strain Relief	Central Key	Price Each			
							1	25	100	250
649-71600-004LF	71600-004LF	A	4	Center	Yes	Yes				
649-71600-104LF	71600-104LF	A	4	Center	No	Yes				
649-71600-006LF	71600-006LF	A	6	Center	Yes	Yes				
649-71600-106LF	71600-106LF	A	6	Center	No	Yes				
649-71600-306LF	71600-306LF	A	6	Dual	Yes	No				
649-71600-106LF	71600-106LF	A	6	Center	No	Yes				
649-71600-008LF	71600-008LF	A	8	Center	Yes	Yes				
649-71600-108LF	71600-108LF	A	8	Center	No	Yes				
649-71600-308LF	71600-308LF	A	8	Dual	Yes	No				
649-71600-010LF	71600-010LF	A	10	Center	Yes	Yes				
649-71600-310LF	71600-310LF	A	10	Dual	Yes	No				
649-71600-014LF	71600-014LF	A	14	Center	Yes	Yes				
649-71600-314LF	71600-314LF	A	14	Dual	Yes	No				
649-71600-016LF	71600-016LF	A	16	Center	Yes	Yes				
649-71600-116LF	71600-116LF	A	16	Center and Dual	No	Yes				
649-71600-020LF	71600-020LF	A	20	Center	Yes	Yes				
649-71600-220LF	71600-220LF	A	20	Center and Dual	Yes	Yes				
649-71600-026LF	71600-026LF	A	26	Center	Yes	Yes				
649-71600-034LF	71600-034LF	A	34	Center	Yes	Yes				
649-71600-040LF	71600-040LF	A	40	Center	Yes	Yes				
649-71600-640LF	71600-640LF	A	40	Center and Dual	Yes	Yes				
649-71600-050LF	71600-050LF	A	50	Center	Yes	Yes				
649-71600-650LF	71600-650LF	A	50	Center and Dual	Yes	Yes				
649-71600-060LF	71600-060LF	A	60	Center	Yes	Yes				
649-71600-064LF	71600-064LF	A	64	Center	Yes	Yes				

Eject Latch Headers, Standard Polarization

- Tail length: 2.90mm (.114")
- Standard Polarization
- Temperature range: -65°C to +125°C
- RoHS Compliant per FCI documentation
- Tail plating: 3.81µm (150µ") Tin
- Insulation resistance: 100,000MΩ
- Housing style: Eject



For quantities greater than listed, call for quote.

MOUSER STOCK NO.	FCI Part No.	Fig.	No. of Positions	Polarization Style	Strain Relief	Central Key	Price Each			
							1	25	100	250
Vertical Through Mount										
649-71918-106LF	71918-106LF	B	6	Straight	Yes	No				
649-71918-108LF	71918-108LF	B	8	Straight	Yes	No				
649-71918-110LF	71918-110LF	B	10	Straight	Yes	No				
649-71918-114LF	71918-114LF	B	14	Straight	Yes	No				
649-71918-116LF	71918-116LF	B	16	Straight	Yes	Yes				
649-71918-120LF	71918-120LF	B	20	Straight	Yes	Yes				
649-71918-126LF	71918-126LF	B	26	Straight	Yes	Yes				
649-71918-134LF	71918-134LF	B	34	Straight	Yes	Yes				
649-71918-140LF	71918-140LF	B	40	Straight	Yes	Yes				
649-71918-150LF	71918-150LF	B	50	Straight	Yes	Yes				
649-71918-160LF	71918-160LF	B	60	Straight	Yes	Yes				
649-71918-164LF	71918-164LF	B	64	Straight	Yes	Yes				
Right Angle Through Mount										
649-71922-106LF	71922-106LF	C	6	Right Angle	Yes	No				
649-71922-108LF	71922-108LF	C	8	Right Angle	Yes	No				
649-71922-110LF	71922-110LF	C	10	Right Angle	Yes	No				
649-71922-116LF	71922-116LF	C	16	Right Angle	Yes	Yes				
649-71922-120LF	71922-120LF	C	20	Right Angle	Yes	Yes				
649-71922-134LF	71922-134LF	C	34	Right Angle	Yes	Yes				
649-71922-140LF	71922-140LF	C	40	Right Angle	Yes	Yes				
649-71922-150LF	71922-150LF	C	50	Right Angle	Yes	Yes				

QUICKIE™ IDC DUAL-BEAM RECEPTACLES

Round Conductor, Flat Cable IDC Connectors

- Housing material: Glass-filled thermoplastic polyester
- Contact area plating: 0.76µm (30µ") Gold
- Color: Blue
- Withstand Voltage (VAC): 1000
- Insulation resistance: 50,000MΩ
- Current rating: 1A continuous
- Temperature range: -65°C to +105°C
- Contact resistance: 15mΩ max.
- Mating data: Mates with 0.64mm (0.025") square or round pin from 4.32mm (0.170") min. to 6.35mm (0.25") max. A nominal 5.84mm (0.23") is recommended
- Dual wire entry
- Double-scalloped cable slot assists accurate positioning of the cable over the contacts
- RoHS compliant per FCI documentation



RoHS Compliant

MOUSER STOCK NO.	FCI Part No.	Fig.	No. of Positions	Polarization Style	Strain Relief	Price Each				
						1	25	100	250	
649-66900-310LF	66900-310LF	D	10	Center	No					
649-66900-214LF	66900-214LF	D	14	Center	Yes					
649-66900-220LF	66900-220LF	D	20	Center and Dual	Yes					
649-66900-026LF	66900-026LF	D	26	Dual	Yes					
649-66900-226LF	66900-226LF	D	26	Center and Dual	Yes					
649-66900-234LF	66900-234LF	D	34	Center and Dual	Yes					
649-66900-040LF	66900-040LF	D	40	Dual	Yes					
649-66900-240LF	66900-240LF	D	40	Center and Dual	Yes					
649-66900-250LF	66900-250LF	D	50	Center and Dual	Yes					

FCI Rectangular Connectors

FCI .100" Dubox™ Connectors



RoHS Compliant This product is RoHS compliant.



VERTICAL PCB MOUNTED RECEPTACLE ASSEMBLIES LOW PROFILE, THRU-MOUNT

- Top entry PC board mount receptacles can be stacked side-by-side on .100" centerlines
- Preloaded dual cantilever beam phosphor bronze contacts plated with 30µm gold in contact area
- 100µm tin in solder area and 50µm nickel underplated overall
- Molded housings: Rated UL94V-0, feature beveled "lead-in" ramps to prevent pin-stubbing
- Solder tail length: .115"
- Mate with .025" square pins

For quantities greater than listed, call for quote.

MOUSER STOCK NO.	FCI Part No.	Fig.	No. of Positions	Price Each			
				1	25	100	250
Top-Entry, Single Row, Black							
649-68685-306LF	68685-306LF	A	6				
649-68685-308LF	68685-308LF	A	8				
649-68685-310LF	68685-310LF	A	10				
649-68685-314LF	68685-314LF	A	14				
649-68685-316LF	68685-316LF	A	16				
649-68685-317LF	68685-317LF	A	17				
649-68685-320LF	68685-320LF	A	20				
Top-Entry, Single Row, Blue							
649-75915-306LF	75915-306LF	A	6				
649-75915-308LF	75915-308LF	A	8				
649-75915-310LF	75915-310LF	A	10				
649-75915-312LF	75915-312LF	A	12				
649-75915-320LF	75915-320LF	A	20				
Top-Entry, Double Row, Black							
649-68683-303LF	68683-303LF	B	6				
649-68683-304LF	68683-304LF	B	8				
649-68683-305LF	68683-305LF	B	10				
649-68683-307LF	68683-307LF	B	14				
649-68683-308LF	68683-308LF	B	16				
649-68683-310LF	68683-310LF	B	20				
649-68683-311LF	68683-311LF	B	22				
649-68683-313LF	68683-313LF	B	26				
649-68683-315LF	68683-315LF	B	30				
649-68683-318LF	68683-318LF	B	36				
649-68683-320LF	68683-320LF	B	40				
649-68683-322LF	68683-322LF	B	44				
649-68683-325LF	68683-325LF	B	50				
649-68683-326LF	68683-326LF	B	52				
649-68683-332LF	68683-332LF	B	64				
649-68683-334LF	68683-334LF	B	68				
649-68683-340LF	68683-340LF	B	80				
Top-Entry, Double Row, Blue							
649-87606-308LF	87606-308LF	B	16				
Dual Entry, Double Row							
649-71991-306LF	71991-306LF	B	12				
649-71991-308LF	71991-308LF	B	16				
649-71991-313LF	71991-313LF	B	26				
649-71991-315LF	71991-315LF	B	30				
649-71991-320LF	71991-320LF	B	40				

SMT LOW PROFILE RECEPTACLES - DOUBLE ROW

- The Dubox™ contact has a pre-stressed, dual beam design to enable low insertion force
- Floating solder tails self-center on circuit pads and assure coplanarity
- 4-wall contact design for signal protection
- RoHS Compliant per FCI documentation

649-89898-303LF	89898-303LF	C	6				
649-89898-304ALF	89898-304ALF	C	8				
649-89898-305LF	89898-305LF	C	10				
649-89898-306ALF	89898-306ALF	C	12				
649-89898-308ALF	89898-308ALF	C	16				
649-89898-310LF	89898-310LF	C	20				
649-89898-314LF	89898-314LF	C	28				
649-89898-317LF	89898-317LF	C	34				
649-89898-320LF	89898-320LF	C	40				

SHROUDED HEADERS

For quantities greater than listed, call for quote.

Straight - Single Row							
649-76384-302LF	76384-302LF	D	2				
649-76384-303LF	76384-303LF	D	3				
649-76384-304LF	76384-304LF	D	4				
649-76384-305LF	76384-305LF	D	5				
649-76384-306LF	76384-306LF	D	6				
649-76384-308LF	76384-308LF	D	8				
649-76384-310LF	76384-310LF	D	10				
Right Angle - Single Row							
649-76382-303LF	76382-303LF	E	3				
Straight - Double Row							
649-76385-302LF	76385-302LF	F	4				
649-76385-303LF	76385-303LF	F	6				
649-76385-304LF	76385-304LF	F	8				
649-76385-305LF	76385-305LF	F	10				
649-76385-306LF	76385-306LF	F	12				
649-76385-308LF	76385-308LF	F	16				
649-76385-310LF	76385-310LF	F	20				

HOUSINGS

For quantities greater than listed, call for quote.

Single Row							
649-65240-002LF	65240-002LF	G	2				
649-65240-003LF	65240-003LF	G	3				
649-65240-004LF	65240-004LF	G	4				
649-65240-005LF	65240-005LF	G	5				
649-65240-006LF	65240-006LF	G	6				
649-65240-007LF	65240-007LF	G	7				
649-65240-008LF	65240-008LF	G	8				
649-65240-009LF	65240-009LF	G	9				
649-65240-010LF	65240-010LF	G	10				
Double Row							
649-65239-002LF	65239-002LF	H	4				
649-65239-003LF	65239-003LF	H	6				
649-65239-004LF	65239-004LF	H	8				
649-65239-005LF	65239-005LF	H	10				
649-65239-006LF	65239-006LF	H	12				
649-65239-008LF	65239-008LF	H	16				
649-65239-010LF	65239-010LF	H	20				

CONTACTS

For quantities greater than listed, call for quote.

MOUSER STOCK NO.	FCI Part No.	Fig.	Wire AWG	Price Each			
				1	100	500	1000
649-76347-301LF	76347-301LF	-	22-30				
649-76347-311LF	76347-311LF	-	20-22				

TOOL

For quantities greater than listed, call for quote.

MOUSER STOCK NO.	FCI Part No.	Fig.	Wire AWG	Price Each	
				1	5
649-RCY21234	RCY21234	-	Crimp Tool		

DIMENSIONS: mm

A

B

C

D

E

F

G

H

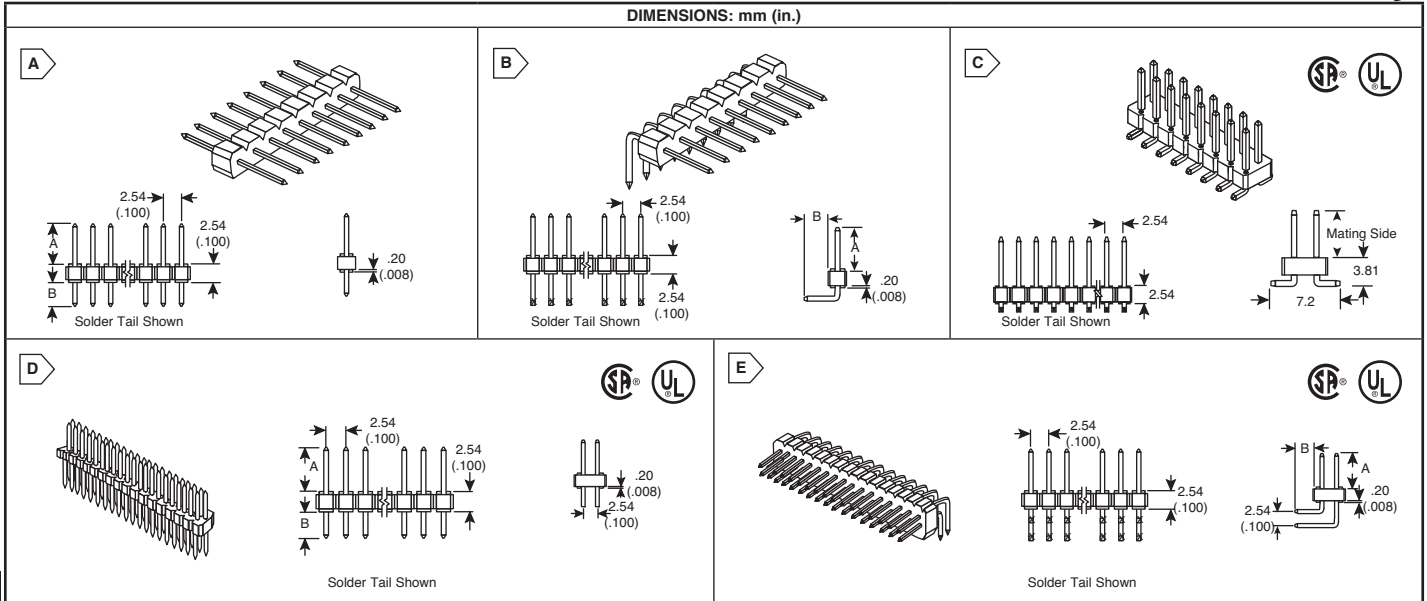
Rectangular Connectors FCI

FCI BergStik™ Unshrouded Breakaway Headers



RoHS Compliant This product is RoHS compliant.

DIMENSIONS: mm (in.)



Features:

- "Breakaway" design can be cut or broken to length to suit application
- Centerline pin spacing: .100"
- Insulation resistance: 5000MΩ min.
- Withstanding voltage: 1500VAC rms (sea level)
- Current rating: 3A continuous
- Temperature range: -65°C to +130°C
- 0.025" (0.64mm) square pins
- Mates with Duxob Connectors
- RoHS compliant per FCI documentation

.100" SINGLE ROW HEADERS

For quantities greater than listed, call for quote.

MOUSER STOCK NO.	FCI Part No.	Fig.	No. of Pos.	Dimensions		Plating	Price Each		
				Mating End A	Tail End B		1	100	500
Straight Solder Tail									
649-68000-101HLF	68000-101HLF	A	1	0.23	0.095	30μ" Gold			
649-68000-402HLF	68000-402HLF	A	2	0.23	0.095	100μ" Tin			
649-68001-102HLF	68001-102HLF	A	2	0.23	0.12	30μ" Gold			
649-68001-202HLF	68001-202HLF	A	2	0.23	0.12	15μ" Gold			
649-68001-402HLF	68001-402HLF	A	2	0.23	0.12	100μ" Tin			
649-68001-403HLF	68001-403HLF	A	3	0.23	0.12	100μ" Tin			
649-68000-103HLF	68000-103HLF	A	3	0.23	0.095	30μ" Gold			
649-68001-103HLF	68001-103HLF	A	3	0.23	0.12	30μ" Gold			
649-68000-203HLF	68000-203HLF	A	3	0.23	0.095	15μ" Gold			
649-68001-203HLF	68001-203HLF	A	3	0.23	0.12	15μ" Gold			
649-68001-104HLF	68001-104HLF	A	4	0.23	0.12	30μ" Gold			
649-68002-404HLF	68002-404HLF	A	4	0.23	0.15	100μ" Tin			
649-68000-105HLF	68000-105HLF	A	5	0.23	0.095	30μ" Gold			
649-68000-106HLF	68000-106HLF	A	6	0.23	0.095	30μ" Gold			
649-68000-406HLF	68000-406HLF	A	6	0.23	0.095	100μ" Tin			
649-68000-109HLF	68000-109HLF	A	9	0.23	0.095	30μ" Gold			
649-68000-136HLF	68000-136HLF	A	36	0.23	0.095	30μ" Gold			
649-68001-136HLF	68001-136HLF	A	36	0.23	0.12	30μ" Gold			
649-68003-136HLF	68003-136HLF	A	36	0.23	0.195	30μ" Gold			
649-68000-236HLF	68000-236HLF	A	36	0.23	0.095	15μ" Gold			
649-68001-236HLF	68001-236HLF	A	36	0.23	0.12	15μ" Gold			
649-68002-236HLF	68002-236HLF	A	36	0.23	0.15	15μ" Gold			
649-78511-236HLF	78511-236HLF	A	36	0.318	0.12	15μ" Gold			
649-68000-436HLF	68000-436HLF	A	36	0.23	0.095	100μ" Tin			
649-68001-436HLF	68001-436HLF	A	36	0.23	0.12	100μ" Tin			
649-78511-436HLF	78511-436HLF	A	36	0.318	0.12	100μ" Tin			
649-69152-436HLF	69152-436HLF	A	36	0.50	0.12	100μ" Tin			

Straight Retentive Solder Tail

649-69190-202HLF	69190-202HLF	A	2	0.23	0.12	15μ" Gold			
649-69190-402HLF	69190-402HLF	A	2	0.23	0.12	100μ" Tin			
649-69190-403HLF	69190-403HLF	A	3	0.23	0.12	100μ" Tin			
649-69190-204HLF	69190-204HLF	A	4	0.23	0.12	15μ" Gold			
649-69190-405HLF	69190-405HLF	A	5	0.23	0.12	100μ" Tin			
649-69190-210HLF	69190-210HLF	A	10	0.23	0.12	15μ" Gold			
649-69190-236HLF	69190-236HLF	A	36	0.23	0.12	15μ" Gold			

Right Angle Solder Tail

649-68015-136HLF	68015-136HLF	B	36	0.23	0.09	30μ" Gold			
649-68016-136HLF	68016-136HLF	B	36	0.23	0.12	30μ" Gold			
649-68015-236HLF	68015-236HLF	B	36	0.23	0.09	15μ" Gold			
649-68016-236HLF	68016-236HLF	B	36	0.23	0.12	15μ" Gold			
649-68015-436HLF	68015-436HLF	B	36	0.23	0.09	100μ" Tin			
649-68016-436HLF	68016-436HLF	B	36	0.23	0.12	100μ" Tin			

Right Angle Retentive Solder Tail

649-69191-403HLF	69191-403HLF	B	3	0.23	0.12	100μ" Tin			
649-69191-205HLF	69191-205HLF	B	5	0.23	0.12	15μ" Gold			

.100" DOUBLE ROW HEADERS

For quantities greater than listed, call for quote.

MOUSER STOCK NO.	FCI Part No.	Fig.	No. of Pos.	Dimensions		Plating	Price Each		
				Mating End A	Tail End B		1	100	500
Vertical SMT									
649-95278-101A04LF	95278-101A04LF	C	4	0.23	-	30μ" Gold			
649-95278-101A06LF	95278-101A06LF	C	6	0.23	-	30μ" Gold			

.100" DOUBLE ROW HEADERS (CONT.)

For quantities greater than listed, call for quote.

MOUSER STOCK NO.	FCI Part No.	Fig.	No. of Pos.	Dimensions		Plating	Price Each		
				Mating End A	Tail End B		1	100	500
Vertical SMT (Cont.)									
649-95278-101A08LF	95278-101A08LF	C	8	0.23	-	30μ" Gold			
649-95278-101A10LF	95278-101A10LF	C	10	0.23	-	30μ" Gold			
649-95278-101A12LF	95278-101A12LF	C	12	0.23	-	30μ" Gold			
649-95278-101A16LF	95278-101A16LF	C	16	0.23	-	30μ" Gold			
649-95278-101A20LF	95278-101A20LF	C	20	0.23	-	30μ" Gold			
649-95157-140LF	95157-140LF	C	40	0.23	-	30μ" Gold			
649-95157-240LF	95157-240LF	C	40	0.23	-	15μ" Gold			
649-95157-440LF	95157-440LF	C	40	0.23	-	100μ" Tin			

Straight Solder Tail

649-67996-104HLF	67996-104HLF	D	4	0.23	0.095	30μ" Gold			
649-67997-104HLF	67997-104HLF	D	4	0.23	0.12	30μ" Gold			
649-67996-106HLF	67996-106HLF	D	6	0.23	0.095	30μ" Gold			
649-67997-106HLF	67997-106HLF	D	6	0.23	0.12	30μ" Gold			
649-68602-106HLF	68602-106HLF	D	6	0.23	0.15	30μ" Gold			
649-67996-108HLF	67996-108HLF	D	8	0.23	0.095	30μ" Gold			
649-67997-108HLF	67997-108HLF	D	8	0.23	0.12	30μ" Gold			
649-67997-208HLF	67997-208HLF	D	8	0.23	0.12	15μ" Gold			
649-67996-408HLF	67996-408HLF	D	8	0.23	0.095	100μ" Tin			
649-67996-110HLF	67996-110HLF	D	10	0.23	0.095	30μ" Gold			
649-67997-110HLF	67997-110HLF	D	10	0.23	0.12	30μ" Gold			
649-68602-110HLF	68602-110HLF	D	10	0.23	0.15	30μ" Gold			
649-67997-210HLF	67997-210HLF	D	10	0.23	0.12	15μ" Gold			
649-68602-112HLF	68602-112HLF	D	12	0.23	0.15	30μ" Gold			
649-67997-112HLF	67997-112HLF	D	12	0.23	0.12	30μ" Gold			
649-67996-114HLF	67996-114HLF	D	14	0.23	0.095	30μ" Gold			
649-67996-116HLF	67996-116HLF	D	16	0.23	0.095	30μ" Gold			
649-67997-116HLF	67997-116HLF	D	16	0.23	0.12	30μ" Gold			
649-68602-116HLF	68602-116HLF	D	16	0.23	0.15	30μ" Gold			
649-67997-220HLF	67997-220HLF	D	20	0.23	0.12	15μ" Gold			
649-67996-120HLF	67996-120HLF	D	20	0.23	0.095	30μ" Gold			
649-67997-120HLF	67997-120HLF	D	20	0.23	0.12	30μ" Gold			
649-68602-120HLF	68602-120HLF	D	20	0.23	0.15	30μ" Gold			
649-68602-220HLF	68602-220HLF	D	20	0.23	0.15	15μ" Gold			
649-67996-130HLF	67996-130HLF	D	30	0.23	0.095	30μ" Gold			
649-68602-132HLF	68602-132HLF	D	32	0.23	0.15	30μ" Gold			
649-67996-172HLF	67996-172HLF	D	72	0.23	0.095	30μ" Gold			
649-67997-172HLF	67997-172HLF	D	72	0.23	0.12	30μ" Gold			
649-68602-172HLF	68602-172HLF	D	72	0.23	0.15	30μ" Gold			
649-68691-172HLF	68691-172HLF	D	72	0.318	0.12	30μ" Gold			
649-67997-272HLF	67997-272HLF	D	72	0.23	0.12	15μ" Gold			
649-67996-272HLF	67996-272HLF	D	72	0.23	0.095	15μ" Gold			
649-67997-472HLF	67997-472HLF	D	72	0.23	0.12	100μ" Tin			
649-68602-472HLF	68602-472HLF	D	72	0.23	0.15	100μ" Tin			
649-68691-472HLF	68691-472HLF	D	72	0.318	0.12	100μ" Tin			

Straight Retentive Solder Tail

649-69192-406HLF	69192-406HLF	D	6	0.23	0.12	100μ" Tin			
649-69192-408HLF	69192-408HLF	D	8	0.23	0.12	100μ" Tin			
649-69192-220HLF	69192-220HLF	D	20	0.23	0.12	15μ" Gold			

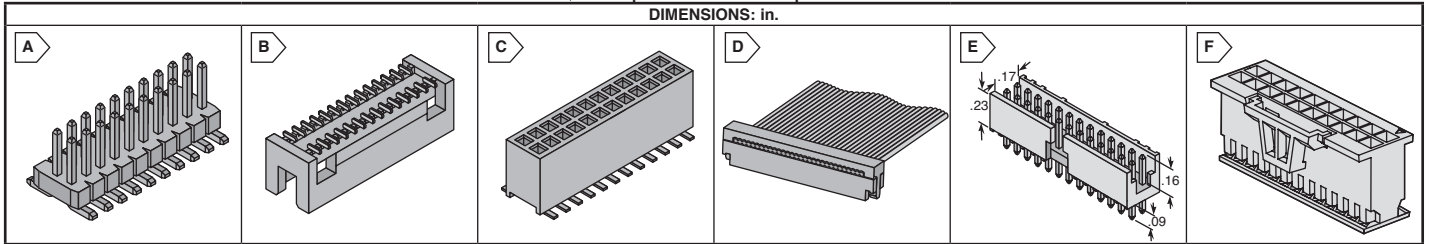
Right Angle Solder Tail

649-68020-172HLF	68020-172HLF	E	72	0.23	0.095	30μ" Gold			
649-68021-172HLF	68021-172HLF	E	72	0.23	0.12	30μ" Gold			
649-79257-272HLF	79257-272HLF	E	72	0.23	0.12	15μ" Gold			
649-68020-472HLF	68020-472HLF	E	72	0.23	0.095	100μ" Tin			
649-68021-472HLF	68021-472HLF	E	72	0.23	0.12	100μ" Tin			

FCI 1.27mm and 2.00mm Minitek Connectors



RoHS Compliant This product is RoHS compliant.
DIMENSIONS: in.



MINITEK 127 BOARD TO BOARD CONNECTORS

Specifications:

- Pitch: 1.27mm
- Contact Resistance: 30m ohms max.
- Voltage Rating: 125V AC
- Current rating: 1A per contact
- Insulation Resistance: 100M ohms min. at 500 V DC/2 minute
- Operating Temperature: -40°C to +85°C

For quantities greater than listed, call for quote.

MOUSER STOCK NO.	FCI Part No.	Fig.	Number of Positions	Contact Plating	Price Each			
					1	25	100	250
Unshrouded Headers								
649-20211210004C4LF	20021121-00004C4LF	A	4	10μ" Gold				
649-20211210006C4LF	20021121-00006C4LF	A	6	10μ" Gold				
649-20211210008C4LF	20021121-00008C4LF	A	8	10μ" Gold				
649-202112100010C4LF	20021121-00010C4LF	A	10	10μ" Gold				
649-202112100012C4LF	20021121-00012C4LF	A	12	10μ" Gold				
649-202112100016C4LF	20021121-00016C4LF	A	16	10μ" Gold				
649-202112100020C4LF	20021121-00020C4LF	A	20	10μ" Gold				
Shrouded Headers								
649-202122100006C4LF	20021221-00006C4LF	B	6	10μ" Gold				
649-202122100010C4LF	20021221-00010C4LF	B	10	10μ" Gold				
649-202122100012C4LF	20021221-00012C4LF	B	12	10μ" Gold				
649-202122100016C4LF	20021221-00016C4LF	B	16	10μ" Gold				
649-202122100020C4LF	20021221-00020C4LF	B	20	10μ" Gold				
Receptacles								
649-202132100008C4LF	20021321-00008C4LF	C	8	10μ" Gold				
649-202132100010C4LF	20021321-00010C4LF	C	10	10μ" Gold				
649-202132100012C4LF	20021321-00012C4LF	C	12	10μ" Gold				
649-202132100016C4LF	20021321-00016C4LF	C	16	10μ" Gold				
649-202132100020C4LF	20021321-00020C4LF	C	20	10μ" Gold				

MINITEK 2.00MM CONNECTORS

For quantities greater than listed, call for quote.

MOUSER STOCK NO.	FCI Part No.	Fig.	Number of Positions	Center Key Style	Contact Plating	Price Each			
						1	25	100	250
649-89361-108LF	89361-108LF	D	8	None	8μ" Gold				
649-89361-114LF	89361-114LF	D	14	None	8μ" Gold				
649-89361-116LF	89361-116LF	D	16	None	8μ" Gold				
649-89361-120LF	89361-120LF	D	20	None	8μ" Gold				
649-89361-126LF	89361-126LF	D	26	None	8μ" Gold				
649-89361-134LF	89361-134LF	D	34	None	8μ" Gold				
649-89361-144LF	89361-144LF	D	44	None	8μ" Gold				
649-89361-150LF	89361-150LF	D	50	None	8μ" Gold				
649-89947-106LF	89947-106LF	D	6	None	30μ" Gold				
649-89947-110LF	89947-110LF	D	10	None	30μ" Gold				
649-89947-112LF	89947-112LF	D	12	None	30μ" Gold				
649-89947-114LF	89947-114LF	D	14	None	30μ" Gold				
649-89947-118LF	89947-118LF	D	18	None	30μ" Gold				
649-89947-120LF	89947-120LF	D	20	None	30μ" Gold				
649-89947-126LF	89947-126LF	D	26	None	30μ" Gold				
649-89947-144LF	89947-144LF	D	44	None	30μ" Gold				
649-89947-340LF	89947-340LF	D	40	Standard	30μ" Gold				
649-89947-350LF	89947-350LF	D	50	Standard	30μ" Gold				
649-89947-706LF	89947-706LF	D	6	Latching	30μ" Gold				
649-89947-708LF	89947-708LF	D	8	Latching	30μ" Gold				
649-89947-710LF	89947-710LF	D	10	Latching	30μ" Gold				
649-89947-712LF	89947-712LF	D	12	Latching	30μ" Gold				
649-89947-716LF	89947-716LF	D	16	Latching	30μ" Gold				
649-89947-718LF	89947-718LF	D	18	Latching	30μ" Gold				
649-89947-720LF	89947-720LF	D	20	Latching	30μ" Gold				
649-89947-724LF	89947-724LF	D	24	Latching	30μ" Gold				
649-89947-726LF	89947-726LF	D	26	Latching	30μ" Gold				
649-89947-730LF	89947-730LF	D	30	Latching	30μ" Gold				

MINITEK™ CTW ACTIVE LATCH

The Minitek 2mm Active Latch is a housing for crimp-to-wire systems, enabling discrete wiring to be attached and unattached to PCB boards with an audible click. The connection is held securely in place by the latch.

For quantities greater than listed, call for quote.

MOUSER STOCK NO.	FCI Part No.	Fig.	Number of Positions	Contact Plating	Price Each			
					1	25	100	250
Headers								
649-98414-G06-04LF	98414-G06-04LF	E	4	30μ" Gold				
649-98414-G06-06ULF	98414-G06-06ULF	E	6	30μ" Gold				
649-98414-F06-06LF	98414-F06-06LF	E	6	8μ" Gold				
649-98414-G06-08ULF	98414-G06-08ULF	E	8	30μ" Gold				
649-98414-G06-10ULF	98414-G06-10ULF	E	10	30μ" Gold				
649-98414-G06-12ULF	98414-G06-12ULF	E	12	30μ" Gold				
649-98414-G06-16ULF	98414-G06-16ULF	E	16	30μ" Gold				
649-98414-G06-20ULF	98414-G06-20ULF	E	20	30μ" Gold				
649-98414-G06-30LF	98414-G06-30LF	E	30	30μ" Gold				
Housings								
649-10073599-006LF	10073599-006LF	F	6	----				
649-10073599-008LF	10073599-008LF	F	8	----				
649-10073599-010LF	10073599-010LF	F	10	----				
649-10073599-012LF	10073599-012LF	F	12	----				
649-10073599-014LF	10073599-014LF	F	14	----				
649-10073599-016LF	10073599-016LF	F	16	----				
649-10073599-020LF	10073599-020LF	F	20	----				



This product is RoHS compliant.

DATAMATE J-TEK 2MM CONNECTORS

Applications:

- 3A per contact
- Professional connector system at commercial prices
- Ideal for COTS applications
- Proven history in high vibration Mil/Aero applications
- Environmental Classification: -55°C/125°C/56 days at 95%RH

J-Tek Male PC Tail Jackscrew Connectors with Boardmount Hardware

For quantities greater than listed, call for quote.

MOUSER STOCK NO.	Harwin Part No.	Fig.	No. of Pos.	Style	Description	Price Each		
						1	10	25
855-M80-5100642	M80-5100642	A	6	Vertical	With Jackscrews			
855-M80-5101042	M80-5101042	A	10	Vertical	With Jackscrews			
855-M80-5101442	M80-5101442	A	14	Vertical	With Jackscrews			
855-M80-5102042	M80-5102042	A	20	Vertical	With Jackscrews			
855-M80-5102642	M80-5102642	A	26	Vertical	With Jackscrews			
855-M80-5105042	M80-5105042	A	50	Vertical	With Jackscrews			
855-M80-5400642	M80-5400642	B	6	Right Angle	With Jackscrews			
855-M80-5401042	M80-5401042	B	10	Right Angle	With Jackscrews			
855-M80-5401442	M80-5401442	B	14	Right Angle	With Jackscrews			
855-M80-5402042	M80-5402042	B	20	Right Angle	With Jackscrews			
855-M80-5402642	M80-5402642	B	26	Right Angle	With Jackscrews			
855-M80-5405042	M80-5405042	B	50	Right Angle	With Jackscrews			

J-Tek Female Crimp Jackscrew Connectors 24-28 AWG

For quantities greater than listed, call for quote.

MOUSER STOCK NO.	Harwin Part No.	Fig.	No. of Pos.	Style	Description	Price Each		
						1	10	25
855-M80-4610605	M80-4610605	C	6	Crimp	With Jackscrews			
855-M80-4611005	M80-4611005	C	10	Crimp	With Jackscrews			
855-M80-4611205	M80-4611205	C	12	Crimp	With Jackscrews			
855-M80-4611405	M80-4611405	C	14	Crimp	With Jackscrews			
855-M80-4612005	M80-4612005	C	20	Crimp	With Jackscrews			
855-M80-4612605	M80-4612605	C	26	Crimp	With Jackscrews			

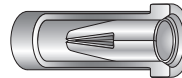
DATAMATE MIX-TEK 2MM CONNECTORS WITH 20 AMP POWER AND SIGNAL CONTACTS FOR WIRE TO BOARD APPLICATIONS

- Professional Connector System at commercial prices
- Ideal for COTS applications
- Proven History in MIL/Aero applications
- Available in a variety of positions not shown

Features:

- Power and Signal contacts in one connector
- Power – 20A - Female Solder (12AWG)
Male PC Tail (3.5mm)
- Signal – 3A - Female Crimp (24-28AWG)
Male PC Tail (3.0mm)
- Polarized
- Jackscrew Hardware
- Temp: -55°C to +125°C
- Endurance 500 Cycles
- 6GHZ Coax option available
- All contacts and pins are gold plated

3 AMP Four Finger Beryllium Copper Contact



Standard in all L and J Tek Female Connectors

Mix-Tek with 2 Power Contacts

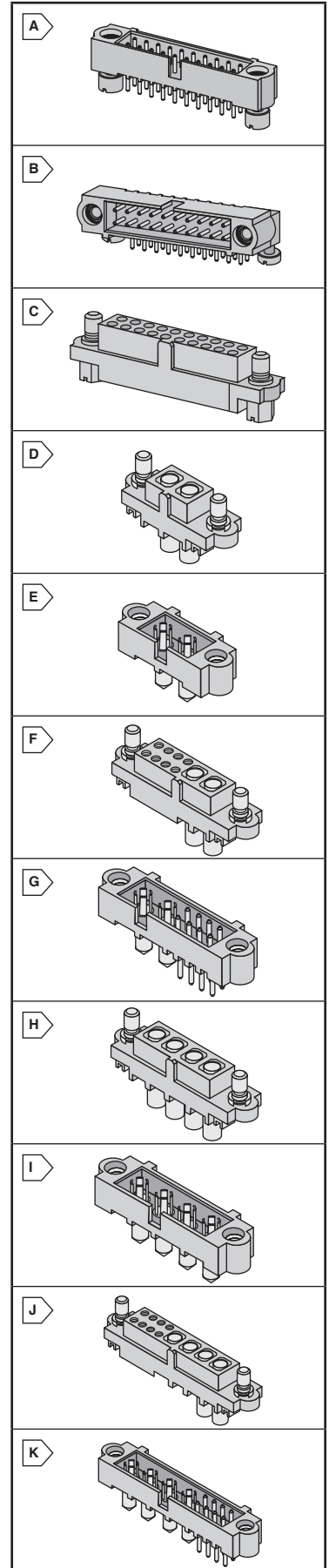
For quantities greater than listed, call for quote.

MOUSER STOCK NO.	Harwin Part No.	Fig.	Gender	Description	Applications	Price Each			
						1	10	25	50
855-M80400000F12325	M80-4000000F1-02-325-00-000	D	Female	2 Power + 0 Signal	Wire Term.				
855-M80500000M12331	M80-5000000M1-02-331-00-000	E	Male	2 Power + 0 Signal	Board Mount				
855-M804C10205F12325	M80-4C10205F1-02-325-00-000	F	Female	2 Power + 2 Signal	Wire Term.				
855-M805T10205M12331	M80-5T10205M1-02-331-00-000	G	Male	2 Power + 2 Signal	Board Mount				
855-M804C10405F12325	M80-4C10405F1-02-325-00-000	F	Female	2 Power + 4 Signal	Wire Term.				
855-M805T10405M12331	M80-5T10405M1-02-331-00-000	G	Male	2 Power + 4 Signal	Board Mount				
855-M804C10605F12325	M80-4C10605F1-02-325-00-000	F	Female	2 Power + 6 Signal	Wire Term.				
855-M805T10605M12331	M80-5T10605M1-02-331-00-000	G	Male	2 Power + 6 Signal	Board Mount				
855-M804C10805F12325	M80-4C10805F1-02-325-00-000	F	Female	2 Power + 8 Signal	Wire Term.				
855-M805T10805M12331	M80-5T10805M1-02-331-00-000	G	Male	2 Power + 8 Signal	Board Mount				
855-M805T11205M12331	M80-5T11205M1-02-331-00-000	G	Male	2 Power + 12 Signal	Board Mount				

Mix-Tek with 4 Power Contacts

For quantities greater than listed, call for quote.

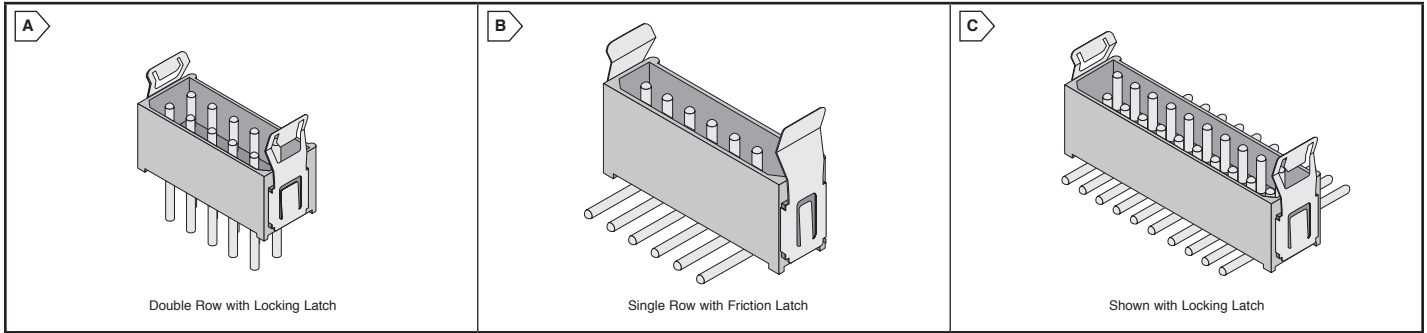
MOUSER STOCK NO.	Harwin Part No.	Fig.	Gender	Description	Applications	Price Each			
						1	10	25	50
855-M80400000F104325	M80-4000000F1-04-325-00-000	H	Female	4 Power + 0 Signal	Wire Term.				
855-M80500000M104331	M80-5000000M1-04-331-00-000	I	Male	4 Power + 0 Signal	Board Mount				
855-M804C10205F14325	M80-4C10205F1-04-325-00-000	J	Female	4 Power + 2 Signal	Wire Term.				
855-M805T10205M14331	M80-5T10205M1-04-331-00-000	K	Male	4 Power + 2 Signal	Board Mount				
855-M804C10405F14325	M80-4C10405F1-04-325-00-000	J	Female	4 Power + 4 Signal	Wire Term.				
855-M805T10405M14331	M80-5T10405M1-04-331-00-000	K	Male	4 Power + 4 Signal	Board Mount				
855-M804C10605F14325	M80-4C10605F1-04-325-00-000	J	Female	4 Power + 6 Signal	Wire Term.				
855-M805T10605M14331	M80-5T10605M1-04-331-00-000	K	Male	4 Power + 6 Signal	Board Mount				
855-M804C10805F14325	M80-4C10805F1-04-325-00-000	J	Female	4 Power + 8 Signal	Wire Term.				
855-M805T10805M14331	M80-5T10805M1-04-331-00-000	K	Male	4 Power + 8 Signal	Board Mount				
855-M804C11205F14325	M80-4C11205F1-04-325-00-000	J	Female	4 Power + 12 Signal	Wire Term.				
855-M805T11205M14331	M80-5T11205M1-04-331-00-000	K	Male	4 Power + 12 Signal	Board Mount				



Harwin Rectangular Connectors

L-Tek High Reliability 2mm Datamate Connectors **HARWIN**

Products may be RoHS compliant. Check mouser.com for RoHS status.

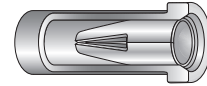


L-TEK DATAMATE SERIES

Features:

- Mates with all L-Tek Series Connectors
- Professional connector system at commercial prices
- Ideal for COTS applications
- Proven performance in high vibration applications
- Proven history in Mil/Aero applications
- Environmental Classification
 - 55°C/125°C/56 days at 95% RH
- Male Contacts: Phosphor bronze
- Durability: 500 operations
- Complies with BS9525-F0033/CECC 75101-008
- Proven performance in high vibration applications
- Mouldings: Glass-filled thermoplastic UL94V-0
- Female Contacts: Brass shell, with 4 finger beryllium copper contact
- RoHS compliant per Harwin Documentation

3 AMP Four Finger Beryllium Copper Contact



Standard in all L and J Tek Female Connectors

L-Tek Male PC Tail Connectors - Vertical

Features:

- Selective Gold Plating
- Polarized mouldings
- Fully shrouded contacts
- 3A contact

For quantities greater than listed, call for quote.

MOUSER RoHS COMPLIANT STOCK NO.	MOUSER NON-RoHS STOCK NO.	Harwin Part No.	Fig.	No. of Contacts	Price Each		
					1	10	25
Single Row With Locking Latch							
855-M80-8820242	855-M80-8770222	M80-8770222	A	2			
855-M80-8820342	855-M80-8770322	M80-8770322	A	3			
855-M80-8820442	855-M80-8770422	M80-8770422	A	4			
855-M80-8820542	855-M80-8770522	M80-8770522	A	5			
855-M80-8820642	855-M80-8770622	M80-8770622	A	6			
855-M80-8820742	855-M80-8770722	M80-8770722	A	7			
Double Row With Locking Latch							
855-M80-8530442	855-M80-8670422	M80-8670422	A	4			
855-M80-8530642	855-M80-8670622	M80-8670622	A	6			
855-M80-8530842	855-M80-8670822	M80-8670822	A	8			
855-M80-8531042	855-M80-8671022	M80-8671022	A	10			
855-M80-8531242	855-M80-8671222	M80-8671222	A	12			
855-M80-8531442	855-M80-8671422	M80-8671422	A	14			
855-M80-8531642	855-M80-8671622	M80-8671622	A	16			
855-M80-8532042	855-M80-8672022	M80-8672022	A	20			
855-M80-8532642	855-M80-8672622	M80-8672622	A	26			
855-M80-8533442	855-M80-8673422	M80-8673422	A	34			
Double Row Unlatched							
855-M80-8540442	855-M80-8690422	M80-8690422	A	4			
855-M80-8540642	855-M80-8690622	M80-8690622	A	6			
855-M80-8540842	855-M80-8690822	M80-8690822	A	8			
855-M80-8541042	855-M80-8691022	M80-8691022	A	10			
855-M80-8541242	855-M80-8691222	M80-8691222	A	12			
855-M80-8541442	855-M80-8691422	M80-8691422	A	14			
855-M80-8541842	855-M80-8691822	M80-8691822	A	18			
855-M80-8542042	855-M80-8692022	M80-8692022	A	20			
855-M80-8542642	855-M80-8692622	M80-8692622	A	26			
Double Row With Friction Latch							
855-M80-8630442	855-M80-8150422	M80-8150422	A	4			
855-M80-8630642	855-M80-8150622	M80-8150622	A	6			
855-M80-8630842	855-M80-8150822	M80-8150822	A	8			
855-M80-8631042	855-M80-8151022	M80-8151022	A	10			
855-M80-8631442	855-M80-8151422	M80-8151422	A	14			
-----	855-M80-8152022	M80-8152022	A	20			

L-Tek Male PC Tail Connectors - Right Angle

Features:

- Selective Gold Plating
- PCB hold-downs included
- Polarized mouldings
- 3A contact

For quantities greater than listed, call for quote.

MOUSER RoHS COMPLIANT STOCK NO.	MOUSER NON-RoHS STOCK NO.	Harwin Part No.	Fig.	No. of Contacts	Price Each		
					1	10	25
Single Row With Locking Latch							
855-M80-8420242	855-M80-8760222	M80-8760222	B	2			
855-M80-8420342	855-M80-8760322	M80-8760322	B	3			
855-M80-8420442	855-M80-8760422	M80-8760422	B	4			
855-M80-8420542	855-M80-8760522	M80-8760522	B	5			
855-M80-8420642	855-M80-8760622	M80-8760622	B	6			
Double Row With Locking Latch							
855-M80-8510442	855-M80-8660422	M80-8660422	B	4			
855-M80-8510642	855-M80-8660622	M80-8660622	B	6			
855-M80-8510842	855-M80-8660822	M80-8660822	B	8			

LATCHING OPTIONS

Locking Latch: The opening in the locking latch allows it to physically snap onto the mating half for additional retention force.

Friction Latch: The friction latch is solid, which allows additional retention without physically locking onto mating half.

Unlatched: The unique design of the four leaf Beryllium Copper contacts provides retention force for unlatched options.

L-Tek Male PC Tail Connectors - Right Angle (Cont.)

Features:

- Selective Gold Plating
- PCB hold-downs included
- Polarized mouldings
- 3 Amp contact

For quantities greater than listed, call for quote.

MOUSER RoHS COMPLIANT STOCK NO.	MOUSER NON-RoHS STOCK NO.	Harwin Part No.	Fig.	No. of Contacts	Price Each		
					1	10	25
Double Row With Locking Latch (Cont.)							
855-M80-8511042	855-M80-8661022	M80-8661022	B	10			
855-M80-8511242	855-M80-8661222	M80-8661222	B	12			
855-M80-8511442	855-M80-8661422	M80-8661422	B	14			
855-M80-8511642	855-M80-8661622	M80-8661622	B	16			
855-M80-8511842	855-M80-8661822	M80-8661822	B	18			
855-M80-8512042	855-M80-8662022	M80-8662022	B	20			
855-M80-8512642	855-M80-8662622	M80-8662622	B	26			
855-M80-8513442	855-M80-8663422	M80-8663422	B	34			
Double Row Unlatched							
855-M80-8410642	855-M80-8680622	M80-8680622	B	6			
855-M80-8410842	855-M80-8680822	M80-8680822	B	8			
855-M80-8411242	855-M80-8681222	M80-8681222	B	12			
855-M80-8411442	855-M80-8681422	M80-8681422	B	14			
855-M80-8411842	855-M80-8681822	M80-8681822	B	18			
855-M80-8412042	855-M80-8682022	M80-8682022	B	20			
855-M80-8412642	855-M80-8682622	M80-8682622	B	26			
Double Row With Friction Latch							
855-M80-8390442	855-M80-8140422	M80-8140422	B	4			
855-M80-8391042	855-M80-8141022	M80-8141022	B	10			
855-M80-8391642	855-M80-8141622	M80-8141622	B	16			
855-M80-8392042	855-M80-8142022	M80-8142022	B	20			
855-M80-8392642	855-M80-8142622	M80-8142622	B	26			
855-M80-8393442	855-M80-8143422	M80-8143422	B	34			

L-Tek Male Surface Mount Connectors - Vertical

Features:

- Selective Gold Plating
- Double Row
- Polarized mouldings
- 3 Amp contact

For quantities greater than listed, call for quote.

MOUSER RoHS COMPLIANT STOCK NO.	MOUSER NON-RoHS STOCK NO.	Harwin Part No.	Fig.	No. of Contacts	Price Each		
					1	10	25
With Locking Latch							
855-M80-8280442	855-M80-8280422	M80-8280422	C	4			
855-M80-8280642	855-M80-8280622	M80-8280622	C	6			
855-M80-8280842	855-M80-8280822	M80-8280822	C	8			
855-M80-8281042	855-M80-8281022	M80-8281022	C	10			
855-M80-8281242	855-M80-8281222	M80-8281222	C	12			
855-M80-8281442	855-M80-8281422	M80-8281422	C	14			
855-M80-8281842	855-M80-8281822	M80-8281822	C	18			
855-M80-8282642	855-M80-8282622	M80-8282622	C	26			

HARWIN L-Tek Connectors



L-TEK DATAMATE FEMALE CRIMP CONNECTORS

Features:

- Gold Plating
 - Contacts included
 - Contacts rear insertable
- For quantities greater than listed, call for quote.



RoHS Compliant

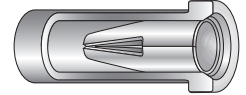


For quantities greater than listed, call for quote.

MOUSER STOCK NO.	Mfr. Part No.	Fig.	No. of Contacts	AWG	Bore Size	Price Each		
						1	10	25
Single Row								
855-M80-8990205		A	2	22	Large			
855-M80-8990305		A	3	22	Large			
855-M80-8990405		A	4	22	Large			
855-M80-8990505		A	5	22	Large			
855-M80-8990605		A	6	22	Large			
855-M80-8990705		A	7	22	Large			
855-M80-8980205		A	2	24-28	Small			
855-M80-8980305		A	3	24-28	Small			
855-M80-8980405		A	4	24-28	Small			
855-M80-8980505		A	5	24-28	Small			
855-M80-8980605		A	6	24-28	Small			
855-M80-8980705		A	7	24-28	Small			
855-M80-7980205		A	2	32-28	Ex. Small			
855-M80-7980305		A	3	32-28	Ex. Small			
855-M80-7980405		A	4	32-28	Ex. Small			
855-M80-7980505		A	5	32-28	Ex. Small			
855-M80-7980605		A	6	32-28	Ex. Small			
855-M80-7980705		A	7	32-28	Ex. Small			
855-M80-7981705		A	17	32-28	Ex. Small			
Double Row								
855-M80-8890405		A	4	22	Large			
855-M80-8890605		A	6	22	Large			
855-M80-8890805		A	8	22	Large			
855-M80-8891005		A	10	22	Large			
855-M80-8891205		A	12	22	Large			
855-M80-8891405		A	14	22	Large			
855-M80-8891605		A	16	22	Large			
855-M80-8891805		A	18	22	Large			
855-M80-8892005		A	20	22	Large			

MOUSER STOCK NO.	Mfr. Part No.	Fig.	No. of Contacts	AWG	Bore Size	Price Each		
						1	10	25
Double Row (Cont.)								
855-M80-8892605		A	26	22	Large			
855-M80-8893405		A	34	22	Large			
855-M80-8880405		A	4	24-28	Small			
855-M80-8880605		A	6	24-28	Small			
855-M80-8880805		A	8	24-28	Small			
855-M80-8881005		A	10	24-28	Small			
855-M80-8881205		A	12	24-28	Small			
855-M80-8881405		A	14	24-28	Small			
855-M80-8881605		A	16	24-28	Small			
855-M80-8881805		A	18	24-28	Small			
855-M80-8882005		A	20	24-28	Small			
855-M80-8882605		A	26	24-28	Small			
855-M80-8883405		A	34	24-28	Small			
855-M80-7880405		A	4	32-28	Ex. Small			
855-M80-7880605		A	6	32-28	Ex. Small			
855-M80-7880805		A	8	32-28	Ex. Small			
855-M80-7881005		A	10	32-28	Ex. Small			
855-M80-7881205		A	12	32-28	Ex. Small			
855-M80-7881405		A	14	32-28	Ex. Small			
855-M80-7881605		A	16	32-28	Ex. Small			
855-M80-7881805		A	18	32-28	Ex. Small			
855-M80-7882005		A	20	32-28	Ex. Small			
855-M80-7882605		A	26	32-28	Ex. Small			
855-M80-7883405		A	34	32-28	Ex. Small			
Spare Female Crimp Contact								
855-M80-0130005		--	--	24-28	Small			
855-M80-0110005		--	--	22	Large			
855-M80-0190005		-	-	32-28	Ex. Small			

3 AMP Four Finger Beryllium Copper Contact



Standard in all L & J Tek Female Connectors

Harwin Rectangular Connectors

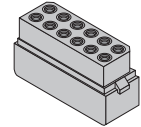
DATAMATE HOODS

• L-Tek Crimp connector shown already assembled

For quantities greater than listed, call for quote.

MOUSER STOCK NO.	RoHS COMPLIANT	Harwin Part No.	Fig.	No. of Contacts	Price Each		
					1	10	25
855-M80-8801098		M80-8801098	B	10			
855-M80-8801298		M80-8801298	B	12			
855-M80-8801498		M80-8801498	B	14			
855-M80-8801698		M80-8801698	B	16			
855-M80-8802098		M80-8802098	B	20			
855-M80-8802698		M80-8802698	B	26			
855-M80-8803498		M80-8803498	B	34			

A



B



L-TEK DATAMATE FEMALE PC TAIL CONNECTORS - VERTICAL

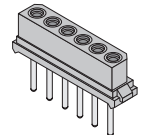
Features:

- Gold Plating
- Fully Shrouded
- Polarized Mouldings

For quantities greater than listed, call for quote.

MOUSER STOCK NO.	Harwin Part No.	Fig.	No. of Contacts	Price Each		
				1	10	25
Single Row						
855-M80-8400245	M80-8400245	C	2			
855-M80-8400445	M80-8400445	C	4			
855-M80-8400645	M80-8400645	C	6			
Double Row						
855-M80-8500445	M80-8500445	C	4			
855-M80-8500645	M80-8500645	C	6			
855-M80-8500845	M80-8500845	C	8			
855-M80-8501045	M80-8501045	C	10			
855-M80-8501245	M80-8501245	C	12			
855-M80-8501445	M80-8501445	C	14			
855-M80-8501645	M80-8501645	C	16			
855-M80-8502045	M80-8502045	C	20			
855-M80-8502645	M80-8502645	C	26			

C

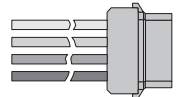


DATAMATE TOOLS

For quantities greater than listed, call for quote.

MOUSER STOCK NO.	Harwin Part No.	Description	Price Each
855-M22520/2-01	M22520/2-01	Crimp Tool	
855-T5747	T5747	Positioner	
855-T5746	T5746	Separator Tool	
855-Z80-280	Z80-280	Insertion/Removal Tool	

D



L-TEK HIGH RELIABILITY 2MM PRE-CRIMPED DATAMATE ASSEMBLIES WITH 18" LEADS

Features:

- Pre-assembled with 18" crimped leads inserted into the housing
- Housings: Glass filled PPS UL94V-0, Black
- Contact Plating: Gold
- Current rating: 3.0A
- AWG: 26 and meets MIL-W-16878
- Males supplied with Locking Latch
- RoHS compliant per Harwin documentation
- Different color wire for each contact



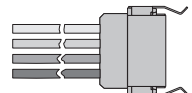
RoHS Compliant

Contact No.	Wire Color	Contact No.	Wire Color
1	Black	7	Blue
2	Brown	8	Violet
3	Red	9	Gray
4	Orange	10	White
5	Yellow	11	White/Black Stripe
6	Green	12	White/Brown Stripe

For quantities greater than listed, call for quote.

MOUSER STOCK NO.	Harwin Part No.	Fig.	Contacts Arrangement	Gender	Connector Housing	Lead Length	Price Each		
							1	10	25
855-M80C108371C	M80C108371C	D	2 x 2	Female	855-M80-8880405	18"			
855-M80C108372C	M80C108372C	D	2 x 4	Female	855-M80-8880805	18"			
855-M80C108373C	M80C108373C	D	2 x 5	Female	855-M80-8881005	18"			
855-M80C108374C	M80C108374C	D	2 x 6	Female	855-M80-8881205	18"			
855-M80C108367C	M80C108367C	E	2 x 2	Male	855-M80-8120405	18"			
855-M80C108368C	M80C108368C	E	2 x 4	Male	855-M80-8120805	18"			
855-M80C108370C	M80C108370C	E	2 x 6	Male	855-M80-8121205	18"			

E



HARWIN 1mm and 1.27mm Connectors

HARWIN

RoHS Compliant This product is RoHS compliant.

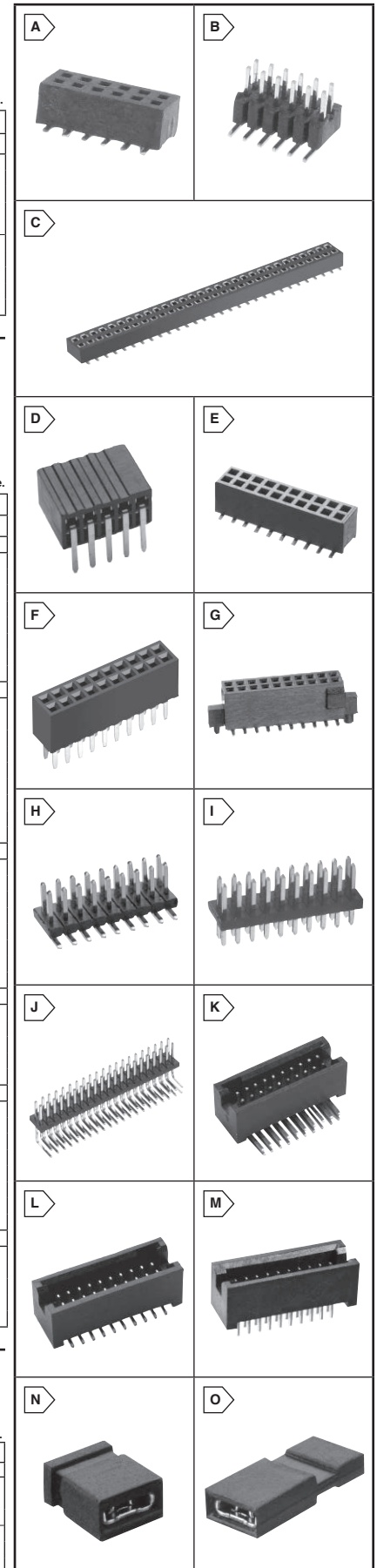
1.0MM BOARD-TO-BOARD CONNECTORS

- Dual Row, with location pegs
- Contact Resistance: 30mΩ max. Pin
- 1.8mm pin height
- Contact Rating: .75A Pin
- 1A Socket
- Contact Resistance: 20mΩ max. Socket

PRODUCT **NEW**

For quantities greater than listed, call for quote.

MOUSER STOCK NO.	Harwin Part No.	Fig.	No. of Positions	Description	Price Each			
					1	10	100	400
855-M40-3100345R	M40-3100345R	A	6	SMT Vertical Socket				
855-M40-3100445R	M40-3100445R	A	8	SMT Vertical Socket				
855-M40-3100545R	M40-3100545R	A	10	SMT Vertical Socket				
855-M40-3100645R	M40-3100645R	A	12	SMT Vertical Socket				
855-M40-3101045R	M40-3101045R	A	20	SMT Vertical Socket				
855-M40-3200345R	M40-3200345R	B	6	SMT Vertical Pin				
855-M40-3200445R	M40-3200445R	B	8	SMT Vertical Pin				
855-M40-3200545R	M40-3200545R	B	10	SMT Vertical Pin				
855-M40-3200645R	M40-3200645R	B	12	SMT Vertical Pin				
855-M40-3201045R	M40-3201045R	B	20	SMT Vertical Pin				



Rectangular Connectors Harwin

ARCHER M50 SERIES - DOUBLE ROW 1.27MM (.050") PITCH

Ideal for fine pitch board to board applications.

- High Temperature Plastic UL94V-0
- Current Rating: 1A per contact
- Voltage: 150V AC
- Contact Material: Copper Alloy
- Finish Material: Part # ending with 45: Gold finish;
- Part number ending with 42: Gold contact, tin tail
- RoHS Compliant per Harwin Documentation

PRODUCT **NEW**

For quantities greater than listed, call for quote.

Sockets For quantities greater than listed, call for quote.

MOUSER STOCK NO.	Harwin Part No.	Fig.	Pos.	Price Each		
				1	10	25
Dual Entry Low Profile SMT Sockets, 2.2mm Mould Height						
855-M50-3150542	M50-3150542	C	10			
855-M50-3150642	M50-3150642	C	12			
855-M50-3150842	M50-3150842	C	16			
855-M50-3151042	M50-3151042	C	20			
855-M50-3151542	M50-3151542	C	30			
855-M50-3152042	M50-3152042	C	40			
855-M50-3152542	M50-3152542	C	50			
855-M50-3155042	M50-3155042	C	100			
Right Angle Horizontal Sockets, 3.45mm Mould Height						
855-M50-3200545	M50-3200545	D	10			
855-M50-3200645	M50-3200645	D	12			
855-M50-3200845	M50-3200845	D	16			
855-M50-3201045	M50-3201045	D	20			
855-M50-3201245	M50-3201245	D	24			
855-M50-3201545	M50-3201545	D	30			
855-M50-3202045	M50-3202045	D	40			
Vertical SMT Sockets, 3.6mm Mould Height						
855-M50-3120545	M50-3120545	E	10			
855-M50-3120645	M50-3120645	E	12			
855-M50-3120845	M50-3120845	E	16			
855-M50-3121045	M50-3121045	E	20			
855-M50-3121245	M50-3121245	E	24			
855-M50-3121545	M50-3121545	E	30			
855-M50-3122045	M50-3122045	E	40			
855-M50-3122545	M50-3122545	E	50			
855-M50-3125045	M50-3125045	E	100			
Vertical Sockets, 4.3mm Mould Height						
855-M50-3000545	M50-3000545	F	10			
855-M50-3000645	M50-3000645	F	12			
855-M50-3000845	M50-3000845	F	16			
855-M50-3001045	M50-3001045	F	20			
855-M50-3001245	M50-3001245	F	24			
855-M50-3001545	M50-3001545	F	30			
855-M50-3002045	M50-3002045	F	40			
855-M50-3002545	M50-3002545	F	50			
855-M50-3005045	M50-3005045	F	100			
Polarized SMT Sockets, 4.4mm Mould Height						
855-M50-4300545	M50-4300545	G	10			
855-M50-4300845	M50-4300845	G	16			
855-M50-4301045	M50-4301045	G	20			
855-M50-4301545	M50-4301545	G	30			
855-M50-4302045	M50-4302045	G	40			
855-M50-4302545	M50-4302545	G	50			
855-M50-4305045	M50-4305045	G	100			

Headers

For quantities greater than listed, call for quote.

MOUSER STOCK NO.	Harwin Part No.	Fig.	Pos.	Price Each		
				1	10	25
SMT Pin Headers, 3.0mm Post						
855-M50-3600542	M50-3600542	H	10			
855-M50-3600642	M50-3600642	H	12			
855-M50-3600842	M50-3600842	H	16			
855-M50-3601042	M50-3601042	H	20			
855-M50-3601242	M50-3601242	H	24			
855-M50-3601542	M50-3601542	H	30			
855-M50-3602042	M50-3602042	H	40			
855-M50-3602542	M50-3602542	H	50			
Vertical Pin Headers, 3.0mm Post						
855-M50-3500542	M50-3500542	I	10			
855-M50-3500642	M50-3500642	I	12			
855-M50-3500842	M50-3500842	I	16			
855-M50-3501042	M50-3501042	I	20			
855-M50-3501242	M50-3501242	I	24			
855-M50-3501542	M50-3501542	I	30			
855-M50-3502042	M50-3502042	I	40			
855-M50-3502542	M50-3502542	I	50			
855-M50-3505042	M50-3505042	I	100			
Right Angle Pin Headers, 3.8mm Post						
855-M50-3900542	M50-3900542	J	10			
855-M50-3900642	M50-3900642	J	12			
855-M50-3900842	M50-3900842	J	16			
855-M50-3901042	M50-3901042	J	20			
855-M50-3901242	M50-3901242	J	24			
855-M50-3901542	M50-3901542	J	30			
855-M50-3902542	M50-3902542	J	50			
855-M50-3905042	M50-3905042	J	100			
Polarized Right Angle Pin Headers						
855-M50-4800545	M50-4800545	K	10			
855-M50-4800845	M50-4800845	K	16			
855-M50-4801045	M50-4801045	K	20			
855-M50-4801545	M50-4801545	K	30			
855-M50-4802545	M50-4802545	K	50			
Polarized SMT Pin Headers						
855-M50-4900545	M50-4900545	L	10			
855-M50-4900645	M50-4900645	L	12			
855-M50-4900845	M50-4900845	L	16			
855-M50-4901045	M50-4901045	L	20			
855-M50-4901545	M50-4901545	L	30			
855-M50-4902045	M50-4902045	L	40			
855-M50-4902545	M50-4902545	L	50			
855-M50-4905045	M50-4905045	L	100			
Polarized Shrouded Pin Headers						
855-M50-4700645	M50-4700645	M	12			
855-M50-4700845	M50-4700845	M	16			
855-M50-4701045	M50-4701045	M	20			
855-M50-4701545	M50-4701545	M	30			
855-M50-4702545	M50-4702545	M	50			

ARCHER M50 JUMPER SOCKETS/SHUNTS

PRODUCT **NEW**

For quantities greater than listed, call for quote.

MOUSER STOCK NO.	Harwin Part No.	Fig.	Color	Price Each		
				1	10	25
855-M50-1900005	M50-1900005	N	Black			
855-M50-1920005	M50-1920005	N	Red			
855-M50-1930005	M50-1930005	N	Blue			
855-M50-2000005	M50-2000005	O	Black			
855-M50-2020005	M50-2020005	O	Red			
855-M50-2030005	M50-2030005	O	Blue			

HARWIN M20 2.54mm Pitch and PC/104 Connectors



RoHS Compliant This product is RoHS compliant.

2.54MM (0.1") PITCH CONNECTORS

- Rated up to 3A, 250V per contact
- Moulding material: UL94V-0

Housings For quantities greater than listed, call for quote.

MOUSER STOCK NO.	Harwin Part No.	Fig.	No. of Pos.	Price Each		
				1	10	25
Single Row 2.54mm						
855-M20-1060100	M20-1060100	A	1			
855-M20-1060200	M20-1060200	A	2			
855-M20-1060300	M20-1060300	A	3			
855-M20-1060400	M20-1060400	A	4			
855-M20-1060500	M20-1060500	A	5			
855-M20-1060600	M20-1060600	A	6			
855-M20-1060700	M20-1060700	A	7			
855-M20-1060800	M20-1060800	A	8			
855-M20-1060900	M20-1060900	A	9			
855-M20-1061000	M20-1061000	A	10			
Double Row 2.54mm						
855-M20-1070200	M20-1070200	B	2			
855-M20-1070300	M20-1070300	B	3			
855-M20-1070400	M20-1070400	B	4			
855-M20-1070500	M20-1070500	B	5			
855-M20-1070600	M20-1070600	B	6			
855-M20-1070700	M20-1070700	B	7			
855-M20-1070800	M20-1070800	B	8			
855-M20-1071000	M20-1071000	B	10			
855-M20-1071200	M20-1071200	B	12			

Sockets 2.54 mm For quantities greater than listed, call for quote.

Single Row, Tin						
855-M20-7820446	M20-7820446	C	4			
855-M20-7820546	M20-7820546	C	5			
855-M20-7820646	M20-7820646	C	6			
855-M20-7820946	M20-7820946	C	9			
855-M20-7821046	M20-7821046	C	10			
Single Row, Gold + Tin						
855-M20-7820242	M20-7820242	C	2			
855-M20-7820442	M20-7820442	C	4			
855-M20-7820842	M20-7820842	C	8			
Double Row, Tin						
855-M20-7830346	M20-7830346	D	3			
855-M20-7830446	M20-7830446	D	4			
855-M20-7830546	M20-7830546	D	5			
855-M20-7830846	M20-7830846	D	8			
855-M20-7831046	M20-7831046	D	10			
Double Row, Gold + Tin						
855-M20-7830342	M20-7830342	D	3			
855-M20-7830442	M20-7830442	D	4			
855-M20-7830642	M20-7830642	D	6			
855-M20-7830842	M20-7830842	D	8			
855-M20-7830942	M20-7830942	D	9			
855-M20-7831042	M20-7831042	D	10			

Headers 2.54mm For quantities greater than listed, call for quote.

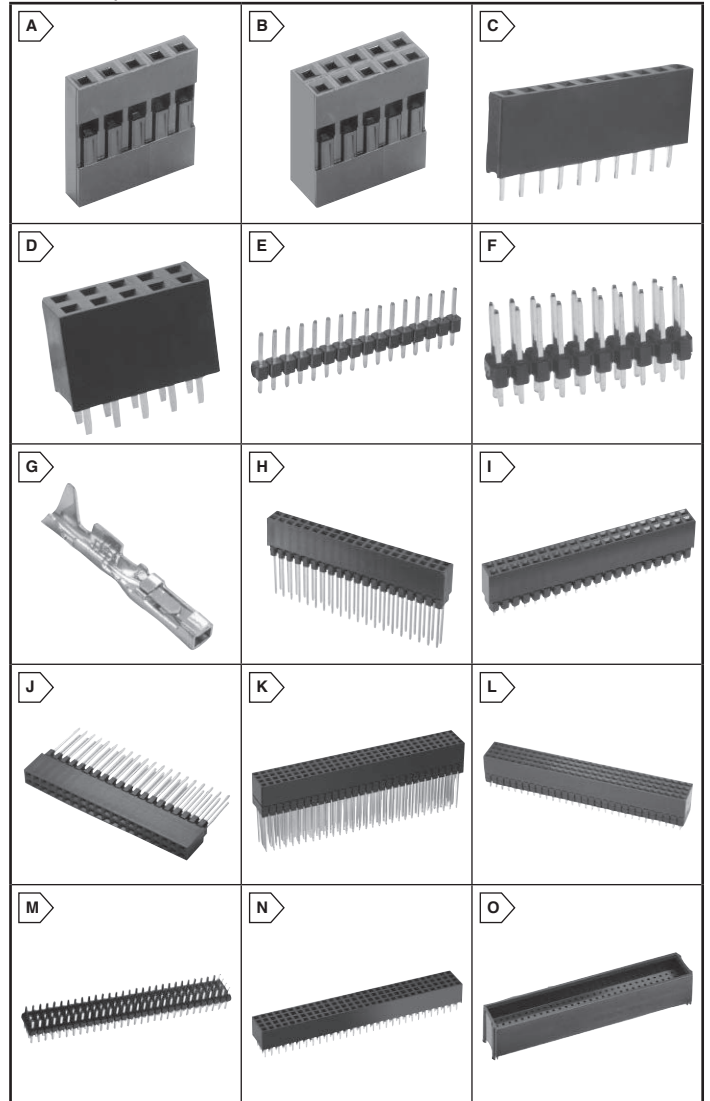
Single Row, Tin						
855-M20-9990246	M20-9990246	E	2			
855-M20-9990346	M20-9990346	E	3			
855-M20-9990546	M20-9990546	E	5			
855-M20-9990646	M20-9990646	E	6			
855-M20-9990846	M20-9990846	E	8			
855-M20-9991046	M20-9991046	E	10			
Single Row, Gold						
855-M20-9990245	M20-9990245	E	2			
855-M20-9990345	M20-9990345	E	3			
855-M20-9990545	M20-9990545	E	5			
855-M20-9990845	M20-9990845	E	8			
855-M20-9991045	M20-9991045	E	10			
Double Row, Tin						
855-M20-9980346	M20-9980346	F	3			
855-M20-9980446	M20-9980446	F	4			
855-M20-9980546	M20-9980546	F	5			
855-M20-9980646	M20-9980646	F	6			
855-M20-9980746	M20-9980746	F	7			
855-M20-9980846	M20-9980846	F	8			
855-M20-9981046	M20-9981046	F	10			
855-M20-9981246	M20-9981246	F	12			
Double Row, Gold						
855-M20-9980245	M20-9980245	F	2			
855-M20-9980345	M20-9980345	F	3			
855-M20-9980445	M20-9980445	F	4			
855-M20-9980545	M20-9980545	F	5			
855-M20-9980645	M20-9980645	F	6			
855-M20-9980745	M20-9980745	F	7			
855-M20-9980845	M20-9980845	F	8			
855-M20-9981045	M20-9981045	F	10			

Female Contacts For quantities greater than listed, call for quote.

MOUSER STOCK NO.	Harwin Part No.	Fig.	Description	Price Each
855-M20-1180042	M20-1180042	G	22-30 AWG, Gold & Tin, 100 Pack	
855-M20-1180046	M20-1180046	G	22-30 AWG, Tin, 100 Pack	

Tool For quantities greater than listed, call for quote.

855-Z20-320	Z20-320	-	M20 Hand Crimp Tool	
-------------	---------	---	---------------------	--



PC/104 CONNECTORS

- 2.54mm Pitch
- Gold Finish
- Contacts: Phosphor Bronze
- Temp Range: -55°C to 105°C
- 32+32 way Supports an 8-bit system
- 20+20 way combined with 32+32 ways supports a 16-bit system
- Current Rating: Solder Tail: 3A max.; Press Fit Tail: 2A max.

For quantities greater than listed, call for quote.

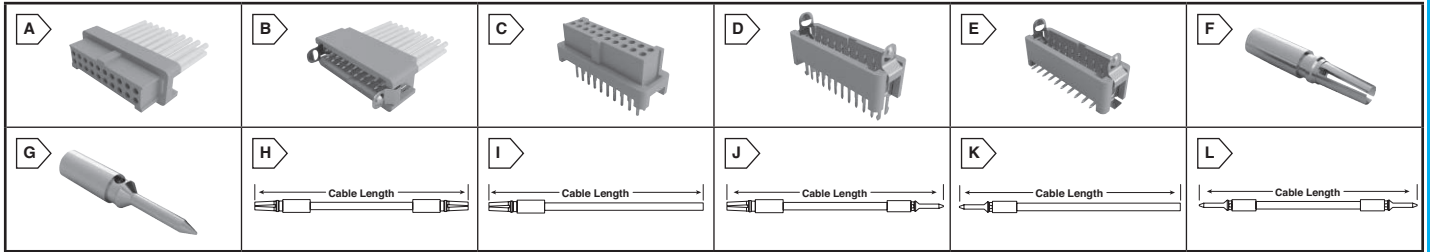
MOUSER STOCK NO.	Harwin Part No.	Fig.	Description	Price Each		
				1	10	25
12.2mm Solder Tail						
855-M20-6102045	M20-6102045	H	20+20 Stackthrough			
855-M20-6103245	M20-6103245	H	32+32 Stackthrough			
2.3mm Solder Tail						
855-M20-6112045	M20-6112045	I	20+20 Non-Stackthrough			
855-M20-6113245	M20-6113245	I	32+32 Non-Stackthrough			
12.2mm Press Fit						
855-M20-6152005	M20-6152005	J	20+20 Stackthrough			
855-M20-6153205	M20-6153205	J	32+32 Stackthrough			

PC/104 PLUS CONNECTORS

- Current Rating: Solder Tail: 1A
- 2.00mm Pitch
- Press-Fit Tail: 2A max.
- Voltage Rating: 12V DC

For quantities greater than listed, call for quote.

MOUSER STOCK NO.	Harwin Part No.	Fig.	Description	Price Each		
				1	10	25
4 Way x 30						
855-M22-6003005	M22-6003005	K	Stackthrough, Solder Tail			
855-M22-6013005	M22-6013005	L	Non-Stackthrough, Solder Tail			
855-M22-6053005	M22-6053005	K	Stackthrough, Press-Fit Tail			
855-M22-6023042	M22-6023042	M	Post Header			
855-M22-6033042	M22-6033042	N	Post Receptacle			
855-M22-6043098	M22-6043098	O	Shroud			



Features:

- Dual row cable-to-board and board-to-board interconnect solution
- Suited for stacking and cable mating in areas where PCB real estate is at a premium
- High performance in a miniature package
- Pin spacing of 1.25mm and up to 50 contacts per connector
- Allow high performance in extreme conditions
- Accommodate 2.8A per contact in isolation and 2A simultaneously at 25°C
- Operate within a wide temperature range (-65°C / +150°C) and under extreme vibration (Z axis 100g 6ms)
- Copper alloy contact
- Low Profile

HOUSINGS

For quantities greater than listed, call for quote.

MOUSER STOCK NO.		Fig.	Number of Contacts	Price Each			
Mfr.	Mfr. Part No.			1	10	50	100
Female Housing							
855—G125-2041296L0	A		12				
855—G125-2041696L0	A		16				
855—G125-2042096L0	A		20				
855—G125-2042696L0	A		26				
Male Housing with Latches							
855—G125-3041296L0	B		12				
855—G125-3041696L0	B		16				
855—G125-3042096L0	B		20				
855—G125-3042696L0	B		26				
Male Housing with Latches							
855—G125-3041296L4	B		12				
855—G125-3041696L4	B		16				
855—G125-3042096L4	B		20				
855—G125-3042696L4	B		26				

FEMALE CONNECTORS

PC Tail - 3mm						
855—G125-FV11205L0P	C		12			
855—G125-FV11605L0P	C		16			
855—G125-FV12005L0P	C		20			
855—G125-FV12605L0P	C		26			
PC Tail - 4.5mm						
855—G125-FV21205L0P	C		12			
855—G125-FV21605L0P	C		16			
855—G125-FV22005L0P	C		20			
855—G125-FV22605L0P	C		26			
Surface Mount						
855—G125-FS11205L0P	C		12			
855—G125-FS11605L0P	C		16			
855—G125-FS12005L0P	C		20			
855—G125-FS12605L0P	C		26			

MALE CONNECTORS

PC Tail - 3mm						
855—G125-MV11205L0P	D		12			
855—G125-MV11605L0P	D		16			
855—G125-MV12005L0P	D		20			
855—G125-MV12605L0P	D		26			
PC Tail - 3mm with Latches						
855—G125-MV11205L1P	D		12			
855—G125-MV11605L1P	D		16			
855—G125-MV12005L1P	D		20			
855—G125-MV12605L1P	D		26			
PC Tail - 4.5mm						
855—G125-MV21205L0P	D		12			
855—G125-MV22005L0P	D		12			
855—G125-MV21605L0P	D		20			
855—G125-MV22605L0P	D		20			
PC Tail - 4.5mm with Latches						
855—G125-MV21205L2P	D		16			
855—G125-MV22005L2P	D		16			
855—G125-MV21605L2P	D		26			
855—G125-MV22605L2P	D		26			
Surface Mount						
855—G125-MS11205L0P	E		12			
855—G125-MS11605L0P	E		16			
855—G125-MS12005L0P	E		20			
855—G125-MS12605L0P	E		26			
Surface Mount with Latches						
855—G125-MS11205L3P	E		12			
855—G125-MS11605L3P	E		16			
855—G125-MS12005L3P	E		20			
855—G125-MS12605L3P	E		26			

CONTACTS

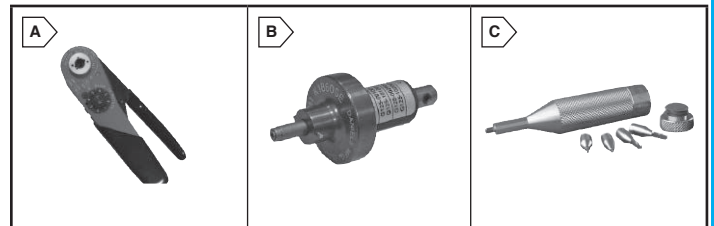
For quantities greater than listed, call for quote.

MOUSER STOCK NO.		Fig.	AWG	Finish	Price Each			
Mfr.	Mfr. Part No.				1	10	50	100
Female								
855—G125-0010005	F		26	Gold				
855—G125-0020005	F		23-32	Gold				
Male								
855—G125-1010005	G		26	Gold				
855—G125-1020005	G		28-32	Gold				

CABLE CONNECTORS

For quantities greater than listed, call for quote.

MOUSER STOCK NO.		Fig.	Gender - First End	AWG	Cable Length	Price Each			
Mfr.	Mfr. Part No.					1	10	50	100
855—G125-FW10150F94	H		Female - Female	26	150mm				
855—G125-FW10150L94	I		Female Single Ended	26	150mm				
855—G125-MW10150F94	J		Male - Female	26	150mm				
855—G125-MW10150L94	K		Male Single Ended	26	150mm				
855—G125-MW10150M94	L		Male - Male	26	150mm				
855—G125-FW10300F94	H		Female - Female	26	300mm				
855—G125-MW10300F94	J		Male - Female	26	300mm				
855—G125-MW10300M94	L		Male - Male	26	300mm				
855—G125-FW10450L94	I		Female Single Ended	26	450mm				
855—G125-MW10450L94	K		Male Single Ended	26	450mm				
855—G125-FW20150F94	H		Female - Female	28	150mm				
855—G125-FW20150L94	I		Female Single Ended	28	150mm				
855—G125-MW20150F94	J		Male - Female	28	150mm				
855—G125-MW20150L94	K		Male Single Ended	28	150mm				
855—G125-MW20150M94	L		Male - Male	28	150mm				
855—G125-FW20300F94	H		Female - Female	28	300mm				
855—G125-MW20300F94	J		Male - Female	28	300mm				
855—G125-MW20300M94	L		Male - Male	28	300mm				
855—G125-FW20450L94	I		Female Single Ended	28	450mm				
855—G125-MW20450L94	K		Male Single Ended	28	450mm				
855—G125-FW30150F94	H		Female - Female	30	150mm				
855—G125-FW30150L94	I		Female Single Ended	30	150mm				
855—G125-MW30150F94	J		Male - Female	30	150mm				
855—G125-MW30150L94	K		Male Single Ended	30	150mm				
855—G125-MW30150M94	L		Male - Male	30	150mm				
855—G125-FW30300F94	H		Female - Female	30	300mm				
855—G125-MW30300F94	J		Male - Female	30	300mm				
855—G125-MW30300M94	L		Male - Male	30	300mm				
855—G125-FW30450L94	I		Female Single Ended	30	450mm				
855—G125-MW30450L94	K		Male Single Ended	30	450mm				
855—G125-FW40150F94	H		Female - Female	32	150mm				
855—G125-FW40150L94	I		Female Single Ended	32	150mm				
855—G125-MW40150F94	J		Male - Female	32	150mm				
855—G125-MW40150L94	K		Male Single Ended	32	150mm				
855—G125-MW40150M94	L		Male - Male	32	150mm				
855—G125-FW40300F94	H		Female - Female	32	300mm				
855—G125-MW40300F94	J		Male - Female	32	300mm				
855—G125-MW40300M94	L		Male - Male	32	300mm				
855—G125-FW40450L94	I		Female Single Ended	32	450mm				
855—G125-MW40450L94	K		Male Single Ended	32	450mm				



TOOLS

For quantities greater than listed, call for quote.

MOUSER STOCK NO.		Harwin Part No.	Fig.	Description	Price Each	
Mfr.	Mfr. Part No.				1	5
855-Z125-900		Z125-900	A	Hand Crimp Tool		
855-Z125-901		Z125-901	B	Positioner		
855-Z125-902		Z125-902	C	Insertion/Removal Tool		

HIROSE FFC/FPC Connectors



This product is RoHS compliant.



HIROSE ELECTRIC CO., LTD.

FH41 AND FH48 0.5MM CONNECTORS FOR SHIELDED FFC

Features:

- Compatibility with impedance control, shield FFC
- GND exclusive terminal
- Reliable connection operation
- Available for connection with impedance control, shield FFC

- High-speed transmission rates up to 3.75Gbps max.
- Robust lock structure
- FFC positioning mechanisms for highly reliable connections
- Flip-Lock rotating actuator assures reliable mechanical and electrical connection with FPC

Right Angle

MOUSER STOCK NO.	Hirose Part No.	Fig.	No. of Contacts	Dimensions (mm)			Price Each		
				A	B	C	1	25	100
798-FH41-28S-0.5SH05	FH41-28S-0.5SH(05)	A	28	18.0	13.5	5.45			
798-FH41-30S-0.5SH05	FH41-30S-0.5SH(05)	A	30	19.0	14.5	5.45			
798-FH41-31S-0.5SH05	FH41-31S-0.5SH(05)	A	31	19.5	15.0	5.45			
798-FH41-40S-0.5SH05	FH41-40S-0.5SH(05)	A	40	24.0	19.5	5.45			
798-FH41-50S-0.5SH05	FH41-50S-0.5SH(05)	A	50	29.0	24.5	5.45			
798-FH41-68S-0.5SH05	FH41-68S-0.5SH(05)	A	68	38.0	33.5	5.45			

Vertical

MOUSER STOCK NO.	Hirose Part No.	Fig.	No. of Contacts	Dimensions (mm)			Price Each		
				A	B	C	1	25	100
798-FH48-31S-0.5SV	FH48-31S-0.5SV	A	31	20.5	15.0	6.68			
798-FH48-40S-0.5SV	FH48-40S-0.5SV	B	40	25.0	19.5	6.68			
798-FH48-50S-0.5SV	FH48-50S-0.5SV	B	50	30.0	24.5	6.68			

BM10 SERIES - 0.4MM SMT FPC-TO-BOARD CONNECTORS

Vertical Mount Headers

MOUSER STOCK NO.	Hirose Part No.	Fig.	No. of Contacts	Stack Height (mm)	Contact Plating	Price Each		
						1	25	100
798-BM10B0610DP04V51	BM10B(0.6)-10DP-0.4V(51)	C	10	0.6	0.05μ Gold			
798-BM10B0820DP04V51	BM10B(0.8)-20DP-0.4V(51)	C	20	0.8	0.05μ Gold			
798-BM10B0860DP04V51	BM10B(0.8)-60DP-0.4V(51)	C	60	0.8	0.05μ Gold			

Vertical Mount Receptacles

MOUSER STOCK NO.	Hirose Part No.	Fig.	No. of Contacts	Stack Height (mm)	Contact Plating	Price Each		
						1	25	100
798-BM10NB0810DS4V51	BM10NB(0.8)-10DS-0.4V(51)	C	10	0.8	0.05μ Gold			
798-BM10NB0820DS4V51	BM10NB(0.8)-20DS-0.4V(51)	C	20	0.8	0.05μ Gold			

FH26 SERIES - 0.3MM PITCH FPC ZIF CONNECTORS

SMT Horizontal Mounting - Gold

MOUSER STOCK NO.	Hirose Part No.	Fig.	No. of Contacts	Dimensions: mm					Price Each		
				A	B	C	D	E	1	25	100
798-FH2613S0.3SHW05	FH26-13S-0.3SHW(05)	D	13	5.4	3.0	3.6	4.23	4.9			
798-FH2617S0.3SHW05	FH26-17S-0.3SHW(05)	D	17	6.6	4.2	4.8	5.43	6.1			
798-FH2621S0.3SHW05	FH26-21S-0.3SHW(05)	D	21	7.8	5.4	6.0	6.63	7.3			
798-FH2627S0.3SHW05	FH26-27S-0.3SHW(05)	D	27	9.6	7.2	7.8	8.43	9.1			
798-FH2635S0.3SHW05	FH26-35S-0.3SHW(05)	D	35	12.0	9.6	10.2	10.83	11.5			
798-FH2651S0.3SHW05	FH26-51S-0.3SHW(05)	D	51	16.8	14.4	15.0	15.63	16.3			
798-FH2671S0.3SHW05	FH26-71S-0.3SHW(05)	D	71	22.8	20.4	21.0	21.63	22.3			

FH28 SERIES - 0.5MM FFC/FPC ZIF CONNECTORS

Standard Type

MOUSER STOCK NO.	Hirose Part No.	Fig.	No. of Contacts	Dimensions: mm				Price Each		
				A	B	C	D	1	10	50
798-FH2840S0.5SH05	FH28-40S-0.5SH(05)	E	40	19.5	24.9	20.57	24.58			
798-FH2850S0.5SH05	FH28-50S-0.5SH(05)	E	50	24.5	29.9	25.57	29.58			
798-FH2855S0.5SH05	FH28-55S-0.5SH(05)	E	55	27	32.4	28.07	32.08			
798-FH2860S-0.5SH05	FH28-60S-0.5SH(05)	E	60	29.5	34.9	30.57	34.58			

Protuded Metal Fittings Type

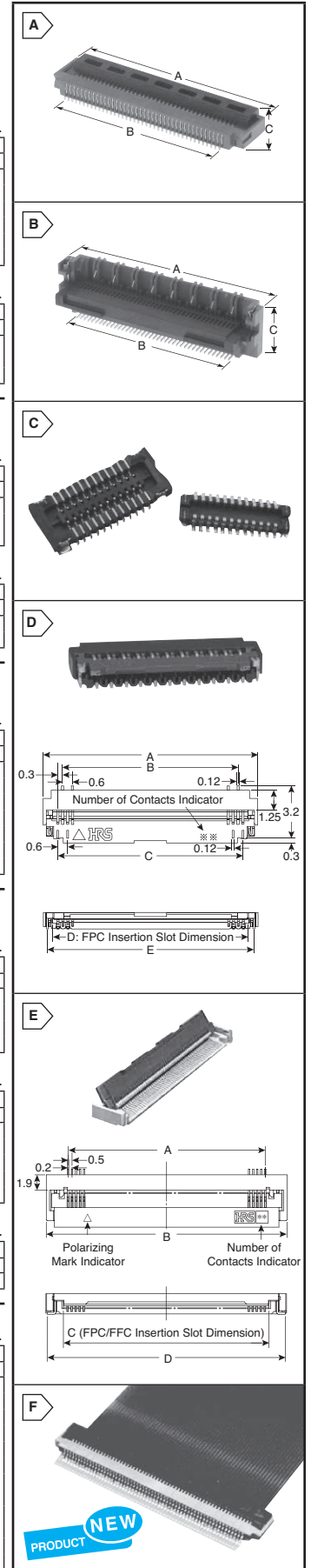
MOUSER STOCK NO.	Hirose Part No.	Fig.	No. of Contacts	Dimensions: mm				Price Each		
				A	B	C	D	1	10	50
798-FH28E20S0.5SH05	FH28E-20S-0.5SH(05)	E	20	9.5	14.9	10.57	15.7			
798-FH28E40S0.5SH05	FH28E-40S-0.5SH(05)	E	40	19.5	24.9	20.57	25.7			
798-FH28E50S0.5SH05	FH28E-50S-0.5SH(05)	E	50	24.5	29.9	25.57	30.7			
798-FH28E60S0.5SH05	FH28E-60S-0.5SH(05)	E	60	29.5	34.9	30.57	35.7			
798-FH28E68S0.5SH05	FH28E-68S-0.5SH(05)	E	68	33.5	38.9	34.57	39.7			

Space Saving Type

MOUSER STOCK NO.	Hirose Part No.	Fig.	No. of Contacts	Dimensions: mm				Price Each		
				A	B	C	D	1	10	50
798-FH28H80S0.5SH05	FH28H-80S-0.5SH(05)	E	80	39.5	44.9	40.57	45.7			

FH52 SERIES - 0.5MM PITCH ROBUST FFC/FPC CONNECTORS

MOUSER STOCK NO.	Hirose Part No.	Fig.	No. of Contacts	Pitch (mm)	Contact Plating	Price Each		
						1	25	50
798-FH528S0.5SH(99)	FH52-8S-0.5SH(99)	F	8	0.5	Gold			
798-FH5210S0.5SH(99)	FH52-10S-0.5SH(99)	F	10	0.5	Gold			
798-FH5211S0.5SH(99)	FH52-11S-0.5SH(99)	F	11	0.5	Gold			
798-FH5212S0.5SH(99)	FH52-12S-0.5SH(99)	F	12	0.5	Gold			
798-FH5215S0.5SH(99)	FH52-15S-0.5SH(99)	F	15	0.5	Gold			
798-FH5218S0.5SH(99)	FH52-18S-0.5SH(99)	F	18	0.5	Gold			
798-FH5225S0.5SH(99)	FH52-25S-0.5SH(99)	F	25	0.5	Gold			
798-FH5228S0.5SH(99)	FH52-28S-0.5SH(99)	F	28	0.5	Gold			
798-FH5232S0.5SH(99)	FH52-32S-0.5SH(99)	F	32	0.5	Gold			
798-FH5240S0.5SH(99)	FH52-40S-0.5SH(99)	F	40	0.5	Gold			
798-FH5250S0.5SH(99)	FH52-50S-0.5SH(99)	F	50	0.5	Gold			
798-FH5260S0.5SH(99)	FH52-60S-0.5SH(99)	F	60	0.5	Gold			



Hirose Rectangular Connectors



DF40 SERIES - 0.4MM CONTACT PITCH BOARD-TO-BOARD/BOARD-TO-FPC CONNECTORS

- Space saving with the world shortest depth of 3.38mm
- Long effective mating length: 0.45mm, the highest level for 1.5mm stacking height connectors
- Self alignment range: 0.33mm by guide ribs utilizing dead space
- Ribs provided inside of both header and socket connectors absorb shocks and stresses by fitting concave and convex
- Receptacle with nickel barriered contact and integral molding header prevent solder wicking



Receptacles

For quantities greater than listed, call for quote.

MOUSER STOCK NO.	Hirose Part No.	Fig.	No. of Contacts	Dimensions: mm			Price Each		
				A	B		1	25	100
1.5mm Stacking Height									
798-DF40C10DS0.4V51	DF40C-10DS-0.4V(51)	A	10	4.6	1.6				
798-DF40C20DS0.4V51	DF40C-20DS-0.4V(51)	A	20	6.6	3.6				
798-DF40C30DS0.4V51	DF40C-30DS-0.4V(51)	A	30	8.6	5.6				
798-DF40C40DS0.4V51	DF40C-40DS-0.4V(51)	A	40	10.6	7.6				
798-DF40C50DS0.4V51	DF40C-50DS-0.4V(51)	A	50	12.6	9.6				
798-DF40C80DS0.4V51	DF40C-80DS-0.4V(51)	A	80	18.6	15.6				
798-DF40C90DS0.4V51	DF40C-90DS-0.4V(51)	A	90	20.6	17.6				
798-DF40C100DS0.4V51	DF40C-100DS-0.4V(51)	A	100	22.6	19.6				
2.0mm Stacking Height									
798-DF40C2080DS04V51	DF40C(2.0)-80DS-0.4V(51)	A	80	18.6	15.6				
2.5mm Stacking Height									
798-DF40HC2560DS04V	DF40HC(2.5)-60DS-0.4V(51)	A	60	14.6	11.6				
3.0mm Stacking Height									
798-DF40HC3044DS04V	DF40HC(3.0)-44DS-0.4V(51)	A	44	11.4	8.4				
798-DF40HC3050DS04V	DF40HC(3.0)-50DS-0.4V(51)	A	50	12.6	9.6				
798-DF40HC3060DS04V	DF40HC(3.0)-60DS-0.4V(51)	A	60	14.6	11.6				
798-DF40HC3090DS4V51	DF40HC(3.0)-90DS-0.4V(51)	A	90	20.6	17.6				
3.5mm Stacking Height									
798-DF40HC3530DS04V	DF40HC(3.5)-30DS-0.4V(51)	A	30	8.6	5.6				
798-DF40HC3550DS04V	DF40HC(3.5)-50DS-0.4V(51)	A	50	12.6	9.6				
798-DF40HC3560DS04V	DF40HC(3.5)-60DS-0.4V(51)	A	60	14.6	11.6				
798-DF40HC3580DS4V51	DF40HC(3.5)-80DS-0.4V(51)	A	90	20.6	17.6				
4.0mm Stacking Height									
798-DF40HC4090DS4V51	DF40HC(4.0)-90DS-0.4V(51)	A	90	20.6	17.6				

Headers

For quantities greater than listed, call for quote.

MOUSER STOCK NO.	Hirose Part No.	Fig.	No. of Contacts	Dimensions: mm			Price Each		
				A	B		1	25	100
798-DF40C10DP0.4V51	DF40C-10DP-0.4V(51)	B	10	3.52	1.6				
798-DF40C20DP0.4V51	DF40C-20DP-0.4V(51)	B	20	5.52	3.6				
798-DF40C30DP0.4V51	DF40C-30DP-0.4V(51)	B	30	7.52	5.6				
798-DF40RC30DP04V51	DF40RC-30DP-0.4V(51)	B	30	7.52	5.6				
798-DF40C40DP0.4V51	DF40C-40DP-0.4V(51)	B	40	9.52	7.6				
798-DF40C44DP04V51	DF40C-44DP-0.4V(51)	B	44	10.32	8.4				
798-DF40C50DP0.4V51	DF40C-50DP-0.4V(51)	B	50	11.52	9.6				
798-DF40C60DP0.4V51	DF40C-60DP-0.4V(51)	B	60	13.52	11.6				
798-DF40C80DP0.4V51	DF40C-80DP-0.4V(51)	B	80	17.52	15.6				
798-DF40C90DP0.4V51	DF40C-90DP-0.4V(51)	B	90	19.52	17.6				
798-DF40C100DP0.4V51	DF40C-100DP-0.4V(51)	B	100	21.52	19.6				

FH40 SERIES - 0.5MM ABOVE THE BOARD CONNECTORS

- Easy and smooth operation
- LIF structure
- FPC/FFC side catcher
- Useable with horizontal FH28 via common FPC/FFC
- Robust lock structure
- Accepts standard FPC thickness

For quantities greater than listed, call for quote.

MOUSER STOCK NO.	Hirose Part No.	Fig.	No. of Contacts	Dimensions: mm			Price Each		
				A	B	C	1	25	100
798-FH40-10S-0.5SV	FH40-10S-0.5SV	C	10	5.57	8.2	4.5			
798-FH40-20S-0.5SV	FH40-20S-0.5SV	C	20	10.57	13.2	9.5			
798-FH40-24S-0.5SV	FH40-24S-0.5SV	C	24	12.57	15.2	11.5			
798-FH40-30S-0.5SV	FH40-30S-0.5SV	C	30	15.57	18.2	14.5			
798-FH40-40S-0.5SV	FH40-40S-0.5SV	C	40	20.57	23.2	19.5			
798-FH40-45S-0.5SV	FH40-45S-0.5SV	C	45	23.07	25.7	22.0			
798-FH40-50S-0.5SV	FH40-50S-0.5SV	C	50	25.57	28.2	24.5			
798-FH40-60S-0.5SV	FH40-60S-0.5SV	C	60	30.57	33.2	29.5			
798-FH40-64S-0.5SV	FH40-64S-0.5SV	C	64	32.57	35.2	31.5			

DF57 SERIES - SUBSTRATE TWIN (PAIR) CABLE SWING-LOCK CONNECTOR

- 1.2mm pitch, 1.4mm height, low profile connector
- "Swing lock": Both positive and friction locks are provided for cable pull force resistance
- High current capability; 2.5A (2-pin with AWG#28 cable)
- Solder wicking prevention
- High contact lance strength

Headers

For quantities greater than listed, call for quote.

MOUSER STOCK NO.	Hirose Part No.	Fig.	No. of Contacts	Dimensions: mm			Price Each		
				A	B	C	1	10	50
798-DF57-2P-1.2V21	DF57-2P-1.2V(21)	D	2	4.1	1.2	2.5			
798-DF57-3P-1.2V21	DF57-3P-1.2V(21)	D	3	5.3	2.4	3.7			
798-DF57-4P-1.2V21	DF57-4P-1.2V(21)	D	4	6.5	3.6	4.9			
798-DF57-5P-1.2V21	DF57-5P-1.2V(21)	D	5	7.7	4.8	6.1			
798-DF57-6P-1.2V21	DF57-6P-1.2V(21)	D	6	8.9	6.0	7.3			

Sockets

For quantities greater than listed, call for quote.

MOUSER STOCK NO.	Hirose Part No.	Fig.	No. of Contacts	Dimensions: mm			Price Each		
				A	B	C	1	10	50
798-DF57-2S-1.2C	DF57-2S-1.2C	E	2	2.98	2.6	1.2			
798-DF57-3S-1.2C	DF57-3S-1.2C	E	3	4.18	3.8	2.4			
798-DF57-4S-1.2C	DF57-4S-1.2C	E	4	5.38	5.0	3.6			
798-DF57-5S-1.2C	DF57-5S-1.2C	E	5	6.58	6.2	4.8			
798-DF57-6S-1.2C	DF57-6S-1.2C	E	6	7.78	7.4	6.0			

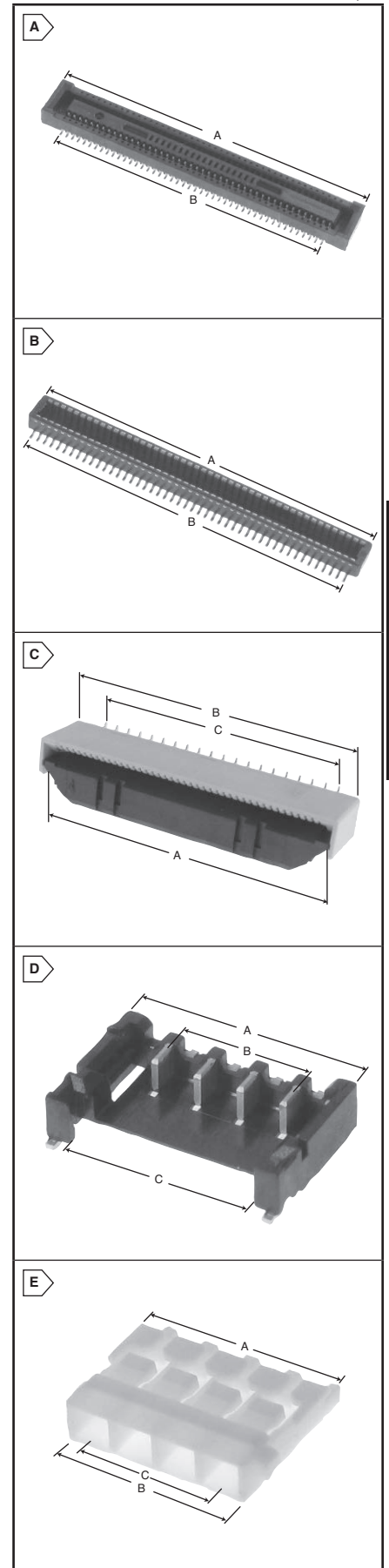
Contact

For quantities greater than listed, call for quote.

MOUSER STOCK NO.	Hirose Part No.	Finish	Price Each			
			1	10	50	100
798-DF57-2830SCF	DF57-2830SCF	Tin				

Tool

MOUSER STOCK NO.	Hirose Part No.	Description	Price Each
798-HT305/DF572830HC	HT305/DF57-2830HC	Hand Crimping Tool	



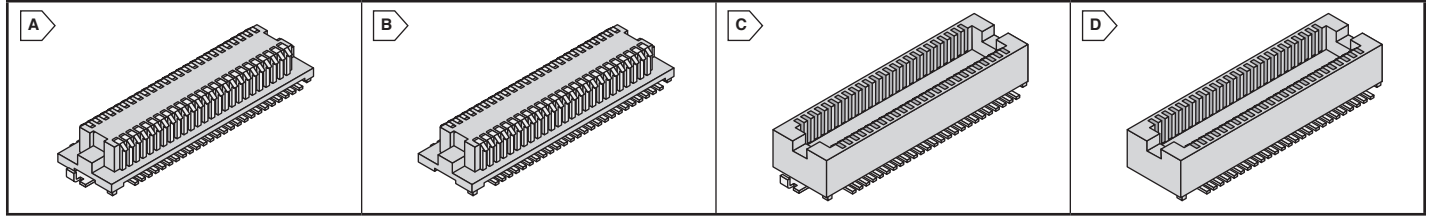
Rectangular Connectors Hirose

HIROSE 0.5mm SMT Board to Board Connectors



ROHS COMPLIANT This product is ROHS compliant.

HIROSE ELECTRIC CO., LTD.



DF12 SERIES

Receptacles

For quantities greater than listed, call for quote.

MOUSER STOCK NO.	Hirose Part No.	Fig.	No. of Contacts	Price Each	
				1	25
3.0mm Stack Height - With Metal Fitting - With Boss					
798-DF123010DS05V86	DF12(3.0)-10DS-0.5V(86)	A	10		
798-DF123014DS05V86	DF12(3.0)-14DS-0.5V(86)	A	14		
798-DF123020DS0.5V86	DF12(3.0)-20DS-0.5V(86)	A	20		
798-DF123030DS05V86	DF12(3.0)-30DS-0.5V(86)	A	30		
798-DF123032DS0.5V86	DF12(3.0)-32DS-0.5V(86)	A	32		
798-DF123036DS0.5V86	DF12(3.0)-36DS-0.5V(86)	A	36		
798-DF123040DS05V86	DF12(3.0)-40DS-0.5V(86)	A	40		
798-DF123050DS0.5V86	DF12(3.0)-50DS-0.5V(86)	A	50		
798-DF123060DS0.5V86	DF12(3.0)-60DS-0.5V(86)	A	60		
798-DF123080DS0.5V86	DF12(3.0)-80DS-0.5V(86)	A	80		
3.0mm Stack Height - With Metal Fitting - Without Boss					
798-DF12B3010DS05V86	DF12B(3.0)-10DS-0.5V(86)	A	10		
798-DF12B3014DS05V86	DF12B(3.0)-14DS-0.5V(86)	A	14		
798-DF12B3020DS05V86	DF12B(3.0)-20DS-0.5V(86)	A	20		
798-DF12B3030DS05V86	DF12B(3.0)-30DS-0.5V(86)	A	30		
798-DF12B3032DS05V86	DF12B(3.0)-32DS-0.5V(86)	A	32		
798-DF12B3036DS05V86	DF12B(3.0)-36DS-0.5V(86)	A	36		
798-DF12B3040DS05V86	DF12B(3.0)-40DS-0.5V(86)	A	40		
798-DF12B3050DS05V86	DF12B(3.0)-50DS-0.5V(86)	A	50		
798-DF12B3060DS05V86	DF12B(3.0)-60DS-0.5V(86)	A	60		
798-DF12B3080DS05V86	DF12B(3.0)-80DS-0.5V(86)	A	80		
3.0mm Stack Height - Without Metal Fitting - With Boss					
798-DF12A3010DS05V81	DF12A(3.0)-10DS-0.5V(81)	B	10		
798-DF12A3014DS05V81	DF12A(3.0)-14DS-0.5V(81)	B	14		
798-DF12A3020DS05V81	DF12A(3.0)-20DS-0.5V(81)	B	20		
798-DF12A3030DS05V81	DF12A(3.0)-30DS-0.5V(81)	B	30		
798-DF12A3032DS05V81	DF12A(3.0)-32DS-0.5V(81)	B	32		
798-DF12A3036DS05V81	DF12A(3.0)-36DS-0.5V(81)	B	36		
798-DF12A3040DS05V81	DF12A(3.0)-40DS-0.5V(81)	B	40		
798-DF12A3050DS05V81	DF12A(3.0)-50DS-0.5V(81)	B	50		
798-DF12A3060DS05V81	DF12A(3.0)-60DS-0.5V(81)	B	60		
798-DF12A3080DS05V81	DF12A(3.0)-80DS-0.5V(81)	B	80		
3.5 - 5.0mm Stack Height - With Metal Fitting - With Boss					
798-DF12-20DS-0.5V86	DF12-20DS-0.5V(86)	A	20		
798-DF12-30DS-0.5V86	DF12-30DS-0.5V(86)	A	30		
798-DF1232DS05V86	DF12-32DS-0.5V(86)	A	32		
798-DF12-36DS-0.5V86	DF12-36DS-0.5V(86)	A	36		
798-DF12-40DS-0.5V86	DF12-40DS-0.5V(86)	A	40		
798-DF12-50DS-0.5V86	DF12-50DS-0.5V(86)	A	50		
798-DF12-60DS-0.5V86	DF12-60DS-0.5V(86)	A	60		
3.5 - 5.0mm Stack Height - With Metal Fitting - Without Boss					
798-DF12B20DS05V86	DF12B-20DS-0.5V(86)	A	20		
798-DF12B30DS05V86	DF12B-30DS-0.5V(86)	A	30		
798-DF12B32DS05V86	DF12B-32DS-0.5V(86)	A	32		
798-DF12B36DS05V86	DF12B-36DS-0.5V(86)	A	36		
798-DF12B40DS-0.5V86	DF12B-40DS-0.5V(86)	A	40		
798-DF12B50DS-0.5V86	DF12B-50DS-0.5V(86)	A	50		
798-DF12B60DS-0.5V86	DF12B-60DS-0.5V(86)	A	60		
3.5 - 5.0mm Stack Height - Without Metal Fitting - With Boss					
798-DF12A20DS-0.5V81	DF12A-20DS-0.5V(81)	B	20		
798-DF12A30DS-0.5V81	DF12A-30DS-0.5V(81)	B	30		
798-DF12A36DS-0.5V81	DF12A-36DS-0.5V(81)	B	36		
798-DF12A40DS-0.5V81	DF12A-40DS-0.5V(81)	B	40		
798-DF12A50DS-0.5V81	DF12A-50DS-0.5V(81)	B	50		
798-DF12A60DS-0.5V81	DF12A-60DS-0.5V(81)	B	60		

Headers

For quantities greater than listed, call for quote.

MOUSER STOCK NO.	Hirose Part No.	Fig.	No. of Contacts	Price Each	
				1	25
3.0mm Stack Height - With Metal Fitting - With Boss					
798-DF123010DP05V86	DF12(3.0)-10DP-0.5V(86)	C	10		
798-DF123014DP05V86	DF12(3.0)-14DP-0.5V(86)	C	14		
798-DF123020DP0.5V86	DF12(3.0)-20DP-0.5V(86)	C	20		
798-DF123030DP05V86	DF12(3.0)-30DP-0.5V(86)	C	30		
798-DF123032DP0.5V86	DF12(3.0)-32DP-0.5V(86)	C	32		
798-DF123036DP0.5V86	DF12(3.0)-36DP-0.5V(86)	C	36		
798-DF123040DP05V86	DF12(3.0)-40DP-0.5V(86)	C	40		
798-DF123050DP0.5V86	DF12(3.0)-50DP-0.5V(86)	C	50		
798-DF123060DP0.5V86	DF12(3.0)-60DP-0.5V(86)	C	60		
798-DF123080DP0.5V86	DF12(3.0)-80DP-0.5V(86)	C	80		
3.0mm Stack Height - With Metal Fitting - Without Boss					
798-DF12B3010DP05V86	DF12B(3.0)-10DP-0.5V(86)	C	10		
798-DF12B3014DP05V86	DF12B(3.0)-14DP-0.5V(86)	C	14		
798-DF12B3020DP05V86	DF12B(3.0)-20DP-0.5V(86)	C	20		

Headers (Cont.)

For quantities greater than listed, call for quote.

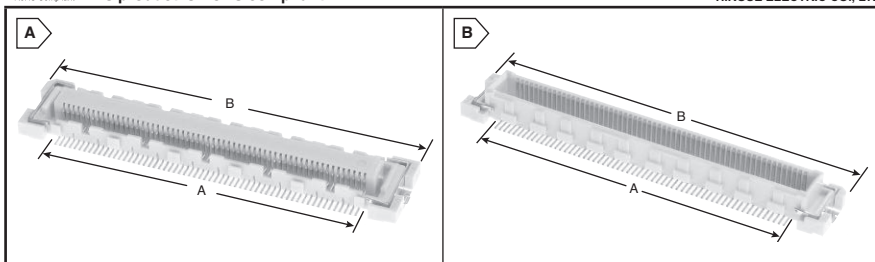
MOUSER STOCK NO.	Hirose Part No.	Fig.	No. of Contacts	Price Each	
				1	25
3.0mm Stack Height - With Metal Fitting - Without Boss (Cont.)					
798-DF12B3030DP05V86	DF12B(3.0)-30DP-0.5V(86)	C	30		
798-DF12B3032DP05V86	DF12B(3.0)-32DP-0.5V(86)	C	32		
798-DF12B3036DP05V86	DF12B(3.0)-36DP-0.5V(86)	C	36		
798-DF12B3040DP05V86	DF12B(3.0)-40DP-0.5V(86)	C	40		
798-DF12B3050DP05V86	DF12B(3.0)-50DP-0.5V(86)	C	50		
798-DF12B3060DP05V86	DF12B(3.0)-60DP-0.5V(86)	C	60		
798-DF12B3080DP05V86	DF12B(3.0)-80DP-0.5V(86)	C	80		
3.0mm Stack Height - Without Metal Fitting - With Boss					
798-DF12D3010DP05V81	DF12D(3.0)-10DP-0.5V(81)	D	10		
798-DF12D3014DP05V81	DF12D(3.0)-14DP-0.5V(81)	D	14		
798-DF12D3020DP05V81	DF12D(3.0)-20DP-0.5V(81)	D	20		
798-DF12D3030DP05V81	DF12D(3.0)-30DP-0.5V(81)	D	30		
798-DF12D3032DP05V81	DF12D(3.0)-32DP-0.5V(81)	D	32		
798-DF12D3036DP05V81	DF12D(3.0)-36DP-0.5V(81)	D	36		
798-DF12D3040DP05V81	DF12D(3.0)-40DP-0.5V(81)	D	40		
798-DF12D3050DP05V81	DF12D(3.0)-50DP-0.5V(81)	D	50		
798-DF12D3060DP05V81	DF12D(3.0)-60DP-0.5V(81)	D	60		
798-DF12D3080DP05V81	DF12D(3.0)-80DP-0.5V(81)	D	80		
3.5mm Stack Height - With Metal Fitting - With Boss					
798-DF123520DP0.5V86	DF12(3.5)-20DP-0.5V(86)	C	20		
798-DF123530DP0.5V86	DF12(3.5)-30DP-0.5V(86)	C	30		
798-DF123536DP0.5V86	DF12(3.5)-36DP-0.5V(86)	C	36		
798-DF123540DP0.5V86	DF12(3.5)-40DP-0.5V(86)	C	40		
798-DF123550DP0.5V86	DF12(3.5)-50DP-0.5V(86)	C	50		
798-DF123560DP0.5V86	DF12(3.5)-60DP-0.5V(86)	C	60		
3.5mm Stack Height - With Metal Fitting - Without Boss					
798-DF12B3520DP05V86	DF12B(3.5)-20DP-0.5V(86)	C	20		
798-DF12B3530DP05V86	DF12B(3.5)-30DP-0.5V(86)	C	30		
798-DF12B3536DP05V86	DF12B(3.5)-36DP-0.5V(86)	C	36		
798-DF12B3540DP05V86	DF12B(3.5)-40DP-0.5V(86)	C	40		
798-DF12B3550DP05V86	DF12B(3.5)-50DP-0.5V(86)	C	50		
798-DF12B3560DP05V86	DF12B(3.5)-60DP-0.5V(86)	C	60		
3.5mm Stack Height - Without Metal Fitting - With Boss					
798-DF12D3520DP05V81	DF12D(3.5)-20DP-0.5V(81)	D	20		
798-DF12D3530DP05V81	DF12D(3.5)-30DP-0.5V(81)	D	30		
798-DF12D3536DP05V81	DF12D(3.5)-36DP-0.5V(81)	D	36		
798-DF12D3540DP05V81	DF12D(3.5)-40DP-0.5V(81)	D	40		
798-DF12D3550DP05V81	DF12D(3.5)-50DP-0.5V(81)	D	50		
798-DF12D3560DP05V81	DF12D(3.5)-60DP-0.5V(81)	D	60		
4.0mm Stack Height - With Metal Fitting - With Boss					
798-DF124020DP05V86	DF12(4.0)-20DP-0.5V(86)	C	20		
798-DF124030DP05V86	DF12(4.0)-30DP-0.5V(86)	C	30		
798-DF124032DP05V86	DF12(4.0)-32DP-0.5V(86)	C	32		
798-DF124036DP0.5V86	DF12(4.0)-36DP-0.5V(86)	C	36		
798-DF124040DP0.5V86	DF12(4.0)-40DP-0.5V(86)	C	40		
798-DF124050DP0.5V86	DF12(4.0)-50DP-0.5V(86)	C	50		
798-DF124060DP0.5V86	DF12(4.0)-60DP-0.5V(86)	C	60		
4.0mm Stack Height - Without Metal Fitting - With Boss					
798-DF12D4020DP05V81	DF12D(4.0)-20DP-0.5V(81)	D	20		
798-DF12D4030DP05V81	DF12D(4.0)-30DP-0.5V(81)	D	30		
798-DF12D4032DP05V81	DF12D(4.0)-32DP-0.5V(81)	D	32		
798-DF12D4036DP05V81	DF12D(4.0)-36DP-0.5V(81)	D	36		
798-DF12D4040DP05V81	DF12D(4.0)-40DP-0.5V(81)	D	40		
798-DF12D4050DP05V81	DF12D(4.0)-50DP-0.5V(81)	D	50		
798-DF12D4060DP05V81	DF12D(4.0)-60DP-0.5V(81)	D	60		
5.0mm Stack Height - With Metal Fitting - With Boss					
798-DF125020DP0.5V86	DF12(5.0)-20DP-0.5V(86)	C	20		
798-DF125030DP0.5V86	DF12(5.0)-30DP-0.5V(86)	C	30		
798-DF125036DP05V86	DF12(5.0)-36DP-0.5V(86)	C	36		
798-DF125040DP05V86	DF12(5.0)-40DP-0.5V(86)	C	40		
798-DF125050DP0.5V86	DF12(5.0)-50DP-0.5V(86)	C	50		
798-DF125060DP0.5V86	DF12(5.0)-60DP-0.5V(86)	C	60		
5.0mm Stack Height - With Metal Fitting - Without Boss					
798-DF12B5020DP05V86	DF12B(5.0)-20DP-0.5V(86)	C	20		
798-DF12B5030DP05V86	DF12B(5.0)-30DP-0.5V(86)	C	30		
798-DF12B5036DP05V86	DF12B(5.0)-36DP-0.5V(86)	C	36		
798-DF12B5040DP05V86	DF12B(5.0)-40DP-0.5V(86)	C	40		
798-DF12B5050DP05V86	DF12B(5.0)-50DP-0.5V(86)	C	50		
798-DF12B5060DP05V86	DF12B(5.0)-60DP-0.5V(86)	C	60		
5.0mm Stack Height - Without Metal Fitting - With Boss					
798-DF12D5020DP05V81	DF12D(5.0)-20DP-0.5V(81)	D	20		
798-DF12D5030DP05V81	DF12D(5.0)-30DP-0.5V(81)	D	30		
798-DF12D5036DP05V81	DF12D(5.0)-36DP-0.5V(81)	D	36		
798-DF12D5040DP05V81	DF12D(5.0)-40DP-0.5V(81)	D	40		
798-DF12D5050DP05V81	DF12D(5.0)-50DP-0.5V(81)	D	50		
798-DF12D5060DP05V81	DF12D(5.0)-60DP-0.5V(81)	D	60		

HIROSE High Speed Connectors



HIROSE ELECTRIC CO., LTD.

RoHS Compliant This product is RoHS compliant.



FX10 SERIES - 0.5MM PITCH STACKING CONNECTORS

Features:

- Board to Board connector with or without grounding plates
- Excellent Grounding Performance
- Low crosstalk
- 0.5mm signal contact pitch for downsizing
- Wide varieties

Specifications:

- Operating Temperature: -55°C to +85°C
- Current Capacity: 0.3A
- Rated Voltage: 50V AC
- Withstanding Voltage: 150V AC, 1 minute
- Contact Resistance*: 1 60mΩ max. (100mA DC)
- Insulation Resistance: 100MΩ min. (100V DC)
- Durability: 50 cycles
- Contact resistance includes conductor resistance

Receptacles

For quantities greater than listed, call for quote.

MOUSER STOCK NO.	Hirose Part No.	Fig.	No. of Contacts		Dimensions: mm		Price Each			
			Signal	Ground	A	B	1	25	100	200
Without Ground Plate, With Guideposts										
798-FX10A120SSV	FX10A-120S-SV	A	120	-	29.5	37.1				
798-FX10A144SSV	FX10A-144S-SV	A	144	-	35.5	43.1				
798-FX10A168SSV	FX10A-168S-SV	A	168	-	41.5	49.1				
Without Ground Plate, Without Guideposts										
798-FX10B96SSV	FX10B-96S-SV	A	96	-	23.5	31.1				
798-FX10B120SSV	FX10B-120S-SV	A	120	-	29.5	37.1				
798-FX10B144SSV	FX10B-144S-SV	A	144	-	35.5	43.1				
798-FX10B168SSV	FX10B-168S-SV	A	168	-	41.5	49.1				
With Ground Plate, Without Guideposts										
798-FX10B100S10SV71	FX10B-100S/10-SV(71)	A	100	10	29.5	37.1				

Headers

For quantities greater than listed, call for quote.

MOUSER STOCK NO.	Hirose Part No.	Fig.	No. of Contacts		Dimensions: mm		Price Each			
			Signal	Ground	A	B	1	25	100	200
4mm Stacking Height - Without Ground Plate, With Guideposts										
798-FX10A96PSV71	FX10A-96P-SV(71)	B	96	-	23.5	31.1				
798-FX10A120PSV71	FX10A-120P-SV(71)	B	120	-	29.5	37.1				
798-FX10A144PSV71	FX10A-144P-SV(71)	B	144	-	35.5	43.1				
798-FX10A168PSV71	FX10A-168P-SV(71)	B	168	-	41.5	49.1				
4mm Stacking Height - Without Ground Plate, Without Guideposts										
798-FX10B120PSV71	FX10B-120P-SV(71)	B	120	-	29.5	37.1				
798-FX10B144PSV71	FX10B-144P-SV(71)	B	144	-	35.5	43.1				
798-FX10B168PSV71	FX10B-168P-SV(71)	B	168	-	41.5	49.1				
4mm Stacking Height - With Ground Plate, Without Guideposts										
798-FX10B80P8SV71	FX10B-80P/8-SV(71)	B	80	8	23.5	31.1				
798-FX10B100P10SV71	FX10B-100P/10-SV(71)	B	100	10	29.5	37.1				
798-FX10B120P12SV71	FX10B-120P/12-SV(71)	B	120	12	35.5	43.1				
5mm Stacking Height - Without Ground Plate, With Guideposts										
798-FX10A120PSV171	FX10A-120P-SV1(71)	B	120	-	29.5	37.1				
798-FX10A144PSV171	FX10A-144P-SV1(71)	B	144	-	35.5	43.1				
798-FX10A168PSV171	FX10A-168P-SV1(71)	B	168	-	41.5	49.1				
5mm Stacking Height - Without Ground Plate, Without Guideposts										
798-FX10B96PSV171	FX10B-96P-SV1(71)	B	96	-	23.5	31.1				
798-FX10B120PSV171	FX10B-120P-SV1(71)	B	120	-	29.5	37.1				
5mm Stacking Height - With Ground Plate, Without Guideposts										
798-FX10B80P8SV171	FX10B-80P/8-SV1(71)	B	80	8	23.5	31.1				
798-FX10B140P14SV171	FX10B-140P/14-SV1(71)	B	140	14	41.5	49.1				

Rectangular Connectors Hirose

FX10 SERIES - 10+GBPS 0.5MM PITCH STACKING CONNECTORS

Receptacles

For quantities greater than listed, call for quote.

MOUSER STOCK NO.	Hirose Part No.	Fig.	No. of Contacts		Dimensions: mm		Price Each			
			Signal	Ground	A	B	1	25	100	200
Without Ground Plate, With Guideposts										
798-FX10A-168S-SV85	FX10A-168S-SV(85)	A	168	-	41.5	49.1				
Without Ground Plate, Without Guideposts										
798-FX10B-168S-SV85	FX10B-168S-SV(85)	A	168	-	41.5	49.1				

Headers

For quantities greater than listed, call for quote.

MOUSER STOCK NO.	Hirose Part No.	Fig.	No. of Contacts		Dimensions: mm		Stack Height (mm)	Price Each			
			Signal	Ground	A	B		1	25	100	200
Without Ground Plate, With Guideposts											
798-FX10A-168P-SV85	FX10A-168P-SV(85)	B	168	-	41.5	49.1	3.5				
798-FX10A-168P-SV185	FX10A-168P-SV1(85)	B	168	-	41.5	49.1	4.5				
798-FX10A-168P-SV285	FX10A-168P-SV2(85)	B	168	-	41.5	49.1	5.25				
798-FX10A-168P-SV385	FX10A-168P-SV3(85)	B	168	-	41.5	49.1	6.25				
798-FX10A-168P-SV485	FX10A-168P-SV4(85)	B	168	-	41.5	49.1	7.25				
Without Ground Plate, Without Guideposts											
798-FX10B-168P-SV85	FX10B-168P-SV(85)	B	168	-	41.5	49.1	3.5				
798-FX10B-168P-SV185	FX10B-168P-SV1(85)	B	168	-	41.5	49.1	4.5				
798-FX10B-168P-SV285	FX10B-168P-SV2(85)	B	168	-	41.5	49.1	5.25				
798-FX10B-168P-SV385	FX10B-168P-SV3(85)	B	168	-	41.5	49.1	6.25				
798-FX10B-168P-SV485	FX10B-168P-SV4(85)	B	168	-	41.5	49.1	7.25				

HIROSE High Speed Connectors



This product is RoHS compliant.



HIROSE ELECTRIC CO., LTD.

FX8, FX8C SERIES - 0.6MM BOARD-TO-BOARD CONNECTORS

Features:

- Stacking height 3mm to 16mm available
- SMT complianarity
- Mating guide
- Mis-insertion prevention

Applications:

- Notebook PC
- Business equipment
- Other devices that require miniaturization or light weight in design

Specifications:

- Current rating: 0.4A
- Voltage rating: 100V AC
- Operating Temperature Range: -55°C to +85°C
- FX8 only mates with FX8
- FX8C only mates with FX8C



RoHS Compliant

Receptacles

MOUSER STOCK NO.	Hirose Part No.	Fig.	No. of Contacts	Dimensions (mm)		Price Each		
				A	B	1	25	100
Vertical - Standard Height								
798-FX840SSV21	FX8-40S-SV(21)	A	40	18.6	17.00			
798-FX8-60S-SV21	FX8-60S-SV(21)	A	60	24.6	23.05			
798-FX8C60SSV91	FX8C-60S-SV(91)	A	60	24.6	23.05			
798-FX8C80SSV91	FX8C-80S-SV(91)	A	80	30.6	29.05			
798-FX8-100S-SV21	FX8-100S-SV(21)	A	100	36.6	35.05			
798-FX8-120S-SV21	FX8-120S-SV(21)	A	120	42.6	41.05			
798-FX8-140S-SV21	FX8-140S-SV(21)	A	140	48.6	47.05			
798-FX8C140SSV91	FX8C-140S-SV(91)	A	140	48.6	47.05			
Vertical - Standard Height +5mm								
798-FX8C60SSV591	FX8C-60S-SV5(91)	A	60	24.6	23.05			
798-FX8C80SSV571	FX8C-80S-SV5(71)	A	80	30.6	29.05			
798-FX8C80SSV591	FX8C-80S-SV5(91)	A	80	30.6	29.05			
798-FX8C100SSV591	FX8C-100S-SV5(91)	A	100	36.6	35.05			
798-FX8C120SSV591	FX8C-120S-SV5(91)	A	120	42.6	41.05			
798-FX8C140SSV591	FX8C-140S-SV5(91)	A	140	48.6	47.05			

Headers

798-FX840PSV91	FX8-40P-SV(91)	B	40	18.6	17.00			
798-FX8-60P-SV91	FX8-60P-SV(91)	B	60	24.6	23.0			
798-FX8C60PSV91	FX8C-60P-SV(91)	B	60	24.6	23.0			
798-FX8-80P-SV91	FX8-80P-SV(91)	B	80	30.6	29.0			
798-FX8C80PSV91	FX8C-80P-SV(91)	B	80	30.6	29.0			
798-FX8C120PSV91	FX8C-120P-SV(91)	B	120	42.6	41.0			
798-FX8-140P-SV91	FX8-140P-SV(91)	B	140	48.6	47.0			
798-FX8C140PSV91	FX8C-140P-SV(91)	B	140	48.6	47.0			
Vertical - Standard Height +1mm								
798-FX860PSV191	FX8-60P-SV1(91)	B	60	24.6	23.0			
798-FX8C60PSV191	FX8C-60P-SV1(91)	B	60	24.6	23.0			
798-FX880PSV191	FX8-80P-SV1(91)	B	80	30.6	29.0			
798-FX8100PSV191	FX8-100P-SV1(91)	B	100	36.6	35.0			
798-FX8C100PSV191	FX8C-100P-SV1(91)	B	100	36.6	35.0			
798-FX8120PSV191	FX8-120P-SV1(91)	B	120	42.6	41.0			
798-FX8C120PSV191	FX8C-120P-SV1(91)	B	120	42.6	41.0			
798-FX8140PSV191	FX8-140P-SV1(91)	B	140	48.6	47.0			
798-FX8C140PSV191	FX8C-140P-SV1(91)	B	140	48.6	47.0			
Vertical - Standard Height +2mm								
798-FX8C100PSV291	FX8C-100P-SV2(91)	B	100	36.6	35.0			
798-FX8C120PSV291	FX8C-120P-SV2(91)	B	120	42.6	41.0			
Vertical - Standard Height +4mm								
798-FX8C80PSV491	FX8C-80P-SV4(91)	B	80	24.6	23.0			
798-FX8C80PSV491	FX8C-80P-SV4(91)	B	80	30.6	29.0			
798-FX8C100PSV491	FX8C-100P-SV4(91)	B	100	36.6	35.0			
Vertical - Standard Height +6mm								
798-FX8C60PSV691	FX8C-60P-SV6(91)	B	60	24.6	23.0			
798-FX8C80PSV691	FX8C-80P-SV6(91)	B	80	30.6	29.0			
798-FX8C100PSV691	FX8C-100P-SV6(91)	B	100	36.6	35.0			
798-FX8C120PSV691	FX8C-120P-SV6(91)	B	120	42.6	41.0			

FX18 SERIES - HIGH SPEED BOARD TO BOARD CONNECTORS

Features:

- High-speed transmission capability up to 10Gbps
- MF contact (multi functional contact) as:
 - ground contact to enhance grounding
 - power supply contacts up to 12A to reduce required pin counts
 - 3-step sequential contacts for grounding and detection
- Effective mating length of signal contact: 2.0mm
- Large mating guide for easy mating
- Smooth insertion
- Coplanar and vertical mating styles are available



RoHS Compliant

Receptacles

MOUSER STOCK NO.	Hirose Part No.	Fig.	No. of Contacts	Stack Height (mm)	Dimensions (mm)		Price Each		
					A	B	1	25	100
Right Angle									
798-FX18-40S-0.8SH	FX18-40S-0.8SH	C	40	-	15.2	27.9			
798-FX18-60S-0.8SH	FX18-60S-0.8SH	C	60	-	23.2	35.9			
798-FX1880S08SH	FX18-80S-0.8SH	C	80	-	31.2	43.9			
798-FX18100S08SH	FX18-100S-0.8SH	C	100	-	39.2	51.9			
798-FX18-120S-0.8SH	FX18-120S-0.8SH	C	120	-	47.2	59.9			
798-FX18140S08SH	FX18-140S-0.8SH	C	140	-	55.2	67.9			
Straight									
798-FX1840S08SV15	FX18-40S-0.8SV15	D	40	15	25.0	27.9			
798-FX1840S08SV20	FX18-40S-0.8SV20	D	40	20	25.0	27.9			
798-FX1860S08SV15	FX18-60S-0.8SV15	D	60	15	33.0	35.9			
798-FX1860S08SV20	FX18-60S-0.8SV20	D	60	20	33.0	35.9			
798-FX1880S08SV15	FX18-80S-0.8SV15	D	80	15	41.0	43.9			
798-FX1880S08SV20	FX18-80S-0.8SV20	D	80	20	41.0	43.9			
798-FX18120S08SV15	FX18-120S-0.8SV15	D	120	15	57.0	59.9			
798-FX18120S08SV20	FX18-120S-0.8SV20	D	120	20	57.0	59.9			

Headers

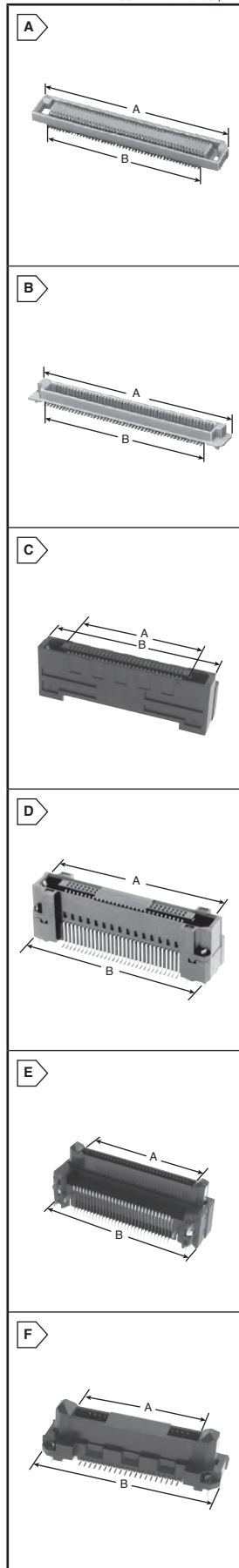
Right Angle									
798-FX18-40P-0.8SH	FX18-40P-0.8SH	E	40	-	15.2	27.9			
798-FX18-60P-0.8SH	FX18-60P-0.8SH	E	60	-	23.2	35.9			
798-FX1880P08SH	FX18-80P-0.8SH	E	80	-	31.2	43.9			
798-FX18100P08SH	FX18-100P-0.8SH	E	100	-	39.2	51.9			
798-FX18-120P-0.8SH	FX18-120P-0.8SH	E	120	-	47.2	59.9			
798-FX18140P08SH	FX18-140P-0.8SH	E	140	-	55.2	67.9			
Straight									
798-FX18-40P-0.8SV	FX18-40P-0.8SV	F	40	-	15.2	27.9			
798-FX1840P08SV10	FX18-40P-0.8SV10	F	40	10	15.2	27.9			
798-FX18-60P-0.8SV	FX18-60P-0.8SV	F	60	-	23.2	35.9			
798-FX1860P08SV10	FX18-60P-0.8SV10	F	60	10	23.2	35.9			
798-FX1880P08SV	FX18-80P-0.8SV	F	80	-	31.2	43.9			
798-FX1880P08SV10	FX18-80P-0.8SV10	F	80	10	31.2	43.9			
798-FX18-120P-0.8SV	FX18-120P-0.8SV	F	120	-	47.2	59.9			
798-FX18120P08SV10	FX18-120P-0.8SV10	F	120	10	47.2	59.9			

© Copyright 2014 Mouser Electronics

For current pricing, visit mouser.com

EUsales@mouser.com

© Copyright 2014 Mouser Electronics



HIROSE High Speed Connectors



This product is RoHS compliant.



HIROSE ELECTRIC CO., LTD.

FX20 SERIES 0.5 MM PITCH FLOATING STACKING BOARD TO BOARD CONNECTORS

Features:

- Floating range: X direction: ± 0.6 to 0.8mm, Y direction: ± 0.6mm
- The Double beam contact design ensures a highly reliable contact
- Effective contact length of 1.5mm
- No restrictions on pattern area
- Capability of automatic mounting
- Self aligning and self-guiding



Receptacles

For quantities greater than listed, call for quote.

MOUSER STOCK NO.	Hirose Part No.	Fig.	No. of Positions	Dimensions: mm		Price Each		
				A	B	1	25	100
798-FX20-60S0.5SV	FX20-60S-0.5SV	A	60	14.5	27.4			
798-FX20-60S0.5SV10	FX20-60S-0.5SV10	B	60	14.5	27.4			
798-FX20-120S0.5SV	FX20-120S-0.5SV	A	120	29.5	42.4			
798-FX20-120S0.5SV10	FX20-120S-0.5SV10	B	120	29.5	42.4			

Headers

For quantities greater than listed, call for quote.

MOUSER STOCK NO.	Hirose Part No.	Fig.	No. of Positions	Dimensions: mm		Price Each		
				A	B	1	25	100
798-FX20-60P0.5SV15	FX20-60P-0.5SV15	C	60	14.5	27.4			
798-FX20-60P0.5SV20	FX20-60P-0.5SV20	D	60	14.5	27.4			
798-FX20-120P0.5SV15	FX20-120P-0.5SV15	C	120	29.5	42.4			
798-FX20-120P0.5SV20	FX20-120P-0.5SV20	D	120	29.5	42.4			

FX11 SERIES 0.5MM PITCH BOARD-TO-BOARD CONNECTORS

Features:

- The transmission characteristics have been improved through a design that fixes ground plates to both sides of the header and receptacle
- Signal and ground are arranged in a ratio of 10:1 to stabilize the ground
- The secured mating length of the contact block is 0.55mm

Receptacles

For quantities greater than listed, call for quote.

MOUSER STOCK NO.	Hirose Part No.	Fig.	Signal	Ground	Ground Plate	Dimensions: mm		Price Each		
						A	B	1	25	100
798-FX11LA60S6SV71	FX11LA-60S/6-SV(71)	E	60	6	with	17.5	25			
798-FX11LA80S8SV71	FX11LA-80S/8-SV(71)	E	80	8	with	23.5	31			
798-FX11LA92SSV21	FX11LA-92S-SV(21)	E	92	-	without	24	31			
798-FX11LA100S10SV71	FX11LA-100S/10-SV(71)	E	100	10	with	29.5	37			
798-FX11LA120S12SV71	FX11LA-120S/12-SV(71)	E	120	12	with	35.5	43			
* 798-FX11LB120S12SV71	FX11LB-120S/12-SV(71)	E	120	12	with	35.5	43			

* Without Guideposts

Headers

MOUSER STOCK NO.	Hirose Part No.	Fig.	Signal	Ground	Ground Plate	Dimensions: mm		Price Each		
						A	B	1	25	100
798-FX11LA60P6SV71	FX11LA-60P/6-SV(71)	F	60	6	with	17.5	25			
798-FX11LA80P8SV71	FX11LA-80P/8-SV(71)	F	80	8	with	23.5	31			
798-FX11LA92PSV21	FX11LA-92P-SV(21)	F	92	-	without	24	31			
798-FX11LA100P10SV71	FX11LA-100P/10-SV(71)	F	100	10	with	29.5	37			
798-FX11LA120P12SV71	FX11LA-120P/12-SV(71)	F	120	12	with	35.5	43			
* 798-FX11LB120P12SV71	FX11LB-120P/12-SV(71)	F	120	12	with	35.5	43			

* Without Guideposts

IT3 HIGH-SPEED MEZZANINE CONNECTORS

Features:

- Handles speeds over 10+Gbps
- Differential, single ended, and power
- Low mating/extracting forces
- Wide misalignment tolerances
- Stacking heights from 15 to 40mm
- Both SnPb and Pb-free are available
- Excellent reflow solderability



SnPb Receptacle

MOUSER STOCK NO.	Hirose Part No.	Fig.	No. of Pos.	Type	Dimensions: mm		Price Each			
					A	B	1	25	100	250
798-IT3M-300S-BGA57	IT3M-300S-BGA(57)	G	300	Mounting	56.0	19.2				

Pb Free Receptacles

MOUSER STOCK NO.	Hirose Part No.	Fig.	No. of Pos.	Type	Dimensions: mm		Price Each			
					A	B	1	25	100	250
798-IT3D-200S-BGA37	IT3D-200S-BGA(37)	H	200	Mating	38.5	19.2				
798-IT3M-200S-BGA37	IT3M-200S-BGA(37)	G	200	Mounting	38.5	19.2				
798-IT3D-300S-BGA37	IT3D-300S-BGA(37)	H	300	Mating	56.0	19.2				
798-IT3M-300S-BGA37	IT3M-300S-BGA(37)	G	300	Mounting	56.0	19.2				

Interposers

For quantities greater than listed, call for quote.

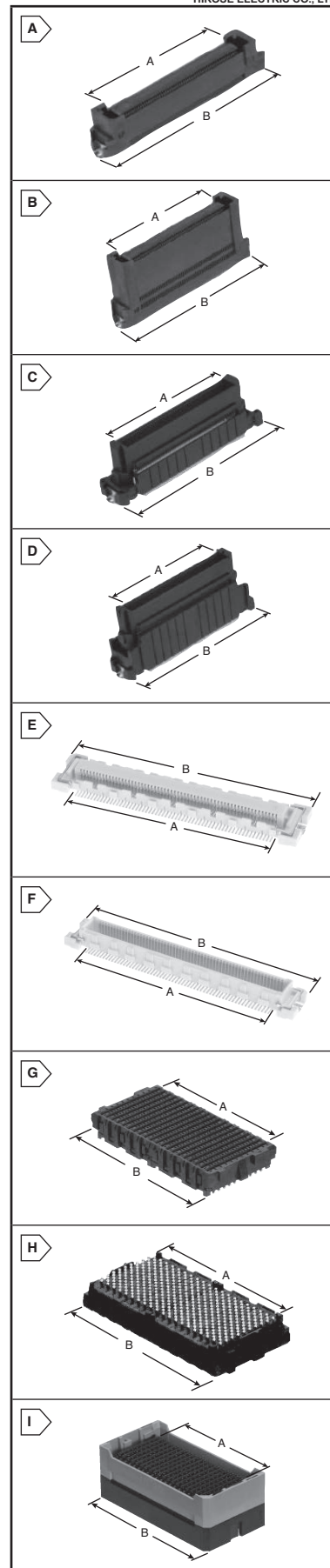
MOUSER STOCK NO.	Hirose Part No.	Fig.	No. of Pos.	Stack Height (mm)	Dimensions: mm		Price Each			
					A ± .5	B ± .5	1	25	100	250
798-IT3-300P-17H03	IT3-300P-17H(03)	I	300	17	59.0	21.0				
798-IT3-300P-20H03	IT3-300P-20H(03)	I	300	20	18.8	21.0				
798-IT3-200P-25H03	IT3-200P-25H(03)	I	200	25	23.8	21.0				
798-IT3-300P-26H03	IT3-300P-26H(03)	I	300	26	24.8	21.0				

© Copyright 2014 Mouser Electronics

For current pricing, visit mouser.com

EUsales@mouser.com

1543



Rectangular Connectors Hirose

HIROSE FPC/FFC Connectors



HIROSE ELECTRIC CO., LTD.

Common Features:

- Ease of Use and Space Savings: The Flip-lock design allows for the placement of 2 or more connectors side by side as there is no need to waste additional space for a side latch
- Strengthened Flip-lock Actuator: The standard Flip-lock requires only 2.0mm height above the board. A strengthened lock lever is available which only requires an additional 0.4mm
- Supports Thin FPC (0.18mm): Does not require double-sided FPC to have any additional strengthening plate or stiffener and can therefore support a thickness of as little as 0.18mm ±0.05
- Prevention of Solder Bridge: Excess solder cavity absorbs excessive solder and avoids solder bridging
- Three different assembly types: Top & Bottom Contact and Vertical Mount

Common Specifications:

- Current Rating: 0.5A
- Voltage Rating: 50VAC
- Operating Temperature: -40°C to +70°C

Materials:

- Insulator: Polyamide, LCP, Beige, UL94V-0
- Actuator: PPS, Dark Brown, UL94V-0
- Metal Fittings: Brass-Tin Plated

Applications:

- Notebook computers
- Printers
- PDAs
- Digital cameras
- Other compact devices for interconnecting the main circuit board with the LCD, HDD or other device

0.5MM - RIGHT ANGLE - GOLD

For quantities greater than listed, call for quote.

MOUSER STOCK NO.	Hirose Part No.	Fig.	No. of Circuits	Dimensions: mm					Price Each		
				A	B	C	D	E	1	25	100
Bottom Contact											
798-FH12-6S-0.5SH55	FH12-6S-0.5SH(55)	A	6	2.5	6.1	7.1	3.57	-			
798-FH12-10S-0.5SH55	FH12-10S-0.5SH(55)	A	10	4.5	8.1	9.1	5.57	-			
798-FH12-11S-0.5SH55	FH12-11S-0.5SH(55)	A	11	5.0	8.6	9.6	6.07	-			
798-FH12-12S-0.5SH55	FH12-12S-0.5SH(55)	A	12	5.5	9.1	10.1	6.57	-			
798-FH12-14S-0.5SH55	FH12-14S-0.5SH(55)	A	14	6.5	10.1	11.1	7.57	-			
798-FH12-15S-0.5SH55	FH12-15S-0.5SH(55)	A	15	7.0	10.6	11.6	8.07	-			
798-FH12-16S-0.5SH55	FH12-16S-0.5SH(55)	A	16	7.5	11.1	12.1	8.57	-			
798-FH12-18S-0.5SH55	FH12-18S-0.5SH(55)	A	18	8.5	12.1	13.1	9.57	-			
798-FH12-20S-0.5SH55	FH12-20S-0.5SH(55)	A	20	9.5	13.1	14.1	10.57	-			
798-FH12-22S-0.5SH55	FH12-22S-0.5SH(55)	A	22	10.5	14.1	15.1	11.57	-			
798-FH12-24S-0.5SH55	FH12-24S-0.5SH(55)	A	24	11.5	15.1	16.1	12.57	-			
798-FH12-26S-0.5SH55	FH12-26S-0.5SH(55)	A	26	12.5	16.1	17.1	13.57	-			
798-FH12-28S-0.5SH55	FH12-28S-0.5SH(55)	A	28	13.5	17.1	18.1	14.57	-			
798-FH12-30S-0.5SH55	FH12-30S-0.5SH(55)	A	30	14.5	18.1	19.1	15.57	-			
798-FH12-32S-0.5SH55	FH12-32S-0.5SH(55)	A	32	15.5	19.1	20.1	16.57	-			
798-FH12-33S-0.5SH55	FH12-33S-0.5SH(55)	A	33	16.0	19.6	20.6	17.07	-			
798-FH12-34S-0.5SH55	FH12-34S-0.5SH(55)	A	34	16.05	20.01	21.1	17.57	-			
798-FH12-36S-0.5SH55	FH12-36S-0.5SH(55)	A	36	17.5	21.1	22.1	18.57	-			
798-FH12-40S-0.5SH55	FH12-40S-0.5SH(55)	A	40	19.5	23.1	24.1	20.57	-			
798-FH12-45S-0.5SH55	FH12-45S-0.5SH(55)	A	45	22.0	25.6	26.6	23.07	-			
798-FH12-50S-0.5SH55	FH12-50S-0.5SH(55)	A	50	24.5	28.1	29.1	25.57	-			
Bottom Contact With Strengthened Lock Lever											
798-FH12S-30S-0.5SH55	FH12S-30S-0.5SH(55)	A	30	14.5	18.1	19.1	15.57	-			
798-FH12S-40S-0.5SH55	FH12S-40S-0.5SH(55)	A	40	19.5	23.1	24.1	20.57	-			
798-FH12S-45S-0.5SH55	FH12S-45S-0.5SH(55)	A	45	22.0	25.6	26.6	23.07	-			
Top Contact											
798-FH12A-10S0.5SH55	FH12A-10S-0.5SH(55)	B	10	9.1	8.35	4.5	9.5	5.57			
798-FH12A-12S0.5SH55	FH12A-12S-0.5SH(55)	B	12	10.1	9.35	5.5	10.5	6.57			
798-FH12A-16S-0.5SH55	FH12A-16S-0.5SH(55)	B	16	12.1	11.4	7.5	12.5	8.57			
798-FH12A-18S0.5SH55	FH12A-18S-0.5SH(55)	B	18	13.1	12.35	8.5	13.5	9.57			
798-FH12A-20S0.5SH55	FH12A-20S-0.5SH(55)	B	20	14.1	13.35	9.5	14.5	10.57			
798-FH12A-24S0.5SH55	FH12A-24S-0.5SH(55)	B	24	16.1	15.35	11.5	16.5	12.57			
798-FH12A-30S0.5SH55	FH12A-30S-0.5SH(55)	B	30	19.1	18.35	14.5	19.5	15.57			
798-FH12A-33S0.5SH55	FH12A-33S-0.5SH(55)	B	33	20.6	19.85	16.0	21.0	17.07			
798-FH12A-36S0.5SH55	FH12A-36S-0.5SH(55)	B	36	22.1	21.35	17.5	22.5	18.57			
798-FH12A-40S0.5SH55	FH12A-40S-0.5SH(55)	B	40	24.1	23.35	19.5	24.5	20.57			
798-FH12A-50S0.5SH55	FH12A-50S-0.5SH(55)	B	50	29.1	28.35	24.5	29.5	25.57			

0.5MM - VERTICAL MOUNT - GOLD

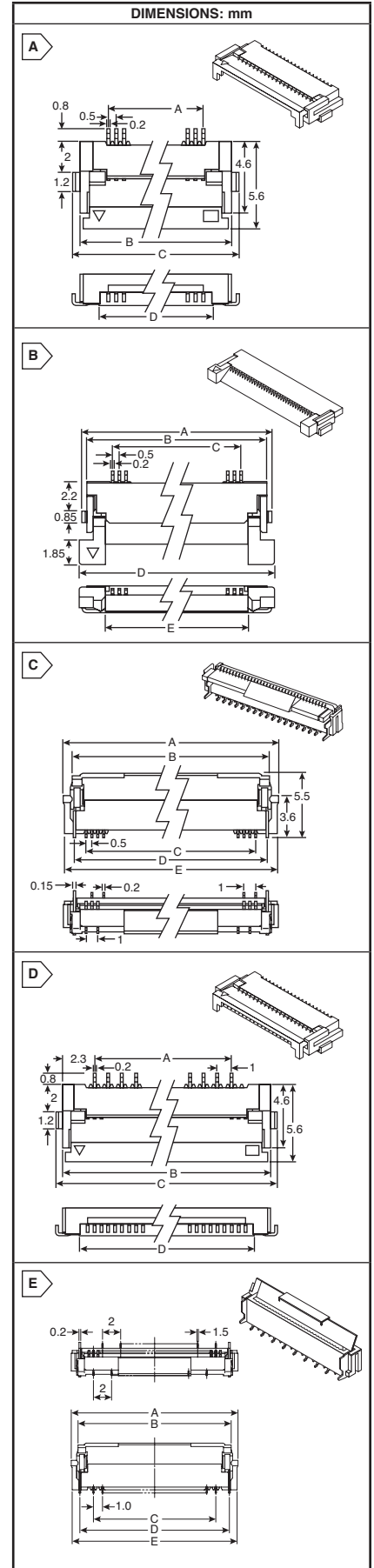
798-FH12-10S-0.5SV55	FH12-10S-0.5SV(55)	C	10	8.4	6.9	4.5	6.5	8.2		
798-FH12-12S-0.5SV55	FH12-12S-0.5SV(55)	C	12	9.4	7.9	5.5	7.5	9.2		
798-FH12-15S-0.5SV55	FH12-15S-0.5SV(55)	C	15	10.9	9.4	7.0	9.0	10.7		
798-FH12-16S-0.5SV55	FH12-16S-0.5SV(55)	C	16	11.4	9.9	7.5	9.5	11.2		
798-FH12-18S-0.5SV55	FH12-18S-0.5SV(55)	C	18	12.4	10.9	8.5	10.5	12.2		
798-FH12-20S-0.5SV55	FH12-20S-0.5SV(55)	C	20	13.4	11.9	9.5	11.5	13.2		
798-FH12-22S-0.5SV55	FH12-22S-0.5SV(55)	C	22	14.4	12.9	10.5	12.5	14.2		
798-FH12-24S-0.5SV55	FH12-24S-0.5SV(55)	C	24	15.4	13.9	11.5	13.5	15.2		
798-FH12-26S-0.5SV55	FH12-26S-0.5SV(55)	C	26	16.4	14.9	12.5	14.5	16.2		
798-FH12-30S-0.5SV55	FH12-30S-0.5SV(55)	C	30	18.4	16.9	14.5	16.5	18.2		
798-FH12-33S-0.5SV55	FH12-33S-0.5SV(55)	C	33	19.9	18.4	16.0	18.0	19.7		
798-FH12-36S-0.5SV55	FH12-36S-0.5SV(55)	C	36	21.4	19.9	17.5	19.5	21.2		
798-FH12-40S-0.5SV55	FH12-40S-0.5SV(55)	C	40	23.4	21.9	19.5	21.5	23.2		
798-FH12-45S-0.5SV55	FH12-45S-0.5SV(55)	C	45	25.9	24.4	22.0	24.0	25.7		
798-FH12-50S-0.5SV55	FH12-50S-0.5SV(55)	C	50	28.4	26.9	24.5	26.5	28.2		
798-FH12-60S-0.5SV55	FH12-60S-0.5SV(55)	C	60	33.4	31.9	29.5	31.5	33.2		

1MM - RIGHT ANGLE - BOTTOM CONTACT - GOLD

798-FH12-5S-1SH55	FH12-5S-1SH(55)	D	5	4.0	8.6	9.6	6.07	2.3		
798-FH12-6S-1SH55	FH12-6S-1SH(55)	D	6	5.0	9.6	10.6	7.07	2.3		
798-FH12-7S-1SH55	FH12-7S-1SH(55)	D	7	6.0	10.6	11.6	8.07	2.3		
798-FH12-8S-1SH55	FH12-8S-1SH(55)	D	8	7.0	11.6	12.6	9.07	2.3		
798-FH12-9S-1SH55	FH12-9S-1SH(55)	D	9	8.0	12.6	13.6	10.07	2.3		
798-FH12-11S-1SH55	FH12-11S-1SH(55)	D	11	10.0	14.6	15.6	12.07	2.3		
798-FH12-16S-1SH55	FH12-16S-1SH(55)	D	16	15.0	19.6	20.6	17.07	2.3		
798-FH12-22S-1SH55	FH12-22S-1SH(55)	D	22	21.0	25.6	26.6	23.07	2.3		
798-FH12-26S-1SH55	FH12-26S-1SH(55)	D	26	25.0	29.6	30.6	27.07	2.3		

1MM - VERTICAL MOUNT - GOLD

798-FH12-6S-1SV55	FH12-6S-1SV(55)	E	6	9.9	8.4	5.0	8.0	9.7		
798-FH12-8S-1SV55	FH12-8S-1SV(55)	E	8	11.9	10.4	7.0	10.0	11.7		
798-FH12-16S-1SV55	FH12-16S-1SV(55)	E	16	19.9	18.4	15.0	18.0	19.7		
798-FH12-20S-1SV55	FH12-20S-1SV(55)	E	20	23.9	22.4	19.0	22.0	23.7		
798-FH12-24S-1SV55	FH12-24S-1SV(55)	E	24	27.9	26.4	23.0	26.0	27.7		



HIROSE Wire-to-Board Connectors



This product is RoHS compliant.



HIROSE ELECTRIC CO., LTD.

DF50 SERIES 1 MM PITCH POSITIVE LOCK CONNECTOR

Crimp Sockets - Single Row

For quantities greater than listed, call for quote.

MOUSER STOCK NO.	Hirose Part No.	Fig.	No. of Positions	Dimensions: mm		Price Each		
				A	B	1	25	100
798-DF50A-2S-1C	DF50A-2S-1C	A	2	3.95	1			
798-DF50A-3S-1C	DF50A-3S-1C	A	3	4.95	2			
798-DF50A-4S-1C	DF50A-4S-1C	A	4	5.95	3			
798-DF50A-5S-1C	DF50A-5S-1C	A	5	6.95	4			
798-DF50A-6S-1C	DF50A-6S-1C	A	6	7.95	5			
798-DF50A-7S-1C	DF50A-7S-1C	A	7	8.95	6			
798-DF50A-8S-1C	DF50A-8S-1C	A	8	9.95	7			
798-DF50A-9S-1C	DF50A-9S-1C	A	9	10.95	8			
798-DF50A-10S-1C	DF50A-10S-1C	A	10	11.95	9			
798-DF50A-11S-1C	DF50A-11S-1C	A	11	12.95	10			
798-DF50A-12S-1C	DF50A-12S-1C	A	12	13.95	11			
798-DF50A-13S-1C	DF50A-13S-1C	A	13	14.95	12			
798-DF50A-14S-1C	DF50A-14S-1C	A	14	15.95	13			
798-DF50A-15S-1C	DF50A-15S-1C	A	15	16.95	14			
798-DF50A-16S-1C	DF50A-16S-1C	A	16	17.95	15			

Crimp Sockets - Double Row

For quantities greater than listed, call for quote.

MOUSER STOCK NO.	Hirose Part No.	Fig.	No. of Positions	Dimensions: mm		Price Each		
				A	B	1	25	100
798-DF50S-20DS-1C	DF50S-20DS-1C	B	20	12.28	9			
798-DF50S-30DS-1C	DF50S-30DS-1C	B	30	17.28	14			
798-DF50S-40DS-1C	DF50S-40DS-1C	B	40	22.28	19			
798-DF50S-50DS-1C	DF50S-50DS-1C	B	50	27.28	24			

Headers - Single Row

For quantities greater than listed, call for quote.

MOUSER STOCK NO.	Hirose Part No.	Fig.	No. of Positions	Dimensions: mm		Price Each		
				A	B	1	25	100
Right Angle - Gold - SMT								
798-DF50A-2P-1H(51)	DF50A-2P-1H(51)	-	2	-	-			
798-DF50A-3P-1H(51)	DF50A-3P-1H(51)	-	3	-	-			
798-DF50A-4P-1H(51)	DF50A-4P-1H(51)	-	4	-	-			
798-DF50A-5P-1H(51)	DF50A-5P-1H(51)	-	5	-	-			
798-DF50A-6P-1H(51)	DF50A-6P-1H(51)	-	6	-	-			
798-DF50A-8P-1H(51)	DF50A-8P-1H(51)	-	8	-	-			
798-DF50A-10P-1H(51)	DF50A-10P-1H(51)	-	10	-	-			
798-DF50A-12P-1H(51)	DF50A-12P-1H(51)	-	12	-	-			
798-DF50A-16P-1H(51)	DF50A-16P-1H(51)	-	16	-	-			
Straight - Gold - SMT								
798-DF50A-2P-1V(51)	DF50A-2P-1V(51)	C	2	5.25	1			
798-DF50A-3P-1V(51)	DF50A-3P-1V(51)	C	3	6.25	2			
798-DF50A-4P-1V(51)	DF50A-4P-1V(51)	C	4	7.25	3			
798-DF50A-5P-1V(51)	DF50A-5P-1V(51)	C	5	8.25	4			
798-DF50A-6P-1V(51)	DF50A-6P-1V(51)	C	6	9.25	5			
798-DF50A-7P-1V(51)	DF50A-7P-1V(51)	C	7	10.25	6			
798-DF50A-8P-1V(51)	DF50A-8P-1V(51)	C	8	11.25	7			
798-DF50A-9P-1V(51)	DF50A-9P-1V(51)	C	9	12.25	8			
798-DF50A-10P-1V(51)	DF50A-10P-1V(51)	C	10	13.25	9			
798-DF50A-11P-1V(51)	DF50A-11P-1V(51)	C	11	14.25	10			
798-DF50A-12P-1V(51)	DF50A-12P-1V(51)	C	12	15.25	11			
798-DF50A-13P-1V(51)	DF50A-13P-1V(51)	C	13	16.25	12			
798-DF50A-14P-1V(51)	DF50A-14P-1V(51)	C	14	17.25	13			
798-DF50A-15P-1V(51)	DF50A-15P-1V(51)	C	15	18.25	14			
798-DF50A-16P-1V(51)	DF50A-16P-1V(51)	C	16	19.25	15			

Headers - Double Row

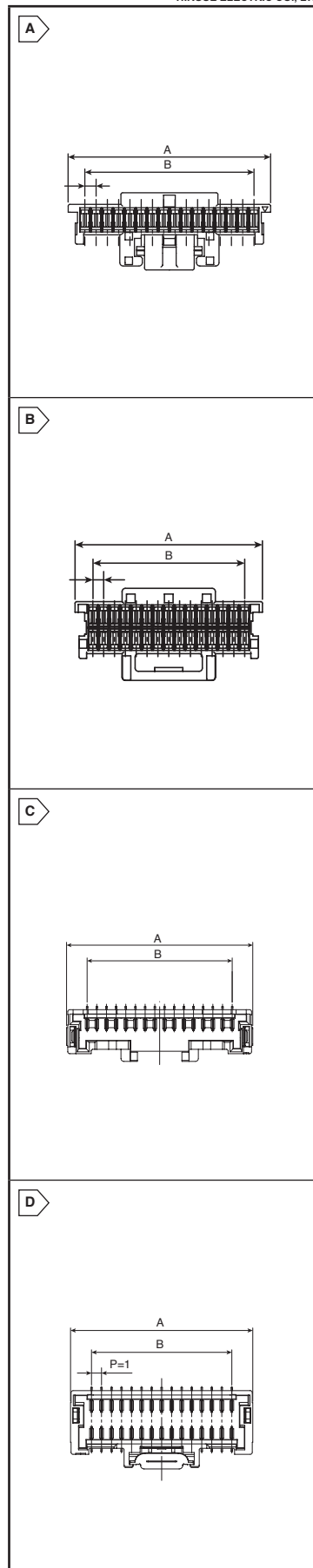
For quantities greater than listed, call for quote.

MOUSER STOCK NO.	Hirose Part No.	Fig.	No. of Positions	Dimensions: mm		Price Each		
				A	B	1	25	100
Right Angle - Gold SMT								
798-DF50-20DP-1H(51)	DF50-20DP-1H(51)	-	20	-	-			
798-DF50-30DP-1H(51)	DF50-30DP-1H(51)	-	30	-	-			
798-DF50-40DP-1H(51)	DF50-40DP-1H(51)	-	40	-	-			
798-DF50-50DP-1H(51)	DF50-50DP-1H(51)	-	50	-	-			
Straight - Gold - SMT								
798-DF50-20DP-1V(51)	DF50-20DP-1V(51)	D	20	13.18	9			
798-DF50-50DP-1V(51)	DF50-50DP-1V(51)	D	50	28.18	24			

DF50 Series Tools

For quantities greater than listed, call for quote.

MOUSER STOCK NO.	Hirose Part No.	Description	AWG	Price Each
798-HT305/DF502830HC	HT305/DF50-2830HC	Manual Crimping Tool	28, 30	



HIROSE Wire-to-Board Connectors



HIROSE ELECTRIC CO., LTD.

DF13 SERIES- 1.25MM MINIATURE CRIMPING CONNECTORS

Housings-Single Row

For quantities greater than listed, call for quote.

MOUSER STOCK NO.	Hirose Part No.	Fig.	No. of Positions	Dimensions: mm		Price Each		
				A	B	1	25	100
Crimp Receptacle Housings - Single Row								
798-DF13-2S-1.25C	DF13-2S-1.25C	A	2	4.15	1.25			
798-DF13-3S-1.25C	DF13-3S-1.25C	A	3	5.40	2.50			
798-DF13-4S-1.25C	DF13-4S-1.25C	A	4	6.65	3.75			
798-DF13-5S-1.25C	DF13-5S-1.25C	A	5	7.90	5.00			
798-DF13-6S-1.25C	DF13-6S-1.25C	A	6	9.15	6.25			
798-DF13-7S-1.25C	DF13-7S-1.25C	A	7	10.40	7.50			
798-DF13-8S-1.25C	DF13-8S-1.25C	A	8	11.65	8.75			
798-DF13-9S-1.25C	DF13-9S-1.25C	A	9	12.90	10.00			
798-DF13-10S-1.25C	DF13-10S-1.25C	A	10	14.15	11.25			
798-DF13-12S-1.25C	DF13-12S-1.25C	A	12	16.65	13.75			
798-DF13-14S-1.25C	DF13-14S-1.25C	A	14	19.15	16.25			
798-DF1315S125C	DF13-15S-1.25C	A	15	20.40	17.50			

Headers-Single Row

For quantities greater than listed, call for quote.

MOUSER STOCK NO.	Hirose Part No.	Fig.	No. of Positions	Dimensions: mm		Price Each		
				A	B	1	25	100
Single Row - Vertical - Tin - Thru Hole - With Boss								
798-DF13-2P-1.25DSA	DF13-2P-1.25DSA	B	2	4.15	1.25			
798-DF13-3P-1.25DSA	DF13-3P-1.25DSA	B	3	5.40	2.50			
798-DF13-4P-1.25DSA	DF13-4P-1.25DSA	B	4	6.65	3.75			
798-DF13-5P-1.25DSA	DF13-5P-1.25DSA	B	5	7.90	5.00			
798-DF13-6P-1.25DSA	DF13-6P-1.25DSA	B	6	9.15	6.25			
798-DF13-7P-1.25DSA	DF13-7P-1.25DSA	B	7	10.40	7.50			
798-DF13-8P-1.25DSA	DF13-8P-1.25DSA	B	8	11.65	8.75			
798-DF13-9P-1.25DSA	DF13-9P-1.25DSA	B	9	12.90	10.00			
798-DF139P125DSA20	DF13-9P-1.25DSA(20)	B	9	12.90	10.00			
798-DF13-10P-1.25DSA	DF13-10P-1.25DSA	B	10	14.15	11.25			
798-DF13-11P-1.25DSA	DF13-11P-1.25DSA	B	11	15.40	12.50			
798-DF13-12P-1.25DSA	DF13-12P-1.25DSA	B	12	16.65	13.75			
798-DF13-13P-1.25DSA	DF13-13P-1.25DSA	B	13	17.90	15.00			
798-DF13-14P-1.25DSA	DF13-14P-1.25DSA	B	14	19.15	16.25			
798-DF13-15P-1.25DSA	DF13-15P-1.25DSA	B	15	20.40	17.50			

Single Row - Vertical - Gold - Thru Hole - With Boss

798-DF132P125DSA50	DF13-2P-1.25DSA(50)	C	2	4.15	1.25			
798-DF134P125DSA50	DF13-4P-1.25DSA(50)	C	4	6.65	3.75			
798-DF135P125DSA50	DF13-5P-1.25DSA(50)	C	5	7.90	5.00			
798-DF136P125DSA50	DF13-6P-1.25DSA(50)	C	6	9.15	6.25			
798-DF138P125DSA50	DF13-8P-1.25DSA(50)	C	8	11.65	8.75			

Single Row - Right Angle - Tin - Thru Hole - With Boss

798-DF13-2P-1.25DS20	DF13-2P-1.25DS(20)	C	2	4.15	1.25			
798-DF13-3P-1.25DS20	DF13-3P-1.25DS(20)	C	3	5.40	2.50			
798-DF13-4P-1.25DS20	DF13-4P-1.25DS(20)	C	4	6.65	3.75			
798-DF13-5P-1.25DS20	DF13-5P-1.25DS(20)	C	5	7.90	5.00			
798-DF13-6P-1.25DS20	DF13-6P-1.25DS(20)	C	6	9.15	6.25			
798-DF13-7P-1.25DS20	DF13-7P-1.25DS(20)	C	7	10.40	7.50			
798-DF13-8P-1.25DS20	DF13-8P-1.25DS(20)	C	8	11.65	8.75			
798-DF13-9P-1.25DS20	DF13-9P-1.25DS(20)	C	9	12.90	10.00			
798-DF13-10P1.25DS20	DF13-10P-1.25DS(20)	C	10	14.15	11.25			
798-DF13-11P1.25DS20	DF13-11P-1.25DS(20)	C	11	15.40	12.50			
798-DF13-12P1.25DS20	DF13-12P-1.25DS(20)	C	12	16.65	13.75			
798-DF13-14P1.25DS20	DF13-14P-1.25DS(20)	C	14	19.15	16.25			
798-DF13-15P1.25DS20	DF13-15P-1.25DS(20)	C	15	20.40	17.50			

Single Row - Right Angle - Gold - Thru Hole - With Boss

798-DF132P125DS50	DF13-2P-1.25DS(50)	C	2	4.15	1.25			
798-DF134P125DS50	DF13-4P-1.25DS(50)	C	4	6.65	3.75			
798-DF135P125DS50	DF13-5P-1.25DS(50)	C	5	7.90	5.00			
798-DF138P125DS50	DF13-8P-1.25DS(50)	C	8	11.65	8.75			

Single Row - Vertical - Tin - SMT - With Boss

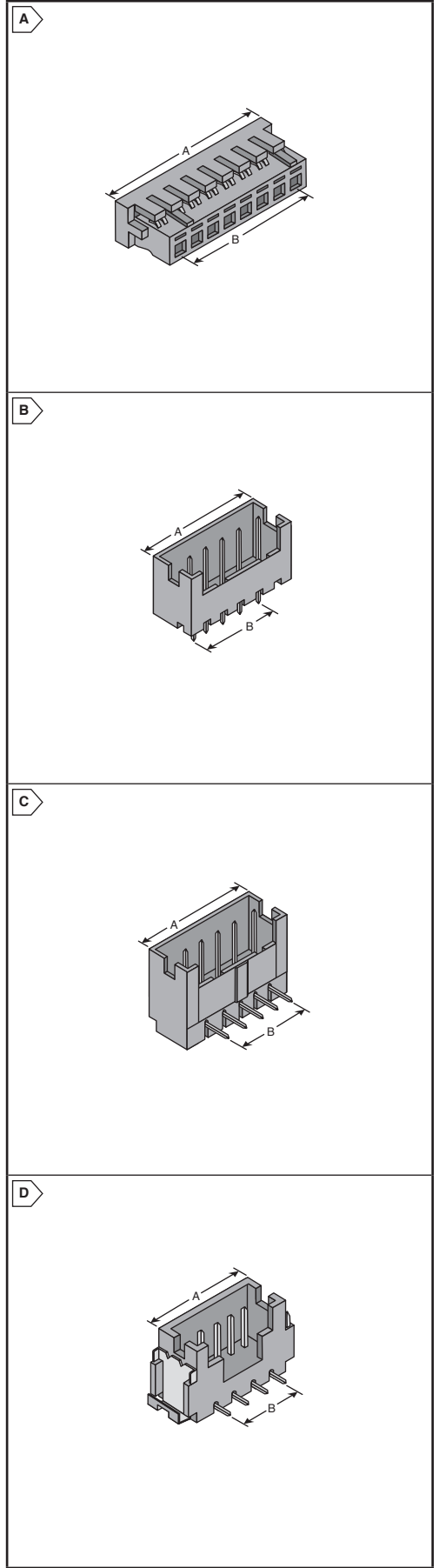
798-DF135P125V20	DF13-5P-1.25V(20)	D	5	10.90	5.00			
798-DF136P125V20	DF13-6P-1.25V(20)	D	6	9.15	6.25			
798-DF137P125V20	DF13-7P-1.25V(20)	D	7	13.40	7.50			
798-DF138P125V20	DF13-8P-1.25V(20)	D	8	14.65	8.75			
798-DF139P125V20	DF13-9P-1.25V(20)	D	9	15.90	10.00			
798-DF1312P125V20	DF13-12P-1.25V(20)	D	12	19.65	13.75			
798-DF1315P125V20	DF13-15P-1.25V(20)	D	15	20.40	17.50			
798-DF13B4P125V20	DF13B-4P-1.25V(20)	D	4	9.65	3.75			

Single Row - Vertical - Tin - SMT - Without Boss

798-DF13C2P125V20	DF13C-2P-1.25V(20)	D	2	7.15	1.25			
798-DF13C-2P-1.25V21	DF13C-2P-1.25V(21)	D	2	7.15	1.25			
798-DF13C3P125V20	DF13C-3P-1.25V(20)	D	3	8.40	2.50			
798-DF13C-3P-1.25V21	DF13C-3P-1.25V(21)	D	3	8.40	2.50			
798-DF13C-4P-1.25V21	DF13C-4P-1.25V(21)	D	4	9.65	3.75			
798-DF13C5P125V20	DF13C-5P-1.25V(20)	D	5	10.90	5.00			
798-DF13C-5P-1.25V21	DF13C-5P-1.25V(21)	D	5	10.90	5.00			
798-DF13C6P125V20	DF13C-6P-1.25V(20)	D	6	12.15	6.25			
798-DF13C-6P-1.25V21	DF13C-6P-1.25V(21)	D	6	12.15	6.25			
798-DF13C-7P-1.25V21	DF13C-7P-1.25V(21)	D	7	13.40	7.50			
798-DF13C8P125V20	DF13C-8P-1.25V(20)	D	8	14.65	8.75			
798-DF13C-8P-1.25V21	DF13C-8P-1.25V(21)	D	8	14.65	8.75			
798-DF13C-9P-1.25V21	DF13C-9P-1.25V(21)	D	9	15.90	10.00			
798-DF13C10P125V20	DF13C-10P-1.25V(20)	D	10	17.15	11.25			
798-DF13C-10P1.25V21	DF13C-10P-1.25V(21)	D	10	17.15	11.25			
798-DF13C-12P1.25V21	DF13C-12P-1.25V(21)	D	12	19.65	13.75			
798-DF13C14P125V20	DF13C-14P-1.25V(20)	D	14	22.15	16.25			
798-DF13C-14P1.25V21	DF13C-14P-1.25V(21)	D	14	22.15	16.25			
798-DF13C-15P1.25V21	DF13C-15P-1.25V(21)	D	15	23.40	17.50			

Single Row - Vertical - Gold - SMT - With Boss

798-DF133P125V50	DF13-3P-1.25V(50)	D	3	8.40	2.50			
798-DF134P125V50	DF13-4P-1.25V(50)	D	4	9.65	3.75			
798-DF135P125V50	DF13-5P-1.25V(50)	D	5	10.90	5.00			
798-DF137P125V50	DF13-7P-1.25V(50)	D	7	13.40	7.50			
798-DF138P125V50	DF13-8P-1.25V(50)	D	8	14.65	8.75			
798-DF139P125V50	DF13-9P-1.25V(50)	D	9	15.90	10.00			
798-DF1310P125V50	DF13-10P-1.25V(50)	D	10	17.15	11.25			
798-DF1312P125V50	DF13-12P-1.25V(50)	D	12	19.65	13.75			



Hirose Rectangular Connectors

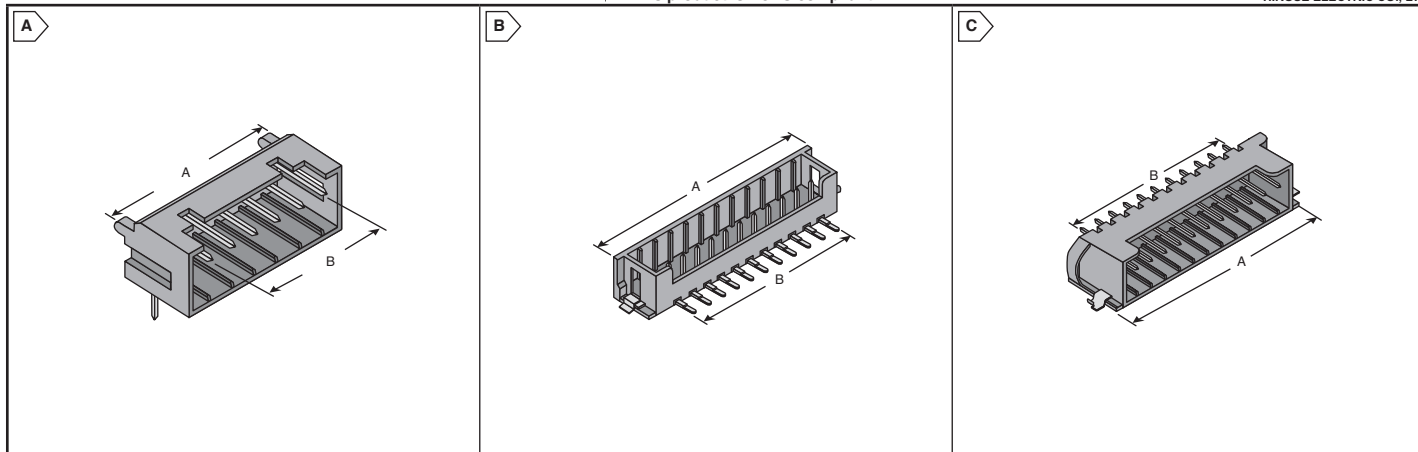
HIROSE 2.0mm for Single Row Connectors



This product is RoHS compliant.



HIROSE ELECTRIC CO., LTD.



DF3 SERIES SINGLE ROW CONNECTORS

Headers (Cont.)

For quantities greater than listed, call for quote.

MOUSER STOCK NO.	Hirose Part No.	Fig.	No. of Circuits	Dim. (mm)		Price Each		
				A	B	1	25	100
Right Angle - Gold - Thru-Hole								
798-DF3-2P-2DS01	DF3-2P-2DS(01)	A	2	6	2			
798-DF3-3P-2DS01	DF3-3P-2DS(01)	A	3	8	4			
798-DF3-4P-2DS01	DF3-4P-2DS(01)	A	4	10	6			
798-DF3-5P-2DS01	DF3-5P-2DS(01)	A	5	12	8			
798-DF3-6P-2DS01	DF3-6P-2DS(01)	A	6	14	10			
798-DF3-7P-2DS01	DF3-7P-2DS(01)	A	7	16	12			
798-DF3-8P-2DS01	DF3-8P-2DS(01)	A	8	18	14			
798-DF3-10P-2DS01	DF3-10P-2DS(01)	A	10	22	18			
Vertical - Tin - SMT								
798-DF3Z-2P-2V20	DF3Z-2P-2V(20)	B	2	8.5	2			
798-DF3Z-3P-2V20	DF3Z-3P-2V(20)	B	3	10.5	4			
798-DF3Z-4P-2V20	DF3Z-4P-2V(20)	B	4	12.5	6			
798-DF3Z-5P-2V20	DF3Z-5P-2V(20)	B	5	14.5	8			
798-DF3Z-6P-2V20	DF3Z-6P-2V(20)	B	6	16.5	10			
798-DF3Z-8P-2V20	DF3Z-8P-2V(20)	B	8	20.5	14			
798-DF3DZ-10P-2V21	DF3DZ-10P-2V(21)	B	10	24.5	18			
798-DF3DZ-11P-2V21	DF3DZ-11P-2V(21)	B	11	26.5	20			
798-DF3DZ-12P-2V21	DF3DZ-12P-2V(21)	B	12	28.5	22			
798-DF3DZ-13P-2V21	DF3DZ-13P-2V(21)	B	13	30.5	24			
798-DF3DZ-2P-2V21	DF3DZ-2P-2V(21)	B	2	8.5	2			
798-DF3DZ3P2V20	DF3DZ-3P-2V(20)	B	3	8.5	2			
798-DF3DZ-3P-2V21	DF3DZ-3P-2V(21)	B	3	10.5	4			
798-DF3DZ-4P-2V20	DF3DZ-4P-2V(20)	B	4	10.5	4			
798-DF3DZ-4P-2V21	DF3DZ-4P-2V(21)	B	4	12.5	6			
798-DF3DZ5P2V20	DF3DZ-5P-2V(20)	B	5	12.5	6			
798-DF3DZ-5P-2V21	DF3DZ-5P-2V(21)	B	5	14.5	8			
798-DF3DZ-6P-2V20	DF3DZ-6P-2V(20)	B	6	14.5	8			
798-DF3DZ-6P-2V21	DF3DZ-6P-2V(21)	B	6	16.5	10			
798-DF3DZ-7P-2V21	DF3DZ-7P-2V(21)	B	7	18.5	12			
798-DF3DZ-8P-2V21	DF3DZ-8P-2V(21)	B	8	20.5	14			
798-DF3DZ-9P-2V21	DF3DZ-9P-2V(21)	B	9	22.5	16			
798-DF3DZ-14P-2V21	DF3DZ-14P-2V(21)	B	14	32.5	26			
798-DF3DZ-15P-2V21	DF3DZ-15P-2V(21)	B	15	34.5	28			
798-DF3DZ-14P-2V21	DF3DZ-14P-2V(21)	B	14	32.5	26			
798-DF3DZ-15P-2V21	DF3DZ-15P-2V(21)	B	15	34.5	28			
Vertical - Gold - SMT								
798-DF3Z-2P-2V50	DF3Z-2P-2V(50)	B	2	8.5	2			
798-DF3Z-3P-2V50	DF3Z-3P-2V(50)	B	3	10.5	4			
798-DF3Z-4P-2V50	DF3Z-4P-2V(50)	B	4	12.5	6			
798-DF3Z-5P-2V50	DF3Z-5P-2V(50)	B	5	14.5	8			
798-DF3Z-8P-2V50	DF3Z-8P-2V(50)	B	8	20.5	14			
798-DF3DZ-2P-2V50	DF3DZ-2P-2V(50)	B	2	8.5	2			
798-DF3DZ-2P-2V51	DF3DZ-2P-2V(51)	B	2	8.5	2			
798-DF3DZ-3P-2V50	DF3DZ-3P-2V(50)	B	3	10.5	4			
798-DF3DZ-3P-2V51	DF3DZ-3P-2V(51)	B	3	10.5	4			
798-DF3DZ-4P-2V51	DF3DZ-4P-2V(51)	B	4	12.5	6			
798-DF3DZ5P2V50	DF3DZ-5P-2V(50)	B	5	14.5	8			
798-DF3DZ-5P-2V51	DF3DZ-5P-2V(51)	B	5	14.5	8			
798-DF3DZ-6P-2V50	DF3DZ-6P-2V(50)	B	6	16.5	10			
798-DF3DZ-6P-2V51	DF3DZ-6P-2V(51)	B	6	16.5	10			

Headers (Cont.)

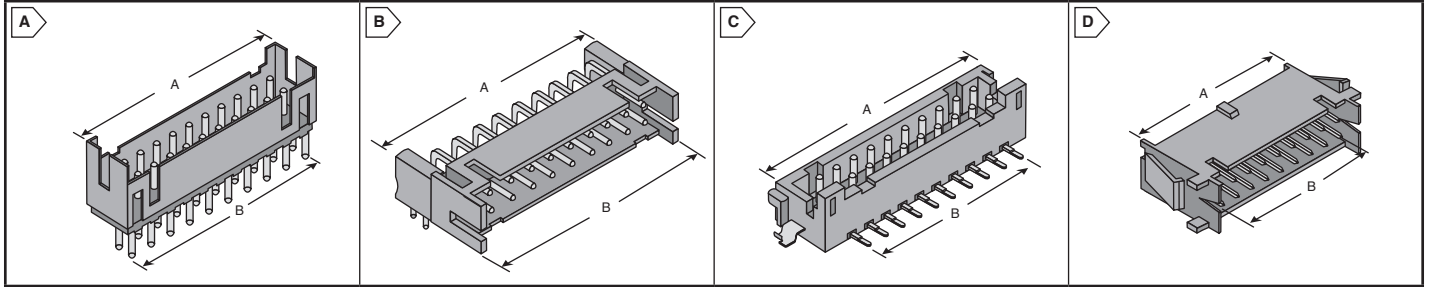
For quantities greater than listed, call for quote.

MOUSER STOCK NO.	Hirose Part No.	Fig.	No. of Circuits	Dim. (mm)		Price Each		
				A	B	1	25	100
Vertical - Gold - SMT (Cont.)								
798-DF3DZ-7P-2V51	DF3DZ-7P-2V(51)	B	7	18.5	12			
798-DF3DZ-8P-2V51	DF3DZ-8P-2V(51)	B	8	20.5	14			
798-DF3DZ-9P-2V51	DF3DZ-9P-2V(51)	B	9	22.5	16			
798-DF3DZ-10P-2V51	DF3DZ-10P-2V(51)	A	10	24.5	18			
798-DF3DZ-11P-2V51	DF3DZ-11P-2V(51)	B	11	26.5	20			
798-DF3DZ-12P-2V51	DF3DZ-12P-2V(51)	B	12	28.5	22			
798-DF3DZ-13P-2V51	DF3DZ-13P-2V(51)	B	13	30.5	24			
798-DF3DZ-14P-2V51	DF3DZ-14P-2V(51)	B	14	32.5	26			
798-DF3DZ-15P-2V51	DF3DZ-15P-2V(51)	B	15	34.5	28			
Right Angle - Tin - SMT								
798-DF3Z-2P-2H20	DF3Z-2P-2H(20)	C	2	8.5	2			
798-DF3Z-5P-2H20	DF3Z-5P-2H(20)	C	5	14.5	8			
798-DF3Z-7P-2H20	DF3Z-7P-2H(20)	C	7	18.5	12			
798-DF3DZ-2P-2H21	DF3DZ-2P-2H(21)	C	2	8.5	2			
798-DF3DZ-3P-2H21	DF3DZ-3P-2H(21)	C	3	10.5	4			
798-DF3DZ-4P-2H20	DF3DZ-4P-2H(20)	C	4	12.5	6			
798-DF3DZ-4P-2H21	DF3DZ-4P-2H(21)	C	4	12.5	6			
798-DF3DZ-5P-2H21	DF3DZ-5P-2H(21)	C	5	14.5	8			
798-DF3DZ-6P-2H21	DF3DZ-6P-2H(21)	C	6	16.5	10			
798-DF3DZ-7P-2H20	DF3DZ-7P-2H(20)	C	7	18.5	12			
798-DF3DZ-8P-2H21	DF3DZ-8P-2H(21)	C	8	20.5	14			
798-DF3DZ-10P-2H21	DF3DZ-10P-2H(21)	C	10	24.5	18			
798-DF3DZ-11P-2H21	DF3DZ-11P-2H(21)	C	11	26.5	20			
798-DF3DZ12P2H20	DF3DZ-12P-2H(20)	C	12	28.5	22			
798-DF3DZ-12P-2H21	DF3DZ-12P-2H(21)	C	12	28.5	22			
798-DF3DZ-13P-2H21	DF3DZ-13P-2H(21)	C	13	30.5	24			
798-DF3DZ-15P-2H21	DF3DZ-15P-2H(21)	C	15	34.5	28			
Right Angle - Gold - SMT								
798-DF3Z-2P-2H50	DF3Z-2P-2H(50)	C	2	8.5	2			
798-DF3Z-3P-2H50	DF3Z-3P-2H(50)	C	3	10.5	4			
798-DF3Z-4P-2H50	DF3Z-4P-2H(50)	C	4	12.5	6			
798-DF3Z-5P-2H50	DF3Z-5P-2H(50)	C	5	14.5	8			
798-DF3Z-8P-2H50	DF3Z-8P-2H(50)	C	8	20.5	14			
798-DF3DZ-2P-2H51	DF3DZ-2P-2H(51)	C	2	8.5	2			
798-DF3DZ-3P-2H51	DF3DZ-3P-2H(51)	C	3	10.5	4			
798-DF3DZ-4P-2H50	DF3DZ-4P-2H(50)	C	4	12.5	6			
798-DF3DZ-4P-2H51	DF3DZ-4P-2H(51)	C	4	12.5	6			
798-DF3DZ-5P-2H51	DF3DZ-5P-2H(51)	C	5	14.5	8			
798-DF3DZ-6P-2H51	DF3DZ-6P-2H(51)	C	6	16.5	10			
798-DF3DZ-7P-2H51	DF3DZ-7P-2H(51)	C	7	18.5	12			
798-DF3DZ-8P-2H51	DF3DZ-8P-2H(51)	C	8	20.5	14			
798-DF3DZ-9P-2H51	DF3DZ-9P-2H(51)	C	9	22.5	16			
798-DF3DZ-10P-2H51	DF3DZ-10P-2H(51)	C	10	24.5	18			
798-DF3DZ-11P-2H51	DF3DZ-11P-2H(51)	C	11	26.5	20			
798-DF3DZ-12P-2H51	DF3DZ-12P-2H(51)	C	12	28.5	22			
798-DF3DZ-13P-2H51	DF3DZ-13P-2H(51)	C	13	30.5	24			
798-DF3DZ-14P-2H51	DF3DZ-14P-2H(51)	C	14	32.5	26			
798-DF3DZ-15P-2H51	DF3DZ-15P-2H(51)	C	15	34.5	28			

HIROSE 2.00mm Double Row Connectors



RoHS Compliant This product is RoHS compliant.



DF11 SERIES DOUBLE ROW CONNECTORS

Headers

For quantities greater than listed, call for quote.

MOUSER STOCK NO.	Hirose Part No.	Fig.	No. of Circuits	Dim. (mm)		Price Each		
				A	B	1	25	100
Vertical - Tin - Thru-Hole								
798-DF11-4DP-2DSA08	DF11-4DP-2DSA(08)	A	4	6	2			
798-DF11-4DP-2DSA24	DF11-4DP-2DSA(24)	A	4	6	2			
798-DF11-6DP-2DSA08	DF11-6DP-2DSA(08)	A	6	8	4			
798-DF11-6DP-2DSA24	DF11-6DP-2DSA(24)	A	6	8	4			
798-DF11-8DP-2DSA08	DF11-8DP-2DSA(08)	A	8	10	6			
798-DF11-8DP-2DSA24	DF11-8DP-2DSA(24)	A	8	10	6			
798-DF11-10DP-2DSA08	DF11-10DP-2DSA(08)	A	10	12	8			
798-DF11-10DP-2DSA24	DF11-10DP-2DSA(24)	A	10	12	8			
798-DF11-12DP-2DSA08	DF11-12DP-2DSA(08)	A	12	14	10			
798-DF11-12DP-2DSA24	DF11-12DP-2DSA(24)	A	12	14	10			
798-DF11-14DP-2DSA08	DF11-14DP-2DSA(08)	A	14	16	12			
798-DF11-14DP-2DSA24	DF11-14DP-2DSA(24)	A	14	16	12			
798-DF11-16DP-2DSA08	DF11-16DP-2DSA(08)	A	16	18	14			
798-DF11-16DP-2DSA24	DF11-16DP-2DSA(24)	A	16	18	14			
798-DF11-18DP-2DSA08	DF11-18DP-2DSA(08)	A	18	20	16			
798-DF11-18DP-2DSA24	DF11-18DP-2DSA(24)	A	18	20	16			
798-DF11-20DP-2DSA08	DF11-20DP-2DSA(08)	A	20	22	18			
798-DF11-20DP-2DSA24	DF11-20DP-2DSA(24)	A	20	22	18			
798-DF11-22DP-2DSA08	DF11-22DP-2DSA(08)	A	22	24	20			
798-DF11-22DP-2DSA24	DF11-22DP-2DSA(24)	A	22	24	20			
798-DF11-24DP-2DSA08	DF11-24DP-2DSA(08)	A	24	26	22			
798-DF11-24DP-2DSA24	DF11-24DP-2DSA(24)	A	24	26	22			
798-DF11-26DP-2DSA08	DF11-26DP-2DSA(08)	A	26	28	24			
798-DF11-26DP-2DSA24	DF11-26DP-2DSA(24)	A	26	28	24			
798-DF11-28DP-2DSA08	DF11-28DP-2DSA(08)	A	28	30	26			
798-DF11-28DP-2DSA24	DF11-28DP-2DSA(24)	A	28	30	26			
798-DF11-30DP-2DSA08	DF11-30DP-2DSA(08)	A	30	32	28			
798-DF11-30DP-2DSA24	DF11-30DP-2DSA(24)	A	30	32	28			
798-DF11-32DP-2DSA08	DF11-32DP-2DSA(08)	A	32	34	30			
798-DF11-32DP-2DSA24	DF11-32DP-2DSA(24)	A	32	34	30			
Vertical - Gold - Thru-Hole								
798-DF11-4DP-2DSA01	DF11-4DP-2DSA(01)	A	4	6	2			
798-DF11-6DP-2DSA01	DF11-6DP-2DSA(01)	A	6	8	4			
798-DF11-8DP-2DSA01	DF11-8DP-2DSA(01)	A	8	10	6			
798-DF11-10DP-2DSA01	DF11-10DP-2DSA(01)	A	10	12	8			
798-DF11-12DP-2DSA01	DF11-12DP-2DSA(01)	A	12	14	10			
798-DF11-14DP-2DSA01	DF11-14DP-2DSA(01)	A	14	16	12			
798-DF11-16DP-2DSA01	DF11-16DP-2DSA(01)	A	16	18	14			
798-DF11-18DP-2DSA01	DF11-18DP-2DSA(01)	A	18	20	16			
798-DF11-20DP-2DSA01	DF11-20DP-2DSA(01)	A	20	22	18			
798-DF11-22DP-2DSA01	DF11-22DP-2DSA(01)	A	22	24	20			
798-DF11-24DP-2DSA01	DF11-24DP-2DSA(01)	A	24	26	22			
798-DF11-26DP-2DSA01	DF11-26DP-2DSA(01)	A	26	28	24			
798-DF11-30DP-2DSA01	DF11-30DP-2DSA(01)	A	30	32	28			
798-DF11-32DP-2DSA01	DF11-32DP-2DSA(01)	A	32	34	30			
Right Angle - Tin - Thru-Hole								
798-DF11-4DP-2DS24	DF11-4DP-2DS(24)	B	4	6	2			
798-DF11-6DP-2DS24	DF11-6DP-2DS(24)	B	6	8	4			
798-DF11-8DP-2DS24	DF11-8DP-2DS(24)	B	8	10	6			
798-DF11-10DP-2DS24	DF11-10DP-2DS(24)	B	10	12	8			
798-DF11-12DP-2DS24	DF11-12DP-2DS(24)	B	12	14	10			
798-DF11-14DP-2DS24	DF11-14DP-2DS(24)	B	14	16	12			
798-DF11-16DP-2DS24	DF11-16DP-2DS(24)	B	16	18	14			
798-DF11-18DP-2DS24	DF11-18DP-2DS(24)	B	18	20	16			
798-DF11-20DP-2DS24	DF11-20DP-2DS(24)	B	20	22	18			
798-DF11-22DP-2DS24	DF11-22DP-2DS(24)	B	22	24	20			
798-DF11-24DP-2DS24	DF11-24DP-2DS(24)	B	24	26	22			
798-DF11-26DP-2DS24	DF11-26DP-2DS(24)	B	26	28	24			
798-DF11-28DP-2DS24	DF11-28DP-2DS(24)	B	28	30	26			
798-DF11-30DP-2DS24	DF11-30DP-2DS(24)	B	30	32	28			
798-DF11-32DP-2DS24	DF11-32DP-2DS(24)	B	32	34	30			

Headers (Cont.)

For quantities greater than listed, call for quote.

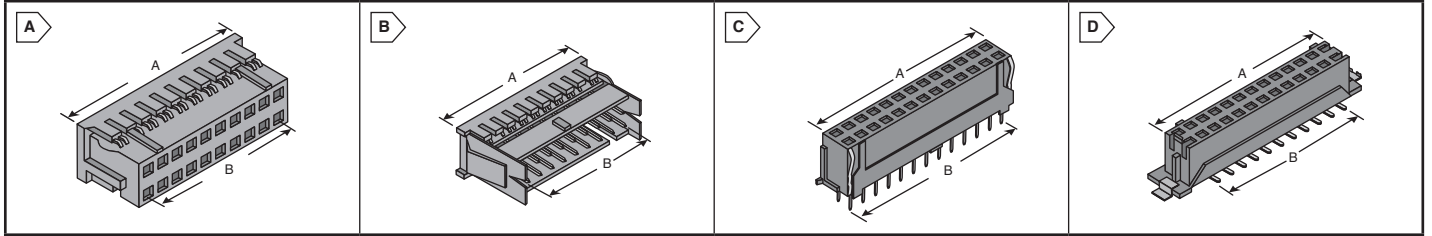
MOUSER STOCK NO.	Hirose Part No.	Fig.	No. of Circuits	Dim. (mm)		Price Each		
				A	B	1	25	100
Right Angle - Gold - Thru-Hole								
798-DF11-4DP-2DS52	DF11-4DP-2DS(52)	B	4	6	2			
798-DF11-6DP-2DS52	DF11-6DP-2DS(52)	B	6	8	4			
798-DF11-8DP-2DS52	DF11-8DP-2DS(52)	B	8	10	6			
798-DF11-10DP-2DS52	DF11-10DP-2DS(52)	B	10	12	8			
798-DF11-12DP-2DS52	DF11-12DP-2DS(52)	B	12	14	10			
798-DF11-14DP-2DS52	DF11-14DP-2DS(52)	B	14	16	12			
798-DF11-16DP-2DS52	DF11-16DP-2DS(52)	B	16	18	14			
798-DF11-18DP-2DS52	DF11-18DP-2DS(52)	B	18	20	16			
798-DF11-20DP-2DS52	DF11-20DP-2DS(52)	B	20	22	18			
798-DF11-22DP-2DS52	DF11-22DP-2DS(52)	B	22	24	20			
798-DF11-24DP-2DS52	DF11-24DP-2DS(52)	B	24	26	22			
798-DF11-26DP-2DS52	DF11-26DP-2DS(52)	B	26	28	24			
798-DF11-28DP-2DS52	DF11-28DP-2DS(52)	B	28	30	26			
798-DF11-30DP-2DS52	DF11-30DP-2DS(52)	B	30	32	28			
798-DF11-32DP-2DS52	DF11-32DP-2DS(52)	B	32	34	30			
Vertical - Tin - SMT								
798-DF11GZ-4DP-2V20	DF11GZ-4DP-2V(20)	C	4	8.5	2			
798-DF11GZ-6DP-2V20	DF11GZ-6DP-2V(20)	C	6	10.5	4			
798-DF11GZ-8DP-2V20	DF11GZ-8DP-2V(20)	C	8	12.5	6			
798-DF11GZ-10DP-2V20	DF11GZ-10DP-2V(20)	C	10	14.5	8			
798-DF11GZ-12DP-2V20	DF11GZ-12DP-2V(20)	C	12	16.5	10			
798-DF11GZ-14DP-2V20	DF11GZ-14DP-2V(20)	C	14	18.5	12			
798-DF11GZ-16DP-2V20	DF11GZ-16DP-2V(20)	C	16	20.5	14			
798-DF11GZ-18DP-2V20	DF11GZ-18DP-2V(20)	C	18	22.5	16			
798-DF11GZ-20DP-2V20	DF11GZ-20DP-2V(20)	C	20	24.5	18			
798-DF11GZ-22DP-2V20	DF11GZ-22DP-2V(20)	C	22	26.5	20			
798-DF11GZ-24DP-2V20	DF11GZ-24DP-2V(20)	C	24	28.5	22			
798-DF11GZ-26DP-2V20	DF11GZ-26DP-2V(20)	C	26	30.5	24			
798-DF11GZ-28DP-2V20	DF11GZ-28DP-2V(20)	C	28	32.5	26			
798-DF11GZ-30DP-2V20	DF11GZ-30DP-2V(20)	C	30	34.5	28			
798-DF11GZ-32DP-2V20	DF11GZ-32DP-2V(20)	C	32	36.5	30			
Vertical - Gold - SMT								
798-DF11G-4DP-2V50	DF11G-4DP-2V(50)	C	4	8.5	2			
798-DF11G-6DP-2V50	DF11G-6DP-2V(50)	C	6	10.5	4			
798-DF11G-8DP-2V50	DF11G-8DP-2V(50)	C	8	12.5	6			
798-DF11G-10DP-2V50	DF11G-10DP-2V(50)	C	10	14.5	8			
798-DF11G-12DP-2V50	DF11G-12DP-2V(50)	C	12	16.5	10			
798-DF11G-14DP-2V50	DF11G-14DP-2V(50)	C	14	18.5	12			
798-DF11G-16DP-2V50	DF11G-16DP-2V(50)	C	16	20.5	14			
798-DF11G-18DP-2V50	DF11G-18DP-2V(50)	C	18	22.5	16			
798-DF11G-20DP-2V50	DF11G-20DP-2V(50)	C	20	24.5	18			
798-DF11G-22DP-2V50	DF11G-22DP-2V(50)	C	22	26.5	20			
798-DF11G-24DP-2V50	DF11G-24DP-2V(50)	C	24	28.5	22			
798-DF11G-26DP-2V50	DF11G-26DP-2V(50)	C	26	30.5	24			
798-DF11G-30DP-2V50	DF11G-30DP-2V(50)	C	30	34.5	28			
798-DF11G-32DP-2V50	DF11G-32DP-2V(50)	C	32	36.5	30			
798-DF11G-40DP-2V50	DF11G-40DP-2V(50)	C	40	44.5	38			
Adapter - Male-Male - Panel Locks								
798-DF11-4DEP-2A	DF11-4DEP-2A	D	4	11	2			
798-DF11-6DEP-2A	DF11-6DEP-2A	D	6	13	4			
798-DF11-8DEP-2A	DF11-8DEP-2A	D	8	15	6			
798-DF11-10DEP-2A	DF11-10DEP-2A	D	10	17	8			
798-DF11-12DEP-2A	DF11-12DEP-2A	D	12	19	10			
798-DF11-14DEP-2A	DF11-14DEP-2A	D	14	21	12			
798-DF11-16DEP-2A	DF11-16DEP-2A	D	16	23	14			
798-DF11-18DEP-2A	DF11-18DEP-2A	D	18	25	16			
798-DF11-20DEP-2A	DF11-20DEP-2A	D	20	27	18			
798-DF11-22DEP-2A	DF11-22DEP-2A	D	22	29	20			
798-DF11-24DEP-2A	DF11-24DEP-2A	D	24	31	22			
798-DF11-26DEP-2A	DF11-26DEP-2A	D	26	33	24			
798-DF11-28DEP-2A	DF11-28DEP-2A	D	28	35	26			
798-DF11-30DEP-2A	DF11-30DEP-2A	D	30	37	28			
798-DF11-32DEP-2A	DF11-32DEP-2A	D	32	39	30			

HIROSE 2.0mm for Double Row Connections



HIROSE ELECTRIC CO., LTD.

RoHS Compliant This product is RoHS compliant.



DF11 SERIES DOUBLE ROW CONNECTORS

Housings

For quantities greater than listed, call for quote.

MOUSER STOCK NO.	Hirose Part No.	Fig.	No. of Contacts	Dim.		Price Each		
				A	B	1	25	100
Crimp Receptacle Housings								
798-DF11-4DS-2C	DF11-4DS-2C	A	4	6	2			
798-DF11-6DS-2C	DF11-6DS-2C	A	6	8	4			
798-DF11-8DS-2C	DF11-8DS-2C	A	8	10	6			
798-DF11-10DS-2C	DF11-10DS-2C	A	10	12	8			
798-DF11-12DS-2C	DF11-12DS-2C	A	12	14	10			
798-DF11-14DS-2C	DF11-14DS-2C	A	14	16	12			
798-DF11-16DS-2C	DF11-16DS-2C	A	16	18	14			
798-DF11-18DS-2C	DF11-18DS-2C	A	18	20	16			
798-DF11-20DS-2C	DF11-20DS-2C	A	20	22	18			
798-DF11-22DS-2C	DF11-22DS-2C	A	22	24	20			
798-DF11-24DS-2C	DF11-24DS-2C	A	24	26	22			
798-DF11-26DS-2C	DF11-26DS-2C	A	26	28	24			
798-DF11-28DS-2C	DF11-28DS-2C	A	28	30	26			
798-DF11-30DS-2C	DF11-30DS-2C	A	30	32	28			
798-DF11-32DS-2C	DF11-32DS-2C	A	32	34	30			
Crimp Plug Housings								
798-DF11-4DEP-2C	DF11-4DEP-2C	B	4	11	2			
798-DF11-6DEP-2C	DF11-6DEP-2C	B	6	13	4			
798-DF11-8DEP-2C	DF11-8DEP-2C	B	8	15	6			
798-DF11-10DEP-2C	DF11-10DEP-2C	B	10	17	8			
798-DF11-12DEP-2C	DF11-12DEP-2C	B	12	19	10			
798-DF11-14DEP-2C	DF11-14DEP-2C	B	14	21	12			
798-DF11-16DEP-2C	DF11-16DEP-2C	B	16	23	14			
798-DF11-18DEP-2C	DF11-18DEP-2C	B	18	25	16			
798-DF11-20DEP-2C	DF11-20DEP-2C	B	20	27	18			
798-DF11-22DEP-2C	DF11-22DEP-2C	B	22	29	20			
798-DF11-24DEP-2C	DF11-24DEP-2C	B	24	31	22			
798-DF11-26DEP-2C	DF11-26DEP-2C	B	26	33	24			
798-DF11-28DEP-2C	DF11-28DEP-2C	B	28	35	26			
798-DF11-30DEP-2C	DF11-30DEP-2C	B	30	37	28			
798-DF11-32DEP-2C	DF11-32DEP-2C	B	32	39	30			

Crimp Contacts

For quantities greater than listed, call for quote.

MOUSER STOCK NO.	Hirose Part No.	Plating	AWG	Price Each		
				1	25	100
Female						
798-DF11-22SC	DF11-22SC	Tin	22			
798-DF11-2428SC	DF11-2428SC	Tin	24-28			
798-DF11-30SC	DF11-30SC	Tin	30			
798-DF11-22SCA	DF11-22SCA	Gold	22			
798-DF11-2428SCA	DF11-2428SCA	Gold	24-28			
798-DF11-30SCA	DF11-30SCA	Gold	30			
Male						
798-DF11-EP2428PC	DF11-EP2428PC	Tin	24-28			
798-DF11-EP2428PCA	DF11-EP2428PCA	Gold	24-28			

Crimp Contacts (Reels)

For quantities greater than listed, call for quote.

MOUSER STOCK NO.	Hirose Part No.	Plating	AWG	Reel Qty.	Price Each
Female					
798-DF11-22SCF	DF11-22SCF	Tin	22	10000	
798-DF11-2428SCF	DF11-2428SCF	Tin	24-28	10000	
798-DF11-30SCF	DF11-30SCF	Tin	30	10000	
798-DF11-22SCFA	DF11-22SCFA	Gold	22	10000	
798-DF11-2428SCFA	DF11-2428SCFA	Gold	24-28	10000	
798-DF11-2428SCFA04	DF11-2428SCFA(04)	Gold	24-28	10000	
798-DF11-30SCFA	DF11-30SCFA	Gold	30	10000	
Male					
798-DF11-EP2428PCF	DF11-EP2428PCF	Tin	24-28	10000	
798-DF11-EP2428PCFA	DF11-EP2428PCFA	Gold	24-28	10000	

Crimp Contacts (Tooling)

For quantities greater than listed, call for quote.

MOUSER STOCK NO.	Hirose Part No.	Description	Price Each
798-DF11-TA2428HC	DF11-TA2428HC	Tool with Die 24-28 AWG Fem	
798-DF11-TA30HC	DF11-TA30HC	Tool 30AWG Fem	

Receptacles

For quantities greater than listed, call for quote.

MOUSER STOCK NO.	Hirose Part No.	Fig.	No. of Circuits	Dim.		Price Each		
				A	B	1	25	100
PCB Receptacles - Vertical - Tin - Thru-Hole								
798-DF11-6DS-2DSA05	DF11-6DS-2DSA(05)	C	6	8	4			
798-DF11-8DS-2DSA05	DF11-8DS-2DSA(05)	C	8	10	6			
798-DF11-10DS-2DSA05	DF11-10DS-2DSA(05)	C	10	12	8			
798-DF11-12DS-2DSA05	DF11-12DS-2DSA(05)	C	12	14	10			
798-DF11-14DS-2DSA05	DF11-14DS-2DSA(05)	C	14	16	12			
798-DF11-16DS-2DSA05	DF11-16DS-2DSA(05)	C	16	18	14			
798-DF11-18DS-2DSA05	DF11-18DS-2DSA(05)	C	18	20	16			
798-DF11-20DS-2DSA05	DF11-20DS-2DSA(05)	C	20	22	18			
798-DF11-22DS-2DSA05	DF11-22DS-2DSA(05)	C	22	24	20			
798-DF11-24DS-2DSA05	DF11-24DS-2DSA(05)	C	24	26	22			
798-DF11-26DS-2DSA05	DF11-26DS-2DSA(05)	C	26	28	24			
798-DF11-28DS-2DSA05	DF11-28DS-2DSA(05)	C	28	30	26			
798-DF11-32DS-2DSA05	DF11-32DS-2DSA(05)	C	32	34	30			
PCB Receptacles - Vertical - Gold - Thru-Hole								
798-DF11-6DS-2DSA06	DF11-6DS-2DSA(06)	C	6	8	4			
798-DF11-8DS-2DSA06	DF11-8DS-2DSA(06)	C	8	10	6			
798-DF11-10DS-2DSA06	DF11-10DS-2DSA(06)	C	10	12	8			
798-DF11-12DS-2DSA06	DF11-12DS-2DSA(06)	C	12	14	10			
798-DF11-14DS-2DSA06	DF11-14DS-2DSA(06)	C	14	16	12			
798-DF11-16DS-2DSA06	DF11-16DS-2DSA(06)	C	16	18	14			
798-DF11-18DS-2DSA06	DF11-18DS-2DSA(06)	C	18	20	16			
798-DF11-20DS-2DSA06	DF11-20DS-2DSA(06)	C	20	22	18			
798-DF11-24DS-2DSA06	DF11-24DS-2DSA(06)	C	24	26	22			
798-DF11-26DS-2DSA06	DF11-26DS-2DSA(06)	C	26	28	24			
798-DF11-32DS-2DSA06	DF11-32DS-2DSA(06)	C	32	34	30			
PCB Receptacles - Vertical - Tin - SMT								
798-DF11Z-6DS-2V20	DF11Z-6DS-2V(20)	D	6	10.5	4			
798-DF11Z-10DS-2V20	DF11Z-10DS-2V(20)	D	10	14.5	8			
798-DF11Z-12DS-2V20	DF11Z-12DS-2V(20)	D	12	16.5	10			
798-DF11Z-14DS-2V20	DF11Z-14DS-2V(20)	D	14	18.5	12			
798-DF11Z-16DS-2V20	DF11Z-16DS-2V(20)	D	16	20.5	14			
798-DF11Z-20DS-2V20	DF11Z-20DS-2V(20)	D	20	24.5	18			
798-DF11Z-22DS-2V20	DF11Z-22DS-2V(20)	D	22	26.5	20			
798-DF11Z-24DS-2V20	DF11Z-24DS-2V(20)	D	24	28.5	22			
798-DF11Z-26DS-2V20	DF11Z-26DS-2V(20)	D	26	30.5	24			
798-DF11Z-28DS-2V20	DF11Z-28DS-2V(20)	D	28	32.5	26			
798-DF11Z-30DS-2V20	DF11Z-30DS-2V(20)	D	30	34.5	28			
798-DF11Z-32DS-2V20	DF11Z-32DS-2V(20)	D	32	36	30			
798-DF11Z-40DS-2V20	DF11Z-40DS-2V(20)	D	40	44.5	38			
PCB Receptacles - Vertical - Gold - SMT								
798-DF11Z-10DS-2V50	DF11Z-10DS-2V(50)	D	10	14.5	8			
798-DF11Z-12DS-2V50	DF11Z-12DS-2V(50)	D	12	16.5	10			
798-DF11Z-14DS-2V50	DF11Z-14DS-2V(50)	D	14	18.5	12			
798-DF11Z-16DS-2V50	DF11Z-16DS-2V(50)	D	16	20.5	14			
798-DF11Z-18DS-2V50	DF11Z-18DS-2V(50)	D	18	22.5	16			
798-DF11Z-20DS-2V50	DF11Z-20DS-2V(50)	D	20	24.5	18			
798-DF11Z-24DS-2V50	DF11Z-24DS-2V(50)	D	24	28.5	22			
798-DF11Z-26DS-2V50	DF11Z-26DS-2V(50)	D	26	30.5	24			
798-DF11Z-28DS-2V50	DF11Z-28DS-2V(50)	D	28	32.5	26			

Rectangular Connectors Hirose

JAE Surface Mount Board-to-Flex Connectors

Technology to Inspire Innovation



This product is RoHS compliant.

FF02 SERIES: 0.30MM SMT BOARD-TO-FLEX CONNECTORS

Features:

- Low profile 1.2mm above board
- CAM Locking Structure makes FPC lining unnecessary and helps to absorb shock caused by fall resulting in much higher mating reliability

Specifications:

- FPC type: 0.3mm pitch, 0.12mm thickness with reinforcement
- Current Rating: AC/DC 0.35A per contact
- Dielectric Withstanding Voltage: AC 250 V rms per minute
- Voltage Rating: AC/DC 50V per contact
- RoHS Compliance per JAE documentation

For quantities greater than listed, call for quote.

MOUSER STOCK NO.	JAE Part No.	Fig.	No. of Positions	Description	Price Each			
					1	25	100	250
656-FF0235SS1	FF0235SS1	A	35	Right Angle				
656-FF0239SS1	FF0239SS1-R3000	A	39	Right Angle				
656-FF0251SS1	FF0251SS1	A	51	Right Angle				
656-FF0290SS1	FF0290SS1	A	90	Right Angle				

IL-FPR SERIES: 0.50MM SMT ZIF BOARD-TO-FLEX CONNECTORS

Features:

- Low profile 2.0mm above board (Right-angle type)
- A slider enables insertion/extraction of FPC without applying force (Zero Insertion Force)
- Designed to avoid defective mating
- FPC type: 0.3mm thickness with reinforcement
- Right Angle

Specifications:

- Current Rating: AC/DC 0.5 Amp per contact
- Dielectric Withstanding Voltage: 250 VAC rms (for one minute)
- RoHS Compliance per JAE documentation

For quantities greater than listed, call for quote.

MOUSER STOCK NO.	JAE Part No.	Fig.	No. of Positions	Description	Price Each			
					1	25	100	250
656-IL-FPR-10S-HF-N1	IL-FPR-10S-HF-N1	B	10	Right Angle				
656-IL-FPR-20S-HF-N1	IL-FPR-20S-HF-N1	B	20	Right Angle				
656-IL-FPR-30S-HF-N1	IL-FPR-30S-HF-N1	B	30	Right Angle				
656-IL-FPR-32S-HF-N1	IL-FPR-32S-HF-N1	B	32	Right Angle				
656-IL-FPR-33S-HF-N1	IL-FPR-33S-HF-N1	B	33	Right Angle				
656-IL-FPR-40S-HF-N1	IL-FPR-40S-HF-N1	B	40	Right Angle				
656-L-FPR-50S-HF-N1	IL-FPR-50S-HF-N1	B	50	Right Angle				

FA5 SERIES: 0.50MM SMT FPC BOARD-TO-FLEX CONNECTORS

Features:

- Low profile connector for PCB-to-FPC
- ZIF structure for easy insertion and removal of FPC
- Hold down structure with winding and strain protection
- Connector mounting height 1.45mm(.057"), low profile structure
- Right Angle

Specifications:

- Current Rating: 0.8Amp per contact
- Dielectric Withstanding Voltage: 250VAC rms (for one minute)
- RoHS Compliance per JAE documentation

For quantities greater than listed, call for quote.

MOUSER STOCK NO.	JAE Part No.	Fig.	No. of Positions	Description	Price Each			
					1	25	100	250
656-FA5S030HP1	FA5S030HP1	C	30	SMT, Right Angle				
656-FA5S040HP1	FA5S040HP1	C	40	SMT, Right Angle				
656-FA5S050HP1	FA5S050HP1	C	50	SMT, Right Angle				
656-FA5B040HP1	FA5B040HP1	C	40	Bottom Mount, Right Angle				

FI-R SERIES 0.50MM BOARD-TO-FLEX CONNECTORS

- High speed serial transmission such as LVDS, TMDS (HDMI) and PCI express
- Contact Resistance: 50Ω max.

- Current Rating: AC, DC 0.8A per Terminal
- Insulation Resistance: 100MΩ min.

For quantities greater than listed, call for quote.

MOUSER STOCK NO.	JAE Part No.	Fig.	No. of Positions	Description	Price Each			
					1	25	100	250
656-FI-RE41HL	FI-RE41HL	D	41	Cable Mount Plug				
656-FI-RE41S-HF	FI-RE41S-HF	E	41	SMT Receptacle R/A				
656-FI-RE41S-VF	FI-RE41S-VF	F	41	SMT Receptacle Straight				
656-FI-RE51-HL	FI-RE51HL	D	51	Cable Mount Plug				
656-FI-RE51S-HF	FI-RE51S-HF	E	51	SMT Receptacle R/A				
656-FI-RE51S-VF	FI-RE51S-VF	F	51	SMT Receptacle Straight				

Contacts

- RoHS Compliance per JAE documentation

For quantities greater than listed, call for quote.

MOUSER STOCK NO.	JAE Part No.	Description	Price Each			
			1	25	100	250
656-FI-RC31A1E-15000	FI-RC3-1A-1E-15000	Crimp contacts 30-36 AWG Upper Contact				
656-FI-RC31B1E-15000	FI-RC3-1B-1E-15000	Crimp contacts 30-36 AWG Lower Contact				

Tool

For quantities greater than listed, call for quote.

MOUSER STOCK NO.	JAE Part No.	Description	Price Each
656-CT150-4C-FI	CT150-4C-FI	Hand Crimp Tool	

FB3, FB6 AND FB8 SERIES 0.30MM SMT BOARD-TO-FLEX CONNECTORS

Specifications:

- Easy handling due to easy rotation of actuator
- Current Rating: 0.35A per contact
- Voltage Rating: AC, DC 50V per contact

- LIF (Low Insertion Force) structure for one-touch FPC
- FB8 features "Backflip" actuator for superior cable retention
- RoHS Compliance per JAE documentation

For quantities greater than listed, call for quote.

MOUSER STOCK NO.	JAE Part No.	Fig.	No. of Pos.	Description	Price Each			
					1	25	100	250
656-FB6S039JA1	FB6S039JA1	G	39	1.2mm Height Bottom Contacts				
656-FB6S051JA1	FB6S051JA1	G	51	1.2mm Height Bottom Contacts				
656-FB8S029JA1	FB8S029JA1	H	29	1.2mm Height Upper Contacts				

JF08 SERIES HIGH SPEED FFC HARNESSES

Specifications:

- The JF08 Series is a pre-assembled flat flexible cable (FFC) harness for high speed differential transmission
- Mates with FI-R Receptacles

- Provides great electrical performance while maintaining mechanical durability and reliability
- Available pin counts include 41 and 51 positions.

For quantities greater than listed, call for quote.

MOUSER STOCK NO.	JAE Part No.	Fig.	Description	Price Each			
				1	10	25	50
656-JF08R0R041020MA	JF08R0R041020MA	I	41P, 20cm High Speed FFC Cable				
656-JF08R0R041025MA	JF08R0R041025MA	I	41P, 25cm High Speed FFC Cable				
656-JF08R0R041035MA	JF08R0R041035MA	I	41P, 35cm High Speed FFC Cable				
656-JF08R0R051020MA	JF08R0R051020MA	I	51P, 20cm High Speed FFC Cable				
656-JF08R0R051025MA	JF08R0R051025MA	I	51P, 25cm High Speed FFC Cable				
656-JF08R0R051035MA	JF08R0R051035MA	I	51P, 35cm High Speed FFC Cable				

© Copyright 2014 Mouser Electronics

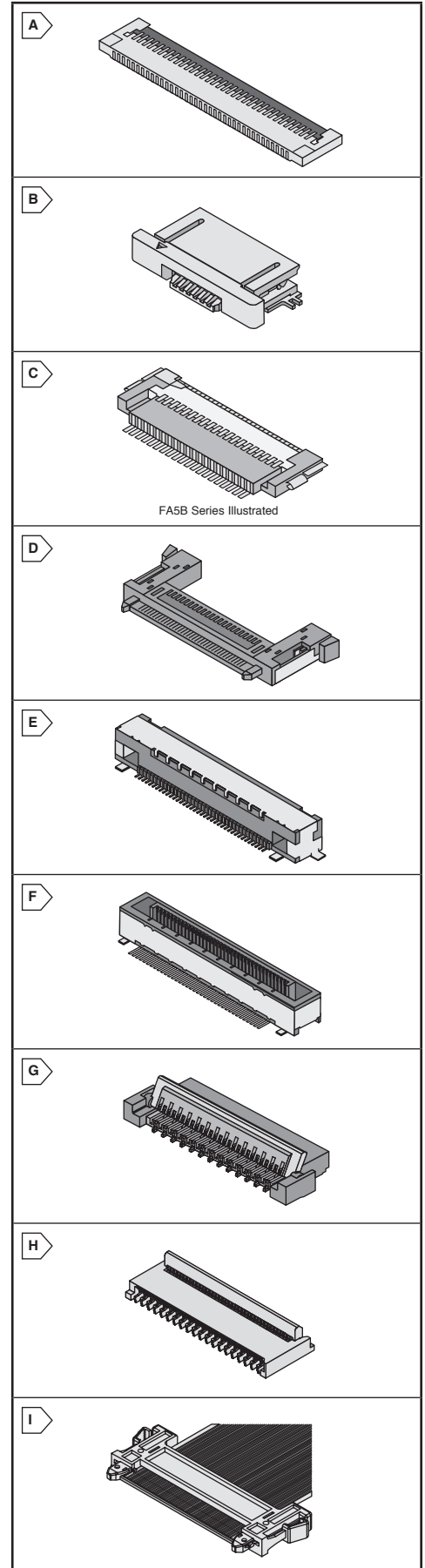
1550

mouser.com/jae

For current pricing, visit mouser.com

EUsales@mouser.com

© Copyright 2014 Mouser Electronics



JAE Rectangular Connectors



JAE Wire to Board Connectors

Technology to Inspire Innovation



RoHS Compliant This product is RoHS compliant.

FI-X SERIES 1.0MM PCB BOARD-TO-FLEX CONNECTORS

- Improved ground condition which is directly related to EMI characteristics
- Compatible with high-speed differential transmission and high-level impedance matching (90Ω to 100Ω)
- Current Rating: AC/DC 1 Amp per contact
- Bottom type structure provides 1.5mm (.059") connector height and 1mm (.039") height above the PCB
- RoHS Compliance per JAE documentation



For quantities greater than listed, call for quote.

MOUSER STOCK NO.	JAE Part No.	Fig.	No. of Pos.	Description	Price Each			
					1	25	100	250
Plugs								
656-FI-X30H	FI-X30H	A	30	Crimp, Housing				
656-FI-X30M-NPB	FI-X30M-NPB	A	30	ZIF, Cable Side				
656-FI-X30FR	FI-X30FR	A	30	Cable Side				
656-FI-X30HL-B	FI-X30HL-B	B	30	Notebook-PC LCD interface				
Receptacles								
656-FI-XB30SRLHF11	FI-XB30SRL-HF11	C	30	Right Angle Sunken				
656-FI-XB30SL-HF10	FI-XB30SL-HF10	C	30	Right Angle with Lock				
Contacts								
656-FI-XC3-1-15000	FI-XC3-1-15000	-	-	Crimp Contacts 30-36 AWG				

TOOL

For quantities greater than listed, call for quote.

MOUSER STOCK NO.	JAE Part No.	Description	Price Each
656-CT150-4C-FIX	CT150-4C-FIX	Hand Crimp Tool	

FI-E SERIES 1.0MM PCB TO CABLE CONNECTORS

- Alignment guide allows for blind mating
- Current Rating: AC/DC 1 Amp per contact
- RoHS Compliance per JAE Documentation

For quantities greater than listed, call for quote.

MOUSER STOCK NO.	JAE Part No.	Fig.	No. of Pos.	Description	Price Each		
					1	25	250
656-FI-E30HL	FI-E30HL	A	30	Crimp, Cable Side Plug			
656-FI-E30S	FI-E30S	C	30	Right Angle Receptacle			

FI SERIES 1.25MM SMT WIRE TO BOARD CONNECTORS

- High density connectors for board to cable connections
- Friction Lock Housing
- FPC Versions Available
- Electromagnetic Shield
- Current Rating: 1A
- Operating Temperature: -40°C to +80°C
- Crimp contacts sold separately
- RoHS Compliance per JAE documentation

For quantities greater than listed, call for quote.

Single Row Surface Mount								
656-FI-S4P-HFE	FI-S4P-HFE	C	4	Right Angle SMT Receptacle				
656-FI-S5P-HFE	FI-S5P-HFE	C	5	Right Angle SMT Receptacle				
656-FI-S10P-HFE	FI-S10P-HFE	C	10	Right Angle SMT Receptacle				
656-FI-S20P-HFE	FI-S20P-HFE	C	20	Right Angle SMT Receptacle				
* 656-FI-SE20-HFE	FI-SE20P-HFE	C	20	Right Angle SMT Receptacle				
* 656-FI-SE30P-HFE	FI-SE30P-HFE	C	30	Right Angle SMT Receptacle				
656-FI-S4S	FI-S4S	A	4	Cable Mount Plug				
656-FI-S5S	FI-S5S	A	5	Cable Mount Plug				
656-FI-S10S	FI-S10S	A	10	Cable Mount Plug				
656-FI-S20S	FI-S20S	A	20	Cable Mount Plug				
* 656-FI-SE20ME	FI-SE20ME	A	20	Cable Mount Plug				
656-FI-S30S	FI-S30S	A	30	Cable Mount Plug				
Double Row Surface Mount								
* 656-FI-WE21P-HFE	FI-WE21P-HFE	D	21	Right Angle SMT Receptacle				
* 656-FI-WE31P-HFE	FI-WE31P-HFE	D	31	Right Angle SMT Receptacle				
656-FI-W31P-HFE	FI-W31P-HFE	D	31	Right Angle SMT Receptacle				
656-FI-W41P-HFE	FI-W41P-HFE	D	41	Right Angle SMT Receptacle				
* 656-FI-WE41P-HFE	FI-WE41P-HFE	D	41	Right Angle SMT Receptacle				
656-FI-W11S	FI-W11S	E	11	Cable Mount Plug				
656-FI-W21S	FI-W21S	E	21	Cable Mount Plug				
656-FI-W31S	FI-W31S	E	31	Cable Mount Plug				
656-FI-W41S	FI-W41S	E	41	Cable Mount Plug				
Contacts								
656-FI-C3-A1-15000	FI-C3-A1-15000			Crimp Contacts 28-32 AWG				

CABLE ASSEMBLY HIGH SPEED DEVELOPMENT KITS FOR LVDS

- High speed LVDS cable assemblies for applications such as LCD Monitors, Projectors, Medical Defibrillators, Hand held GPS and many other applications
- Kit includes 2 of each connector, 300mm discrete wire with Pre-crimped Contacts
- Customer populates the crimped contacts in the housing according to their requirements

For quantities greater than listed, call for quote.

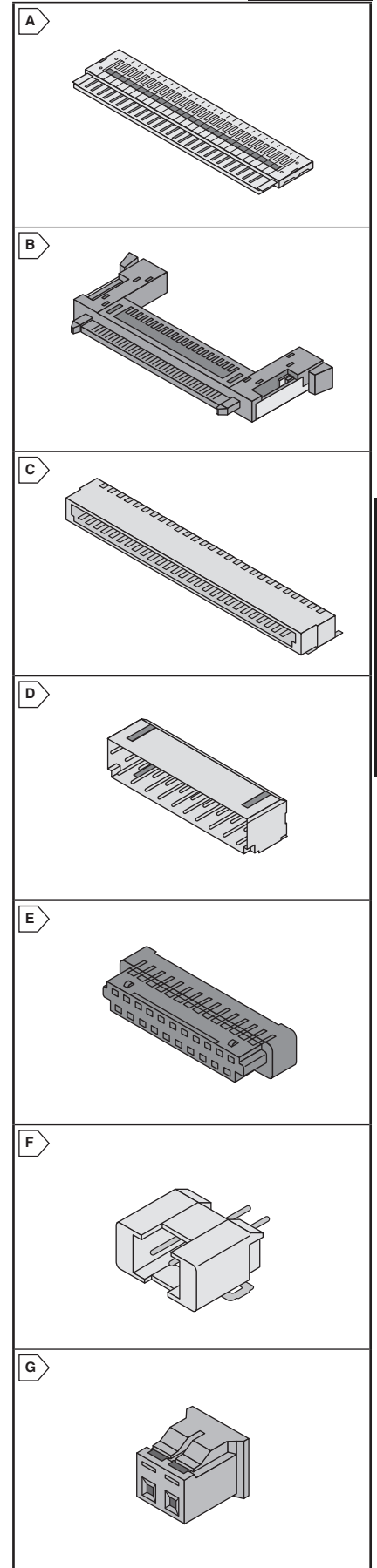
656-FIS20SKITASSY	FI-S20S-KITASSY-300M	A	20	FI-S20S Connectors, 300mm				
656-FIX30HLKITASSY	FI-X30HL-KITASSY-300M	-	30	FI-X30HL Connectors, 300mm				
656-FIRE41HLKITASSY	FI-RE41HL-KITASSY-300M	B	41	FI-RE41HL Connectors, 300mm				
656-FIRE51HLKITASSY	FI-RE51HL-KITASSY-300M	B	51	FI-RE51HL Connectors, 300mm				

IL-Z SERIES 1.25MM SMT PCB TO CABLE CRIMP CONNECTORS

- Low Profile, 3.45mm above board
- Pin headers suited for automatic packaging
- Crimp to wire sockets
- Operating Temperature: -40°C to +70°C
- RoHS Compliance per JAE documentation
- Current Rating: 1A
- AWG Range: 28-30
- Crimp contacts sold separately

For quantities greater than listed, call for quote.

656-IL-Z-2PL-SMTYE	IL-Z-2PL-SMTYE	F	2	Right Angle SMT Pin Header				
656-IL-Z-5PL-SMTYE	IL-Z-5PL-SMTYE	F	5	Right Angle SMT Pin Header				
656-IL-Z-6PL-SMTYE	IL-Z-6PL-SMTYE	F	6	Right Angle SMT Pin Header				
656-IL-Z-7PL-SMTYE	IL-Z-7PL-SMTYE	F	7	Right Angle SMT Pin Header				
656-IL-Z-8PL-SMTYE	IL-Z-8PL-SMTYE	F	8	Right Angle SMT Pin Header				
656-IL-Z-9PL-SMTYE	IL-Z-9PL-SMTYE	F	9	Right Angle SMT Pin Header				
656-IL-Z-12PL-SMTYE	IL-Z-12PL-SMTYE	F	12	Right Angle SMT Pin Header				
656-IL-Z-15PL-SMTYE	IL-Z-15PL-SMTYE	F	15	Right Angle SMT Pin Header				
656-IL-Z-2S-S125C3	IL-Z-2S-S125C3	G	2	Socket Housing				
656-IL-Z-5S-S125C3	IL-Z-5S-S125C3	G	5	Socket Housing				
656-IL-Z-6S-S125C3	IL-Z-6S-S125C3	G	6	Socket Housing				
656-IL-Z-7S-S125C3	IL-Z-7S-S125C3	G	7	Socket Housing				
656-IL-Z-8S-S125C3	IL-Z-8S-S125C3	G	8	Socket Housing				
656-IL-Z-9S-S125C3	IL-Z-9S-S125C3	G	9	Socket Housing				
656-IL-Z-10S-S125C3	IL-Z-10S-S125C3	G	10	Socket Housing				
656-IL-Z-12S-S125C3	IL-Z-12S-S125C3	G	12	Socket Housing				
656-IL-Z-15S-S125C3	IL-Z-15S-S125C3	G	15	Socket Housing				
Contacts								
656-IL-Z-C3-A-15000	IL-Z-C3-A-15000	-	-	Crimp Contacts 28-30 AWG				



Rectangular Connectors JAE



This product is RoHS compliant.

PICO-EZMATE™ 1.20MM (.047") PITCH WIRE-TO-BOARD CONNECTORS

Specifications:

- Housing: LCP, UL94V-0, Black
- Contact Plating: Gold
- Voltage: 50V max.
- Current: 1.5A max.

Features:

- Ultra Low Profile
- 1.4mm mated height
- Easy Vertical Mating
- Audible Click to ensure mating integrity

For quantities greater than listed, call for quote.

MOUSER STOCK NO.	Molex Part No.	Fig.	No. of Circuits	Overall Length (mm)	First to Last Circuit (mm)	Price Each			
						1	10	100	500
Receptacle Housings									
538-78172-0002	78172-0002	A	2	2.6	1.2				
538-78172-0003	78172-0003	A	3	3.8	2.4				
538-78172-0004	78172-0004	A	4	5.0	3.6				
538-78172-0005	78172-0005	A	5	6.2	4.8				
538-78172-5006	78172-5006	A	6	7.34	6.0				
Headers - Vertical									
538-78171-0002	78171-0002	B	2	4.2	1.2				
538-78171-0003	78171-0003	B	3	5.4	2.4				
538-78171-0004	78171-0004	B	4	6.6	3.6				
538-78171-0005	78171-0005	B	5	7.8	4.8				
538-78171-5006	78171-5006	B	6	9.0	6.0				

Terminal - Use with Receptacle Housing

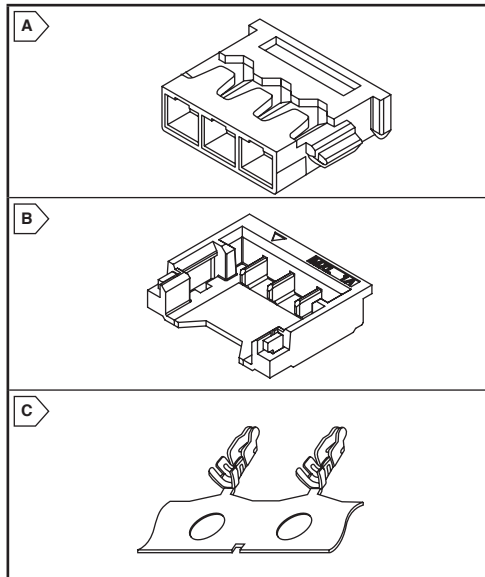
For quantities greater than listed, call for quote.

MOUSER STOCK NO.	Molex Part No.	Fig.	Wire Gauge	Contact	Contact Plating	Price Each			
						1	10	100	500
538-78172-0410	78172-0410	C	28-30	Copper Alloy	Gold				

Tooling

For quantities greater than listed, call for quote.

MOUSER STOCK NO.	Molex Part No.	Fig.	Wire Gauge	Description	Price Each
538-63819-4300	63819-4300	-	28-30	Hand Crimp Tool	



DURA CLIK™ 2.00MM (.079") PITCH WIRE-TO-BOARD CONNECTORS

Specifications:

- Housing: Receptacle PBT White, Header PBT Beige
- Contact Plating: Tin
- Voltage: 125V max.
- Current: 3A max.

Features:

- Secure inner lock system
- Wide/long end fitting solder nails
- SMT tail protector
- Positive lock with audible click

For quantities greater than listed, call for quote.

MOUSER STOCK NO.	Molex Part No.	Fig.	No. of Circuits	Overall Length (mm)	First to Last Circuit (mm)	Price Each			
						1	10	100	500
Receptacle Housings									
538-502351-0200	502351-0200	A	2	6.1	4				
538-502351-0400	502351-0400	A	4	10.1	8				
538-502351-0600	502351-0600	A	6	14.1	12				
538-502351-0800	502351-0800	A	8	18.1	16				
Headers - Right Angle									
538-502352-0200	502352-0200	B	2	8	4				
538-502352-0400	502352-0400	B	4	12	8				
538-502352-0600	502352-0600	B	6	16	12				
538-502352-0800	502352-0800	B	8	20	16				

Terminal - Female

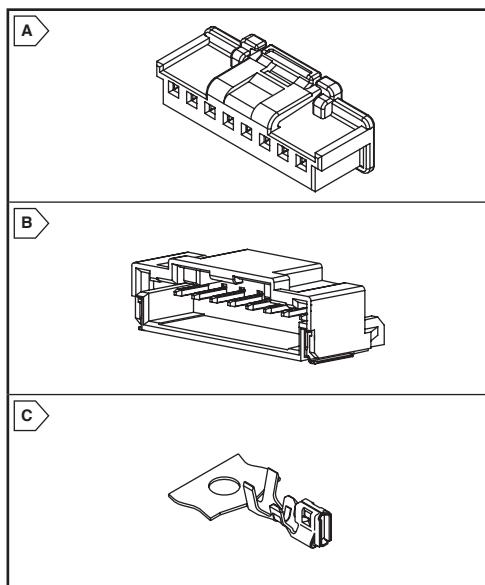
For quantities greater than listed, call for quote.

MOUSER STOCK NO.	Molex Part No.	Fig.	Wire Gauge	Contact	Contact Plating	Price Each			
						1	10	100	500
538-50212-8100	50212-8100	C	24-30	Phosphor Bronze	Tin				

Tooling

For quantities greater than listed, call for quote.

MOUSER STOCK NO.	Molex Part No.	Fig.	Wire Gauge	Description	Price Each
538-63819-0500	63819-0500	-	24-30	Hand Crimp Tool	



FLEXI-MATE™ 3.70MM (.146") PITCH BOARD-TO-BOARD AND WIRE-TO-BOARD CONNECTORS

Specifications:

- Voltage (max.): 500V
- Current (max.): 2.0A max.
- Contact Resistance: 40 milliohms max.
- Dielectric Withstanding Voltage: 1500V AC
- Insulation Resistance: 1,000 Megohms min.

Features:

- Board-to-board, wire-to-board and terminator options
- Positive side latches on crimp housing
- Dual-contact wire-to-board and board-to-board terminal design
- Mating guide features on PCB versions
- Shrouded contacts

For quantities greater than listed, call for quote.

MOUSER STOCK NO.	Molex Part No.	Fig.	No. of Circuits	Overall Length (mm)	First to Last Circuit (mm)	Price Each			
						1	10	100	500
PCB Receptacle									
538-503471-0200	503471-0200	A	2	9.75	3.7				
PCB Plug									
538-503469-0200	503469-0200	B	2	9.3	3.7				
Terminator Receptacle									
538-503474-0200	503474-0200	C	2	9.3	3.7				
Crimp Housing									
538-503473-0200	503473-0200	D	2	12.2	3.7				

Crimp Terminal

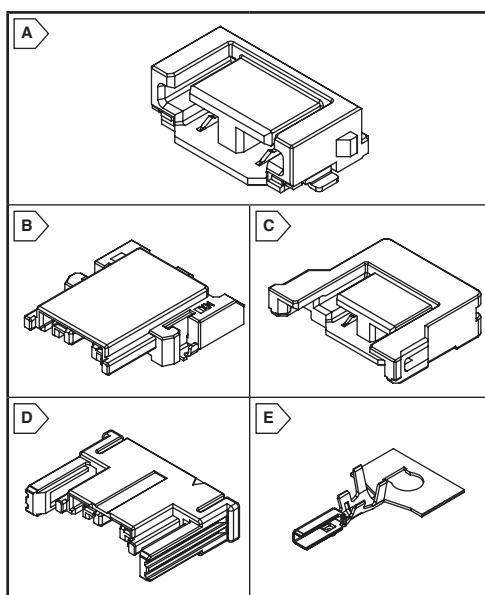
For quantities greater than listed, call for quote.

MOUSER STOCK NO.	Molex Part No.	Fig.	Plating	AWG	Price Each			
					1	10	100	500
538-503485-0000	503485-0000	E	Tin	26-28				

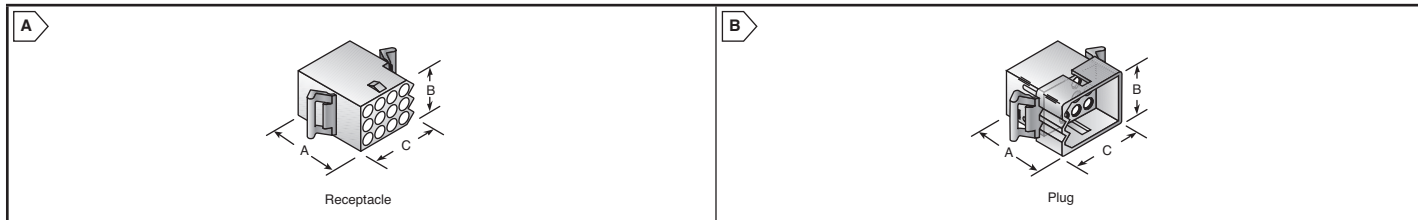
Tooling

For quantities greater than listed, call for quote.

MOUSER STOCK NO.	Molex Part No.	Fig.	Wire Gauge	Description	Price Each
538-63823-5800	63823-5800	-	26-28	Hand Crimp Tool	



MOLEX .062" Pin and Socket Connectors



STANDARD .062" RECEPTACLES

- UL94V-2, Nylon
- Friction lock
- Polarized housing assures proper mating
- Male and female terminals may be used in receptacle housings
- Detent Lock
- RoHS compliant per Molex documentation



Panel Mount Receptacles - With Ears

For quantities greater than listed, call for quote.

MOUSER STOCK NO.	Molex Part No.	Fig.	No. of Pos.	Circuit Pattern	Dimensions: in.			Price Each		
					A	B	C	1	10	100
538-03-06-1022	03-06-1022	A	2	In-line	.81	.19	.34			
538-03-06-1038	03-06-1038	A	3	In-line	.78	.19	.48			
538-03-06-1043	03-06-1043	A	4	Matrix	.77	.34	.34			
538-03-06-1055	03-06-1055	A	5	In-line	.78	.19	.78			
538-03-06-1061	03-06-1061	A	6	Matrix	.78	.49	.34			
538-03-06-1121	03-06-1121	A	12	Matrix	.78	.49	.63			
538-03-06-6155	03-06-6155	A	15	Matrix	.78	.49	.77			
538-03-06-1241	03-06-1241	A	24	Matrix	.75	.63	.92			
538-03-06-1361	03-06-1361	A	36	Matrix	.78	.69	1.50			

STANDARD .062" PLUGS

- UL94V-2, Nylon
- Friction lock
- Polarized housing assures proper mating
- Male and female terminals may be used in plug housings
- Detent Locking Window



Panel Mount Plugs - With Ears

For quantities greater than listed, call for quote.

MOUSER STOCK NO.	Molex Part No.	Fig.	No. of Pos.	Circuit Pattern	Dimensions: in.			Price Each		
					A	B	C	1	10	100
538-03-06-2024	03-06-2024	B	2	In-line	.78	.30	.44			
538-03-06-2033	03-06-2033	B	3	In-line	.75	.30	.59			
538-03-06-2041	03-06-2041	B	4	In-line	.75	.29	.73			
538-03-06-2043	03-06-2043	B	4	Matrix	.77	.44	.44			
538-03-06-2054	03-06-2054	B	5	In-line	.75	.31	.89			
538-03-06-2062	03-06-2062	B	6	Matrix	.75	.60	.45			
538-03-06-2091	03-06-2091	B	9	Matrix	.75	.59	.59			
538-03-06-2121	03-06-2121	B	12	Matrix	.75	.59	.74			
538-03-06-2151	03-06-2151	B	15	Matrix	.75	.59	.87			
538-03-06-2241	03-06-2241	B	24	Matrix	.75	.74	1.02			

Free-Hanging Receptacles - Without Ears

For quantities greater than listed, call for quote.

MOUSER STOCK NO.	Molex Part No.	Fig.	No. of Pos.	Circuit Pattern	Dimensions: in.			Price Each		
					A	B	C	1	10	100
538-03-06-1011	03-06-1011	A	1	In-line	.78	---	.19			
538-03-06-1023	03-06-1023	A	2	In-line	.81	.19	.34			
538-03-06-1032	03-06-1032	A	3	In-line	.78	.19	.48			
538-03-06-1042	03-06-1042	A	4	In-line	.78	.19	.63			
538-03-06-1044	03-06-1044	A	4	Matrix	.77	.34	.34			
538-03-06-1056	03-06-1056	A	5	In-line	.78	.19	.78			
538-03-06-1062	03-06-1062	A	6	Matrix	.78	.49	.34			
538-03-06-1092	03-06-1092	A	9	Matrix	.78	.49	.49			
538-03-06-1122	03-06-1122	A	12	Matrix	.78	.49	.63			
538-03-06-1152	03-06-1152	A	15	Matrix	.78	.49	.77			

Free-Hanging Plugs - Without Ears

For quantities greater than listed, call for quote.

MOUSER STOCK NO.	Molex Part No.	Fig.	No. of Pos.	Circuit Pattern	Dimensions: in.			Price Each		
					A	B	C	1	10	100
538-03-06-2011	03-06-2011	B	1	In-line	.75	---	.30			
538-03-06-2023	03-06-2023	B	2	In-line	.78	.30	.44			
538-03-06-2032	03-06-2032	B	3	In-line	.75	.30	.59			
538-03-06-2042	03-06-2042	B	4	In-line	.75	.29	.73			
538-03-06-2044	03-06-2044	B	4	Matrix	.77	.44	.44			
538-03-06-2055	03-06-2055	B	5	In-line	.75	.31	.89			
538-03-06-2061	03-06-2061	B	6	Matrix	.75	.60	.45			
538-03-06-2092	03-06-2092	B	9	Matrix	.75	.59	.59			
538-03-06-2122	03-06-2122	B	12	Matrix	.75	.59	.74			
538-03-06-2152	03-06-2152	B	15	Matrix	.75	.59	.87			
538-03-06-2242	03-06-2242	B	24	Matrix	.75	.74	1.02			

STANDARD .062" FEMALE TERMINALS



For quantities greater than listed, call for quote.

MOUSER STOCK NO.	Molex Part No.	Type	Wire Size AWG	Price Each		
				1	100	500
Female - Tin						
538-02-06-1103	02-06-1103	Crimp	18 - 24			
538-02-06-1132	02-06-1132	Crimp	24 - 30			
Female - 15µ" Gold						
538-02-06-5103	02-06-5103	Crimp	18 - 24			
538-02-06-5135	02-06-5135	Crimp	24 - 30			
Female - 30µ" Gold						
538-02-06-5102	02-06-5102	Crimp	18 - 24			
Female - .008" Tin						
538-02-06-7103	02-06-7103	PC tail	-			
Female - 30µ" Gold PC Tail Tin						
538-02-06-7104	02-06-7104	PC tail	-			

STANDARD .062" MALE TERMINALS



For quantities greater than listed, call for quote.

MOUSER STOCK NO.	Molex Part No.	Type	Wire Size AWG	Price Each		
				1	100	500
Male - Tin						
538-02-06-2103	02-06-2103	Crimp	18 - 24			
538-02-06-2132	02-06-2132	Crimp	24 - 30			
Male - 15µ" Gold						
538-02-06-6103	02-06-6103	Crimp	18 - 24			
538-02-06-6135	02-06-6135	Crimp	24 - 30			
Male - 30µ" Gold						
538-02-06-6102	02-06-6102	Crimp	18 - 24			
Male - .008" Tin						
538-02-06-8103	02-06-8103	PC tail	-			
Male - 30µ" Gold PC Tail Tin						
538-02-06-6122	02-06-6122	PC tail	-			

DESIGNER/SERVICE KITS

Includes: connectors, crimp tool, and extraction tool

For quantities greater than listed, call for quote.

MOUSER STOCK NO.	Description	Price Each
538-WM-72	.062" connector kit with crimp tool	
538-MXWM-72	.062" connector kit with premium crimp tool	

TOOLING

For quantities greater than listed, call for quote.

MOUSER STOCK NO.	Description	Price Each
538-63819-1300	Hand Crimp Tool	
538-11-03-0002	Extraction	
538-11-02-0001	Insertion Tool	

MOLEX Pin and Socket Connectors and Tools (.084"- MLX Series)

PLUGS

Series 42021

Features:

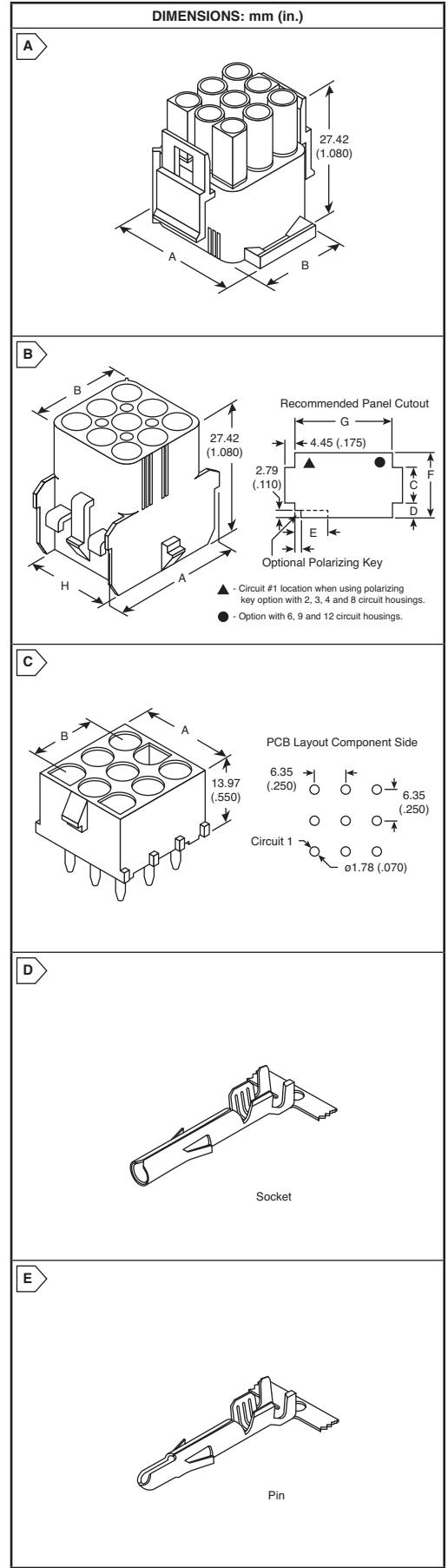
- Intermateable, interchangeable, and intermountable with industry-standard versions
- Positive Locks
- Fully isolated contacts
- Circuit ID grooves to reduce assembly errors
- Anti-stress positioning tabs to reduce breakage
- Mates with: Series 42022 Receptacles and Series 42002 Headers
- Material, plug housing: Nylon, UL94V-2, White
- Operating Temperature: -55° to +105°C
- Voltage: 600V ⚡
- UL File No: E29179
- CSA File No: LR19980



For quantities greater than listed, call for quote.

MOUSER STOCK NO.	Molex Part No.	Fig.	No. of Positions	Amps/Circuit (Max.):*	Dimensions: in.		Price Each			
					A	B	1	10	100	500
538-50-84-1020	50-84-1020	A	2	13.5	0.580	0.550				
538-50-84-1030	50-84-1030	A	3	13.5	0.580	0.800				
538-50-84-1040	50-84-1040	A	4	13.5	0.580	1.050				
538-50-84-1060	50-84-1060	A	6	11	1.080	0.550				
538-50-84-1090	50-84-1090	A	9	11	1.080	0.800				
538-50-84-1120	50-84-1120	A	12	11	1.080	1.050				
538-50-84-1150	50-84-1150	A	15	11	1.080	1.30				

* Ratings are per circuit, based on fully loaded housings



RECEPTACLES

Series 42022

Features:

- Intermateable, interchangeable and intermountable with industry-standard versions
- Positive locks
- Fully isolated contacts
- Circuit ID grooves to reduce assembly errors
- Anti-stress positioning tabs to reduce breakage
- Mates with: Series 42021
- Material, receptacle housing: Nylon, UL94V-2, White
- Operating Temperature: -55° to +105°C
- Voltage: 600V ⚡
- UL File No: E29179
- CSA File No: LR19980



For quantities greater than listed, call for quote.

MOUSER STOCK NO.	Molex Part No.	Fig.	No. of Pos.	Amps/Circuit (Max.):*	Dimensions: in.								Price Each			
					A	B	C**:	D	E	F	G	H	1	10	100	500
538-50-84-2020	50-84-2020	B	2	13.5	.62	.300	.340	.095	.250	.53	.565	.550				
538-50-84-2030	50-84-2030	B	3	13.5	.62	.300	.340	.095	.250	.53	.815	.800				
538-50-84-2040	50-84-2040	B	4	13.5	.62	.300	.340	.095	.250	.53	1.065	1.050				
538-50-84-2060	50-84-2060	B	6	11	1.12	.800	.340	.275	.250	1.03	.565	.550				
538-50-84-2090	50-84-2090	B	9	11	1.12	.800	.480	.275	.250	1.03	.815	.800				
538-50-84-2120	50-84-2120	B	12	11	1.12	.800	.480	.275	.350	1.03	1.065	1.050				
538-50-84-2150	50-84-2150	B	15	11	1.12	.800	.480	.275	.350	1.03	1.315	1.300				

* Ratings are per circuit, based on fully loaded housings

** Cap housing should be installed into panel in the same direction as the panel cutout is punched

VERTICAL HEADERS

Features:

- Material: Header Housing: UL94V-2, White; Header Contact: Phosphor Bronze Plating: Tin
- Operating Temperature: -55°C to +105°C
- Voltage: 600V ⚡
- Amperes: 2, 3, 4 circuits all 13.5
- Amperes: 6, 9, 12, 15 circuits all 11.0



For quantities greater than listed, call for quote.

MOUSER STOCK NO.	Molex Part No.	Fig.	No. of Positions	Description	Dimensions: in.		Price Each			
					A	B	1	10	100	500
538-10-84-4020	10-84-4020	C	2	Male	0.300	0.550				
538-10-84-4022	10-84-4022	C	2	Female	0.300	0.550				
538-10-84-4030	10-84-4030	C	3	Male	0.300	0.800				
538-10-84-4032	10-84-4032	C	3	Female	0.300	0.800				
538-10-84-4040	10-84-4040	C	4	Male	0.300	1.050				
538-10-84-4042	10-84-4042	C	4	Female	0.300	1.050				
538-10-84-4060	10-84-4060	C	6	Male	0.800	0.550				
538-10-84-4062	10-84-4062	C	6	Female	0.800	0.550				
538-10-84-4090	10-84-4090	C	9	Male	0.800	0.800				
538-10-84-4092	10-84-4092	C	9	Female	0.800	0.800				
538-10-84-4120	10-84-4120	C	12	Male	0.800	1.050				
538-10-84-4122	10-84-4122	C	12	Female	0.800	1.050				
538-10-84-4150	10-84-4150	C	15	Male	0.800	1.300				
538-10-84-4152	10-84-4152	C	15	Female	0.800	1.300				

* Ratings are per circuit, based on fully loaded housings

CONTACTS

Features:

- Plating: Tin
- Insulation Diameter: 10-12AWG: 3.30 (.130) min., 5.08 (.200) max.
- Insulation Diameter: 14-20AWG: 1.52 (.060) min., 3.30 (.130) max.

For quantities greater than listed, call for quote.

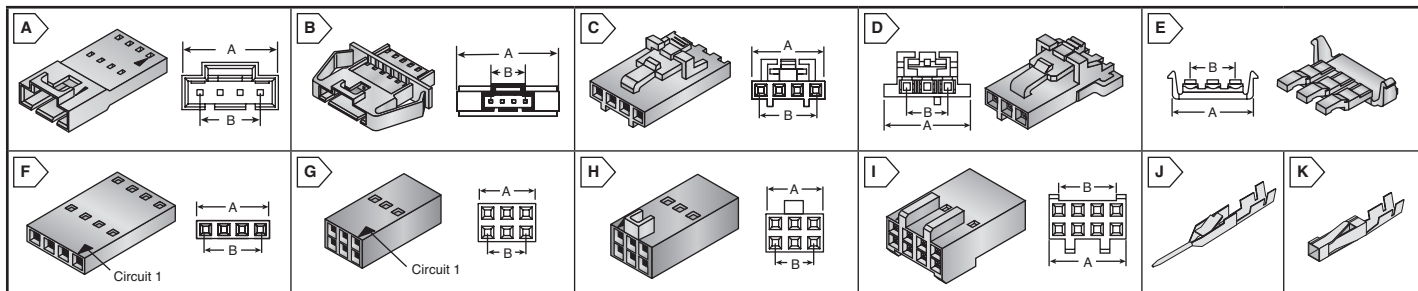
MOUSER STOCK NO.	Molex Part No.	Fig.	Wire Size (AWG)	Description	Type	Price Each			
						1	100	500	1000
538-36664-0002	36664-0002	D	10-12	Female	Standard Brass .012"				
538-02-08-1002	02-08-1002	D	14-20	Female	Standard Brass .012"				
538-02-08-1004	02-08-1004	D	14-20	Female	Phosphor Bronze .012"				
538-36663-0002	36663-0002	E	10-12	Male	Standard Brass .012"				
538-02-08-2004	02-08-2004	E	14-20	Male	Standard Brass .012"				
538-02-08-2006	02-08-2006	E	14-20	Male	Phosphor Bronze .012"				

TOOLS

For quantities greater than listed, call for quote.

MOUSER STOCK NO.	Molex Part No.	Wire Size (AWG)	Description	Price Each
538-11-01-0168	11-01-0168	14-20	Extraction Tool	
538-63811-6800	63811-6800	14-20	Hand Tool	

MOLEX 2.54mm/.100" SL™ Connectors



2.54MM (.100") SL™ WIRE TO WIRE CRIMP HOUSINGS

Features:

- Housing: Black glass-filled polyester, UL94V-0
- Mounting ears for insertion into .030" to .090" thick panels
- Locking crown secures positive latch to connector
- Operating Temperature: -40°C to +105°C
- RoHS compliant per Molex documentation



For quantities greater than listed, call for quote.

MOUSER STOCK NO.	Molex Part No.	Fig.	No. of Circuits	Dimensions: in.		Price Each				
				A	B	1	10	100	500	
Single Row, No Mounting Ears										
538-70107-0001	70107-0001	A	2	.280	.100					
538-70107-0002	70107-0002	A	3	.380	.200					
538-70107-0003	70107-0003	A	4	.480	.300					
538-70107-0004	70107-0004	A	5	.580	.400					
538-70107-0005	70107-0005	A	6	.680	.500					
538-70107-0006	70107-0006	A	7	.780	.600					
538-70107-0007	70107-0007	A	8	.880	.700					
538-70107-0008	70107-0008	A	9	.980	.800					
538-70107-0011	70107-0011	A	12	1.280	1.100					
538-70107-0013	70107-0013	A	14	1.480	1.300					
Single Row, Mounting Ears										
538-70107-0036	70107-0036	B	2	.650	.100					
538-70107-0037	70107-0037	B	3	.750	.200					
538-70107-0038	70107-0038	B	4	.850	.300					
538-70107-0039	70107-0039	B	5	.950	.400					
538-70107-0040	70107-0040	B	6	1.050	.500					

2.54MM (.100") SL™ CRIMP HOUSINGS

- Housing: Black glass-filled polyester, UL 94V-0
- TPA: White glass-filled polyester, UL94V-0
- Positive Latch: Secures connectors to locking crown of mating connector
- TPA Piece: Eliminates terminal blackout when TPA is locked into place
- Non-polarized: End to end and side to side stackable



- Operating Temperature: -40°C to 105°C
- Series 70066 and 73838
- RoHS compliant per Molex documentation

For quantities greater than listed, call for quote.

MOUSER STOCK NO.	Molex Part No.	Fig.	No. of Circuits	Dimensions: in.		Price Each				
				A	B	1	10	100	500	
Single Row, Positive Latch										
538-50-57-9402	50-57-9402	C	2	.199	.100					
538-50-57-9403	50-57-9403	C	3	.299	.200					
538-50-57-9404	50-57-9404	C	4	.399	.300					
538-50-57-9405	50-57-9405	C	5	.499	.400					
538-50-57-9406	50-57-9406	C	6	.599	.500					
538-50-57-9407	50-57-9407	C	7	.699	.600					
538-50-57-9408	50-57-9408	C	8	.799	.700					
538-50-57-9409	50-57-9409	C	9	.899	.800					
538-50-57-9410	50-57-9410	C	10	.999	.900					
538-50-57-9411	50-57-9411	C	11	1.099	1.000					
538-50-57-9412	50-57-9412	C	12	1.199	1.100					
538-50-57-9414	50-57-9414	C	14	1.399	1.300					
538-50-57-9416	50-57-9416	C	16	1.599	1.500					
Single Row TPA, Positive Latch										
538-50-57-9702	50-57-9702	D	2	.197	.100					
538-50-57-9703	50-57-9703	D	3	.297	.200					
538-50-57-9704	50-57-9704	D	4	.397	.300					
538-50-57-9705	50-57-9705	D	5	.497	.400					
538-50-57-9706	50-57-9706	D	6	.597	.500					
538-50-57-9707	50-57-9707	D	7	.697	.600					
538-50-57-9708	50-57-9708	D	8	.797	.700					
TPA (Terminal Position Assurance) Piece										
538-73838-0002	73838-0002	E	2	.259	.100					
538-73838-0003	73838-0003	E	3	.359	.200					
538-73838-0004	73838-0004	E	4	.459	.300					
538-73838-0005	73838-0005	E	5	.559	.400					
538-73838-0006	73838-0006	E	6	.659	.500					
538-73838-0007	73838-0007	E	7	.759	.600					
538-73838-0008	73838-0008	E	8	.859	.700					
Single Row, Non-Polarized										
538-50-57-9002	50-57-9002	F	2	.199	.100					
538-50-57-9003	50-57-9003	F	3	.299	.200					
538-50-57-9004	50-57-9004	F	4	.399	.300					
538-50-57-9005	50-57-9005	F	5	.499	.400					
538-50-57-9006	50-57-9006	F	6	.599	.500					
538-50-57-9007	50-57-9007	F	7	.699	.600					
538-50-57-9008	50-57-9008	F	8	.799	.700					
538-50-57-9009	50-57-9009	F	9	.899	.800					
538-50-57-9010	50-57-9010	F	10	.999	.900					

2.54MM (.100") SL™ CRIMP HOUSINGS (CONT.)

Features:

- Housing: Black glass-filled polyester, UL94V-0
- Non-Polarized: End to end and side to side stackable
- Polarized: Mates with dual low profile shrouded headers
- Operating Temperature: -40°C to +105°C
- Series 70450
- RoHS compliant per Molex documentation



For quantities greater than listed, call for quote.

MOUSER STOCK NO.	Molex Part No.	Fig.	No. of Circuits	Dimensions: in.		Price Each				
				A	B	1	10	100	500	
Dual Row, Non-Polarized										
538-22-55-2041	22-55-2041	G	4	.199	.100					
538-22-55-2061	22-55-2061	G	6	.299	.200					
538-22-55-2081	22-55-2081	G	8	.399	.300					
538-22-55-2101	22-55-2101	G	10	.499	.400					
538-22-55-2121	22-55-2121	G	12	.599	.500					
538-22-55-2141	22-55-2141	G	14	.699	.600					
538-22-55-2161	22-55-2161	G	16	.799	.700					
538-22-55-2181	22-55-2181	G	18	.899	.800					
538-22-55-2201	22-55-2201	G	20	.999	.900					
538-22-55-2261	22-55-2261	G	26	1.299	1.200					
538-22-55-2301	22-55-2301	G	30	1.499	1.400					
538-22-55-2401	22-55-2401	G	40	1.999	1.900					
538-22-55-2501	22-55-2501	G	50	2.499	2.400					
Dual Row, Polarized, Version B										
538-22-55-2062	22-55-2062	H	6	.299	.200					
538-22-55-2082	22-55-2082	H	8	.399	.300					
538-22-55-2102	22-55-2102	H	10	.499	.400					
538-22-55-2122	22-55-2122	H	12	.599	.500					
538-22-55-2142	22-55-2142	H	14	.699	.600					
538-22-55-2162	22-55-2162	H	16	.799	.700					
Dual Row, Polarized, Version F										
538-22-56-6087	22-56-6087	I	8	.399	.300					
538-22-56-6107	22-56-6107	I	10	.499	.400					
538-22-56-6127B	22-56-6127B	I	12	.599	.500					
538-22-56-6167	22-56-6167	I	16	.799	.700					
538-22-56-6207	22-56-6207	I	20	.999	.900					

CRIMP TERMINALS

- Dual tab strain relief
- Locking tang secures terminal in housing
- Phosphor bronze
- Voltage: 250V
- Current: 3.0A

- Operating Temperature: -40°C to +105°C
- Male use with series 70107
- Female use with series 70066 and 70450
- RoHS compliant per Molex documentation



* High Force

For quantities greater than listed, call for quote.

MOUSER STOCK NO.	Molex Part No.	Fig.	Type	AWG	Plating	Price Each			
						1	100	500	1000
538-16-02-0117	16-02-0117	J	Male	22-24	30µ" Gold				
538-16-02-0110	16-02-0110	J	Male	24-30	30µ" Gold				
538-16-02-0115	16-02-0115	J	Male	22-24	15µ" Gold				
538-16-02-0109	16-02-0109	J	Male	24-30	15µ" Gold				
538-16-02-0114	16-02-0114	J	Male	22-24	150µ" Tin				
538-16-02-0108	16-02-0108	J	Male	24-30	150µ" Tin				
538-16-02-0104	16-02-0104	K	Female	22-24	30µ" Gold				
538-16-02-0098	16-02-0098	K	Female	24-30	30µ" Gold				
538-16-02-0103	16-02-0103	K	Female	22-24	15µ" Gold				
538-16-02-0097	16-02-0097	K	Female	24-30	15µ" Gold				
538-16-02-0102	16-02-0102	K	Female	22-24	150µ" Tin				
538-16-02-0096	16-02-0096	K	Female	24-30	150µ" Tin				
538-16-02-1125	16-02-1125	K	*Female	22-24	15µ" Gold				
538-16-02-1109	16-02-1109	K	*Female	24-30	15µ" Gold				
538-16-02-1114	16-02-1114	K	*Female	22-24	150µ" Tin				
538-16-02-1116	16-02-1116	K	*Female	24-30	150µ" Tin				

TOOLS

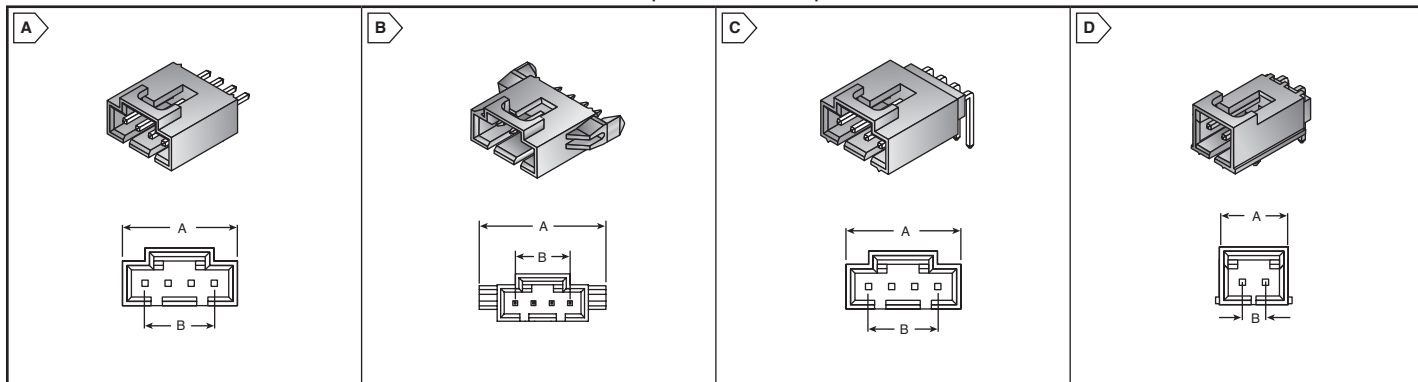
For quantities greater than listed, call for quote.

MOUSER STOCK NO.	Molex Part No.	Description	Price Each
538-63811-8700	63811-8700	Hand Crimp Tool, 22-24 AWG	
538-63811-8800	63811-8800	Hand Crimp Tool, 24-30 AWG	
538-11-02-0022	11-02-0022	Insertion Tool	
538-11-03-0036	11-03-0036	Extraction Tool	

MOLEX 2.54mm (.100") SL™ Shrouded PCB Headers

molex
one company a world of innovation

RoHS Compliant This product is RoHS compliant.



SINGLE ROW, VERTICAL

Specifications:

- Housing: Black glass filled PCT, UL 94V-0
- Contact: Phosphor bronze, .025" square
- Operating Temperature: -40°C to +105°C
- Voltage: 250V
- Current: 3.0A
- .120" Pocket



PCB Headers

Features:

- Locking crown secures positive latch to header
- Standoffs minimize flux retention
- Polarization slots guide front ribs of mating connector to prevent pin damage
- Mates with series 70066
- Surface mount compatible
- Wire to board
- RoHS Compliant per Molex documentation

For quantities greater than listed, call for quote.

MOUSER STOCK NO.	Molex Part No.	Fig.	No. of Cir.	Contact Plating	Dim. (in.)		Price Each			
					A	B	1	10	100	500
538-70543-0036	70543-0036	A	2	Tin	.29	.10				
538-70543-0001	70543-0001	A	2	15µ" Gold	.29	.10				
538-70543-0106	70543-0106	A	2	30µ" Gold	.29	.10				
538-70543-0037	70543-0037	A	3	Tin	.40	.20				
538-70543-0002	70543-0002	A	3	15µ" Gold	.40	.20				
538-70543-0107	70543-0107	A	3	30µ" Gold	.40	.20				
538-70543-0038	70543-0038	A	4	Tin	.50	.30				
538-70543-0003	70543-0003	A	4	15µ" Gold	.50	.30				
538-70543-0108	70543-0108	A	4	30µ" Gold	.50	.30				
538-70543-0039	70543-0039	A	5	Tin	.60	.40				
538-70543-0004	70543-0004	A	5	15µ" Gold	.60	.40				
538-70543-0109	70543-0109	A	5	30µ" Gold	.60	.40				
538-70543-0040	70543-0040	A	6	Tin	.70	.50				
538-70543-0005	70543-0005	A	6	15µ" Gold	.70	.50				
538-70543-0110	70543-0110	A	6	30µ" Gold	.70	.50				
538-70543-0006	70543-0006	A	7	15µ" Gold	.80	.60				
538-70543-0042	70543-0042	A	8	Tin	.90	.70				
538-70543-0007	70543-0007	A	8	15µ" Gold	.90	.70				
538-70543-0112	70543-0112	A	8	30µ" Gold	.90	.70				
538-705430008	70543-0008	A	9	15µ" Gold	1.00	.80				
538-70543-0044	70543-0044	A	10	Tin	1.10	.90				
538-705430009	70543-0009	A	10	15µ" Gold	1.10	.90				
538-70543-0010	70543-0010	A	11	15µ" Gold	1.20	1.00				
538-70543-0011	70543-0011	A	12	15µ" Gold	1.30	1.10				

Headers with Plastic Tri-Peg

Features:

- Locking crown secures positive latch to header
- Standoffs minimize flux retention
- Polarization slots guide front ribs of mating connector to prevent pin damage
- Mates with series 70066
- Surface mount compatible
- Wire to board
- RoHS Compliant per Molex documentation



For quantities greater than listed, call for quote.

MOUSER STOCK NO.	Molex Part No.	Fig.	No. of Cir.	Contact Plating	Dim. (in.)		Price Each			
					A	B	1	10	100	500
538-70545-0001	70545-0001	B	2	Tin	.488	.10				
538-70545-0036	70545-0036	B	2	15µ" Gold	.488	.10				
538-70545-0071	70545-0071	B	2	30µ" Gold	.488	.10				
538-70545-0002	70545-0002	B	3	Tin	.588	.20				
538-70545-0037	70545-0037	B	3	15µ" Gold	.588	.20				
538-70545-0072	70545-0072	B	3	30µ" Gold	.588	.20				
538-70545-0003	70545-0003	B	4	Tin	.69	.30				
538-70545-0038	70545-0038	B	4	15µ" Gold	.688	.30				
538-70545-0073	70545-0073	B	4	30µ" Gold	.688	.30				
538-70545-0039	70545-0039	B	5	15µ" Gold	.788	.40				
538-70545-0074	70545-0074	B	5	30µ" Gold	.79	.40				
538-70545-0005	70545-0005	B	6	Tin	.89	.50				
538-70545-0040	70545-0040	B	6	15µ" Gold	.888	.50				
538-70545-0075	70545-0075	B	6	30µ" Gold	.888	.50				
538-70545-0041	70545-0041	B	7	15µ" Gold	.988	.60				
538-70545-0042	70545-0042	B	8	15µ" Gold	1.088	.70				
538-70545-0077	70545-0077	B	8	30µ" Gold	1.09	.70				
538-70545-0043	70545-0043	B	9	15µ" Gold	1.19	.80				
538-70545-0044	70545-0044	B	10	15µ" Gold	1.288	.90				
538-70545-0079	70545-0079	B	10	30µ" Gold	1.288	.90				
538-70545-0046	70545-0046	B	12	15µ" Gold	1.488	1.10				

SINGLE ROW, RIGHT ANGLE, LOW PROFILE

Specifications:

- Housing: Black glass filled PCT, UL 94V-0
- Contact: Phosphor bronze, .025" square
- Operating Temperature: -40°C to +105°C
- Voltage: 250V
- Current: 3.0A
- .120" Pocket



PCB Headers

Features:

- Locking crown secures positive latch to header
- Polarization slots guide front ribs of mating connector to prevent pin damage
- Standoffs minimize flux retention
- Surface mount compatible
- Housing: Black glass filled PCT, UL 94V-0
- Contact: Phosphor bronze, .025" square
- Mates with series 70066
- Wire to board
- RoHS Compliant per Molex documentation

For quantities greater than listed, call for quote.

MOUSER STOCK NO.	Molex Part No.	Fig.	No. of Cir.	Contact Plating	Dim. (in.)		Price Each			
					A	B	1	10	100	500
538-70553-0036	70553-0036	C	2	Tin	.29	.10				
538-70553-0001	70553-0001	C	2	15µ" Gold	.29	.10				
538-70553-0106	70553-0106	C	2	30µ" Gold	.29	.10				
538-70553-0037	70553-0037	C	3	Tin	.40	.20				
538-70553-0002	70553-0002	C	3	15µ" Gold	.40	.20				
538-70553-0038	70553-0038	C	4	Tin	.50	.30				
538-70553-0003	70553-0003	C	4	15µ" Gold	.50	.30				
538-70553-0108	70553-0108	C	4	30µ" Gold	.50	.30				
538-70553-0039	70553-0039	C	5	Tin	.60	.40				
538-70553-0004	70553-0004	C	5	15µ" Gold	.60	.40				
538-70553-0040	70553-0040	C	6	Tin	.70	.50				
538-705-53-0005	70553-0005	C	6	15µ" Gold	.70	.50				
538-70553-0006	70553-0006	C	7	15µ" Gold	.80	.60				
538-70553-0007	70553-0007	C	8	15µ" Gold	.90	.70				
538-705530008	70553-0008	C	9	15µ" Gold	1.00	.80				
538-705530009	70553-0009	C	10	15µ" Gold	1.10	.90				
538-70553-0011	70553-0011	C	12	15µ" Gold	1.30	1.10				

Headers with Plastic Tri-Peg

Features:

- Locking crown secures positive latch to header
- Polarization slots guide front ribs of mating connector to prevent pin damage
- Standoffs minimize flux retention
- Surface mount compatible
- Mates with series 70066
- Wire to board
- RoHS Compliant per Molex documentation
- Housing: Black glass filled PCT, UL 94V-0
- Contact: Phosphor bronze, .025" square



For quantities greater than listed, call for quote.

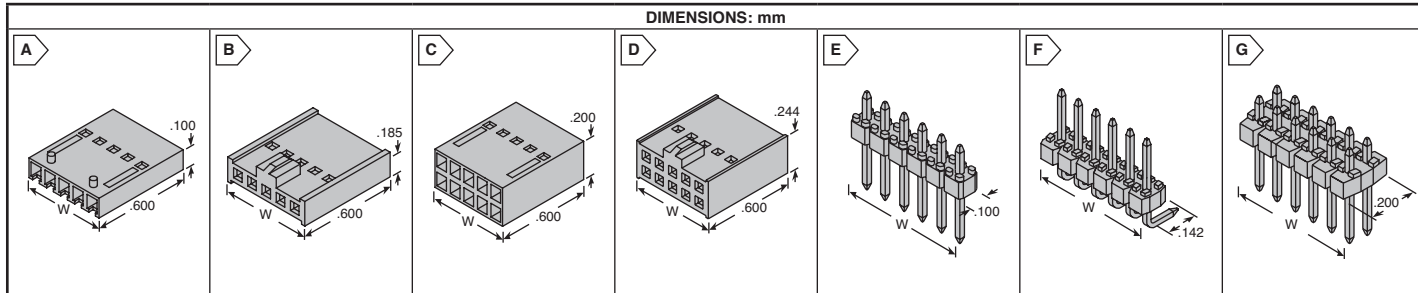
MOUSER STOCK NO.	Molex Part No.	Fig.	No. of Cir.	Contact Plating	Dim. (in.)		Price Each			
					A	B	1	10	100	500
538-70555-0001	70555-0001	D	2	Tin	.336	.10				
538-70555-0036	70555-0036	D	2	15µ" Gold	.336	.10				
538-70555-0071	70555-0071	D	2	30µ" Gold	.336	.10				
538-70555-0002	70555-0002	D	3	Tin	.436	.20				
538-70555-0037	70555-0037	D	3	15µ" Gold	.436	.20				
538-70555-0072	70555-0072	D	3	30µ" Gold	.436	.20				
538-70555-0003	70555-0003	D	4	Tin	.536	.30				
538-70555-0038	70555-0038	D	4	15µ" Gold	.536	.30				
538-70555-0073	70555-0073	D	4	30µ" Gold	.536	.30				
538-70555-0004	70555-0004	D	5	Tin	.64	.40				
538-70555-0039	70555-0039	D	5	15µ" Gold	.636	.40				
538-70555-0074	70555-0074	D	5	30µ" Gold	.636	.40				
538-70555-0005	70555-0005	D	6	Tin	.736	.50				
538-70555-0040	70555-0040	D	6	15µ" Gold	.736	.50				
538-70555-0075	70555-0075	D	6	30µ" Gold	.74	.50				
538-70555-0041	70555-0041	D	7	15µ" Gold	.836	.60				
538-70555-0042	70555-0042	D	8	15µ" Gold	.936	.70				
538-70555-0077	70555-0077	D	8	30µ" Gold	.94	.70				

MOLEX 2.54mm (.100") C-Grid® III™ Connectors

molex
one company a world of innovation

RoHS Compliant  This product is RoHS compliant.

DIMENSIONS: mm



MODULAR CRIMP HOUSINGS

C-Grid® III™ Series does NOT mate to C-Grid®.

For quantities greater than listed, call for quote.

MOUSER STOCK NO.	Molex Part No.	Fig.	No. of Circuits	Width (W): mm	Price Each			
					1	10	100	500
Single Row - 2 Polarizing Buttons								
538-90123-0102	90123-0102	A	2	0.200				
538-90123-0103	90123-0103	A	3	0.300				
538-90123-0104	90123-0104	A	4	0.400				
538-90123-0105	90123-0105	A	5	0.500				
538-90123-0106	90123-0106	A	6	0.600				
538-90123-0107	90123-0107	A	7	0.700				
538-90123-0108	90123-0108	A	8	0.800				
538-90123-0109	90123-0109	A	9	0.900				
538-90123-0110	90123-0110	A	10	1.000				
538-90123-0112	90123-0112	A	12	1.200				
538-90123-0113	90123-0113	A	13	1.300				
538-90123-0115	90123-0115	A	15	1.500				
538-90123-0118	90123-0118	A	18	1.800				
538-90123-0119	90123-0119	A	19	1.900				
538-90123-0124	90123-0124	A	24	2.400				
538-90123-0125	90123-0125	A	25	2.500				
Single Row								
538-90156-0142	90156-0142	B	2	0.242				
538-90156-0143	90156-0143	B	3	0.342				
538-90156-0144	90156-0144	B	4	0.442				
538-90156-0145	90156-0145	B	5	0.542				
538-90156-0146	90156-0146	B	6	0.642				
538-90156-0147	90156-0147	B	7	0.742				
538-90156-0148	90156-0148	B	8	0.842				
538-90156-0149	90156-0149	B	9	0.942				
538-90156-0150	90156-0150	B	10	1.042				
538-90156-0152	90156-0152	B	12	1.242				
538-90156-0153	90156-0153	B	13	1.342				
538-90156-0155	90156-0155	B	15	1.542				
538-90156-0156	90156-0156	B	16	1.642				
538-90156-0158	90156-0158	B	18	1.842				
538-90156-0160	90156-0160	B	20	2.042				
538-90156-0162	90156-0162	B	22	2.242				
538-90156-0165	90156-0165	B	25	2.542				
Dual Row With Out Polarizing Buttons								
538-90143-0004	90143-0004	C	4	0.200				
538-90143-0006	90143-0006	C	6	0.300				
538-90143-0008	90143-0008	C	8	0.400				
538-90143-0010	90143-0010	C	10	0.500				
538-90143-0012	90143-0012	C	12	0.600				
538-90143-0014	90143-0014	C	14	0.700				
538-90143-0016	90143-0016	C	16	0.800				
538-90143-0018	90143-0018	C	18	0.900				
538-90143-0020	90143-0020	C	20	1.000				
538-90143-0026	90143-0026	C	26	1.300				
538-90143-0034	90143-0034	C	34	1.700				
538-90143-0036	90143-0036	C	36	1.800				
538-90143-0040	90143-0040	C	40	2.000				
538-90143-0050	90143-0050	C	50	2.500				
538-90143-0060	90143-0060	C	60	3.000				
538-90143-0064	90143-0064	C	64	3.200				
Dual Row								
538-90142-0006	90142-0006	D	6	0.300				
538-90142-0008	90142-0008	D	8	0.400				
538-90142-0010	90142-0010	D	10	0.500				
538-90142-0012	90142-0012	D	12	0.600				
538-90142-0014	90142-0014	D	14	0.700				
538-90142-0016	90142-0016	D	16	0.800				
538-90142-0018	90142-0018	D	18	0.900				
538-90142-0020	90142-0020	D	20	1.000				
538-90142-0022	90142-0022	D	22	1.100				
538-90142-0024	90142-0024	D	24	1.200				
538-90142-0026	90142-0026	D	26	1.300				
538-90142-0030	90142-0030	D	30	1.500				
538-90142-0034	90142-0034	D	34	1.700				
538-90142-0036	90142-0036	D	36	1.800				
538-90142-0038	90142-0038	D	38	1.900				
538-90142-0040	90142-0040	D	40	2.000				
538-90142-0044	90142-0044	D	44	2.200				
538-90142-0050	90142-0050	D	50	2.500				

FEMALE TERMINALS

For quantities greater than listed, call for quote.

MOUSER STOCK NO.	Molex Part No.	Fig.	Plating	AWG	Price Each			
					1	10	100	500
538-90119-2109	90119-2109	-	Tin	22-24				
538-90119-2120	90119-2120	-	Tin	26-28				
538-90119-2110	90119-2110	-	Gold	22-24				
538-90119-2121	90119-2121	-	Gold	26-28				

HEADERS

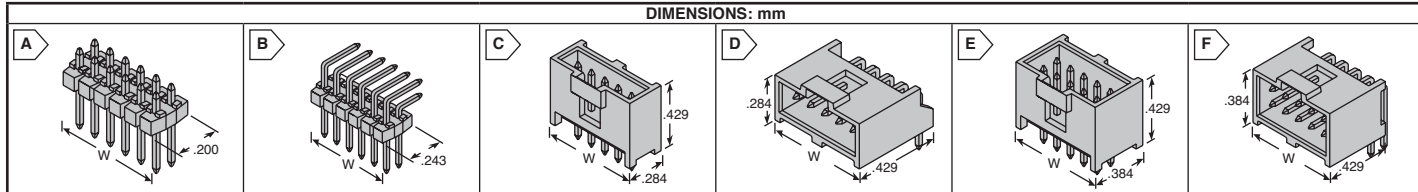
For quantities greater than listed, call for quote.

MOUSER STOCK NO.	Molex Part No.	Fig.	No. of Circuits	Width (W): mm	Price Each			
					1	10	100	500
Single Row - Vertical - Tin								
538-90120-0122	90120-0122	E	2	0.200				
538-90120-0123	90120-0123	E	3	0.300				
538-90120-0124	90120-0124	E	4	0.400				
538-90120-0125	90120-0125	E	5	0.500				
538-90120-0126	90120-0126	E	6	0.600				
538-90120-0127	90120-0127	E	7	0.700				
538-90120-0128	90120-0128	E	8	0.800				
538-90120-0129	90120-0129	E	9	0.900				
538-90120-0130	90120-0130	E	10	1.000				
538-90120-0131	90120-0131	E	11	1.100				
538-90120-0132	90120-0132	E	12	1.200				
538-90120-0160	90120-0160	E	40	4.000				
Single Row - Vertical - Gold								
538-90120-0762	90120-0762	E	2	0.200				
538-90120-0763	90120-0763	E	3	0.300				
538-90120-0764	90120-0764	E	4	0.400				
538-90120-0765	90120-0765	E	5	0.500				
538-90120-0766	90120-0766	E	6	0.600				
538-90120-0767	90120-0767	E	7	0.700				
538-90120-0768	90120-0768	E	8	0.800				
538-90120-0769	90120-0769	E	9	0.900				
538-90120-0770	90120-0770	E	10	1.000				
538-90120-0771	90120-0771	E	11	1.100				
538-90120-0772	90120-0772	E	12	1.200				
538-90120-0800	90120-0800	E	40	4.000				
Single Row - Right Angle - Tin								
538-90121-0122	90121-0122	F	2	0.200				
538-90121-0123	90121-0123	F	3	0.300				
538-90121-0124	90121-0124	F	4	0.400				
538-90121-0125	90121-0125	F	5	0.500				
538-90121-0126	90121-0126	F	6	0.600				
538-90121-0127	90121-0127	F	7	0.700				
538-90121-0128	90121-0128	F	8	0.800				
538-90121-0129	90121-0129	F	9	0.900				
538-90121-0130	90121-0130	F	10	1.000				
538-90121-0131	90121-0131	F	11	1.100				
538-90121-0132	90121-0132	F	12	1.200				
538-90121-0160	90121-0160	F	40	4.000				
Single Row - Right Angle - Gold								
538-90121-0762	90121-0762	F	2	0.200				
538-90121-0763	90121-0763	F	3	0.300				
538-90121-0764	90121-0764	F	4	0.400				
538-90121-0766	90121-0766	F	6	0.600				
538-90121-0767	90121-0767	F	7	0.700				
538-90121-0768	90121-0768	F	8	0.800				
538-90121-0769	90121-0769	F	9	0.900				
538-90121-0770	90121-0770	F	10	1.000				
538-90121-0772	90121-0772	F	12	1.200				
Dual Row - Vertical - Tin								
538-90131-0122	90131-0122	G	4	0.200				
538-90131-0123	90131-0123	G	6	0.300				
538-90131-0124	90131-0124	G	8	0.400				
538-90131-0125	90131-0125	G	10	0.500				
538-90131-0126	90131-0126	G	12	0.600				
538-90131-0127	90131-0127	G	14	0.700				
538-90131-0128	90131-0128	G	16	0.800				
538-90131-0129	90131-0129	G	18	0.900				
538-90131-0130	901							

MOLEX 2.54mm (.100") C-Grid® III™ Connectors



DIMENSIONS: mm



HEADERS (CONT.)

C-Grid® III™ Series does NOT mate to C-Grid®.

For quantities greater than listed, call for quote.

MOUSER STOCK NO.	Molex Part No.	Fig.	No. of Circuits	Width (W): mm	Price Each			
					1	10	100	500
Dual Row - Vertical - Tin (Cont.)								
538-90131-0135	90131-0135	A	30	1.500				
538-90131-0140	90131-0140	A	40	2.000				
538-90131-0145	90131-0145	A	50	2.500				
538-90131-0150	90131-0150	A	60	3.000				
538-90131-0160	90131-0160	A	80	4.000				
Dual Row - Vertical - Gold								
538-90131-0762	90131-0762	A	4	0.200				
538-90131-0763	90131-0763	A	6	0.300				
538-90131-0764	90131-0764	A	8	0.400				
538-90131-0765	90131-0765	A	10	0.500				
538-90131-0766	90131-0766	A	12	0.600				
538-90131-0767	90131-0767	A	14	0.700				
538-90131-0768	90131-0768	A	16	0.800				
538-90131-0769	90131-0769	A	18	0.900				
538-90131-0770	90131-0770	A	20	1.000				
538-90131-0771	90131-0771	A	22	1.100				
538-90131-0772	90131-0772	A	24	1.200				
538-90131-0773	90131-0773	A	26	1.300				
538-90131-0774	90131-0774	A	28	1.400				
538-90131-0775	90131-0775	A	30	1.500				
538-90131-0780	90131-0780	A	40	2.000				
538-90131-0785	90131-0785	A	50	2.500				
538-90131-0790	90131-0790	A	60	3.000				
538-90131-0796	90131-0796	A	72	3.600				
538-90131-0800	90131-0800	A	80	4.000				
Dual Row - Right Angle - Tin								
538-90122-0122	90122-0122	B	4	0.200				
538-90122-0123	90122-0123	B	6	0.300				
538-90122-0124	90122-0124	B	8	0.400				
538-90122-0125	90122-0125	B	10	0.500				
538-90122-0126	90122-0126	B	12	0.600				
538-90122-0127	90122-0127	B	14	0.700				
538-90122-0128	90122-0128	B	16	0.800				
538-90122-0129	90122-0129	B	18	0.900				
538-90122-0130	90122-0130	B	20	1.000				
538-90122-0132	90122-0132	B	24	1.200				
538-90122-0133	90122-0133	B	26	1.300				
538-90122-0135	90122-0135	B	30	1.500				
538-90122-0137	90122-0137	B	34	1.700				
538-90122-0138	90122-0138	B	36	1.800				
538-90122-0140	90122-0140	B	40	2.000				
538-90122-0142	90122-0142	B	44	2.200				
538-90122-0145	90122-0145	B	50	2.500				
538-90122-0160	90122-0160	B	80	4.000				
Dual Row - Right Angle - Gold								
538-90122-0762	90122-0762	B	4	0.200				
538-90122-0763	90122-0763	B	6	0.300				
538-90122-0764	90122-0764	B	8	0.400				
538-90122-0765	90122-0765	B	10	0.500				
538-90122-0766	90122-0766	B	12	0.600				
538-90122-0767	90122-0767	B	14	0.700				
538-90122-0768	90122-0768	B	16	0.800				
538-90122-0770	90122-0770	B	20	1.000				
538-90122-0772	90122-0772	B	24	1.200				
538-90122-0773	90122-0773	B	26	1.300				
538-90122-0775	90122-0775	B	30	1.500				
538-90122-0780	90122-0780	B	40	2.000				
538-90122-0790	90122-0790	B	60	3.000				
538-90122-0800	90122-0800	B	80	4.000				
Shrouded - Single Row - Vertical - Tin								
538-90136-1102	90136-1102	C	2	0.332				
538-90136-1103	90136-1103	C	3	0.432				
538-90136-1104	90136-1104	C	4	0.532				
538-90136-1105	90136-1105	C	5	0.632				
538-90136-1106	90136-1106	C	6	0.732				
538-90136-1108	90136-1108	C	8	0.932				
538-90136-1109	90136-1109	C	9	1.032				
538-90136-1110	90136-1110	C	10	1.132				
Shrouded - Single Row - Vertical - Gold								
538-90136-1202	90136-1202	C	2	0.332				
538-90136-1203	90136-1203	C	3	0.432				
538-90136-1204	90136-1204	C	4	0.532				
538-90136-1205	90136-1205	C	5	0.632				
538-90136-1206	90136-1206	C	6	0.732				
538-90136-1207	90136-1207	C	7	0.832				
538-90136-1208	90136-1208	C	8	0.932				
538-90136-1209	90136-1209	C	9	1.032				

HEADERS (CONT.)

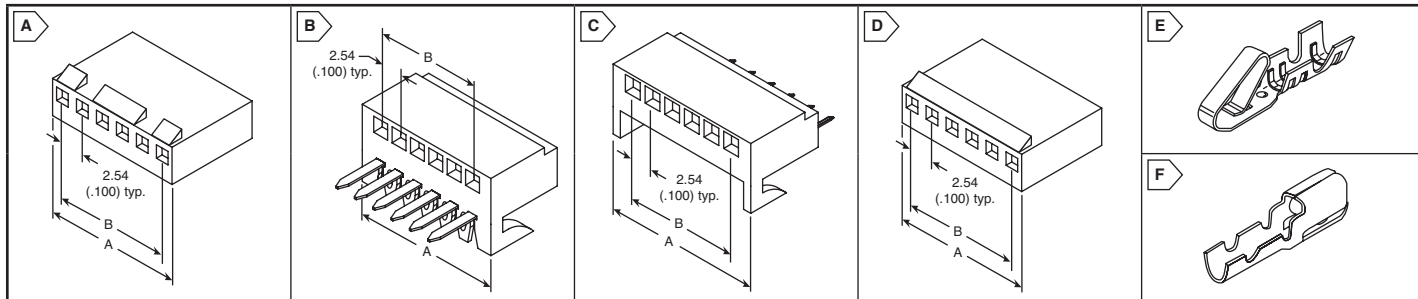
C-Grid® III™ Series does NOT mate to C-Grid®.

For quantities greater than listed, call for quote.

MOUSER STOCK NO.	Molex Part No.	Fig.	No. of Circuits	Width (W): mm	Price Each			
					1	10	100	500
Shrouded - Single Row - Vertical - Gold (Cont.)								
538-90136-1210	90136-1210	C	10	1.132				
538-90136-1212	90136-1212	C	12	1.332				
Shrouded - Single Row - Right Angle - Tin								
538-90136-2102	90136-2102	D	2	0.332				
538-90136-2103	90136-2103	D	3	0.432				
538-90136-2104	90136-2104	D	4	0.532				
538-90136-2105	90136-2105	D	5	0.632				
538-90136-2106	90136-2106	D	6	0.732				
538-90136-2107	90136-2107	D	7	0.832				
538-90136-2108	90136-2108	D	8	0.932				
538-90136-2109	90136-2109	D	9	1.032				
538-90136-2110	90136-2110	D	10	1.132				
538-90136-2112	90136-2112	D	12	1.332				
Shrouded - Single Row - Right Angle - Gold								
538-90136-2202	90136-2202	D	2	0.332				
538-90136-2203	90136-2203	D	3	0.432				
538-90136-2204	90136-2204	D	4	0.532				
538-90136-2205	90136-2205	D	5	0.632				
538-90136-2206	90136-2206	D	6	0.732				
538-90136-2207	90136-2207	D	7	0.832				
538-90136-2208	90136-2208	D	8	0.932				
538-90136-2209	90136-2209	D	9	1.032				
538-90136-2210	90136-2210	D	10	1.132				
Shrouded - Dual Row - Vertical - Tin - Fully Loaded								
538-90130-1106	90130-1106	E	6	0.392				
538-90130-1108	90130-1108	E	8	0.492				
538-90130-1110	90130-1110	E	10	0.592				
538-90130-1112	90130-1112	E	12	0.692				
538-90130-1114	90130-1114	E	14	0.792				
538-90130-1116	90130-1116	E	16	0.892				
538-90130-1118	90130-1118	E	18	0.992				
538-90130-1120	90130-1120	E	20	1.092				
538-90130-1124	90130-1124	E	24	1.292				
538-90130-1126	90130-1126	E	26	1.392				
538-90130-1130	90130-1130	E	30	1.592				
538-90130-1134	90130-1134	E	34	1.792				
538-90130-1140	90130-1140	E	40	2.092				
538-90130-1150	90130-1150	E	50	2.592				
Shrouded - Dual Row - Vertical - Gold - Fully Loaded								
538-90130-1206	90130-1206	E	6	0.392				
538-90130-1208	90130-1208	E	8	0.492				
538-90130-1210	90130-1210	E	10	0.592				
538-90130-1212	90130-1212	E	12	0.692				
538-90130-1214	90130-1214	E	14	0.792				
538-90130-1216	90130-1216	E	16	0.892				
538-90130-1218	90130-1218	E	18	0.992				
538-90130-1220	90130-1220	E	20	1.092				
538-90130-1224	90130-1224	E	24	1.292				
538-90130-1226	90130-1226	E	26	1.392				
538-90130-1230	90130-1230	E	30	1.592				
538-90130-1234	90130-1234	E	34	1.792				
538-90130-1240	90130-1240	E	40	2.092				
538-90130-1250	90130-1250	E	50	2.592				
Shrouded - Dual Row - Right Angle - Tin - Fully Loaded								
538-90130-3106	90130-3106	F	6	0.407				
538-90130-3108	90130-3108	F	8	0.507				
538-90130-3110	90130-3110	F	10	0.607				
538-90130-3112	90130-3112	F	12	0.707				
538-90130-3114	90130-3114	F	14	0.807				
538-90130-3116	90130-3116	F						

MOLEX KK® Series (.100")

Products may be RoHS compliant. Check mouser.com for RoHS status.



.100" CRIMP TERMINAL HOUSINGS

- Housing: Nylon, UL94V-0
- Current: Phosphor Bronze-4.0A max; Brass-2.5A max.
- Voltage: 250V
- RoHS Compliant per Molex documentation

For quantities greater than listed, call for quote.

MOUSER STOCK NO.	Molex Part No.	Fig.	No. of Circuits	Dimensions: mm		Price Each			
				A	B	1	10	100	500
With Locking Ramp									
538-22-01-2027	22-01-2027	A	2	5.6	2.54				
538-22-01-2037	22-01-2037	A	3	8.1	5.08				
538-22-01-2047	22-01-2047	A	4	10.7	7.62				
538-22-01-2057	22-01-2057	A	5	13.2	10.16				
538-22-01-2067	22-01-2067	A	6	15.8	12.70				
538-22-01-2077	22-01-2077	A	7	18.3	15.24				
538-22-01-2087	22-01-2087	A	8	20.9	17.78				
538-22-01-2097	22-01-2097	A	9	23.4	20.32				
538-22-01-2107	22-01-2107	A	10	25.9	22.86				
538-22-01-2117	22-01-2117	A	11	28.5	25.40				
538-22-01-2127	22-01-2127	A	12	31.0	27.94				
With Locking Ramp and Polarizing Ribs									
538-22-01-3027	22-01-3027	A	2	5.6	2.54				
538-22-01-3037	22-01-3037	A	3	8.1	5.08				
538-22-01-3047	22-01-3047	A	4	10.7	7.62				
538-22-01-3057	22-01-3057	A	5	13.2	10.16				
538-22-01-3067	22-01-3067	A	6	15.8	12.70				
538-22-01-3077	22-01-3077	A	7	18.3	15.24				
538-22-01-3087	22-01-3087	A	8	20.9	17.78				
538-22-01-3097	22-01-3097	A	9	23.4	20.32				
538-22-01-3107	22-01-3107	A	10	25.9	22.86				
538-22-01-3117	22-01-3117	A	11	28.5	25.40				
538-22-01-3127	22-01-3127	A	12	31.0	27.94				

.100" PCB RECEPTACLES

- UL94V-0
- End-to-End stackable
- Contact: Brass
- Voltage: 250V
- Temperature: 0°C to +75°C
- Current: 2.5A max.

For quantities greater than listed, call for quote.

Tin Plating - Bottom Entry									
MOUSER STOCK NO.	Molex Part No.	Fig.	No. of Circuits	A	B	1	10	100	500
538-22-14-2024	22-14-2024	B	2	4.98	2.54				
538-22-14-2034	22-14-2034	B	3	7.52	5.08				
538-22-14-2044	22-14-2044	B	4	10.06	7.62				
538-22-14-2054	22-14-2054	B	5	12.60	10.16				
538-22-14-2064	22-14-2064	B	6	15.14	12.70				
538-22-14-2074	22-14-2074	B	7	17.68	15.24				
538-22-14-2084	22-14-2084	B	8	20.22	17.78				
538-22-14-2094	22-14-2094	B	9	22.76	20.32				
538-22-14-2104	22-14-2104	B	10	25.30	22.86				
538-22-14-2124	22-14-2124	B	12	30.38	27.94				
Tin Plating - Top Entry									
538-22-02-2025	22-02-2025	C	2	4.98	2.54				
538-22-02-2035	22-02-2035	C	3	7.52	5.08				
538-22-02-2045	22-02-2045	C	4	10.06	7.62				
538-22-02-2055	22-02-2055	C	5	12.60	10.16				
538-22-02-2065	22-02-2065	C	6	15.14	12.70				
538-22-02-2075	22-02-2075	C	7	17.68	15.24				
538-22-02-2085	22-02-2085	C	8	20.22	17.78				
538-22-02-2095	22-02-2095	C	9	22.76	20.32				
538-22-02-2105	22-02-2105	C	10	25.30	22.86				
538-22-02-2125	22-02-2125	C	12	30.38	27.94				
Gold Plating - Bottom Entry									
538-22-17-3022	22-17-3022	B	2	4.98	2.54				
538-22-17-3032	22-17-3032	B	3	7.52	5.08				
538-22-17-3042	22-17-3042	B	4	10.06	7.62				
538-22-17-3052	22-17-3052	B	5	12.60	10.16				
538-22-17-3072	22-17-3072	B	7	17.68	15.24				
538-22-17-3082	22-17-3082	B	8	20.22	17.78				
538-22-17-3092	22-17-3092	B	9	22.76	20.32				
Gold Plating - Top Entry									
538-22-18-2021	22-18-2021	C	2	4.98	2.54				
538-22-18-2031	22-18-2031	C	3	7.52	5.08				
538-22-18-2041	22-18-2041	C	4	10.06	7.62				
538-22-18-2061	22-18-2061	C	6	15.14	12.70				
538-22-18-2081	22-18-2081	C	8	20.22	17.78				
538-22-18-2091	22-18-2091	C	9	22.76	20.32				
538-22-18-2101	22-18-2101	C	10	25.30	22.86				
538-22-18-2111	22-18-2111	C	11	27.84	25.40				
538-22-18-2121	22-18-2121	C	12	30.38	27.94				

.100" HIGH PRESSURE/VIBRATION TERMINAL HOUSINGS WITH LOCKING RAMP

- Housing: Red Nylon, UL 94-0
- Current: 2.5A
- Voltage: 250V
- RoHS Compliant per Molex documentation

For quantities greater than listed, call for quote.

MOUSER STOCK NO.	Molex Part No.	Fig.	No. of Circuits	Dimensions: mm		Price Each			
				A	B	1	10	100	500
538-10-11-2023	10-11-2023	D	2	5.64	2.54				
538-10-11-2033	10-11-2033	D	3	8.18	5.08				
538-10-11-2043	10-11-2043	D	4	10.72	7.62				
538-10-11-2053	10-11-2053	D	5	13.26	10.16				
538-10-11-2063	10-11-2063	D	6	15.80	12.70				
538-10-11-2073	10-11-2073	D	7	18.34	15.24				
538-10-11-2083	10-11-2083	D	8	20.88	17.78				
538-10-11-2093	10-11-2093	D	9	23.42	20.32				
538-10-11-2103	10-11-2103	D	10	25.96	22.86				
538-10-11-2113	10-11-2113	D	11	28.50	25.40				
538-10-11-2123	10-11-2123	D	12	31.04	27.94				

.100" CRIMP TERMINALS

- Wire gauge: 22-30AWG
- For use with Fig. A
- RoHS Compliant per Molex documentation

Select Gold (Au) is gold
* only on the mating area

For quantities greater than listed, call for quote.

MOUSER STOCK NO.	Molex Part No.	Fig.	Contact	Plating	Price Each		
					1	100	500
538-08-50-0114	08-50-0114	E	Brass	Tin			
538-08-56-0110	08-56-0110	E	Brass	Gold			
538-08-55-0102	08-55-0102	E	Brass	*Select Gold			
538-08-52-0123	08-52-0123	E	Phos. Bronze	Tin			
538-08-65-0814	08-65-0814	E	Phos. Bronze	Gold			
538-08-65-0816	08-65-0816	E	Phos. Bronze	*Select Gold			

.100" HIGH PRESSURE CRIMP TERMINALS

- Wire gauge: 22-30AWG
- RoHS Compliant per Molex documentation

- High vibration applications.
- For use with Fig. D

* Select Gold (Au) is gold
only on the mating area

For quantities greater than listed, call for quote.

MOUSER STOCK NO.	Molex Part No.	Fig.	Contact	Plating	Price Each		
					1	100	500
538-08-55-0129	08-55-0129	F	Brass	*Select Gold			

POLARIZING KEYS

- UL94V-2, Nylon
- Snap fit into housings
- RoHS Compliant per Molex documentation

For quantities greater than listed, call for quote.

MOUSER STOCK NO.	Molex Part No.	Description	Price Each		
			1	100	500
538-15-04-9209	15-04-9209	Key			

DESIGNER/SERVICE KIT

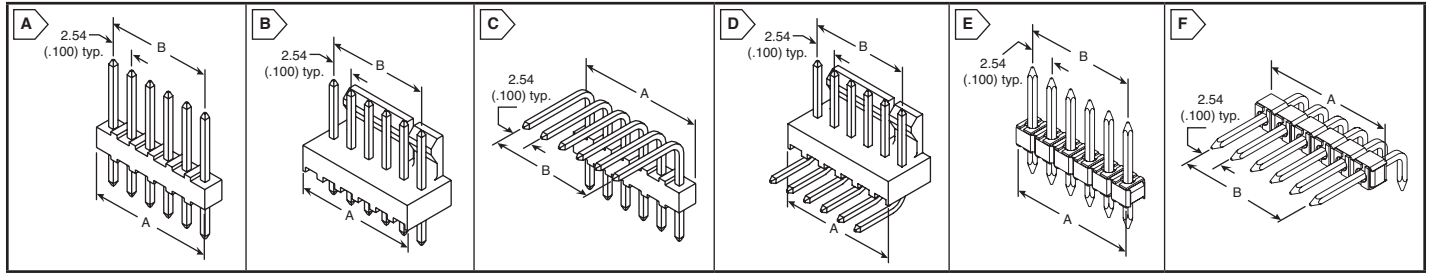
- Includes: connectors, crimp tool, extraction tool, and storage case

MOUSER STOCK NO.	Molex Part No.	Description	Price Each
538-KK-100	KK-100	.100", 82 connectors	

TOOLS

MOUSER STOCK NO.	Molex Part No.	Description	Price Each
538-11-03-0022	11-03-0022	Extraction tool	
538-63812-0000	63812-0000	Insertion tool	
538-63819-0800	63819-0800	Hand Crimp Tool, 24-30AWG	
538-63811-8200	63811-8200	Hand Crimp Tool, 22-30AWG	

MOLEX KK® Series Headers (.100")



.100" PCB HEADERS

• Contact: Brass, 0.64mm (.025") square pins • UL94V-0, White Nylon • Voltage: 250V • Current: 4.0A • RoHS compliant per Molex documentation



RoHS Compliant

For quantities greater than listed, call for quote.

MOUSER STOCK NO.	Molex Part No.	Fig.	No. of Circuits	Dimensions: mm		Price Each			
				A	B	1	10	100	500
Vertical, Tin Plating									
538-22-03-2021	22-03-2021	A	2	4.83	2.54				
538-22-03-2031	22-03-2031	A	3	7.37	5.08				
538-22-03-2041	22-03-2041	A	4	9.91	7.62				
538-22-03-2051	22-03-2051	A	5	12.45	10.16				
538-22-03-2061	22-03-2061	A	6	14.99	12.7				
538-22-03-2071	22-03-2071	A	7	17.53	15.24				
538-22-03-2081	22-03-2081	A	8	20.07	17.78				
538-22-03-2091	22-03-2091	A	9	22.61	20.32				
538-22-03-2101	22-03-2101	A	10	25.15	22.86				
538-22-03-2111	22-03-2111	A	11	27.69	25.4				
538-22-03-2121	22-03-2121	A	12	30.23	27.94				
Vertical, Gold Plating									
538-22-10-2021	22-10-2021	A	2	4.83	2.54				
538-22-10-2031	22-10-2031	A	3	7.37	5.08				
538-22-10-2041	22-10-2041	A	4	9.91	7.62				
538-22-10-2051	22-10-2051	A	5	12.45	10.16				
538-22-10-2061	22-10-2061	A	6	14.99	12.7				
538-22-10-2071	22-10-2071	A	7	17.53	15.24				
538-22-10-2081	22-10-2081	A	8	20.07	17.78				
538-22-10-2091	22-10-2091	A	9	22.61	20.32				
538-22-10-2101	22-10-2101	A	10	25.15	22.86				
538-22-10-2111	22-10-2111	A	11	27.69	25.4				
538-22-10-2121	22-10-2121	A	12	30.23	27.94				
Vertical Friction Lock, Tin Plating									
538-22-23-2021	22-23-2021	B	2	5.08	2.54				
538-22-23-2031	22-23-2031	B	3	7.62	5.08				
538-22-23-2041	22-23-2041	B	4	10.16	7.62				
538-22-23-2051	22-23-2051	B	5	12.7	10.16				
538-22-23-2061	22-23-2061	B	6	15.24	12.7				
538-22-23-2071	22-23-2071	B	7	17.78	15.24				
538-22-23-2081	22-23-2081	B	8	20.32	17.78				
538-22-23-2091	22-23-2091	B	9	22.86	20.32				
538-22-23-2101	22-23-2101	B	10	25.4	22.86				
538-22-23-2111	22-23-2111	B	11	27.94	25.4				
538-22-23-2121	22-23-2121	B	12	30.48	27.94				
Vertical Friction Lock, Gold Plating									
538-22-11-2022	22-11-2022	B	2	5.08	2.54				
538-22-11-2032	22-11-2032	B	3	7.62	5.08				
538-22-11-2042	22-11-2042	B	4	10.16	7.62				
538-22-11-2052	22-11-2052	B	5	12.7	10.16				
538-22-11-2062	22-11-2062	B	6	15.24	12.7				
538-22-11-2072	22-11-2072	B	7	17.78	15.24				
538-22-11-2082	22-11-2082	B	8	20.32	17.78				
538-22-11-2092	22-11-2092	B	9	22.86	20.32				
538-22-11-2102	22-11-2102	B	10	25.4	22.86				
538-22-11-2112	22-11-2112	B	11	27.94	25.4				
538-22-11-2122	22-11-2122	B	12	30.48	27.94				

For quantities greater than listed, call for quote.

MOUSER STOCK NO.	Molex Part No.	Fig.	No. of Circuits	Dimensions: mm		Price Each			
				A	B	1	10	100	500
Right Angle, Tin Plating									
538-22-05-2021	22-05-2021	C	2	4.83	2.54				
538-22-05-2031	22-05-2031	C	3	7.37	5.08				
538-22-05-2041	22-05-2041	C	4	9.91	7.62				
538-22-05-2051	22-05-2051	C	5	12.45	10.16				
538-22-05-2061	22-05-2061	C	6	14.99	12.7				
538-22-05-2071	22-05-2071	C	7	17.53	15.24				
538-22-05-2081	22-05-2081	C	8	20.07	17.78				
538-22-05-2091	22-05-2091	C	9	22.61	20.32				
538-22-05-2101	22-05-2101	C	10	25.15	22.86				
538-22-05-2111	22-05-2111	C	11	27.69	25.4				
538-22-05-2121	22-05-2121	C	12	30.23	27.94				
Right Angle, Gold Plating									
538-22-12-2021	22-12-2021	C	2	4.83	2.54				
538-22-12-2031	22-12-2031	C	3	7.37	5.08				
538-22-12-2041	22-12-2041	C	4	9.91	7.62				
538-22-12-2051	22-12-2051	C	5	12.45	10.16				
538-22-12-2061	22-12-2061	C	6	14.99	12.7				
538-22-12-2071	22-12-2071	C	7	17.53	15.24				
538-22-12-2081	22-12-2081	C	8	20.07	17.78				
538-22-12-2101	22-12-2101	C	10	25.15	22.86				
538-22-12-2121	22-12-2121	C	12	30.23	27.94				
Right Angle Friction Lock, Tin Plating									
538-22-05-3021	22-05-3021	D	2	5.08	2.54				
538-22-05-3031	22-05-3031	D	3	7.62	5.08				
538-22-05-3041	22-05-3041	D	4	10.16	7.62				
538-22-05-3051	22-05-3051	D	5	12.7	10.16				
538-22-05-3061	22-05-3061	D	6	15.24	12.7				
538-22-05-3071	22-05-3071	D	7	17.78	15.24				
538-22-05-3081	22-05-3081	D	8	20.32	17.78				
538-22-05-3091	22-05-3091	D	9	22.86	20.32				
538-22-05-3101	22-05-3101	D	10	25.4	22.86				
538-22-05-3111	22-05-3111	D	11	27.94	25.4				
538-22-05-3121	22-05-3121	D	12	30.48	27.94				
Right Angle Friction Lock, Gold Plating									
538-22-12-2024	22-12-2024	D	2	5.08	2.54				
538-22-12-2034	22-12-2034	D	3	7.62	5.08				
538-22-12-2044	22-12-2044	D	4	10.16	7.62				
538-22-12-2054	22-12-2054	D	5	12.7	10.16				
538-22-12-2064	22-12-2064	D	6	15.24	12.7				
538-22-12-2074	22-12-2074	D	7	17.78	15.24				
538-22-12-2084	22-12-2084	D	8	20.32	17.78				
538-22-12-2094	22-12-2094	D	9	22.86	20.32				
538-22-12-2104	22-12-2104	D	10	25.4	22.86				
538-22-12-2114	22-12-2114	D	11	27.94	25.4				
538-22-12-2124	22-12-2124	D	12	30.48	27.94				

.100" BREAKAWAY HEADERS - PCB

• Voltage: 250V • Current: 4.0A • RoHS compliant per Molex documentation



RoHS Compliant

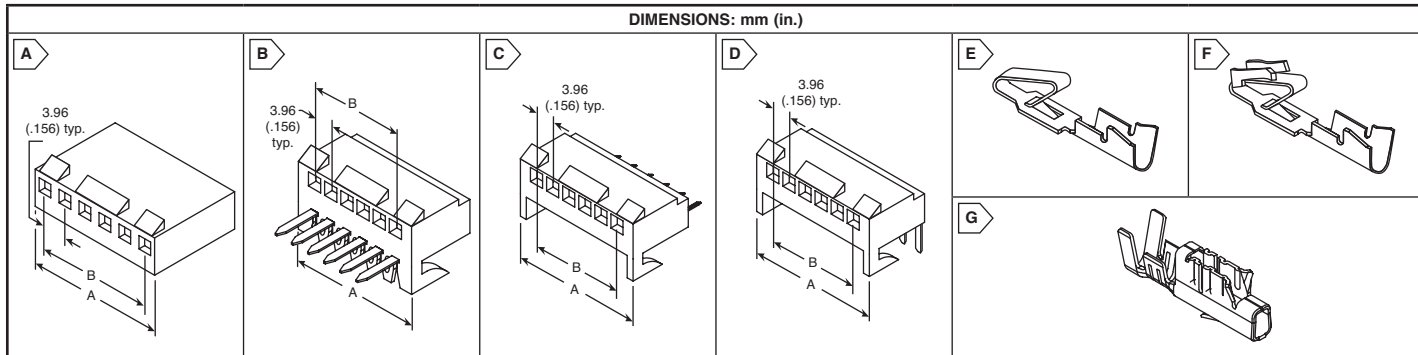
For quantities greater than listed, call for quote.

For quantities greater than listed, call for quote.

MOUSER STOCK NO.	Molex Part No.	Fig.	No. of Circuits	Dimensions: mm		Price Each			
				A	B	1	10	100	500
Vertical, Tin Plating									
538-22-28-4020	22-28-4020	E	2	5.08	2.54				
538-22-28-4030	22-28-4030	E	3	7.62	5.08				
538-22-28-4040	22-28-4040	E	4	10.16	7.62				
538-22-28-4050	22-28-4050	E	5	12.7	10.16				
538-22-28-4060	22-28-4060	E	6	15.24	12.7				
538-22-28-4070	22-28-4070	E	7	17.78	15.24				
538-22-28-4080	22-28-4080	E	8	20.32	17.78				
538-22-28-4090	22-28-4090	E	9	22.86	20.32				
538-22-28-4100	22-28-4100	E	10	25.4	22.86				
538-22-28-4360	22-28-4360	E	36	91.44	88.9				
Vertical, Gold Plating									
538-22-28-4023	22-28-4023	E	2	5.08	2.54				
538-22-28-4033	22-28-4033	E	3	7.62	5.08				
538-22-28-4043	22-28-4043	E	4	10.16	7.62				
538-22-28-4053	22-28-4053	E	5	12.7	10.16				
538-22-28-4063	22-28-4063	E	6	15.24	12.7				

MOUSER STOCK NO.	Molex Part No.	Fig.	No. of Circuits	Dimensions: mm		Price Each			
				A	B	1	10	100	500
Vertical, Gold Plating (Cont.)									
538-22-28-4073	22-28-4073	E	7	17.78	15.24				
538-22-28-4083	22-28-4083	E	8	20.32	17.78				
538-22-28-4093	22-28-4093	E	9	22.86	20.32				
538-22-28-4103	22-28-4103	E	10	25.4	22.86				
538-22-28-4363	22-28-4363	E	36	91.44	88.9				
Right Angle, Tin Plating									
538-22-28-8020	22-28-8020	F	2	5.08	2.54				
538-22-28-8030	22-28-803								

DIMENSIONS: mm (in.)



.156" CRIMP TERMINAL HOUSINGS

- Voltage: 250V AC max.
- Temperature: 0°C to +75°C
- Current: Phosphor Bronze-7.0A max.; Brass-5.0A max.
- RoHS compliant per Molex documentation

For quantities greater than listed, call for quote.

MOUSER STOCK NO.	Molex Part No.	Fig.	No. of Circuits	Dimensions: mm		Price Each			
				A	B	1	10	100	500
With Locking Ramp UL94V-2, Nylon									
538-09-50-3021	09-50-3021	A	2	7.92	3.96				
538-09-50-3031	09-50-3031	A	3	11.79	7.92				
538-09-50-3041	09-50-3041	A	4	15.75	11.89				
538-09-50-3051	09-50-3051	A	5	19.71	15.85				
538-09-50-3061	09-50-3061	A	6	23.67	19.81				
538-09-50-3071	09-50-3071	A	7	27.64	23.77				
538-09-50-3081	09-50-3081	A	8	31.60	27.74				
538-09-50-3091	09-50-3091	A	9	35.56	31.70				
538-09-50-3101	09-50-3101	A	10	39.52	35.66				
538-09-50-3111	09-50-3111	A	11	43.48	39.62				
538-09-50-3121	09-50-3121	A	12	47.45	43.59				
Without Locking Ramp UL94V-2, Nylon									
538-09-50-7021	09-50-7021	A	2	7.92	3.96				
538-09-50-7031	09-50-7031	A	3	11.79	7.92				
538-09-50-7041	09-50-7041	A	4	15.75	11.89				
538-09-50-7051	09-50-7051	A	5	19.71	15.85				
538-09-50-7061	09-50-7061	A	6	23.67	19.81				
538-09-50-7071	09-50-7071	A	7	27.64	23.77				
538-09-50-7081	09-50-7081	A	8	31.60	27.74				
538-09-50-7091	09-50-7091	A	9	35.56	31.70				
538-09-50-7111	09-50-7111	A	11	43.48	39.62				



RoHS Compliant
For quantities greater than listed, call for quote.

MOUSER STOCK NO.	Molex Part No.	Fig.	No. of Circuits	Dimensions: mm		Price Each			
				A	B	1	10	100	500
With Locking Ramp and Polarizing Ribs UL94V-0, Polyester									
538-09-50-8023	09-50-8023	A	2	8.79	3.96				
538-09-50-8033	09-50-8033	A	3	12.75	7.92				
538-09-50-8043	09-50-8043	A	4	16.71	11.89				
538-09-50-8053	09-50-8053	A	5	20.67	15.85				
538-09-50-8063	09-50-8063	A	6	24.64	19.81				
538-09-50-8073	09-50-8073	A	7	28.60	23.77				
538-09-50-8083	09-50-8083	A	8	32.56	27.74				
538-09-50-8093	09-50-8093	A	9	36.53	31.70				
538-09-50-8103	09-50-8103	A	10	40.49	35.66				
538-09-50-8113	09-50-8113	A	11	44.45	39.62				
538-09-50-8123	09-50-8123	A	12	48.41	43.59				
With Locking Ramp UL94V-0, Polyester									
538-09-50-8021	09-50-8021	A	2	8.79	3.96				
538-09-50-8031	09-50-8031	A	3	12.75	7.92				
538-09-50-8041	09-50-8041	A	4	16.71	11.89				
538-09-50-8051	09-50-8051	A	5	20.67	15.85				
538-09-50-8061	09-50-8061	A	6	24.64	19.81				
538-09-50-8071	09-50-8071	A	7	28.60	23.77				
538-09-50-8081	09-50-8081	A	8	32.56	27.74				
538-09-50-8091	09-50-8091	A	9	36.53	31.70				
538-09-50-8101	09-50-8101	A	10	40.49	35.66				
538-09-50-8111	09-50-8111	A	11	44.45	39.62				
538-09-50-8121	09-50-8121	A	12	48.41	43.59				

Rectangular Connectors Molex

.156" PCB RECEPTACLES

- Tin Plated

For quantities greater than listed, call for quote.

MOUSER STOCK NO.	Molex Part No.	Fig.	No. of Circuits	Dimensions: mm		Price Each			
				A	B	1	10	100	500
Bottom Entry									
538-09-52-3032	09-52-3032	B	3	11.79	7.92				
538-09-52-3042	09-52-3042	B	4	15.75	11.89				
538-09-52-3052	09-52-3052	B	5	19.71	15.85				
538-09-52-3062	09-52-3062	B	6	23.67	19.81				
538-09-52-3072	09-52-3072	B	7	27.64	23.77				
538-09-52-3082	09-52-3082	B	8	31.60	27.74				
538-09-52-3102	09-52-3102	B	10	39.52	35.66				
Top Entry									
538-09-52-3033	09-52-3033	C	3	11.79	7.92				
538-09-52-3043	09-52-3043	C	4	15.75	11.89				
538-09-52-3053	09-52-3053	C	5	19.71	15.85				
538-09-52-3063	09-52-3063	C	6	23.67	19.81				
538-09-52-3073	09-52-3073	C	7	27.64	23.77				
538-09-52-3083	09-52-3083	C	8	31.60	27.74				
538-09-52-3093	09-52-3093	C	9	35.56	31.70				

For quantities greater than listed, call for quote.

MOUSER STOCK NO.	Molex Part No.	Fig.	No. of Circuits	Dimensions: mm		Price Each			
				A	B	1	10	100	500
Top Entry (Cont.)									
538-09-52-3103	09-52-3103	C	10	39.52	35.66				
538-09-52-3113	09-52-3113	C	11	43.48	39.62				
538-09-52-3123	09-52-3123	C	12	47.75	43.59				
Side Entry									
538-09-52-3021	09-52-3021	D	2	7.82	3.96				
538-09-52-3031	09-52-3031	D	3	11.79	7.92				
538-09-52-3041	09-52-3041	D	4	15.75	11.89				
538-09-52-3051	09-52-3051	D	5	19.71	15.85				
538-09-52-3061	09-52-3061	D	6	23.67	19.81				
538-09-52-3071	09-52-3071	D	7	27.64	23.77				
538-09-52-3081	09-52-3081	D	8	31.60	27.74				
538-09-52-3091	09-52-3091	D	9	35.56	31.70				
538-09-52-3101	09-52-3101	D	10	39.52	35.66				
538-09-52-3111	09-52-3111	D	11	43.48	39.62				
538-09-52-3121	09-52-3121	D	12	47.75	43.59				

.156" CRIMP TERMINALS

- Temperature: Phosphor Bronze: 0°C to +75°C; Brass: 0°C to +50°C
- Current: 5.0A max. using 18AWG wire

*Use with 09-50-8xxx only

MOUSER STOCK NO.	Molex Part No.	Fig.	Wire Range	Material	Plating	Price Each		
						1	100	500
538-08-50-0106	08-50-0106	E	18-20	Brass	Tin			
538-08-52-0072	08-52-0072	E	18-20	Ph Bz	Tin			
538-08-50-0108	08-50-0108	E	22-26	Brass	Tin			
538-08-50-0134	08-50-0134	E	22-26	Ph Bz	Tin			
538-08-56-0106	08-56-0106	E	18-20	Brass	Gold			
538-08-58-0122	08-58-0122	E	18-20	Ph Bz	Gold			
538-08-56-0108	08-56-0108	E	22-26	Brass	Gold			
538-08-58-0126	08-58-0126	E	22-26	Ph Bz	Gold			
538-08-52-0113	08-52-0113	F	18-20	Ph Bz	Tin			
538-08-50-0189	08-50-0189	F	18-20	Brass	Tin			
538-08-52-0125	08-52-0125	F	22-26	Ph Bz	Tin			
538-08-50-0185	08-50-0185	F	22-26	Brass	Tin			
538-08-56-0124	08-56-0124	F	22-26	Ph Bz	Gold			
* 538-45570-3050	45570-3050	G	18-20	Copp-Alloy	Tin			

POLARIZING KEYS AND PEGS

- Snap fit into housings
- RoHS compliant per Molex documentation

RoHS Compliant

MOUSER STOCK NO.	Molex Part No.	Description	Price Each		
			1	100	500
538-15-04-0219	15-04-0219	Key			
538-15-04-0220	15-04-0220	Peg			

DESIGNER/SERVICE KITS

- Includes: connectors, crimp tool, extraction tool, and storage case

MOUSER STOCK NO.	Molex Part No.	Description	Price Each
538-KK-156	KK-156	.156", 96 connectors	

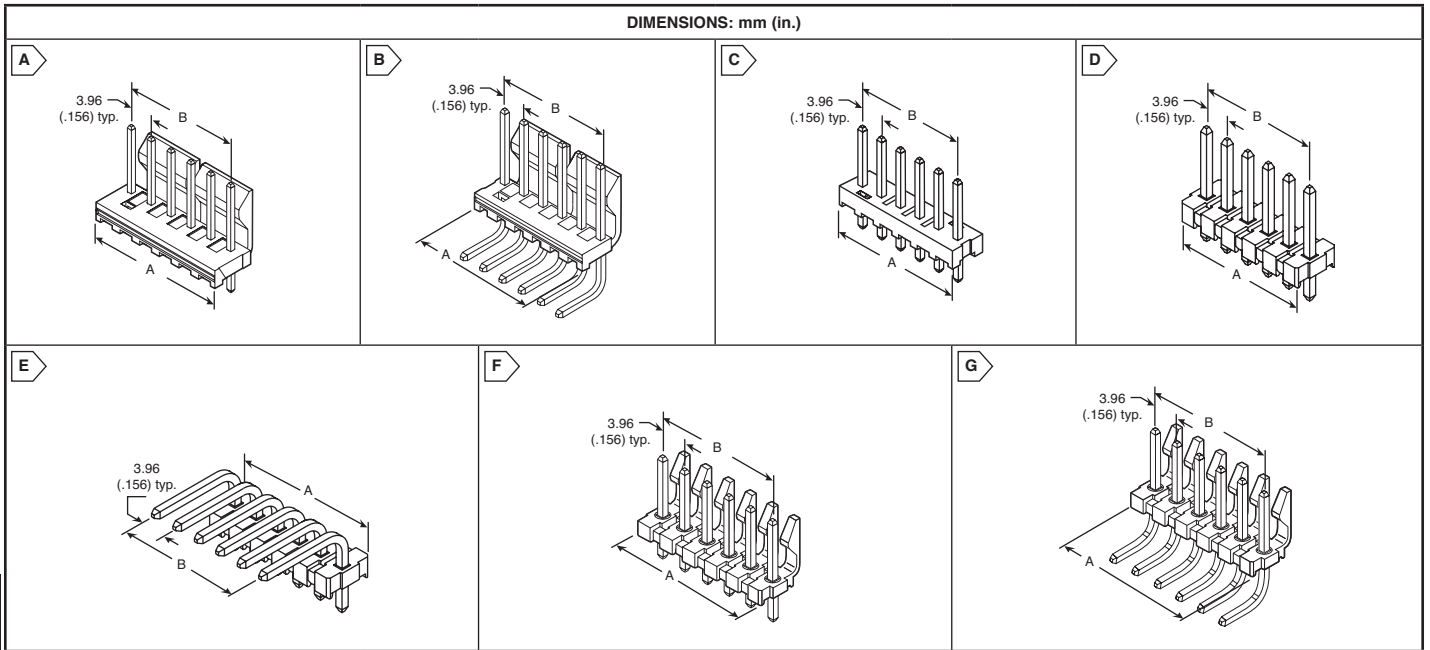
TOOLS

For quantities greater than listed, call for quote.

MOUSER STOCK NO.	Molex Part No.	Description	Price Each
538-11-03-0016	11-03-0016	Extraction tool	
538-63811-7500	63811-7500	Hand crimp tool, 18-24 AWG	
538-63811-7400	63811-7400	Hand crimp tool, 22-26 AWG	

MOLEX KK® Series Headers (.156")

DIMENSIONS: mm (in.)



Molex Rectangular Connectors

.156" PCB HEADERS

• Current: 7.0A • Voltage: 250V

For quantities greater than listed, call for quote.

MOUSER STOCK NO.	Molex Part No.	Fig.	No. of Circuits	Dim. mm		Price Each			
				A	B	1	10	100	500
Vertical Friction Lock, Tin Plating UL94V-0, Polyester									
538-26-60-4020	26-60-4020	A	2	7.77	3.96				
538-26-60-4030	26-60-4030	A	3	11.73	7.92				
538-26-60-4040	26-60-4040	A	4	15.70	11.89				
538-26-60-4050	26-60-4050	A	5	19.66	15.85				
538-26-60-4060	26-60-4060	A	6	23.62	19.81				
538-26-60-4070	26-60-4070	A	7	27.58	23.77				
538-26-60-4080	26-60-4080	A	8	31.55	27.74				
538-26-60-4090	26-60-4090	A	9	35.51	31.70				
538-26-60-4100	26-60-4100	A	10	39.47	35.66				
538-26-60-4110	26-60-4110	A	11	43.43	39.62				
538-26-60-4120	26-60-4120	A	12	47.40	43.59				
Vertical Friction Lock, Gold Plating UL94V-0, Polyester									
538-26-61-4020	26-61-4020	A	2	7.77	3.96				
538-26-61-4030	26-61-4030	A	3	11.73	7.92				
538-26-61-4040	26-61-4040	A	4	15.70	11.89				
538-26-61-4050	26-61-4050	A	5	19.66	15.85				
538-26-61-4060	26-61-4060	A	6	23.62	19.81				
538-26-61-4070	26-61-4070	A	7	27.58	23.77				
538-26-61-4080	26-61-4080	A	8	31.55	27.74				
538-26-61-4090	26-61-4090	A	9	35.51	31.70				
538-26-61-4100	26-61-4100	A	10	39.47	35.66				
538-26-61-4120	26-61-4120	A	12	47.40	43.59				
Right Angle Friction Lock, Tin Plating									
538-26-60-5020	26-60-5020	B	2	7.77	3.96				
538-26-60-5030	26-60-5030	B	3	11.73	7.92				
538-26-60-5040	26-60-5040	B	4	15.70	11.89				
538-26-60-5050	26-60-5050	B	5	19.66	15.85				
538-26-60-5060	26-60-5060	B	6	23.62	19.81				
538-26-60-5070	26-60-5070	B	7	27.58	23.77				
538-26-60-5080	26-60-5080	B	8	31.55	27.74				
538-26-60-5090	26-60-5090	B	9	35.51	31.70				
538-26-60-5100	26-60-5100	B	10	39.47	35.66				
538-26-60-5110	26-60-5110	B	11	43.43	39.62				
538-26-60-5120	26-60-5120	B	12	47.40	43.59				
Vertical, Without Pegs, Tin Plating									
538-26-60-2020	26-60-2020	C	2	7.77	3.96				
538-26-60-2030	26-60-2030	C	3	11.73	7.92				
538-26-60-2040	26-60-2040	C	4	15.70	11.89				
538-26-60-2050	26-60-2050	C	5	19.66	15.85				
538-26-60-2100	26-60-2100	C	10	39.47	35.66				
538-26-60-2120	26-60-2120	C	12	47.40	43.59				

.156" BREAKAWAY HEADERS - PCB

• Contact: Brass • Square pins • Voltage: 250VAC • RoHS compliant per Molex documentation
• Current: 7.0A max. (dependent on connection and PC Board)

For quantities greater than listed, call for quote.



RoHS Compliant

MOUSER STOCK NO.	Molex Part No.	Fig.	No. of Circuits	Dimensions: mm		Price Each			
				A	B	1	10	100	500
Vertical, Tin Plating UL94V-0, Polyester									
538-26-48-1021	26-48-1021	D	2	6.78	3.96				
538-26-48-1031	26-48-1031	D	3	10.74	7.92				
538-26-48-1041	26-48-1041	D	4	14.71	11.89				
538-26-48-1051	26-48-1051	D	5	18.67	15.85				
538-26-48-1061	26-48-1061	D	6	22.63	19.81				
538-26-48-1071	26-48-1071	D	7	26.59	23.77				
538-26-48-1081	26-48-1081	D	8	30.56	27.74				
538-26-48-1091	26-48-1091	D	9	34.52	31.70				
538-26-48-1101	26-48-1101	D	10	38.48	35.66				
538-26-48-1111	26-48-1111	D	11	42.44	39.62				
538-26-48-1121	26-48-1121	D	12	46.41	43.59				
538-26-48-1241	26-48-1241	D	24	93.85	91.14				
Right Angle, Tin Plating									
538-26-48-1022	26-48-1022	E	2	6.78	3.96				
538-26-48-1032	26-48-1032	E	3	10.74	7.92				
538-26-48-1042	26-48-1042	E	4	14.71	11.89				
538-26-48-1052	26-48-1052	E	5	18.67	15.85				
538-26-48-1062	26-48-1062	E	6	22.63	19.81				
538-26-48-1082	26-48-1082	E	8	30.56	27.74				
538-26-48-1102	26-48-1102	E	10	38.48	35.66				
538-26-48-1122	26-48-1122	E	12	46.41	43.59				
538-26-48-1242	26-48-1242	E	24	93.85	91.14				
Vertical Friction Lock, Tin Plating									
538-26-48-1025	26-48-1025	F	2	6.78	3.96				
538-26-48-1035	26-48-1035	F	3	10.74	7.92				
538-26-48-1045	26-48-1045	F	4	14.71	11.89				
538-26-48-1055	26-48-1055	F	5	18.67	15.85				
538-26-48-1065	26-48-1065	F	6	22.63	19.81				
538-26-48-1075	26-48-1075	F	7	26.59	23.77				
538-26-48-1085	26-48-1085	F	8	30.56	27.74				
538-26-48-1095	26-48-1095	F	9	34.52	31.70				
538-26-48-1105	26-48-1105	F	10	38.48	35.66				
538-26-48-1115	26-48-1115	F	11	42.44	39.62				
538-26-48-1125	26-48-1125	F	12	46.41	43.59				
538-26-48-1245	26-48-1245	F	24	93.85	91.14				
Right Angle Friction Lock, Tin Plating									
538-26-48-1026	26-48-1026	G	2	6.78	3.96				
538-26-48-1036	26-48-1036	G	3	10.74	7.92				
538-26-48-1046	26-48-1046	G	4	14.71	11.89				
538-26-48-1066	26-48-1066	G	6	22.63	19.81				
538-26-48-1076	26-48-1076	G	7	26.59	23.77				
538-26-48-1086	26-48-1086	G	8	30.56	27.74				
538-26-48-1096	26-48-1096	G	9	34.52	31.70				
538-26-48-1106	26-48-1106	G	10	38.48	35.66				
538-26-48-1126	26-48-1126	G	12	46.41	43.59				
538-26-48-1246	26-48-1246	G	24	93.85	91.14				

MOLEX SlimStack™ SMT Board-to-Board Connectors

RoHS Compliant **This product is RoHS compliant.**

0.40MM (.016") PITCH SLIMSTACK™ SMT CONNECTORS

Features:

- Durable blade on beam contact interface
- Anti-flux design
- J-Lead type SMT tail is 35% smaller than standard Gull Wing type
- Friction locks provide added mating retention to withstand shock and vibration
- Long wipe length helps provide good electrical reliability

Specifications:

- Pitch: 0.4mm
- Plating: Gold
- Mounting Style: Vertical
- Termination Style: SMT
- Current: 0.3A
- Voltage: 50V



RoHS Compliant

0.70mm Mated Height, Dual Row

For quantities greater than listed, call for quote.

MOUSER STOCK NO.	Molex Part No.	Fig.	Number of Circuits	Description	Price Each			
					1	10	25	50
Receptacles								
538-503548-0620	503548-0620	A	6	High Retention Type				
538-503548-1220	503548-1220	A	12	High Retention Type				
538-503548-1620	503548-1620	A	16	High Retention Type				
538-503304-1610	503304-1610	A	16	Two-points of contact				
538-503304-1810	503304-1810	A	18	Two-points of contact				
538-503304-3010	503304-3010	A	30	Two-points of contact				
538-503304-4010	503304-4010	A	40	Two-points of contact				
538-503304-5010	503304-5010	A	50	Two-points of contact				
Plugs								
538-503552-0620	503552-0620	B	6	High Retention Type				
538-503552-1220	503552-1220	B	12	High Retention Type				
538-503552-1620	503552-1620	B	16	High Retention Type				
538-503308-1610	503308-1610	B	16	Two-points of contact				
538-503308-1810	503308-1810	B	18	Two-points of contact				
538-503308-3010	503308-3010	B	30	Two-points of contact				
538-503308-4010	503308-4010	B	40	Two-points of contact				
538-503308-5010	503308-5010	B	50	Two-points of contact				

0.80mm Mated Height, Dual Row



For quantities greater than listed, call for quote.

MOUSER STOCK NO.	Molex Part No.	Fig.	Number of Circuits	Description	Price Each			
					1	10	25	50
Receptacles								
538-503772-1010	503772-1010	A	10	Two-points of contact				
538-503772-2010	503772-2010	A	20	Two-points of contact				
538-503772-3010	503772-3010	A	30	Two-points of contact				
538-503772-3410	503772-3410	A	34	Two-points of contact				
Plugs								
538-503776-1010	503776-1010	B	10	Two-points of contact				
538-503776-2010	503776-2010	B	20	Two-points of contact				
538-503776-3010	503776-3010	B	30	Two-points of contact				
538-503776-3410	503776-3410	B	34	Two-points of contact				

0.90mm Mated Height, Dual Row

For quantities greater than listed, call for quote.

MOUSER STOCK NO.	Molex Part No.	Fig.	Number of Circuits	Description	Price Each			
					1	10	25	50
Receptacles								
538-501591-2011	501591-2011	A	20	With J-Lead Tails and solder tabs				
538-501591-3011	501591-3011	A	30	With J-Lead Tails and solder tabs				
538-501591-7011	501591-7011	A	70	With J-Lead Tails and solder tabs				
Plugs								
538-501594-2011	501594-2011	B	20	With solder tabs				
538-501594-3011	501594-3011	B	30	With solder tabs				
538-501594-7011	501594-7011	B	70	With solder tabs				

1.0mm Mated Height, Dual Row

For quantities greater than listed, call for quote.

MOUSER STOCK NO.	Molex Part No.	Fig.	Number of Circuits	Description	Price Each			
					1	10	25	50
Receptacles								
538-502426-2010	502426-2010	C	20	With solder tabs				
538-502426-4010	502426-4010	C	40	With solder tabs				
538-502426-6010	502426-6010	C	60	With solder tabs				
Plugs								
538-502430-2010	502430-2010	D	20	With solder tabs				
538-502430-4010	502430-4010	D	40	With solder tabs				
538-502430-6010	502430-6010	D	60	With solder tabs				

1.50mm Mated Height, Dual Row

For quantities greater than listed, call for quote.

MOUSER STOCK NO.	Molex Part No.	Fig.	Number of Circuits	Description	Price Each			
					1	10	25	50
Receptacles								
538-503105-4010	503105-4010	E	40	Without solder tabs				
538-503105-5010	503105-5010	E	50	Without solder tabs				
Plugs								
538-503108-4010	503108-4010	F	40	Without solder tabs				
538-503108-5010	503108-5010	F	50	Without solder tabs				

3.50mm Mated Height, Dual Row

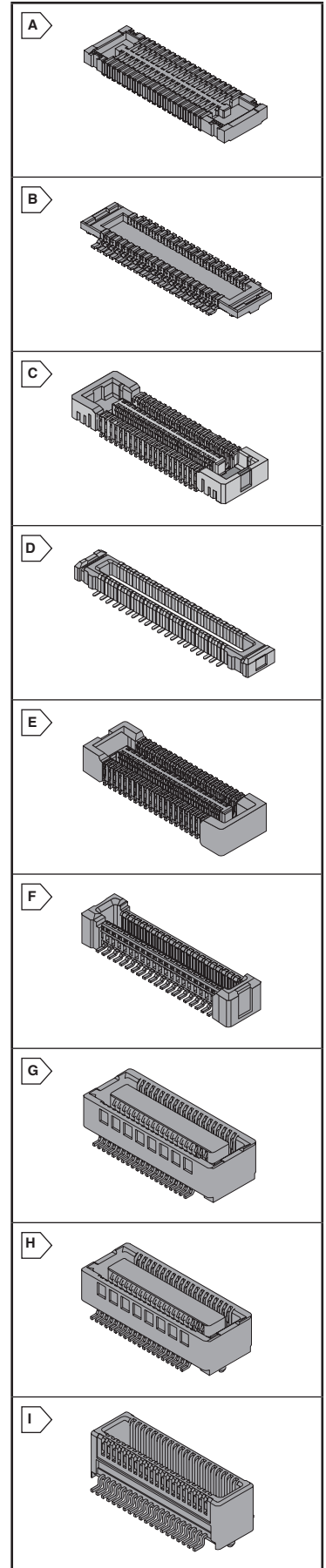
For quantities greater than listed, call for quote.

MOUSER STOCK NO.	Molex Part No.	Fig.	Number of Circuits	Description	Price Each			
					1	10	25	50
Receptacles								
538-54684-0704	54684-0704	G	70	Without solder tabs				
538-54684-0904	54684-0904	G	90	Without solder tabs				

4.00mm Mated Height, Dual Row

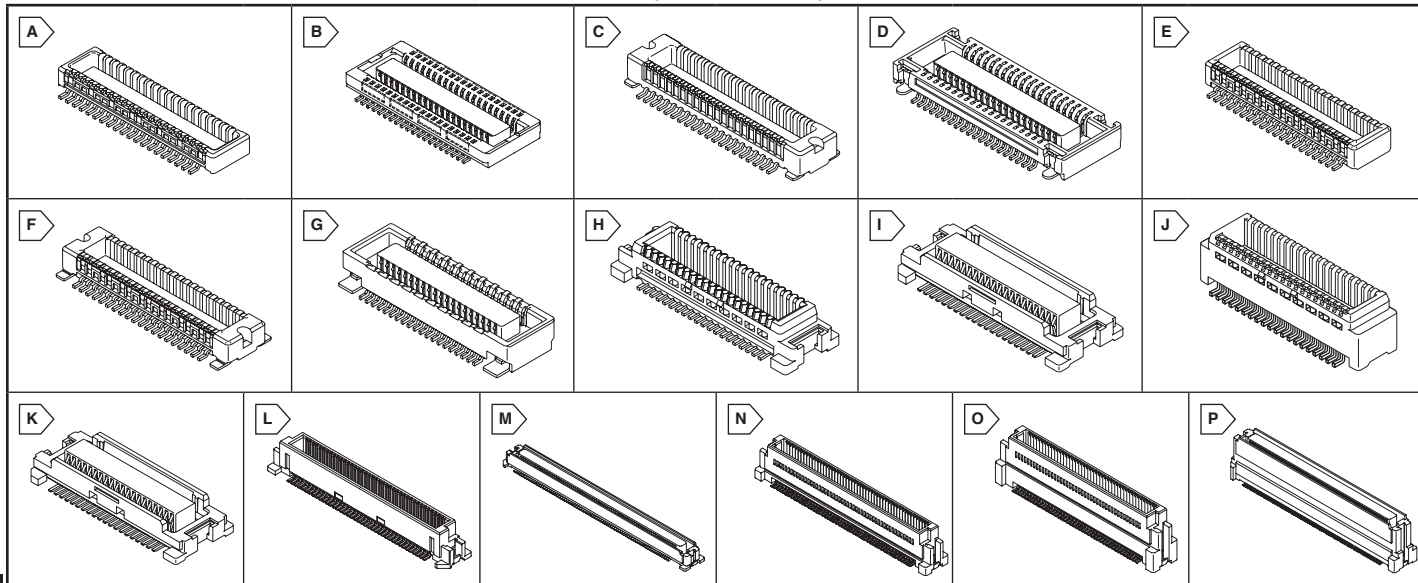
For quantities greater than listed, call for quote.

MOUSER STOCK NO.	Molex Part No.	Fig.	Number of Circuits	Description	Price Each			
					1	10	25	50
Receptacles								
538-54477-0608	54477-0608	H	60	With PCB positioning pegs				
538-54477-0808	54477-0808	H	80	With PCB positioning pegs				
538-54477-1208	54477-1208	H	120	With PCB positioning pegs				
Plugs								
538-55339-0608	55339-0608	I	60	With PCB positioning pegs				
538-55339-0808	55339-0808	I	80	With PCB positioning pegs				
538-55339-1208	55339-1208	I	120	With PCB positioning pegs				



Rectangular Connectors Molex

RoHS Compliant This product is RoHS compliant.



Molex Rectangular Connectors

0.50MM (.020") SLIMSTACK™ VERTICAL SMT BOARD-TO-BOARD CONNECTORS

Features:

- Durable blade on beam contact interface
- Anti-flux design
- J-Lead type SMT tail is 35% smaller than standard Gull Wing type
- Friction lock provides added mating retention to withstand shock or vibration
- Long wipe length helps provide good electrical reliability
- Applications include cell phones, digital cameras, PDA's and other mobile devices
- Board Mounting: SMT
- Plating: Gold
- Mating Style: Vertical
- RoHS Compliance per Molex documentation



RoHS Compliant

1.50mm Mated Height

- Voltage: 50V • Current: 0.5A

For quantities greater than listed, call for quote.

MOUSER STOCK NO.	Molex Part No.	Fig.	No. of Circuits	Gender	Price Each			
					1	10	25	50
538-55560-0207	55560-0607	A	20	Plug				
538-55560-0307	55560-0307	A	30	Plug				
538-55560-0407	55560-0407	A	40	Plug				
538-55560-0607	55560-0607	A	60	Plug				
538-54722-0607	54722-0607	B	60	Receptacle				

2.00mm Mated Height with Solder Tabs

- Voltage: 50V • Current: 0.5A

For quantities greater than listed, call for quote.

MOUSER STOCK NO.	Molex Part No.	Fig.	No. of Circuits	Gender	Price Each			
					1	10	25	50
538-55201-0878	55201-0878	C	80	Plug				
538-54363-0878	54363-0878	D	80	Receptacle				

2.50mm Mated Height

- Voltage: 50V • Current: 0.5A

For quantities greater than listed, call for quote.

MOUSER STOCK NO.	Molex Part No.	Fig.	No. of Circuits	Gender	Price Each			
					1	10	25	50
Without Solder Tabs								
538-53885-0208	53885-0208	E	20	Plug				
538-53885-0308	53885-0308	E	30	Plug				
With Solder Tabs								
538-53949-0878	53949-0878	F	80	Plug				
538-54150-0878	54150-0878	G	80	Receptacle				

3.00mm Mated Height

- Voltage: 50V • Current: 0.5A

For quantities greater than listed, call for quote.

MOUSER STOCK NO.	Molex Part No.	Fig.	No. of Circuits	Gender	Price Each			
					1	10	25	50
538-53748-0208	53748-0208	H	20	Plug				
538-53748-0308	53748-0308	H	30	Plug				
538-53748-0408	53748-0408	H	40	Plug				
538-53748-0708	53748-0708	H	70	Plug				
538-53748-0808	53748-0808	H	80	Plug				
538-52991-0208	52991-0208	I	20	Receptacle				
538-52991-0308	52991-0308	I	30	Receptacle				
538-52991-0408	52991-0408	I	40	Receptacle				
538-52991-0708	52991-0708	I	70	Receptacle				

4.00mm Mated Height

- Voltage: 50V • Current: 0.5A

For quantities greater than listed, call for quote.

MOUSER STOCK NO.	Molex Part No.	Fig.	No. of Circuits	Gender	Price Each			
					1	10	25	50
538-501920-3001	501920-3001	J	30	Plug				
538-54167-0308	54167-0308	K	30	Receptacle				

0.635 (.025") SLIMSTACK™ SMT BOARD-TO-BOARD CONNECTORS WITH SOLDER TABS

Features:

- Cantilever type gold contacts
- Beam on blade contact
- Metal friction lock
- High-temp LCP housing
- Shrouded plugs and receptacles

Specifications:

- Contact plating: Gold
- Mounting style: Vertical
- Termination style: SMT
- Current rating: 0.5A max.
- Voltage: 100V max.



RoHS Compliant

6.0mm Height

For quantities greater than listed, call for quote.

MOUSER STOCK NO.	Molex Part No.	Fig.	No. of Circuits	Color	Price Each		
					1	10	25
Plugs							
538-55091-0274	55091-0274	L	20	Black			
538-55091-0474	55091-0474	L	40	Black			
538-55091-0674	55091-0674	L	60	Black			
538-55091-1674	55091-1674	L	160	Black			
Receptacles							
538-52885-0274	52885-0274	M	20	White			
538-52885-0474	52885-0474	M	40	White			
538-52885-0674	52885-0674	M	60	White			

8.0mm Height

For quantities greater than listed, call for quote.

MOUSER STOCK NO.	Molex Part No.	Fig.	No. of Circuits	Color	Price Each		
					1	10	25
Plugs							
538-53647-0274	53647-0274	N	20	Black			
538-53647-0474	53647-0474	N	40	Black			
538-53647-1674	53647-1674	N	160	Black			
Receptacles							
538-52885-0274	52885-0274	M	20	White			
538-52885-0474	52885-0474	M	40	White			

10mm Height

For quantities greater than listed, call for quote.

MOUSER STOCK NO.	Molex Part No.	Fig.	No. of Circuits	Color	Price Each		
					1	10	25
Plugs							
538-53627-0474	53627-0474	O	40	Black			
538-53627-0674	53627-0674	O	60	Black			
538-53627-0874	53627-0874	O	80	Black			
Receptacles							
538-52885-0474	52885-0474	M	40	White			
538-52885-0674	52885-0674	M	60	White			
538-52885-0874	52885-0874	M	80	White			

12mm Height

For quantities greater than listed, call for quote.

MOUSER STOCK NO.	Molex Part No.	Fig.	No. of Circuits	Color	Price Each		
					1	10	25
Plugs							
538-55091-0274	55091-0274	L	20	Black			
538-55091-0474	55091-0474	L	40	Black			
538-55091-0674	55091-0674	L	60	Black			
Receptacles							
538-52901-0274	52901-0274	P	20	White			
538-52901-0474	52901-0474	P	40	White			
538-52901-0674	52901-0674	P	60	White			

14mm Height

For quantities greater than listed, call for quote.

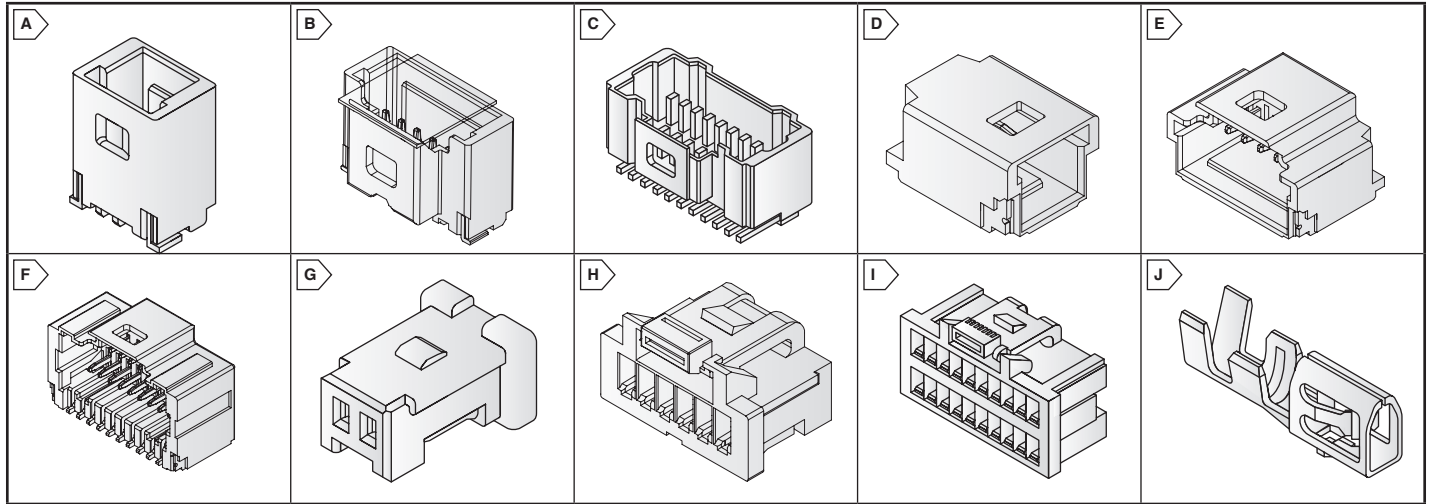
MOUSER STOCK NO.	Molex Part No.	Fig.	No. of Circuits	Color	Price Each		
					1	10	25
Plugs							
538-53647-0274	53647-0274	N	20	Black			
538-53647-0474	53647-0474	N	40	Black			
Receptacles							
538-52901-0274	52901-0274	P	20	White			
538-52901-0474	52901-0474	P	40	White			

16mm Height

For quantities greater than listed, call for quote.

MOUSER STOCK NO.	Molex Part No.	Fig.	No. of Circuits	Color	Price Each		
					1	10	25
Plugs							
538-53627-0474	53627-0474	O	40	Black			
538-53627-0674	53627-0674	O	60	Black			
538-53627-0874	53627-0874	O	80	Black			
Receptacles							
538-52901-0474	52901-0474	P	40	White			
538-52901-0674	52901-0674	P	60	White			
538-52901-0874	52901-0874	P	80	White			

MOLEX Pico-Clasp™ 1.00mm (.039") Pitch Connectors



PICO-CLASP WIRE TO BOARD HEADERS

The new 1.00mm (.039") pitch wire-to-board Pico-Clasp™ connector system from Molex was developed for various connections in Flat Panel Displays (FPD). The compact, small circuit size features of this system also make it ideal for other applications such as Notebook PCs and other compact devices. The system is offered in both single and dual row versions. Friction and positive locks are offered for various application needs. Other features include mating guides, solder tabs and footprint compatibility with some competitive versions.

Specifications:

- Voltage: 50V
- Current: 1.0A max.
- Contact resistance: 20mΩ max.
- Dielectric withstanding voltage: 250VAC
- Insulation resistance: 100MΩ min.

Features:

- Smallest pitch for positive lock Wire-to-Board crimp system
- Inner positive lock (6-50 circuit sizes)
- Low mating and un-mating forces
- Wide header variations
- Provides customers with many choices and design flexibility
- Provides space savings for mounting other components
- Prevents wire hooking
- Latch protection and secure mating retention
- Strong mating retention and clear clicking
- Easy connector insertion and extraction



RoHS Compliant

Vertical Surface Mount Headers

- With cover tape
- Single row

For quantities greater than listed, call for quote.

MOUSER STOCK NO.	Molex Part No.	Fig.	No. of Circuits	Price Each			
				1	10	100	500
Friction Lock - Single Row - with cover tape							
538-501331-0207	501331-0207	A	2				
538-501331-0307	501331-0307	A	3				
538-501331-0407	501331-0407	A	4				
538-501331-0507	501331-0507	A	5				
Positive Lock - Single Row - with cover tape							
538-501331-0607	501331-0607	B	6				
538-501331-0707	501331-0707	B	7				
538-501331-0807	501331-0807	B	8				
538-501331-0907	501331-0907	B	9				
538-501331-1007	501331-1007	B	10				
538-501331-1107	501331-1107	B	11				
538-501331-1207	501331-1207	B	12				
538-501331-1307	501331-1307	B	13				
538-501331-1407	501331-1407	B	14				
538-501331-1507	501331-1507	B	15				
Positive Lock - Dual Row - with pick and place tape							
538-501190-2017	501190-2017	C	20				
538-501190-3017	501190-3017	C	30				
538-501190-4017	501190-4017	C	40				
538-501190-5017	501190-5017	C	50				

Right Angle Surface Mount Headers

For quantities greater than listed, call for quote.

MOUSER STOCK NO.	Molex Part No.	Fig.	No. of Circuits	Price Each			
				1	10	100	500
Friction Lock - Single Row							
538-501568-0207	501568-0207	D	2				
538-501568-0307	501568-0307	D	3				
538-501568-0407	501568-0407	D	4				
538-501568-0507	501568-0507	D	5				
Positive Lock - Single Row							
538-501568-0607	501568-0607	E	6				
538-501568-0707	501568-0707	E	7				
538-501568-0807	501568-0807	E	8				
538-501568-0907	501568-0907	E	9				
538-501568-1007	501568-1007	E	10				
538-501568-1107	501568-1107	E	11				
538-501568-1207	501568-1207	E	12				
538-501568-1307	501568-1307	E	13				
538-501568-1407	501568-1407	E	14				
538-501568-1507	501568-1507	E	15				
Positive Lock - Dual Row							
538-501571-2007	501571-2007	F	20				
538-501571-3007	501571-3007	F	30				
538-501571-4007	501571-4007	F	40				

Housings

For quantities greater than listed, call for quote.

MOUSER STOCK NO.	Molex Part No.	Fig.	No. of Circuits	Price Each			
				1	10	100	500
Friction Lock - Single Row							
538-501330-0200	501330-0200	G	2				
538-501330-0300	501330-0300	G	3				
538-501330-0400	501330-0400	G	4				
538-501330-0500	501330-0500	G	5				
Positive Lock - Single Row							
538-501330-0600	501330-0600	H	6				
538-501330-0700	501330-0700	H	7				
538-501330-0800	501330-0800	H	8				
538-501330-0900	501330-0900	H	9				
538-501330-1000	501330-1000	H	10				
538-501330-1100	501330-1100	H	11				
538-501330-1200	501330-1200	H	12				
538-501330-1400	501330-1400	H	14				
538-501330-1500	501330-1500	H	15				
Friction Lock - Dual Row							
538-501189-2010	501189-2010	I	20				
538-501189-3010	501189-3010	I	30				
538-501189-4010	501189-4010	I	40				

TERMINALS

For quantities greater than listed, call for quote.

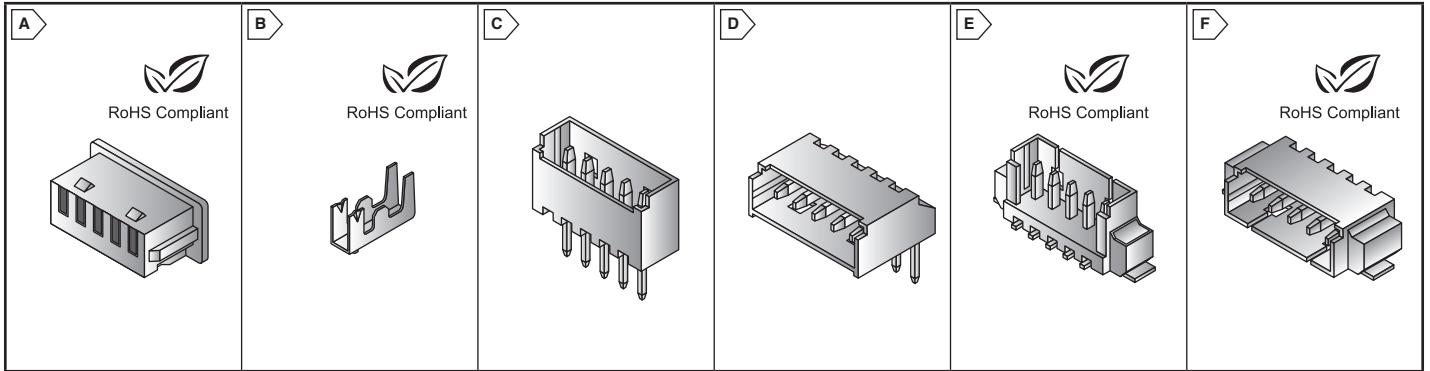
MOUSER STOCK NO.	Molex Part No.	Fig.	Description	Price Each		
				1	10	100
538-501334-0100	501334-0100	J	Single Row Terminal			

TOOLS

For quantities greater than listed, call for quote.

MOUSER STOCK NO.	Molex Part No.	Fig.	Description	Price Each
538-63819-1500	63819-1500	---	Crimp Hand Tool	
538-63813-1700	63813-1700	---	Hand Extraction Tool	

MOLEX PicoBlade™ 1.25mm (.049") Connectors



The 1.25mm (.049") pitch PicoBlade™ system is designed for high-density harness applications. It saves about 45% of PCB space compared to typical 2.00mm wire to board systems.

WIRE-TO-WIRE AND WIRE-TO-BOARD RECEPTACLES

Features:

- Series 51021
- Housing lance provides extra terminal retention
- Friction locks provide secure mating
- Use with Series 50079/50058
- Mates with Series 53398, 53261, 53047, and 53048

Specifications:

- Voltage: 125V
- Current: 1.0A, 32AWG: 0.8A
- Operating Temperature: -40°C to +85°C
- Housing: PBTP, UL 94V-0

For quantities greater than listed, call for quote.

MOUSER STOCK NO.	Molex Part No.	Fig.	No. of Circuits	Price Each			
				1	10	100	500
538-51021-0200	51021-0200	A	2				
538-51021-0300	51021-0300	A	3				
538-51021-0400	51021-0400	A	4				
538-51021-0500	51021-0500	A	5				
538-51021-0600	51021-0600	A	6				
538-51021-0700	51021-0700	A	7				
538-51021-0800	51021-0800	A	8				
538-51021-0900	51021-0900	A	9				
538-51021-1000	51021-1000	A	10				
538-51021-1100	51021-1100	A	11				
538-51021-1200	51021-1200	A	12				
538-51021-1400	51021-1400	A	14				
538-51021-1500	51021-1500	A	15				

Female Crimp Terminals

Features:

- Use with 51021 Series
- Locking tang secures terminal in housing

Specifications:

- Material: Phosphor Bronze
- Plating: Tin

For quantities greater than listed, call for quote.

MOUSER STOCK NO.	Molex Part No.	Fig.	Wire Size AWG	Price Each			
				1	100	500	1000
538-50058-8000	50058-8000	B	28-32 (Reel)				
538-50058-8100	50058-8100	B	28-32 (Bulk)				
538-50079-8000	50079-8000	B	26-28 (Reel)				
538-50079-8100	50079-8100	B	26-28 (Bulk)				

Tools

For quantities greater than listed, call for quote.

MOUSER STOCK NO.	Molex Part No.	Description	Price Each
538-63819-0300	63819-0300	Hand Crimper for 1.25mm, 26-32AWG	
538-11-03-0043	11-03-0043	Extraction Tool-contact	
538-11-03-0045	11-03-0045	Extraction Tool-housing	

PCB HEADERS

Vertical

Features:

- Series 53047
- Locking windows provide secure mating
- Mates with Series 51021
- Wire-to-Board

Specifications:

- Contact: Phosphor Bronze
- Plating: Tin
- Housing: 6/6 Nylon, UL 94V-0
- Voltage: 125V
- Current: 1.0A, 32AWG: 0.8A
- Operating Temp.: -40°C to +85°C

For quantities greater than listed, call for quote.

MOUSER STOCK NO.	Molex Part No.	Fig.	No. of Circuits	Price Each			
				1	10	100	500
538-53047-0210	53047-0210	C	2				
538-53047-0310	53047-0310	C	3				
538-53047-0410	53047-0410	C	4				
538-53047-0510	53047-0510	C	5				
538-53047-0610	53047-0610	C	6				
538-53047-0710	53047-0710	C	7				
538-53047-0810	53047-0810	C	8				
538-53047-0910	53047-0910	C	9				
538-53047-1010	53047-1010	C	10				
538-53047-1110	53047-1110	C	11				
538-53047-1210	53047-1210	C	12				
538-53047-1410	53047-1410	C	14				
538-53047-1510	53047-1510	C	15				

PCB HEADERS (CONT.)

Right Angle

Features:

- Series 53048
- Locking windows provide secure mating
- Mates with Series 51021
- Wire-to-Board

Specifications:

- Contact: Phosphor Bronze
- Plating: Tin
- Housing: 6/6 Nylon, UL 94V-0
- Voltage: 125V
- Current: 1.0A, 32AWG: 0.8A
- Operating Temp.: -40°C to +85°C

For quantities greater than listed, call for quote.

MOUSER STOCK NO.	Molex Part No.	Fig.	No. of Circuits	Price Each			
				1	10	100	500
538-53048-0210	53048-0210	D	2				
538-53048-0310	53048-0310	D	3				
538-53048-0410	53048-0410	D	4				
538-53048-0510	53048-0510	D	5				
538-53048-0610	53048-0610	D	6				
538-53048-0710	53048-0710	D	7				
538-53048-0810	53048-0810	D	8				
538-53048-0910	53048-0910	D	9				
538-53048-1010	53048-1010	D	10				
538-53048-1410	53048-1410	D	14				
538-53048-1510	53048-1510	D	15				

Vertical, SMT

• Series 53398

Features:

- Locking windows provide secure mating
- Metal solder tabs provide PCB hold-down and strain relief for SMT tails
- Mates with Series 51021
- Surface Mount
- Wire-to-Board
- RoHS Compliant per Molex documentation

Specifications:

- Housing: 4/6 Nylon, UL 94V-0
- Contact: Phosphor Bronze
- Plating: Tin
- Solder Tabs: Phosphor Bronze, Tin plating
- Operating Temperature: -40°C to +85°C
- Voltage: 125V
- Current: 1.0A, 32AWG: 0.8A

For quantities greater than listed, call for quote.

MOUSER STOCK NO.	Molex Part No.	Fig.	No. of Circuits	Price Each			
				1	10	100	500
538-53398-0271	53398-0271	E	2				
538-53398-0371	53398-0371	E	3				
538-53398-0471	53398-0471	E	4				
538-53398-0571	53398-0571	E	5				
538-53398-0671	53398-0671	E	6				
538-53398-0871	53398-0871	E	8				
538-53398-0971	53398-0971	E	9				
538-53398-1071	53398-1071	E	10				
538-53398-1171	53398-1171	E	11				
538-53398-1271	53398-1271	E	12				
538-53398-1371	53398-1371	E	13				
538-53398-1471	53398-1471	E	14				
538-53398-1571	53398-1571	E	15				

Right Angle, SMT

• Series 53261

Features:

- Locking windows provide secure mating
- Metal solder tabs provide PCB hold-down and strain relief for SMT tails
- Mates with Series 51021
- Surface Mount
- Wire-to-Board

Specifications:

- Housing: 4/6 Nylon, UL 94V-0
- Contact: Phosphor Bronze
- Plating: Tin/Lead
- Solder Tabs: Phosphor Bronze, Tin/Lead plating
- Operating Temperature: -40°C to +85°C
- Voltage: 125V
- Current: 1.0A, 32AWG: 0.8A

For quantities greater than listed, call for quote.

MOUSER STOCK NO.	Molex Part No.	Fig.	No. of Circuits	Price Each			
				1	10	100	500
538-53261-0271	53261-0271	F	2				
538-53261-0371	53261-0371	F	3				
538-53261-0471	53261-0471	F	4				
538-53261-0671	53261-0671	F	6				
538-53261-0771	53261-0771	F	7				
538-53261-0871	53261-0871	F	8				
538-53261-0971	53261-0971	F	9				
538-53261-1071	53261-1071	F	10				
538-53261-1471	53261-1471	F	14				
538-53261-1571	53261-1571	F	15				

RoHS Compliant This product is RoHS compliant.

PICOFLEX® SMT LATCHED HEADER 1.27MM (.050") PITCH

Features:

- Highly reliable, power and signal connectors
- Meets high-vibration and shock requirements
- Mating height of 6.40mm (.252")
- Ideal for small circuit applications
- Excellent polarization

Applications:

- Industrial
- Solar
- Medical
- Multimedia
- Automotive

Specifications:

- Current Rating: 2.4A max.
- Voltage: 250V max.
- Operating Temperature: -40°C to +105°C

For quantities greater than listed, call for quote.

MOUSER STOCK NO.	Molex Part No.	Fig.	No. of Circuits	Contact Plating	Overall Length (in.)	First-to-Last Circuit (in.)	Price Each			
							1	10	100	500
538-90816-0206	90816-0206	A	6	Tin	.449	.150				
538-90816-0208	90816-0208	A	8	Tin	.549	.250				
538-90816-0210	90816-0210	A	10	Tin	.649	.350				
538-90816-0212	90816-0212	A	12	Tin	.749	.450				
538-90816-0214	90816-0214	A	14	Tin	.849	.550				
538-90816-0216	90816-0216	A	16	Tin	.949	.650				
538-90816-0218	90816-0218	A	18	Tin	1.049	.750				
538-90816-0220	90816-0220	A	20	Tin	1.149	.850				
538-90816-0226	90816-0226	A	26	Tin	1.449	1.250				

PICOFLEX® SMT HEADER 1.27MM (.050") PITCH

Features:

- Highly reliable, power and signal connectors
- Meets high-vibration and shock requirements
- Mating height of 6.40mm (.252")
- Ideal for small circuit applications
- Excellent polarization

Applications:

- Industrial
- Solar
- Medical
- Multimedia
- Automotive

Specifications:

- Current Rating: 2.4A max.
- Voltage: 250V max.
- Operating Temperature: -40°C to +105°C

For quantities greater than listed, call for quote.

MOUSER STOCK NO.	Molex Part No.	Fig.	No. of Circuits	Contact Plating	Overall Length (in.)	First-to-Last Circuit (in.)	Price Each			
							1	10	100	500
538-90814-0804	90814-0804	B	4	Tin	.349	.150				
538-90814-0806	90814-0806	B	6	Tin	.449	.250				
538-90814-0808	90814-0808	B	8	Tin	.549	.350				
538-90814-0810	90814-0810	B	10	Tin	.649	.450				
538-90814-0812	90814-0812	B	12	Tin	.749	.550				
538-90814-0814	90814-0814	B	14	Tin	.849	.650				
538-90814-0816	90814-0816	B	16	Tin	.949	.750				
538-90814-0818	90814-0818	B	18	Tin	1.049	.850				
538-90814-0820	90814-0820	B	20	Tin	1.149	.950				
538-90814-0826	90814-0826	B	26	Tin	1.449	1.250				
538-90814-3804	90814-3804	B	4	Gold	.349	.150				
538-90814-3806	90814-3806	B	6	Gold	.449	.250				
538-90814-3808	90814-3808	B	8	Gold	.549	.350				
538-90814-3810	90814-3810	B	10	Gold	.649	.450				
538-90814-3812	90814-3812	B	12	Gold	.749	.550				
538-90814-3814	90814-3814	B	14	Gold	.849	.650				
538-90814-3816	90814-3816	B	16	Gold	.949	.750				
538-90814-3818	90814-3818	B	18	Gold	1.049	.850				
538-90814-3820	90814-3820	B	20	Gold	1.149	.950				
538-90814-3826	90814-3826	B	26	Gold	1.449	1.250				
Reverse Footprint										
538-93405-0504	93405-0504	B	4	Tin	.349	.150				
538-93405-0506	93405-0506	B	6	Tin	.449	.250				
538-93405-0508	93405-0508	B	8	Tin	.549	.350				
538-93405-0512	93405-0512	B	12	Tin	.649	.450				

PICOFLEX® PF-50, LOW PROFILE, IDT RECEPTACLE 1.27MM (.050") PITCH

Features:

- Highly reliable, power and signal connectors
- Meets high-vibration and shock requirements
- Mating height of 6.40mm (.252")
- Ideal for small circuit applications
- Excellent polarization

Applications:

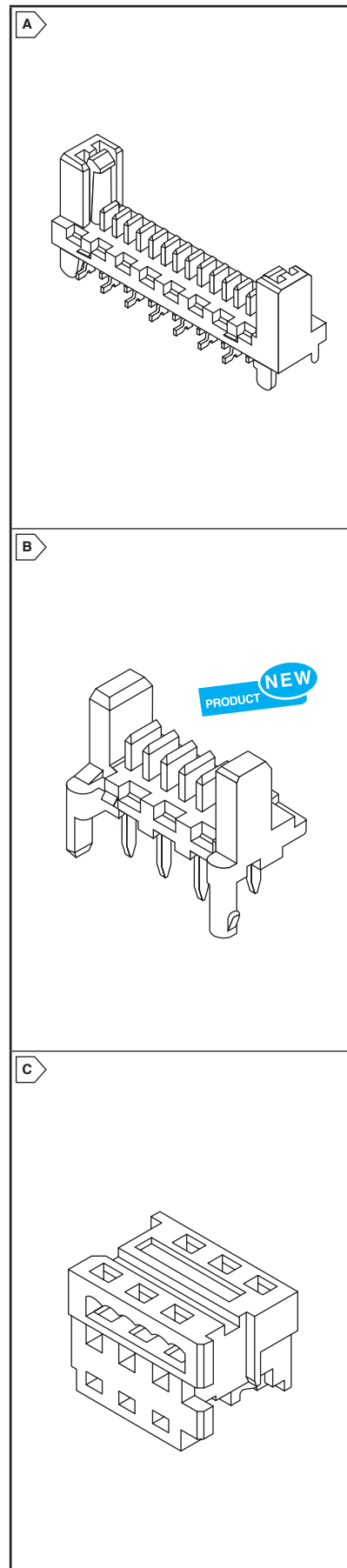
- Industrial
- Solar
- Medical
- Multimedia
- Automotive

Specifications:

- Current Rating: 1.2A max.
- Voltage: 250V max.
- Operating Temperature: -40°C to +105°C

For quantities greater than listed, call for quote.

MOUSER STOCK NO.	Molex Part No.	Fig.	No. of Circuits	Contact Plating	Overall Length (in.)	First-to-Last Circuit (in.)	Price Each			
							1	10	100	500
538-90327-0304	90327-0304	C	4	Tin	.299	.150				
538-90327-0306	90327-0306	C	6	Tin	.399	.250				
538-90327-0308	90327-0308	C	8	Tin	.499	.350				
538-90327-0310	90327-0310	C	10	Tin	.599	.450				
538-90327-0312	90327-0312	C	12	Tin	.699	.550				
538-90327-0314	90327-0314	C	14	Tin	.799	.650				
538-90327-0316	90327-0316	C	16	Tin	.899	.750				
538-90327-0318	90327-0318	C	18	Tin	.999	.850				
538-90327-0320	90327-0320	C	20	Tin	1.099	.950				
538-90327-0326	90327-0326	C	26	Tin	1.399	1.250				
538-90327-3304	90327-3304	C	4	Gold	.299	.150				
538-90327-3306	90327-3306	C	6	Gold	.399	.250				
538-90327-3308	90327-3308	C	8	Gold	.499	.350				
538-90327-3310	90327-3310	C	10	Gold	.599	.450				
538-90327-3312	90327-3312	C	12	Gold	.699	.550				
538-90327-3314	90327-3314	C	14	Gold	.799	.650				
538-90327-3316	90327-3316	C	16	Gold	.899	.750				
538-90327-3318	90327-3318	C	18	Gold	.999	.850				
538-90327-3320	90327-3320	C	20	Gold	1.099	.950				
538-90327-3326	90327-3326	C	26	Gold	1.399	1.250				

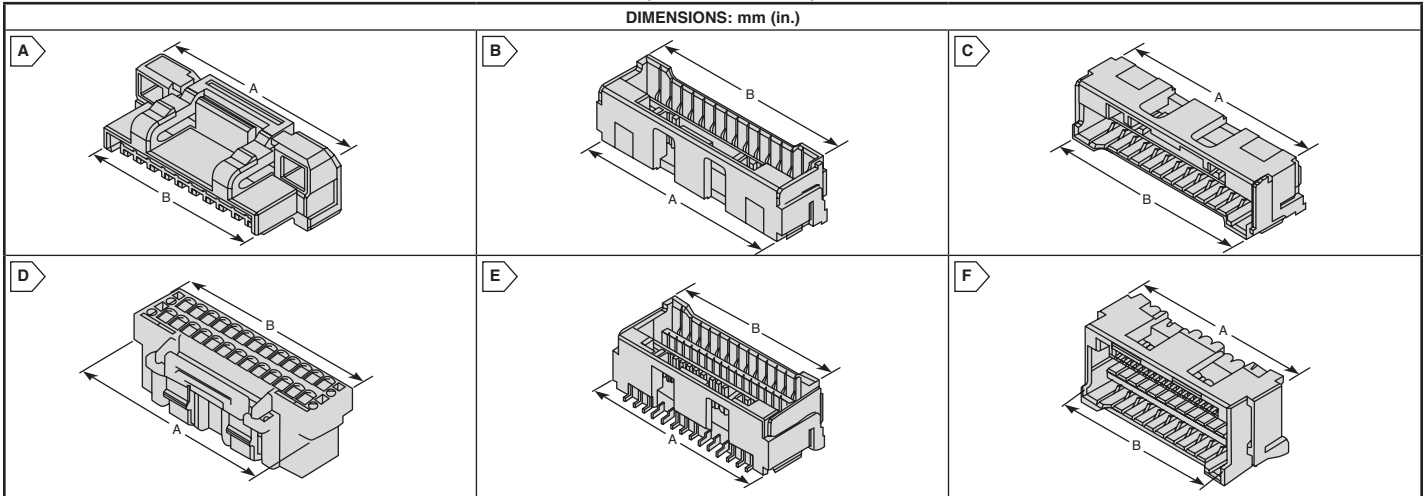


MOLEX CLIK-Mate™ Connectors

molex
one company > a world of innovation

RoHS Compliant This product is RoHS compliant.

DIMENSIONS: mm (in.)



CLIK-Mate connectors are designed for applications such as LCD TVs that require higher pin count to carry more signal lines in less space. The system includes a unique tuning-fork terminal concept that provides low-insertion force and secure mating contact.

Features:

- Positive inner locks
- Tuning-fork style contact design
- Flat area for pick-and-place
- Reinforced metal solder tabs
- Footprint compatibility

1.25MM CLIK-MATE CONNECTORS

Crimp Plug Housings

For quantities greater than listed, call for quote.

MOUSER STOCK NO.	Molex Part No.	Fig.	No. of Circuits	Dimensions: mm		Price Each		
				A	B	1	10	100
538-502380-0200	502380-0200	A	2	5.60	3.75			
538-502380-0300	502380-0300	A	3	6.85	5.00			
538-502380-0400	502380-0400	A	4	8.10	6.25			
538-502380-0500	502380-0500	A	5	9.35	7.50			
538-502380-0600	502380-0600	A	6	10.60	8.75			
538-502380-0800	502380-0800	A	8	13.10	11.25			
538-502380-1000	502380-1000	A	10	15.60	13.75			
538-502380-1400	502380-1400	A	14	20.60	18.75			
538-502380-1500	502380-1500	A	15	21.85	20.00			

Verticle Receptacles

For quantities greater than listed, call for quote.

MOUSER STOCK NO.	Molex Part No.	Fig.	No. of Circuits	Dimensions: mm		Price Each		
				A	B	1	10	100
538-502382-0270	502382-0270	B	2	5.85	4.75			
538-502382-0370	502382-0370	B	3	7.10	6.00			
538-502382-0470	502382-0470	B	4	8.35	7.25			
538-502382-0570	502382-0570	B	5	9.60	8.50			
538-502382-0670	502382-0670	B	6	10.85	9.75			
538-502382-0870	502382-0870	B	8	13.35	12.25			
538-502382-1070	502382-1070	B	10	15.85	14.75			
538-502382-1470	502382-1470	B	14	20.85	19.75			
538-502382-1570	502382-1570	B	15	22.10	21.00			

Right Angle Receptacles

For quantities greater than listed, call for quote.

MOUSER STOCK NO.	Molex Part No.	Fig.	No. of Circuits	Dimensions: mm		Price Each		
				A	B	1	10	100
538-502386-0270	502386-0270	C	2	5.85	4.75			
538-502386-0370	502386-0370	C	3	7.10	6.00			
538-502386-0470	502386-0470	C	4	8.35	7.25			
538-502386-0570	502386-0570	C	5	9.60	8.50			
538-502386-0670	502386-0670	C	6	10.85	9.75			
538-502386-0870	502386-0870	C	8	13.35	12.25			
538-502386-1070	502386-1070	C	10	15.85	14.75			
538-502386-1470	502386-1470	C	14	20.85	19.75			
538-502386-1570	502386-1570	C	15	22.10	21.00			

1.5MM CLIK-MATE CONNECTORS

Crimp Plug Housings

For quantities greater than listed, call for quote.

MOUSER STOCK NO.	Molex Part No.	Fig.	No. of Circuits	Dimensions: mm		Price Each		
				A	B	1	10	100
538-502578-0200	502578-0200	A	2	7.3	1.5			
538-502578-0400	502578-0400	A	4	10.3	4.5			
538-502578-0600	502578-0600	A	6	13.3	11.8			
538-502578-0800	502578-0800	A	8	16.3	10.5			
538-502578-1000	502578-1000	A	10	19.3	13.5			
538-502578-1400	502578-1400	A	14	25.3	19.5			
538-502578-1500	502578-1500	A	15	26.8	21.0			

Verticle Receptacles

For quantities greater than listed, call for quote.

MOUSER STOCK NO.	Molex Part No.	Fig.	No. of Circuits	Dimensions: mm		Price Each		
				A	B	1	10	100
538-502584-0270	502584-0270	B	2	7.3	1.5			
538-502584-0470	502584-0470	B	4	10.3	4.5			
538-502584-0670	502584-0670	B	6	13.3	7.5			
538-502584-1070	502584-1070	B	10	19.3	13.5			
538-502584-1270	502584-1270	B	12	22.3	16.5			
538-502584-1470	502584-1470	B	14	25.3	19.5			
538-502584-1570	502584-1570	B	15	26.8	21.0			

Right Angle Receptacles

For quantities greater than listed, call for quote.

MOUSER STOCK NO.	Molex Part No.	Fig.	No. of Circuits	Dimensions: mm		Price Each		
				A	B	1	10	100
538-502585-0470	502585-0470	C	4	10.3	4.5			
538-502585-0670	502585-0670	C	6	13.3	7.5			
538-502585-0870	502585-0870	C	8	16.3	10.5			
538-502585-1070	502585-1070	C	10	19.3	13.5			
538-502585-1270	502585-1270	C	12	22.3	16.5			
538-502585-1470	502585-1470	C	14	25.3	19.5			
538-502585-1570	502585-1570	C	15	26.8	21.0			

1.5MM CLIK-MATE CONNECTORS (CONT.)

Dual Row Crimp Plug Housings

For quantities greater than listed, call for quote.

MOUSER STOCK NO.	Molex Part No.	Fig.	No. of Circuits	Dimensions: mm		Price Each		
				A	B	1	10	100
538-503149-1200	503149-1200	D	12	13.3	7.5			
538-503149-2000	503149-2000	D	20	19.3	13.5			
538-503149-2800	503149-2800	D	28	25.3	19.5			

Dual Row Vertical Receptacles

For quantities greater than listed, call for quote.

MOUSER STOCK NO.	Molex Part No.	Fig.	No. of Circuits	Dimensions: mm		Price Each		
				A	B	1	10	100
538-503154-1090	503154-1090	E	10	11.8	6			
538-503154-1290	503154-1290	E	12	13.3	7.5			
538-503154-1690	503154-1690	E	16	16.3	10.5			
538-503154-2090	503154-2090	E	20	19.3	13.5			
538-503154-2490	503154-2490	E	24	22.3	16.5			
538-503154-2890	503154-2890	E	28	25.3	19.5			

Dual Row Right Angle Receptacles

For quantities greater than listed, call for quote.

MOUSER STOCK NO.	Molex Part No.	Fig.	No. of Circuits	Dimensions: mm		Price Each		
				A	B	1	10	100
538-503148-1090	503148-1090	F	10	11.8	6			
538-503148-1290	503148-1290	F	12	13.3	7.5			
538-503148-1690	503148-1690	F	16	16.3	10.5			
538-503148-2090	503148-2090	F	20	19.3	13.5			
538-503148-2490	503148-2490	F	24	22.3	16.5			

2.0MM CLIK-MATE CONNECTORS

Crimp Plug Housings

For quantities greater than listed, call for quote.

MOUSER STOCK NO.	Molex Part No.	Fig.	No. of Circuits	Dimensions: mm		Price Each		
				A	B	1	10	100
538-502439-0400	502439-0400	A	4	12.00	6.00			
538-502439-0600	502439-0600	A	6	16.00	10.00			
538-502439-0800	502439-0800	A	8	20.00	14.00			
538-502439-1200	502439-1200	A	12	28.00	22.00			
538-502439-1400	502439-1400	A	14	32.00	26.00			

Vertical Headers

For quantities greater than listed, call for quote.

MOUSER STOCK NO.	Molex Part No.	Fig.	No. of Circuits	Dimensions: mm		Price Each		
				A	B	1	10	100
538-502443-0470	502443-0470	B	4	12.00	6.00			
538-502443-0670	502443-0670	B	6	16.00	10.00			
538-502443-0870	502443-0870	B	8	20.00	14.00			
538-502443-1270	502443-1270	B	12	28.00	22.00			
538-502443-1470	502443-1470	B	14	32.00	26.00			

Right Angle Headers

For quantities greater than listed, call for quote.

MOUSER STOCK NO.	Molex Part No.	Fig.	No. of Circuits	Dimensions: mm		Price Each		
				A	B	1	10	100
538-502494-0470	502494-0470	C	4	12.00	6.00			
538-502494-0670	502494-0670	C	6	16.00	10.00			
538-502494-0870	502494-0870	C	8	20.00	14.00			
538-502494-1270	502494-1270	C	12	28.00	22.00			
538-502494-1470	502494-1470	C	14	32.00	26.00			

Contacts

For quantities greater than listed, call for quote.

MOUSER STOCK NO.	Molex Part No.	Pitch (mm)	AWG	Plating	Price Each		
					1	10	100
538-502381-0000	502381-0000	1.25	26-28	Tin			
538-502579-0000	502579-0000	1.5	24-28	Tin			
538-502438-0100	502438-0100	2	22-26	Tin			

Tooling

For quantities greater than listed, call for quote.

MOUSER STOCK NO.	Molex Part No.	Description	Price Each
538-63819-4400	63819-4400	Hand Crimp Tool 26-28 AWG	
538-63819-4600	63819-4600	Hand Crimp Tool 24-28 AWG	
538-63819-2800	63819-2800	Hand Crimp Tool 22-26 AWG	

MOLEX Pico-SPOX™ Connectors

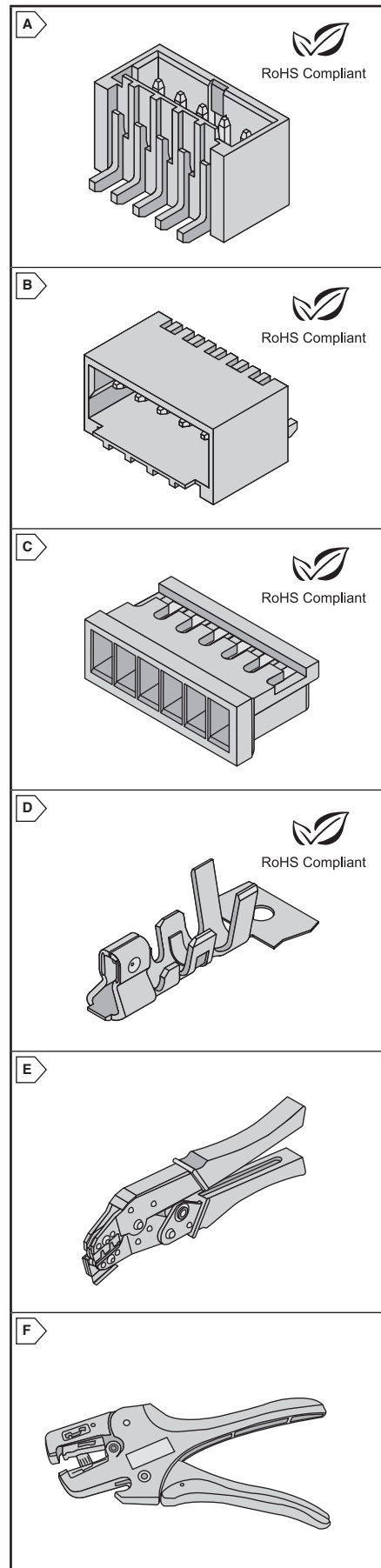
1.50MM (.059") PITCH PICO-SPOX™ CONNECTORS

Features:

- Dual-point contact design for greater reliability
- Anti-fishhooking contact design to improve handling during harness assembly
- Locking tang on contact for secure retention to the housing
- Friction lock between receptacle housing and headers insures secure retention when mated
- Lead-in chamber on receptacle to ease mating
- Headers fully shrouded to protect pins
- Polarized mating geometry insures header and receptacle cannot be mis-mated
- Lead-free plating
- RoHS Compliant per Molex Documentation

Specifications:

- Current: 3.0A max.
- Voltage: 50V
- Terminal: Phosphor Bronze
- Pin: Brass
- Plating: Lead-free Tin
- Operating Temperature: -55°C to +105°C
- Contact Resistance: 40mΩ max.
- Dielectric Withstanding Voltage: 500VAC per minute
- Insulation Resistance: 1000MΩ min.



Rectangular Connectors Molex

Vertical Header • Beige, Nylon 4/6 • UL94V-0

For quantities greater than listed, call for quote.

MOUSER STOCK NO.	Molex Part No.	Fig.	No. of Circuits	Overall Length (in.)	First-to-Last Circuit (in.)	Price Each			
						1	10	50	100
538-87437-0243	87437-0243	A	2	0.169	0.059				
538-87437-0343	87437-0343	A	3	0.228	0.118				
538-87437-0443	87437-0443	A	4	0.287	0.177				
538-87437-0543	87437-0543	A	5	0.346	0.236				
538-87437-0643	87437-0643	A	6	0.406	0.295				
538-87437-0743	87437-0743	A	7	0.465	0.354				
538-87437-0843	87437-0843	A	8	0.524	0.413				
538-87437-0943	87437-0943	A	9	0.583	0.472				
538-87437-1043	87437-1043	A	10	0.642	0.531				
538-87437-1243	87437-1243	A	12	0.760	0.650				
538-87437-1443	87437-1443	A	14	0.878	0.768				
538-87437-1543	87437-1543	A	15	0.937	0.827				

Right-Angle Header • Beige, Nylon 4/6 • UL94V-0

For quantities greater than listed, call for quote.

MOUSER STOCK NO.	Molex Part No.	Fig.	No. of Circuits	Overall Length (in.)	First-to-Last Circuit (in.)	Price Each			
						1	10	50	100
538-87438-0243	87438-0243	B	2	0.169	0.059				
538-87438-0343	87438-0343	B	3	0.228	0.118				
538-87438-0443	87438-0443	B	4	0.287	0.177				
538-87438-0543	87438-0543	B	5	0.346	0.236				
538-87438-0643	87438-0643	B	6	0.406	0.295				
538-87438-0743	87438-0743	B	7	0.465	0.354				
538-87438-0843	87438-0843	B	8	0.524	0.413				
538-87438-0943	87438-0943	B	9	0.583	0.472				
538-87438-1043	87438-1043	B	10	0.642	0.531				
538-87438-1143	87438-1143	B	11	0.701	0.591				
538-87438-1243	87438-1243	B	12	0.760	0.650				
538-87438-1443	87438-1443	B	14	0.878	0.768				
538-87438-1543	87438-1543	B	15	0.937	0.827				

Housing • White, Nylon 6/6 • UL94V-0

For quantities greater than listed, call for quote.

MOUSER STOCK NO.	Molex Part No.	Fig.	No. of Circuits	Overall Length (in.)	First-to-Last Circuit (in.)	Price Each			
						1	10	50	100
538-87439-0200	87439-0200	C	2	0.161	0.059				
538-87439-0300	87439-0300	C	3	0.220	0.118				
538-87439-0400	87439-0400	C	4	0.280	0.177				
538-87439-0500	87439-0500	C	5	0.339	0.236				
538-87439-0600	87439-0600	C	6	0.398	0.295				
538-87439-0700	87439-0700	C	7	0.457	0.354				
538-87439-0800	87439-0800	C	8	0.516	0.413				
538-87439-0900	87439-0900	C	9	0.575	0.472				
538-87439-1000	87439-1000	C	10	0.634	0.531				
538-87439-1100	87439-1100	C	11	0.693	0.591				
538-87439-1200	87439-1200	C	12	0.752	0.650				
538-87439-1400	87439-1400	C	14	0.870	0.768				
538-87439-1500	87439-1500	C	15	0.929	0.827				

CRIMP TERMINALS

Features:

- RoHS Compliant per Molex Documentation
- 24-30AWG

For quantities greater than listed, call for quote.

MOUSER STOCK NO.	Molex Part No.	Fig.	Contact	Plating	Price Each		
					1	100	500
538-87421-0000	87421-0000	D	Phosphor Bronze	Tin			

TOOLS

For quantities greater than listed, call for quote.

MOUSER STOCK NO.	Molex Part No.	Fig.	Description	Price Each	
				1	5
538-63811-6400	63811-6400	E	Hand Crimp Tool, 24-30AWG		
538-63817-0000	63817-0000	F	Manual Wire Stripper		
538-63817-0070	63817-0070	---	Straight Blade Replacement Cassette		
538-63817-0071	63817-0071	---	V Blade Replacement Cassette		

MOLEX 2mm iGrid™ Connectors



This page of product is compliant.

iGrid™ is a 2.00mm grid wire to board connector system. This dual row micro connector features an internal positive latch which prevents accidental disengagement and allows to be used in high vibration environments.

Features:

- Compact design
- High density
- Polarization
- Mating guide
- Audible click on positive inner latch
- High retention force

Specifications:

- Current rating: 2A
- Voltage Rating: 250V
- Wire gauge: 22-28
- Max insulation diameter: 1.50mm
- Operating Temp: -25°C - +85°C

Applications:

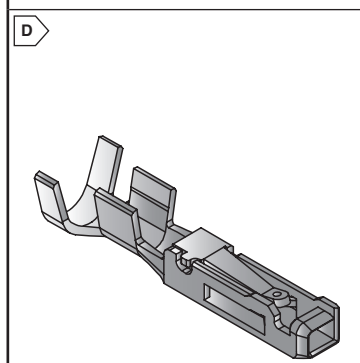
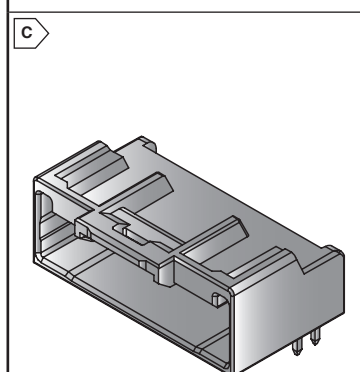
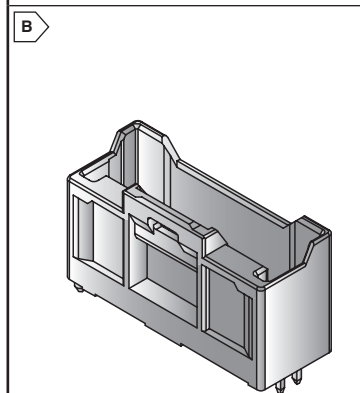
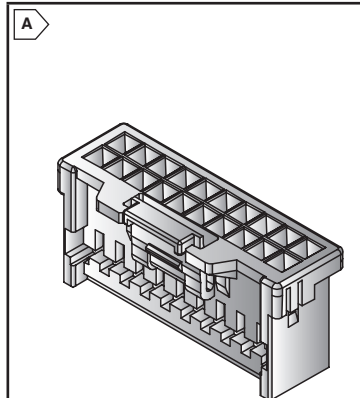
- Appliances
- HVAC
- Security systems
- GPS
- Medical
- Gaming/Amusement

HOUSINGS

- 66Nylon UL94V-0
- Natural color
- Width: 8.2mm
- Height: 10.55mm

For quantities greater than listed, call for quote.

MOUSER STOCK NO.	Molex Part No.	Fig.	Number of Circuits	Dimensions: mm		Price Each			
				Overall Length	First-to-Last Circuit	1	10	100	500
538-501646-1000	501646-1000	A	10	12.00	8.00				
538-501646-1200	501646-1200	A	12	14.00	10.00				
538-501646-1400	501646-1400	A	14	16.00	12.00				
538-501646-1600	501646-1600	A	16	18.00	14.00				
538-501646-1800	501646-1800	A	18	20.00	16.00				
538-501646-2000	501646-2000	A	20	22.00	18.00				
538-501646-2200	501646-2200	A	22	24.00	20.00				
538-501646-2400	501646-2400	A	24	26.00	22.00				
538-501646-2600	501646-2600	A	26	28.00	24.00				
538-501646-2800	501646-2800	A	28	30.00	26.00				
538-501646-3000	501646-3000	A	30	32.00	28.00				
538-501646-3200	501646-3200	A	32	34.00	30.00				
538-501646-3400	501646-3400	A	34	36.00	32.00				
538-501646-3600	501646-3600	A	36	38.00	34.00				
538-501646-3800	501646-3800	A	38	40.00	36.00				
538-501646-4000	501646-4000	A	40	42.00	38.00				



VERTICAL HEADERS

- 66Nylon UL94V-0
- Pin: Brass, Tin over copper
- Natural color
- Width: 8.2mm
- Height: 11.55mm

For quantities greater than listed, call for quote.

MOUSER STOCK NO.	Molex Part No.	Fig.	Number of Circuits	Dimensions: mm		Price Each			
				Overall Length	First-to-Last Circuit	1	10	100	500
538-501645-1020	501645-1020	B	10	12.00	8.00				
538-501645-1220	501645-1220	B	12	14.00	10.00				
538-501645-1420	501645-1420	B	14	16.00	12.00				
538-501645-1620	501645-1620	B	16	18.00	14.00				
538-501645-1820	501645-1820	B	18	20.00	16.00				
538-501645-2020	501645-2020	B	20	22.00	18.00				
538-501645-2220	501645-2220	B	22	24.00	20.00				
538-501645-2420	501645-2420	B	24	26.00	22.00				
538-501645-2620	501645-2620	B	26	28.00	24.00				
538-501645-2820	501645-2820	B	28	30.00	26.00				
538-501645-3020	501645-3020	B	30	32.00	28.00				
538-501645-3220	501645-3220	B	32	34.00	30.00				
538-501645-3420	501645-3420	B	34	36.00	32.00				
538-501645-3620	501645-3620	B	36	38.00	34.00				
538-501645-3820	501645-3820	B	38	40.00	36.00				
538-501645-4020	501645-4020	B	40	42.00	38.00				

RIGHT-ANGLE HEADERS

- 66Nylon UL94V-0
- Pin: Brass, Tin over copper
- Natural color
- Width: 14.5mm
- Height: 8.3mm

For quantities greater than listed, call for quote.

MOUSER STOCK NO.	Molex Part No.	Fig.	Number of Circuits	Dimensions: mm		Price Each			
				Overall Length	First-to-Last Circuit	1	10	100	500
538-501876-1040	501876-1040	C	10	12.00	8.00				
538-501876-1240	501876-1240	C	12	14.00	10.00				
538-501876-1440	501876-1440	C	14	16.00	12.00				
538-501876-1640	501876-1640	C	16	18.00	14.00				
538-501876-2440	501876-2440	C	24	26.00	22.00				
538-501876-2640	501876-2640	C	26	28.00	24.00				
538-501876-3440	501876-3440	C	34	36.00	32.00				
538-501876-3640	501876-3640	C	36	38.00	34.00				
538-501876-3840	501876-3840	C	38	40.00	36.00				
538-501876-4040	501876-4040	C	40	42.00	38.00				

TERMINALS

- Female

For quantities greater than listed, call for quote.

MOUSER STOCK NO.	Molex Part No.	Fig.	AWG	Contact	Plating	Price Each			
						1	10	100	500
538-501647-1000	501647-1000	D	22-26	Copper Alloy	Tin				
538-501648-1000	501648-1000	D	26-28	Copper Alloy	Tin				

TOOLING

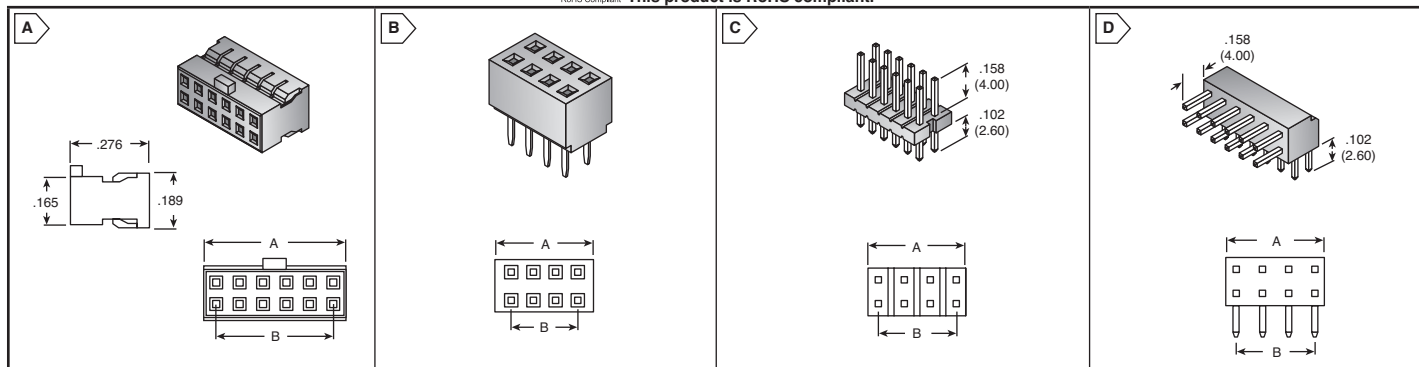
For quantities greater than listed, call for quote.

MOUSER STOCK NO.	Molex Part No.	Fig.	Description	Price Each
538-63819-2300	63819-2300	--	Crimp Hand Tool for 501647-1000	
538-63819-2400	63819-2400	--	Crimp Hand Tool for 501648-1000	

MOLEX 2mm Milli-Grid™ Connectors

molex
one company • a world of innovation

RoHS Compliant This product is RoHS compliant.



2.00MM (.079") CRIMP HOUSINGS VERTICAL DUAL ROW

- Front latches for added retention forces after mating
- Mates with 0.50mm square pin headers
- Housing: Black glass filled polyester, UL 94V-0
- Operating Temperature: -55°C to +105°C
- End-to-end and Side-to-side stackable
- AWG: 24-30

LR19980 E29179

For quantities greater than listed, call for quote.

MOUSER STOCK NO.	Molex Part No.	Fig.	No. of Circuits	Dimensions: mm		Price Each		
				A	B	1	10	100
With Polarization Keys								
* 538-511100851	51110-0851	A	8	8.20	6.00			
* 538-511101051	51110-1051	A	10	10.20	8.00			
* 538-511101251	51110-1251	A	12	12.20	10.00			
538-511101451	51110-1451	A	14	14.20	12.00			
538-511101651	51110-1651	A	16	16.20	14.00			
538-511101851	51110-1851	A	18	18.20	16.00			
538-511102051	51110-2051	A	20	20.20	18.00			
538-511102251	51110-2251	A	22	22.20	20.00			
538-511102451	51110-2451	A	24	24.20	22.00			
538-511102651	51110-2651	A	26	26.20	24.00			
538-511103051	51110-3051	A	30	30.20	28.00			
Without Polarization Keys								
538-511100450	51110-0450	A	4	4.20	2.00			
538-511100650	51110-0650	A	6	6.20	4.00			
* 538-511100850	51110-0850	A	8	8.20	6.00			
* 538-511101050	51110-1050	A	10	10.20	8.00			
* 538-511101250	51110-1250	A	12	12.20	10.00			
538-511101450	51110-1450	A	14	14.20	12.00			
538-511101650	51110-1650	A	16	16.20	14.00			
538-511102050	51110-2050	A	20	20.20	18.00			
538-511102250	51110-2250	A	22	22.20	20.00			
538-511102450	51110-2450	A	24	24.20	22.00			
538-511102650	51110-2650	A	26	26.20	24.00			
538-511103050	51110-3050	A	30	30.20	28.00			

* Center polarization key

2.00MM (.079") RECEPTACLES VERTICAL, DUAL ROW

- IR, vapor-phase and wave solder/surface mount compatible
- Dual beam contact design ensures reliable electrical performance
- Molded-in void locations for polarization to mating connector
- PC tails have tapered lead-in for insertion into the PC board
- Mates with 0.50mm square pin headers
- Through hole
- Board to board

- Current: 1.0A
- Voltage: 125V
- Housing: Black glass-filled LCP, UL 94V-0
- Operating Temperature: -55°C to 105°C
- Contact: Phosphor bronze
- Plating: 15µ" min. gold

LR19980 E29179

For quantities greater than listed, call for quote.

MOUSER STOCK NO.	Molex Part No.	Fig.	No. of Circuits	Dimensions: mm		Price Each		
				A	B	1	10	100
538-79107-7001	79107-7001	B	4	4.19	2.00			
538-79107-7002	79107-7002	B	6	6.19	4.00			
538-79107-7003	79107-7003	B	8	8.19	6.00			
538-79107-7004	79107-7004	B	10	10.19	8.00			
538-79107-7005	79107-7005	B	12	12.19	10.00			
538-79107-7006	79107-7006	B	14	14.19	12.00			
538-79107-7007	79107-7007	B	16	16.19	14.00			
538-79107-7008	79107-7008	B	18	18.19	16.00			
538-79107-7009	79107-7009	B	20	20.19	18.00			
538-79107-7010	79107-7010	B	22	22.19	20.00			
538-79107-7011	79107-7011	B	24	24.19	22.00			
538-79107-7014	79107-7014	B	30	30.19	28.00			
538-79107-7019	79107-7019	B	40	40.19	38.00			
538-791077021	79107-7021	B	44	44.19	42.00			
538-79107-7024	79107-7024	B	50	50.19	48.00			

© Copyright 2014 Mouser Electronics

mouser.com/molex

2.00MM (.079") VERTICAL HEADERS

- End-to-end stackable
- Mates with Milli-Grid Receptacles, Series 79107
- Surface Mount Compatible
- Housing: High temperature 4/6 nylon, UL 94V-0
- Contact: Phosphor bronze, 0.50mm square
- Plating: 15µ" select gold
- Operating Temperature: -55°C to +150°C
- PCB Thickness: 1.60 ± 0.10mm

LR19980 E29179

For quantities greater than listed, call for quote.

MOUSER STOCK NO.	Molex Part No.	Fig.	No. of Circuits	Dimensions: mm		Price Each		
				A	B	1	10	100
538-87758-0416	87758-0416	C	4	3.90	2.00			
538-87758-0616	87758-0616	C	6	5.90	4.00			
538-87758-0816	87758-0816	C	8	7.90	6.00			
538-87758-1016	87758-1016	C	10	9.90	8.00			
538-87758-1216	87758-1216	C	12	11.90	10.00			
538-87758-1416	87758-1416	C	14	13.90	12.00			
538-87758-1616	87758-1616	C	16	15.90	14.00			
538-87758-1816	87758-1816	C	18	17.90	16.00			
538-87758-2016	87758-2016	C	20	19.90	18.00			
538-87758-2216	87758-2216	C	22	21.90	20.00			
538-87758-2416	87758-2416	C	24	23.90	22.00			
538-87758-2616	87758-2616	C	26	25.90	24.00			
538-87758-2816	87758-2816	C	28	27.90	26.00			
538-87758-3016	87758-3016	C	30	29.90	28.00			
538-87758-4016	87758-4016	C	40	39.90	38.00			
538-87758-4216	87758-4216	C	42	41.90	40.00			
538-87758-4616	87758-4616	C	46	45.90	44.00			
538-87758-5016	87758-5016	C	50	49.90	48.00			

2.00MM (.079") RIGHT ANGLE HEADERS

- End-to-end stackable
- Mates with Milli-Grid Receptacles, Series 79107
- Housing: Black glass-filled polyester, UL 94V-0
- Contact: Phosphor bronze, 0.50mm square
- Plating: 15µ" select gold
- Operating Temperature: -55°C to +105°C

E29179 LR19980-182

For quantities greater than listed, call for quote.

MOUSER STOCK NO.	Molex Part No.	Fig.	No. of Circuits	Dimensions: mm		Price Each		
				A	B	1	10	100
538-87760-0416	87760-0416	D	4	2.00	4.00			
538-87760-0616	87760-0616	D	6	4.00	6.00			
538-87760-0816	87760-0816	D	8	6.00	8.00			
538-87760-1016	87760-1016	D	10	8.00	10.00			
538-87760-1216	87760-1216	D	12	10.00	12.00			
538-87760-1416	87760-1416	D	14	12.00	14.00			
538-87760-1616	87760-1616	D	16	14.00	16.00			
538-87760-2016	87760-2016	D	20	18.00	20.00			
538-87760-2416	87760-2416	D	24	22.00	24.00			
538-87760-2616	87760-2616	D	26	24.00	26.00			

Crimp Terminal

- Contact: Phosphor bronze
- Operating Temperature: -40°C to +105°C
- Voltage: 250V

LR19980 E29179

For quantities greater than listed, call for quote.

MOUSER STOCK NO.	Molex Part No.	AWG	Price Each		
			1	100	500
538-50394-8100	50394-8100	24-30			

Tool

- 24-30AWG

For quantities greater than listed, call for quote.

MOUSER STOCK NO.	Molex Part No.	Description	Price Each	
			1	5
538-63819-0100	63819-0100	Hand Crimp Tool		

© Copyright 2014 Mouser Electronics

For current pricing, visit mouser.com

EUsales@mouser.com

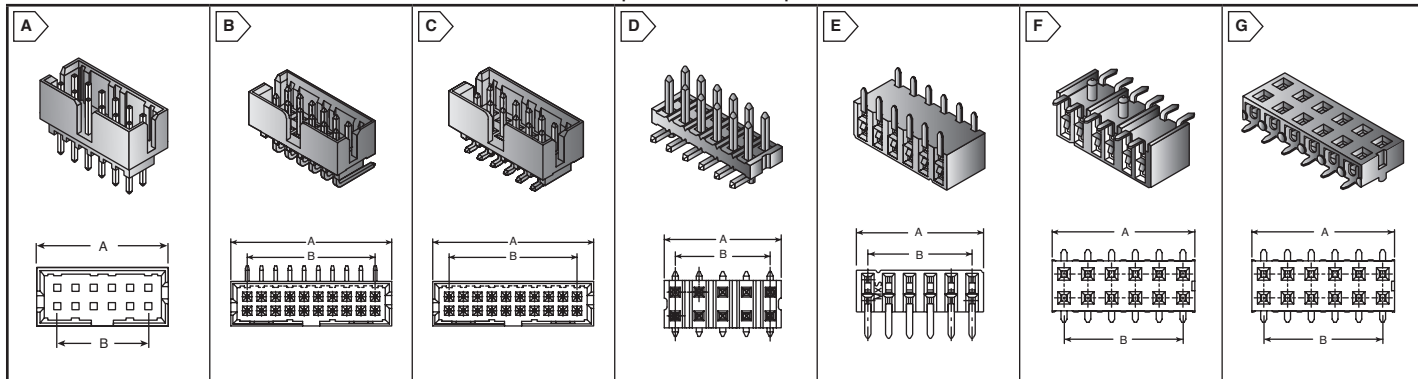
1571

Rectangular Connectors Molex

MOLEX 2mm Milli-Grid™ Connectors

molex
one company a world of innovation

RoHS Compliant This product is RoHS compliant.



2.00MM (.079") VERTICAL SHROUDED HEADERS

- Fully shrouded to protect pins during mating/unmating
- Center slot for polarization
- Side latches for mechanical locking (18, 40 circuit only)
- No center polarization slot for circuit size 4 and 6
- Housing: Black 4/6 nylon, UL 94V-0
- Contact: Phosphor bronze
- Plating: 15µ" select gold



For quantities greater than listed, call for quote.

MOUSER STOCK NO.	Molex Part No.	Fig.	No. of Circuits	Dimensions: mm		Price Each		
				A	B	1	10	100
538-87831-0420	87831-0420	A	4	6.65	2.00			
538-87831-0620	87831-0620	A	6	8.65	4.00			
538-87831-0820	87831-0820	A	8	10.65	6.00			
538-87831-1020	87831-1020	A	10	12.65	8.00			
538-87831-1220	87831-1220	A	12	14.65	10.00			
538-87831-1420	87831-1420	A	14	16.65	12.00			
538-87831-1620	87831-1620	A	16	18.65	16.00			
538-87831-1820	87831-1820	A	18	20.65	16.00			
538-87831-2020	87831-2020	A	20	22.65	18.00			
538-87831-2220	87831-2220	A	22	24.65	20.00			
538-87831-2420	87831-2420	A	24	26.65	22.00			
538-87831-3020	87831-3020	A	30	32.65	28.00			
538-87831-4020	87831-4020	A	40	42.65	38.00			
538-87831-4420	87831-4420	A	44	46.65	42.00			
538-87831-5020	87831-5020	A	50	52.65	48.00			

2.00MM (.079") SHROUDED VERTICAL SURFACE MOUNT HEADERS

- Plastic locating pegs version for accurate placement on PCB
- Optional voided pin version for polarization to the mating part available
- Current: 2.0A • Voltage: 125V
- Housing: PA Polyimide (Nylon), High Temperature UL 94V-0
- Plating Contact: 0.38µm (15µ") Selective Gold (Au)

For quantities greater than listed, call for quote.

MOUSER STOCK NO.	Molex Part No.	Fig.	No. of Circuits	Dimensions: mm		Price Each		
				A	B	1	10	100
538-87759-0850	87759-0850	D	8	7.90	6.00			
538-87759-1050	87759-1050	D	10	9.90	8.00			
538-87759-1250	87759-1250	D	12	11.90	10.00			
538-87759-1450	87759-1450	D	14	13.90	12.00			
538-87759-1650	87759-1650	D	16	15.90	14.00			
538-87759-1850	87759-1850	D	18	17.90	16.00			
538-87759-2050	87759-2050	D	20	19.90	18.00			
538-87759-2250	87759-2250	D	22	21.90	20.00			
538-87759-2450	87759-2450	D	24	23.90	22.00			
538-87759-2650	87759-2650	D	26	25.90	24.00			
538-87759-2850	87759-2850	D	28	27.90	26.00			
538-87759-3050	87759-3050	D	30	29.90	28.00			

2.00MM (.079") SIDE ENTRY RECEPTACLES

- Surface Mount Compatible
- Center polarization slot (8 to 12 Circuits)
- Housing: Black high-temperature nylon UL 94V-0
- Center polarization slot and front windows (14 to 50 Circuits)

For quantities greater than listed, call for quote.

MOUSER STOCK NO.	Molex Part No.	Fig.	No. of Circuits	Dimensions: mm		Price Each		
				A	B	1	10	100
538-87264-0852	87264-0852	E	8	8.20	6.00			
538-87264-1052	87264-1052	E	10	10.20	8.00			
538-87264-1852	87264-1852	E	18	18.20	16.00			
538-87264-2052	87264-2052	E	20	20.20	18.00			
538-87264-2452	87264-2452	E	24	24.20	22.00			
538-87264-2852	87264-2852	E	28	28.20	26.00			
538-87264-4252	87264-4252	E	42	42.20	40.00			
538-87264-4852	87264-4852	E	48	48.20	46.00			
538-87264-5052	87264-5052	E	50	50.20	48.00			

2.0MM (.079") SIDE ENTRY SMT RECEPTACLES

- Polarization peg standard
- Plating Contact: Phosphor Bronze (CuSn)
- Current: 1.0A
- Voltage: 125V

For quantities greater than listed, call for quote.

MOUSER STOCK NO.	Molex Part No.	Fig.	No. of Circuits	Dimensions: mm		Price Each		
				A	B	1	10	100
538-87368-1624	87368-1624	F	16	16.20	14.00			
538-87368-2424	87368-2424	F	24	24.20	22.00			
538-87368-3024	87368-3024	F	30	30.20	28.00			
538-87368-4424	87368-4424	F	44	44.20	42.00			
538-87368-5024	87368-5024	F	50	50.20	48.00			

2.00MM (.079") TOP/BOTTOM ENTRY SMT RECEPTACLES

- Locating peg version standard
- Very low profile height of 2.15mm
- End-to-end stackable
- Plating Contact: Phosphor Bronze (CuSn)
- Current: 1.0A
- Voltage: 125V
- Housing: LCP Liquid Crystal Polymer, Glass-filled UL 94V-0

For quantities greater than listed, call for quote.

MOUSER STOCK NO.	Molex Part No.	Fig.	No. of Circuits	Dimensions: mm		Price Each		
				A	B	1	10	100
538-87340-0424	87340-0424	G	4	4.00	2.00			
538-87340-0624	87340-0624	G	6	6.00	4.00			
538-87340-0824	87340-0824	G	8	8.00	6.00			
538-87340-1024	87340-1024	G	10	10.00	8.00			
538-87340-1224	87340-1224	G	12	12.00	10.00			
538-87340-1424	87340-1424	G	14	14.00	12.00			
538-87340-1624	87340-1624	G	16	16.00	14.00			
538-87340-1824	87340-1824	G	18	18.00	16.00			
538-87340-2024	87340-2024	G	20	20.00	18.00			

2.00MM (.079") RIGHT ANGLE SHROUDED HEADERS

- Fully shrouded to protect pins during mating/unmating
- Center polarization slot (8 to 12 Circuits)
- Center polarization slot and front windows (14 to 50 Circuits)
- Current: 2.0A • Voltage: 125V
- Housing: PA Polyimide (Nylon) 4/6 UL 94V-0
- Plating Contact: 0.38µm (15µ") Gold (Au)

For quantities greater than listed, call for quote.

MOUSER STOCK NO.	Molex Part No.	Fig.	No. of Circuits	Dimensions: mm		Price Each		
				A	B	1	10	100
538-87833-1020	87833-1020	B	10	12.65	8.00			
538-87833-1220	87833-1220	B	12	14.65	10.00			
538-87833-1420	87833-1420	B	14	16.65	12.00			
538-87833-1620	87833-1620	B	16	18.65	14.00			
538-87833-2020	87833-2020	B	20	22.65	18.00			
538-87833-2420	87833-2420	B	24	26.65	22.00			
538-87833-3020	87833-3020	B	30	32.65	28.00			
538-87833-4020	87833-4020	B	40	42.65	38.00			

2.00MM (.079") SHROUDED VERTICAL SURFACE MOUNT HEADERS

- Fully shrouded to protect pins during mating/unmating
- Center polarization slot (8 to 12 Circuits)
- Center polarization slot and front windows (14 to 50 Circuits)
- Current: 2.0A • Voltage: 125V
- Housing: PA Polyimide (Nylon) 4/6, Glass-filled UL 94V-0
- Plating Contact: 0.38µm (15µ") Gold (Au)

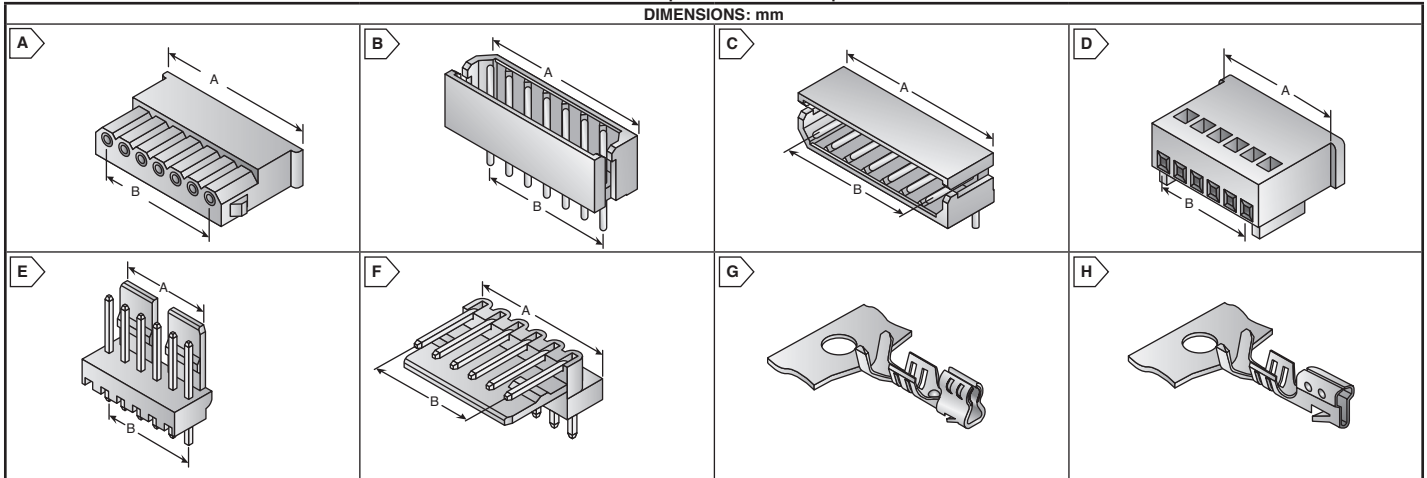
For quantities greater than listed, call for quote.

MOUSER STOCK NO.	Molex Part No.	Fig.	No. of Circuits	Dimensions: mm		Price Each		
				A	B	1	10	100
538-87832-0420	87832-0420	C	4	6.65	2.00			
538-87832-0620	87832-0620	C	6	8.65	4.00			
538-87832-0820	87832-0820	C	8	10.65	6.00			
538-87832-1020	87832-1020	C	10	12.65	8.00			
538-87832-1220	87832-1220	C	12	14.65	10.00			
538-87832-1420	87832-1420	C	14	16.65	12.00			
538-87832-1620	87832-1620	C	16	18.65	14.00			
538-87832-1820	87832-1820	C	18	20.65	16.00			
538-87832-2020	87832-2020	C	20	22.65	18.00			
538-87832-2220	87832-2220	C	22	24.65	20.00			
538-87832-2420	87832-2420	C	24	26.65	22.00			
538-87832-3020	87832-3020	C	30	32.65	28.00			
538-87832-4020	87832-4020	C	40	42.65	38.00			
538-87832-4420	87832-4420	C	44	46.65	42.00			
538-87832-5020	87832-5020	C	50	52.65	48.00			

MOLEX 2.50mm SPOX™ Connectors

 This product is RoHS compliant.

DIMENSIONS: mm



CRIMP TERMINAL HOUSINGS

- Series 5264-N
- Very low profile
- Friction lock
- Molded-in pull tabs
- Mates with series 5267-NA and 5268-NA
- Use with terminal series 5263
- Operating temperature: -40°C to +105°C
- Housing: 6/6 nylon, UL 94V-0
- RoHS Compliant per Molex documentation



For quantities greater than listed, call for quote.

MOUSER STOCK NO.	Molex Part No.	Fig.	No. of Circuits	Dimensions: mm		Price Each			
				A	B	1	10	100	500
538-50-37-5023	50-37-5023	A	2	5.80	2.50				
538-50-37-5033	50-37-5033	A	3	8.30	5.00				
538-50-37-5043	50-37-5043	A	4	10.80	7.50				
538-50-37-5053	50-37-5053	A	5	13.30	10.00				
538-50-37-5063	50-37-5063	A	6	15.80	12.50				
538-50-37-5073	50-37-5073	A	7	18.30	15.00				
538-50-37-5083	50-37-5083	A	8	20.80	17.50				
538-50-37-5093	50-37-5093	A	9	23.30	20.00				
538-50-37-5103	50-37-5103	A	10	25.80	22.50				
538-50-37-5113	50-37-5113	A	11	28.30	25.00				
538-50-37-5123	50-37-5123	A	12	30.80	27.50				
538-50-37-5133	50-37-5133	A	13	33.30	30.00				
538-50-37-5143	50-37-5143	A	14	35.80	32.50				
538-50-37-5153	50-37-5153	A	15	38.30	35.00				

CRIMP TERMINAL HOUSINGS

- Series 5102-N
- Low profile
- Friction lock
- Molded-in pull tabs
- Mates with series 5045 and 5046
- Use with terminal series 5103
- Operating temperature: -40°C to +105°C
- Housing: 6/6 nylon, UL 94V-0
- RoHS Compliant per Molex documentation



For quantities greater than listed, call for quote.

MOUSER STOCK NO.	Molex Part No.	Fig.	No. of Circuits	Dimensions: mm		Price Each			
				A	B	1	10	100	500
538-22-01-1024	22-01-1024	D	2	6.00	2.50				
538-22-01-1034	22-01-1034	D	3	8.50	5.00				
538-51191-0400	51191-0400	D	4	12.50	7.50				
538-22-01-1054	22-01-1054	D	5	13.50	10.00				
538-22-01-1064	22-01-1064	D	6	16.00	12.50				
538-22-01-1074	22-01-1074	D	7	18.50	15.00				
538-22-01-1084	22-01-1084	D	8	21.00	17.50				
538-22-01-1094	22-01-1094	D	9	23.50	20.00				
538-22-01-1104	22-01-1104	D	10	26.00	22.50				
538-22-01-1114	22-01-1114	D	11	28.50	25.00				

HEADERS

- Mates with series 5102-N housings
- .064mm square wire pins
- Contact: Brass
- Plating: Tin
- Housing: 6/6 nylon, UL 94V-0
- Operating temperature: -40°C to +105°C
- RoHS Compliant per Molex documentation



For quantities greater than listed, call for quote.

MOUSER STOCK NO.	Molex Part No.	Fig.	No. of Circuits	Dimensions: mm		Price Each			
				A	B	1	10	100	500
Vertical - Polarizing Lock - Series 5045									
538-22-04-1021	22-04-1021	E	2	4.50	2.50				
538-22-04-1031	22-04-1031	E	3	7.00	5.00				
538-22-04-1041	22-04-1041	E	4	9.50	7.50				
538-22-04-1051	22-04-1051	E	5	12.00	10.00				
538-22-04-1061	22-04-1061	E	6	14.50	12.50				
538-22-04-1071	22-04-1071	E	7	17.00	15.00				
538-22-04-1081	22-04-1081	E	8	19.50	17.50				
538-22-04-1091	22-04-1091	E	9	22.00	20.00				
538-22-04-1101	22-04-1101	E	10	24.50	22.50				
538-22-04-1111	22-04-1111	E	11	27.00	25.00				

Mini-Latch™ Right Angle - Friction Lock - Series 5046

538-22-05-1022	22-05-1022	F	2	4.50	2.50				
538-22-05-1032	22-05-1032	F	3	7.00	5.00				
538-22-05-1042	22-05-1042	F	4	9.50	7.50				
538-22-05-1052	22-05-1052	F	5	12.00	10.00				
538-22-05-1072	22-05-1072	F	7	17.00	15.00				
538-22-05-1082	22-05-1082	F	8	19.50	17.50				

FULLY SHROUDED HEADERS

- Series 5276-NA and 5268-NA
- 0.70mm round pins
- Polarized
- Friction lock
- Mates with series 5264-N and 42219
- Contact: brass
- Plating: tin
- Housing: 6/6 nylon, UL 94V-0
- Operating temperature: 0°C to +75°C
- RoHS Compliant per Molex documentation



For quantities greater than listed, call for quote.

MOUSER STOCK NO.	Molex Part No.	Fig.	No. of Circuits	Dimensions: mm		Price Each			
				A	B	1	10	100	500
Vertical									
538-22-03-5025	22-03-5025	B	2	7.40	2.50				
538-22-03-5035	22-03-5035	B	3	9.90	5.00				
538-22-03-5045	22-03-5045	B	4	12.40	7.50				
538-22-03-5055	22-03-5055	B	5	14.90	10.00				
538-22-03-5065	22-03-5065	B	6	17.40	12.50				
538-22-03-5075	22-03-5075	B	7	19.90	15.00				
538-22-03-5085	22-03-5085	B	8	22.40	17.50				
538-22-03-5095	22-03-5095	B	9	24.90	20.00				
538-22-03-5105	22-03-5105	B	10	27.40	22.50				
538-22-03-5125	22-03-5125	B	12	32.40	27.50				
538-22-03-5145	22-03-5145	B	14	37.40	32.50				
538-22-03-5155	22-03-5155	B	15	39.90	35.00				
Right Angle									
538-22-05-7025	22-05-7025	C	2	7.40	2.50				
538-22-05-7035	22-05-7035	C	3	9.90	5.00				
538-22-05-7045	22-05-7045	C	4	12.40	7.50				
538-22-05-7055	22-05-7055	C	5	14.90	10.00				
538-22-05-7065	22-05-7065	C	6	17.40	12.50				
538-22-05-7075	22-05-7075	C	7	19.90	15.00				
538-22-05-7085	22-05-7085	C	8	22.40	17.50				
538-22-05-7095	22-05-7095	C	9	24.90	20.00				
538-22-05-7105	22-05-7105	C	10	27.40	22.50				

CRIMP TERMINALS

- Series 5263 and 5103
- Anti-fishhooking design
- RoHS Compliant per Molex documentation



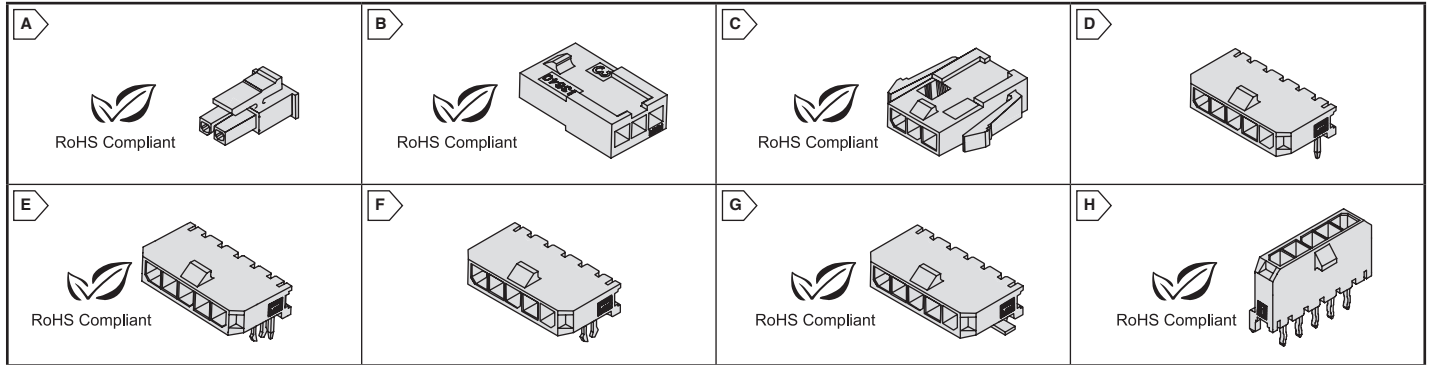
For quantities greater than listed, call for quote.

MOUSER STOCK NO.	Molex Part No.	Fig.	Type	AWG	Plating	Price Each			
						1	100	500	1000
Series 5263									
538-08-70-1040	08-70-1040	G	Female	22-28	Tin/Bronze				
Series 5103									
538-08-70-0057	08-70-0057	H	Female	22-28	Tin/Brass				

TOOLING

MOUSER STOCK NO.	Molex Part No.	Description	Price Each
538-63811-5200	63811-5200	Hand Crimp Tool, 22 - 28 AWG	

MOLEX Micro-Fit 3.0™ Connectors



SINGLE ROW CONNECTORS



- 250V AC rating
- UL 94V-0, CSA TUV approved

Specifications:

- 3.00mm Pitch
- Fully isolated contacts
- Full polarization
- Positive locks
- Surface Mount Compatible
- Up to 5.0A per circuit

For quantities greater than listed, call for quote.

MOUSER STOCK NO.	Molex Part No.	Fig.	No. of Circuits	Plating	Price Each		
					1	10	100
Crimp Housing Receptacles - Use With 43030 Terminals							
538-43645-0200	43645-0200	A	2	-			
538-43645-0300	43645-0300	A	3	-			
538-43645-0400	43645-0400	A	4	-			
538-43645-0500	43645-0500	A	5	-			
538-43645-0600	43645-0600	A	6	-			
538-43645-0700	43645-0700	A	7	-			
538-43645-0800	43645-0800	A	8	-			
538-43645-0900	43645-0900	A	9	-			
538-43645-1000	43645-1000	A	10	-			
538-43645-1100	43645-1100	A	11	-			
538-43645-1200	43645-1200	A	12	-			
Crimp Housing Plugs - Free Hanging - Use With 43031 Terminals							
538-43640-0201	43640-0201	B	2	-			
538-43640-0301	43640-0301	B	3	-			
538-43640-0401	43640-0401	B	4	-			
538-43640-0501	43640-0501	B	5	-			
538-43640-0601	43640-0601	B	6	-			
538-43640-0701	43640-0701	B	7	-			
538-43640-0801	43640-0801	B	8	-			
538-43640-0901	43640-0901	B	9	-			
538-43640-1001	43640-1001	B	10	-			
538-43640-1101	43640-1101	B	11	-			
538-43640-1201	43640-1201	B	12	-			
Crimp Housing Plugs - Panel Mount - Use With 43031 Terminals							
538-43640-0200	43640-0200	C	2	-			
538-43640-0300	43640-0300	C	3	-			
538-43640-0400	43640-0400	C	4	-			
538-43640-0500	43640-0500	C	5	-			
538-43640-0600	43640-0600	C	6	-			
Right Angle Headers - Snap-in-Peg Locks							
538-43650-0200	43650-0200	D	2	Tin			
538-43650-0300	43650-0300	D	3	Tin			
538-43650-0400	43650-0400	D	4	Tin			
538-43650-0500	43650-0500	D	5	Tin			
538-43650-0600	43650-0600	D	6	Tin			
538-43650-0700	43650-0700	D	7	Tin			
538-43650-0800	43650-0800	D	8	Tin			
538-43650-0900	43650-0900	D	9	Tin			
538-43650-0201	43650-0201	D	2	15µ" Gold			
538-43650-0301	43650-0301	D	3	15µ" Gold			
538-43650-0401	43650-0401	D	4	15µ" Gold			
538-43650-0501	43650-0501	D	5	15µ" Gold			
538-43650-0601	43650-0601	D	6	15µ" Gold			
538-43650-0701	43650-0701	D	7	15µ" Gold			
538-43650-0801	43650-0801	D	8	15µ" Gold			
538-43650-1001	43650-1001	D	10	15µ" Gold			
538-43650-1201	43650-1201	D	12	15µ" Gold			
Right Angle Headers - Solderable Retention Clip							
538-43650-0203	43650-0203	E	2	Tin			
538-43650-0303	43650-0303	E	3	Tin			
538-43650-0403	43650-0403	E	4	Tin			
538-43650-0503	43650-0503	E	5	Tin			
538-43650-0603	43650-0603	E	6	Tin			
Right Angle Headers - SMT - Solderable Retention Clip							
538-43650-0209	43650-0209	F	2	Tin			
538-43650-0309	43650-0309	F	3	Tin			
538-43650-0409	43650-0409	F	4	Tin			
538-43650-0509	43650-0509	F	5	Tin			
538-43650-0609	43650-0609	F	6	Tin			
538-43650-0210	43650-0210	F	2	15µ" Gold			
538-43650-0310	43650-0310	F	3	15µ" Gold			
538-43650-0410	43650-0410	F	4	15µ" Gold			
538-43650-0510	43650-0510	F	5	15µ" Gold			
538-43650-0610	43650-0610	F	6	15µ" Gold			

For quantities greater than listed, call for quote.

MOUSER STOCK NO.	Molex Part No.	Fig.	No. of Circuits	Plating	Price Each		
					1	10	100
Right Angle Headers - SMT - Solder Tabs							
538-43650-0212	43650-0212	G	2	Tin			
538-43650-0312	43650-0312	G	3	Tin			
538-43650-0412	43650-0412	G	4	Tin			
538-43650-0512	43650-0512	G	5	Tin			
538-43650-0612	43650-0612	G	6	Tin			
538-43650-0712	43650-0712	G	7	Tin			
538-43650-0812	43650-0812	G	8	Tin			
538-43650-0912	43650-0912	G	9	Tin			
538-43650-1012	43650-1012	G	10	Tin			
538-43650-1112	43650-1112	G	11	Tin			
538-43650-0213	43650-0213	G	2	15µ" Gold			
538-43650-0313	43650-0313	G	3	15µ" Gold			
538-43650-0413	43650-0413	G	4	15µ" Gold			
538-43650-0513	43650-0513	G	5	15µ" Gold			
538-43650-0613	43650-0613	G	6	15µ" Gold			
Vertical Headers - PCB Pegs							
538-43650-0215	43650-0215	H	2	Tin			
538-43650-0315	43650-0315	H	3	Tin			
538-43650-0415	43650-0415	H	4	Tin			
538-43650-0515	43650-0515	H	5	Tin			
538-43650-0615	43650-0615	H	6	Tin			
538-43650-0715	43650-0715	H	7	Tin			
538-43650-0815	43650-0815	H	8	Tin			
538-43650-0915	43650-0915	H	9	Tin			
538-43650-1015	43650-1015	H	10	Tin			
538-43650-1115	43650-1115	H	11	Tin			
538-43650-1215	43650-1215	H	12	Tin			
538-43650-0216	43650-0216	H	2	15µ" Gold			
538-43650-0316	43650-0316	H	3	15µ" Gold			
538-43650-0416	43650-0416	H	4	15µ" Gold			
538-43650-0516	43650-0516	H	5	15µ" Gold			
538-43650-0616	43650-0616	H	6	15µ" Gold			
538-43650-0716	43650-0716	H	7	15µ" Gold			
538-43650-0816	43650-0816	H	8	15µ" Gold			
538-43650-0916	43650-0916	H	9	15µ" Gold			
538-43650-1016	43650-1016	H	10	15µ" Gold			
538-43650-1116	43650-1116	H	11	15µ" Gold			
538-43650-1216	43650-1216	H	12	15µ" Gold			

Terminals (For Single and Dual Row Connectors)

* Sold in 12,000 Piece Reels

For quantities greater than listed, call for quote.

MOUSER STOCK NO.	Molex Part No.	AWG	Plating	Price Each		
				1	10	100
Female Sockets						
538-43030-0007	43030-0007	20 - 24	Tin			
538-43030-0010	43030-0010	26 - 30	Tin			
538-43030-0008	43030-0008	20 - 24	15µ" Gold			
538-43030-0011	43030-0011	26 - 30	15µ" Gold			
538-43030-0009	43030-0009	20 - 24	30µ" Gold			
538-43030-0012	43030-0012	26 - 30	30µ" Gold			
Female Sockets - Low Force						
* 538-46235-0001	46235-0001	20-24	15µ" Gold		-	-
* 538-46235-0002	46235-0002	20-24	30µ" Gold		-	-
* 538-46235-0004	46235-0004	26-30	30µ" Gold		-	-
Male Pins						
538-43031-0007	43031-0007	20 - 24	Tin			
538-43031-0010	43031-0010	26 - 30	Tin			
538-43031-0008	43031-0008	20 - 24	15µ" Gold			
538-43031-0011	43031-0011	26 - 30	15µ" Gold			
538-43031-0009	43031-0009	20 - 24	30µ" Gold			
538-43031-0012	43031-0012	26 - 30	30µ" Gold			

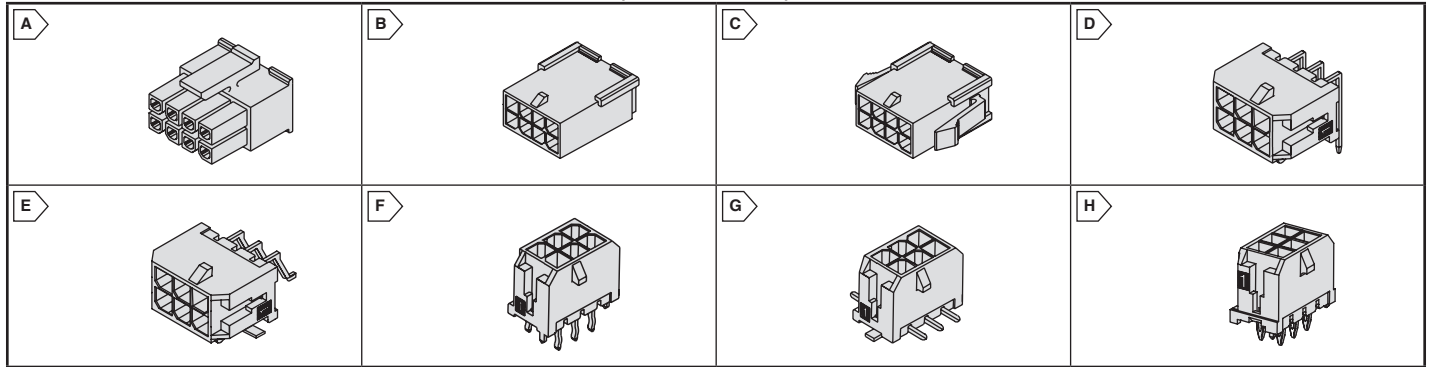
Tools (For Single and Dual Row Connectors)

For quantities greater than listed, call for quote.

MOUSER STOCK NO.	Molex Part No.	Description	Price Each
538-63819-0000	63819-0000	Hand Crimp Tool	
538-63811-1000	63811-1000	Universal Crimp Tool	
538-11-03-0043	11-03-0043	Extraction Tool	

MOLEX Micro-Fit 3.0™ Connectors

RoHS Compliant This product is RoHS compliant.



DUAL ROW CONNECTORS



Specifications:

- 3.00mm Pitch
- Fully isolated contacts
- Full polarization
- Positive locks
- Surface Mount Compatible
- Up to 5.0A per circuit
- 250V AC rating
- UL 94V-0, CSA TUV approved

For quantities greater than listed, call for quote.

MOUSER STOCK NO.	Molex Part No.	Fig.	No. of Circuits	Plating	Price Each		
					1	10	100
Crimp Housing Receptacles - Use With 43030 Terminals							
538-43025-0200	43025-0200	A	2	-			
538-43025-0400	43025-0400	A	4	-			
538-43025-0600	43025-0600	A	6	-			
538-43025-0800	43025-0800	A	8	-			
538-43025-1000	43025-1000	A	10	-			
538-43025-1200	43025-1200	A	12	-			
538-43025-1400	43025-1400	A	14	-			
538-43025-1600	43025-1600	A	16	-			
538-43025-1800	43025-1800	A	18	-			
538-43025-2000	43025-2000	A	20	-			
538-43025-2200	43025-2200	A	22	-			
538-43025-2400	43025-2400	A	24	-			
Crimp Housing Plugs - Free Hanging - Use With 43031 Terminals							
538-43020-0201	43020-0201	B	2	-			
538-43020-0401	43020-0401	B	4	-			
538-43020-0601	43020-0601	B	6	-			
538-43020-0801	43020-0801	B	8	-			
538-43020-1001	43020-1001	B	10	-			
538-43020-1201	43020-1201	B	12	-			
538-43020-1401	43020-1401	B	14	-			
538-43020-1601	43020-1601	B	16	-			
538-43020-1801	43020-1801	B	18	-			
538-43020-2001	43020-2001	B	20	-			
538-43020-2201	43020-2201	B	22	-			
538-43020-2401	43020-2401	B	24	-			
Crimp Housing Plugs - Panel Mount - Use With 43031 Terminals							
538-430200200	43020-0200	C	2	-			
538-43020-0400	43020-0400	C	4	-			
538-43020-0600	43020-0600	C	6	-			
538-43020-0800	43020-0800	C	8	-			
538-43020-1000	43020-1000	C	10	-			
538-43020-1200	43020-1200	C	12	-			
538-43020-1400	43020-1400	C	14	-			
538-43020-1600	43020-1600	C	16	-			
538-43020-1800	43020-1800	C	18	-			
538-43020-2000	43020-2000	C	20	-			
538-43020-2200	43020-2200	C	22	-			
538-43020-2400	43020-2400	C	24	-			
Right Angle Headers - Snap-in-Peg Locks							
538-43045-0200	43045-0200	D	2	Tin			
538-43045-0400	43045-0400	D	4	Tin			
538-43045-0600	43045-0600	D	6	Tin			
538-43045-0800	43045-0800	D	8	Tin			
538-43045-1000	43045-1000	D	10	Tin			
538-43045-1200	43045-1200	D	12	Tin			
538-43045-1400	43045-1400	D	14	Tin			
538-43045-1600	43045-1600	D	16	Tin			
538-43045-1800	43045-1800	D	18	Tin			
538-43045-2000	43045-2000	D	20	Tin			
538-43045-2200	43045-2200	D	22	Tin			
538-43045-2400	43045-2400	D	24	Tin			
538-43045-0202	43045-0202	D	2	30µ" Gold			
538-43045-0402	43045-0402	D	4	30µ" Gold			
538-43045-0602	43045-0602	D	6	30µ" Gold			
538-43045-0802	43045-0802	D	8	30µ" Gold			
538-43045-1002	43045-1002	D	10	30µ" Gold			
538-43045-1202	43045-1202	D	12	30µ" Gold			
538-43045-1402	43045-1402	D	14	30µ" Gold			
538-43045-1602	43045-1602	D	16	30µ" Gold			
538-43045-1802	43045-1802	D	18	30µ" Gold			
538-43045-2002	43045-2002	D	20	30µ" Gold			
538-43045-2202	43045-2202	D	22	30µ" Gold			
538-43045-2402	43045-2402	D	24	30µ" Gold			

For quantities greater than listed, call for quote.

MOUSER STOCK NO.	Molex Part No.	Fig.	No. of Circuits	Plating	Price Each		
					1	10	100
Right Angle Headers - SMT - Solder Tabs							
538-43045-0209	43045-0209	E	2	Tin			
538-43045-0409	43045-0409	E	4	Tin			
538-43045-0609	43045-0609	E	6	Tin			
538-43045-0809	43045-0809	E	8	Tin			
538-43045-1009	43045-1009	E	10	Tin			
538-43045-1209	43045-1209	E	12	Tin			
538-43045-0211	43045-0211	E	2	30µ" Gold			
538-43045-0411	43045-0411	E	4	30µ" Gold			
538-43045-0611	43045-0611	E	6	30µ" Gold			
538-43045-0811	43045-0811	E	8	30µ" Gold			
538-43045-1011	43045-1011	E	10	30µ" Gold			
538-43045-1211	43045-1211	E	12	30µ" Gold			
Vertical Headers - Thru-hole - Offset Terminal Retention							
538-430-45-0212	43045-0212	F	2	Tin			
538-43045-0412	43045-0412	F	4	Tin			
538-43045-0612	43045-0612	F	6	Tin			
538-43045-0812	43045-0812	F	8	Tin			
538-43045-1012	43045-1012	F	10	Tin			
538-43045-1212	43045-1212	F	12	Tin			
538-43045-1412	43045-1412	F	14	Tin			
538-43045-1612	43045-1612	F	16	Tin			
538-43045-1812	43045-1812	F	18	Tin			
538-43045-2012	43045-2012	F	20	Tin			
538-43045-2212	43045-2212	F	22	Tin			
538-43045-2412	43045-2412	F	24	Tin			
538-43045-0214	43045-0214	F	2	30µ" Gold			
538-43045-0414	43045-0414	F	4	30µ" Gold			
538-43045-0614	43045-0614	F	6	30µ" Gold			
538-43045-0814	43045-0814	F	8	30µ" Gold			
538-43045-1014	43045-1014	F	10	30µ" Gold			
538-43045-1214	43045-1214	F	12	30µ" Gold			
538-43045-1414	43045-1414	F	14	30µ" Gold			
538-43045-1614	43045-1614	F	16	30µ" Gold			
538-43045-1814	43045-1814	F	18	30µ" Gold			
538-43045-2014	43045-2014	F	20	30µ" Gold			
538-43045-2214	43045-2214	F	22	30µ" Gold			
538-43045-2414	43045-2414	F	24	30µ" Gold			
Vertical Headers - SMT - Solder Tabs							
538-43045-0218	43045-0218	G	2	Tin			
538-430-45-0418	43045-0418	G	4	Tin			
538-430-45-0618	43045-0618	G	6	Tin			
538-430-45-0818	43045-0818	G	8	Tin			
538-43045-1018	43045-1018	G	10	Tin			
538-430-45-1218	43045-1218	G	12	Tin			
538-43045-0220	43045-0220	G	2	30µ" Gold			
538-43045-0420	43045-0420	G	4	30µ" Gold			
538-43045-0620	43045-0620	G	6	30µ" Gold			
538-43045-0820	43045-0820	G	8	30µ" Gold			
538-43045-1020	43045-1020	G	10	30µ" Gold			
538-43045-1220	43045-1220	G	12	30µ" Gold			

MICRO-FIT CPI™ (COMPLIANT PIN INTERFACE)

For quantities greater than listed, call for quote.

MOUSER STOCK NO.	Molex Part No.	Fig.	No. of Circuits	Plating	Price Each		
					1	10	100
Vertical Headers - Press-Fit - Solderless							
538-44914-0201	44914-0201	H	2	Tin			
538-44914-0401	44914-0401	H	4	Tin			
538-44914-0601	44914-0601	H	6	Tin			
538-44914-0801	44914-0801	H	8	Tin			
538-44914-1001	44914-1001	H	10	Tin			
538-44914-1201	44914-1201	H	12	Tin			

MOLEX Mini-Fit™ Connectors



REHS Compliant This product is RoHS compliant.

GLOW WIRE CAPABLE MINI-FIT JR.™ CONNECTORS

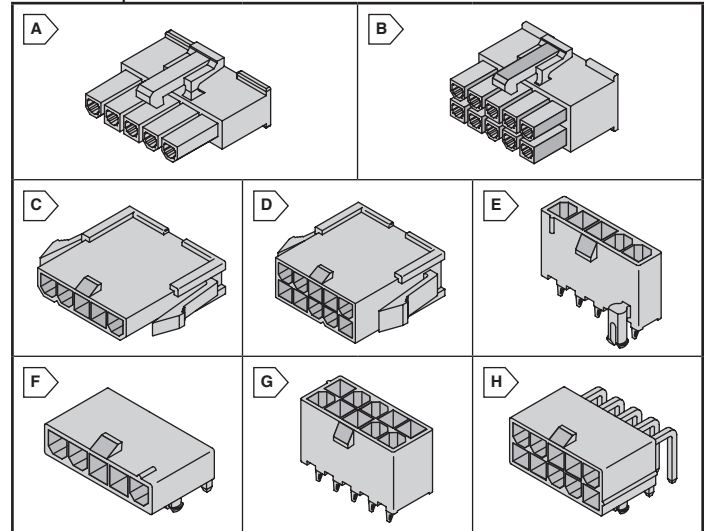
Specifications:

- Glow Wire Ignition Test (GWIT) of at least 775°C
- Glow Wire Flammability Index (GWFI) of at least 850°C
- Requires tests to be conducted on three material plaques in an identical manner and location
- Reduces time and expense associated with end product testing on molded parts

Receptacles

For quantities greater than listed, call for quote.

MOUSER STOCK NO.	Molex Part No.	Fig.	No. of Circuits	UL Rating	Price Each		
					1	10	100
Single Row							
538-50-29-1662	50-29-1662	A	3	94V-0			
538-50-36-1746	50-36-1746	A	4	94V-0			
Dual Row							
538-50-36-1673	50-36-1673	B	2	94V-0			
538-50-36-1672	50-36-1672	B	6	94V-0			
538-50-36-1713	50-36-1713	B	8	94V-0			
538-50-36-1671	50-36-1671	B	10	94V-0			
538-50-36-1674	50-36-1674	B	12	94V-0			
538-50-36-2293	50-36-2293	B	14	94V-0			
538-50-36-1669	50-36-1669	B	16	94V-0			
538-50-36-1668	50-36-1668	B	18	94V-0			
538-26-01-3167	26-01-3167	B	22	94V-0			
538-50-36-1667	50-36-1667	B	24	94V-0			



Plugs

For quantities greater than listed, call for quote.

MOUSER STOCK NO.	Molex Part No.	Fig.	No. of Circuits	UL Rating	Price Each		
					1	10	100
Single Row - With Panel Mount Ears							
538-50-36-1893	50-36-1893	C	3	94V-0			
Single Row - Without Panel Mount Ears							
538-50-29-1663	50-29-1663	C	3	94V-0			
538-26-01-3093	26-01-3093	C	4	94V-0			
Dual Row - With Panel Mount Ears							
538-50-36-1734	50-36-1734	D	2	94V-0			
538-50-36-1735	50-36-1735	D	4	94V-0			
538-50-36-1736	50-36-1736	D	6	94V-0			
538-50-36-1716	50-36-1716	D	8	94V-0			
538-50-36-1739	50-36-1739	D	10	94V-0			
538-50-36-1869	50-36-1869	D	12	94V-0			
538-50-36-1876	50-36-1876	D	14	94V-0			
538-26-01-3187	26-01-3187	D	18	94V-0			
Dual Row - Without Panel Mount Ears							
538-50-36-1678	50-36-1678	D	2	94V-0			
538-50-36-1679	50-36-1679	D	4	94V-0			
538-50-36-1681	50-36-1681	D	5	94V-0			
538-50-36-1737	50-36-1737	D	8	94V-0			
538-50-36-1738	50-36-1738	D	10	94V-0			
538-26-01-3096	26-01-3096	D	12	94V-0			
538-50-36-1676	50-36-1676	D	16	94V-0			

PCB Headers

For quantities greater than listed, call for quote.

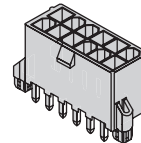
MOUSER STOCK NO.	Molex Part No.	Fig.	No. of Circuits	UL Rating	Price Each		
					1	10	100
Single Row - Vertical - Pegs							
538-50-36-1809	50-36-1809	E	3	94V-0			
Single Row - Right Angle - Pegs							
538-50-36-1769	50-36-1769	F	3	94V-0			
538-50-36-1779	50-36-1779	F	4	94V-0			
Dual Row - Vertical - Pegs							
538-50-36-1699	50-36-1699	G	2	94V-0			
538-50-36-1702	50-36-1702	G	4	94V-0			
538-50-36-1819	50-36-1819	G	5	94V-0			
538-50-36-1704	50-36-1704	G	6	94V-0			
538-50-36-1706	50-36-1706	G	8	94V-0			
538-50-36-1708	50-36-1708	G	10	94V-0			
538-50-36-1711	50-36-1711	G	12	94V-0			
Dual Row - Right Angle - Pegs							
538-50-36-2375	50-36-2375	H	2	94V-0			
538-50-36-2306	50-36-2306	H	4	94V-0			
538-50-36-1747	50-36-1747	H	5	94V-0			
538-50-36-2377	50-36-2377	H	6	94V-0			
538-50-36-1744	50-36-1744	H	8	94V-0			
538-50-36-2298	50-36-2298	H	14	94V-0			
Dual Row - Vertical - No Pegs							
538-50-36-1882	50-36-1882	G	2	94V-0			
538-50-36-1884	50-36-1884	G	4	94V-0			
538-50-36-1697	50-36-1697	G	6	94V-0			
538-50-36-1683	50-36-1683	G	8	94V-0			
538-50-36-1741	50-36-1741	G	10	94V-0			
538-50-36-1886	50-36-1886	G	12	94V-0			
538-50-36-1888	50-36-1888	G	14	94V-0			
538-50-36-1891	50-36-1891	G	16	94V-0			

MINI-FIT™ RTC VERTICAL HEADERS

Mini-Fit reflow temperature compatible (RTC) headers enjoy the same features as Mini-Fit JR™ plus are lead-free process compatible.

Specifications:

- Mates with Mini-Fit® receptacles
- 4.20mm pitch
- 12.0A max.
- Press-fit PCB pegs
- High-current Mini-Fit® plus HCS pins
- High Temp LCP housing



RoHS Compliant

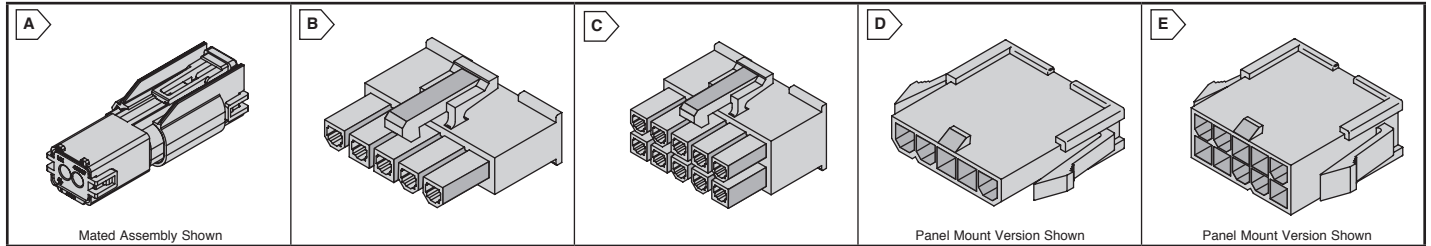
71436 Series, Dual Row

For quantities greater than listed, call for quote.

MOUSER STOCK NO.	Molex Part No.	No. of Circuits	UL Rating	PCB Thickness	Price Each		
					1	10	100
538-46207-0004	46207-0004	4	94V-0	1.57mm			
538-46207-0006	46207-0006	6	94V-0	1.57mm			
538-46207-0008	46207-0008	8	94V-0	1.57mm			
538-46207-0010	46207-0010	10	94V-0	1.57mm			
538-46207-0012	46207-0012	12	94V-0	1.57mm			
538-46207-0024	46207-0024	24	94V-0	1.57mm			
538-46207-0104	46207-0104	4	94V-0	2.36mm			
538-46207-0106	46207-0106	6	94V-0	2.36mm			
538-46207-0108	46207-0108	8	94V-0	2.36mm			
538-46207-0110	46207-0110	10	94V-0	2.36mm			
538-46207-0112	46207-0112	12	94V-0	2.36mm			
538-46207-0124	46207-0124	24	94V-0	2.36mm			
538-46207-0204	46207-0204	4	94V-0	3.18mm			
538-46207-0206	46207-0206	6	94V-0	3.18mm			
538-46207-0208	46207-0208	8	94V-0	3.18mm			
538-46207-0210	46207-0210	10	94V-0	3.18mm			
538-46207-0212	46207-0212	12	94V-0	3.18mm			
538-46207-0024	46207-0024	24	94V-0	3.18mm			

MOLEX Mini-Fit® H2O and Mini-Fit Jr™ Connectors molex®

one company a world of innovation



MINI-FIT® H2O SEALED CONNECTORS

Specifications:

- 4.20mm pitch
- IP67 rated
- interface and wire seals pre-installed
- 18-20AWG
- 9.0A per circuit max
- 600V max.



RoHS Compliant

For quantities greater than listed, call for quote.

MOUSER STOCK NO.	Molex Part No.	Fig.	Description	Price Each		
				1	10	100
Receptacle						
538-46064-0032	46064-0032	A	2 Ckt Receptacle			
Plug						
538-46065-0032	46065-0032	A	2 Ckt Plug			
Terminals						
538-46055-0007	46055-0007	-	Female, Tin			
538-46056-0004	46056-0004	-	Male, Tin			
Tool						
538-63819-1800	63819-1800	-	Hand Crimp			

MINI-FIT JR.™ CONNECTORS

Specifications:

- 4.20mm pitch
- 9.0A per circuit max
- 600V max.
- Fully isolated terminals



RoHS Compliant

For quantities greater than listed, call for quote.

MOUSER STOCK NO.	Molex Part No.	Fig.	No. of Circuits	UL Rating	Price Each		
					1	10	100
Single Row - 5557 Series							
538-39-01-4030	39-01-4030	B	3	94V-2			
538-39-01-4031	39-01-4031	B	3	94V-0			
538-39-01-4040	39-01-4040	B	4	94V-2			
538-39-01-4041	39-01-4041	B	4	94V-0			
538-39-01-4050	39-01-4050	B	5	94V-2			
538-39-01-4051	39-01-4051	B	5	94V-0			
Dual Row - 5557 Series							
538-39-01-2020	39-01-2020	C	2	94V-2			
538-39-01-2025	39-01-2025	C	2	94V-0			
538-39-01-2040	39-01-2040	C	4	94V-2			
538-39-01-2045	39-01-2045	C	4	94V-0			
538-39-01-2060	39-01-2060	C	6	94V-2			
538-39-01-2065	39-01-2065	C	6	94V-0			
538-39-01-2080	39-01-2080	C	8	94V-2			
538-39-01-2085	39-01-2085	C	8	94V-0			
538-39-01-2100	39-01-2100	C	10	94V-2			
538-39-01-2105	39-01-2105	C	10	94V-0			
538-39-01-2120	39-01-2120	C	12	94V-2			
538-39-01-2125	39-01-2125	C	12	94V-0			
538-39-01-2140	39-01-2140	C	14	94V-2			
538-39-01-2145	39-01-2145	C	14	94V-0			
538-39-01-2160	39-01-2160	C	16	94V-2			
538-39-01-2165	39-01-2165	C	16	94V-0			
538-39-01-2180	39-01-2180	C	18	94V-2			
538-39-01-2185	39-01-2185	C	18	94V-0			
538-39-01-2200	39-01-2200	C	20	94V-2			
538-39-01-2205	39-01-2205	C	20	94V-0			
538-39-01-2220	39-01-2220	C	22	94V-2			
538-39-01-2225	39-01-2225	C	22	94V-0			
538-39-01-2240	39-01-2240	C	24	94V-2			
538-39-01-2245	39-01-2245	C	24	94V-0			

Plugs

For quantities greater than listed, call for quote.

MOUSER STOCK NO.	Molex Part No.	Fig.	No. of Circuits	UL Rating	Price Each		
					1	10	100
Single Row - Panel Mount - 5559 Series							
538-39-01-4032	39-01-4032	D	3	94V-2			
538-39-01-4052	39-01-4052	D	5	94V-2			
538-39-01-4053	39-01-4053	D	5	94V-0			
Single Row - Free Hanging - 5559 Series							
538-39-01-4036	39-01-4036	D	3	94V-2			
538-39-01-4037	39-01-4037	D	3	94V-0			
538-39-01-4046	39-01-4046	D	4	94V-2			
538-39-01-4047	39-01-4047	D	4	94V-0			
538-39-01-4056	39-01-4056	D	5	94V-2			

Plugs (Cont.)

For quantities greater than listed, call for quote.

MOUSER STOCK NO.	Molex Part No.	Fig.	No. of Circuits	UL Rating	Price Each		
					1	10	100
Dual Row - Panel Mount - 5559 Series							
538-39-01-2021	39-01-2021	E	2	94V-2			
538-39-01-2026	39-01-2026	E	2	94V-0			
538-39-01-2041	39-01-2041	E	4	94V-2			
538-39-01-2046	39-01-2046	E	4	94V-0			
538-39-01-2061	39-01-2061	E	6	94V-2			
538-39-01-2066	39-01-2066	E	6	94V-0			
538-39-01-2081	39-01-2081	E	8	94V-2			
538-39-01-2086	39-01-2086	E	8	94V-0			
538-39-01-2101	39-01-2101	E	10	94V-2			
538-39-01-2106	39-01-2106	E	10	94V-0			
538-39-01-2121	39-01-2121	E	12	94V-2			
538-39-01-2126	39-01-2126	E	12	94V-0			
538-39-01-2141	39-01-2141	E	14	94V-2			
538-39-01-2146	39-01-2146	E	14	94V-0			
538-39-01-2161	39-01-2161	E	16	94V-2			
538-39-01-2166	39-01-2166	E	16	94V-0			
538-39-01-2181	39-01-2181	E	18	94V-2			
538-39-01-2201	39-01-2201	E	20	94V-2			
538-39-01-2221	39-01-2221	E	22	94V-2			
538-39-01-2241	39-01-2241	E	24	94V-2			
Dual Row - Free Hanging - 5559 Series							
538-39-01-3023	39-01-3023	E	2	94V-2			
538-39-01-3029	39-01-3029	E	2	94V-0			
538-39-01-3043	39-01-3043	E	4	94V-2			
538-39-01-3049	39-01-3049	E	4	94V-0			
538-39-01-3063	39-01-3063	E	6	94V-2			
538-39-01-3069	39-01-3069	E	6	94V-0			
538-39-01-3083	39-01-3083	E	8	94V-2			
538-39-01-3089	39-01-3089	E	8	94V-0			
538-39-01-3103	39-01-3103	E	10	94V-2			
538-39-01-3109	39-01-3109	E	10	94V-0			
538-39-01-3123	39-01-3123	E	12	94V-2			
538-39-01-3143	39-01-3143	E	14	94V-2			
538-39-01-3183	39-01-3183	E	18	94V-2			

Terminals

- Use with Series 5557, 5559 Receptacles and Plugs



For quantities greater than listed, call for quote.

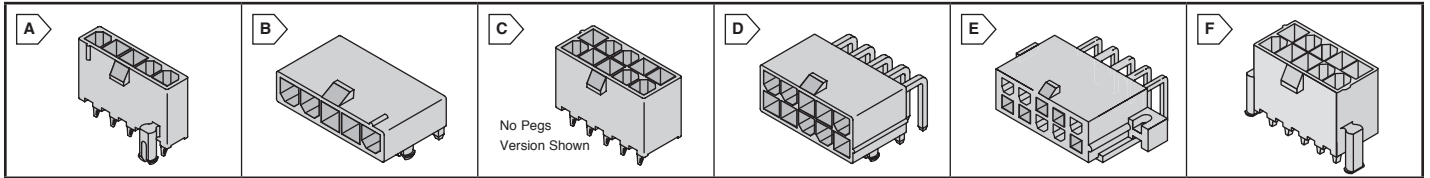
MOUSER STOCK NO.	Molex Part No.	Gender	Plating	AWG	Price Each	
					1	100
High Current - Up to 13A Max. (When Used With a Right Angle or Mini-Fit Plus Header 46015 Series) - 45750/46012 Series						
538-45750-3112	45750-3112	Female	Tin	16		
538-45750-1212	45750-1212	Female	Gold	18-24		
538-46012-3142	46012-3142	Male	Tin	16		
High Current - Up to 12A Max. - 44476/44478 Series						
538-44476-3112	44476-3112	Female	Tin	16		
538-44476-1112	44476-1112	Female	Tin	18-20		
538-44478-3112	44478-3112	Male	Tin	16		
538-44478-1112	44478-1112	Male	Tin	18-20		
5556/5558 Series						
538-39-00-0078	39-00-0078	Female	Tin	16		
538-39-00-0186	39-00-0186	Female	Gold	16		
538-39-00-0080	39-00-0080	Female	Tin	16		
538-39-00-0039	39-00-0039	Female	Tin	18-24		
538-39-00-0182	39-00-0182	Female	Gold	18-24		
538-39-00-0060	39-00-0060	Female	Tin	18-24		
538-39-00-0047	39-00-0047	Female	Tin	22-28		
538-39-00-0082	39-00-0082	Male	Tin	16		
538-39-00-0096	39-00-0096	Male	Gold	16		
538-39-00-0041	39-00-0041	Male	Tin	18-24		
538-39-00-0062	39-00-0062	Male	Tin	18-26		
538-39-00-0220	39-00-0220	Male	Gold	18-24		
538-39-00-0049	39-00-0049	Male	Tin	22-28		
Mini-Fit Plus HMC						
538-46018-1541	46018-1541	Female	Tin	18-20		
538-46018-2541	46018-2541	Female	Tin	22-24		
538-46018-3541	46018-3541	Female	Tin	16		

Tools

MOUSER STOCK NO.	Molex Part No.	Description	AWG	Price Each
538-63819-0900	63819-0900	Hand Crimp	16-24	
538-63819-1000	63819-1000	Hand Crimp	22-28	
538-11-03-0044	11-03-0044	Extraction	-	

MOLEX Mini-Fit Jr.™ and Mini-Fit® HCS Connectors **molex**

one company > a world of innovation



MINI-FIT JR.™ CONNECTORS

Specifications:

- 4.20mm pitch
- 9.0A per circuit max.
- 600V max.
- Fully isolated terminals

PCB Headers

For quantities greater than listed, call for quote.

MOUSER STOCK NO.	Molex Part No.	Fig.	No. of Circuits	UL Rating	Contact Plating	Price Each		
						1	10	100
Single Row - Vertical - Pegs - 5566 Series								
538-39-30-1039	39-30-1039	A	3	94V-2	Tin			
538-39-30-2030	39-30-2030	A	3	94V-0	Tin			
538-39-30-2031	39-30-2031	A	3	94V-2	Gold			
538-39-30-2040	39-30-2040	A	4	94V-0	Tin			
538-39-30-2050	39-30-2050	A	5	94V-0	Tin			
Single Row - Right Angle - Pegs - 5569 Series								
538-39-30-3035	39-30-3035	B	3	94V-2	Tin			
538-39-30-3036	39-30-3036	B	3	94V-0	Tin			
538-39-30-3038	39-30-3038	B	3	94V-0	Gold			
538-39-30-3045	39-30-3045	B	4	94V-2	Tin			
538-39-30-3047	39-30-3047	B	4	94V-2	Gold			
538-39-30-3055	39-30-3055	B	5	94V-2	Tin			
538-39-30-3056	39-30-3056	B	5	94V-0	Tin			
538-39-30-3058	39-30-3058	B	5	94V-2	Gold			
Dual Row - Vertical - Pegs - 5566 Series								
538-39-29-9023	39-29-9023	C	2	94V-2	Tin			
538-39-29-9027	39-29-9027	C	2	94V-0	Tin			
538-39-29-9025	39-29-9025	C	2	94V-2	Gold			
538-39-29-9043	39-29-9043	C	4	94V-2	Tin			
538-39-29-9047	39-29-9047	C	4	94V-0	Tin			
538-39-29-9049	39-29-9049	C	4	94V-0	Gold			
538-39-29-9063	39-29-9063	C	6	94V-2	Tin			
538-39-29-9067	39-29-9067	C	6	94V-0	Tin			
538-39-29-9083	39-29-9083	C	8	94V-2	Tin			
538-39-29-9087	39-29-9087	C	8	94V-0	Tin			
538-39-29-9089	39-29-9089	C	8	94V-0	Gold			
538-39-29-9103	39-29-9103	C	10	94V-2	Tin			
538-39-29-9107	39-29-9107	C	10	94V-0	Tin			
538-39-29-9123	39-29-9123	C	12	94V-2	Tin			
538-39-29-9127	39-29-9127	C	12	94V-0	Tin			
538-39-29-9143	39-29-9143	C	14	94V-2	Tin			
538-39-29-9147	39-29-9147	C	14	94V-0	Tin			
538-39-29-9163	39-29-9163	C	16	94V-2	Tin			
538-39-29-9183	39-29-9183	C	18	94V-2	Tin			
538-39-29-9203	39-29-9203	C	20	94V-2	Tin			
538-39-29-9207	39-29-9207	C	20	94V-0	Tin			
538-39-29-9243	39-29-9243	C	24	94V-2	Tin			
538-39-29-9247	39-29-9247	C	24	94V-0	Tin			
Dual Row - Vertical - No Pegs - 5566 Series								
538-39-28-1023	39-28-1023	C	2	94V-2	Tin			
538-39-28-8020	39-28-8020	C	2	94V-0	Tin			
538-39-29-0023	39-29-0023	C	2	94V-2	Gold			
538-39-28-1043	39-28-1043	C	4	94V-2	Tin			
538-39-28-8040	39-28-8040	C	4	94V-0	Tin			
538-39-29-0043	39-29-0043	C	4	94V-2	Gold			
538-39-28-1063	39-28-1063	C	6	94V-2	Tin			
538-39-28-8060	39-28-8060	C	6	94V-0	Tin			
538-39-29-0063	39-29-0063	C	6	94V-2	Gold			



RoHS Compliant

For quantities greater than listed, call for quote.

MOUSER STOCK NO.	Molex Part No.	Fig.	No. of Circuits	UL Rating	Contact Plating	Price Each		
						1	10	100
Dual Row - Vertical - No Pegs - 5566 Series (Cont.)								
538-39-28-1083	39-28-1083	C	8	94V-2	Tin			
538-39-28-8080	39-28-8080	C	8	94V-0	Tin			
538-39-28-1103	39-28-1103	C	10	94V-2	Tin			
538-39-29-0103	39-29-0103	C	10	94V-2	Gold			
538-39-28-1123	39-28-1123	C	12	94V-2	Tin			
538-39-28-8120	39-28-8120	C	12	94V-0	Tin			
538-39-28-1143	39-28-1143	C	14	94V-2	Tin			
538-39-28-1163	39-28-1163	C	16	94V-2	Tin			
538-39-28-1183	39-28-1183	C	18	94V-2	Tin			
538-39-28-1203	39-28-1203	C	20	94V-2	Tin			
538-39-28-8200	39-28-8200	C	20	94V-0	Tin			
538-39-28-1243	39-28-1243	C	24	94V-2	Tin			
Dual Row - Right Angle - Pegs - 5569 Series								
538-39-30-1020	39-30-1020	D	2	94V-2	Tin			
538-39-30-0020	39-30-0020	D	2	94V-0	Tin			
538-39-30-1040	39-30-1040	D	4	94V-2	Tin			
538-39-30-0040	39-30-0040	D	4	94V-0	Tin			
538-39-30-1060	39-30-1060	D	6	94V-2	Tin			
538-39-30-0060	39-30-0060	D	6	94V-0	Tin			
538-39-30-1080	39-30-1080	D	8	94V-2	Tin			
538-39-30-0080	39-30-0080	D	8	94V-0	Tin			
538-39-30-1082	39-30-1082	D	8	94V-2	Gold			
538-39-30-1100	39-30-1100	D	10	94V-2	Tin			
538-39-30-0100	39-30-0100	D	10	94V-0	Tin			
538-39-30-1120	39-30-1120	D	12	94V-2	Tin			
538-39-30-0120	39-30-0120	D	12	94V-0	Tin			
538-39-30-1121	39-30-1121	D	12	94V-0	Gold			
538-39-30-1140	39-30-1140	D	14	94V-2	Tin			
538-39-30-1142	39-30-1142	D	14	94V-0	Gold			
538-39-30-1160	39-30-1160	D	16	94V-2	Tin			
538-39-30-0160	39-30-0160	D	16	94V-0	Tin			
538-39-30-1162	39-30-1162	D	16	94V-0	Gold			
538-39-30-1180	39-30-1180	D	18	94V-2	Tin			
538-39-30-1200	39-30-1200	D	20	94V-2	Tin			
538-39-30-0200	39-30-0200	D	20	94V-0	Tin			
538-39-30-1240	39-30-1240	D	24	94V-2	Tin			
Dual Row - Right Angle - Flanges - 5569 Series								
538-39-29-1028	39-29-1028	E	2	94V-2	Tin			
538-39-29-1027	39-29-1027	E	2	94V-0	Tin			
538-39-29-1048	39-29-1048	E	4	94V-2	Tin			
538-39-29-1047	39-29-1047	E	4	94V-0	Tin			
538-39-29-1068	39-29-1068	E	6	94V-2	Tin			
538-39-29-1088	39-29-1088	E	8	94V-2	Tin			
538-39-29-1108	39-29-1108	E	10	94V-2	Tin			
538-39-29-1128	39-29-1128	E	12	94V-2	Tin			
538-39-29-1148	39-29-1148	E	14	94V-2	Tin			
538-39-29-1168	39-29-1168	E	16	94V-2	Tin			
538-39-29-1188	39-29-1188	E	18	94V-2	Tin			
538-39-29-1208	39-29-1208	E	20	94V-2	Tin			
538-39-29-1248	39-29-1248	E	24	94V-2	Tin			

MINI-FIT PLUS HCS™ CONNECTORS

4.20mm High Current Dual-Row Vertical Headers

Specifications:

- Voltage: 600V

For quantities greater than listed, call for quote.

MOUSER STOCK NO.	Molex Part No.	Fig.	No. of Circuits	UL Rating	Contact Plating	Price Each		
						1	100	250
Without Pegs								
538-46015-0202	46015-0202	F	2	V-0	Tin			
538-46015-0206	46015-0206	F	2	V-2	Tin			
538-46015-0402	46015-0402	F	4	V-0	Tin			
538-46015-0406	46015-0406	F	4	V-2	Tin			
538-46015-0602	46015-0602	F	6	V-0	Tin			
538-46015-0606	46015-0606	F	6	V-2	Tin			
538-46015-0802	46015-0802	F	8	V-0	Tin			
538-46015-0806	46015-0806	F	8	V-2	Tin			
538-46015-1006	46015-1006	F	10	V-0	Tin			
538-46015-1206	46015-1206	F	12	V-0	Tin			
538-46015-1202	46015-1202	F	12	V-2	Tin			
538-46015-1406	46015-1406	F	14	V-0	Tin			
538-46015-1606	46015-1606	F	16	V-0	Tin			
538-46015-1806	46015-1806	F	18	V-0	Tin			
538-46015-2006	46015-2006	F	20	V-0	Tin			
538-46015-2002	46015-2002	F	20	V-2	Tin			
538-46015-2406	46015-2406	F	24	V-0	Tin			

Wire Size (AWG)	Dual-Row Circuit Size (When Used With 45750 Series Terminal)				
	2	4,6	8,10,12	14,16,18	20,22,24
16	13.0A	12.0A	10.5A	10.0A	9.5A
18	11.0A	10.0A	8.0A	8.0A	8.0A
20	9.5A	8.0A	7.5A	7.0A	7.0A

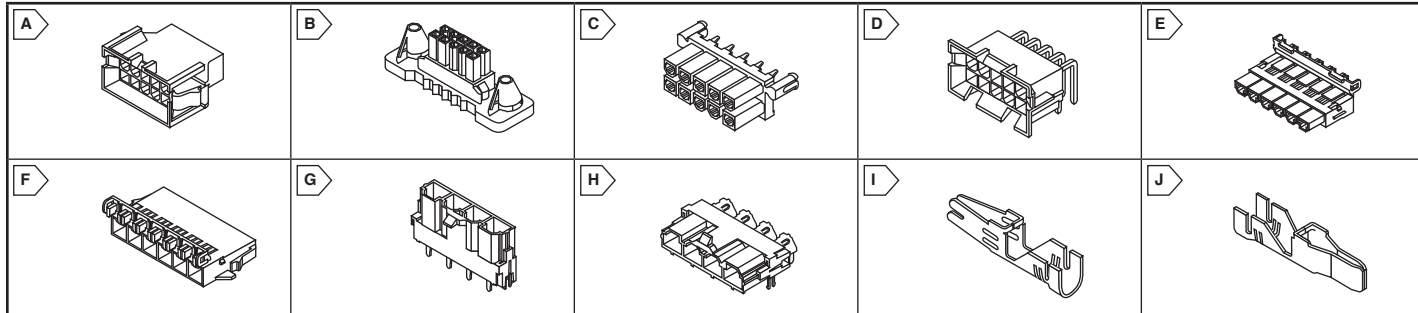
For quantities greater than listed, call for quote.

With Pegs								
MOUSER STOCK NO.	Molex Part No.	Fig.	No. of Circuits	UL Rating	Contact Plating	1	100	250
538-46015-0203	46015-0203	F	2	V-0	Tin			
538-46015-0207	46015-0207	F	2	V-2	Tin			
538-46015-0403	46015-0403	F	4	V-0	Tin			
538-46015-0407	46015-0407	F	4	V-2	Tin			
538-46015-0603	46015-0							

MOLEX Mini-Fit® BMI and Mini-Fit Sr.™ Connectors

one company > a world of innovation

RoHS Compliant This product is RoHS compliant.



MINI-FIT® BMI (BLIND MATING SYSTEM) CONNECTORS

Features:

- Fully isolated terminals to protect contacts from damage
- Uses standard Mini-Fit® series terminals on previous page
- Dual Row

Specifications:

- Housing: 6/6 Nylon
- 600V rating
- Temperature: -40°C to +105°C
- Pitch: 4.20mm (.165")



Plugs - Dual Row

- RoHS Compliant per Molex documentation

For quantities greater than listed, call for quote.

MOUSER STOCK NO.	Molex Part No.	Fig.	No. of Circuits	Price Each			
				1	10	100	500
With Panel Mount Ears, UL94V-2, 42475 Series							
538-15-06-0045	15-06-0045	A	4				
538-15-06-0065	15-06-0065	A	6				
538-15-06-0085	15-06-0085	A	8				
538-15-06-0105	15-06-0105	A	10				
538-15-06-0145	15-06-0145	A	14				
538-15-06-0185	15-06-0185	A	18				
538-15-06-0245	15-06-0245	A	24				

Receptacles - Dual Row

- RoHS Compliant per Molex documentation

MOUSER STOCK NO.	Molex Part No.	Fig.	No. of Circuits	Price Each			
				1	10	100	500
With Panel Mount Ears, UL94V-2, 42474 Series							
538-15-06-0040	15-06-0040	B	4				
538-15-06-0060	15-06-0060	B	6				
538-15-06-0080	15-06-0080	B	8				
538-15-06-0100	15-06-0100	B	10				
538-15-06-0140	15-06-0140	B	14				
538-15-06-0180	15-06-0180	B	18				
538-15-06-0240	15-06-0240	B	24				
538-43760-0001	43760-0001	B	36				
With Panel Mount Ears, UL94V-0, 42474 Series							
538-15-06-0041	15-06-0041	B	4				
538-15-06-0061	15-06-0061	B	6				
538-15-06-0101	15-06-0101	B	10				
538-15-06-0141	15-06-0141	B	14				
538-15-06-0181	15-06-0181	B	18				
538-15-06-0241	15-06-0241	B	24				

Terminals

For quantities greater than listed, call for quote.

MOUSER STOCK NO.	Molex Part No.	Fig.	AWG	Price Each			
				1	100	500	1000
538-39-00-0096	39-00-0096	---	16				
538-39-00-0062	39-00-0062	---	18-24				

PCB HEADERS

For quantities greater than listed, call for quote.

MOUSER STOCK NO.	Molex Part No.	Fig.	No. of Circuits	Contact Plating	Price Each			
					1	10	100	500
Receptacle Headers, Vertical, UL94V-2, 42385 Series								
538-15-24-7040	15-24-7040	C	4	Tin				
538-15-24-7060	15-24-7060	C	6	Tin				
538-15-24-7100	15-24-7100	C	10	Tin				
538-15-24-7140	15-24-7140	C	14	Tin				
538-15-24-7180	15-24-7180	C	18	Tin				
538-15-24-7240	15-24-7240	C	24	Tin				
Receptacle Headers, Vertical, UL94V-0, 42385 Series								
538-15-24-7061	15-24-7061	C	6	Tin				
538-15-24-7101	15-24-7101	C	10	Tin				
538-15-24-7141	15-24-7141	C	14	Tin				
538-15-24-7241	15-24-7241	C	24	Tin				
Right Angle Headers, UL94V-2, 42404 Series								
538-15-24-6040	15-24-6040	D	4	Tin				
538-15-24-6060	15-24-6060	D	6	Tin				
538-15-24-6140	15-24-6140	D	14	Tin				
538-15-24-6180	15-24-6180	D	18	Tin				
538-15-24-6240	15-24-6240	D	24	Tin				

PCB HEADERS (CONT.)

For quantities greater than listed, call for quote.

MOUSER STOCK NO.	Molex Part No.	Fig.	No. of Circuits	Contact Plating	Price Each			
					1	10	100	500
Right Angle Headers, UL94V-0, 42404 Series								
538-15-24-9064	15-24-9064	D	6	Tin				
538-15-24-9104	15-24-9104	D	10	Tin				
538-15-24-9144	15-24-9144	D	14	Tin				
538-15-24-9244	15-24-9244	D	24	Tin				

MINI-FIT, SR.™ CONNECTORS - 10.00MM (.393") PITCH

Features:

- High Current
- Positive Locks
- Low engagement force
- Wire-to-wire, wire-to-board

Specifications:

- Fully polarized
- Single Row
- Receptacles/Plugs: Polyester, UL94V-0
- Headers: Glass-filled, 4/6 Nylon, UL94V-0
- Plating: Tin over Nickel
- Contact: Copper Alloy
- Voltage: 600V
- Temperature: -40°C to +105°C

For quantities greater than listed, call for quote.

MOUSER STOCK NO.	Molex Part No.	Fig.	No. of Circuits	Price Each			
				1	10	100	500
Receptacles, 42816 Series							
538-42816-0212	42816-0212	E	2				
538-42816-0312	42816-0312	E	3				
538-42816-0412	42816-0412	E	4				
538-42816-0512	42816-0512	E	5				
538-42816-0612	42816-0612	E	6				
Plugs, 42818 Series							
538-42818-0212	42818-0212	F	2				
538-42818-0312	42818-0312	F	3				
538-42818-0412	42818-0412	F	4				
538-42818-0512	42818-0512	F	5				
538-42818-0612	42818-0612	F	6				
Vertical Header with Metal Clip Mount, SMT, 42819 Series							
538-42819-2212	42819-2212	G	2				
538-42819-3212	42819-3212	G	3				
538-42819-4212	42819-4212	G	4				
538-42819-5212	42819-5212	G	5				
538-42819-6212	42819-6212	G	6				
Right Angle Header with Metal Clip Mount, SMT, 42820 Series							
538-42820-2212	42820-2212	H	2				
538-42820-3212	42820-3212	H	3				
538-42820-4212	42820-4212	H	4				
538-42820-5212	42820-5212	H	5				
538-42820-6212	42820-6212	H	6				

MINI-FIT, SR.™ TERMINALS

- High Current
- Low Engagement Force
- Female: four points of electrical contact

For quantities greater than listed, call for quote.

MOUSER STOCK NO.	Molex Part No.	Fig.	Wire Size AWG	Price Each			
				1	100	500	1000
Female, 42815 Series - Tin							
538-42815-0011	42815-0011	I	10-12				
538-42815-0031	42815-0031	I	8				
538-42815-0041	42815-0041	I	14-16				
Female - Select Gold							
538-42815-0012	42815-0012	I	10-12				
538-42815-0042	42815-0042	I	14-16				
Male, 42817 Series - Tin							
538-42817-0011	42817-0011	J	10-12				
538-42817-0031	42817-0031	J	8				
538-42817-0041	42817-0041	J	14-16				
Male - Select Gold							
538-42817-0012	42817-0012	J	10-12				
538-42817-0042	42817-0042	J	14-16				

TOOLS FOR MINI-FIT, SR.™

MOUSER STOCK NO.	Molex Part No.	Description	Price Each
538-63811-1500	63811-1500	Hand Crimp Tool 8 AWG	
538-63811-1600	63811-1600	Hand Crimp Tool 10-12 AWG	
538-63813-0400	63813-0400	Extraction Tool	
538-63811-3800	63811-3800	Hand Crimp Tool	

MOLEX FPC 0.25mm and 0.30mm Connectors

 This product is RoHS compliant.

0.25MM FPC CONNECTORS

502078/503320 Series - Right Angle - SMT

Features and Specs:

- Smallest combined depth, height and length available
- ZIF contact design
- Easy-On Front Flip Actuator
- Current Max: 0.2A
- Contacts: Copper alloy
- Housing: Heat Resistant Plastic Biege UL 94V-0
- Actuator: Heat Resistant Plastic Black UL 94V-0

For quantities greater than listed, call for quote.

MOUSER STOCK NO.	Molex Part No.	Fig.	No. of Circuits	Contact Plating	Mated Height	Dimensions: mm		Price Each						
						A	B	1	10	100	250			
Bottom Contact														
538-502078-2110	502078-2110	A	21	Gold	1.0 mm (.039")	7.00	5.00							
538-502078-2510	502078-2510	A	25	Gold	1.0 mm (.039")	8.00	6.00							
538-502078-3910	502078-3910	A	39	Gold	1.0 mm (.039")	11.50	9.50							
538-503320-2560	503320-2560	A	25	Gold	1.65 mm (.065")	8.00	6.00							
538-503320-3760	503320-3760	A	37	Gold	1.65 mm (.065")	11.00	9.00							
538-503320-4160	503320-4160	A	41	Gold	1.65 mm (.065")	12.00	10.00							
Top Contact														
538-503300-2910	503300-2910	B	29	Gold	1.2 mm (.047")	9.00	7.50							

0.30MM FPC CONNECTORS

501912 Series - 1.80mm Mated Height - Right Angle - SMT - LIF-Bottom Contact Style

Features and Specs:

- Space under body of connector
- Easy-On Actuator
- Current Max: 0.2A
- Contacts: Copper alloy
- Housing: High Temperature Thermoplastic UL 94V-0
- Actuator: High Temperature Thermoplastic UL 94V-0

For quantities greater than listed, call for quote.

538-501912-1590	501912-1590	C	15	Gold	1.80mm (.071")	6.60	4.20				
538-501912-2190	501912-2190	C	21	Gold	1.80mm (.071")	8.40	6.00				
538-501912-2590	501912-2590	C	25	Gold	1.80mm (.071")	9.60	7.20				
538-501912-2790	501912-2790	C	27	Gold	1.80mm (.071")	10.20	7.80				
538-501912-3390	501912-3390	C	33	Gold	1.80mm (.071")	12.00	9.60				
538-501912-3790	501912-3790	C	37	Gold	1.80mm (.071")	13.20	10.80				
538-501912-3990	501912-3990	C	39	Gold	1.80mm (.071")	13.80	11.40				
538-501912-4190	501912-4190	C	41	Gold	1.80mm (.071")	14.40	12.00				
538-501912-4590	501912-4590	C	45	Gold	1.80mm (.071")	15.60	13.20				

54809 Series - 1.30mm Mated Height - Right Angle - SMT - ZIF - Bottom Contact Style

Features and Specs:

- Ultra Low Profile
- Staggered dual-row PCB layout
- Current Max: 0.3A
- Contacts: Phosphor Bronze
- Easy-On Actuator
- Housing: LCP UL 94V-0
- Actuator: PPS UL 94V-0

For quantities greater than listed, call for quote.

538-54809-1198	54809-1198	D	11	Tin	1.30mm (.051")	5.60	3.00				
538-54809-1998	54809-1998	D	19	Tin	1.30mm (.051")	8.00	5.40				
538-54809-3398	54809-3398	D	33	Tin	1.30mm (.051")	12.20	9.60				
538-54809-3998	54809-3998	D	39	Tin	1.30mm (.051")	14.00	11.40				
538-54809-5198	54809-5198	D	51	Tin	1.30mm (.051")	17.60	15.00				
538-54809-1175	54809-1175	D	11	Gold	1.30mm (.051")	5.60	3.00				
538-54809-1575	54809-1575	D	15	Gold	1.30mm (.051")	6.80	4.20				
538-54809-2175	54809-2175	D	21	Gold	1.30mm (.051")	8.60	6.00				
538-54809-2575	54809-2575	D	25	Gold	1.30mm (.051")	9.80	7.20				
538-54809-3175	54809-3175	D	31	Gold	1.30mm (.051")	11.60	9.00				
538-54809-3975	54809-3975	D	39	Gold	1.30mm (.051")	14.00	11.40				

501616 Series - 1.10mm Mated Height - Right Angle - SMT - LIF - Top Contact Style

Features and Specs:

- Ultra Low Profile
- Easy-On Actuator
- Current Max: 0.2A
- Contacts: Copper alloy
- Housing: Heat Resistant Polymer Black UL 94V-0
- Actuator: Heat Resistant Polymer Gray UL 94V-0

For quantities greater than listed, call for quote.

538-501616-1975	501616-1975	E	19	Gold	1.10mm (.043")	7.60	5.40				
538-501616-2575	501616-2575	E	25	Gold	1.10mm (.043")	9.40	7.20				
538-501616-2775	501616-2775	E	27	Gold	1.10mm (.043")	10.00	7.80				
538-501616-2975	501616-2975	E	29	Gold	1.10mm (.043")	10.60	8.40				
538-501616-3585	501616-3585	E	35	Gold	1.10mm (.043")	12.40	10.20				
538-501616-4585	501616-4585	E	45	Gold	1.10mm (.043")	15.40	13.20				

500797 Series - 1.05mm Mated Height - Right Angle - SMT - ZIF - Bottom Contact Style

Features and Specs:

- Ultra Low Profile and Short Width
- Audible Click
- Easy-On Actuator
- Voltage Max: 50V
- Current Max: 0.2A
- Contacts: Copper alloy
- Housing: Beige glass-filled LCP UL 94V-0
- Actuator: Glass-filled Polyamide UL 94V-0
- Operating Temperature: -20°C to +85°C

For quantities greater than listed, call for quote.

538-500797-1594	500797-1594	F	15	Gold	1.05mm (.041")	6.60	4.20				
538-500797-2594	500797-2594	F	25	Gold	1.05mm (.041")	9.60	7.20				
538-500797-2794	500797-2794	F	27	Gold	1.05mm (.041")	10.20	7.80				
538-500797-3194	500797-3194	F	31	Gold	1.05mm (.041")	11.40	9.00				
538-500797-3594	500797-3594	F	35	Gold	1.05mm (.041")	12.60	10.20				
538-500797-4194	500797-4194	F	41	Gold	1.05mm (.041")	14.40	12.00				

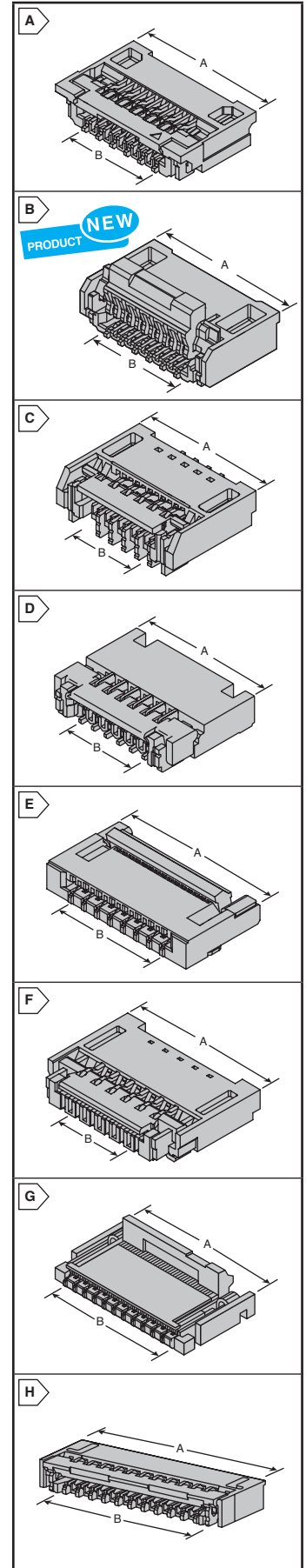
502250 and 501628 Series - 0.9mm Mated Height

Features and Specs:

- Easy-On Actuator
- Voltage Max: 50V
- Current Max: 0.2A
- Contacts: Copper alloy
- Housing: Glass-filled LCP UL 94V-0
- Actuator: 502250 Series: PPS UL 94V-0

For quantities greater than listed, call for quote.

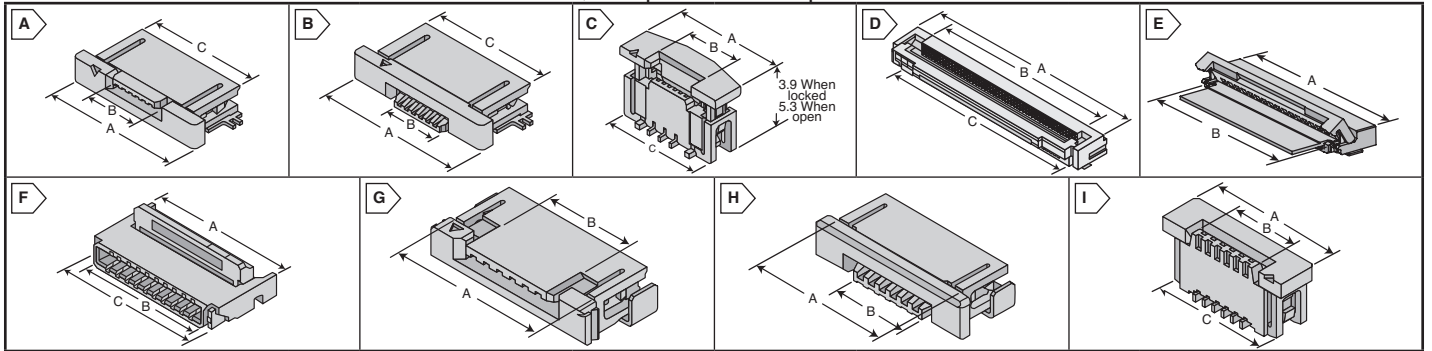
Dual Contact - Back Flip Actuator											
538-502250-2191	502250-2191	G	21	Gold	0.9mm (.035")	8.10	6.00				
538-502250-3391	502250-3391	G	33	Gold	0.9mm (.035")	11.70	9.60				
538-502250-3991	502250-3991	G	39	Gold	0.9mm (.035")	13.50	11.40				
538-502250-4191	502250-4191	G	41	Gold	0.9mm (.035")	14.10	12.00				
Bottom Contact - Narrow Width - Front Flip Actuator											
538-501628-2791	501628-2791	H	27	Gold	0.9mm (.035")	10.20	7.80				
538-501628-3391	501628-3391	H	33	Gold	0.9mm (.035")	12.00	9.60				
538-501628-3591	501628-3591	H	35	Gold	0.9mm (.035")	12.60	10.20				
538-501628-4591	501628-4591	H	45	Gold	0.9mm (.035")	15.60	13.20				



Molex Rectangular Connectors

MOLEX FFC/FPC Connectors

RoHS Compliant This product is RoHS compliant.



0.50MM (.020") PITCH FFC/FPC CONNECTORS

Specifications:

- Voltage: 50V
- Current: 0.5A
- Housing: 4/6 Nylon, UL 94V-0
- Actuator: PPS, UL 94V-0
- Contact: Phosphor Bronze
- Contact Plating: Gold
- Operating Temperature: -20°C to +85°C

Right Angle, SMT, ZIF - Top Contact Style For quantities greater than listed, call for quote.

MOUSER STOCK NO.	Molex Part No.	Fig.	No. of Circuits	Dimensions: in.			Price Each			
				A	B	C	1	10	100	250
538-52745-0697	52745-0697	A	6	.358	.144	.287				
538-52745-0897	52745-0897	A	8	.398	.183	.327				
538-52745-1097	52745-1097	A	10	.437	.222	.366				
538-52745-1297	52745-1297	A	12	.476	.262	.406				
538-52745-1497	52745-1497	A	14	.516	.301	.445				
538-52745-1697	52745-1697	A	16	.555	.341	.484				
538-52745-1897	52745-1897	A	18	.594	.380	.524				
538-52745-2097	52745-2097	A	20	.634	.419	.563				
538-52435-2271	52435-2271	A	22	.693	.459	.614				
538-52435-2471	52435-2471	A	24	.732	.498	.654				
538-52435-2871	52435-2871	A	28	.811	.577	.732				
538-52435-3071	52435-3071	A	30	.850	.616	.772				

Right Angle, SMT, ZIF - Bottom Contact Style

MOUSER STOCK NO.	Molex Part No.	Fig.	No. of Circuits	Dimensions: in.			Price Each			
				A	B	C	1	10	100	250
538-52746-0871	52746-0871	B	8	.398	.138	.327				
538-52746-1071	52746-1071	B	10	.437	.177	.366				
538-52746-1471	52746-1471	B	14	.516	.256	.445				
538-52746-1671	52746-1671	B	16	.555	.295	.484				
538-52746-2071	52746-2071	B	20	.634	.374	.563				
538-52437-2271	52437-2271	B	22	.693	.413	.614				
538-52437-2471	52437-2471	B	24	.732	.453	.653				
538-52437-2871	52437-2871	B	28	.811	.531	.732				
538-52437-3071	52437-3071	B	30	.850	.571	.772				

Vertical, SMT, ZIF

MOUSER STOCK NO.	Molex Part No.	Fig.	No. of Circuits	Dimensions: in.			Price Each			
				A	B	C	1	10	100	250
538-52559-0853	52559-0853	C	8	.382	.138	.350				
538-52559-1052	52559-1052	C	10	.421	.177	.390				
538-52559-1853	52559-1853	C	18	.579	.335	.547				
538-52559-2052	52559-2052	C	20	.618	.374	.587				
538-52559-2452	52559-2452	C	24	.697	.453	.665				
538-52559-2852	52559-2852	C	28	.776	.531	.744				
538-52559-4052	52559-4052	C	40	1.012	.768	.980				

0.50MM DOUBLE BOTTOM CONTACT FPC CONNECTORS

Specifications:

- ZIF Double Bottom Contact
- Easy-On actuator
- 2.50mm Height
- Contact Plating: Gold

MOUSER STOCK NO.	Molex Part No.	Fig.	No. of Circuits	Dimensions: in.			Price Each			
				A	B	C	1	10	100	250
538-502790-3091	502790-3091	D	30	19.7	14.5	18.1				
538-502790-4091	502790-4091	D	40	24.7	19.5	23.1				
538-502790-6491	502790-6491	D	64	36.7	31.5	35.1				
538-502790-8091	502790-8091	D	80	44.7	39.5	43.1				

LOW PROFILE FFC CONNECTORS

Specifications:

- Housing: LCP Liquid Crystal Polymer
- Mated Height: 1.20mm (.047")
- Mated Width: 3.40mm (.134")
- Features:
 - Pre-hold cable feature keeps FFC in place while actuator is being closed
 - Sturdy actuator allows for easy cable insertion
 - Metal solder tabs provide PCB hold-down and strain relief for SMT tails

Right Angle, SMT, ZIF - Top Contact Style For quantities greater than listed, call for quote.

MOUSER STOCK NO.	Molex Part No.	Fig.	No. of Circuits	Dimensions: in.			Price Each			
				A	B	C	1	10	100	250
538-54550-0694	54550-0694	A	6	.323	.098	.276				
538-54550-0894	54550-0894	A	8	.362	.138	.315				
538-54550-1294	54550-1294	A	12	.441	.217	.394				
538-54550-1894	54550-1894	A	18	.559	.335	.412				
538-54550-2094	54550-2094	A	20	.598	.374	.551				
538-54550-2494	54550-2494	A	24	.677	.453	.630				

Right Angle, SMT, ZIF - Bottom Contact Style

MOUSER STOCK NO.	Molex Part No.	Fig.	No. of Circuits	Dimensions: in.			Price Each			
				A	B	C	1	10	100	250
538-54548-0670	54548-0670	B	6	.323	.098	.276				
538-54548-1270	54548-1270	B	12	.441	.217	.394				
538-54548-1470	54548-1470	B	14	.480	.256	.433				
538-54548-2070	54548-2070	B	20	.598	.374	.551				

EASY-ON™ FRONT-FLIP™ FPC CONNECTORS

Specifications:

- Current: 0.5A
- Voltage: 50V
- Contact Resistance: 40 milliohms
- Withstanding Voltage: 150V AC
- Insulation Resistance: 50 Megohms
- Durability: 20 cycles

0.5mm Bottom Contact, Right Angle, SMT For quantities greater than listed, call for quote.

MOUSER STOCK NO.	Molex Part No.	Fig.	No. of Circuits	Dimensions: in.			Price Each			
				A	B	C	1	10	100	250
538-503366-6011	503366-6011	E	60	34.1	29.5	-				
538-503366-8011	503366-8011	E	80	44.1	39.5	-				

EASY-ON™ BACK-FLIP™ FPC CONNECTORS

Specifications:

- Current: 0.5A
- Voltage: 50V
- Contact Resistance: 100 milliohms max.
- Withstanding Voltage: 200V AC
- Insulation Resistance: 50 Megohms max.
- Durability: 10 cycles
- Temperature: -40°C to +85°C

0.3mm Dual Contact, Right Angle SMT For quantities greater than listed, call for quote.

MOUSER STOCK NO.	Molex Part No.	Fig.	No. of Circuits	Dimensions: in.			Price Each			
				A	B	C	1	10	100	250
538-502598-2391	502598-2391	F	23	.354	.260	.337				
538-502598-2591	502598-2591	F	25	.378	.284	.360				
538-502598-2791	502598-2791	F	27	.402	.307	.384				
538-502598-3391	502598-3391	F	33	.425	.331	.408				

0.5mm Dual Contact, Right Angle SMT For quantities greater than listed, call for quote.

MOUSER STOCK NO.	Molex Part No.	Fig.	No. of Circuits	Dimensions: in.			Price Each			
				A	B	C	1	10	100	250
538-503480-0400	503480-0400	F	4	.146	.098	.51				
538-503480-0600	503480-0600	F	6	.185	.138	.59				
538-503480-0800	503480-0800	F	8	.224	.177	.64				
538-503480-1000	503480-1000	F	10	.264	.217	.79				
538-503480-1200	503480-1200	F	12	.303	.256	.89				
538-503480-1600	503480-1600	F	16	.382	.335	1.11				
538-503480-2000	503480-2000	F	20	.461	.413	1.38				

1.00MM (.039") PITCH FFC/FPC CONNECTORS

For 0.30mm thick FFC/FPC. Metal solder tabs provide PCB hold-down and strain relief for SMT tails. ZIF: Zero Insertion Force.

Right Angle, SMT, ZIF - Top Contact Style

Specifications:

- Voltage: 125V
- Current: 1.0A
- Dielectric Withstanding Voltage: 500V AC/1 min.
- Housing: 4/6 Nylon, UL 94V-0
- Actuator: PPS, UL 94V-0
- Contact: Phosphor Bronze
- Plating: Tin
- Solder Tabs: Copper Alloy, Tin plating
- Operating Temperature: -20°C to +85°C

For quantities greater than listed, call for quote.

MOUSER STOCK NO.	Molex Part No.	Fig.	No. of Circuits	Dimensions: in.			Price Each			
				A	B	C	1	10	100	250
538-52207-0885	52207-0885	G	8	.562	.275	-				
538-52207-1085	52207-1085	G	10	.641	.354	-				
538-52207-1285	52207-1285	G	12	.720	.433	-				
538-52207-1485	52207-1485	G	14	.799	.511	-				
538-52207-1885	52207-1885	G	18	.956	.669	-				
538-52207-2085	52207-2085	G	20	1.035	.748	-				

Right Angle, SMT, ZIF - Bottom Contact Style

Specifications:

- Voltage: 50V
- Current: 0.5A
- Dielectric Withstanding Voltage: 500V AC/1 min.
- Housing: 4/6 Nylon, UL 94V-0
- Actuator: PPS, UL 94V-0
- Contact: Phosphor Bronze
- Plating: Tin
- Solder Tabs: Copper Alloy, Tin plating
- Operating Temperature: -20°C to +85°C

For quantities greater than listed, call for quote.

MOUSER STOCK NO.	Molex Part No.	Fig.	No. of Circuits	Dimensions: in.			Price Each			
				A	B	C	1	10	100	250
538-52271-0679	52271-0679	H	6	.433	.197	-				
538-52271-0879	52271-0879	H	8	.511	.275	-				
538-52271-1079	52271-1079	H	10	.590	.354	-				
538-52271-1479	52271-1479	H	14	.748	.511	-				
538-52271-1879	52271-1879	H	18	.905	.669	-				
538-52271-2079	52271-2079	H	20	.984	.748	-				
538-52271-2279	52271-2279	H	22	1.062	.827	-				
538-52271-2479	52271-2479	H	24	1.141	.906	-				
538-52271-2879	52271-2879	H	28	1.299	1.060	-				
538-52271-3079	52271-3079	H	30	1.377	1.140	-				

Vertical, SMT, ZIF

Specifications:

- Voltage: 125V
- Current: 1.0A
- Plating: Tin
- Dielectric Withstanding Voltage: 500V AC/1 min.
- Housing: 4/6 Nylon, UL 94V-0
- Operating Temperature: -20°C to +85°C
- Actuator: PPS, UL 94V-0
- Contact: Phosphor Bronze

For quantities greater than listed, call for quote.

MOUSER STOCK NO.	Molex Part No.	Fig.	No. of Circuits	Dimensions: in.			Price Each			
				A	B	C	1	10	100	250
538-52610-0671	52610-0671	I	6	.496	.197	.427				
538-52610-0871	52610-0871	I	8	.575	.275	.506				
538-52610-1271	52610-1271	I	12	.732	.433	.663				
538-52610-1471	52610-1471	I	14	.811	.511	.742				
538-52610-1671	52610-1671	I	16	.890	.591	.821				
538-52610-1871	52610-1871	I	18	.969	.669	.900				
538-52610-2071	52610-2071	I	20	1.047	.748	.978				
538-52610-3071	52610-3071	I								

MOLEX Flat Flex Jumpers



PREMO-FLEX™ FLAT FLEX CABLE JUMPERS

Premo-Flex™ FFC jumpers, available in a variety of pitches, cable lengths and thicknesses, plus high-temperature ratings up to +105°C, deliver durable, ultra flexible, low-cost solutions for PCB connections in virtually any industry.

Specifications:

- Type "A": contact area same side
- Type "D": contact area opposite side
- Current (max.):
0.50mm Pitch — 0.5A
1.00mm Pitch — 1.2A
0.3mm Pitch — 1.2A

Applications:

- Computer Peripherals:
Notebook PCs
Keyboards
- Printers:
LCD Flat Panel
Scanners
- Entertainment/Consumer:
Set Top Box
Camcorders
CD Players
- Video Games
Plasma Displays
- Other Industries:
Automotive
Military
Medical
Industrial

0.3mm Etched Polyimide Jumpers

For quantities greater than listed, call for quote.

MOUSER STOCK NO.	Molex Part No.	No. of Circuits	Type	Length in. (mm)	Price Each			
					1	10	100	250
538-15015-0223	15015-0223	23	A	2 (50.8)				
538-15015-0423	15015-0423	23	A	4 (101.6)				
538-15015-0623	15015-0623	23	A	6 (152.4)				
538-15015-0225	15015-0225	25	A	2 (50.8)				
538-15015-0425	15015-0425	25	A	4 (101.6)				
538-15015-0625	15015-0625	25	A	6 (152.4)				
538-15015-0227	15015-0227	27	A	2 (50.8)				
538-15015-0427	15015-0427	27	A	4 (101.6)				
538-15015-0627	15015-0627	27	A	6 (152.4)				
538-15015-0229	15015-0229	29	A	2 (50.8)				
538-15015-0429	15015-0429	29	A	4 (101.6)				
538-15015-0629	15015-0629	29	A	6 (152.4)				
538-15015-0233	15015-0233	33	A	2 (50.8)				
538-15015-0433	15015-0433	33	A	4 (101.6)				
538-15015-0633	15015-0633	33	A	6 (152.4)				
538-15015-0239	15015-0239	39	A	2 (50.8)				
538-15015-0439	15015-0439	39	A	4 (101.6)				
538-15015-0639	15015-0639	39	A	6 (152.4)				
538-15015-0245	15015-0245	45	A	2 (50.8)				
538-15015-0445	15015-0445	45	A	4 (101.6)				
538-15015-0645	15015-0645	45	A	6 (152.4)				
538-15015-0251	15015-0251	51	A	2 (50.8)				
538-15015-0451	15015-0451	51	A	4 (101.6)				
538-15015-0651	15015-0651	51	A	6 (152.4)				

Jumpers for 0.50mm (.020") Connectors

For quantities greater than listed, call for quote.

Cable Thickness: 0.12mm, Tin, Standard: -40° to +80°								
538-15166-0119	15166-0119	12	A	2 (50.8)				
538-15166-0127	15166-0127	12	A	6 (152.4)				
538-15166-0207	15166-0207	20	A	2 (50.8)				
538-15166-0215	15166-0215	20	A	6 (152.4)				
538-15166-0317	15166-0317	30	A	2 (50.8)				
538-15166-0325	15166-0325	30	A	6 (152.4)				
538-15166-0427	15166-0427	40	A	2 (50.8)				
538-15166-0435	15166-0435	40	A	6 (152.4)				

Cable Thickness: 0.22mm, Tin, High Temperature: -40° to +105°								
538-98266-0061	98266-0061	6	A	6 (152.4)				
538-98266-0062	98266-0062	6	D	6 (152.4)				
538-98266-0083	98266-0083	8	A	6 (152.4)				
538-98266-0084	98266-0084	8	D	6 (152.4)				
538-98266-0105	98266-0105	10	A	6 (152.4)				
538-98266-0106	98266-0106	10	D	6 (152.4)				
538-98266-0119	98266-0119	12	A	2 (50.8)				
538-98266-0127	98266-0127	12	A	6 (152.4)				
538-98266-0128	98266-0128	12	D	6 (152.4)				
538-98266-0149	98266-0149	14	A	6 (152.4)				
538-98266-0150	98266-0150	14	D	6 (152.4)				
538-98266-0172	98266-0172	16	D	6 (152.4)				
538-98266-0193	98266-0193	18	A	6 (152.4)				
538-98266-0194	98266-0194	18	D	6 (152.4)				
538-98266-0207	98266-0207	20	A	2 (50.8)				
538-98266-0215	98266-0215	20	A	6 (152.4)				
538-98266-0216	98266-0216	20	D	6 (152.4)				
538-98266-0259	98266-0259	24	A	6 (152.4)				
538-98266-0260	98266-0260	24	D	6 (152.4)				
538-98266-0281	98266-0281	26	A	6 (152.4)				
538-98266-0282	98266-0282	26	D	6 (152.4)				
538-98266-0317	98266-0317	30	A	2 (50.8)				
538-98266-0319	98266-0319	30	A	3 (76.2)				
538-98266-0322	98266-0322	30	D	4 (101.6)				
538-98266-0325	98266-0325	30	A	6 (152.4)				
538-98266-0326	98266-0326	30	D	6 (152.4)				
538-98266-0347	98266-0347	32	A	6 (152.4)				
538-98266-0346	98266-0346	32	D	6 (152.4)				
538-98266-0429	98266-0429	40	A	3 (76.2)				
538-98266-0427	98266-0427	40	A	2 (50.8)				
538-98266-0431	98266-0431	40	A	4 (101.6)				
538-98266-0432	98266-0432	40	D	4 (101.6)				
538-98266-0435	98266-0435	40	A	6 (152.4)				
538-98266-0436	98266-0436	40	D	6 (152.4)				

Cable Thickness: 0.27mm, Tin, Standard: -40° to +80°								
538-21020-0055	21020-0055	6	A	3 (76.2)				
538-21020-0061	21020-0061	6	A	6 (152.4)				
538-21020-0083	21020-0083	8	A	6 (152.4)				
538-21020-0097	21020-0097	10	A	2 (50.8)				
538-21020-0099	21020-0099	10	A	3 (76.2)				
538-21020-0101	21020-0101	10	A	4 (101.6)				
538-21020-0105	21020-0105	10	A	6 (152.4)				
538-21020-0109	21020-0109	10	A	8 (203.2)				
538-21020-0119	21020-0119	12	A	2 (50.8)				
538-21020-0121	21020-0121	12	A	3 (76.2)				
538-21020-0127	21020-0127	12	A	6 (152.4)				
538-21020-0143	21020-0143	14	A	3 (76.2)				
538-21020-0165	21020-0165	16	A	3 (76.2)				
538-21020-0171	21020-0171	16	A	6 (152.4)				
538-21020-0187	21020-0187	18	A	3 (76.2)				
538-21020-0193	21020-0193	18	A	6 (152.4)				
538-21020-0209	21020-0209	20	A	3 (76.2)				
538-21020-0211	21020-0211	20	A	4 (101.6)				
538-21020-0212	21020-0212	20	D	4 (101.6)				

Jumpers for 0.50mm (.020") Connectors (Cont.)

For quantities greater than listed, call for quote.

MOUSER STOCK NO.	Molex Part No.	No. of Circuits	Type	Length in. (mm)	Price Each			
					1	10	100	250
Cable Thickness: 0.27mm, Tin, Standard: -40° to +80° (Cont.)								
538-21020-0215	21020-0215	20	A	6 (152.4)				
538-21020-0219	21020-0219	20	A	8 (203.2)				
538-21020-0220	21020-0220	20	D	8 (203.2)				
538-21020-0237	21020-0237	22	A	6 (152.4)				
538-21020-0253	21020-0253	24	A	3 (76.2)				
538-21020-0255	21020-0255	24	A	4 (101.6)				
538-21020-0259	21020-0259	24	A	6 (152.4)				
538-21020-0297	21020-0297	28	A	3 (76.2)				
538-21020-0303	21020-0303	28	A	6 (152.4)				
538-21020-0317	21020-0317	30	A	2 (50.8)				
538-21020-0319	21020-0319	30	A	3 (76.2)				
538-21020-0321	21020-0321	30	A	4 (101.6)				
538-21020-0325	21020-0325	30	A	6 (152.4)				
538-21020-0329	21020-0329	30	A	8 (203.2)				
538-21020-0429	21020-0429	40	A	3 (76.2)				
538-21020-0432	21020-0432	40	D	4 (101.6)				
538-21020-0435	21020-0435	40	A	6 (152.4)				
538-21020-0438	21020-0438	40	D	7 (177.8)				
538-21020-0439	21020-0439	40	A	8 (203.2)				

Cable Thickness: 0.27mm, Gold, Standard: -40° to +80°								
538-15020-0097	15020-0097	10	A	2 (50.8)				
538-15020-0099	15020-0099	10	A	3 (76.2)				
538-15020-0101	15020-0101	10	A	4 (101.6)				
538-15020-0105	15020-0105	10	A	6 (152.4)				
538-15020-0109	15020-0109	10	A	8 (203.2)				
538-15020-0119	15020-0119	12	A	2 (50.8)				
538-15020-0127	15020-0127	12	A	6 (152.4)				
538-15020-0143	15020-0143	14	A	3 (76.2)				
538-15020-0149	15020-0149	14	A	6 (152.4)				
538-15020-0165	15020-0165	16	A	3 (76.2)				
538-15020-0171	15020-0171	16	A	6 (152.4)				
538-15020-0193	15020-0193	18	A	6 (152.4)				
538-15020-0209	15020-0209	20	A	3 (76.2)				
538-15020-0211	15020-0211	20	A	4 (101.6)				
538-15020-0219	15020-0219	20	A	8 (203.2)				
538-15020-0297	15020-0297	28	A	3 (76.2)				
538-15020-0317	15020-0317	30	A	2 (50.8)				
538-15020-0321	15020-0321	30	A	4 (101.6)				
538-15020-0325	15020-0325	30	A	6 (152.4)				
538-15020-0329	15020-0329	30	A	8 (203.2)				
538-15020-0429	15020-0429	40	A	3 (76.2)				
538-15020-0432	15020-0432	40	D	4 (101.6)				
538-15020-0435	15020-0435	40	A	6 (152.4)				
538-15020-0438	15020-0438	40	D	7 (177.8)				
538-15020-0439	15020-0439	40	A	8 (203.2)				

Jumpers for 1.00mm (.039") Connectors

For quantities greater than listed, call for quote.

Cable Thickness: 0.12mm, Tin, High Temperature: -40° to +105°								
538-15167-0225	15167-0225	8	A	2 (50.8)				
538-15167-0233	15167-0233	8	A					

OMRON FPC and PCB Connectors



RoHS Compliant This product is RoHS compliant.

OMRON XF2J SERIES: 0.50MM PITCH ZIF SLIDE-LOCKING CONNECTORS

Specifications:

- Rated current: 0.5A AC/DC
- Rated voltage: 50VAC/DC
- Contact resistance: 30mΩ max. (@ 20mV, 100mA max.)
- Insulation resistance: 100MΩ min. (@ 250VDC)
- Insertion tolerance: 30 times

Features:

- Top-entry ZIF connector
- Low on-board profile of only 4.15mm
- Adhesion face on top of connector suits automatic mounting.
- Applicable FPC thickness of 0.3mm

Materials:

- Housing material: PA46 resin (UL94V-0)/natural
- Contact material: Spring copper alloy/
Nickel substrate (2μm)
Gold-plated contacts (0.15μm)

For quantities greater than listed, call for quote.

MOUSER STOCK NO.	Omron Part No.	Fig.	No. of Contacts	Dimensions: mm				Price Each				Reel Quantity	Price Per Piece
				A	B	C	D	1	25	50	100		
653-XF2J-0624-11A	XF2J-0624-11A	A	6	7.5	2.5	3.6	6.9					1000	
653-XF2J-1024-11A	XF2J-1024-11A	A	10	9.5	4.5	5.6	8.9					1000	
653-XF2J-1224-11A	XF2J-1224-11A	A	12	10.5	5.5	6.6	9.9					1000	
653-XF2J-1424-11A	XF2J-1424-11A	A	14	11.5	6.5	7.6	10.9					1000	
653-XF2J-1624-11A	XF2J-1624-11A	A	16	12.5	7.5	8.6	11.9					1000	
653-XF2J-1824-11A	XF2J-1824-11A	A	18	13.5	8.5	9.6	12.9					1000	
653-XF2J-2024-11A	XF2J-2024-11A	A	20	14.5	9.5	10.6	13.9					1000	
653-XF2J-2224-11A	XF2J-2224-11A	A	22	15.5	10.5	11.6	14.9					1000	
653-XF2J-2424-11A	XF2J-2424-11A	A	24	16.5	11.5	12.6	15.9					1000	
653-XF2J-2624-11A	XF2J-2624-11A	A	26	17.5	12.5	13.6	16.9					1000	
653-XF2J-2824-11A	XF2J-2824-11A	A	28	18.5	13.5	14.6	17.9					1000	
653-XF2J-3024-11A	XF2J-3024-11A	A	30	19.5	14.5	15.6	18.9					1000	
Reverse Terminal Arrangement													
653-XF2J-1224-12A	XF2J-1224-12A	A	12	10.5	5.5	6.6	9.9					1000	

OMRON XF2L SERIES: 0.50MM PITCH SMT ZIF SLIDE-LOCKING CONNECTORS

Specifications:

- Rated current: 0.5A AC/DC
- Rated voltage: 50VAC/DC
- Contact resistance: 30mΩ max. (@ 20mV, 100mA max.)
- Insulation resistance: 100MΩ min. (@ 250VDC)
- Insertion tolerance: 20 times

Features:

- Smallest on-board area and volume in the industry
- Low on-board profile of only 1.2mm max.
- Bottom wall prevents terminal exposure
- Applicable FPC thickness of 0.3mm
- Color-coded slide identifies top and bottom contact versions to prevent mix-ups during production

Materials:

- Housing material: LCP resin (UL94V-0)/natural
- Contact material: Spring copper alloy/
Nickel substrate (2μm)
Gold-plated contacts (0.15μm)

For quantities greater than listed, call for quote.

MOUSER STOCK NO.	Omron Part No.	Fig.	No. of Contacts	Contact Location	Dimensions: mm				Price Each				Reel Quantity	Price Per Piece
					A	B	C	D	1	25	50	100		
653-XF2L-0425-1A	XF2L-0425-1A	B	4	Top	1.5	5.9	6.9	2.6					3000	
653-XF2L-0535-1A	XF2L-0535-1A	B	5	Bottom	2.0	6.4	7.4	3.1					3000	
653-XF2L-0625-1A	XF2L-0625-1A	B	6	Top	2.5	6.9	7.9	3.6					3000	
653-XF2L-0635-1A	XF2L-0635-1A	B	6	Bottom	2.5	6.9	7.9	3.6					3000	
653-XF2L-0825-1A	XF2L-0825-1A	B	8	Top	3.5	7.9	8.9	4.6					3000	
653-XF2L-1025-1A	XF2L-1025-1A	B	10	Top	4.5	8.9	9.9	5.6					3000	
653-XF2L-1225-1A	XF2L-1225-1A	B	12	Top	5.5	9.9	10.9	6.6					3000	
653-XF2L-1235-1A	XF2L-1235-1A	B	12	Bottom	5.5	9.9	10.9	6.6					3000	
653-XF2L-1325-1A	XF2L-1325-1A	B	13	Top	6.0	10.4	11.4	7.1					3000	
653-XF2L-1335-1A	XF2L-1335-1A	B	13	Bottom	6.0	10.4	11.4	7.1					3000	
653-XF2L-1535-1A	XF2L-1535-1A	B	15	Bottom	7.0	11.4	12.4	8.1					3000	
653-XF2L-1825-1A	XF2L-1825-1A	B	18	Top	8.5	12.9	13.9	9.6					3000	
653-XF2L-1835-1A	XF2L-1835-1A	B	18	Bottom	8.5	12.9	13.9	9.6					3000	
653-XF2L-2035-1A	XF2L-2035-1A	B	20	Bottom	9.5	13.9	14.9	10.6					3000	
653-XF2L-2125-1A	XF2L-2125-1A	B	21	Top	10.0	14.4	15.4	11.1					3000	
653-XF2L-2235-1A	XF2L-2235-1A	B	22	Bottom	10.5	14.9	15.9	11.6					3000	
653-XF2L-2435-1A	XF2L-2435-1A	B	24	Bottom	11.5	15.9	16.9	12.6					3000	
653-XF2L-3025-1A	XF2L-3025-1A	B	30	Top	14.5	18.9	19.9	15.6					3000	
653-XF2L-3035-1A	XF2L-3035-1A	B	30	Bottom	14.5	18.9	19.9	15.6					3000	

OMRON XF2M SERIES: 0.50MM PITCH SMT ROTARY BACK-LOCKING CONNECTORS

Specifications:

- Rated current: 0.5A AC/DC
- Rated voltage: 50VAC/DC
- Contact resistance: 50mΩ max. (@ 20mV, 100mA max.)
- Insulation resistance: 100MΩ min. (@ 250VDC)
- Insertion tolerance: 20 times

Features:

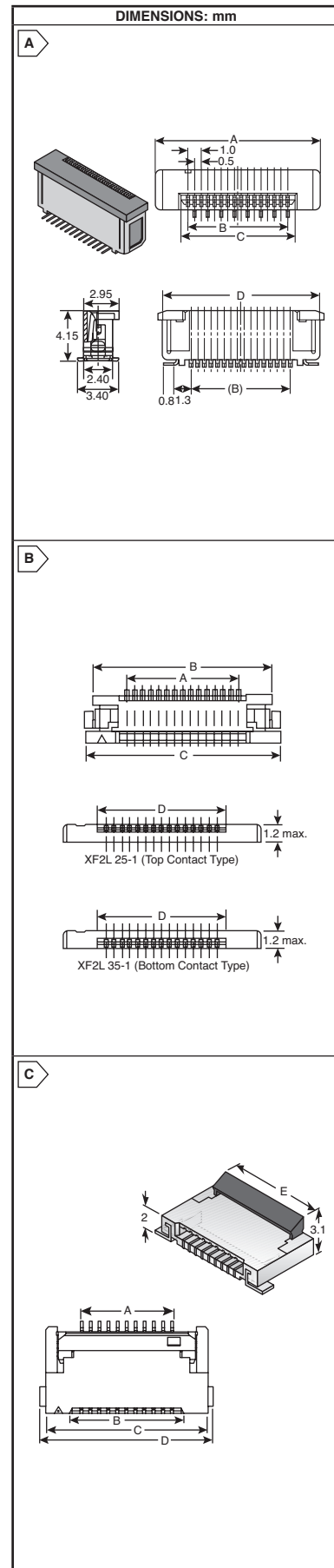
- High-reliability, rotary-lock and superior work efficiency
- Short body depth of 5.9mm with slider closed
- Dual contact reduces the number of parts
- Applicable FPC thickness of 0.3mm

Materials:

- Housing material: LCP resin (UL94V-0)/natural
- Contact material: Spring copper alloy/
Nickel substrate (2μm)
Gold-plated contacts (0.15μm)

For quantities greater than listed, call for quote.

MOUSER STOCK NO.	Omron Part No.	Fig.	No. of Contacts	Dimensions: mm					Price Each				Reel Quantity	Price Per Piece
				A	B	C	D	E	1	25	50	100		
653-XF2M-1015-1A	XF2M-1015-1A	C	10	4.5	5.6	8.5	9.1	7.1					1500	
653-XF2M-1215-1A	XF2M-1215-1A	C	12	5.5	6.6	9.5	10.1	8.1					1500	
653-XF2M-1415-1A	XF2M-1415-1A	C	14	6.5	7.6	10.5	11.1	9.1					1500	
653-XF2M-1815-1A	XF2M-1815-1A	C	18	8.5	9.6	12.5	13.1	11.1					1500	
653-XF2M-2015-1A	XF2M-2015-1A	C	20	9.5	10.6	13.5	14.1	12.1					1500	
653-XF2M-2215-1A	XF2M-2215-1A	C	22	10.5	11.6	14.5	15.1	13.1					1500	
653-XF2M-2415-1A	XF2M-2415-1A	C	24	11.5	12.6	15.5	16.1	14.1					1500	
653-XF2M-2615-1A	XF2M-2615-1A	C	26	12.5	13.6	16.5	17.1	15.1					1500	
653-XF2M-3015-1A	XF2M-3015-1A	C	30	14.5	15.6	18.5	19.1	17.1					1500	
653-XF2M-3215-1A	XF2M-3215-1A	C	32	15.5	16.6	19.5	20.1	18.1					1500	
653-XF2M-3315-1A	XF2M-3315-1A	C	33	16.0	17.1	20.0	20.6	18.6					1500	
653-XF2M-3415-1A	XF2M-3415-1A	C	34	16.5	17.6	20.5	21.1	19.1					1500	
653-XF2M-3515-1A	XF2M-3515-1A	C	35	17.0	18.1	21.0	21.6	19.6					1500	
653-XF2M-3615-1A	XF2M-3615-1A	C	36	17.5	18.6	21.5	22.1	20.1					1500	
653-XF2M-4015-1A	XF2M-4015-1A	C	40	19.5	20.6	23.5	24.1	22.1					1500	
653-XF2M-4515-1A	XF2M-4515-1A	C	45	22.0	23.1	26.0	26.6	24.6					1500	
653-XF2M-5015-1A	XF2M-5015-1A	C	50	24.5	25.6	28.5	29.1	27.1					1500	
653-XF2M-6015-1AH	XF2M-6015-1AH	C	60	29.5	30.6	33.5	34.1	32.1					1500	



Rectangular Connectors Omron

OMRON PCB Connectors



RoHS compliant This product is RoHS compliant.

OMRON XG4A SERIES: MIL PLUGS WITH LONG LOCKS

Specifications:

- Rated current: 3A
- Rated voltage: 300VAC
- Insertion durability: 50 times
- Number of polarity slots: 1
- Contact resistance: 20mΩ max. (@ 20mV, 100mA max.)

Features:

- Industry standard circuit board connectors conform to MIL standards with improved design
- Mates with XG4M-T socket and strain relief sets, XG4M sockets without strain reliefs or XG5M sockets for discrete wires

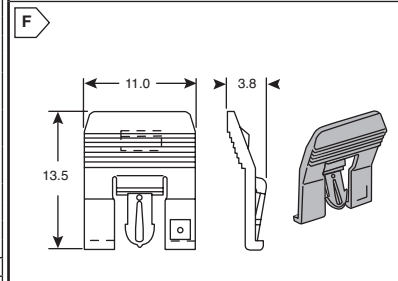
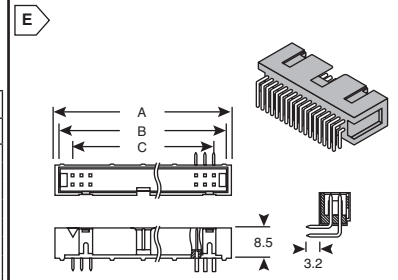
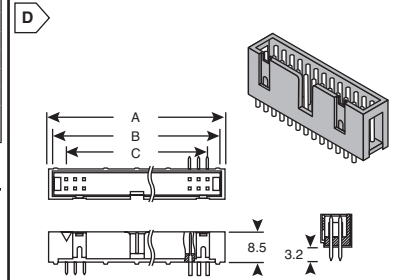
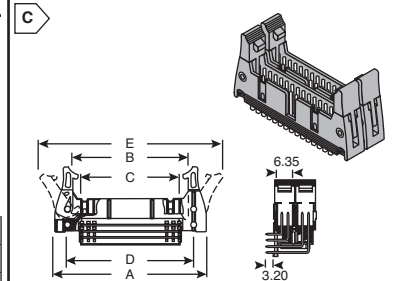
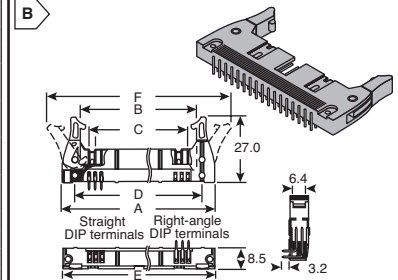
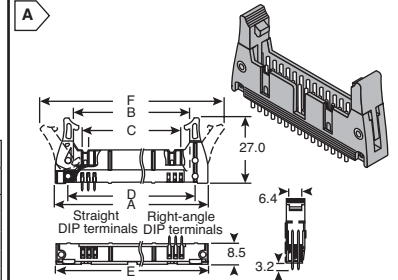
Materials:

- Housing material: Fiber-glass reinforced PBT resin (UL94V-0)/black
- Contact material: Brass/nickel base
- Mating end: 0.15μm Gold plating
- Terminal press fit: Tin plating

For quantities greater than listed, call for quote.

MOUSER STOCK NO.	Omron Part No.	Fig.	No. of Contacts	DIP Terminals	Dimensions: mm					Price Each				
					A	B	C	D	E	F	1	25	50	100
653-XG4A-1031	XG4A-1031	A	10	Straight	32.0	17.5	10.16	21.8	27.9	46.4				
653-XG4A-1431	XG4A-1431	A	14	Straight	37.1	22.6	15.24	26.9	33.0	51.5				
653-XG4A-1631	XG4A-1631	A	16	Straight	39.6	25.2	17.78	29.5	35.6	54.1				
653-XG4A-2031	XG4A-2031	A	20	Straight	44.7	30.2	22.86	34.5	40.6	59.1				
653-XG4A-2631	XG4A-2631	A	26	Straight	52.3	37.9	30.48	42.2	48.3	66.8				
653-XG4A-3031	XG4A-3031	A	30	Straight	57.4	42.9	35.56	47.2	53.3	71.8				
653-XG4A-3431	XG4A-3431	A	34	Straight	62.5	48.0	40.64	52.3	58.4	76.9				
653-XG4A-4031	XG4A-4031	A	40	Straight	70.1	55.6	48.26	59.9	66.0	84.5				
653-XG4A-5031	XG4A-5031	A	50	Straight	82.8	68.3	60.96	72.6	78.7	97.2				
653-XG4A-6031	XG4A-6031	A	60	Straight	95.5	81.0	73.66	85.3	91.4	109.9				
653-XG4A-6431	XG4A-6431	A	64	Straight	100.6	86.1	78.74	90.4	96.5	115.0				
653-XG4A-1034	XG4A-1034	B	10	Right-angle	32.0	17.5	10.16	21.8	27.9	46.4				
653-XG4A-1434	XG4A-1434	B	14	Right-angle	37.1	22.6	15.24	26.9	33.0	51.5				
653-XG4A-1634	XG4A-1634	B	16	Right-angle	39.6	25.2	17.78	29.5	35.6	54.1				
653-XG4A-2034	XG4A-2034	B	20	Right-angle	44.7	30.2	22.86	34.5	40.6	59.1				
653-XG4A-2634	XG4A-2634	B	26	Right-angle	52.3	37.9	35.56	42.2	48.3	66.8				
653-XG4A-3434	XG4A-3434	B	34	Right-angle	62.5	48.0	40.64	52.3	58.4	76.9				
653-XG4A-4034	XG4A-4034	B	40	Right-angle	70.1	55.6	48.26	59.9	66.0	84.5				
653-XG4A-5034	XG4A-5034	B	50	Right-angle	82.8	68.3	60.96	72.6	78.7	97.2				
653-XG4A-6034	XG4A-6034	B	60	Right-angle	95.5	81.0	73.66	85.3	91.4	109.9				
653-XG4A-6434	XG4A-6434	B	64	Right-angle	100.6	86.1	78.74	90.4	96.5	115.0				

DIMENSIONS: mm



OMRON XG4A-A SERIES: 2-TIER MIL PLUGS WITH LONG LOCK

Specifications:

- Rated current: 3A
- Rated voltage: 300VAC
- Terminals: Right-angle DIP
- Number of polarity slots: 1
- Contact resistance: 20mΩ max. (@ 20mV, 100mA max.)

Features:

- Recommended for high-density mounting
- MIL-compliant cable ensures faster delivery times and lower cost than half-pitch board cable
- Mates with XG4M-T socket and strain relief sets, XG4M sockets without strain reliefs or XG5M sockets for discrete wires

Materials:

- Housing material: Fiber-glass reinforced PBT resin (UL94V-0)/black
- Contact material: Brass/nickel base
- Mating end: 0.15μm Gold plating
- Terminal press fit: Tin plating

For quantities greater than listed, call for quote.

MOUSER STOCK NO.	Omron Part No.	Fig.	No. of Contacts	Applicable Socket for Flat Cable*	Applicable Socket for Discrete Wire†	Dimensions: mm					Price Each			
						A	B	C	D	E	1	25	50	100
653-XG4A-1039-A	XG4A-1039-A	C	10x2	XG4M-1030-T	XG5M-1032-N	32.0	17.5	10.16	21.8	46.4				
653-XG4A-1439-A	XG4A-1439-A	C	14x2	XG4M-1430-T	XG5M-1432-N	37.1	22.6	15.24	26.9	51.5				
653-XG4A-1639-A	XG4A-1639-A	C	16x2	XG4M-1630-T	XG5M-1632-N	39.6	25.2	17.78	29.5	54.1				
653-XG4A-2039-A	XG4A-2039-A	C	20x2	XG4M-2030-T	XG5M-2032-N	44.7	30.2	22.86	34.5	59.1				
653-XG4A-2639-A	XG4A-2639-A	C	26x2	XG4M-2630-T	XG5M-2632-N	52.3	37.9	30.48	42.2	66.8				
653-XG4A-3439-A	XG4A-3439-A	C	34x2	XG4M-3430-T	XG5M-3432-N	62.5	48.0	40.64	52.3	76.9				
653-XG4A-4039-A	XG4A-4039-A	C	40x2	XG4M-4030-T	XG5M-4032-N	70.1	55.6	48.26	59.9	84.9				
653-XG4A-5039-A	XG4A-5039-A	C	50x2	XG4M-5030-T	XG5M-5032-N	82.8	68.3	60.96	72.6	97.2				
653-XG4A-6039-A	XG4A-6039-A	C	60x2	XG4M-6030-T	XG5M-6032-N	95.5	81.0	73.66	85.3	109.9				

*Socket is ordered separately. Use with the supplied strain relief. † Socket is ordered separately. Use with the supplied semi-cover. Hood cover cannot be used.

OMRON XG4C SERIES: MIL BOX-TYPE SHROUDED PLUGS

Specifications:

- Rated current: 3A
- Rated voltage: 300VAC
- Insertion durability: 50 times
- Number of polarity slots: 1
- Contact resistance: 20mΩ max. (@ 20mV, 100mA max.)

Features:

- Industry standard circuit board connectors conform to MIL standards with improved design
- Mates with XG4M-T socket and strain relief sets, XG4M sockets without strain reliefs, XG5M sockets for discrete wires or XG4M-U socket and strain relief sets with locks

Materials:

- Housing material: Fiber-glass reinforced PBT resin (UL94V-0)/black
- Contact material: Brass/nickel base
- Mating end: 0.15μm Gold plating
- Terminal press fit: Tin plating

For quantities greater than listed, call for quote.

MOUSER STOCK NO.	Omron Part No.	Fig.	No. of Contacts	DIP Terminals	Dimensions: mm			Price Each				
					A	B	C	1	25	50	100	
653-XG4C-1031	XG4C-1031	D	10	Straight	20.0	17.5	10.16					
653-XG4C-1431	XG4C-1431	D	14	Straight	25.1	22.6	15.24					
653-XG4C-1631	XG4C-1631	D	16	Straight	27.6	25.2	17.78					
653-XG4C-2031	XG4C-2031	D	20	Straight	32.7	30.2	22.86					
653-XG4C-2631	XG4C-2631	D	26	Straight	40.3	37.9	30.48					
653-XG4C-3031	XG4C-3031	D	30	Straight	45.4	42.9	35.56					
653-XG4C-3431	XG4C-3431	D	34	Straight	50.5	48.0	40.64					
653-XG4C-4031	XG4C-4031	D	40	Straight	58.1	55.6	48.26					
653-XG4C-5031	XG4C-5031	D	50	Straight	70.8	68.3	60.96					
653-XG4C-6031	XG4C-6031	D	60	Straight	83.5	81.0	73.66					
653-XG4C-6431	XG4C-6431	D	64	Straight	88.6	86.1	78.74					
653-XG4C-1034	XG4C-1034	E	10	Right-angle	20.0	17.5	10.16					
653-XG4C-1434	XG4C-1434	E	14	Right-angle	25.1	22.6	15.24					
653-XG4C-1634	XG4C-1634	E	16	Right-angle	27.6	25.2	17.78					
653-XG4C-2034	XG4C-2034	E	20	Right-angle	32.7	30.2	22.86					
653-XG4C-2634	XG4C-2634	E	26	Right-angle	40.3	37.9	30.48					
653-XG4C-3034	XG4C-3034	E	30	Right-angle	45.4	42.9	35.56					
653-XG4C-3434	XG4C-3434	E	34	Right-angle	50.5	48.0	40.64					
653-XG4C-4034	XG4C-4034	E	40	Right-angle	58.1	55.6	48.26					
653-XG4C-5034	XG4C-5034	E	50	Right-angle	70.8	68.3	60.96					
653-XG4C-6034	XG4C-6034	E	60	Right-angle	83.5	81.0	73.66					
653-XG4C-6434	XG4C-6434	E	64	Right-angle	88.6	86.1	78.74					

Use To Lock XG4C Box-Type Plugs

653-XG4Z-0002	XG4Z-0002	F	Locks plugs to XG4M and XG5 sockets										
---------------	-----------	---	-------------------------------------	--	--	--	--	--	--	--	--	--	--

OMRON PCB Connectors

RoHS Compliant **This product is RoHS compliant.**

XG SERIES: FLAT CABLE CONNECTORS

Specifications:

- XG4**
- Rated current: 1A
 - Rated voltage: 250VAC
 - Insertion tolerance: 50 times

Features:

- XG4**
- Industry standard circuit board connectors conform to MIL standards with improved design
 - New production system improves reliability

Materials:

- Housing material:
 - XG4M/XG5 Fiber-glass reinforced, Black PBT resin (UL94V-0)
 - XG4E/XG4 Black Polyamide resin (UL94V-0)
- Contact material: Phosphor bronze/nickel base
 - XG4 Mating end: 0.15µm Gold plating
 - Terminal press fit: Tin plating
 - XG5 Mating end: 0.15µm Gold plating
 - Terminal press fit: 2.0µm Solder plating

Sockets:

- Number of polarity slots: 1

XG5

- Rated current: 3A
- Rated voltage: 300VAC
- Insertion tolerance: 50 times

XG5

- Two-row, IDC construction and insulation barrel offer high reliability and large-current discrete wiring capability
- Adaptable to a variety of covers for space-saving

MIL Socket and Strain Relief Sets

- Mates with XG4A MIL plugs with short locks, XG4E cable plugs with short locks
- + XG4S strain reliefs, XG4C box-type shrouded plugs, XG8W original plugs (unshrouded)

For quantities greater than listed, call for quote.

MOUSER STOCK NO.	Omron Part No.	Fig.	No. of Contacts	Dimensions: mm					Price Each				
				A	B	C	D	E	1	25	50	100	
653-XG4M-1030-T	XG4M-1030-T	A	10	17.3	10.16	-	-	-	-	-	-	-	-
653-XG4M-1430-T	XG4M-1430-T	A	14	22.3	15.24	-	-	-	-	-	-	-	-
653-XG4M-1630-T	XG4M-1630-T	A	16	24.9	17.78	-	-	-	-	-	-	-	-
653-XG4M-2030-T	XG4M-2030-T	A	20	30.0	22.86	-	-	-	-	-	-	-	-
653-XG4M-2630-T	XG4M-2630-T	A	26	37.6	30.48	-	-	-	-	-	-	-	-
653-XG4M-3030-T	XG4M-3030-T	A	30	42.7	35.56	-	-	-	-	-	-	-	-
653-XG4M-3430-T	XG4M-3430-T	A	34	47.7	40.64	-	-	-	-	-	-	-	-
653-XG4M-4030-T	XG4M-4030-T	A	40	55.4	48.26	-	-	-	-	-	-	-	-
653-XG4M-5030-T	XG4M-5030-T	A	50	68.1	60.96	-	-	-	-	-	-	-	-
653-XG4M-6030-T	XG4M-6030-T	A	60	80.8	73.66	-	-	-	-	-	-	-	-
653-XG4M-6430-T	XG4M-6430-T	A	64	85.8	78.74	-	-	-	-	-	-	-	-

Sockets and Strain Relief Sets with Locks

- Mates with XG4C box-type plugs

For quantities greater than listed, call for quote.

MOUSER STOCK NO.	Omron Part No.	Fig.	No. of Contacts	Dimensions: mm					Price Each				
				A	B	C	D	E	1	25	50	100	
653-XG4M-1030-U	XG4M-1030-U	B	10	26.8	13.2	26.2	17.3	10.16	-	-	-	-	-
653-XG4M-1430-U	XG4M-1430-U	B	14	31.8	18.2	31.2	22.3	15.24	-	-	-	-	-
653-XG4M-1630-U	XG4M-1630-U	B	16	34.4	20.8	33.8	24.9	17.78	-	-	-	-	-
653-XG4M-2030-U	XG4M-2030-U	B	20	39.5	25.9	38.9	30.0	22.86	-	-	-	-	-
653-XG4M-2630-U	XG4M-2630-U	B	26	47.1	33.5	46.5	37.6	30.48	-	-	-	-	-
653-XG4M-3430-U	XG4M-3430-U	B	34	57.2	43.6	56.6	47.7	40.64	-	-	-	-	-
653-XG4M-4030-U	XG4M-4030-U	B	40	64.9	51.3	64.3	55.4	48.26	-	-	-	-	-

Individual Sockets or Strain Reliefs

For quantities greater than listed, call for quote.

Sockets with Open-End Covers (Strain Reliefs Sold Separately)									
MOUSER STOCK NO.	Omron Part No.	Fig.	No. of Contacts	A	B	C	D	E	Price Each
653-XG4M-1030	XG4M-1030	B	10	17.3	10.16	-	-	-	-
653-XG4M-1430	XG4M-1430	B	14	22.3	15.24	-	-	-	-
653-XG4M-1630	XG4M-1630	B	16	24.9	17.78	-	-	-	-
653-XG4M-2030	XG4M-2030	B	20	30.0	22.86	-	-	-	-
653-XG4M-2630	XG4M-2630	B	26	37.6	30.48	-	-	-	-
653-XG4M-3030	XG4M-3030	B	30	42.7	35.56	-	-	-	-
653-XG4M-4030	XG4M-4030	B	40	55.4	48.26	-	-	-	-

Strain Reliefs for XG4M Sockets									
MOUSER STOCK NO.	Omron Part No.	Fig.	No. of Contacts	A	B	C	D	E	Price Each
653-XG4T-1004	XG4T-1004	B	10	17.3	10.16	-	-	-	-
653-XG4T-1404	XG4T-1404	B	14	22.3	15.24	-	-	-	-
653-XG4T-1604	XG4T-1604	B	16	24.9	17.78	-	-	-	-
653-XG4T-2004	XG4T-2004	B	20	30.0	22.86	-	-	-	-
653-XG4T-2604	XG4T-2604	B	26	37.6	30.48	-	-	-	-
653-XG4T-3004	XG4T-3004	B	30	42.7	35.56	-	-	-	-
653-XG4T-4004	XG4T-4004	B	40	55.4	48.26	-	-	-	-

IDC Sockets for Discrete Wires

- Mates with XG4A and XG4C PCB plugs, XG4E IDC flat cable plugs, and XG8W/XG8B double-row unshrouded plugs

For quantities greater than listed, call for quote.

Double-Row PCB Sockets									
MOUSER STOCK NO.	Omron Part No.	Fig.	No. of Contacts	A	B	C	D	E	Price Each
653-XG5M-1032-N	XG5M-1032-N	C	10	17.3	10.16	-	-	-	-
653-XG5M-1432-N	XG5M-1432-N	C	14	22.3	15.24	-	-	-	-
653-XG5M-2632-N	XG5M-2632-N	C	26	37.6	30.48	-	-	-	-
653-XG5M-3432-N	XG5M-3432-N	C	34	47.7	40.64	-	-	-	-
653-XG5M-4032-N	XG5M-4032-N	C	40	55.4	48.26	-	-	-	-
653-XG5M-5032-N	XG5M-5032-N	C	50	68.1	60.96	-	-	-	-
653-XG5M-6432-N	XG5M-6432-N	C	64	85.8	78.74	-	-	-	-

Semi-Covers for Connectors

653-XG5S-0501	XG5S-0501	D	5	17.3	-	-	-	-	-
653-XG5S-1001	XG5S-1001	D	10	30.0	-	-	-	-	-
653-XG5S-1701	XG5S-1701	D	17	47.7	-	-	-	-	-
653-XG5S-2001	XG5S-2001	D	20	55.4	-	-	-	-	-
653-XG5S-2501	XG5S-2501	D	25	68.1	-	-	-	-	-

IDC Tool For Use With XG5M Connectors

653-XY2B-7006	XY2B-7006	E		Applicable wire AWG24 to AWG28					
---------------	-----------	---	--	--------------------------------	--	--	--	--	--

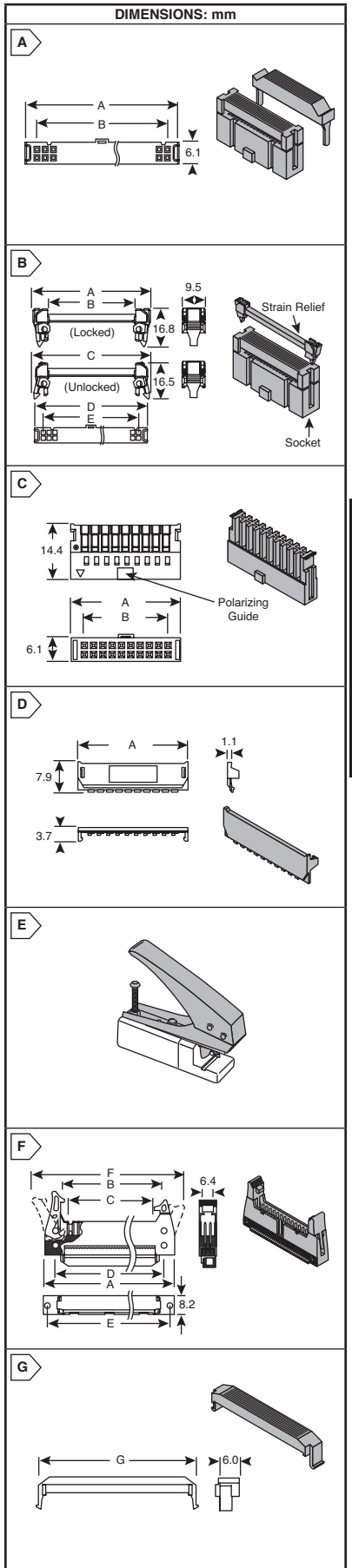
Long-Lock Relay Plugs with Open-End Covers

- Mates with XG4M-T MIL socket and strain relief sets and XG5M sockets

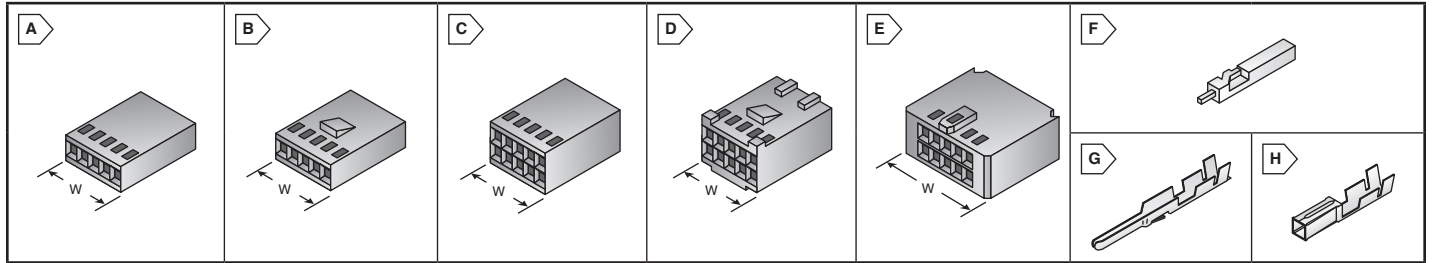
For quantities greater than listed, call for quote.

MOUSER STOCK NO.	Omron Part No.	Fig.	No. of Contacts	Dimensions: mm							Price Each			
				A	B	C	D	E	F	G	1	25	50	100
653-XG4E-1031	XG4E-1031	F	10	32.0	17.5	10.16	21.8	27.9	46.4	-	-	-	-	
653-XG4E-1431	XG4E-1431	F	14	37.1	22.6	15.24	26.9	33.0	51.5	-	-	-	-	
653-XG4E-1631	XG4E-1631	F	16	39.6	25.2	17.78	29.5	35.6	54.1	-	-	-	-	
653-XG4E-2031	XG4E-2031	F	20	44.7	30.2	22.86	34.5	40.6	59.1	-	-	-	-	
653-XG4E-2631	XG4E-2631	F	26	52.3	37.9	30.48	42.2	48.3	66.8	-	-	-	-	
653-XG4E-3431	XG4E-3431	F	34	62.5	48.0	40.64	52.3	58.4	76.9	-	-	-	-	
653-XG4E-4031	XG4E-4031	F	40	70.1	55.6	48.26	59.9	66.0	84.5	-	-	-	-	
653-XG4E-5031	XG4E-5031	F	50	82.8	68.3	60.96	72.6	78.7	97.2	-	-	-	-	
653-XG4E-6031	XG4E-6031	F	60	95.5	81.0	73.66	85.3	91.4	109.9	-	-	-	-	

Strain Reliefs									
MOUSER STOCK NO.	Omron Part No.	Fig.	No. of Contacts	A	B	C	D	E	Price Each
653-XG4S-1004	XG4S-1004	G	10	-	-	-	-	-	16.9
653-XG4S-1604	XG4S-1604	G	16	-	-	-	-	-	24.6
653-XG4S-2004	XG4S-2004	G	20	-	-	-	-	-	29.6
653-XG4S-3404	XG4S-3404	G	34	-	-	-	-	-	47.4
653-XG4S-4004	XG4S-4004	G	40	-	-	-	-	-	55.0



Rectangular Connectors Omron



TE MOD.IV WIRE-APPLIED HOUSINGS

- * Housing Material: UL94V-0 black thermoplastic, flame retardant
- * Stamped
- * .100" Centerline

Non-Polarized, Single Row Housings

For quantities greater than listed, call for quote.

MOUSER STOCK NO.	TE Part No.	Fig.	No. of Pos.	Width (w) in.	Price Each				
					1	10	25	50	100
* 571-7874992	7-87499-2	A	1	.105					
571-874993	87499-3	A	2	.205					
571-874995	87499-5	A	3	.305					
571-874997	87499-7	A	4	.405					
571-874999	87499-9	A	5	.505					
571-1874991	1-87499-1	A	6	.605					
571-874991	87499-1	A	7	.705					
571-1874995	1-87499-5	A	9	.905					
571-1874997	1-87499-7	A	10	1.005					

* Unstamped

Polarized, Single Row Housings with Detent Latching

- * Unstamped (No marking on housing)
- * .100" Centerline

For quantities greater than listed, call for quote.

MOUSER STOCK NO.	TE Part No.	Fig.	No. of Pos.	Width (w) in.	Price Each				
					1	10	25	50	100
571-1022412	102241-2	B	4	.400					
571-1022413	102241-3	B	5	.500					
571-1022414	102241-4	B	6	.600					
571-1022415	102241-5	B	7	.700					
571-1022416	102241-6	B	8	.800					
571-1022418	102241-8	B	10	1.000					

Non-Polarized, Double Row Housings

- * Stamped
- * .100" x .100" Centerline

For quantities greater than listed, call for quote.

MOUSER STOCK NO.	TE Part No.	Fig.	No. of Pos.	Width (w) in.	Price Each				
					1	10	25	50	100
571-874562	87456-2	C	6	.305					
571-874564	87456-4	C	8	.405					
571-874566	87456-6	C	10	.505					
571-874568	87456-8	C	12	.605					
571-1874560	1-87456-0	C	14	.705					
571-1874562	1-87456-2	C	16	.805					

Polarized, Double Row Housings with Detent Latching

- * Stamped
- * .100" x .100" Centerline

For quantities greater than listed, call for quote.

MOUSER STOCK NO.	TE Part No.	Fig.	No. of Pos.	Width (w) in.	Price Each				
					1	10	25	50	100
571-876312	87631-2	D	6	.300					
571-876314	87631-4	D	8	.400					
571-876316	87631-6	D	10	.500					
571-876318	87631-8	D	12	.600					
571-1876310	1-87631-0	D	14	.700					
571-1876316	1-87631-6	D	20	1.000					
571-2876312	2-87631-2	D	26	1.300					

Center Polarized, Double Row Housings

- * Stamped
- * .100" x .100" Centerline

For quantities greater than listed, call for quote.

MOUSER STOCK NO.	TE Part No.	Fig.	No. of Pos.	Width (w) in.	Price Each				
					1	10	25	50	1000
571-1023871	102387-1	E	10	.680					
571-1023872	102387-2	E	14	.880					
571-1023873	102387-3	E	16	.980					
571-1023874	102387-4	E	20	1.180					
571-1023875	102387-5	E	24	1.380					
571-1023876	102387-6	E	26	1.480					
571-1023878	102387-8	E	34	1.880					
571-1023879	102387-9	E	40	2.180					
571-1023870	1-102387-0	E	50	2.680					

KEYING PLUGS

For quantities greater than listed, call for quote.

MOUSER STOCK NO.	TE Part No.	Fig.	Description	Price Each			
				1	100	500	1000
571-870772	87077-2	F	Plugs directly into housing				
571-862861	86286-1	-	Plugs into standard or intermediate pressure receptacle contact				

© Copyright 2014 Mouser Electronics

© Copyright 2014 Mouser Electronics

TE MOD.IV PIN AND RECEPTACLE CONTACTS

Contact Plating:

- 1 = Duplex plated .00003 min. gold on contact area. .0001 ~ .0002 min. tin on solder area w/ entire post underplated .00005 min. nickel.
- 2 = Duplex plated .000015 min. gold on contact area. .0001 ~ .0002 min. tin on solder area w/ entire post underplated .00005 min. nickel.
- 3 = Selectively plated .000030 gold on contact area w/ gold flash over .000050 nickel on entire contact.
- 4 = Selectively plated .000015 gold on contact area w/ gold flash over .000050 nickel on entire contact.
- 5 = .000100~.000200 bright tin over .000050 nickel on entire contact

Crimp Snap-In Pins with Insulation Support

For quantities greater than listed, call for quote.

MOUSER STOCK NO.	TE Part No.	Fig.	Material	Plating	Wire AWG	Terminal Length (in.)	Price Each			
							1	100	500	1000
571-1021072	102107-2	G	Ph Bz	3	26-22	.815				
571-1021071	102107-1	G	Ph Bz	4	26-22	.815				
571-5-102107-3	5-102107-3	G	Ph Bz	5	26-22	.815				

Standard Pressure Receptacle Contacts

- * Mating force: 9oz. max.
- * Unmating force: 1.5oz. min.

For quantities greater than listed, call for quote.

MOUSER STOCK NO.	TE Part No.	Fig.	Material	Plating	Wire AWG	Terminal Length (in.)	Price Each			
							1	100	500	1000
571-876673	87667-3	H	Be Cu	5	26-22	.445				
571-876672	87667-2	H	Be Cu	3	26-22	.445				
571-860163	86016-3	H	Be Cu	5	24-20	.470				
571-860162	86016-2	H	Be Cu	3	24-20	.470				
571-6-102316-4	6-102316-4	H	Cu Sn Ph Bz	1	32-27	.445				
571-6-102316-3	6-102316-3	H	Cu Sn Ph Bz	2	32-27	.445				
571-1029172	102917-2	H	Be Cu	3	32-27	.445				
571-6-87756-8	6-87756-8	H	Cu Sn Ph Bz	1	26-22	.445				
571-6-87756-6	6-87756-6	H	Cu Sn Ph Bz	2	26-22	.445				
571-877567	87756-7	H	Cu Sn Ph Bz	5	26-22	.445				
571-876665	87666-5	H	Be Cu	4	26-22	.445				
571-6-87523-9	6-87523-9	H	Cu Sn Ph Bz	1	24-20	.470				
571-2-87523-4	2-87523-4	H	Cu Sn Ph Bz	2	24-20	.470				
571-860165	86016-5	H	Be Cu	4	24-20	.470				
571-875236	87523-6	H	Cu Sn Ph Bz	5	24-20	.470				

TE MOD IV.V INTERMEDIATE PRESSURE RECEPTACLE CONTACTS

- * Mating force: 16oz. max.
- * Unmating force: 2oz. min.

For quantities greater than listed, call for quote.

MOUSER STOCK NO.	TE Part No.	Fig.	Material	Plating	Wire AWG	Terminal Length (in.)	Price Each			
							1	100	500	1000
571-870464	87046-4	H	Be Cu	5	24-20	.470				
571-870463	87046-3	H	Be Cu	1	24-20	.470				
571-5-102920-2	5-102920-2	H	Cu Sn Ph Bz	1	32-27	.445				
571-1029182	102918-2	H	Be Cu	3	32-27	.445				
571-5-103171-5	5-103171-5	H	Cu Sn Ph Bz	1	26-22	.445				
571-1025486	102548-6	H	Be Cu	3	26-22	.445				
571-1025483	102548-3	H	Be Cu	4	26-22	.445				
571-2-87195-6	2-87195-6	H	Cu Sn Ph Bz	1	24-20	.445				
571-2-87195-5	2-87195-5	H	Cu Sn Ph Bz	2	24-20	.470				
571-870461	87046-1	H	Be Cu	4	24-20	.470				

TE MOD V HIGH PRESSURE RECEPTACLE CONTACTS

- * Mating force: 20oz. max.
- * Unmating force: 3oz. min.

For quantities greater than listed, call for quote.

MOUSER STOCK NO.	TE Part No.	Fig.	Material	Plating	Wire AWG	Terminal Length (in.)	Price Each			
							1	100	500	1000
571-1021282	102128-2	H	Ph Bz	5	26-22	.445				
571-1021281	102128-1	H	Ph Bz	3	26-22	.445				
571-1873093	1-87309-3	H	Ph Bz	5	24-20	.470				
571-1873094	1-87309-4	H	Ph Bz	3	24-20	.470				
571-1034552	103455-2	H	Ph Bz	4	32-27	.445				

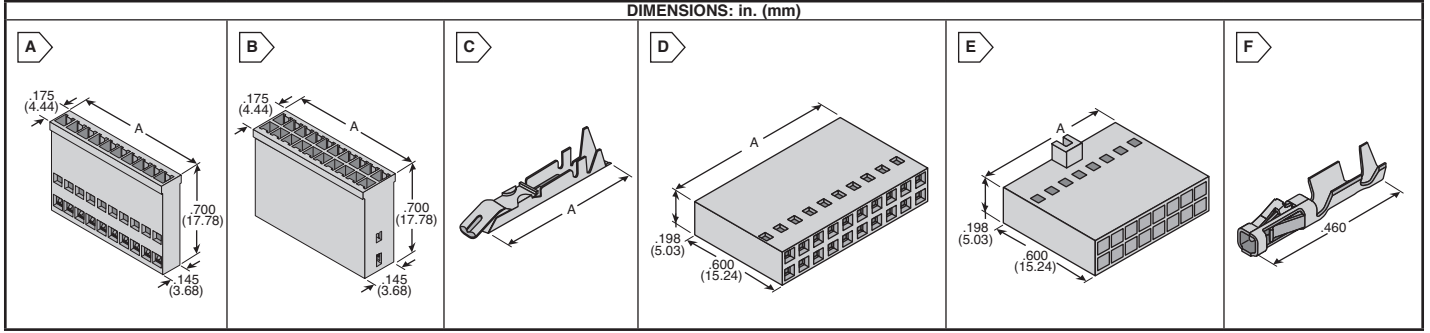
TOOLS

For quantities greater than listed, call for quote.

MOUSER STOCK NO.	TE Part No.	Description	Price Each
571-586411	58641-1	Commercial crimp tool 26-22 AWG	
571-8439963	843996-3	Extraction tool	

TE PCB and Wire Connectors

RoHS Compliant This product is RoHS compliant.
DIMENSIONS: in. (mm)



TE HOUSINGS AND ACCESSORIES

Features:

- Mates with .025" (.64mm) square posts
- Modular design permits end-to-end stacking
- Housing made of 94V-0 rated glass-filled polyester
- Stamped: Cavity ID, part number, date code; where size permits Unstamped: No markings

Specifications:

- Contact Current Rating: 3A
- Termination Resistance: 12mΩ max. Gold
16mΩ max. Tin
- Operating Temp.: -65°C to 105°C Gold
-65°C to 60°C Tin



RoHS Compliant

TE SHORT POINT WIRE-APPLIED CONNECTORS AND CONTACTS

Features:

- Short point of contact mates with .169" - .259" (4.29mm - 6.58mm)
- Double row housings are end-to-end and side-to-side stackable
- Mates with .025" (.64mm) square posts
- Dual cantilever contact beams for reliable mating

Specifications:

- Contact current rating: 3A
- Termination Resistance: 12mΩ max.
- Black thermoplastic, flame retardant, 94V-0



RoHS Compliant

Single Row - Housings

For quantities greater than listed, call for quote.

MOUSER STOCK NO.	TE Part No.	Fig.	No. of Positions	Description	Dimension A in. (mm)	Price Each		
						1	25	50
571-87175-2	87175-2	A	1	Unstamped	.108 (2.74)			
571-871756	87175-6	A	2	Unstamped	.216 (5.49)			
571-871758	87175-8	A	3	Unstamped	.316 (8.06)			
571-1871750	1-87175-0	A	4	Unstamped	.416 (10.57)			
571-1871752	1-87175-2	A	5	Unstamped	.516 (13.11)			
571-1871754	1-87175-4	A	6	Unstamped	.616 (15.65)			
571-1-87175-3	1-87175-3	A	6	Stamped	.616 (15.65)			
571-1-87175-6	1-87175-6	A	7	Unstamped	.716 (18.19)			
571-1-87175-5	1-87175-5	A	7	Stamped	.716 (18.19)			
571-1-87175-8	1-87175-8	A	8	Unstamped	.816 (20.73)			
571-2871750	2-87175-0	A	9	Unstamped	.916 (23.27)			
571-1-87175-9	1-87175-9	A	9	Stamped	.916 (23.27)			
571-2-87175-1	2-87175-1	A	10	Stamped	1.016 (25.81)			
571-2-87175-3	2-87175-3	A	11	Stamped	1.116 (28.35)			
571-2-87175-6	2-87175-6	A	12	Unstamped	1.216 (30.89)			
571-2-87175-5	2-87175-5	A	12	Stamped	1.216 (30.89)			
571-3-87175-0	3-87175-0	A	14	Unstamped	1.416 (35.97)			
571-87175-3	87175-3	A	15	Stamped	1.516 (38.51)			

Non-Polarized Housings

For quantities greater than listed, call for quote.

MOUSER STOCK NO.	TE Part No.	Fig.	No. of Positions	Dimension A in. (mm)	Price Each		
					1	25	50
571-104482-3	104482-3	D	8	.398 (10.11)			
571-104482-4	104482-4	D	10	.498 (12.65)			
571-104482-5	104482-5	D	12	.598 (15.19)			
571-104482-6	104482-6	D	14	.698 (17.73)			
571-104482-8	104482-8	D	18	.898 (22.81)			
571-104482-9	104482-9	D	20	.998 (25.35)			
571-1-104482-0	1-104482-0	D	22	1.098 (27.89)			
571-1-104482-1	1-104482-1	D	26	1.298 (32.97)			
571-1-104482-2	1-104482-2	D	28	1.398 (35.51)			
571-1-104482-3	1-104482-3	D	30	1.498 (38.05)			
571-1-104482-4	1-104482-4	D	32	1.598 (40.59)			
571-1-104482-6	1-104482-6	D	36	1.798 (45.67)			
571-1-104482-9	1-104482-9	D	44	2.198 (55.83)			
571-2-104482-0	2-104482-0	D	52	2.598 (65.99)			

Double Row - Housings

For quantities greater than listed, call for quote.

MOUSER STOCK NO.	TE Part No.	Fig.	No. of Positions	Description	Dimension A in. (mm)	Price Each		
						1	25	50
571-871331	87133-1	B	4	Unstamped	.216 (5.49)			
571-87133-7	87133-7	B	6	Unstamped	.316 (8.06)			
571-87133-8	87133-8	B	6	Stamped	.316 (8.06)			
571-871339	87133-9	B	8	Unstamped	.416 (10.57)			
571-871332	87133-2	B	10	Unstamped	.516 (13.11)			
571-871335	87133-5	B	10	Stamped	.516 (13.11)			
571-1-87133-1	1-87133-1	B	12	Unstamped	.616 (15.65)			
571-871333	87133-3	B	20	Unstamped	1.016 (25.81)			

Polarized Housings

For quantities greater than listed, call for quote.

MOUSER STOCK NO.	TE Part No.	Fig.	No. of Positions	Dimension A in. (mm)	Price Each		
					1	25	50
571-104483-9	104483-9	E	14	.698 (17.73)			
571-104483-2	104483-2	E	18	.898 (22.81)			
571-104483-3	104483-3	E	20	.998 (25.35)			
571-104483-5	104483-5	E	30	1.498 (38.05)			
571-104483-8	104483-8	E	64	3.198 (81.23)			

Locking Clip Contacts

For quantities greater than listed, call for quote.

MOUSER STOCK NO.	TE Part No.	Fig.	Description	Dimension A in. (mm)	Price Each		
					1	100	500
571-871911	87191-1	C	30-28AWG, Gold	.550 (13.97)			
571-5-87191-2	5-87191-2	C	30-28AWG, Tin	.550 (13.97)			
571-871651	87165-1	C	26-22AWG, Gold	.584 (14.83)			
571-5-87165-2	5-87165-2	C	26-22AWG, Tin	.584 (14.83)			

Contacts

For quantities greater than listed, call for quote.

MOUSER STOCK NO.	TE Part No.	Fig.	Wire Size AWG	Contact Plating	Price Each		
					1	100	500
571-1-104481-3	1-104481-3	F	32-28	30µ" Gold			
571-1-104481-2	1-104481-2	F	32-28	15µ" Gold			
571-5-104481-6	5-104481-6	F	32-28	Tin			
571-1-104480-6	1-104480-6	F	26-22	30µ" Gold			
571-1-104480-5	1-104480-5	F	26-22	15µ" Gold			
571-1-104480-4	1-104480-4	F	26-22	Tin			
571-1-104479-3	1-104479-3	F	24-20	30µ" Gold			
571-1-104479-2	1-104479-2	F	24-20	15µ" Gold			
571-1-104479-1	1-104479-1	F	24-20	Tin			

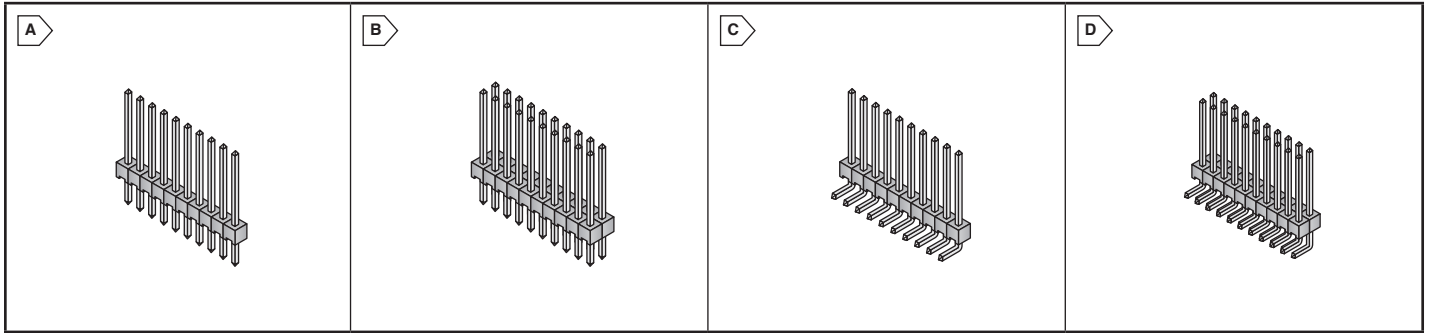
Accessories

For quantities greater than listed, call for quote.

MOUSER STOCK NO.	TE Part No.	Fig.	Description	Price Each
571-871791	87179-1	-	Keying Plug	
571-910841	91084-1	-	Extraction Tool	

TE Breakaway Headers

RoHS Compliant This product is RoHS compliant.



TE BREAKAWAY HEADERS - SINGLE AND DOUBLE ROW

.025" Square Straight Posts

Material:

- Housing: UL94V-0 black thermoplastic
- Post: phosphor bronze
- .100" (2.54mm) Centers
- Unshrouded

*** Contact Plating:**

Plating A = Duplex plated .000030 min. gold on contact area. .0001 - .0002 min. tin on solder area, with entire post underplated .00005 min. nickel.
 Plating B = Duplex plated .000015 min. gold on contact area. .0001 - .0002 min. tin on solder area, with entire post underplated .00005 min. nickel.
 Plating C = .0001 - .0002 min. tin over .00005 nickel on entire post.

Vertical - Single Row, .100 Centerline

For quantities greater than listed, call for quote.

MOUSER STOCK NO.	TE Part No.	Fig.	No. of Pos.	Length		* Contact Plating	Price Each		
				Post	Tail		1	100	500
571-5-146281-2	5-146281-2	A	2	0.230	0.120	A			
571-5-146281-3	5-146281-3	A	3	0.230	0.120	A			
571-5-146281-4	5-146281-4	A	4	0.230	0.120	A			
571-5-146281-5	5-146281-5	A	5	0.230	0.120	A			
571-5-146281-6	5-146281-6	A	6	0.230	0.120	A			
571-5-146281-8	5-146281-8	A	8	0.230	0.120	A			
571-6-146281-0	6-146281-0	A	10	0.230	0.120	A			
571-9-146281-0	9-146281-0	A	40	0.230	0.120	A			
571-5-146280-2	5-146280-2	A	2	0.230	0.120	B			
571-5-146280-3	5-146280-3	A	3	0.230	0.120	B			
571-5-146280-4	5-146280-4	A	4	0.230	0.120	B			
571-5-146280-4	5-146280-4	A	5	0.230	0.120	B			
571-5-146280-6	5-146280-6	A	6	0.230	0.120	B			
571-5-146280-7	5-146280-7	A	7	0.230	0.120	B			
571-9-146280-0	9-146280-0	A	40	0.230	0.120	B			
571-5-146278-2	5-146278-2	A	2	0.230	0.120	C			
571-5-146278-3	5-146278-3	A	3	0.230	0.120	C			
571-5-146278-4	5-146278-4	A	4	0.230	0.120	C			
571-5-146278-5	5-146278-5	A	5	0.230	0.120	C			
571-5-146278-6	5-146278-6	A	6	0.230	0.120	C			
571-5-146278-8	5-146278-8	A	8	0.230	0.120	C			
571-6-146278-0	6-146278-0	A	10	0.230	0.120	C			
571-9-146278-0	9-146278-0	A	40	0.230	0.120	C			
571-5-146277-2	5-146277-2	A	2	0.318	0.125	A			
571-5-146277-3	5-146277-3	A	3	0.318	0.125	A			
571-5-146277-4	5-146277-4	A	4	0.318	0.125	A			
571-5-146277-5	5-146277-5	A	5	0.318	0.125	A			
571-5-146277-6	5-146277-6	A	6	0.318	0.125	A			
571-6-146277-0	6-146277-0	A	10	0.318	0.125	A			
571-7-146277-0	7-146277-0	A	20	0.318	0.125	A			
571-9-146277-0	9-146277-0	A	40	0.318	0.125	A			
571-5-146276-2	5-146276-2	A	2	0.318	0.125	B			
571-5-146276-5	5-146276-5	A	5	0.318	0.125	B			
571-5-146276-6	5-146276-6	A	6	0.318	0.125	B			
571-6-146276-0	6-146276-0	A	10	0.318	0.125	B			
571-9-146276-0	9-146276-0	A	40	0.318	0.125	B			
571-5-146274-2	5-146274-2	A	2	0.318	0.125	C			
571-5-146274-3	5-146274-3	A	3	0.318	0.125	C			
571-5-146274-4	5-146274-4	A	4	0.318	0.125	C			
571-5-146274-6	5-146274-6	A	6	0.318	0.125	C			
571-9-146274-0	9-146274-0	A	40	0.318	0.125	C			

Vertical - Double Row, .100 x .100 Centerline

For quantities greater than listed, call for quote.

MOUSER STOCK NO.	TE Part No.	Fig.	No. of Pos.	Length		* Contact Plating	Price Each		
				Post	Tail		1	100	500
571-5-146257-2	5-146257-2	B	4	0.230	0.120	A			
571-5-146257-4	5-146257-4	B	8	0.230	0.120	A			
571-5-146257-5	5-146257-5	B	10	0.230	0.120	A			
571-5-146257-6	5-146257-6	B	12	0.230	0.120	A			
571-5-146257-7	5-146257-7	B	14	0.230	0.120	A			
571-5-146257-8	5-146257-8	B	16	0.230	0.120	A			
571-6-146257-0	6-146257-0	B	20	0.230	0.120	A			
571-9-146257-0	9-146257-0	B	80	0.230	0.120	A			
571-5-146256-2	5-146256-2	B	4	0.230	0.120	B			
571-5-146256-3	5-146256-3	B	6	0.230	0.120	B			

Vertical - Double Row, .100 x .100 Centerline (Cont.)

For quantities greater than listed, call for quote.

MOUSER STOCK NO.	TE Part No.	Fig.	No. of Pos.	Length		* Contact Plating	Price Each		
				Post	Tail		1	100	500
571-5-146256-4	5-146256-4	B	8	0.230	0.120	B			
571-5-146256-5	5-146256-5	B	10	0.230	0.120	B			
571-5-146256-6	5-146256-6	B	12	0.230	0.120	B			
571-5-146256-8	5-146256-8	B	16	0.230	0.120	B			
571-6-146256-0	6-146256-0	B	20	0.230	0.120	B			
571-7-146256-0	7-146256-0	B	40	0.230	0.120	B			
571-9-146256-0	9-146256-0	B	80	0.230	0.120	B			
571-5-146254-3	5-146254-3	B	6	0.230	0.120	C			
571-5-146254-4	5-146254-4	B	8	0.230	0.120	C			
571-5-146254-5	5-146254-5	B	10	0.230	0.120	C			
571-4-103328-3	4-103328-3	B	14	0.230	0.120	C			
571-5-146254-8	5-146254-8	B	16	0.230	0.120	C			
571-7-146254-0	7-146254-0	B	40	0.230	0.120	C			
571-9-146254-0	9-146254-0	B	80	0.230	0.120	C			
571-5-146253-3	5-146253-3	B	6	0.318	0.125	A			
571-5-146253-4	5-146253-4	B	8	0.318	0.125	A			
571-5-146253-5	5-146253-5	B	10	0.318	0.125	A			
571-5-146253-7	5-146253-7	B	14	0.318	0.125	A			
571-5-146253-8	5-146253-8	B	16	0.318	0.125	A			
571-7-146253-0	7-146253-0	B	40	0.318	0.125	A			
571-9-146253-0	9-146253-0	B	80	0.318	0.125	A			
571-5-146252-3	5-146252-3	B	6	0.318	0.125	B			
571-5-146252-8	5-146252-8	B	16	0.318	0.125	B			
571-9-146252-0	9-146252-0	B	80	0.318	0.125	B			
571-5-146250-7	5-146250-7	B	14	0.318	0.125	C			
571-7-146250-0	7-146250-0	B	40	0.318	0.125	C			
571-9-146250-0	9-146250-0	B	80	0.318	0.125	C			

Right Angle Posts, Single Row, .100" Centers

For quantities greater than listed, call for quote.

MOUSER STOCK NO.	TE Part No.	Fig.	No. of Pos.	Length		* Contact Plating	Price Each		
				Post	Tail		1	100	500
571-9-146304-0	9-146304-0	C	40	0.230	0.120	A			
571-9-103329-0	9-103329-0	C	40	0.230	0.120	C			
571-9-146305-0	9-146305-0	C	40	0.318	0.110	A			
571-9-103323-0	9-103323-0	C	40	0.318	0.110	C			

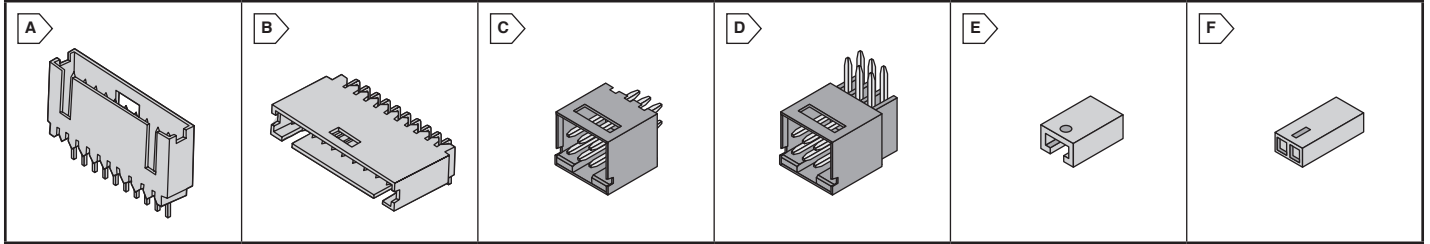
Right Angle Posts, Double Row, .100" x .100" Centers

For quantities greater than listed, call for quote.

MOUSER STOCK NO.	TE Part No.	Fig.	No. of Pos.	Length		* Contact Plating	Price Each		
				Post	Tail		1	100	500
571-9-146308-0	9-146308-0	D	80	0.230	0.120	A			
571-9-103330-0	9-103330-0	D	80	0.230	0.120	C			
571-9-146309-0	9-146309-0	D	80	0.318	0.110	A			
571-9-103324-0	9-103324-0	D	80	0.318	0.110	C			

TE Standard Profile Headers

RoHS Compliant This product is RoHS compliant.



STANDARD PROFILE HEADERS - .100" (2.54MM) CENTERS

Material:

- Housing: UL94V-0, Blk Thermoplastic
- .100" (2.54mm) Centers
- .025" Sq. Straight or Right-Angle Post
- Shrouded
- Post: Copper Alloy, plated as follows

* Contact Plating:

- 1 = Duplex plated .000030 min. gold on contact area. .0001 ~ .0002 min. tin on solder area, with entire post underplated .000050 min. nickel.
- 2 = Duplex plated .000015 min. gold on contact area. .0001 ~ .0002 min. tin on solder area, with entire post underplated .000050 min. nickel.
- 3 = .000100 ~ .000200 tin over .000050 nickel on entire post.



RoHS Compliant

.025" Sq. Straight Posts with standoffs - Single Row

For quantities greater than listed, call for quote.

MOUSER STOCK NO.	TE Part No.	Fig.	No. of Pos.	Width (mm)	*Contact Plating	Price Each	
						1	25
571-5-103414-1	5-103414-1	A	3	10.67	1		
571-8-102202-4	8-102202-4	A	3	10.67	2		
571-5-103080-1	5-103080-1	A	3	10.67	3		
571-5-103414-2	5-103414-2	A	4	13.21	1		
571-5-102202-1	5-102202-1	A	4	13.21	2		
571-5-103080-2	5-103080-2	A	4	13.21	3		
571-5-103414-3	5-103414-3	A	5	15.75	1		
571-5-102202-2	5-102202-2	A	5	15.75	2		
571-5-102202-3	5-102202-3	A	6	18.29	2		
571-5-103414-6	5-103414-6	A	8	23.37	1		
571-5-102202-5	5-102202-5	A	8	23.37	2		
571-5-103414-8	5-103414-8	A	10	28.45	1		
571-5-102202-7	5-102202-7	A	10	28.45	2		
571-6-103414-0	6-103414-0	A	12	33.53	1		
571-6-102202-1	6-102202-1	A	14	38.61	2		
571-6-102202-3	6-102202-3	A	16	43.69	2		
571-6-102202-7	6-102202-7	A	20	53.85	2		

.025" Sq. Straight Post with Detent Windows, .066" End Dim. - Double Row (Cont.)

For quantities greater than listed, call for quote.

MOUSER STOCK NO.	TE Part No.	Fig.	No. of Pos.	Width (mm)	*Contact Plating	Price Each	
						1	25
571-6-102618-0	6-102618-0	C	24	33.32	2		
571-6-103168-1	6-103168-1	C	26	35.86	1		
571-6-102618-3	6-102618-3	C	30	40.94	2		
571-6-102618-5	6-102618-5	C	34	46.02	2		
571-7-103168-3	7-103168-3	C	50	66.34	1		
571-5-103168-1	5-103168-1	C	6	10.46	1		
571-5-103166-1	5-103166-1	D	6	10.46	1		
571-5-102617-1	5-102617-1	D	6	10.46	2		
571-5-103166-2	5-103166-2	D	8	13	1		
571-5-102617-2	5-102617-2	D	8	13	2		
571-5-103166-3	5-103166-3	D	10	15.54	1		
571-5-87579-2	5-87579-2	D	10	15.54	3		
571-5-103166-4	5-103166-4	D	12	18.08	1		
571-5-102617-5	5-102617-5	D	14	20.62	2		
571-5-102617-6	5-102617-6	D	16	23.16	2		
571-5-87579-7	5-87579-7	D	20	28.24	3		
571-6-102617-0	6-102617-0	D	24	33.32	2		

.025" Sq. Right-Angle Posts with standoffs - Single Row

For quantities greater than listed, call for quote.

MOUSER STOCK NO.	TE Part No.	Fig.	No. of Pos.	Width (mm)	*Contact Plating	Price Each	
						1	25
571-8-102203-4	8-102203-4	B	3	10.67	2		
571-5-102523-2	5-102523-2	B	3	10.67	3		
571-5-103361-2	5-103361-2	B	4	13.21	1		
571-5-102523-1	5-102523-1	B	4	13.21	3		
571-5-102203-2	5-102203-2	B	5	15.75	2		
571-5-103361-4	5-103361-4	B	6	18.29	1		
571-5-102203-3	5-102203-3	B	6	18.29	2		
571-5-103361-6	5-103361-6	B	8	23.37	1		

.025" Sq. Straight Post with Detent Windows, .066" End Dim. - Double Row

For quantities greater than listed, call for quote.

MOUSER STOCK NO.	TE Part No.	Fig.	No. of Pos.	Width (mm)	*Contact Plating	Price Each	
						1	25
571-5-103168-1	5-103168-1	C	6	10.46	1		
571-5-102618-1	5-102618-1	C	6	10.46	2		
571-5-103168-2	5-103168-2	C	8	13	1		
571-5-102618-2	5-102618-2	C	8	13	2		
571-8-87589-5	8-87589-5	C	8	13	3		
571-5-103168-3	5-103168-3	C	10	15.54	1		
571-5-102618-3	5-102618-3	C	10	15.54	2		
571-5-103168-4	5-103168-4	C	12	18.08	1		
571-5-102618-4	5-102618-4	C	12	18.08	2		
571-5-103168-5	5-103168-5	C	14	20.62	1		
571-5-103168-6	5-103168-6	C	16	23.16	1		
571-5-87589-4	5-87589-4	C	16	23.16	3		
571-5-103168-8	5-103168-8	C	20	28.24	1		
571-5-102618-8	5-102618-8	C	20	28.24	2		

.025" Sq. Straight Post with Detent Windows, .150" End Dimension - Double Row

For quantities greater than listed, call for quote.

MOUSER STOCK NO.	TE Part No.	Fig.	No. of Pos.	Width (mm)	*Contact Plating	Price Each	
						1	25
571-5-103169-1	5-103169-1	C	6	14.73	1		
571-5-102619-1	5-102619-1	C	6	14.73	2		
571-5-103169-2	5-103169-2	C	8	17.27	1		
571-5-102619-2	5-102619-2	C	8	17.27	2		
571-5-103169-3	5-103169-3	C	10	19.81	1		
571-5-102619-3	5-102619-3	C	10	19.81	2		
571-5-103169-5	5-103169-5	C	14	24.89	1		
571-5-102619-5	5-102619-5	C	14	24.89	2		
571-5-102619-8	5-102619-8	C	20	32.51	2		
571-6-103169-0	6-103169-0	C	24	37.59	1		
571-6-103169-3	6-103169-3	C	30	45.21	1		
571-6-103169-5	6-103169-5	C	34	50.29	1		
571-6-102619-5	6-102619-5	C	34	50.29	2		
571-6-103169-8	6-103169-8	C	40	57.91	1		

.025" Sq. Right-Angle Post with Detent Windows, .150" End Dimension - Double Row

For quantities greater than listed, call for quote.

MOUSER STOCK NO.	TE Part No.	Fig.	No. of Pos.	Width (mm)	*Contact Plating	Price Each	
						1	25
571-5-103167-2	5-103167-2	D	10	19.81	1		
571-5-103167-7	5-103167-7	D	20	32.51	1		
571-6-102570-0	6-102570-0	D	24	37.59	2		
571-6-103167-0	6-103167-0	D	26	40.13	1		

SHUNTS

- Packaged: strips of 10, priced individually
- Housing: 94V-0 glass-filled black thermoplastic
- .100" centerline
- Contacts: phosphor bronze



RoHS Compliant

2 Position, Low Profile Shunt

For quantities greater than listed, call for quote.

MOUSER STOCK NO.	TE Part No.	Fig.	Plating	Price Each	
				1	100
571-2-382811-1	2-382811-1	E	Tin		

Dual Beam Shunts

For quantities greater than listed, call for quote.

MOUSER STOCK NO.	TE Part No.	Fig.	Plating	Price Each	
				1	100
571-3900881	390088-1	F	30µ" gold		
571-3900882	390088-2	F	15µ" gold		

TE Standard Profile Headers

RoHS Compliant This product is RoHS compliant.

STANDARD PROFILE HEADERS UNSHROUDED .100" (2.54MM) CENTERS

Material:

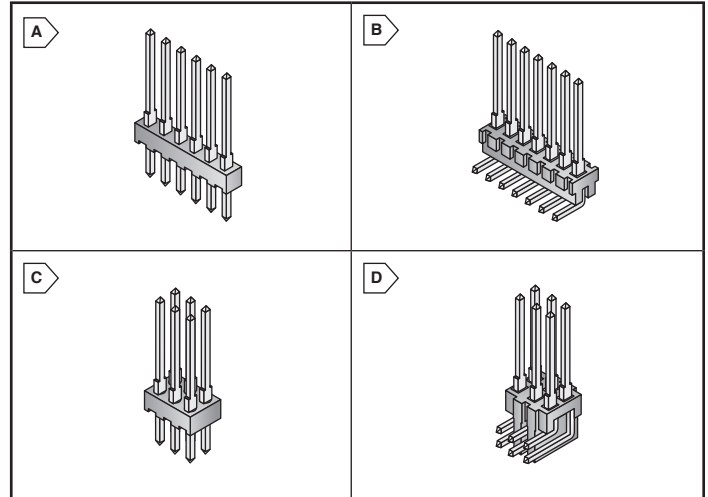
- Housing: Black Thermoplastic, flame retardant, UL94V-0 rated
- Mating length for single and double row is .318 (8.08)

* Contact Plating:

- 1= Selectively plated .00003 (0.00076) gold on contact area with gold flash over .000050 (0.00127) nickel on entire post
- 2= Selectively plated .000015 (0.00038) gold on contact area with gold flash over .000050 (0.00127) nickel on entire post

For quantities greater than listed, call for quote.

MOUSER STOCK NO.	TE Part No.	Fig.	No. of Pos.	Width (mm)	*Contact Plating	Price Each	
						1	25
.025" Square Straight Posts - Single Row							
571-872241	87224-1	A	1	2.13	2		
571-872202	87220-2	A	2	4.67	1		
571-872242	87224-2	A	2	4.67	2		
571-87220-3	87220-3	A	3	7.21	1		
571-872243	87224-3	A	3	7.21	2		
571-872244	87224-4	A	4	9.75	2		
571-872207	87220-7	A	7	17.37	1		
571-872208	87220-8	A	8	19.91	1		
571-872248	87224-8	A	8	19.91	2		
571-1872200	1-87220-0	A	10	24.99	1		
571-1872240	1-87224-0	A	10	24.99	2		
571-2872240	2-87224-0	A	20	50.39	2		
571-4872240	4-87224-0	A	40	101.19	2		
.025" Square Right-Angle Post - Single Row							
571-872328	87232-8	B	8	19.91	1		
571-1872330	1-87233-0	B	10	24.99	2		
.025" Square Straight Post - Double Row							
571-1872150	1-87215-0	C	2	2.13	1		
571-872271	87227-1	C	2	2.13	2		
571-1872151	1-87215-1	C	4	4.67	1		
571-872272	87227-2	C	4	4.67	2		
571-1872152	1-87215-2	C	6	7.21	1		
571-872273	87227-3	C	6	7.21	2		
571-872151	87215-1	C	8	9.75	1		
571-872274	87227-4	C	8	9.75	2		
571-872152	87215-2	C	10	12.29	1		
571-872275	87227-5	C	10	12.29	2		
571-872154	87215-4	C	14	17.37	1		
571-872277	87227-7	C	14	17.37	2		
571-872155	87215-5	C	16	19.91	1		
571-872278	87227-8	C	16	19.91	2		
571-872157	87215-7	C	20	24.99	1		
571-1872270	1-87227-0	C	20	24.99	2		
571-872159	87215-9	C	26	32.61	1		
571-1872273	1-87227-3	C	26	32.61	2		
571-1872157	1-87215-7	C	34	42.77	1		
571-1872277	1-87227-7	C	34	42.77	2		
571-2872155	2-87215-5	C	50	63.09	1		



.025" Square Right-Angle Post - Double Row

For quantities greater than listed, call for quote.

MOUSER STOCK NO.	TE Part No.	Fig.	No. of Pos.	Width (mm)	*Contact Plating	Price Each	
						1	25
571-872303	87230-3	D	6	7.21	2		
571-872304	87230-4	D	8	9.75	2		
571-872306	87230-6	D	12	14.83	2		
571-864792	86479-2	D	16	19.91	1		
571-872308	87230-8	D	16	19.91	2		
571-1872300	1-87230-0	D	20	24.99	2		
571-1872302	1-87230-2	D	24	30.07	2		

TE Connectivity Rectangular Connectors

AMP-LATCH NOVO CONNECTORS

Features:

- Mates with .025" square or round pin, .245" max. post length
- IDC for fast, economical mass termination
- Tuning fork contact offers a military approved design at an economical cost

Specifications:

- Current rating: 1A per contact max.
- Insulation resistance: 5000MQ min.
- Termination resistance: 15mΩ max.
- Operating temperature range: -65°C to +105°C

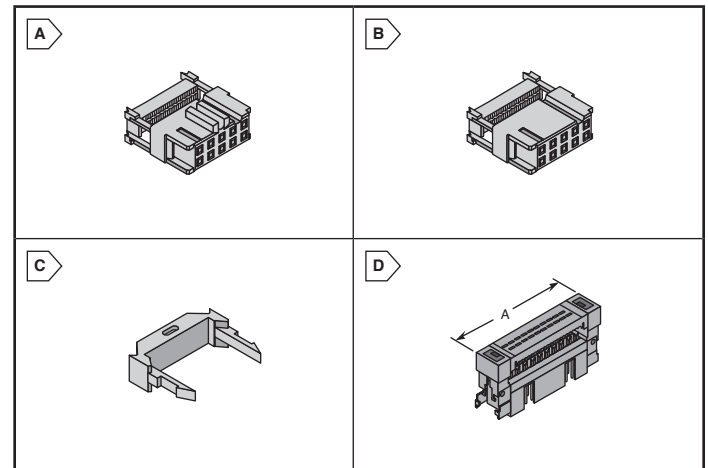
For quantities greater than listed, call for quote.

MOUSER STOCK NO.	TE Part No.	Fig.	No. of Pos.	Price Each		
				1	10	100
Center / Military Polarized Receptacles						
571-1658621-1	1658621-1	A	10			
571-1658621-2	1658621-2	A	14			
571-1658621-3	1658621-3	A	16			
571-1658621-4	1658621-4	A	20			
571-1658621-5	1658621-5	A	24			
571-1658621-6	1658621-6	A	26			
571-1658621-7	1658621-7	A	30			
571-1658621-8	1658621-8	A	34			
571-1658621-9	1658621-9	A	40			
571-1-1658621-1	1-1658621-1	A	60			
Military Polarized Receptacles						
571-1658620-1	1658620-1	B	10			
571-1658620-2	1658620-2	B	14			
571-1658620-3	1658620-3	B	16			
571-1658620-4	1658620-4	B	20			
571-1658620-5	1658620-5	B	24			
571-1658620-6	1658620-6	B	26			
571-1658620-7	1658620-7	B	30			
571-1658620-8	1658620-8	B	34			
571-1658620-9	1658620-9	B	40			
571-1-1658620-0	1-1658620-0	B	50			

Strain Reliefs

For quantities greater than listed, call for quote.

571-4992525	499252-5	C	10			
571-4992529	499252-9	C	14			
571-4992528	499252-8	C	16			
571-499252-2	499252-2	C	20			
571-14992520	1-499252-0	C	24			
571-499252-3	499252-3	C	26			
571-14992522	1-499252-2	C	30			
571-4992526	499252-6	C	34			
571-4992521	499252-1	C	40			
571-4992524	499252-4	C	50			
571-4992527	499252-7	C	60			



AMP-LATCH UNIVERSAL .050 IDC I/O PIN CONNECTOR

Features:

- .100 X .100 Footprint
- 30µ" Gold
- Tin Solder Tail Contact Plating
- Black thermoplastic, UL94V-0 rated
- No Mounting Ears

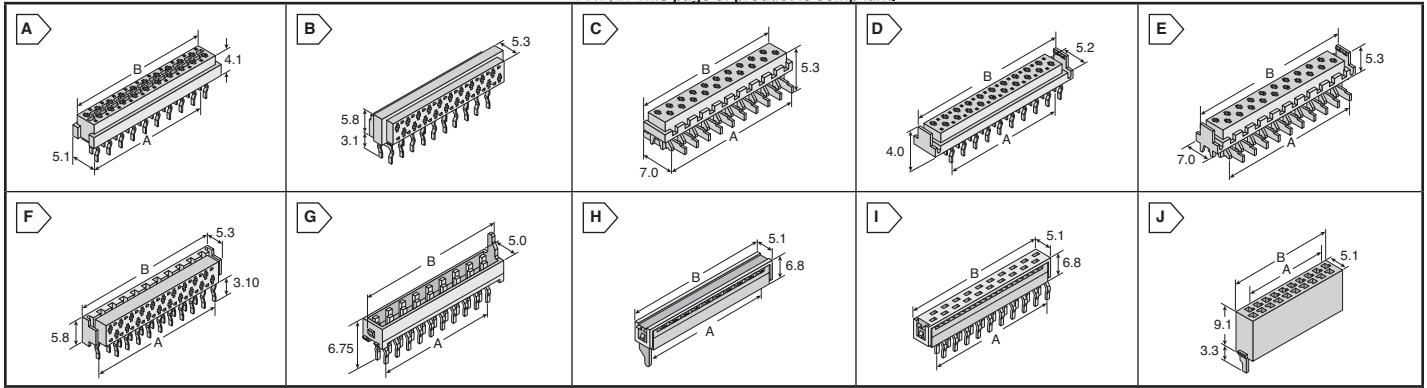


For quantities greater than listed, call for quote.

MOUSER STOCK NO.	TE Part No.	Fig.	No. of Pos.	Dim. A In. (mm)	Price Each		
					1	10	100
571-1-111446-4	1-111446-4	D	10	1.072 (27.23)			
571-1-111446-6	1-111446-6	D	16	1.372 (34.85)			
571-2-111446-0	2-111446-0	D	26	1.872 (47.55)			
571-2-111446-2	2-111446-2	D	34	2.272 (57.71)			
571-1-111446-7	1-111446-7	D	50	3.072 (78.03)			

TE Micro-MaTch Connectors

RoHS Compliant This page of product is compliant.



Features/Benefits:

- One of the smallest systems available at 1.27mm
- UL-recognized: File No. E28476, Vol. 23, Section 4
- High performance/cost ratio
- Tin plated contact design
- Fretting corrosion proof thanks to additional positioning spring member
- Fully plated contacts: no bare edges and no migration of corrosion products

Applications:

- Automotive
- Car radios
- Navigation systems
- Dashboard systems
- Consumer electronics
- Communication equipment: base stations and phones
- Instrumentation and measuring equipment
- Set top boxes
- High end audio and musical
- High end CTV

DIMENSIONS: mm



FEMALE-ON-BOARD CONNECTORS

Mates with: 338095, 215083, 215464

Thru Hole Vertical

For quantities greater than listed, call for quote.

MOUSER STOCK NO.	TE Part No.	Fig.	No. of Positions	Dimensions: mm		Price Each		
				A	B	1	25	50
571-215079-4	215079-4	A	4	3.81	7.10			
571-215079-6	215079-6	A	6	6.35	9.70			
571-215079-8	215079-8	A	8	8.89	12.20			
571-1-215079-2	1-215079-2	A	12	13.97	17.30			

Thru Hole Right Angle

For quantities greater than listed, call for quote.

MOUSER STOCK NO.	TE Part No.	Fig.	No. of Positions	Dimensions: mm		Price Each		
				A	B	1	25	50
571-8-215460-4	8-215460-4	B	14	16.51	19.80			
571-2-215460-0	2-215460-0	B	20	24.13	27.40			

SMT Vertical

For quantities greater than listed, call for quote.

MOUSER STOCK NO.	TE Part No.	Fig.	No. of Positions	Dimensions: mm		Price Each		
				A	B	1	25	50
571-1-188275-4	188275-4	C	4	3.81	7.10			
571-1-188275-6	188275-6	C	6	6.35	9.70			
571-1-188275-2	1-188275-2	C	12	13.97	17.30			

FEMALE-ON-BOARD LOCKING CONNECTORS

Mates with: 338095, 215083, 215464

Thru Hole Vertical

For quantities greater than listed, call for quote.

MOUSER STOCK NO.	TE Part No.	Fig.	No. of Positions	Dimensions: mm		Price Each		
				A	B	1	25	50
571-1-338068-0	1-338068-0	D	10	11.43	17.30			
571-1-338068-8	1-338068-8	D	18	21.59	27.40			
571-2-338068-0	2-338068-0	D	20	24.13	30.00			

Thru Hole Right Angle

For quantities greater than listed, call for quote.

MOUSER STOCK NO.	TE Part No.	Fig.	No. of Positions	Dimensions: mm		Price Each		
				A	B	1	25	50
571-338070-4	338070-4	E	4	3.81	9.70			
571-338070-6	338070-6	E	6	6.35	12.20			
571-338070-8	338070-8	E	8	8.89	14.70			

SMT Vertical

For quantities greater than listed, call for quote.

MOUSER STOCK NO.	TE Part No.	Fig.	No. of Positions	Dimensions: mm		Price Each		
				A	B	1	25	50
571-338069-8	338069-8	F	8	8.89	14.70			
571-1-338069-2	1-338069-2	F	12	13.97	19.80			
571-1-338069-6	1-338069-6	F	16	19.05	24.90			
571-1-338069-8	1-338069-8	F	18	21.59	27.40			
571-2-338069-0	2-338069-0	F	20	24.13	30.00			

CONTACTS

For quantities greater than listed, call for quote.

MOUSER STOCK NO.	TE Part No.	Description	Price Each			
			1	25	50	100
571-1-338096-1	1-338096-1	Contact 28-24 AWG				
571-1-338097-1	1-338097-1	Contact 24-20 AWG				

© Copyright 2014 Mouser Electronics

THRU HOLE MALE-ON-BOARD CONNECTORS -VERTICAL

For quantities greater than listed, call for quote.

MOUSER STOCK NO.	TE Part No.	Fig.	No. of Positions	Dimensions: mm		Price Each		
				A	B	1	25	50
571-215464-4	215464-4	G	4	3.81	8.20			
571-215464-6	215464-6	G	6	6.35	10.70			
571-215464-8	215464-8	G	8	8.89	13.30			
571-1-215464-2	1-215464-2	G	12	13.97	18.30			
571-1-215464-4	1-215464-4	G	14	16.51	20.80			
571-1-215464-8	1-215464-8	G	18	21.59	25.90			
571-2-215464-0	2-215464-0	G	20	24.13	28.40			

Mates with: 215079, 215460, 188275, 215079, 338068, 338069, 3380701

MALE-ON-WIRE CONNECTORS

For quantities greater than listed, call for quote.

MOUSER STOCK NO.	TE Part No.	Fig.	No. of Positions	Dimensions: mm		Price Each		
				A	B	1	25	50
571-215083-4	215083-4	H	4	3.81	8.60			
571-215083-6	215083-6	H	6	6.35	11.10			
571-1-215083-0	1-215083-0	H	10	11.43	16.20			

Mates with: 215079, 215460, 188275, 215079, 338068, 338069, 3380701

THRU HOLE MALE PADDLE BOARD CONNECTORS - VERTICAL

For quantities greater than listed, call for quote.

MOUSER STOCK NO.	TE Part No.	Fig.	No. of Positions	Dimensions: mm		Price Each		
				A	B	1	25	50
571-215570-4	215570-4	I	4	3.81	8.60			
571-215570-8	215570-8	I	8	8.89	13.60			
571-2-215570-0	1-215570-0	I	10	11.43	16.20			

No mate; direct soldering of ribbon cable onto the PC Board

CRIMP ON SNAP IN (COSI) CONNECTORS

For quantities greater than listed, call for quote.

MOUSER STOCK NO.	TE Part No.	Fig.	No. of Positions	Dimensions: mm		Price Each		
				A	B	1	25	50
571-338095-8	338095-8	J	8	8.89	13.50			
571-1-338095-0	1-338095-0	J	10	11.43	16.00			
571-1-338095-2	1-338095-2	J	12	13.97	18.50			
571-1-338095-4	1-338095-4	J	14	16.51	21.10			
571-1-338095-6	1-338095-6	J	16	19.05	23.60			
571-1-338095-8	1-338095-8	J	18	21.59	26.20			
571-2-338095-0	2-338095-0	J	20	24.13	28.70			

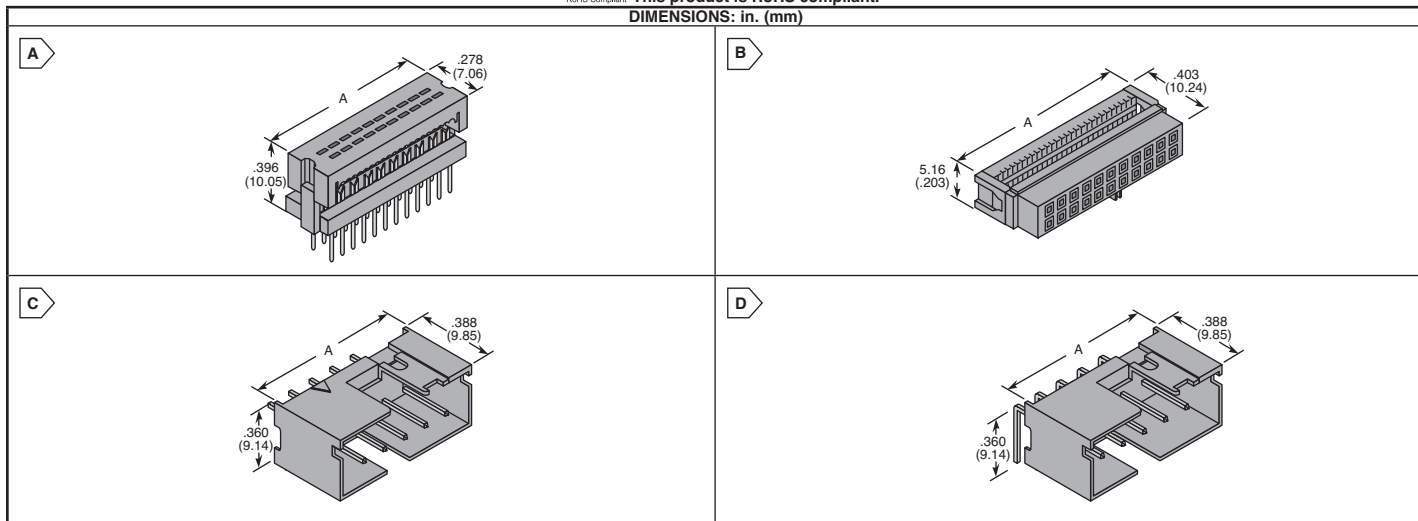
Mates with: 215079, 215460, 188275, 215079, 338068, 338069, 3380701

Contacts: 338096-1, 338097-1

© Copyright 2014 Mouser Electronics

TE Rectangular Connectors

RoHS Compliant This product is RoHS compliant.
DIMENSIONS: in. (mm)



TE .050 CENTERLINE IDC DIP PLUGS

Specifications:

- .100 x .100 Footprint
- Black thermoplastic, UL94V-0 rated
- Tin Plated

RoHS Compliant

For quantities greater than listed, call for quote.

MOUSER STOCK NO.	TE Part No.	Fig.	No. of Pos.	Dimension A in. (mm)	Price Each		
					1	10	100
571-2-746610-1	2-746610-1	A	10	0.68 (17.27)			
571-2-746610-2	2-746610-2	A	14	0.88 (22.35)			
571-1-746610-4	1-746610-4	A	16	0.98 (24.89)			
571-1-746610-5	1-746610-5	A	20	1.18 (29.97)			
571-2-746610-3	2-746610-3	A	24	1.38 (35.05)			
571-1-746610-6	1-746610-6	A	26	1.48 (37.59)			
571-1-746610-7	1-746610-7	A	30	1.68 (42.67)			
571-1-746610-8	1-746610-8	A	34	1.88 (47.75)			
571-1-746610-9	1-746610-9	A	40	2.18 (55.37)			
571-2-746610-0	2-746610-0	A	50	2.68 (68.07)			
571-2-746610-4	2-746610-4	A	60	3.18 (80.77)			
571-2-746610-5	2-746610-5	A	64	3.38 (85.85)			

TE 1MM CENTERLINE IDC RECEPTACLE ASSEMBLIES

Specifications:

- .2mm x 2mm Footprint
- Polarized
- Black Polyester, UL94V-0 Rated
- 30µ" Plated

RoHS Compliant

For quantities greater than listed, call for quote.

MOUSER STOCK NO.	TE Part No.	Fig.	No. of Pos.	Dimension A in. (mm)	Price Each		
					1	10	100
571-1-111623-8	1-111623-8	B	10	0.597 (15.16)			
571-1-111623-9	1-111623-9	B	14	0.755 (19.18)			
571-2-111623-0	2-111623-0	B	16	0.834 (21.18)			
571-2-111623-1	2-111623-1	B	20	0.991 (25.17)			
571-2-111623-7	2-111623-7	B	24	1.149 (29.18)			
571-2-111623-2	2-111623-2	B	26	1.227 (31.17)			
571-2-111623-3	2-111623-3	B	30	1.385 (35.18)			
571-2-111623-4	2-111623-4	B	40	1.779 (45.19)			
571-2-111623-5	2-111623-5	B	44	1.936 (49.17)			
571-2-111623-6	2-111623-6	B	50	2.172 (55.17)			

TE LOW PROFILE HEADERS

Specifications:

- Center, Dual Polarizing Bar
- Black thermoplastic, UL94V-0 rated

RoHS Compliant

Vertical Headers, 15µ" Gold

For quantities greater than listed, call for quote.

MOUSER STOCK NO.	TE Part No.	Fig.	No. of Pos.	Dimension A in. (mm)	Price Each		
					1	10	100
571-5103308-1	5103308-1	C	10	0.80 (20.32)			
571-5103308-2	5103308-2	C	14	1.00 (25.40)			
571-5103308-3	5103308-3	C	16	1.10 (27.94)			
571-5103308-5	5103308-5	C	20	1.30 (33.02)			
571-1-5103308-3	1-5103308-3	C	24	1.50 (38.10)			
571-5103308-6	5103308-6	C	26	1.60 (40.64)			
571-5103308-7	5103308-7	C	34	2.00 (50.80)			
571-5103308-8	5103308-8	C	40	2.30 (58.42)			
571-1-5103308-0	1-5103308-0	C	50	2.80 (71.12)			
571-1-5103308-2	1-5103308-2	C	60	3.30 (83.82)			

TE LOW PROFILE HEADERS (CONT.)

Specifications:

- Center, Dual Polarizing Bar
- Black thermoplastic, UL94V-0 rated



RoHS Compliant

Vertical Headers, 30µ" Gold

For quantities greater than listed, call for quote.

MOUSER STOCK NO.	TE Part No.	Fig.	No. of Pos.	Dimension A in. (mm)	Price Each		
					1	10	100
571-5103309-1	5103309-1	C	10	0.80 (20.32)			
571-5103309-2	5103309-2	C	14	1.00 (25.40)			
571-5103309-3	5103309-3	C	16	1.10 (27.94)			
571-5103309-5	5103309-5	C	20	1.30 (33.02)			
571-5103309-6	5103309-6	C	26	1.60 (40.64)			
571-5103309-7	5103309-7	C	34	2.00 (50.80)			
571-5103309-8	5103309-8	C	40	2.30 (58.42)			
571-1-5103309-0	1-5103309-0	C	50	2.80 (71.12)			

Right Angle Headers, 15µ" Gold



RoHS Compliant

For quantities greater than listed, call for quote.

MOUSER STOCK NO.	TE Part No.	Fig.	No. of Pos.	Dimension A in. (mm)	Price Each		
					1	10	100
571-5103310-1	5103310-1	D	10	0.80 (20.32)			
571-5103310-2	5103310-2	D	14	1.00 (25.40)			
571-5103310-3	5103310-3	D	16	1.10 (27.94)			
571-5103310-5	5103310-5	D	20	1.30 (33.02)			
571-5103310-6	5103310-6	D	26	1.60 (40.64)			
571-5103310-7	5103310-7	D	34	2.00 (50.80)			
571-5103310-8	5103310-8	D	40	2.30 (58.42)			
571-1-5103310-0	1-5103310-0	D	50	2.80 (71.12)			

Right Angle Headers, 30µ" Gold



RoHS Compliant

For quantities greater than listed, call for quote.

MOUSER STOCK NO.	TE Part No.	Fig.	No. of Pos.	Dimension A in. (mm)	Price Each		
					1	10	100
571-5103311-1	5103311-1	D	10	0.80 (20.32)			
571-5103311-2	5103311-2	D	14	1.00 (25.40)			
571-5103311-3	5103311-3	D	16	1.10 (27.94)			
571-5103311-5	5103311-5	D	20	1.30 (33.02)			
571-5103311-6	5103311-6	D	26	1.60 (40.64)			
571-5103311-7	5103311-7	D	34	2.00 (50.80)			
571-5103311-8	5103311-8	D	40	2.30 (58.42)			
571-1-5103311-0	1-5103311-0	D	60	3.30 (83.82)			

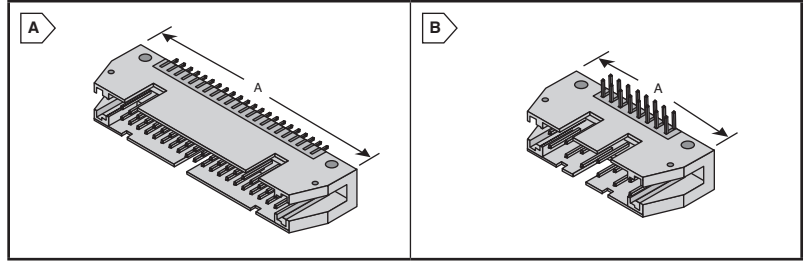
TE .100"x .100" Latch/Ejector Headers



This product is RoHS compliant.

Features:

- Dual-Polarized Universal Ejection-Style Pin Headers
- .100 x .100" (2.54 x 2.54mm) Centers
- Straight-Thru or Right-Angle .025" (0.64mm) Square Posts
- .240" (6.10mm) Mating Post Length
- Certified under the Component Program of Underwriters Laboratories Inc. File No. E28476
- Certified by the Canadian Standards Association, File No. LR 7189
- Current Rating: 1A
- Housing Material: Thermoplastic, UL94V-0 Rated
- Temperature Range: -55°C - +105°C



VERTICAL HEADERS

Without Latches

For quantities greater than listed, call for quote.

MOUSER STOCK NO.	TE Part No.	Fig.	No. of Pos.	Contact Gold Plating	Dimension A In. (mm)	Price Each		
						1	10	100
571-5102153-1	5102153-1	A	10	15µ"	1.26 (32.00)			
571-5102154-1	5102154-1	A	10	30µ"	1.26 (32.00)			
571-5102153-2	5102153-2	A	14	15µ"	1.46 (37.08)			
571-5102154-2	5102154-2	A	14	30µ"	1.46 (37.08)			
571-5102153-3	5102153-3	A	16	15µ"	1.56 (39.62)			
571-5102154-3	5102154-3	A	16	30µ"	1.56 (39.62)			
571-5102153-4	5102153-4	A	20	15µ"	1.76 (44.70)			
571-5102154-4	5102154-4	A	20	30µ"	1.76 (44.70)			
571-5102153-5	5102153-5	A	24	15µ"	1.96 (49.78)			
571-5102153-6	5102153-6	A	26	15µ"	2.06 (52.32)			
571-5102154-6	5102154-6	A	26	30µ"	2.06 (52.32)			
571-5102154-8	5102154-8	A	34	30µ"	2.46 (62.48)			
571-5102153-9	5102153-9	A	40	15µ"	2.76 (70.10)			
571-5102154-9	5102154-9	A	40	30µ"	2.76 (70.10)			
571-1-5102153-0	1-5102153-0	A	50	15µ"	3.26 (82.80)			
571-1-5102154-0	1-5102154-0	A	50	30µ"	3.26 (82.80)			
571-1-5102154-1	1-5102154-1	A	60	30µ"	3.76 (95.50)			
571-1-5102153-2	1-5102153-2	A	64	15µ"	3.96 (100.58)			

With Short Latches

- Used for receptacles without strain relief

For quantities greater than listed, call for quote.

MOUSER STOCK NO.	TE Part No.	Fig.	No. of Pos.	Contact Gold Plating	Dimension A In. (mm)	Price Each		
						1	10	100
571-5499910-1	5499910-1	A	10	15µ"	1.26 (32.00)			
571-5499160-1	5499160-1	A	10	30µ"	1.26 (32.00)			
571-5499910-2	5499910-2	A	14	15µ"	1.46 (37.08)			
571-5499910-3	5499910-3	A	16	15µ"	1.56 (39.62)			
571-5499160-3	5499160-3	A	16	30µ"	1.56 (39.62)			
571-5499910-4	5499910-4	A	20	15µ"	1.76 (44.70)			
571-5499910-5	5499910-5	A	24	15µ"	1.96 (49.78)			
571-5499910-6	5499910-6	A	26	15µ"	2.06 (52.32)			
571-5499910-8	5499910-8	A	34	15µ"	2.46 (62.48)			
571-5499910-9	5499910-9	A	40	15µ"	2.76 (70.10)			
571-5499160-9	5499160-9	A	40	30µ"	2.76 (70.10)			
571-1-5499910-0	1-5499910-0	A	50	15µ"	3.26 (82.80)			
571-1-5499160-0	1-5499160-0	A	50	30µ"	3.26 (82.80)			

With Long Latches

- Used for receptacles with strain relief

For quantities greater than listed, call for quote.

MOUSER STOCK NO.	TE Part No.	Fig.	No. of Pos.	Contact Gold Plating	Dimension A In. (mm)	Price Each		
						1	10	100
571-5499922-1	5499922-1	A	10	15µ"	1.26 (32.00)			
571-5499206-1	5499206-1	A	10	30µ"	1.26 (32.00)			
571-5499922-2	5499922-2	A	14	15µ"	1.46 (37.08)			
571-5499206-2	5499206-2	A	14	30µ"	1.46 (37.08)			
571-5499922-3	5499922-3	A	16	15µ"	1.56 (39.62)			
571-5499206-3	5499206-3	A	16	30µ"	1.56 (39.62)			
571-5499922-4	5499922-4	A	20	15µ"	1.76 (44.70)			
571-5499206-4	5499206-4	A	20	30µ"	1.76 (44.70)			
571-5499922-5	5499922-5	A	24	15µ"	1.96 (49.78)			
571-5499206-6	5499206-6	A	26	30µ"	2.06 (52.32)			
571-5499922-8	5499922-8	A	34	15µ"	2.46 (62.48)			
571-5499922-9	5499922-9	A	40	15µ"	2.76 (70.10)			
571-5499206-9	5499206-9	A	40	30µ"	2.76 (70.10)			
571-1-5499206-0	1-5499206-0	A	50	30µ"	3.26 (82.80)			

RIGHT ANGLE HEADERS

Without Latches

For quantities greater than listed, call for quote.

MOUSER STOCK NO.	TE Part No.	Fig.	No. of Pos.	Contact Gold Plating	Dimension A In. (mm)	Price Each		
						1	10	100
571-5102159-1	5102159-1	B	10	15µ"	1.26 (32.00)			
571-5102160-1	5102160-1	B	10	30µ"	1.26 (32.00)			
571-5102159-2	5102159-2	B	14	15µ"	1.46 (37.08)			
571-5102159-3	5102159-3	B	16	15µ"	1.56 (39.62)			
571-5102160-3	5102160-3	B	16	30µ"	1.56 (39.62)			
571-5102159-4	5102159-4	B	20	15µ"	1.76 (44.70)			
571-5102160-4	5102160-4	B	20	30µ"	1.76 (44.70)			
571-5102160-5	5102160-5	B	24	30µ"	1.96 (49.78)			
571-5102159-6	5102159-6	B	26	15µ"	2.06 (52.32)			
571-5102160-6	5102160-6	B	26	30µ"	2.06 (52.32)			
571-5102160-8	5102160-8	B	34	30µ"	2.46 (62.48)			
571-5102160-9	5102160-9	B	40	30µ"	2.76 (70.10)			
571-1-5102160-0	1-5102160-0	B	50	30µ"	3.26 (82.80)			

With Short Latches

- Used for receptacles without strain relief

For quantities greater than listed, call for quote.

MOUSER STOCK NO.	TE Part No.	Fig.	No. of Pos.	Contact Gold Plating	Dimension A In. (mm)	Price Each		
						1	10	100
571-5499913-1	5499913-1	B	10	15µ"	1.26 (32.00)			
571-5499345-1	5499345-1	B	10	30µ"	1.26 (32.00)			
571-5499913-2	5499913-2	B	14	15µ"	1.46 (37.08)			
571-5499913-3	5499913-3	B	16	15µ"	1.56 (39.62)			
571-5499913-4	5499913-4	B	20	15µ"	1.76 (44.70)			
571-5499913-8	5499913-8	B	34	15µ"	2.46 (62.48)			
571-5499913-9	5499913-9	B	40	15µ"	2.76 (70.10)			

With Long Latches

- Used for receptacles with strain relief

For quantities greater than listed, call for quote.

MOUSER STOCK NO.	TE Part No.	Fig.	No. of Pos.	Contact Gold Plating	Dimension A In. (mm)	Price Each		
						1	10	100
571-5499786-1	5499786-1	B	10	15µ"	1.26 (32.00)			
571-5499141-1	5499141-1	B	10	30µ"	1.26 (32.00)			
571-5499786-2	5499786-2	B	14	15µ"	1.46 (37.08)			
571-5499141-2	5499141-2	B	14	30µ"	1.46 (37.08)			
571-5499141-3	5499141-3	B	16	30µ"	1.56 (39.62)			
571-5499786-4	5499786-4	B	20	15µ"	1.76 (44.70)			
571-5499141-4	5499141-4	B	20	30µ"	1.76 (44.70)			
571-5499786-5	5499786-5	B	24	15µ"	1.96 (49.78)			
571-5499786-6	5499786-6	B	26	15µ"	2.06 (52.32)			
571-5499141-6	5499141-6	B	26	30µ"	2.06 (52.32)			
571-5499786-8	5499786-8	B	34	15µ"	2.46 (62.48)			
571-5499141-8	5499141-8	B	34	30µ"	2.46 (62.48)			
571-5499786-9	5499786-9	B	40	15µ"	2.76 (70.10)			
571-5499141-9	5499141-9	B	40	30µ"	2.76 (70.10)			
571-1-5499786-0	1-5499786-0	B	50	15µ"	3.26 (82.80)			
571-1-5499141-0	1-5499141-0	B	50	30µ"	3.26 (82.80)			
571-1-5499786-2	1-5499786-2	B	64	15µ"	3.96 (100.58)			

EJECTOR LATCHES

2 required per header

For quantities greater than listed, call for quote.

MOUSER STOCK NO.	TE Part No.	Description	Price Each				
			1	10	100	500	1000
571-1023121	102312-1	Short					
571-1023201	102320-1	Long					

TE Interconnection System

RoHS Compliant This product is RoHS compliant.

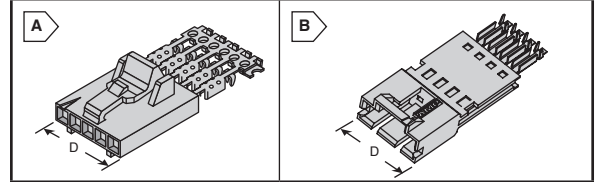
Material and Finish:

- .100" 2.54mm centerlines
- Housing: Black thermoplastic, UL94V-0 rated
- Contacts: Phosphor Bronze, plated as follows:

Plating Code:

- A: Duplex plated .000030 (0.00076) gold on contact area .000050 (0.00127) min. tin in crimp area, with entire contact underplated .000050 (0.00127) nickel.
 B: Duplex plated .000015 (0.00038) gold on contact area .000050 (0.00127) min. tin in crimp area, with entire contact underplated .000050 (0.00127) nickel.
 C: .000100 (0.00254) bright tin over .000050 (0.00127) nickel on entire contact

Insulation displacement contacts accept an insulation diameter of .030 (0.76) min. to .054 (1.37) max. with an insulation wall thickness of .015 (0.38) max. Mating post length for preloaded housings is .200 (5.08) min., .250 (6.35) max.



MTE RECEPTACLE ASSEMBLIES - STRIP FORM, POLARIZED/LATCHING, SINGLE-ROW, 26-22 AWG WIRE

* Mates with polarized/latching headers as well as polarized/latching pin assemblies

For quantities greater than listed, call for quote.

MOUSER STOCK NO.	TE Part No.	Fig.	No. of Positions	Housing Qty. Per Strip Segment	Plating	"D" Dimensions: in. (mm)	Price Each			
							1	25	50	100
571-5-103958-1	5-103958-1	A	2	10	A	.198 (5.03)				
571-5-103957-1	5-103957-1	A	2	10	B	.198 (5.03)				
571-5-103956-1	5-103956-1	A	2	10	C	.198 (5.03)				
571-1042571	104257-1	A	2	10	Unloaded Housings	.198 (5.03)				
571-5-103958-2	5-103958-2	A	3	8	A	.298 (7.57)				
571-5-103957-2	5-103957-2	A	3	8	B	.298 (7.57)				
571-5-103956-2	5-103956-2	A	3	8	C	.298 (7.57)				
571-104257-2	104257-2	A	3	8	Unloaded Housings	.298 (7.57)				
571-5-103958-3	5-103958-3	A	4	5	A	.398 (10.11)				
571-5-103957-3	5-103957-3	A	4	5	B	.398 (10.11)				
571-5-103956-3	5-103956-3	A	4	5	C	.398 (10.11)				
571-104257-3	104257-3	A	4	5	Unloaded Housings	.398 (10.11)				
571-5-103958-4	5-103958-4	A	5	4	A	.498 (12.65)				
571-5-103957-4	5-103957-4	A	5	4	B	.498 (12.65)				
571-5-103956-4	5-103956-4	A	5	4	C	.498 (12.65)				
571-104257-4	104257-4	A	5	4	Unloaded Housings	.498 (12.65)				
571-5-103958-5	5-103958-5	A	6	4	A	.598 (15.19)				
571-5-103957-5	5-103957-5	A	6	4	B	.598 (15.19)				
571-5-103956-5	5-103956-5	A	6	4	C	.598 (15.19)				
571-104257-5	104257-5	A	6	4	Unloaded Housings	.598 (15.19)				
571-5-103958-6	5-103958-6	A	7	2	A	.698 (17.73)				
571-5-103957-6	5-103957-6	A	7	2	B	.698 (17.73)				
571-5-103956-6	5-103956-6	A	7	2	C	.698 (17.73)				
571-104257-6	104257-6	A	7	2	Unloaded Housings	.698 (17.73)				
571-5-103958-7	5-103958-7	A	8	2	A	.798 (20.27)				
571-5-103957-7	5-103957-7	A	8	2	B	.798 (20.27)				
571-5-103956-7	5-103956-7	A	8	2	C	.798 (20.27)				
571-104257-7	104257-7	A	8	2	Unloaded Housings	.798 (20.27)				
571-5-103958-8	5-103958-8	A	9	2	A	.898 (22.81)				
571-5-103957-8	5-103957-8	A	9	2	B	.898 (22.81)				
571-5-103956-8	5-103956-8	A	9	2	C	.898 (22.81)				
571-104257-8	104257-8	A	9	2	Unloaded Housings	.898 (22.81)				
571-5-103958-9	5-103958-9	A	10	2	A	.998 (23.35)				
571-5-103957-9	5-103957-9	A	10	2	B	.998 (23.35)				
571-5-103956-9	5-103956-9	A	10	2	C	.998 (23.35)				
571-104257-9	104257-9	A	10	2	Unloaded Housings	.998 (23.35)				

MTE PIN ASSEMBLIES, SHROUDED, STRIP FORM, POLARIZED/LATCHING, SINGLE-ROW, 26-22 AWG WIRE

* Mates with polarized/latching receptacle assemblies

For quantities greater than listed, call for quote.

MOUSER STOCK NO.	TE Part No.	Fig.	No. of Positions	Housing Qty. Per Strip Segment	Plating	"D" Dimensions: in. (mm)	Price Each			
							1	25	50	100
571-5-103946-1	5-103946-1	B	2	8	A	.295 (7.49)				
571-5-103945-1	5-103945-1	B	2	8	B	.295 (7.49)				
571-5-103944-1	5-103944-1	B	2	8	C	.295 (7.49)				
571-1036531	103653-1	B	2	8	Unloaded Housings	.295 (7.49)				
571-5-103946-2	5-103946-2	B	3	5	A	.395 (10.03)				
571-5-103945-2	5-103945-2	B	3	5	B	.395 (10.03)				
571-5-103944-2	5-103944-2	B	3	5	C	.395 (10.03)				
571-1036532	103653-2	B	3	5	Unloaded Housings	.395 (10.03)				
571-5-103946-3	5-103946-3	B	4	4	A	.495 (12.57)				
571-5-103945-3	5-103945-3	B	4	4	B	.495 (12.57)				
571-5-103944-3	5-103944-3	B	4	4	C	.495 (12.57)				
571-1036533	103653-3	B	4	4	Unloaded Housings	.495 (12.57)				
571-5-103946-4	5-103946-4	B	5	4	A	.595 (15.11)				
571-5-103945-4	5-103945-4	B	5	4	B	.595 (15.11)				
571-5-103944-4	5-103944-4	B	5	4	C	.595 (15.11)				
571-103653-4	103653-4	B	5	4	Unloaded Housings	.595 (15.11)				
571-5-103946-5	5-103946-5	B	6	2	A	.695 (17.65)				
571-5-103945-5	5-103945-5	B	6	2	B	.695 (17.65)				
571-5-103944-5	5-103944-5	B	6	2	C	.695 (17.65)				
571-1036535	103653-5	B	6	2	Unloaded Housings	.695 (17.65)				
571-5-103946-6	5-103946-6	B	7	3	A	.795 (20.19)				
571-5-103945-6	5-103945-6	B	7	3	B	.795 (20.19)				
571-5-103944-6	5-103944-6	B	7	3	C	.795 (20.19)				
571-1036536	103653-6	B	7	3	Unloaded Housings	.795 (20.19)				
571-5-103946-7	5-103946-7	B	8	2	A	.895 (22.73)				
571-5-103945-7	5-103945-7	B	8	2	B	.895 (22.73)				
571-5-103944-7	5-103944-7	B	8	2	C	.895 (22.73)				
571-1036537	103653-7	B	8	2	Unloaded Housings	.895 (22.73)				
571-5-103946-8	5-103946-8	B	9	2	A	.995 (25.27)				
571-5-103944-8	5-103944-8	B	9	2	B	.995 (25.27)				
571-1036538	103653-8	B	9	2	Unloaded Housings	.995 (25.27)				
571-5-103946-9	5-103946-9	B	10	2	A	1.095 (27.81)				
571-5-103945-9	5-103945-9	B	10	2	B	1.095 (27.81)				
571-5-103944-9	5-103944-9	B	10	2	C	1.095 (27.81)				
571-1036539	103653-9	B	10	2	Unloaded Housings	1.095 (27.81)				

TOOLS

For quantities greater than listed, call for quote.

MOUSER STOCK NO.	TE Part No.	Description	Price Each
571-8434771	843477-1	Extraction Tool	
571-580741	58074-1	Manual handle without head	
571-583361	58336-1	Head, IDC	

TE Connectivity Rectangular Connectors

TE Interconnection System

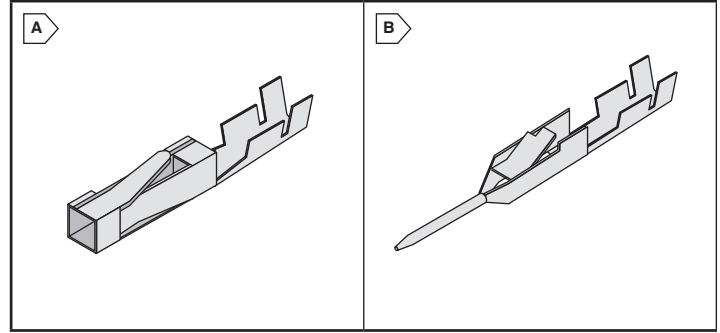
 This product is RoHS compliant.

INTERCHANGEABLE CONTACTS, WIRE CRIMP (SNAP-IN)

To be used with MTE Unloaded Housings.

Plating Code:

- A: Duplex plated .000030 (0.00076) gold on contact area .000100 (0.00254) min. tin on solder area, with entire post underplated .000050 (0.00127) nickel
- B: Duplex plated .000015 (0.00038) gold on contact area .000100 (0.00254) min. tin on solder area, with entire post underplated .000050 (0.00127) nickel
- C: .000100 (0.00254) tin over .000050 (0.00127) nickel on entire post



Short Point Receptacles

For quantities greater than listed, call for quote.

MOUSER STOCK NO.	TE Part No.	Fig.	Plating	Wire Size AWG	Insulation Diameter Range (in.)	Price Each			
						1	100	500	1000
571-1-104481-3	1-104481-3	A	A	32-28	.025-.060				
571-1-104481-2	1-104481-2	A	B	32-28	.025-.060				
571-1-104480-6	1-104480-6	A	A	26-22	.025-.060				
571-1-104480-5	1-104480-5	A	B	26-22	.025-.060				
571-1-104480-4	1-104480-4	A	C	26-22	.025-.060				

Pins

For quantities greater than listed, call for quote.

MOUSER STOCK NO.	TE Part No.	Fig.	Plating	Wire Size AWG	Insulation Diameter Range (in.)	Price Each			
						1	100	500	1000
571-5-104506-5	5-104506-5	B	B	32-28	.025-.054				
571-5-104505-7	5-104505-7	B	A	26-22	.036-.054				
571-5-104505-5	5-104505-5	B	B	26-22	.036-.054				
571-5-104505-3	5-104505-3	B	C	26-22	.036-.054				

TOOLS FOR MTE CONNECTORS

For quantities greater than listed, call for quote.

MOUSER STOCK NO.	TE Part No.	Fig.	Description	Wire Size AWG	Price Each
571-915311	91531-1	-	Hand tool for pins	26-22	
571-8434771	843477-1	-	Extraction tool	-	

MTE LATCHING HEADERS SQUARE STRAIGHT POST - SHROUDED

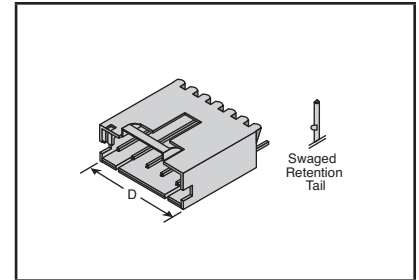
Material and Finish:

- .100" 2.54mm Centers
- Housing: Black thermoplastic, UL94V-0 rated
- .025" (0.64) Square Straight Post

Plating Code:

- Posts: Copper alloy, plated as follows:
 - A: Duplex plated .000030 (0.00076) gold on contact area .000100 (0.00254) min. tin on solder area, with entire post underplated .000050 (0.00127) nickel
 - B: Duplex plated .000015 (0.00038) gold on contact area .000100 (0.00254) min. tin on solder area, with entire post underplated .000050 (0.00127) nickel
 - C: .000100 (0.00254) tin over .000050 (0.00127) nickel on entire post

Mates with Polarized/Latching Receptacle Assemblies.



Shrouded Polarized/Latching, Single-Row

For quantities greater than listed, call for quote.

MOUSER STOCK NO.	TE Part No.	No. of Pos.	Plating	"D" Dimensions: in. (mm)	Price Each			
					1	25	50	100
With Swage								
571-5-103908-1	5-103908-1	2	A	.300 (7.62)				
571-5-104362-1	5-104362-1	2	B	.300 (7.62)				
571-5-103669-1	5-103669-1	2	C	.300 (7.62)				
571-5-103908-2	5-103908-2	3	A	.400 (10.16)				
571-5-104362-2	5-104362-2	3	B	.400 (10.16)				
571-5-103669-2	5-103669-2	3	C	.400 (10.16)				
571-5-103908-3	5-103908-3	4	A	.500 (12.70)				
571-5-104362-3	5-104362-3	4	B	.500 (12.70)				
571-5-103669-3	5-103669-3	4	C	.500 (12.70)				
571-5-103908-4	5-103908-4	5	A	.600 (15.24)				
571-5-104362-4	5-104362-4	5	B	.600 (15.24)				
571-5-103669-4	5-103669-4	5	C	.600 (15.24)				
571-5-103908-5	5-103908-5	6	A	.700 (17.78)				
571-5-104362-5	5-104362-5	6	B	.700 (17.78)				
571-5-103669-5	5-103669-5	6	C	.700 (17.78)				
571-5-103908-6	5-103908-6	7	A	.800 (20.32)				
571-5-104362-6	5-104362-6	7	B	.800 (20.32)				
571-5-103669-6	5-103669-6	7	C	.800 (20.32)				
571-5-103908-7	5-103908-7	8	A	.900 (22.86)				
571-5-104362-7	5-104362-7	8	B	.900 (22.86)				
571-5-103669-7	5-103669-7	8	C	.900 (22.86)				
571-5-103908-8	5-103908-8	9	A	1.00 (25.40)				
571-5-104362-8	5-104362-8	9	B	1.00 (25.40)				
571-5-103669-8	5-103669-8	9	C	1.00 (25.40)				
571-5-103908-9	5-103908-9	10	A	1.10 (27.94)				
571-5-104362-9	5-104362-9	10	B	1.10 (27.94)				
571-5-103669-9	5-103669-9	10	C	1.10 (27.94)				
571-6-103908-1	6-103908-1	12	A	1.30 (33.02)				
571-6-104362-1	6-104362-1	12	B	1.30 (33.02)				
571-6-103669-1	6-103669-1	12	C	1.30 (33.02)				
571-6-103908-3	6-103908-3	14	A	1.50 (38.10)				
571-6-104909-3	6-104909-3	14	B	1.50 (38.10)				
571-6-103669-3	6-103669-3	14	C	1.50 (38.10)				

© Copyright 2014 Mouser Electronics

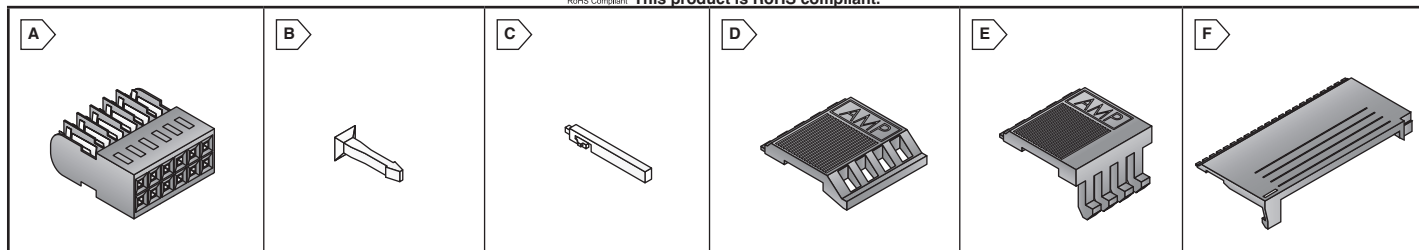
For quantities greater than listed, call for quote.

MOUSER STOCK NO.	TE Part No.	No. of Pos.	Plating	"D" Dimensions: in. (mm)	Price Each			
					1	25	50	100
Without Swage								
571-5-103735-1	5-103735-1	2	A	.300 (7.62)				
571-5-104363-1	5-104363-1	2	B	.300 (7.62)				
571-5-103639-1	5-103639-1	2	C	.300 (7.62)				
571-5-103735-2	5-103735-2	3	A	.400 (10.16)				
571-5-104363-2	5-104363-2	3	B	.400 (10.16)				
571-5-103639-2	5-103639-2	3	C	.400 (10.16)				
571-5-103735-3	5-103735-3	4	A	.500 (12.70)				
571-5-104363-3	5-104363-3	4	B	.500 (12.70)				
571-5-103639-3	5-103639-3	4	C	.500 (12.70)				
571-5-103735-4	5-103735-4	5	A	.600 (15.24)				
571-5-104363-4	5-104363-4	5	B	.600 (15.24)				
571-5-103639-4	5-103639-4	5	C	.600 (15.24)				
571-5-103735-5	5-103735-5	6	A	.700 (17.78)				
571-5-104363-5	5-104363-5	6	B	.700 (17.78)				
571-5-103639-5	5-103639-5	6	C	.700 (17.78)				
571-5-103735-6	5-103735-6	7	A	.800 (20.32)				
571-5-104363-6	5-104363-6	7	B	.800 (20.32)				
571-5-103735-7	5-103735-7	8	A	.900 (22.86)				
571-5-104363-7	5-104363-7	8	B	.900 (22.86)				
571-5-103639-7	5-103639-7	8	C	.900 (22.86)				
571-5-103735-8	5-103735-8	9	A	1.00 (25.40)				
571-5-104363-8	5-104363-8	9	B	1.00 (25.40)				
571-5-103735-9	5-103735-9	10	A	1.10 (27.94)				
571-5-104363-9	5-104363-9	10	B	1.10 (27.94)				
571-5-103639-9	5-103639-9	10	C	1.10 (27.94)				
571-6-103735-1	6-103735-1	12	A	1.30 (33.02)				
571-6-104363-1	6-104363-1	12	B	1.30 (33.02)				
571-6-103639-1	6-103639-1	12	C	1.30 (33.02)				
571-6-103735-3	6-103735-3	14	A	1.50 (38.10)				
571-6-103639-3	6-103639-3	14	C	1.50 (38.10)				

© Copyright 2014 Mouser Electronics

TE Rectangular Connectors

RoHS Compliant This product is RoHS compliant.



The AMPMODU™ Interconnection system offers labor and cost savings through mass termination technology, while maintaining the time-proven reliability of the AMPMODU™ product family. The MT system is comprised of preloaded, double-row receptacle assemblies with snap-on covers and a variety of shielding hardware and accessories. The IDC, features a mating interface that is the same as the conventional AMPMODU™ crimp, snap-in contact, featuring dual cantilever beams, built-in overstress protection and a completely enclosed box design.

RECEPTACLE ASSEMBLIES, DOUBLE-ROW .100" X .100" CENTERLINE

Housings Preloaded with Standard Pressure Contacts

Material and Finish:

- Housing: Black Thermoplastic, flame retardant
- Contacts: Copper alloy, duplex plated .000030 (0.00076) gold on contact area, .000050 (0.00127) min. tin in crimp area, with entire contact underplated .000050 (0.00127) nickel.
- Cable Insulation Diameter: .050 (1.27) max.
- Mating Post Length: .222-.273 (5.64-6.94) max.
- Stamped Housings: Cavity identification - first cavity (one side); AMP part no. and date code stamped on housing where size permits.

For quantities greater than listed, call for quote.

MOUSER STOCK NO.	TE Part No.	Fig.	Number of Positions	Wire Size AWG	Price Each			
					1	25	50	100
571-5-102393-1	5-102393-1	A	6	30-26				
571-5-102393-2	5-102393-2	A	8	30-26				
571-5-102393-3	5-102393-3	A	10	30-26				
571-5-102393-5	5-102393-5	A	14	30-26				
571-5-102393-7	5-102393-7	A	18	30-26				
571-5-102393-8	5-102393-8	A	20	30-26				
571-6-102393-1	6-102393-1	A	26	30-26				
571-6-102393-5	6-102393-5	A	34	30-26				
571-5-102398-1	5-102398-1	A	6	26-22				
571-5-102398-2	5-102398-2	A	8	26-22				
571-5-102398-3	5-102398-3	A	10	26-22				
571-5-102398-5	5-102398-5	A	14	26-22				
571-5-102398-6	5-102398-6	A	16	26-22				
571-5-102398-7	5-102398-7	A	18	26-22				
571-5-102398-8	5-102398-8	A	20	26-22				
571-6-102398-1	6-102398-1	A	26	26-22				
571-6-102398-3	6-102398-3	A	30	26-22				
571-6-102398-5	6-102398-5	A	34	26-22				
571-6-102398-8	6-102398-8	A	40	26-22				
571-5-102448-2	5-102448-2	A	8	22-20				
571-5-102448-8	5-102448-8	A	20	22-20				
571-6-102448-0	6-102448-0	A	24	22-20				
571-6-102448-1	6-102448-1	A	26	22-20				
571-6-102448-8	6-102448-8	A	40	22-20				
571-7-102448-3	7-102448-3	A	50	22-20				

Housings Preloaded with High Pressure Contacts

- Mating post length: .200-.273 (5.64-6.94)

For quantities greater than listed, call for quote.

MOUSER STOCK NO.	TE Part No.	Fig.	Number of Positions	Wire Size AWG	Price Each			
					1	25	50	100
571-5-102694-1	5-102694-1	A	6	26-22				
571-5-102694-2	5-102694-2	A	8	26-22				
571-1-102694-0	1-102694-0	A	10	26-22				
571-5-102694-4	5-102694-4	A	12	26-22				
571-5-102694-5	5-102694-5	A	14	26-22				
571-5-102694-6	5-102694-6	A	16	26-22				
571-5-102694-8	5-102694-8	A	20	26-22				

KEYING PLUGS

For quantities greater than listed, call for quote.

MOUSER STOCK NO.	TE Part No.	Fig.	Description	Price Each			
				1	100	500	1000
571-862861	86286-1	B	Plugs into receptacle contact				
571-870772	87077-2	C	Plugs directly into housing				

COVERS FOR MT RECEPTACLE ASSEMBLIES

Front Covers - Low Profile, Non-Polarizing

- Use with shielded connectors

For quantities greater than listed, call for quote.

MOUSER STOCK NO.	TE Part No.	Fig.	Number of Positions	Price Each			
				1	25	50	100
571-1025412	102541-2	D	8				
571-1025413	102541-3	D	10				
571-1025414	102541-4	D	12				
571-1025415	102541-5	D	14				
571-1025416	102541-6	D	16				
571-1025418	102541-8	D	20				
571-11025410	1-102541-0	D	24				
571-11025418	1-102541-8	D	40				
571-21025413	2-102541-3	D	50				

Back Covers - Low Profile

- Use for shielding and non-shielding applications

For quantities greater than listed, call for quote.

MOUSER STOCK NO.	TE Part No.	Fig.	Number of Positions	Price Each			
				1	25	50	100
571-1025362	102536-2	E	8				
571-1025363	102536-3	E	10				
571-1025364	102536-4	E	12				
571-1025365	102536-5	E	14				
571-1025366	102536-6	E	16				
571-1025367	102536-7	E	18				
571-1025368	102536-8	E	20				
571-11025361	1-102536-1	E	26				
571-11025363	1-102536-3	E	30				
571-11025368	1-102536-8	E	40				

Hermaphroditic Cover - Standard Profile

- Two covers required per connector

For quantities greater than listed, call for quote.

MOUSER STOCK NO.	TE Part No.	Fig.	Number of Positions	Price Each			
				1	25	50	100
571-1023961	102396-1	F	6				
571-1023962	102396-2	F	8				
571-1023963	102396-3	F	10				
571-1023964	102396-4	F	12				
571-1023966	102396-6	F	16				
571-11023960	1-102396-0	F	24				
571-11023968	1-102396-8	F	40				

TOOLS

For quantities greater than listed, call for quote.

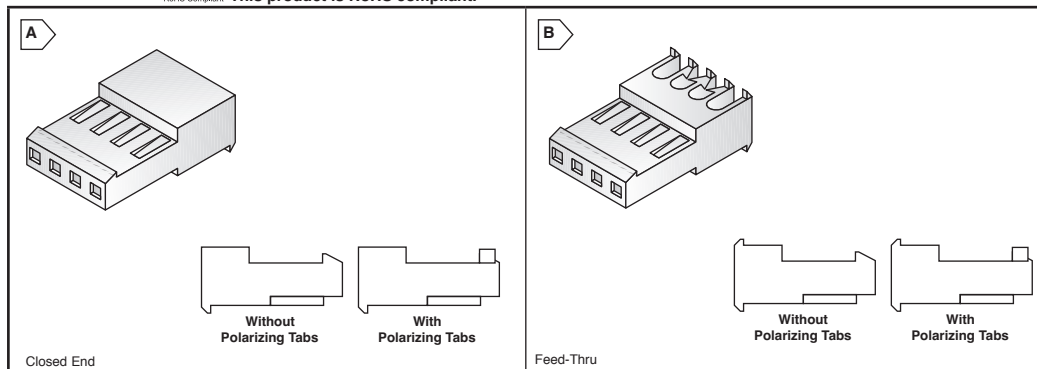
MOUSER STOCK NO.	TE Part No.	Description	Price Each	
			1	5
571-580741	58074-1	Manual handle w/o head		
571-580621	58062-1	Head IDC, only		

TE .100" Series IDC Connectors

RoHS Compliant This product is RoHS compliant.

Specifications:

- Voltage rating: 250VAC
- Current rating: 4A max.
- Low-level resistance: 5mΩ max. initial
- Operating temp.: -55°C to +105°C
- Dielectric withstanding Voltage: 750VAC/1min.
- Insulation resistance: 5000MΩ min. initial
- Pre-loaded with contacts



CLOSED END STYLE

For quantities greater than listed, call for quote.

MOUSER STOCK NO.	TE Part No.	Fig.	Number of Positions	Wire Size (AWG)	Color	Price Each		
						1	10	100
Closed End without Polarizing Tabs								
571-3-640440-2	3-640440-2	A	2	22	Red			
571-3-640440-3	3-640440-3	A	3	22	Red			
571-3-640440-4	3-640440-4	A	4	22	Red			
571-3-640440-5	3-640440-5	A	5	22	Red			
571-3-640440-6	3-640440-6	A	6	22	Red			
571-3-640440-7	3-640440-7	A	7	22	Red			
571-3-640440-8	3-640440-8	A	8	22	Red			
571-3-640440-9	3-640440-9	A	9	22	Red			
571-4-640440-0	4-640440-0	A	10	22	Red			
571-3-640441-2	3-640441-2	A	2	24	White			
571-3-640441-3	3-640441-3	A	3	24	White			
571-3-640441-4	3-640441-4	A	4	24	White			
571-3-640441-5	3-640441-5	A	5	24	White			
571-3-640441-6	3-640441-6	A	6	24	White			
571-3-640441-7	3-640441-7	A	7	24	White			
571-3-640441-8	3-640441-8	A	8	24	White			
571-3-640441-9	3-640441-9	A	9	24	White			
571-4-640441-0	4-640441-0	A	10	24	White			
571-3-640442-2	3-640442-2	A	2	26	Blue			
571-3-640442-3	3-640442-3	A	3	26	Blue			
571-3-640442-4	3-640442-4	A	4	26	Blue			
571-3-640442-5	3-640442-5	A	5	26	Blue			
571-3-640442-6	3-640442-6	A	6	26	Blue			
571-3-640442-7	3-640442-7	A	7	26	Blue			
571-3-640442-8	3-640442-8	A	8	26	Blue			
571-3-640442-9	3-640442-9	A	9	26	Blue			
571-4-640442-0	4-640442-0	A	10	26	Blue			
571-3-640443-2	3-640443-2	A	2	28	Green			
571-3-640443-3	3-640443-3	A	3	28	Green			
571-3-640443-4	3-640443-4	A	4	28	Green			
571-3-640443-5	3-640443-5	A	5	28	Green			
571-3-640443-6	3-640443-6	A	6	28	Green			
571-3-640443-7	3-640443-7	A	7	28	Green			
571-3-640443-8	3-640443-8	A	8	28	Green			
571-4-640443-0	4-640443-0	A	10	28	Green			

For quantities greater than listed, call for quote.

MOUSER STOCK NO.	TE Part No.	Fig.	Number of Positions	Wire Size (AWG)	Color	Price Each		
						1	10	100
Closed End with Polarizing Tabs								
571-3-643813-2	3-643813-2	A	2	22	Red			
571-3-643813-3	3-643813-3	A	3	22	Red			
571-3-643813-4	3-643813-4	A	4	22	Red			
571-3-643813-5	3-643813-5	A	5	22	Red			
571-3-643813-6	3-643813-6	A	6	22	Red			
571-3-643813-7	3-643813-7	A	7	22	Red			
571-3-643813-8	3-643813-8	A	8	22	Red			
571-3-643813-9	3-643813-9	A	9	22	Red			
571-4-643813-0	4-643813-0	A	10	22	Red			
571-3-643814-2	3-643814-2	A	2	24	White			
571-3-643814-3	3-643814-3	A	3	24	White			
571-3-643814-4	3-643814-4	A	4	24	White			
571-3-643814-5	3-643814-5	A	5	24	White			
571-3-643814-6	3-643814-6	A	6	24	White			
571-3-643814-7	3-643814-7	A	7	24	White			
571-3-643814-8	3-643814-8	A	8	24	White			
571-3-643814-9	3-643814-9	A	9	24	White			
571-4-643814-0	4-643814-0	A	10	24	White			
571-3-643815-2	3-643815-2	A	2	26	Blue			
571-3-643815-3	3-643815-3	A	3	26	Blue			
571-3-643815-4	3-643815-4	A	4	26	Blue			
571-3-643815-5	3-643815-5	A	5	26	Blue			
571-3-643815-6	3-643815-6	A	6	26	Blue			
571-3-643815-7	3-643815-7	A	7	26	Blue			
571-3-643815-8	3-643815-8	A	8	26	Blue			
571-3-643815-9	3-643815-9	A	9	26	Blue			
571-4-643815-0	4-643815-0	A	10	26	Blue			
571-3-643816-2	3-643816-2	A	2	28	Green			
571-3-643816-3	3-643816-3	A	3	28	Green			
571-3-643816-4	3-643816-4	A	4	28	Green			
571-3-643816-5	3-643816-5	A	5	28	Green			
571-3-643816-6	3-643816-6	A	6	28	Green			
571-3-643816-7	3-643816-7	A	7	28	Green			
571-3-643816-8	3-643816-8	A	8	28	Green			
571-4-643816-0	4-643816-0	A	10	28	Green			

Rectangular Connectors TE Connectivity

FEED-THRU STYLE

For quantities greater than listed, call for quote.

MOUSER STOCK NO.	TE Part No.	Fig.	Number of Positions	Wire Size (AWG)	Color	Price Each		
						1	10	100
Feed-Thru without Polarizing Tabs								
571-3-640620-2	3-640620-2	B	2	22	Red			
571-3-640620-3	3-640620-3	B	3	22	Red			
571-3-640620-4	3-640620-4	B	4	22	Red			
571-3-640620-5	3-640620-5	B	5	22	Red			
571-3-640620-6	3-640620-6	B	6	22	Red			
571-3-640620-7	3-640620-7	B	7	22	Red			
571-3-640620-8	3-640620-8	B	8	22	Red			
571-3-640620-9	3-640620-9	B	9	22	Red			
571-4-640620-0	4-640620-0	B	10	22	Red			
571-3-640621-2	3-640621-2	B	2	24	White			
571-3-640621-3	3-640621-3	B	3	24	White			
571-3-640621-4	3-640621-4	B	4	24	White			
571-3-640621-5	3-640621-5	B	5	24	White			
571-3-640621-6	3-640621-6	B	6	24	White			
571-3-640621-8	3-640621-8	B	8	24	White			
571-4-640621-0	4-640621-0	B	10	24	White			
571-3-640622-2	3-640622-2	B	2	26	Blue			
571-3-640622-3	3-640622-3	B	3	26	Blue			
571-3-640622-4	3-640622-4	B	4	26	Blue			
571-3-640622-5	3-640622-5	B	5	26	Blue			
571-3-640622-6	3-640622-6	B	6	26	Blue			

For quantities greater than listed, call for quote.

MOUSER STOCK NO.	TE Part No.	Fig.	Number of Positions	Wire Size (AWG)	Color	Price Each		
						1	10	100
Feed-Thru without Polarizing Tabs (Cont.)								
571-3-640622-8	3-640622-8	B	8	26	Blue			
571-3-640623-2	3-640623-2	B	2	28	Green			
571-3-640623-3	3-640623-3	B	3	28	Green			
571-3-640623-4	3-640623-4	B	4	28	Green			
571-3-640623-5	3-640623-5	B	5	28	Green			
571-3-640623-6	3-640623-6	B	6	28	Green			
Feed-Thru with Polarizing Tabs								
571-3-644540-2	3-644540-2	B	2	22	Red			
571-3-644540-3	3-644540-3	B	3	22	Red			
571-3-644540-4	3-644540-4	B	4	22	Red			
571-3-644540-5	3-644540-5	B	5	22	Red			
571-3-644540-6	3-644540-6	B	6	22	Red			
571-3-644540-8	3-644540-8	B	8	22	Red			
571-3-644563-2	3-644563-2	B	2	24	White			
571-3-644563-3	3-644563-3	B	3	24	White			
571-3-644563-4	3-644563-4	B	4	24	White			
571-3-644563-5	3-644563-5	B	5	24	White			
571-3-644563-6	3-644563-6	B	6	24	White			
571-3-644563-8	3-644563-8	B	8	24	White			
571-3-644563-9	3-644563-9	B	9	24	White			
571-3-644565-4	3-644565-4	B	4	28	Green			

TE .100" IDC Headers

FLAT & NARROW FLAT HEADERS

- Housing: UL94V-0 rated, polyester, natural color
- Posts: Copper alloy, tin plated



RoHS Compliant This product is RoHS compliant.
FRICION LOCK HEADERS

- Posts: Copper alloy, tin plated or gold over nickel
- Housing: UL94V-0 rated, polyester, natural color

For quantities greater than listed, call for quote.

Flat For quantities greater than listed, call for quote.

MOUSER STOCK NO.	TE Part No.	Fig.	No. of Pos.	Price Each		
				1	10	100
Straight Post						
571-6404522	640452-2	A	2			
571-6404523	640452-3	A	3			
571-6404524	640452-4	A	4			
571-640452-5	640452-5	A	5			
571-6404526	640452-6	A	6			
571-6404527	640452-7	A	7			
571-6404528	640452-8	A	8			
571-16404520	1-640452-0	A	10			
571-16404522	1-640452-2	A	12			
571-16404524	1-640452-4	A	14			
571-16404526	1-640452-6	A	16			
Right Angle Post						
571-6404532	640453-2	B	2			
571-6404533	640453-3	B	3			
571-6404534	640453-4	B	4			
571-6404535	640453-5	B	5			
571-6404536	640453-6	B	6			
571-6404537	640453-7	B	7			
571-6404538	640453-8	B	8			
571-6404539	640453-9	B	9			
571-16404530	1-640453-0	B	10			
571-16404532	1-640453-2	B	12			
571-16404534	1-640453-4	B	14			
571-16404536	1-640453-6	B	16			

Narrow Flat For quantities greater than listed, call for quote.

MOUSER STOCK NO.	TE Part No.	Fig.	No. of Pos.	Price Each		
				1	10	100
Straight Post						
571-3-644456-2	3-644456-2	A	2			
571-3-644456-3	3-644456-3	A	3			
571-3-644456-4	3-644456-4	A	4			
571-3-644456-5	3-644456-5	A	5			
571-3-644456-6	3-644456-6	A	6			
571-4-644456-0	4-644456-0	A	10			
571-4-644456-6	4-644456-6	A	16			
Straight Post with Retentive Leg						
571-3-644695-2	3-644695-2	A	2			
571-3-644695-3	3-644695-3	A	3			
571-3-644695-4	3-644695-4	A	4			
571-3-644695-5	3-644695-5	A	5			
571-3-644695-6	3-644695-6	A	6			
571-3-644695-9	3-644695-9	A	9			
Right Angle Post						
571-3-644457-2	3-644457-2	B	2			
571-3-644457-3	3-644457-3	B	3			
571-3-644457-4	3-644457-4	B	4			
571-3-644457-5	3-644457-5	B	5			
571-3-644457-6	3-644457-6	B	6			
571-3-644457-8	3-644457-8	B	8			

SHROUDED HEADERS

- Housing: UL94V-0 rated, polyester, natural color
- Posts: Copper alloy, tin plated

For quantities greater than listed, call for quote.

MOUSER STOCK NO.	TE Part No.	Fig.	No. of Pos.	Price Each		
				1	10	100
Straight Post						
571-2-644486-2	2-644486-2	C	2			
571-2-644486-3	2-644486-3	C	3			
571-2-644486-4	2-644486-4	C	4			
571-2-644486-5	2-644486-5	C	5			
571-2-644486-6	2-644486-6	C	6			
571-2-644486-7	2-644486-7	C	7			
571-2-644486-8	2-644486-8	C	8			
571-2-644486-9	2-644486-9	C	9			
571-3-644486-0	3-644486-0	C	10			
571-3-644486-4	3-644486-4	C	14			
Right Angle Post						
571-2-644488-2	2-644488-2	D	2			
571-2-644488-3	2-644488-3	D	3			
571-2-644488-4	2-644488-4	D	4			
571-2-644488-5	2-644488-5	D	5			
571-2-644488-7	2-644488-7	D	7			

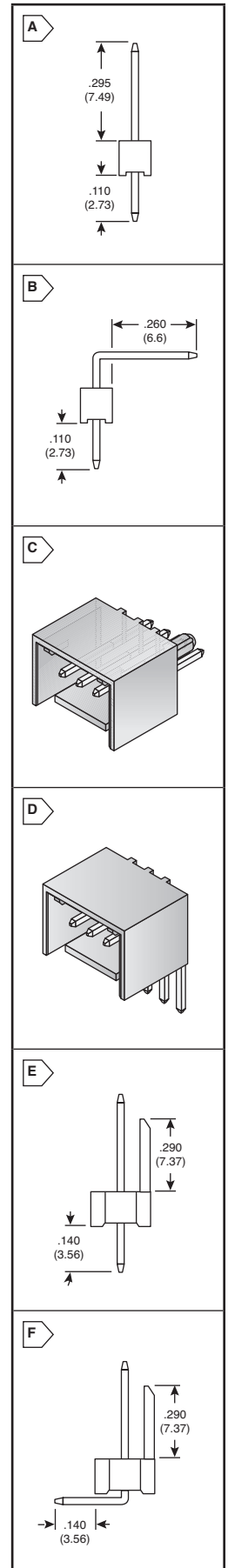
MOUSER STOCK NO.	TE Part No.	Fig.	No. of Pos.	Price Each		
				1	10	100
Straight Post, Tin Plated						
571-6404562	640456-2	E	2			
571-6404563	640456-3	E	3			
571-6404564	640456-4	E	4			
571-6404565	640456-5	E	5			
571-6404566	640456-6	E	6			
571-6404567	640456-7	E	7			
571-6404568	640456-8	E	8			
571-6404569	640456-9	E	9			
571-16404560	1-640456-0	E	10			
571-16404562	1-640456-2	E	12			
571-16404564	1-640456-4	E	14			
571-16404566	1-640456-6	E	16			
Straight Post, Gold Plated						
571-3-641215-2	3-641215-2	E	2			
571-3-641215-3	3-641215-3	E	3			
571-3-641215-4	3-641215-4	E	4			
571-3-641215-5	3-641215-5	E	5			
571-3-641215-6	3-641215-6	E	6			
571-3-641215-7	3-641215-7	E	7			
571-3-641215-8	3-641215-8	E	8			
571-4-641215-0	4-641215-0	E	10			
571-4-641215-2	4-641215-2	E	12			
571-4-641215-4	4-641215-4	E	14			
571-4-641215-6	4-641215-6	E	16			
Right Angle Post, Tin Plated						
571-6404572	640457-2	F	2			
571-6404573	640457-3	F	3			
571-6404574	640457-4	F	4			
571-6404575	640457-5	F	5			
571-6404576	640457-6	F	6			
571-6404577	640457-7	F	7			
571-6404578	640457-8	F	8			
571-6404579	640457-9	F	9			
571-16404570	1-640457-0	F	10			
571-16404572	1-640457-2	F	12			
571-16404574	1-640457-4	F	14			
571-16404576	1-640457-6	F	16			
Right Angle Post, Gold Plated						
571-3-641216-5	3-641216-5	F	5			
571-4-641216-0	4-641216-0	F	10			
571-4-641216-6	4-641216-6	F	16			

POLARIZED HEADERS

- Housing: UL94V-0 rated, polyester, natural color
- Posts: Copper alloy, tin plated or gold over nickel
- No 16 Position in Gold

For quantities greater than listed, call for quote.

MOUSER STOCK NO.	TE Part No.	Fig.	No. of Pos.	Price Each		
				1	10	100
Straight Post, Tin Plated						
571-640454-2	640454-2	E	2			
571-640454-3	640454-3	E	3			
571-640454-4	640454-4	E	4			
571-640454-5	640454-5	E	5			
571-640454-6	640454-6	E	6			
571-640454-7	640454-7	E	7			
571-640454-8	640454-8	E	8			
571-640454-9	640454-9	E	9			
571-16404540	1-640454-0	E	10			
571-16404542	1-640454-2	E	12			
571-16404544	1-640454-4	E	14			
571-16404546	1-640454-6	E	16			
Straight Post, Gold Plated						
571-3-641213-2	3-641213-2	E	2			
571-3-641213-3	3-641213-3	E	3			
571-3-641213-4	3-641213-4	E	4			
571-3-641213-5	3-641213-5	E	5			
571-3-641213-6	3-641213-6	E	6			
571-3-641213-8	3-641213-8	E	8			
Right Angle Post, Tin Plated						
571-6404552	640455-2	F	2			
571-6404553	640455-3	F	3			
571-6404554	640455-4	F	4			
571-6404555	640455-5	F	5			
571-6404556	640455-6	F	6			
571-640455-7	640455-7	F	7			
571-6404558	640455-8	F	8			
571-6404559	640455-9	F	9			
571-16404550	1-640455-0	F	10			
Right Angle Post, Gold Plated						
571-4-641216-0	4-641216-0	F	10			



TE .156" Series IDC Connectors



RoHS Compliant This product is RoHS compliant.

Specifications:

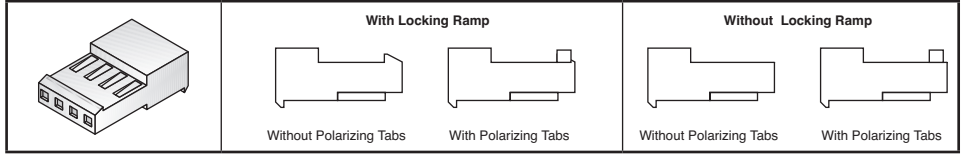
- Voltage rating: 250VAC
- Current rating: 5A max.
- Low-level resistance: 3mΩ max. initial
- Operating temperature: -55°C to +105°C
- Dielectric withstanding Voltage: 1250VAC/1Min.
- Insulation resistance: 5000MΩ min. initial

Material and Finish:

- Housing: UL94V-2 rated, type 6/6 and 6/12 nylon
- Contacts: Phosphor bronze, post tin plated

Features:

- End to end stackable
- Contacts are lubricated to prevent fretting corrosion
- .156 Centers
- Pre-loaded with contacts



File No. LR7189



File No. E28476



RoHS Compliant

CLOSED END

For quantities greater than listed, call for quote.

MOUSER STOCK NO.	TE Part No.	No. of Pos.	Wire Size (AWG)	Color	Price Each		
					1	10	100
With Locking Ramp and Without Tabs							
571-3-640426-2	3-640426-2	2	18	Orange			
571-3-640426-3	3-640426-3	3	18	Orange			
571-3-640426-4	3-640426-4	4	18	Orange			
571-3-640426-5	3-640426-5	5	18	Orange			
571-3-640426-6	3-640426-6	6	18	Orange			
571-3-640426-7	3-640426-7	7	18	Orange			
571-3-640426-8	3-640426-8	8	18	Orange			
571-3-640426-9	3-640426-9	9	18	Orange			
571-4-640426-0	4-640426-0	10	18	Orange			
571-3-640427-2	3-640427-2	2	20	Yellow			
571-3-640427-3	3-640427-3	3	20	Yellow			
571-3-640427-4	3-640427-4	4	20	Yellow			
571-3-640427-5	3-640427-5	5	20	Yellow			
571-3-640427-6	3-640427-6	6	20	Yellow			
571-3-640427-7	3-640427-7	7	20	Yellow			
571-3-640427-8	3-640427-8	8	20	Yellow			
571-3-640428-2	3-640428-2	2	22	Red			
571-3-640428-3	3-640428-3	3	22	Red			
571-3-640428-4	3-640428-4	4	22	Red			
571-3-640428-5	3-640428-5	5	22	Red			
571-3-640428-6	3-640428-6	6	22	Red			
571-3-640428-7	3-640428-7	7	22	Red			
571-3-640428-8	3-640428-8	8	22	Red			
571-4-640428-0	4-640428-0	10	22	Red			
571-3-640429-2	3-640429-2	2	24	Natural			
571-3-640429-3	3-640429-3	3	24	Natural			
571-3-640429-4	3-640429-4	4	24	Natural			
571-3-640429-5	3-640429-5	5	24	Natural			
571-3-640429-6	3-640429-6	6	24	Natural			
571-3-640429-8	3-640429-8	8	24	Natural			
571-4-640429-9	4-640429-9	9	24	Natural			
With Locking Ramp and Tabs							
571-3-643817-2	3-643817-2	2	18	Orange			
571-3-643817-3	3-643817-3	3	18	Orange			
571-3-643817-4	3-643817-4	4	18	Orange			
571-3-643817-5	3-643817-5	5	18	Orange			
571-3-643817-6	3-643817-6	6	18	Orange			
571-3-643817-7	3-643817-7	7	18	Orange			
571-3-643817-8	3-643817-8	8	18	Orange			
571-3-643817-9	3-643817-9	9	18	Orange			
571-4-643817-0	4-643817-0	10	18	Orange			
571-3-643818-2	3-643818-2	2	20	Yellow			
571-3-643818-3	3-643818-3	3	20	Yellow			
571-3-643818-4	3-643818-4	4	20	Yellow			
571-3-643818-5	3-643818-5	5	20	Yellow			
571-3-643818-6	3-643818-6	6	20	Yellow			
571-3-643818-7	3-643818-7	7	20	Yellow			
571-3-643818-8	3-643818-8	8	20	Yellow			
571-3-643819-2	3-643819-2	2	22	Red			
571-3-643819-3	3-643819-3	3	22	Red			
571-3-643819-4	3-643819-4	4	22	Red			
571-3-643819-5	3-643819-5	5	22	Red			
571-3-643819-6	3-643819-6	6	22	Red			
571-3-643819-7	3-643819-7	7	22	Red			
571-3-643819-8	3-643819-8	8	22	Red			
571-3-643820-2	3-643820-2	2	24	Natural			
571-3-643820-3	3-643820-3	3	24	Natural			
571-3-643820-4	3-643820-4	4	24	Natural			
571-3-643820-5	3-643820-5	5	24	Natural			
571-3-643820-6	3-643820-6	6	24	Natural			
Without Locking Ramp and Without Tabs							
571-3-640431-2	3-640431-2	2	18	Orange			
571-3-640431-3	3-640431-3	3	18	Orange			
571-3-640431-4	3-640431-4	4	18	Orange			
571-3-640431-5	3-640431-5	5	18	Orange			
571-3-640431-6	3-640431-6	6	18	Orange			
571-3-640431-7	3-640431-7	7	18	Orange			
571-3-640431-8	3-640431-8	8	18	Orange			
571-3-640431-9	3-640431-9	9	18	Orange			
571-3-640433-2	3-640433-2	2	22	Red			
571-3-640433-3	3-640433-3	3	22	Red			
571-3-640433-4	3-640433-4	4	22	Red			
571-3-640433-5	3-640433-5	5	22	Red			
571-3-640433-6	3-640433-6	6	22	Red			
571-3-640433-7	3-640433-7	7	22	Red			
571-3-640433-8	3-640433-8	8	22	Red			
571-3-640433-9	3-640433-9	9	22	Red			
571-4-640433-0	4-640433-0	10	22	Red			

FEED-THRU

For quantities greater than listed, call for quote.

MOUSER STOCK NO.	TE Part No.	No. of Pos.	Wire Size (AWG)	Color	Price Each		
					1	10	100
With Locking Ramp and Without Tabs (Cont.)							
571-3-640599-2	3-640599-2	2	18	Orange			
571-3-640599-3	3-640599-3	3	18	Orange			
571-3-640599-4	3-640599-4	4	18	Orange			
571-3-640599-5	3-640599-5	5	18	Orange			
571-3-640599-6	3-640599-6	6	18	Orange			
571-3-640599-7	3-640599-7	7	18	Orange			
571-3-640599-8	3-640599-8	8	18	Orange			
571-3-640599-9	3-640599-9	9	18	Orange			
571-4-640599-0	4-640599-0	10	18	Orange			
571-3-640600-2	3-640600-2	2	20	Yellow			
571-3-640600-3	3-640600-3	3	20	Yellow			
571-3-640600-4	3-640600-4	4	20	Yellow			
571-3-640600-5	3-640600-5	5	20	Yellow			
571-3-640600-6	3-640600-6	6	20	Yellow			
571-3-640600-7	3-640600-7	7	20	Yellow			
571-3-640600-8	3-640600-8	8	20	Yellow			
571-3-640600-9	3-640600-9	9	20	Yellow			
571-3-640601-2	3-640601-2	2	22	Red			
571-3-640601-3	3-640601-3	3	22	Red			
571-3-640601-4	3-640601-4	4	22	Red			
571-3-640601-5	3-640601-5	5	22	Red			
571-3-640601-6	3-640601-6	6	22	Red			
571-3-640601-7	3-640601-7	7	22	Red			
571-3-640601-8	3-640601-8	8	22	Red			
571-3-640601-9	3-640601-9	9	22	Red			
571-4-640601-0	4-640601-0	10	22	Red			
571-3-640602-2	3-640602-2	2	24	Natural			
571-3-640602-3	3-640602-3	3	24	Natural			
571-3-640602-4	3-640602-4	4	24	Natural			
571-3-640602-5	3-640602-5	5	24	Natural			
571-3-640602-6	3-640602-6	6	24	Natural			
571-3-640602-7	3-640602-7	7	24	Natural			
571-3-640602-8	3-640602-8	8	24	Natural			
571-3-640602-9	3-640602-9	9	24	Natural			
571-4-640602-0	4-640602-0	10	24	Natural			
With Locking Ramp and Tabs							
571-3-644465-2	3-644465-2	2	18	Orange			
571-3-644465-3	3-644465-3	3	18	Orange			
571-3-644465-4	3-644465-4	4	18	Orange			
571-3-644465-5	3-644465-5	5	18	Orange			
571-3-644465-6	3-644465-6	6	18	Orange			
571-3-644465-7	3-644465-7	7	18	Orange			
571-3-644465-8	3-644465-8	8	18	Orange			
571-3-644465-9	3-644465-9	9	18	Orange			
571-4-644465-0	4-644465-0	10	18	Orange			
571-3-644466-2	3-644466-2	2	20	Yellow			
571-3-644466-4	3-644466-4	4	20	Yellow			
571-3-644466-5	3-644466-5	5	20	Yellow			
571-3-644466-6	3-644466-6	6	20	Yellow			
571-3-644466-7	3-644466-7	7	20	Yellow			
571-3-644466-8	3-644466-8	8	20	Yellow			
571-3-644466-9	3-644466-9	9	20	Yellow			
571-3-644467-2	3-644467-2	2	22	Red			
571-3-644467-3	3-644467-3	3	22	Red			
571-3-644467-4	3-644467-4	4	22	Red			
571-3-644467-5	3-644467-5	5	22	Red			
571-3-644467-6	3-644467-6	6	22	Red			
571-3-644467-7	3-644467-7	7	22	Red			
571-3-644467-8	3-644467-8	8	22	Red			
571-3-644467-9	3-644467-9	9	22	Red			
571-3-644468-2	3-644468-2	2	24	Natural			
571-3-644468-4	3-644468-4	4	24	Natural			
571-3-644468-7	3-644468-7	7	24	Natural			
571-3-644468-9	3-644468-9	9	24	Natural			
Without Locking Ramp and Without Tabs							
571-3-640604-2	3-640604-2	2	18	Orange			
571-3-640604-4	3-640604-4	4	18	Orange			
571-3-640604-5	3-640604-5	5	18	Orange			
571-3-640604-6	3-640604-6	6	18	Orange			
571-3-640604-7	3-640604-7	7	18	Orange			
571-3-640604-8	3-640604-8	8	18	Orange			
571-3-640604-9	3-640604-9	9	18	Orange			
571-4-640604-0	4-640604-0	10	18	Orange			
571-3-640606-2	3-640606-2	2	22	Red			
571-3-640606-3	3-640606-3	3	22	Red			
571-3-640606-5	3-640606-5	5	22	Red			
571-3-640606-6	3-640606-6	6	22	Red			
571-3-640606-7	3-640606-7	7	22	Red			
571-3-640606-8	3-640606-8	8	22	Red			
571-3-640606-9	3-640606-9	9	22	Red			
571-4-640606-0	4-640606-0	10					

TE Mini-Universal MATE-N-LOK® and MATE-N-LOK2®



RoHS Compliant This product is RoHS compliant.



Features:

- Compact, durable housings
- Contacts accept wire size range 30-16AWG
- Fully polarized
- UL94V-0 flammability rated material

Specifications:

- Voltage rating: 600V AC or DC
- Current: 9.5A max. 9A Sealed
- Dielectric Withstanding Voltage: 1.5VAC

MINI-UNIVERSAL MATE-N-LOK® CONNECTORS

Plug Housings

For quantities greater than listed, call for quote.

MOUSER STOCK NO.	TE Part No.	Fig.	Number of Contacts	Description	Price Each		
					1	25	100
571-1721651	172165-1	A	2	In-line			
571-1721661	172166-1	A	3	In-line			
571-1721691	172169-1	A	9	Matrix			
571-1721701	172170-1	A	12	Matrix			
571-1721711	172171-1	A	15	Matrix			
571-172167-1	172167-1	A	4	Dual row			
571-1721681	172168-1	A	6	Dual row			
571-7705791	770579-1	A	8	Dual row			
571-770580-1	770580-1	A	10	Dual row			
571-7705811	770581-1	A	12	Dual row			
571-7705821	770582-1	A	14	Dual row			
571-7705831	770583-1	A	16	Dual row			
571-770584-1	770584-1	A	18	Dual row			
571-7705851	770585-1	A	20	Dual row			
571-770586-1	770586-1	A	22	Dual row			
571-7705871	770587-1	A	24	Dual row			

Cap Housings

For quantities greater than listed, call for quote.

MOUSER STOCK NO.	TE Part No.	Fig.	Number of Contacts	Description	Price Each		
					1	25	100
571-1722331	172233-1	B	2	In-line, free hanging			
571-1722341	172234-1	B	3	In-line, free hanging			
571-1721571	172157-1	B	2	In-line, panel mount			
571-1721581	172158-1	B	3	In-line, panel mount			
571-1721591	172159-1	B	4	Dual row			
571-1721601	172160-1	B	6	Dual row			
571-1721611	172161-1	B	9	Matrix			
571-1721621	172162-1	B	12	Matrix			

SEALED MINI-UNIVERSAL MATE-N-LOK® CONNECTORS

Plug Housings

For quantities greater than listed, call for quote.

MOUSER STOCK NO.	TE Part No.	Fig.	Number of Contacts	Description	Price Each		
					1	25	100
571-7948941	794894-1	C	2	In-line			
571-7948051	794805-1	C	4	Dual Row			
571-7948951	794895-1	C	6	Dual Row			
571-7948211	794821-1	C	8	Dual Row			
571-7947811	794781-1	C	10	Dual Row			

Cap Housings

For quantities greater than listed, call for quote.

MOUSER STOCK NO.	TE Part No.	Fig.	Number of Contacts	Description	Price Each		
					1	25	100
571-7948961	794896-1	D	2	In-line			
571-7949391	794939-1	D	4	Dual Row			
571-7949401	794940-1	D	6	Dual Row			
571-7949411	794941-1	D	8	Dual Row			
571-7949421	794942-1	D	10	Dual Row			

Seals

For quantities greater than listed, call for quote.

MOUSER STOCK NO.	TE Part No.	Fig.	Number of Contacts	Description	Price Each		
					1	25	100
571-7947722	794772-2	E	2	Interface Seal			
571-7947724	794772-4	E	4	Interface Seal			
571-7947726	794772-6	E	6	Interface Seal			
571-7947728	794772-8	E	8	Interface Seal			
571-17947720	1-794772-0	E	10	Interface Seal			
571-7949951	794995-1	F	-	Cavity Plug Seal			
571-7947581	794758-1	G	-	Cavity Wire Seal			

Keying Plug

• UL94V-0

For quantities greater than listed, call for quote.

MOUSER STOCK NO.	TE Part No.	Fig.	Description	Price Each		
				1	25	100
571-1746701	174670-1	H	Keying Plug			

MATE-N-LOK® Pin Contacts

** For use with both sealed and unsealed connectors.

For quantities greater than listed, call for quote.

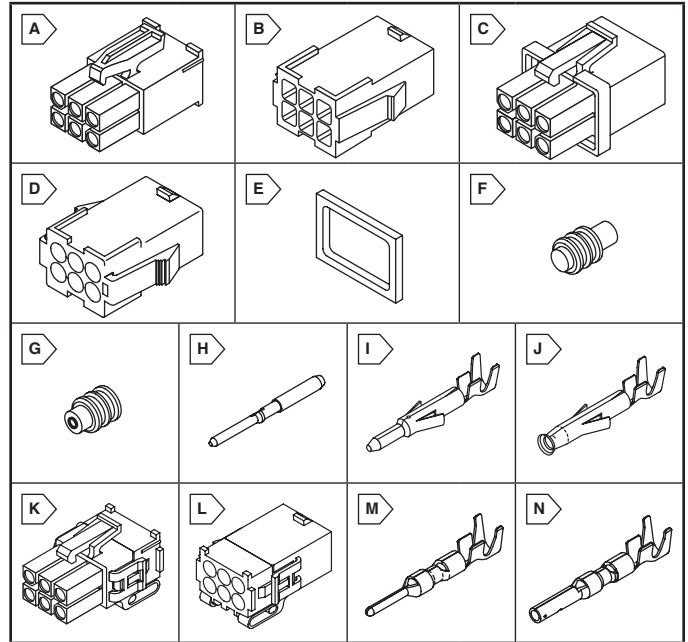
MOUSER STOCK NO.	TE Part No.	Fig.	Wire AWG	Finish	Price Each		
					1	100	500
571-794059-1	794059-1	I	30-26	Tin			
571-1-794059-0	1-794059-0	I	30-26	Gold			
571-7709851	770985-1	I	26-22	Tin			
571-1-770985-0	1-770985-0	I	26-22	Gold			
571-7709871	770987-1	I	22-18	Tin			
571-1-770987-0	1-770987-0	I	22-18	Gold			
571-1716381	171638-1	I	20-16	Tin			

MATE-N-LOK® Socket Contacts

** For use with both sealed and unsealed connectors.

For quantities greater than listed, call for quote.

MOUSER STOCK NO.	TE Part No.	Fig.	Wire AWG	Finish	Price Each		
					1	100	500
571-794058-1	794058-1	J	30-26	Tin			
571-770986-1	770986-1	J	26-22	Tin			
571-1-770986-0	1-770986-0	J	26-22	Gold			
571-770988-1	770988-1	J	22-18	Tin			
571-1-770988-0	1-770988-0	J	22-18	Gold			
571-1716391	171639-1	J	20-16	Tin			



MINI-UNIVERSAL MATE-N-LOK2® CONNECTORS

Features:

- Compact, durable housings
- Fully polarized

Specifications:

- Contacts accept wire size range 30-16AWG
- UL94V-0 flammability rated material
- Voltage rating: 600V AC or DC
- Dielectric Withstanding Voltage: 1.5VAC

Plug Housings

For quantities greater than listed, call for quote.

MOUSER STOCK NO.	TE Part No.	Fig.	Number of Contacts	Description	Price Each		
					1	25	100
571-794184-1	794184-1	K	2	In-line			
571-7941861	794186-1	K	3	In-line			
571-794188-1	794188-1	K	4	Dual row			
571-794190-1	794190-1	K	6	Dual row			
571-794192-1	794192-1	K	8	Dual row			
571-794196-1	794196-1	K	10	Dual row			
571-794198-1	794198-1	K	12	Dual row			
571-794202-1	794202-1	K	14	Dual row			
571-794206-1	794206-1	K	16	Dual row			
571-794208-1	794208-1	K	18	Dual row			
571-794210-1	794210-1	K	20	Dual row			
571-794212-1	794212-1	K	22	Dual row			
571-794214-1	794214-1	K	24	Dual row			
571-794194-1	794194-1	K	9	Matrix			
571-794200-1	794200-1	K	12	Matrix			
571-794204-1	794204-1	K	15	Matrix			

Cap Housings

For quantities greater than listed, call for quote.

MOUSER STOCK NO.	TE Part No.	Fig.	Number of Contacts	Description	Price Each		
					1	100	500
571-794185-1	794185-1	L	2	In-line			
571-794187-1	794187-1	L	3	In-line			
571-7941891	794189-1	L	4	Dual row			
571-794191-1	794191-1	L	6	Dual row			
571-794193-1	794193-1	L	8	Dual row			
571-794197-1	794197-1	L	10	Dual row			
571-794199-1	794199-1	L	12	Dual row			
571-794203-1	794203-1	L	14	Dual row			
571-794207-1	794207-1	L	16	Dual row			
571-794209-1	794209-1	L	18	Dual row			
571-794211-1	794211-1	L	20	Dual row			
571-794213-1	794213-1	L	22	Dual row			
571-794215-1	794215-1	L	24	Dual row			
571-794195-1	794195-1	L	9	Matrix			
571-794201-1	794201-1	L	12	Matrix			
571-794205-1	794205-1	L	15	Matrix			

MATE-N-LOK2® Pin Contacts

For quantities greater than listed, call for quote.

MOUSER STOCK NO.	TE Part No.	Fig.	Wire AWG	Finish	Price Each		
					1	100	500
571-1-794224-0	1-794224-0	M	30-26	Gold			
571-794226-1	794226-1	M	26-22	Tin			
571-1-794226-0	1-794226-0	M	26-22	Gold			
571-794228-1	794228-1	M	22-18	Tin			
571-1-794228-0	1-794228-0	M	22-18	Gold			
571-794230-1	794230-1	M	20-16	Tin			

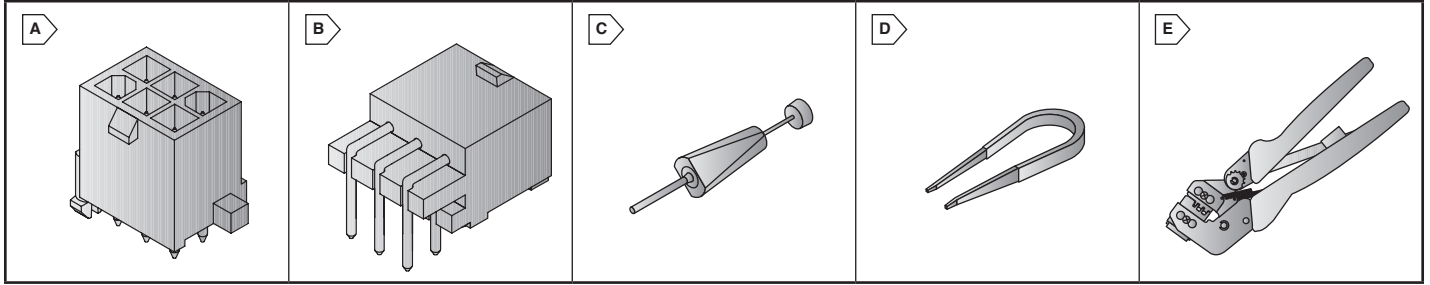
MATE-N-LOK2® Socket Contacts

For quantities greater than listed, call for quote.

MOUSER STOCK NO.	TE Part No.	Fig.	Wire AWG	Finish	Price Each		
					1	100	500
571-794225-1	794225-1	N	30-26	Tin			
571-1-794225-0	1-794225-0	N	30-26	Gold			
571-794227-1	794227-1	N	26-22	Tin			
571-1-794227-0	1-794227-0	N	26-22	Gold			
571-7942291	794229-1	N	22-18	Tin			
571-1-794229-0	1-794229-0	N	22-18	Gold			
571-794231-1	794231-1	N	20-16	Tin			
571-1-794231-0	1-794231-0	N	20-16	Gold			

TE Mini-Universal MATE-N-LOK® Headers

RoHS Compliant This product is RoHS compliant.



TE Mini-Universal MATE-N-LOK® connectors provide a highly reliable and economic means of grouping multiple-lead connections in today's computer, computer/peripheral equipment, business machines, entertainment centers, appliances, and other sophisticated commercial equipment. The electrical connector is an integral component in these applications. They also offer worldwide application approval because of their reliability and economy. Electrical functions have increased in complexity and new designs continually call for the maximum use of space. The Mini-Universal MATE-N-LOK® family of connectors offers the design and features to answer these modern industry requirements.

Features:

- Nylon white housing
- PCB thru mount
- UL94V-0 flammability rated material
- Fully polarized

Specifications:

- Voltage rating: 600V AC or DC
- Current: 9.5A

VERTICAL HEADERS WITH DRAIN HOLES



For quantities greater than listed, call for quote.

MOUSER STOCK NO.	TE Part No.	Fig.	No. of Contacts	Description	Finish	Price Each		
						1	25	100
571-1-770166-0	1-770166-0	A	2	In-Line	Tin			
571-1-770166-1	1-770166-1	A	2	In-Line	Gold			
571-1-770170-0	1-770170-0	A	3	In-Line	Tin			
571-1-770170-1	1-770170-1	A	3	In-Line	Gold			
571-1-770174-0	1-770174-0	A	4	Dual Row	Tin			
571-1-770174-1	1-770174-1	A	4	Dual Row	Gold			
571-1-770178-0	1-770178-0	A	6	Dual Row	Tin			
571-1-770178-1	1-770178-1	A	6	Dual Row	Gold			
571-1-794065-0	1-794065-0	A	8	Dual Row	Tin			
571-1-794065-1	1-794065-1	A	8	Dual Row	Gold			
571-1-770182-0	1-770182-0	A	9	Matrix	Tin			
571-1-770182-1	1-770182-1	A	9	Matrix	Gold			
571-1-770743-0	1-770743-0	A	10	Dual Row	Tin			
571-1-770743-1	1-770743-1	A	10	Dual Row	Gold			
571-1-770186-0	1-770186-0	A	12	Matrix	Tin			
571-1-770186-1	1-770186-1	A	12	Matrix	Gold			
571-1-794066-0	1-794066-0	A	12	Dual Row	Tin			
571-1-794066-1	1-794066-1	A	12	Dual Row	Gold			
571-1-794067-0	1-794067-0	A	14	Dual Row	Tin			
571-1-794067-1	1-794067-1	A	14	Dual Row	Gold			
571-1-770190-0	1-770190-0	A	15	Matrix	Tin			
571-1-794068-0	1-794068-0	A	16	Dual Row	Tin			
571-1-794068-1	1-794068-1	A	16	Dual Row	Gold			
571-1-794069-0	1-794069-0	A	18	Dual Row	Tin			
571-1-794069-1	1-794069-1	A	18	Dual Row	Gold			
571-1-794070-0	1-794070-0	A	20	Dual Row	Tin			
571-1-794070-1	1-794070-1	A	20	Dual Row	Gold			
571-1-794071-1	1-794071-1	A	22	Dual Row	Gold			
571-1-794072-0	1-794072-0	A	24	Dual Row	Tin			
571-1-794072-1	1-794072-1	A	24	Dual Row	Gold			

VERTICAL HEADERS WITHOUT DRAIN HOLES (CONT.)

For quantities greater than listed, call for quote.

MOUSER STOCK NO.	TE Part No.	Fig.	No. of Contacts	Description	Finish	Price Each		
						1	25	100
571-1-794075-0	1-794075-0	A	16	Dual Row	Tin			
571-1-794075-1	1-794075-1	A	16	Dual Row	Gold			
571-1-794076-0	1-794076-0	A	18	Dual Row	Tin			
571-1-794077-0	1-794077-0	A	20	Dual Row	Tin			
571-1-794077-1	1-794077-1	A	20	Dual Row	Gold			
571-1-794078-0	1-794078-0	A	22	Dual Row	Tin			
571-1-794078-1	1-794078-1	A	22	Dual Row	Gold			
571-1-794079-0	1-794079-0	A	24	Dual Row	Tin			
571-1-794079-1	1-794079-1	A	24	Dual Row	Gold			

RIGHT ANGLE HEADERS WITH BOARD LOCK



For quantities greater than listed, call for quote.

MOUSER STOCK NO.	TE Part No.	Fig.	No. of Contacts	Description	Finish	Price Each		
						1	25	100
571-1-770966-0	1-770966-0	B	2	In-Line	Tin			
571-1-770966-1	1-770966-1	B	2	In-Line	Gold			
571-1-770967-0	1-770967-0	B	3	In-Line	Tin			
571-1-770967-1	1-770967-1	B	3	In-Line	Gold			
571-1-770968-0	1-770968-0	B	4	Dual Row	Tin			
571-1-770968-1	1-770968-1	B	4	Dual Row	Gold			
571-1-770969-0	1-770969-0	B	6	Dual Row	Tin			
571-1-770969-1	1-770969-1	B	6	Dual Row	Gold			
571-1-770970-0	1-770970-0	B	8	Dual Row	Tin			
571-1-770970-1	1-770970-1	B	8	Dual Row	Gold			
571-1-770971-0	1-770971-0	B	10	Dual Row	Tin			
571-1-770971-1	1-770971-1	B	10	Dual Row	Gold			
571-1-770972-0	1-770972-0	B	12	Dual Row	Tin			
571-1-770972-1	1-770972-1	B	12	Dual Row	Gold			
571-1-770973-0	1-770973-0	B	14	Dual Row	Tin			
571-1-770973-1	1-770973-1	B	14	Dual Row	Gold			
571-1-770974-0	1-770974-0	B	16	Dual Row	Tin			
571-1-794105-0	1-794105-0	B	18	Dual Row	Tin			
571-1-794106-0	1-794106-0	B	20	Dual Row	Tin			
571-1-794106-1	1-794106-1	B	20	Dual Row	Gold			
571-1-794107-0	1-794107-0	B	22	Dual Row	Tin			
571-1-794108-0	1-794108-0	B	24	Dual Row	Tin			
571-1-794108-1	1-794108-1	B	24	Dual Row	Gold			

VERTICAL HEADERS WITHOUT DRAIN HOLES



For quantities greater than listed, call for quote.

MOUSER STOCK NO.	TE Part No.	Fig.	No. of Contacts	Description	Finish	Price Each		
						1	25	100
571-1-770872-0	1-770872-0	A	2	In-Line	Tin			
571-1-770872-1	1-770872-1	A	2	In-Line	Gold			
571-1-770873-0	1-770873-0	A	3	In-Line	Tin			
571-1-770873-1	1-770873-1	A	3	In-Line	Gold			
571-1-770874-0	1-770874-0	A	4	Dual Row	Tin			
571-1-770874-1	1-770874-1	A	4	Dual Row	Gold			
571-1-770875-0	1-770875-0	A	6	Dual Row	Tin			
571-1-770875-1	1-770875-1	A	6	Dual Row	Gold			
571-1-794073-0	1-794073-0	A	8	Dual Row	Tin			
571-1-794073-1	1-794073-1	A	8	Dual Row	Gold			
571-1-770876-0	1-770876-0	A	9	Matrix	Tin			
571-1-770858-1	1-770858-1	A	10	Dual Row	Gold			
571-1-794040-0	1-794040-0	A	12	Matrix	Tin			
571-1-770621-0	1-770621-0	A	12	Dual Row	Tin			
571-1-770621-1	1-770621-1	A	12	Dual Row	Gold			
571-1-794074-0	1-794074-0	A	14	Dual Row	Tin			
571-1-794074-1	1-794074-1	A	14	Dual Row	Gold			

TOOLS

For quantities greater than listed, call for quote.

MOUSER STOCK NO.	TE Part No.	Fig.	Description	Price Each
571-1897271	189727-1	C	Contact Extraction Tool	
571-4558301	455830-1	D	Contact Insertion Tool	
571-908701	90870-1	E	Pro-Crimper III with Die, 30-24 AWG	
571-90758-1	90758-1	E	Pro-Crimper III with Die, 26-22 AWG	
571-90759-1	90759-1	E	Pro-Crimper III with Die, 22-18 AWG	

COMMERCIAL MATE-N-LOK® CONNECTORS

Features:

- Fully polarized UL94V-2 housings, nylon
- Integral design locking devices
- Connectors can be panel mounted to .025" - .065" panels
- Contacts accept wire size range 24-14AWG

*Panel mount also

Specifications:

- Current rating: 7A
- Voltage rating: 300V
- Operating temperature: -20°C to +105°C



RoHS Compliant

Free Hanging, Pin Housings

For quantities greater than listed, call for quote.

MOUSER STOCK NO.	TE Part No.	Fig.	No. of Contacts	Housing Type	Price Each		
					1	50	100
571-14803500	1-480350-0	A	1	Detent lock			
571-14803510	1-480351-0	A	1	Positive lock			
* 571-14803190	1-480319-0	B	2	In-line version			
* 571-14803050	1-480305-0	C	3	In-line, detent lock			
571-14804260	1-480426-0	C	4	In-line, detent lock			
571-14803400	1-480340-0	D	6	Dual row, positive lock			
571-14803450	1-480345-0	D	8	Dual row, positive lock			
571-14803390	1-480339-0	D	10	Dual row, positive lock			

Free Hanging, Socket Housings

For quantities greater than listed, call for quote.

571-14803490	1-480349-0	E	1	In-line			
571-14807200	1-480720-0	F	2	In-line, positive lock			
571-14803180	1-480318-0	F	2	In-line			
571-14807210	1-480721-0	F	3	In-line, positive lock			
571-14803030	1-480303-0	F	3	In-line			
571-14807220	1-480722-0	F	4	In-line, positive lock			
571-14804240	1-480424-0	F	4	In-line			
571-7708271	770827-1	F	4	In-line, detent lock UL94V-0			
571-14802700	1-480270-0	G	6	Dual row, positive lock			
571-14802830	1-480283-0	G	8	Dual row, positive lock			
571-14802850	1-480285-0	G	10	Dual row, positive lock			
571-14802870	1-480287-0	G	12	Dual row, positive lock			
571-14804380	1-480438-0	G	16	Dual row, positive lock			

Panel Mount, Pin Housings

For quantities greater than listed, call for quote.

571-14803050	1-480305-0	C	3	In-line, detent lock			
571-14804260	1-480426-0	C	4	In-line, detent lock			
571-14802760	1-480276-0	H	6	Matrix, positive lock			
571-14802770	1-480277-0	H	9	Matrix, positive lock			
571-14802780	1-480278-0	H	12	Matrix, positive lock			
571-14803240	1-480324-0	H	15	Matrix, positive lock			

Panel Mount, Socket Housings

For quantities greater than listed, call for quote.

571-14803040	1-480304-0	I	3	In-line version			
571-14804250	1-480425-0	I	4	In-line version			
571-14802730	1-480273-0	J	6	Matrix version			
571-14802740	1-480274-0	J	9	Matrix version			
571-14802750	1-480275-0	J	12	Matrix version			
571-14803230	1-480323-0	J	15	Matrix version			

Motor Mount, Pin Housings

For quantities greater than listed, call for quote.

571-14802710	1-480271-0	K	6	Dual row, positive lock			
571-14802840	1-480284-0	K	8	Dual row, positive lock			
571-14802860	1-480286-0	K	10	Dual row, positive lock			
571-14802880	1-480288-0	K	12	Dual row, positive lock			
571-14804390	1-480439-0	K	16	Dual row, positive lock			

Motor Mount, Socket Housings

For quantities greater than listed, call for quote.

571-14802700	1-480270-0	G	6	Dual row, positive lock			
571-14802830	1-480283-0	G	8	Dual row, positive lock			
571-14802850	1-480285-0	G	10	Dual row, positive lock			
571-14802870	1-480287-0	G	12	Dual row, positive lock			
571-14804380	1-480438-0	G	16	Dual row, positive lock			

CONTACTS

Contacts to be used in Commercial MATE-N-LOK Housings only.

Features:

- Material: brass
- Pin length: .805"



RoHS Compliant

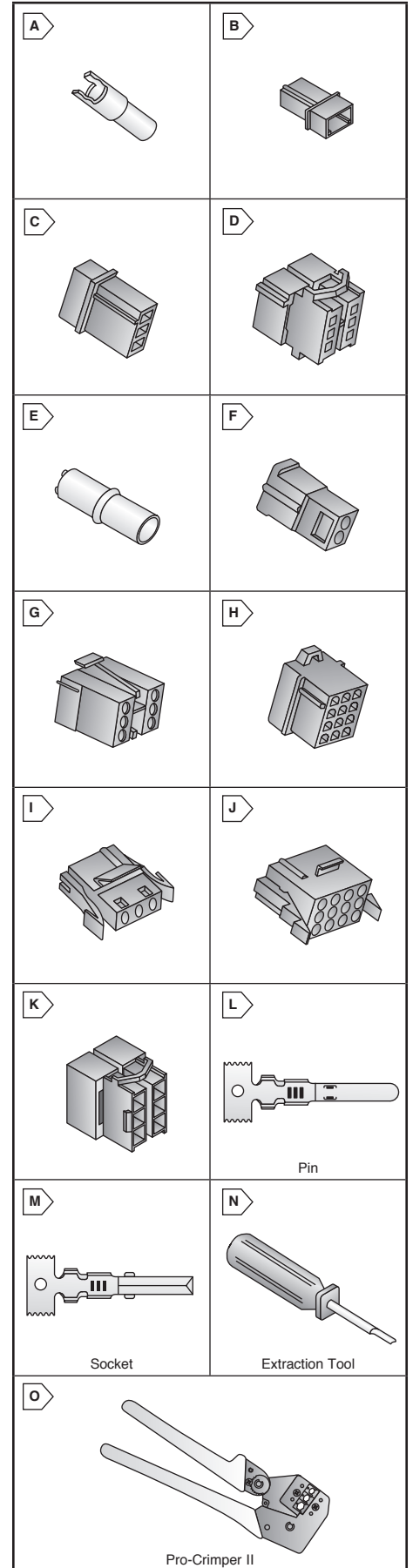
For quantities greater than listed, call for quote.

MOUSER STOCK NO.	TE Part No.	Fig.	Description	Finish	Price Each		
					1	100	500
571-606201	60620-1	L	Pin 20-14AWG	Tin			
571-606181	60618-1	L	Pin 24-18AWG	Tin			
571-60618-5	60618-5	L	Pin 24-18AWG	Gold			
571-606191	60619-1	M	Socket 20-14AWG	Tin			
571-606171	60617-1	M	Socket 24-18AWG	Tin			

TOOLS

For quantities greater than listed, call for quote.

MOUSER STOCK NO.	TE Part No.	Fig.	Description	Price Each
571-4656441	465644-1	N	Contact extraction tool	
571-905741	90574-1	O	24-18 AWG Pro-Crimper III	
571-580741	58074-1	-	Manual handle w/o head for IDC	



COMMERCIAL MATE-N-LOK® PC BOARD MOUNT CONNECTORS

Vertical Pin Headers

Features:

- Fully polarized UL94V-2 housings
- Integral design locking devices
- Contacts: Pre-tin plated phosphor bronze
- Housing: Nylon



For quantities greater than listed, call for quote.

MOUSER STOCK NO.	TE Part No.	Fig.	No. of Contacts	Housing Type	Mates With	Price Each		
						1	50	100
For Use With .062" PCB Thickness, Standard Tail								
571-3505391	350539-1	A	2	In-line, positive lock	571-14807200			
571-3502091	350209-1	B	2	In-line, detent lock	571-14803180			
571-3505411	350541-1	A	3	In-line, positive lock	571-14807210			
571-3502101	350210-1	B	3	In-line, detent lock	571-14803030			
571-3505431	350543-1	A	4	In-line, positive lock	571-14807220			
571-3502111	350211-1	B	4	In-line, detent lock	571-14804240			
571-13809990	1-380999-0	C	6	Dual row, positive lock	571-14802700			
571-3502121	350212-1	C	8	Dual row, positive lock	571-14802830			
571-13809910	1-380991-0	C	10	Dual row, positive lock	571-14802850			
571-3502131	350213-1	C	12	Dual row, positive lock	571-14802870			
571-3502141	350214-1	C	16	Dual row, positive lock	571-14804380			
For Use With .125" PCB Thickness, Long Tail								
571-3504241	350424-1	B	4	In-line, detent lock	571-14804240			

Vertical Socket Headers

- Housing: Nylon, UL94V-2
- Contacts: Phosphor bronze



For quantities greater than listed, call for quote.

MOUSER STOCK NO.	TE Part No.	No. of Contacts	Housing Type	Mates With	Price Each		
					1	50	100
571-7709971	770997-1	4	In-Line	571-14804260			

Insulation Displacement Connectors (IDC)

- 4 Circuit, In-line
- Housing: Nylon, UL94V-2
- Mates with 571-14804260, 571-3502111, 571-3504241
- Contact: Phosphor bronze
- Finish: Pre-tin



For quantities greater than listed, call for quote.

MOUSER STOCK NO.	TE Part No.	Fig.	Housing Type	Wire Size AWG	Color	Price Each		
						1	50	100
571-7701564	770156-4	D	In-line version	20	Yellow			
571-7701563	770156-3	D	In-line version	18	Orange			

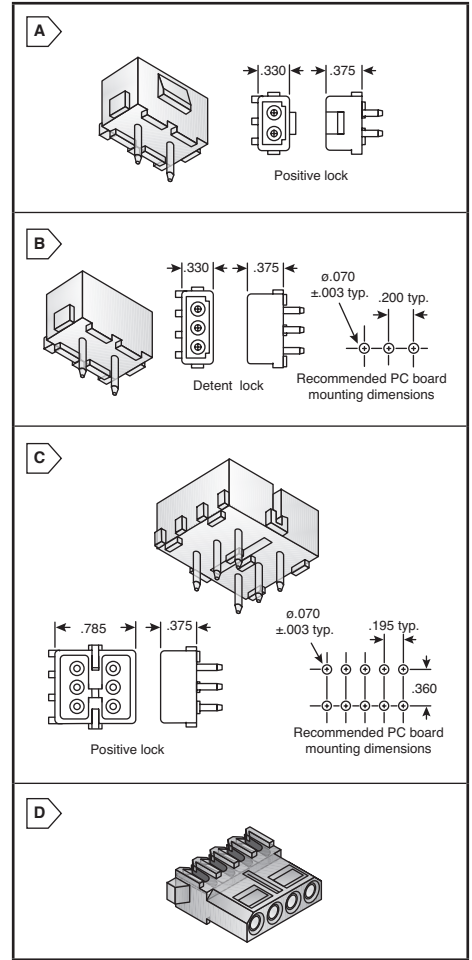
Dust Covers

- Housing: Polyester, white color, UL94V-2
- RoHS compliant per Tyco Electronics documentation



For quantities greater than listed, call for quote.

MOUSER STOCK NO.	TE Part No.	Description	Price Each		
			1	100	500
571-7702321	770232-1	For feed to wiring applications			



Rectangular Connectors TE Connectivity

UNIVERSAL MATE-N-LOK 2® CONNECTORS

TE MATE-N-LOK II Connectors offer the ultimate reliability in a softshell connector. They are designed for use where repair or replacement would be difficult. Available in 2-15 circuit sizes for free hanging or panel mount applications. Connectors consist of a front and rear housing section. Contacts are enclosed for shock protection. Terminals use "F" crimp termination.



Connectors

For quantities greater than listed, call for quote.

MOUSER STOCK NO.	TE Part No.	Fig.	No. of Contacts	Housing Type	Price Each		
					1	50	100
571-7700171	770017-1	A	2	Pin			
571-7700181	770018-1	B	3	Pin			
571-7700191	770019-1	B	4	Pin			
571-7700201	770020-1	C	6	Pin			
571-7700211	770021-1	D	9	Pin			
571-7700221	770022-1	D	12	Pin			
571-7700231	770023-1	D	15	Pin			
571-7700241	770024-1	E	2	Socket			
571-7700251	770025-1	F	3	Socket			
571-7700261	770026-1	F	4	Socket			
571-7700271	770027-1	G	6	Socket			
571-7700281	770028-1	H	9	Socket			
571-7700291	770029-1	H	12	Socket			
571-7700301	770030-1	H	15	Socket			

CONTACTS

Pin Contacts

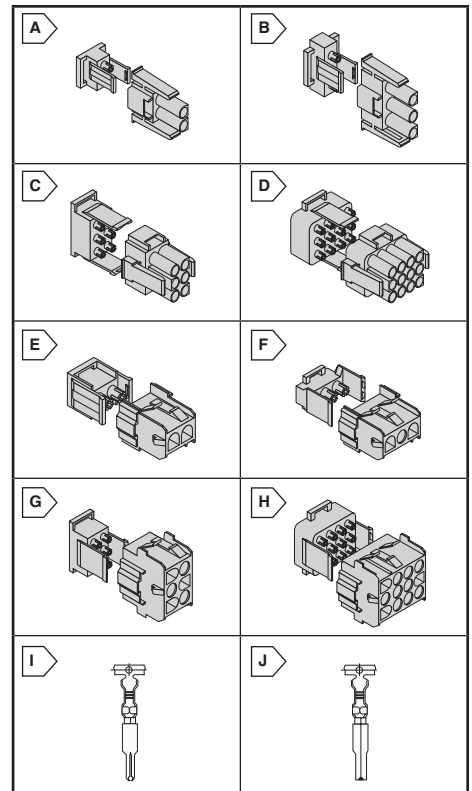
For quantities greater than listed, call for quote.

MOUSER STOCK NO.	TE Part No.	Fig.	Wire AWG	I.D. Range (in.)	Contact Material	Contact Plating	Price Each		
							1	100	500
571-7702521	770252-1	I	24-18	.040 - .100	Brass	Tin			
571-7702501	770250-1	I	20-14	.060 - .130	Brass	Tin			
571-1-770250-0	1-770250-0	I	20-14	.060 - .130	Brass	Gold			
571-7702481	770248-1	I	20-14	.130 - .200	Brass	Tin			
571-7702463	770246-3	I	12-10	.200 max.	Phos. bronze	Tin			

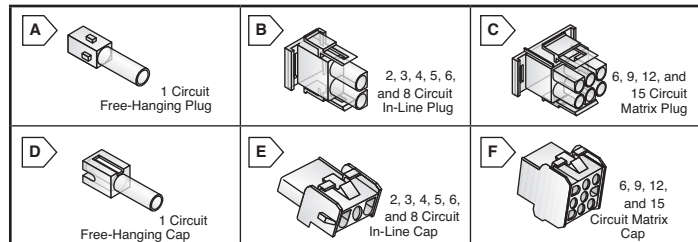
Socket Contacts

For quantities greater than listed, call for quote.

MOUSER STOCK NO.	TE Part No.	Fig.	Wire AWG	I.D. Range (in.)	Contact Material	Contact Plating	Price Each		
							1	100	500
571-7702533	770253-3	J	24-18	.040 - .100	Phos. bronze	Tin			
571-1-770253-0	1-770253-0	J	24-18	.040 - .100	Phos. bronze	Gold			
571-7702513	770253-3	J	20-14	.060 - .130	Phos. bronze	Tin			
571-1-770251-0	1-770251-0	J	20-14	.060 - .130	Phos. bronze	Gold			
571-7702493	770249-3	J	20-14	.130 - .200	Phos. bronze	Tin			



UNIVERSAL MATE-N-LOK® CONNECTORS



Specifications:

- Current rating is 15A
- .250" Contact center spacing



Plug Housings

For quantities greater than listed, call for quote.

MOUSER STOCK NO.	TE Part No.	Fig.	No. of Contacts	Price Each		
				1	50	100
UL94V-2 Nylon						
571-13508670	1-350867-0	A	1			
571-14806980	1-480698-0	B	2			
571-14807000	1-480700-0	B	3			
571-14807020	1-480702-0	B	4			
571-14807630	1-480763-0	B	5			
571-6405851	640585-1	B	6			
571-14807040	1-480704-0	C	6			
571-6405861	640586-1	B	8			
571-14807060	1-480706-0	C	9			
571-14807080	1-480708-0	C	12			
571-14807100	1-480710-0	C	15			
UL94V-0 White						
571-3508651	350865-1	A	1			
571-3507771	350777-1	B	2			
571-3507661	350766-1	B	3			
571-350779-1	350779-1	B	4			
571-3508091	350809-1	B	5			
571-6405811	640581-1	B	6			
571-350715-1	350715-1	C	6			
571-6405821	640582-1	B	8			
571-3507201	350720-1	C	9			
571-3507351	350735-1	C	12			
571-3507361	350736-1	C	15			

Cap Housings

For quantities greater than listed, call for quote.

MOUSER STOCK NO.	TE Part No.	Fig.	No. of Contacts	Price Each		
				1	50	100
UL94V-2 Nylon						
571-7704211	770421-1	D	1			
571-14806990	1-480699-0	E	2			
571-14807010	1-480701-0	E	3			
571-14807030	1-480703-0	E	4			
571-14807640	1-480764-0	E	5			
571-14807050	1-480705-0	F	6			
571-14807070	1-480707-0	F	9			
571-14807090	1-480709-0	F	12			
571-14807110	1-480711-0	F	15			
UL94V-0 White						
571-3508661	350866-1	D	1			
571-3507781	350778-1	E	2			
571-3507671	350767-1	E	3			
571-3507801	350780-1	E	4			
571-3508101	350810-1	E	5			
571-9263073	926307-3	E	6			
571-3507821	350782-1	F	9			
571-3507831	350783-1	F	12			
571-3507841	350784-1	F	15			

STRAIN RELIEFS

Strain relief part number represents one-half of a strain relief. Two pieces must be ordered to make a complete housing.

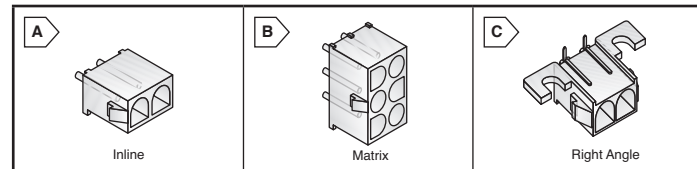


MOUSER STOCK NO.	TE Part No.	UL Rating	Price Each		
			1	50	100
2, 3, 4, 5, 6, & 8 Circuit In-Line					
571-3508111	350811-1	UL94V-0			
6, 9, 12, & 15 Circuit Matrix					
571-13505900	1-350590-0	UL94V-2			
571-3508121	350812-1	UL94V-0			

MOUSER STOCK NO.	TE Part No.	No. of Contacts	Price Each		
			1	50	100
UL 94V-0 Inline Enclosed					
571-6407131	640713-1	2			
571-6407141	640714-1	3			
571-6417761	641776-1	4			
571-6430301	643030-1	5			
UL 94V-0 Matrix Enclosed					
571-6407151	640715-1	6			
571-6407161	640716-1	9			
571-6407171	640717-1	12			
571-6407181	640718-1	15			

© Copyright 2014 Mouser Electronics

UNIVERSAL MATE-N-LOK® CONNECTORS - PCB MOUNT



Specifications:

- 500VAC voltage rating
- Up to 15A current rating (using 14AWG wire)
- Contacts: tin or gold plated

Features:

- Pin or socket contacts included
- Phosphor bronze contacts
- .062 PCB thickness



Vertical Pin Headers

For quantities greater than listed, call for quote.

MOUSER STOCK NO.	TE Part No.	Fig.	No. of Contacts	Price Each		
				1	50	100
UL94V-0 White						
571-3507861	350786-1	A	2			
571-3507891	350789-1	A	3			
571-3507921	350792-1	A	4			
571-6418281	641828-1	A	8			
571-3507111	350711-1	B	6			
571-3507121	350712-1	B	9			
571-3507141	350714-1	B	15			
UL94V-2 Nylon						
571-3504281	350428-1	A	2			
571-3504291	350429-1	A	3			
571-3504301	350430-1	A	4			
571-6404661	640466-1	A	5			
571-6418321	641832-1	A	6			
571-6418251	641825-1	A	8			
571-3504311	350431-1	B	6			
571-3504321	350432-1	B	9			
571-3504331	350433-1	B	12			
571-3504341	350434-1	B	15			

Vertical Socket Headers

For quantities greater than listed, call for quote.

MOUSER STOCK NO.	TE Part No.	Fig.	No. of Contacts	Price Each		
				1	50	100
UL94V-0 White						
571-3508241	350824-1	A	2			
571-350826-1	350826-1	A	4			
571-350827-1	350827-1	B	6			
571-3508281	350828-1	B	9			
571-3508291	350829-1	B	12			
UL94V-2 Nylon						
571-3507594	350759-4	A	2			
571-3507604	350760-4	A	3			
571-3507614	350761-4	A	4			
571-3507624	350762-4	B	6			
571-3507654	350765-4	B	15			

Right Angle Headers

For quantities greater than listed, call for quote.

MOUSER STOCK NO.	TE Part No.	Fig.	No. of Contacts	Price Each		
				1	50	100
571-13509420	1-350942-0	C	2			
571-13509430	1-350943-0	C	3			
571-13509440	1-350944-0	C	4			
571-6405831	640583-1	C	6			
571-6405841	640584-1	C	8			

CONTACTS

Features:

- Pin length: .805"
- Socket length: .695"
- For use with Universal Mate-N-Lok Housings only



For quantities greater than listed, call for quote.

MOUSER STOCK NO.	TE Part No.	Fig.	Wire Gauge AWG	Description	Price Each		
					1	50	100
571-3505471	350547-1	A	20-14	Pin, brass/pre-tin			
571-3505472	350547-2	A	20-14	Pin, brass/gold			
571-3505477	350547-7	A	20-14	Pin, brass/select gold			
571-3505473	350547-3	A	20-14	Pin, phos. brz/pre-tin			
571-3506901	350690-1	A	24-18	Pin, brass/pre-tin			
571-3505501	350550-1	B	20-14	Socket, brass/pre-tin			
571-3506891	350689-1	B	24-18	Socket, brass/pre-tin			

TOOLS

MOUSER STOCK NO.	TE Part No.	Description	Price Each
571-905481	90548-1	24-18 AWG Pro-Crimper III	
571-905461	90546-1	20-14 AWG Pro-Crimper III	
571-4558301	455830-1	Contact Insertion Tool	
571-1804030-1	1804030-1	Contact Extraction Tool	

© Copyright 2014 Mouser Electronics

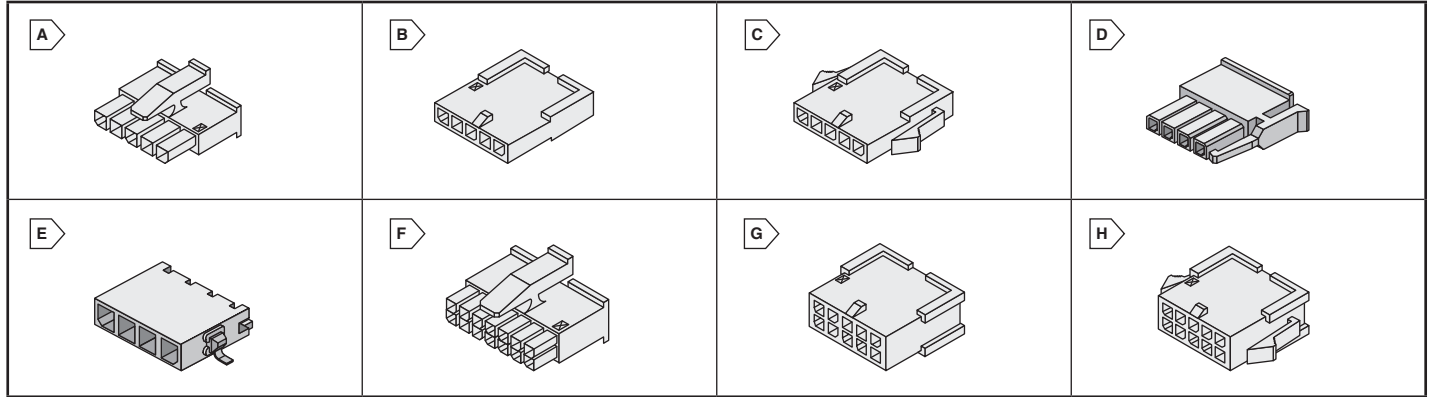
RoHS Compliant **This product is RoHS compliant.**
Specifications:

Features:

- Small form factor for space considerations
- Improved reliability and normal force
- Provides for proper mating of housings

- 3mm Pitch
- Dual Beam Contact Design
- Wire-to-Board connector system
- Allows for SMT processing

- Housing: Nylon, Black, UL94V-0
- Contacts: Brass (Plug); Phosphor Bronze (Receptacle)
- Voltage Rating: 250V
- Current Rating: 5A max.
- Contact Resistance: 20 m max.
- Temperature: -40°C to +105°C



SINGLE ROW CONNECTOR SYSTEM

Receptacle Housings

For quantities greater than listed, call for quote.

MOUSER STOCK NO.	TE Part No.	Fig.	No. of Positions	Price Each				
				1	25	50	100	250
571-14450222	1445022-2	A	2					
571-14450223	1445022-3	A	3					
571-14450224	1445022-4	A	4					
571-14450225	1445022-5	A	5					
571-14450226	1445022-6	A	6					
571-14450227	1445022-7	A	7					
571-14450228	1445022-8	A	8					
571-14450229	1445022-9	A	9					
571-114450220	1-1445022-0	A	10					
571-114450222	1-1445022-2	A	12					

Plug Housings - Free Hanging

For quantities greater than listed, call for quote.

MOUSER STOCK NO.	TE Part No.	Fig.	No. of Positions	Price Each				
				1	25	50	100	250
571-14450492	1445049-2	B	2					
571-14450493	1445049-3	B	3					
571-14450494	1445049-4	B	4					
571-14450495	1445049-5	B	5					
571-14450497	1445049-7	B	7					
571-14450498	1445049-8	B	8					
571-14450499	1445049-9	B	9					
571-114450490	1-1445049-0	B	10					
571-114450491	1-1445049-1	B	11					
571-114450492	1-1445049-2	B	12					

Plug Housings - Panel Mount

For quantities greater than listed, call for quote.

MOUSER STOCK NO.	TE Part No.	Fig.	No. of Positions	Price Each				
				1	25	50	100	250
571-14450482	1445048-2	C	2					
571-14450483	1445048-3	C	3					
571-14450484	1445048-4	C	4					
571-14450485	1445048-5	C	5					
571-14450486	1445048-6	C	6					
571-14450487	1445048-7	C	7					
571-1445048-8	1445048-8	C	8					
571-1445048-9	1445048-9	C	9					
571-114450480	1-1445048-0	C	10					
571-114450482	1-1445048-2	C	12					

MICRO MATE-N-LOK CONNECTORS - LOW PROFILE

Features:

- New side latch feature allows for an ultra-low profile (less than 4.7mm)
- Positive latching housings help prevent connector unmatching
- Polarized housings help prevent connector mismatching
- Surface mount hold-downs provide robust header support
- Utilizes standard Micro MATE-N-LOK contacts

Applications:

- Designed specifically for LED lighting applications
- Consumer Lighting: Shelf/Cabinet Lighting, Under-counter Illumination, Cove Lighting
- Commercial Lighting: Signage, Freezer/Refrigerator, Display Case

For quantities greater than listed, call for quote.

MOUSER STOCK NO.	TE Part No.	Fig.	No. of Positions	Color	Price Each		
					1	25	100
Receptacle Housings							
571-2029047-2	2029047-2	D	2	Black			
571-2029047-4	2029047-4	D	4	Black			
571-2029102-2	2029102-2	D	2	Natural			
571-2029102-3	2029102-3	D	3	Natural			
571-2029102-4	2029102-4	D	4	Natural			
Right Angle Surface Mount Headers							
571-2029030-2	2029030-2	E	2	Black			
571-2029030-3	2029030-3	E	3	Black			

DUAL ROW CONNECTOR SYSTEM

Receptacle Housings

For quantities greater than listed, call for quote.

MOUSER STOCK NO.	TE Part No.	Fig.	No. of Positions	Price Each				
				1	25	50	100	250
571-794617-2	794617-2	F	2					
571-794617-4	794617-4	F	4					
571-794617-6	794617-6	F	6					
571-794617-8	794617-8	F	8					
571-1794617-0	1-794617-0	F	10					
571-1794617-2	1-794617-2	F	12					
571-1794617-4	1-794617-4	F	14					
571-1794617-6	1-794617-6	F	16					
571-1794617-8	1-794617-8	F	18					
571-2794617-0	2-794617-0	F	20					
571-2794617-4	2-794617-4	F	24					

Plug Housings - Free Hanging

For quantities greater than listed, call for quote.

MOUSER STOCK NO.	TE Part No.	Fig.	No. of Positions	Price Each				
				1	25	50	100	250
571-794616-2	794616-2	G	2					
571-794616-4	794616-4	G	4					
571-794616-6	794616-6	G	6					
571-794616-8	794616-8	G	8					
571-1794616-0	1-794616-0	G	10					
571-1794616-2	1-794616-2	G	12					
571-1794616-4	1-794616-4	G	14					
571-1794616-6	1-794616-6	G	16					
571-2794616-2	2-794616-2	G	22					
571-2794616-4	2-794616-4	G	24					

Plug Housings - Panel Mount

For quantities greater than listed, call for quote.

MOUSER STOCK NO.	TE Part No.	Fig.	No. of Positions	Price Each				
				1	25	50	100	250
571-794615-2	794615-2	H	2					
571-794615-4	794615-4	H	4					
571-794615-6	794615-6	H	6					
571-794615-8	794615-8	H	8					
571-1794615-0	1-794615-0	H	10					
571-1794615-2	1-794615-2	H	12					
571-1794615-4	1-794615-4	H	14					
571-1-794615-8	1-794615-8	H	18					
571-2794615-0	2-794615-0	H	20					
571-2-794615-4	2-794615-4	H	24					

CONTACTS

For quantities greater than listed, call for quote.

MOUSER STOCK NO.	TE Part No.	AWG	Plating	Price Each			
				1	100	500	1000
Sockets							
571-794610-1	794610-1	20-24	Tin				
571-1-794610-1	1-794610-1	20-24	15µ" Gold				
571-1-794610-2	1-794610-2	20-24	30µ" Gold				
571-794611-1	794611-1	26-30	Tin				
571-1-794611-1	1-794611-1	26-30	15µ" Gold				
571-1-794611-2	1-794611-2	26-30	30µ" Gold				
Pins							
571-1-794612-0	1-794612-0	20-24	Tin				
571-1-794612-1	1-794612-1	20-24	15µ" Gold				
571-1-794612-2	1-794612-2	20-24	30µ" Gold				
571-1-794613-0	1-794613-0	26-30	Tin				
571-1-794613-1	1-794613-1	26-30	15µ" Gold				
571-1-794613-2	1-794613-2	26-30	30µ" Gold				

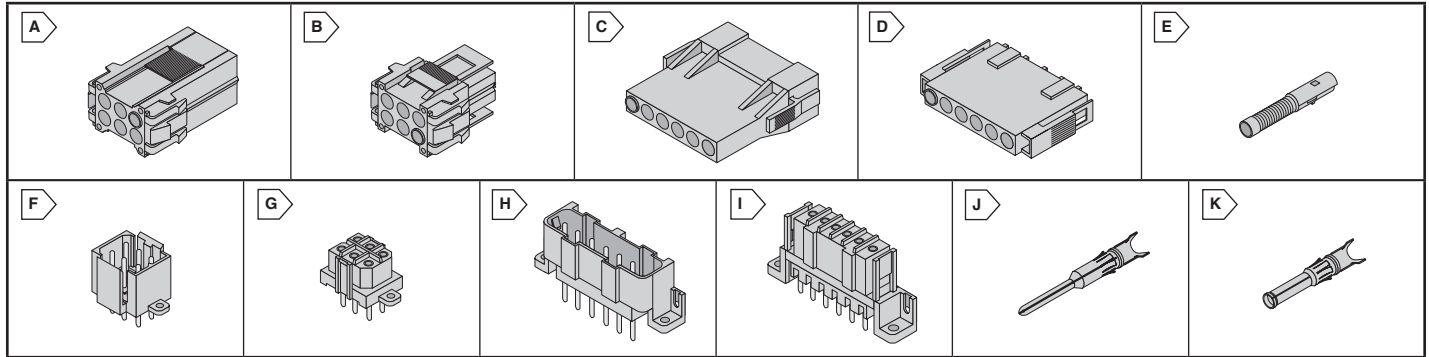
TOOLS

For quantities greater than listed, call for quote.

MOUSER STOCK NO.	TE Part No.	AWG	Description	Price Each
571-91501-1	91501-1	20-24	Hand Tool & Die	
571-8439966	843996-6	- - -	Extraction Tool	

TE Metrimate Pin and Socket Connectors

RoHS Compliant This product is RoHS compliant.



TE Metrimate connectors are true metric specification connectors designed for panel, free-hanging or PC board application. These connectors offer improvements in durability, density and electrical performance over soft-shell pin and socket connectors.

HOUSINGS

Square Grid Housing

Specifications:

- Polarized housings
- Housings made of UL94V-0 rated thermoplastic
- Certified to ISO 9001



For quantities greater than listed, call for quote.

MOUSER STOCK NO.	TE Part No.	Fig.	Number of Positions	Price Each		
				1	25	100
Receptacle						
571-2070161	207016-1	A	4			
571-2071531	207153-1	A	6			
571-2074401	207440-1	A	9			
571-207018-1	207018-1	A	12			
571-2074431	207443-1	A	18			
571-2073051	207305-1	A	24			
571-2070201	207020-1	A	36			
Plug						
571-2070151	207015-1	B	4			
571-2071521	207152-1	B	6			
571-207439-1	207439-1	B	9			
571-2070171	207017-1	B	12			
571-2074421	207442-1	B	18			
571-2073041	207304-1	B	24			
571-2070191	207019-1	B	36			

In-Line Housing

Specifications:

- Housings made of UL94V-0 rated thermoplastic
- Certified to ISO 9001



For quantities greater than listed, call for quote.

MOUSER STOCK NO.	TE Part No.	Fig.	Number of Positions	Price Each		
				1	25	100
Receptacle						
571-2073591	207359-1	C	3			
571-2073761	207376-1	C	6			
571-2073971	207397-1	C	10			
571-2075431	207543-1	C	16			
Plug						
571-2073601	207360-1	D	3			
571-2073771	207377-1	D	6			
571-207396-1	207396-1	D	10			
571-2075421	207542-1	D	16			
Hermaphroditic Housing						
571-211076-1	211076-1	E	1			

HEADERS

Square Grid Vertical Headers

Specifications:

- RoHS compliant per Tyco Electronics Documentation
- 5mm (.197") Centerline
- 600V, 14A max.
- Polarized housings
- Housings made of UL94V-0 rated thermoplastic
- Certified to ISO 9001



For quantities greater than listed, call for quote.

MOUSER STOCK NO.	TE Part No.	Fig.	No. of Positions	Plating	Price Each		
					1	25	100
Pin							
571-207119-8	207119-8	F	4	Tin			
571-1-207119-0	1-207119-0	F	4	Gold			
571-207158-7	207158-7	F	6	Tin			
571-1-207158-0	1-207158-0	F	6	Gold			
571-207441-7	207441-7	F	9	Tin			
571-1-207441-0	1-207441-0	F	9	Gold			
571-207120-9	207120-9	F	12	Tin			
571-207120-8	207120-8	F	12	Gold			
571-207444-9	207444-9	F	18	Tin			
571-207444-8	207444-8	F	18	Gold			
571-1-206763-1	1-206763-1	F	24	Tin			
571-1-206763-3	1-206763-3	F	24	Gold			
571-207121-8	207121-8	F	36	Tin			
571-207121-9	207121-9	F	36	Gold			

Square Grid Vertical Headers

For quantities greater than listed, call for quote.

MOUSER STOCK NO.	TE Part No.	Fig.	No. of Positions	Plating	Price Each		
					1	25	100
Socket							
571-207496-7	207496-7	G	4	Tin			
571-207524-7	207524-7	G	6	Tin			
571-207524-9	207524-9	G	6	Gold			
571-207526-9	207526-9	G	9	Gold			
571-207528-7	207528-7	G	12	Tin			
571-207528-9	207528-9	G	12	Gold			
571-207530-7	207530-7	G	18	Tin			
571-1-207532-0	1-207532-0	G	24	Gold			
571-207534-8	207534-8	G	36	Tin			

In-Line Vertical Headers

For quantities greater than listed, call for quote.

MOUSER STOCK NO.	TE Part No.	Fig.	No. of Positions	Plating	Price Each		
					1	25	100
Pin							
571-207365-8	207365-8	H	3	Gold			
571-207583-6	207583-6	H	6	Tin			
571-207583-7	207583-7	H	6	Gold			
571-207584-7	207584-7	H	10	Tin			
571-207584-8	207584-8	H	10	Gold			
571-207599-6	207599-6	H	16	Tin			
571-207599-7	207599-7	H	16	Gold			
Socket							
571-207609-6	207609-6	I	3	Tin			
571-207609-7	207609-7	I	3	Gold			
571-207611-7	207611-7	I	6	Gold			
571-207613-6	207613-6	I	10	Tin			
571-207613-7	207613-7	I	10	Gold			
571-207615-6	207615-6	I	16	Tin			
571-207615-7	207615-7	I	16	Gold			

CONTACTS

Plating:

- (a) Bright Tin
- (b) Gold 30µ over Nickel 50µ



For quantities greater than listed, call for quote.

MOUSER STOCK NO.	TE Part No.	Fig.	Wire Size AWG	Plating	Price Each		
					1	100	1000
Pin Contacts							
571-1-66107-1	1-66107-1	J	26-24	a			
571-661074	66107-4	J	26-24	b			
571-1-66103-8	1-66103-8	J	24-20	a			
571-66103-4	66103-4	J	24-20	b			
571-1-66099-5	1-66099-5	J	18-16	a			
571-66099-4	66099-4	J	18-16	b			
Socket Contacts							
571-1-66109-7	1-66109-7	K	26-24	a			
571-661094	66109-4	K	26-24	b			
571-1-66105-9	1-66105-9	K	24-20	a			
571-66105-4	66105-4	K	24-20	b			
571-1-66101-9	1-66101-9	K	18-16	a			
571-66101-4	66101-4	K	18-16	b			

TOOLS

MOUSER STOCK NO.	TE Part No.	Description	Price Each
571-305183	305183	Contact Removal Tool	
571-584951	58495-1	26-16 AWG Pro-Crimper III	
571-91523-1	91523-1	Crimp Tool, 24-16 AWG	
571-91505-1	91505-1	Crimp Tool 18-16 AWG	

TE (MR) Miniature Rectangular Connectors

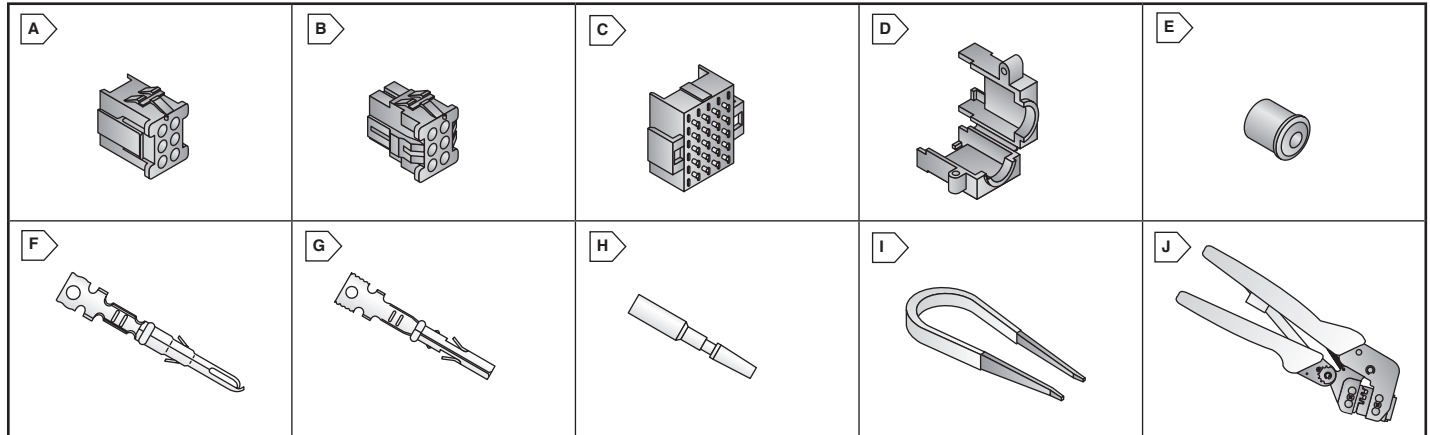
The (MR) Series connector family consists of UL94V-0, soft shell nylon housings, contacts, strain reliefs, and PCB headers. Housings lock to prevent accidental disengagement and are designed for free-hanging or panel mount applications. Socket housing utilize an egg crate design, fully enclosing socket contacts reducing shock hazard. High density design is achieved through .165" contact centerline spacing.

Features:

- Positive lock design
- Protected contacts reduce shock hazard
- Polarized for proper mating
- Numbered cavities simplify circuit identification

Specifications:

- .165" contact centerline spacing
- UL94V-0 flammability rating
- 26-18AWG wire size
- UL Recognized, CSA Certified



PIN HOUSINGS (CAP)

- .165" Centerline Spacing
- UL94V-0
- Free Hanging or Panel Mount
- Nylon, Natural Color - Brick Red



(Order contacts separately)

For quantities greater than listed, call for quote.

MOUSER STOCK NO.	TE Part No.	Fig.	No. of Circuits	Circuit Pattern	Price Each			
					1	10	100	500
571-16405070	1-640507-0	A	2	In-line				
571-16405080	1-640508-0	A	3	In-line				
571-16405090	1-640509-0	A	4	Matrix				
571-16405100	1-640510-0	A	6	Matrix				
571-16405110	1-640511-0	A	9	Matrix				
571-16405120	1-640512-0	A	12	Matrix				
571-16405130	1-640513-0	A	15	Matrix				
571-16405140	1-640514-0	A	20	Matrix				
571-16405150	1-640515-0	A	24	Matrix				

STRAIN RELIEFS

- One piece clam shell design
- Use with pin or socket housings
- Color: Brick Red
- UL94V-0



For quantities greater than listed, call for quote.

MOUSER STOCK NO.	TE Part No.	Fig.	No. of Circuits	I.D. (in.)	Price Each			
					1	10	100	500
571-3503731	350373-1	D	6	.374				
571-3505221	350522-1	D	9	.420				
571-3505231	350523-1	D	15	.420				
571-3505241	350524-1	D	24	.560				

ADAPTING GROMMETS

- Housing: Flexible PVC, black color



For quantities greater than listed, call for quote.

MOUSER STOCK NO.	TE Part No.	Fig.	No. of Circuits	I.D. (in.)	Price Each			
					1	10	100	500
571-2-350376-0	2-350376-0	E	6	.218				
571-2-350375-0	2-350375-0	E	6	.296				
571-2-350379-1	2-350379-1	E	9, 12, 15	.250				
571-2-350380-1	2-350380-1	E	9, 12, 15	.281				
571-2-380936-0	2-380936-0	E	20, 24, 36	.375				

SOCKET HOUSINGS (PLUG)

- .165" Centerline Spacing
- UL94V-0
- Free Hanging or Panel Mount
- Nylon, Natural Color - Brick Red



(Order contacts separately)

For quantities greater than listed, call for quote.

MOUSER STOCK NO.	TE Part No.	Fig.	No. of Circuits	Circuit Pattern	Price Each			
					1	10	100	500
571-16405170	1-640517-0	B	2	In-line				
571-16405180	1-640518-0	B	3	In-line				
571-16405190	1-640519-0	B	4	Matrix				
571-16405200	1-640520-0	B	6	Matrix				
571-16405210	1-640521-0	B	9	Matrix				
571-16405220	1-640522-0	B	12	Matrix				
571-16405230	1-640523-0	B	15	Matrix				
571-16405240	1-640524-0	B	20	Matrix				
571-16405250	1-640525-0	B	24	Matrix				

MINIATURE RECTANGULAR CONTACTS



Live Split Pin Contacts

- .068" pin diameter
- Contact: Phosphor Bronze

For quantities greater than listed, call for quote.

MOUSER STOCK NO.	TE Part No.	Fig.	Wire AWG	Finish	Price Each			
					1	100	500	1000
571-6405451	640545-1	F	26-18	Pre-Tin				
571-6405452	640545-2	F	26-18	Gold				

Socket Contacts

For quantities greater than listed, call for quote.

MOUSER STOCK NO.	TE Part No.	Fig.	Wire AWG	Finish	Price Each			
					1	100	500	1000
571-6413001	641300-1	G	26-18	Pre-Tin				
571-6413002	641300-2	G	26-18	Gold				

PC BOARD VERTICAL PIN HEADERS

- .165" centerline spacing
- Contact: Phosphor Bronze



For quantities greater than listed, call for quote.

MOUSER STOCK NO.	TE Part No.	Fig.	No. of Circuits	PCB Thick (in.)	Contact Finish	Price Each		
						1	10	100
571-6404981	640498-1	C	3	.062	Tin			
571-6404991	640499-1	C	4	.062	Tin			
571-6405001	640500-1	C	6	.062	Tin			
571-6405011	640501-1	C	9	.062	Tin			
571-6405031	640503-1	C	15	.062	Tin			
571-6405041	640504-1	C	20	.062	Tin			

KEYING PLUG

- UL94V-0 Nylon



For quantities greater than listed, call for quote.

MOUSER STOCK NO.	TE Part No.	Fig.	Description	Price Each			
				1	100	500	1000
571-3505911	350591-1	H	Use in socket housings only				

TOOLS

For quantities greater than listed, call for quote.

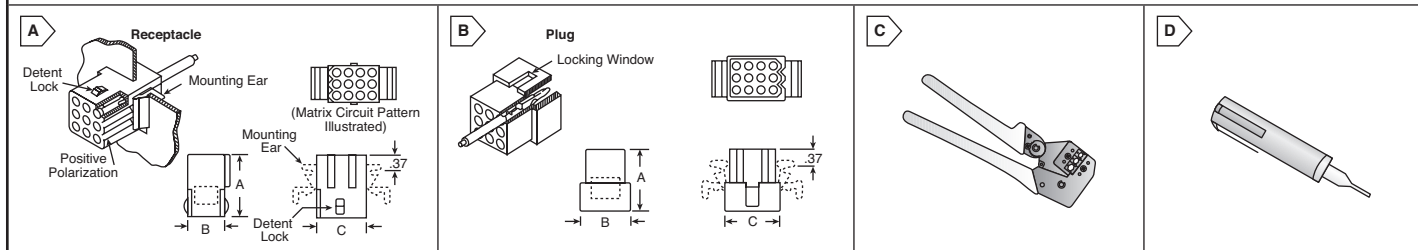
MOUSER STOCK NO.	TE Part No.	Fig.	Description	Price Each
571-585141	58514-1	J	PRO-CRIMPER III Hand Tool	

TE Pin and Socket Connectors and Tools

(.062" and .093")



DIMENSIONS: in.



These nylon housing connectors are used throughout the world in appliances, televisions, electronic games, business machines, and computers. All items are UL recognized (file no. E28476) and CSA listed (file no. LR-16455-101). These connectors are totally interchangeable/interchangeable (housing for housing; contact for contact; assembly for assembly) with industry standard connectors of the same type.

.062" TERMINAL HOUSINGS

- .145" grid spacing
- UL94V-2 nylon natural color
- Accepts 30-18AWG wire
- Polarized



RoHS Compliant

.093" TERMINAL HOUSINGS (CONT.)



RoHS Compliant

Free-Hanging Receptacles

For quantities greater than listed, call for quote.

MOUSER STOCK NO.	TE Part No.	Fig.	No. of Circuits	Circuit Pattern	Dimensions: in.			Price Each		
					A	B	C	1	10	100
571-7702771	770277-1	A	1	In-line	.785	---	---			
571-7703421	770342-1	A	2	In-line	.820	.199	.340			
571-7703331	770333-1	A	3	In-line	.785	.199	.490			
571-7702741	770274-1	A	4	In-line	.785	.199	.635			
571-7704421	770442-1	A	4	Matrix	.878	.345	.345			
571-7703561	770356-1	A	6	Matrix	.785	.495	.345			
571-7704291	770429-1	A	9	Matrix	.790	.495	.490			

Panel Mount Plugs

For quantities greater than listed, call for quote.

MOUSER STOCK NO.	TE Part No.	Fig.	No. of Circuits	Circuit Pattern	Dimensions: in.			Price Each		
					A	B	C	1	10	100
571-7700681	770068-1	B	2	In-line	1.095	.340	.640			
571-7700731	770073-1	B	3	In-line	1.095	.340	.770			
571-7700771	770077-1	B	4	In-line	1.095	.340	.970			
571-7700891	770089-1	B	6	Matrix	.970	.735	.535			
571-7701061	770106-1	B	15	Matrix	.970	.735	1.170			

Free-Hanging Plugs

For quantities greater than listed, call for quote.

MOUSER STOCK NO.	TE Part No.	Fig.	No. of Circuits	Circuit Pattern	Dimensions: in.			Price Each		
					A	B	C	1	10	100
571-7702781	770278-1	B	1	In-line	.750	---	---			
571-7703401	770340-1	B	2	In-line	.780	.300	.440			
571-7703311	770331-1	B	3	In-line	.750	.300	.590			
571-7702751	770275-1	B	4	In-line	.750	.300	.733			
571-7704331	770433-1	B	4	Matrix	.868	.445	.445			
571-7703551	770355-1	B	6	Matrix	.750	.600	.445			
571-7704281	770428-1	B	9	Matrix	.750	.600	.590			

Free-Hanging Plugs

For quantities greater than listed, call for quote.

MOUSER STOCK NO.	TE Part No.	Fig.	No. of Circuits	Circuit Pattern	Dimensions: in.			Price Each		
					A	B	C	1	10	100
571-7700641	770064-1	B	1	In-line	.970	.245	---			
571-7700691	770069-1	B	2	In-line	1.095	.340	.640			
571-7700741	770074-1	B	3	In-line	1.095	.340	.770			
571-7700781	770078-1	B	4	In-line	1.095	.340	.970			
571-7700841	770084-1	B	5	In-line	.970	.340	1.170			
571-7700901	770090-1	B	6	Matrix	.970	.735	.535			
571-7700961	770096-1	B	9	Matrix	.970	.735	.770			
571-7701021	770102-1	B	12	Matrix	.970	.735	.970			
571-7701071	770107-1	B	15	Matrix	.970	.735	1.170			

.093" TERMINAL HOUSINGS

- .198" centerline spacing
- Accepts 24-14AWG wire
- UL94V-2 nylon, natural color
- Polarized



RoHS Compliant

PIN AND SOCKET CONTACTS



RoHS Compliant

Panel Mount Receptacles, without Detent Lock

For quantities greater than listed, call for quote.

MOUSER STOCK NO.	TE Part No.	Fig.	No. of Circuits	Circuit Pattern	Dimensions: in.			Price Each		
					A	B	C	1	10	100
571-7700851	770085-1	A	6	Matrix	1.000	.635	.435			
571-7700911	770091-1	A	9	Matrix	1.000	.635	.670			
571-7700971	770097-1	A	12	Matrix	1.000	.635	.870			
571-7701031	770103-1	A	15	Matrix	1.000	.635	1.070			

For use with .062" Terminal Housings

For quantities greater than listed, call for quote.

MOUSER STOCK NO.	TE Part No.	Style	Wire Size (AWG)	Finish and Materials	Price Each			
					1	100	500	1000
571-7940181	794018-1	Pin	30-24	Tin over brass				
571-7940171	794017-1	Pin	24-18	Tin over brass				
571-7940191	794019-1	Socket	30-24	Tin over brass				
571-7940161	794016-1	Socket	24-18	Tin over brass				

Panel Mount Receptacles, with Detent Lock

For quantities greater than listed, call for quote.

MOUSER STOCK NO.	TE Part No.	Fig.	No. of Circuits	Circuit Pattern	Dimensions: in.			Price Each		
					A	B	C	1	10	100
571-7700661	770066-1	A	2	In-line	1.125	.240	.540			
571-7700711	770071-1	A	3	In-line	1.125	.240	.670			
571-7700761	770076-1	A	4	In-line	1.125	.240	.870			
571-7700871	770087-1	A	6	Matrix	1.000	.635	.435			

For use with .093" Terminal Housings

For quantities greater than listed, call for quote.

MOUSER STOCK NO.	TE Part No.	Style	Wire Size (AWG)	Finish and Materials	Price Each			
					1	100	500	1000
571-7701451	770145-1	Pin	20-14	Tin over brass				
571-7701471	770147-1	Pin	24-18	Tin over brass				
571-7701441	770144-1	Socket	20-14	Tin over brass				
571-7701461	770146-1	Socket	24-18	Tin over brass				

Free-Hanging Receptacles, without Detent Lock

For quantities greater than listed, call for quote.

MOUSER STOCK NO.	TE Part No.	Fig.	No. of Circuits	Circuit Pattern	Dimensions: in.			Price Each		
					A	B	C	1	10	100
571-7700881	770088-1	A	6	Matrix	1.000	.635	.435			
571-7700941	770094-1	A	9	Matrix	1.000	.635	.670			
571-7701001	770100-1	A	12	Matrix	1.000	.635	.870			
571-7701051	770105-1	A	15	Matrix	1.000	.635	1.070			

Free-Hanging Receptacles, with Detent Lock

For quantities greater than listed, call for quote.

MOUSER STOCK NO.	TE Part No.	Fig.	No. of Circuits	Circuit Pattern	Dimensions: in.			Price Each		
					A	B	C	1	10	100
571-7700631	770063-1	A	1	In-line	1.000	.240	---			
571-7700651	770065-1	A	2	In-line	1.125	.240	.540			
571-7700701	770070-1	A	3	In-line	1.125	.240	.670			
571-7700751	770075-1	A	4	In-line	1.125	.240	.870			
571-7708431	770843-1	A	4	Matrix	1.000	.635	.443			
571-7700831	770083-1	A	5	In-line	1.000	.240	1.070			
571-7700861	770086-1	A	6	Matrix	1.000	.635	.435			
571-7700921	770092-1	A	9	Matrix	1.000	.635	.670			
571-7700981	770098-1	A	12	Matrix	1.000	.635	.870			

TOOLS

For use with .062" Pin and Socket Contacts

For quantities greater than listed, call for quote.

MOUSER STOCK NO.	TE Part No.	Fig.	Description	Price Each
571-908701	90870-1	C	Pro-Crimper III hand tool 30-24 AWG	
571-3188311	318831-1	D	Contact extraction tool	

For use with .093" Pin and Socket Contacts

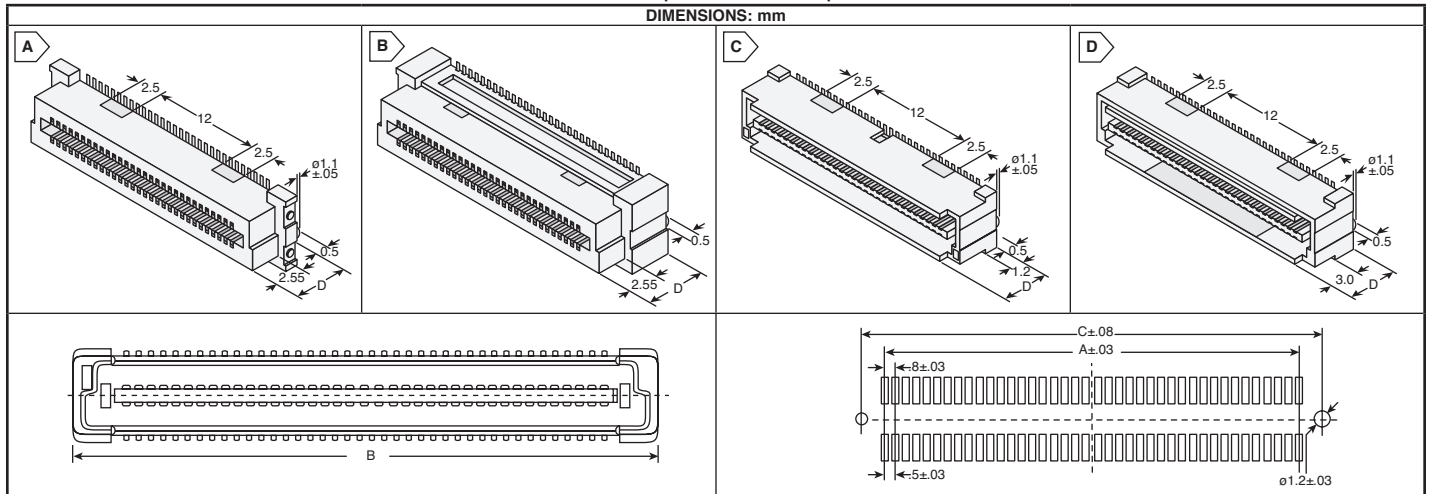
For quantities greater than listed, call for quote.

MOUSER STOCK NO.	TE Part No.	Fig.	Description	Price Each
571-3188371	318837-1	D	Contact extraction tool	

TE 0.80mm Free Height Connectors



This product is RoHS compliant.



0.80MM FREE HEIGHT CONNECTORS FOR PARALLEL BOARD STACKING

TE 0.8mm FH surface mount connectors are designed for parallel board stacking applications using subminiature connectors to meet today's electronic industry requirements for high density packaging. It is possible to save more than 50% of the required board space when compared to conventional 1.27 [050] centerline connectors.

Features:

- Board stacking heights from 5mm [197] to 16mm [630] (in 1mm [039] increments)
- Surface mount solder leads permit fast assembly operation
- UL File No. E28476

Specifications:

- Voltage Rating: 100 VAC
- Current Rating: 0.5 ampere
- Contact Resistance: 30 milliohms max.(initial)
- Dielectric Withstanding Voltage: 500 VAC (1 minute)
- Operating Temperature: -40°C to +85°C (including terminal temp rise)
- Housing: High temperature thermoplastic, natural color, UL94V-0

Applications:

- Notebook PCs
- Pen Pads
- Cellular Telephones



RoHS Compliant



Vertical Receptacles

Features:

- Contacts: Beryllium copper duplex plated 0.00020 [0.00008] min. gold contact area, 0.00100 [0.00039] min. tin on solder area, with entire contact underplated 0.00130 [0.00051] min. nickel

- Preloaded with unique bellows-type spring contacts for reliable electrical connection with plugs
- Mates with Plugs-Series 177984, 179029, 179030 and 179031

For quantities greater than listed, call for quote.

MOUSER STOCK NO.	TE Part No.	Fig.	No. of Positions	Dimensions: mm (in.)				Price Each			
				A	B	C	D	1	25	50	100
5mm Receptacles for 5, 6, 7 and 8mm Stacking Heights											
571-5177983-1	5177983-1	A	40	15.20 (.598)	21.80 (.858)	20.20 (.795)	3.75 (1.48)				
571-5177983-2	5177983-2	A	60	23.20 (.913)	29.80 (1.173)	28.20 (1.110)	3.75 (1.48)				
571-5177983-3	5177983-3	A	80	31.20 (1.228)	37.80 (1.488)	36.20 (1.425)	3.75 (1.48)				
571-5177983-4	5177983-4	A	100	39.20 (1.543)	45.80 (1.803)	44.20 (1.740)	3.75 (1.48)				
571-5177983-5	5177983-5	A	120	47.20 (1.858)	53.80 (2.118)	52.20 (2.055)	3.75 (1.48)				
571-5177983-6	5177983-6	A	140	55.20 (2.173)	61.80 (2.433)	60.20 (2.370)	3.75 (1.48)				
9mm Receptacles for 9, 10, 11 and 12mm Stacking Heights											
571-5-5179009-5	5-5179009-5	B	120	47.20 (1.858)	53.80 (2.118)	52.20 (2.055)	7.75 (.305)				
13mm Receptacles for 13, 14, 15 and 16mm Stacking Heights											
571-5-5179010-1	5-5179010-1	B	40	15.20 (.598)	21.80 (.858)	20.20 (.795)	11.75 (.463)				
571-5-5179010-2	5-5179010-2	B	60	23.20 (.913)	29.80 (1.173)	28.20 (1.110)	11.75 (.463)				
571-5-5179010-3	5-5179010-3	B	80	31.20 (1.228)	37.80 (1.488)	36.20 (1.425)	11.75 (.463)				
571-5-5179010-4	5-5179010-4	B	100	39.20 (1.543)	45.80 (1.803)	44.20 (1.740)	11.75 (.463)				
571-5-5179010-5	5-5179010-5	B	120	47.20 (1.858)	53.80 (2.118)	52.20 (2.055)	11.75 (.463)				
571-5-5179010-6	5-5179010-6	B	140	55.20 (2.173)	61.80 (2.433)	60.20 (2.370)	11.75 (.463)				

Vertical Plugs

Features:

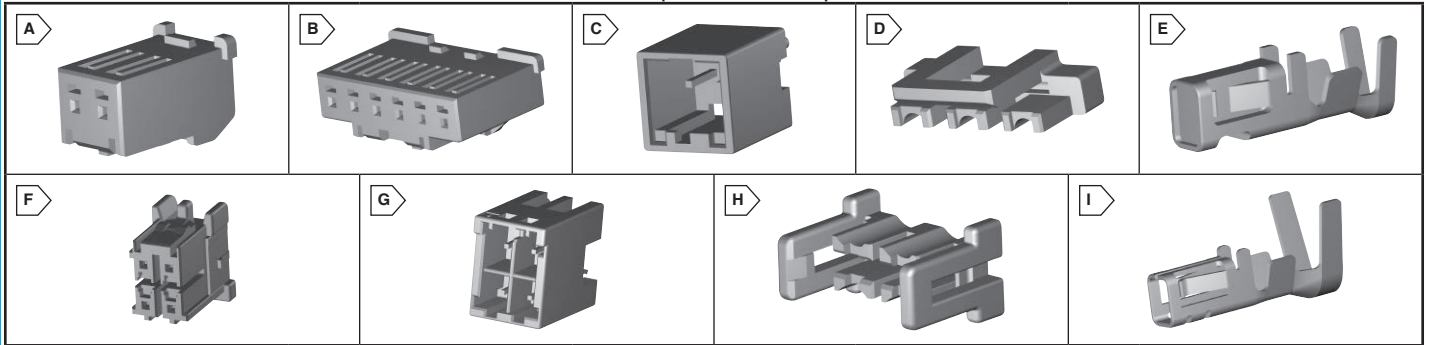
- Contacts: Brass, duplex plated 0.00020" min gold on contact area, 0.00100" min. tin on solder area, with entire contact underplated 0.00130" min. nickel
- Mates with Receptacles Series 177983, 179009 and 179010

5mm Plugs for 5,9 and 13mm Stacking Heights											
571-5177984-1	5177984-1	C	40	15.20 (.598)	21.80 (.858)	20.20 (.795)	4.60 (.181)				
571-5177984-3	5177984-3	C	80	31.20 (1.228)	37.80 (1.488)	36.20 (1.425)	4.60 (.181)				
571-5177984-5	5177984-5	C	120	47.20 (1.858)	53.80 (2.118)	52.20 (2.055)	4.60 (.181)				
571-5177984-6	5177984-6	C	140	55.20 (2.173)	61.80 (2.433)	60.20 (2.370)	4.60 (.181)				
6mm Plugs for 6,10 and 14mm Stacking Heights											
571-5179029-1	5179029-1	D	40	15.20 (.598)	21.80 (.858)	20.20 (.795)	5.60 (.220)				
571-5179029-2	5179029-2	D	60	23.20 (.913)	29.80 (1.173)	28.20 (1.110)	5.60 (.220)				
571-5179029-4	5179029-4	D	100	39.20 (1.543)	45.80 (1.803)	44.20 (1.740)	5.60 (.220)				
571-5179029-5	5179029-5	D	120	47.20 (1.858)	53.80 (2.118)	52.20 (2.055)	5.60 (.220)				
571-5179029-6	5179029-6	D	140	55.20 (2.173)	61.80 (2.433)	60.20 (2.370)	5.60 (.220)				
7mm Plugs for 7,11 and 15mm Stacking Heights											
571-5179030-5	5179030-5	D	120	47.20 (1.858)	53.80 (2.118)	52.20 (2.055)	6.60 (.260)				
8mm Plugs for 8,12 and 16mm Stacking Heights											
571-5179031-1	5179031-1	D	40	15.20 (.598)	21.80 (.858)	20.20 (.795)	7.60 (.300)				
571-5179031-2	5179031-2	D	60	23.20 (.913)	29.80 (1.173)	28.20 (1.110)	7.60 (.300)				
571-5179031-3	5179031-3	D	80	31.20 (1.228)	37.80 (1.488)	36.20 (1.425)	7.60 (.300)				
571-5179031-4	5179031-4	D	100	39.20 (1.543)	45.80 (1.803)	44.20 (1.740)	7.60 (.300)				
571-5179031-5	5179031-5	D	120	47.20 (1.858)	53.80 (2.118)	52.20 (2.055)	7.60 (.300)				
571-5179031-6	5179031-6	D	140	55.20 (2.173)	61.80 (2.433)	60.20 (2.370)	7.60 (.300)				

TE Header and Wire Housing Connectors



RoHS Compliant. This product is RoHS compliant.



GRACE INERTIA 2.5 SERIES

Specifications:

- Pitch: 2.5mm
- Voltage Rating: 50V AC/DC
- Current Rating: 3A Max
- Wire Gauge: 22-28AWG
- Not Insulated
- Contacts: Tin-plated Copper Alloy
- Compliance to Glow wire per IEC 60335-1

Plug Housing

For quantities greater than listed, call for quote.

MOUSER STOCK NO.	TE Part No.	Fig.	No. of Positions	Color	Wire Gauge	Price Each		
						1	25	100
Socket								
571-2-1971793-1	2-1971793-1	A	2	Natural	22-28			
571-2-1971793-2	2-1971793-2	A	2	Blue	22-28			
571-2-1971793-3	2-1971793-3	A	2	Red	22-28			
571-2-1971793-4	2-1971793-4	A	2	Yellow	22-28			
571-3-1971793-1	3-1971793-1	A	3	Natural	22-28			
571-3-1971793-2	3-1971793-2	A	3	Blue	22-28			
571-3-1971793-3	3-1971793-3	A	3	Red	22-28			
571-3-1971793-4	3-1971793-4	A	3	Yellow	22-28			
571-5-1971793-1	5-1971793-1	A	5	Natural	22-28			
571-5-1971793-2	5-1971793-2	A	5	Blue	22-28			
571-5-1971793-3	5-1971793-3	A	5	Red	22-28			
571-5-1971793-4	5-1971793-4	A	5	Yellow	22-28			
571-8-1971793-1	8-1971793-1	A	8	Natural	22-28			
571-8-1971793-2	8-1971793-2	A	8	Blue	22-28			
571-8-1971793-3	8-1971793-3	A	8	Red	22-28			
571-8-1971793-4	8-1971793-4	A	8	Yellow	22-28			
571-6-1971793-1	6-1971793-1	B	6	Natural	22-28			
571-6-1971793-2	6-1971793-2	B	6	Blue	22-28			
571-6-1971793-3	6-1971793-3	B	6	Red	22-28			
571-6-1971793-4	6-1971793-4	B	6	Yellow	22-28			

TPA Accessory

571-3-1971794-1	3-1971794-1	D	3	Black	-			
571-5-1971794-1	5-1971794-1	D	5	Black	-			
571-2-1971794-1	2-1971794-1	D	2	Black	-			
571-8-1971794-1	8-1971794-1	D	8	Black	-			

Receptacle Contact

571-1971795-1	1971795-1	E	-	Black	28-22			
---------------	-----------	---	---	-------	-------	--	--	--

Header Assembly - Vertical Mount

For quantities greater than listed, call for quote.

Pin	MOUSER STOCK NO.	TE Part No.	Fig.	No. of Positions	Color	Wire Gauge	Price Each		
							1	25	100
571-2-1971798-1	2-1971798-1	C	2	Natural	22-28				
571-2-1971798-2	2-1971798-2	C	2	Blue	22-28				
571-2-1971798-3	2-1971798-3	C	2	Red	22-28				
571-2-1971798-4	2-1971798-4	C	2	Yellow	22-28				
571-2-1971800-1	2-1971800-1	C	2	Natural	22-28				
571-2-1971800-2	2-1971800-2	C	2	Blue	22-28				
571-2-1971800-3	2-1971800-3	C	2	Red	22-28				
571-2-1971800-4	2-1971800-4	C	2	Yellow	22-28				
571-3-1971798-1	3-1971798-1	C	3	Natural	22-28				
571-3-1971798-2	3-1971798-2	C	3	Blue	22-28				
571-3-1971798-3	3-1971798-3	C	3	Red	22-28				
571-3-1971798-4	3-1971798-4	C	3	Yellow	22-28				
571-3-1971800-1	3-1971800-1	C	3	Natural	22-28				
571-3-1971800-2	3-1971800-2	C	3	Blue	22-28				
571-3-1971800-3	3-1971800-3	C	3	Red	22-28				
571-3-1971800-4	3-1971800-4	C	3	Yellow	22-28				
571-5-1971798-1	5-1971798-1	C	5	Natural	22-28				
571-5-1971798-2	5-1971798-2	C	5	Blue	22-28				
571-5-1971798-3	5-1971798-3	C	5	Red	22-28				
571-5-1971798-4	5-1971798-4	C	5	Yellow	22-28				
571-5-1971800-1	5-1971800-1	C	5	Natural	22-28				
571-5-1971800-2	5-1971800-2	C	5	Blue	22-28				
571-5-1971800-3	5-1971800-3	C	5	Red	22-28				
571-5-1971800-4	5-1971800-4	C	5	Yellow	22-28				
571-6-1971798-1	6-1971798-1	C	6	Natural	22-28				
571-6-1971798-2	6-1971798-2	C	6	Blue	22-28				
571-6-1971798-3	6-1971798-3	C	6	Red	22-28				
571-6-1971798-4	6-1971798-4	C	6	Yellow	22-28				
571-6-1971800-1	6-1971800-1	C	6	Natural	22-28				
571-6-1971800-2	6-1971800-2	C	6	Blue	22-28				
571-6-1971800-3	6-1971800-3	C	6	Red	22-28				
571-6-1971798-1	8-1971798-1	C	8	Natural	22-28				

Header Assembly - Vertical Mount (Cont.)

For quantities greater than listed, call for quote.

MOUSER STOCK NO.	TE Part No.	Fig.	No. of Positions	Color	Wire Gauge	Price Each		
						1	25	100
Pin (Cont.)								
571-8-1971798-2	8-1971798-2	C	8	Blue	22-28			
571-8-1971798-3	8-1971798-3	C	8	Red	22-28			
571-8-1971798-4	8-1971798-4	C	8	Yellow	22-28			
571-8-1971800-1	8-1971800-1	C	8	Natural	22-28			
571-8-1971800-2	8-1971800-2	C	8	Blue	22-28			
571-8-1971800-3	8-1971800-3	C	8	Red	22-28			
571-8-1971800-4	8-1971800-4	C	8	Yellow	22-28			

GRACE INERTIA 3.3 SERIES

Specifications:

- Pitch: 3.3mm
- Voltage rating: 250V AC/DC
- Current Rating: 4A Max
- Wire Gauge: 20-24AWG
- Insulated
- Wire Insulator Range: 1.5 - 2.5mm
- Contacts: Tin-plated Copper Alloy
- Compliance to Glow wire per IEC 60335-1

Plug Housing

For quantities greater than listed, call for quote.

MOUSER STOCK NO.	TE Part No.	Fig.	No. of Positions	Color	Wire Gauge	Price Each		
						1	25	100
Socket								
571-1-1971905-2	1-1971905-2	F	4	Natural	20-24			
571-1-1971905-3	1-1971905-3	F	3	Natural	20-24			
571-1-1971905-4	1-1971905-4	F	8	Natural	20-24			
571-1-1971905-5	1-1971905-5	F	10	Natural	20-24			
571-1-1971905-6	1-1971905-6	F	12	Natural	20-24			
571-2-1971905-2	2-1971905-2	F	4	Blue	20-24			
571-2-1971905-3	2-1971905-3	F	6	Blue	20-24			
571-2-1971905-4	2-1971905-4	F	8	Blue	20-24			
571-2-1971905-5	2-1971905-5	F	10	Blue	20-24			
571-2-1971905-6	2-1971905-6	F	12	Blue	20-24			
571-3-1971905-2	3-1971905-2	F	4	Yellow	20-24			
571-3-1971905-3	3-1971905-3	F	6	Red	20-24			
571-3-1971905-4	3-1971905-4	F	6	Red	20-24			
571-3-1971905-5	3-1971905-5	F	10	Red	20-24			
571-3-1971905-6	3-1971905-6	F	12	Red	20-24			
571-4-1971905-2	4-1971905-2	F	4	Red	20-24			
571-4-1971905-3	4-1971905-3	F	6	Yellow	20-24			
571-4-1971905-4	4-1971905-4	F	8	Yellow	20-24			
571-4-1971905-5	4-1971905-5	F	10	Yellow	20-24			
571-4-1971905-6	4-1971905-6	F	12	Yellow	20-24			

TPA Accessory

571-1971904-2	1971904-2	H	4	Black	-			
571-1971904-3	1971904-3	H	6	Black	-			
571-1971904-4	1971904-4	H	8	Black	-			
571-1971904-5	1971904-5	H	10	Black	-			
571-1971904-6	1971904-6	H	12	Black	-			

Receptacle Contact

571-1983780-1	1983780-1	I	1	-	20-24		1	5000	10,000
---------------	-----------	---	---	---	-------	--	---	------	--------

Header Assembly - Vertical Mount

For quantities greater than listed, call for quote.

Pin	MOUSER STOCK NO.	TE Part No.	Fig.	No. of Positions	Color	Wire Gauge	Price Each		
							1	25	100
571-1-1971906-2	1-1971906-2	G	4	Natural	20-24				
571-1-1971906-3	1-1971906-3	G	6	Natural	20-24				
571-1-1971906-4	1-1971906-4	G	8	Natural	20-24				
571-1-1971906-5	1-1971906-5	G	10	Natural	20-24				
571-1-1971906-6	1-1971906-6	G	12	Natural	20-24				
571-2-1971906-2	2-1971906-2	G	4	Blue	20-24				
571-2-1971906-3	2-1971906-3	G	6	Blue	20-24				
571-2-1971906-4	2-1971906-4	G	8	Blue	20-24				
571-2-1971906-5	2-1971906-5	G	10	Blue	20-24				
571-2-1971906-6	2-1971906-6	G	12	Blue	20-24				
571-3-1971906-2	3-1971906-2	G	4	Red	20-24				
571-3-1971906-3	3-1971906-3	G	6	Red	20-24				
571-3-1971906-4	3-1971906-4	G	8	Red	20-24				
571-3-1971906-5	3-1971906-5	G	10	Red	20-24				
571-3-1971906-6	3-1971906-6	G	12	Red	20-24				
571-4-1971906-2	4-1971906-2	G	4	Yellow	20-24				
571-4-1971906-3	4-1971906-3	G	6	Yellow	20-24				
571-4-1971906-4	4-1971906-4	G	8	Yellow	20-24				
571-4-1971906-5	4-1971906-5	G	10	Yellow	20-24				
571-4-1971906-6	4-1971906-6	G	12	Yellow	20-24				

3M Textool™ Test and Burn-In Sockets



RoHS Compliant This product is RoHS compliant.

TEXT TOOL SOCKETS AND RECEPTACLES

With decades of experience on the market, 3M Textool™ DIP Sockets provide a proven, reliable test/burn-in interface for DIP Packages with .100" lead spacing, and pin counts of 14 to 64. The sockets possess a lever actuated zero insertion force mechanism to maximize cycle life and reduce the potential for device lead damage.

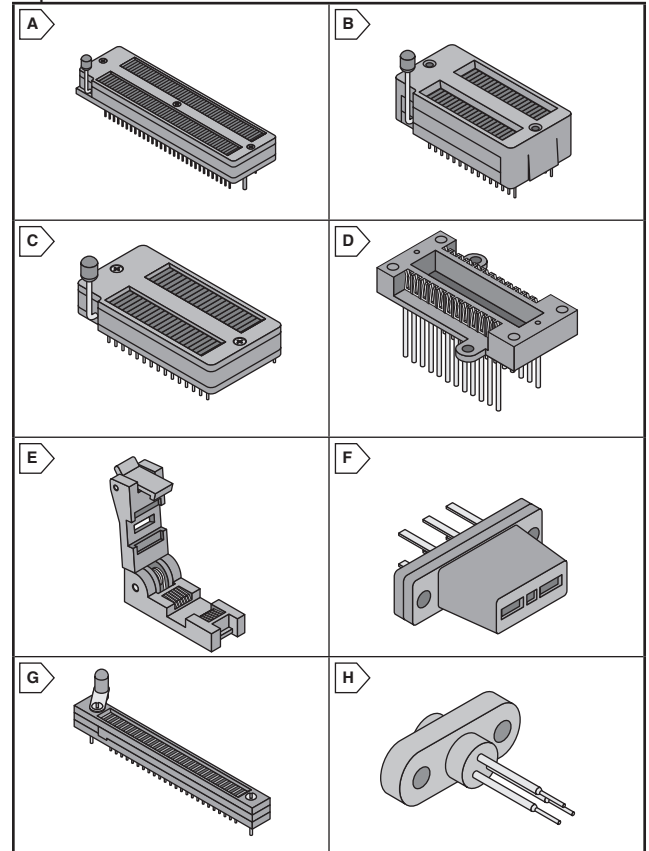
Specifications:

- Current: 1A
- Color: Green
- Flammability: UL 94V-0
- Operating Temperature: -55°C to +150°C
- Contact Material: Beryllium Copper
- Contact Plating: 30µ" Gold over 50µ" Nickel
- RoHS Compliant per 3M documentation

- * Contact Tail Length:
 XX = 09 Solder Tail .13 (3.3) with flanges
 = 19 Wire Wrap Tail .62 (15.8) with flanges
 = 29 Solder Tail .13 (3.3) without flanges
 = 39 Wire Wrap Tail .62 (15.8) without flanges

For quantities greater than listed, call for quote.

MOUSER STOCK NO.	3M Part No.	Fig.	No. of Contacts	3M Mating* Receptacle Part No.	Price Each		
					1	5	10
ZIP DIP II 2.54mm (.100") Sockets							
517-214-3339-00	214-3339-00-0602J	A	14	214-3339-XX-0602J			
517-216-3340-00	216-3340-00-0602J	A	16	216-3340-XX-0602J			
517-218-3341-00	218-3341-00-0602J	A	18	218-3341-XX-0602J			
517-220-3342-00	220-3342-00-0602J	A	20	220-3342-XX-0602J			
517-222-3343-00	222-3343-00-0602J	A	22	222-3343-XX-0602J			
517-224-1275-00	224-1275-00-0602J	A	24	224-1275-XX-0602J			
517-224-5248-00	224-5248-00-0602J	A	24	224-5248-XX-0602J			
517-228-1277-00	228-1277-00-0602J	A	28	228-1277-XX-0602J			
517-228-4817-00	228-4817-00-0602J	A	28	228-4817-XX-0602J			
517-232-1285-00	232-1285-00-0602J	A	32	232-1285-XX-0602J			
517-240-1280-00	240-1280-00-0602J	A	40	240-1280-XX-0602J			
517-240-3639-00	240-3639-00-0602J	A	40	240-3639-XX-0602J			
517-248-1282-00	248-1282-00-0602J	A	48	248-1282-XX-0602J			
517-264-4493-00	264-4493-00-0602J	A	64	264-4493-XX-0602J			
Shrink DIP .070" Sockets							
517-228-1290-00	228-1290-00-0602J	B	28	228-1290-XX-0602J			
517-264-1300-00	264-1300-00-0602J	B	64	264-1300-XX-0602J			
Universal DIP 2.54mm (.100") Sockets							
517-224-1286-00	224-1286-00-0602J	C	24	224-1275-XX-0602J			
517-228-1371-00	228-1371-00-0602J	C	28	228-1277-XX-0602J			
517-232-1287-00	232-1287-00-0602J	C	32	232-1285-XX-0602J			
517-240-1288-00	240-1288-00-0602J	C	40	240-1280-XX-0602J			
517-242-1289-00	242-1289-00-0602J	C	42	242-1281-XX-0602J			



ZIP DIP II Receptacles for DIP Sockets

With decades of experience on the market, 3M Textool™ DIP Receptacles provide a proven, reliable interface between DIP Sockets and a PCB. Receptacles are available for most Textool socket sizes.

- * Contact Tail Length:
 XX = 09 Solder Tail .13 (3.3) with flanges
 = 19 Wire Wrap Tail .62 (15.8) with flanges
 = 29 Solder Tail .13 (3.3) without flanges
 = 39 Wire Wrap Tail .62 (15.8) without flanges

For quantities greater than listed, call for quote.

MOUSER STOCK NO.	3M Part No.	Fig.	No. of Contacts	Price Each		
				1	5	10
517-214-3339-09	214-3339-09-0602J	D	14			
517-216-3340-09	216-3340-09-0602J	D	16			
517-218-3341-09	218-3341-09-0602J	D	18			
517-220-3342-09	220-3342-09-0602J	D	20			
517-220-3342-19	220-3342-19-0602J	D	20			
517-224-1275-39	224-1275-39-0602J	D	24			
517-228-1277-09	228-1277-09-0602J	D	28			
517-228-1277-19	228-1277-19-0602J	D	28			
517-228-1277-29	228-1277-29-0602J	D	28			
517-228-1277-39	228-1277-39-0602J	D	28			
517-228-1290-29	228-1290-29-0602J	D	28			
517-228-4817-09	228-4817-09-0602J	D	28			
517-240-1280-09	240-1280-09-0602J	D	40			
517-240-1280-19	240-1280-19-0602J	D	40			
517-240-1280-29	240-1280-29-0602J	D	40			
517-240-3639-09	240-3639-09-0602J	D	40			
517-264-1300-09	264-1300-09-0602J	D	64			

Test and Burn-In SOIC Sockets

For quantities greater than listed, call for quote.

MOUSER STOCK NO.	3M Part No.	Fig.	No. of Leads	Price Each		
				1	5	10
517-208-7391-55	208-7391-55-1902	E	8			
517-214-7390-55	214-7390-55-1902	E	14			
517-216-7224-55	216-7224-55-1902	E	16			
517-216-7383-55	216-7383-55-1902	E	16			
517-218-7223-55	218-7223-55-1902	E	18			
517-220-7201-55	220-7201-55-1902	E	20			
517-224-7397-55	224-7397-55-1902	E	24			
517-228-7396-55	228-7396-55-1902	E	28			

Power In-Line Socket

3M Textool™ Power In-Line Sockets provide a proven, reliable test/burn-in interface for 3 lead TO packages such as TO-3 and TO-66. The Power In-Line Socket must be mounted to board with screws and has 2 entry ports which accept devices with 0.75" to 0.20" between leads.

For quantities greater than listed, call for quote.

MOUSER STOCK NO.	3M Part No.	Fig.	No. of Contacts	Price Each		
				1	5	10
517-203-2737-55	203-2737-55-1102	F	3			

2.54mm (.100") In-Line DIP Strip Sockets

With decades of experience on the market, 3M Textool™ In-Line DIP Strip Sockets provide a proven, reliable test/burn-in interface for Single In-Line style packages in pin counts of 10 to 36.

For quantities greater than listed, call for quote.

MOUSER STOCK NO.	3M Part No.	Fig.	No. of Contacts	Price Each		
				1	5	10
517-210-2599-00	210-2599-00-0602	G	10			
517-220-2600-00	220-2600-00-0602	G	20			
517-224-5809-00	224-5809-00-0602	G	24			
517-232-2601-00	232-2601-00-0602	G	32			
517-236-6225-00	236-6225-00-0602	G	36			

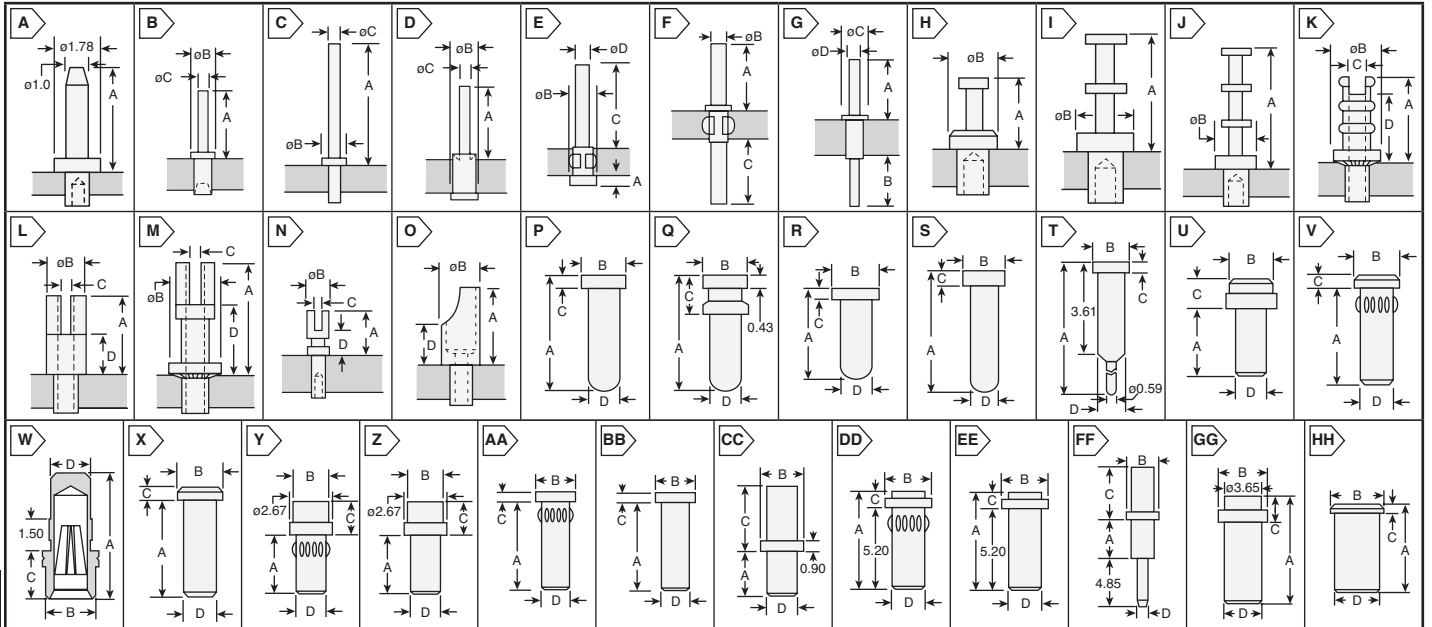
Laser Diode Socket

3M Textool™ Diode Sockets provide a proven, reliable test/burn-in interface for diode style JEDEC TO packages in pin counts of 3 and 4.

For quantities greater than listed, call for quote.

MOUSER STOCK NO.	3M Part No.	Fig.	No. of Contacts	Price Each		
				1	5	10
517-203-6585-00	203-6585-00-0602J	H	3			
517-203-6970-00	203-6970-00-0602J	H	3			
517-203-6970-50	203-6970-50-0602J	H	3			
517-204-6585-50	204-6585-50-0602J	H	4			
517-204-6970-00	204-6970-00-0602J	H	4			
517-204-6970-50	204-6970-50-0602J	H	4			

RoHS Compliant This product is RoHS compliant.



PCB TURNED TERMINALS

• Material: Brass with tin plating

** Solder Pot

For quantities greater than listed, call for quote.

MOUSER STOCK NO.	Harwin Part No.	Fig.	Dimensions: mm							Price Each		
			A	B	C	D	Thru Hole Ø	Panel Thickness	Mounting Hole Ø	1	10	25
Terminal Pins												
855-H2174-01	H2174-01	A	4.30	-	-	-	-	-	1.60	1.04/1.14		
855-H2175-01	H2175-01	A	5.00	-	-	-	-	-	1.60	1.04/1.14		
855-H2173-01	H2173-01	A	8.10	-	-	-	-	-	1.60	1.04/1.14		
855-H2176-01	H2176-01	A	9.50	-	-	-	-	-	1.60	1.04/1.14		
855-H2170-01	H2170-01	A	13.20	-	-	-	-	-	1.60	1.04/1.14		
855-H2101A01	H2101A01	B	6.50	2.40	0.96	-	-	-	1.60	1.79/1.87		
855-H2105A01	H2105A01	B	4.50	2.40	0.81	-	-	-	1.60	1.33/1.41		
855-H2106A01	H2106A01	B	4.50	2.40	0.81	-	-	-	2.40	1.33/1.41		
855-H3108-01	H3108-01	C	5.70	1.00	0.50	-	-	-	1.00	.50/.55		
855-H2101B01	H2101B01	D	6.75	2.40	0.96	-	-	-	1.60	1.79/1.87		
855-H2105B01	H2105B01	D	4.70	2.40	0.81	-	-	-	1.60	1.33/1.41		
855-H2157-01	H2157-01	E	1.4 max	2.00	9.80	1.21	-	-	1.60	1.30/1.40		
855-H3150-01	H3150-01	E	0.50	1.60	5.40	0.97	-	-	1.60	.99/1.04		
855-H3151-01	H3151-01	F	4.40	1.60	4.00	-	-	-	1.60	.99/1.04		
855-H2101-01	H2101-01	G	6.00	6.60	2.40	0.91	-	-	1.60	1.79/1.87		
855-H2105-01	H2105-01	G	4.50	3.45	2.40	0.81	-	-	1.60	1.33/1.41		
Lugs												
855-H9001-01	H9001-01	H	2.40	1.57	-	-	-	-	1.60	1.25/1.33		
855-H9004-01	H9004-01	H	4.75	3.18	-	-	-	-	1.60	2.01/2.09		
855-H2121-01	H2121-01	I	5.15	3.18	-	-	-	-	1.60	1.69/1.74		
855-H9020-01	H9020-01	J	7.65	3.18	-	-	-	-	1.60	2.35/2.45		
855-H2071Z01	H2071Z01	K	9.10	4.75	1.70	7.55	1.70	2.40	2.68/2.78			
855-H2072-01	H2072-01	K	6.35	3.95	1.40	5.15	1.40	1.60	2.17/2.27			
855-H2072Z01	H2072Z01	K	6.50	3.95	1.17	5.30	1.17	1.60	2.01/2.11			
855-H2072ZL1	H2072ZL1	K	6.50	3.95	1.17	5.30	1.17	2.40	2.01/2.11			
855-H2073Z01	H2073Z01	K	9.10	4.75	1.70	7.55	1.70	3.20	2.68/2.78			
855-H2074Z01	H2074Z01	K	8.75	6.35	2.77	7.15	2.77	3.20	3.93/4.03			
855-H2051-01	H2051-01	L	4.80	3.18	0.65	2.40	1.02	1.60	1.60/1.68			
855-H2055-01	H2055-01	L	6.35	3.18	1.20	3.18	1.70	2.40	2.4/2.48			
855-H2039-01	H2039-01	M	12.70	5.55	1.50	7.95	2.18	3.20	3.19/3.27			
855-H9023-01	H9023-01	N	3.95	1.83	0.70	2.25	-	1.60	1.28/1.38			
** 855-H9026-01	H9026-01	O	6.35	3.18	-	3.18	1.10	2.40	1.84/1.94			

PCB SOCKETS

For quantities greater than listed, call for quote.

MOUSER STOCK NO.	Harwin Part No.	Fig.	Dimensions: mm							Price Each		
			A	B	C	D	Max. Pin Length	Mating Pin Size Ø	Mounting Hole Ø	1	10	25
Sub Miniature Sockets for Ø0.5mm Pins												
855-H3153-01	H3153-01	P	3.61	1.45	0.43	0.99	3.15	0.46-0.51	1.00/1.10			
855-H3155-01	H3155-01	Q	3.61	1.45	0.30	0.99	3.15	0.46-0.51	1.00/1.10			
855-H3190-01	H3190-01	R	3.00	1.45	0.43	0.99	2.40	0.46-0.51	1.00/1.10			
855-H3191-01	H3191-01	S	4.90	1.45	0.43	0.99	4.70	0.46-0.51	1.00/1.10			
855-H3192-01	H3192-01	T	7.54	1.45	0.43	0.99	3.15	0.46-0.51	1.00/1.10			
PC Board Sockets for Ø0.8mm Pins												
855-H8505-01	H8505-01	U	3.70	2.67	2.35	1.90	4.35	0.75-0.85	1.91/2.01			
855-H8501-01	H8501-01	V	5.00	2.35	1.00	1.90	4.50	0.75-0.85	1.91/1.96			
855-H8502-01	H8502-01	W	5.90	2.35	2.25	1.85	4.85	0.60-0.85	1.91/1.96			
855-H8504-01	H8504-01	X	5.00	2.35	1.00	1.90	4.50	0.75-0.85	1.91/1.96			
PC Board Sockets for 1mm Pins												
855-H3165-01	H3165-01	Y	3.75	2.67	2.20	1.90	4.85	0.90-1.05	1.91/1.96			
855-H3182-01	H3182-01	Z	3.75	2.67	2.20	1.90	4.85	0.90-1.05	1.91/2.01			
855-H3161-01	H3161-01	AA	4.75	2.35	0.50	1.90	4.60	0.90-1.05	1.91/1.96			
855-H3183-01	H3183-01	BB	4.95	2.35	0.60	1.90	4.70	0.90-1.05	1.91/2.01			
855-H3163-01	H3163-01	CC	3.28	3.28	4.85	2.18	4.85	0.90-1.05	1.91/1.96			
855-H3169-01	H3169-01	DD	5.20	3.28	0.90	2.18	---	0.90-1.05	2.19/2.24			
855-H3185-01	H3185-01	EE	5.20	3.28	0.90	2.18	---	0.90-1.05	2.19/2.24			
855-H3194-01	H3194-01	FF	4.10	3.28	4.70	1.02	4.50	0.90-1.05	2.37/2.47			
PC Board Sockets for 2mm Pins												
855-H3490-01	H3490-01	GG	10.60	4.75	2.60	3.65	8.50	1.9-2.2	3.77/3.67			
855-H3492-01	H3492-01	HH	8.00	4.75	0.90	4.00	6.30	1.9-2.2	4.02/4.12			

KEYSTONE PTFE Insulated Terminals and Pins

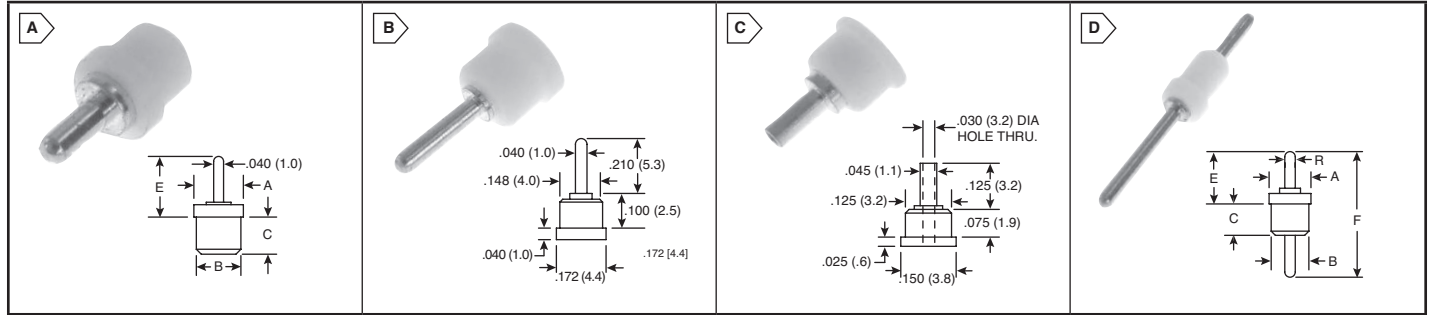


RoHS Compliant This product is RoHS compliant.

Features:

- Outstanding Electrical, Mechanical, Thermal and Chemical properties.
- Provides greater pull-out strength and high torque resistance
- Ideal for high quality terminal and connector applications
- Custom PTFE jacks manufactured to your specifications
- Other platings and bushing colors available upon request
- Space saving design for high density packaging

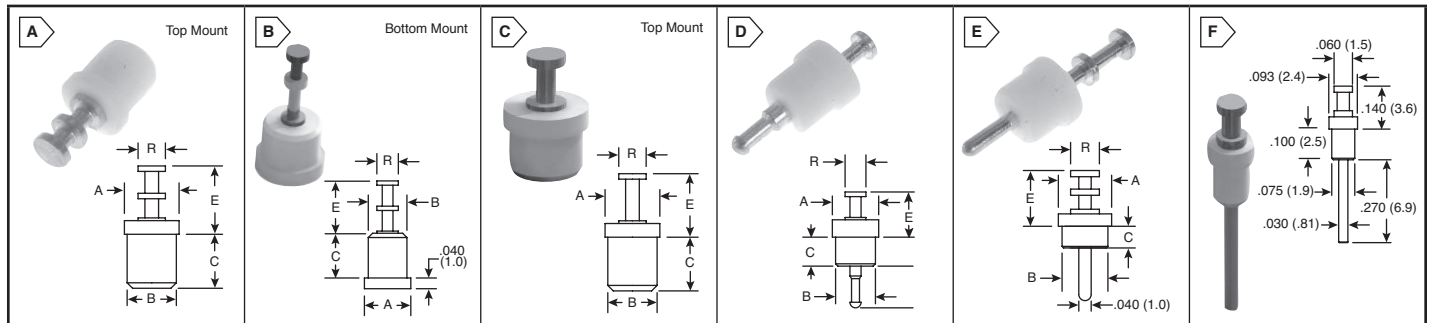
Bushing: White PTFE RoHS
Terminal: Brass, Tin Plate



PINS

For quantities greater than listed, call for quote.

MOUSER STOCK NO.	Keystone Part No.	Fig.	Dimensions: in. (mm)						Price Each				
			A	B	C	E	F	R	Mtg. Hole Dia.	1	100	500	1000
Top Mount													
534-11065	11065	A	.125 (3.2)	.104 (2.6)	.089 (2.3)	.161 (4.1)	--	--	.091 (2.3)				
534-11066	11066	A	.125 (3.2)	.093 (2.4)	.100 (2.5)	.925 (23.5)	--	--	.086 (2.2)				
534-11067	11067	A	.172 (4.4)	.148 (3.8)	.100 (2.5)	.150 (3.8)	--	--	.136 (3.5)				
534-11068	11068	A	.172 (4.4)	.148 (3.8)	.075 (1.9)	.185 (4.7)	--	--	.136 (3.5)				
534-11069	11069	A	.172 (4.4)	.148 (3.8)	.050 (1.3)	.260 (6.6)	--	--	.136 (3.5)				
534-11070	11070	A	.172 (4.4)	.148 (3.8)	.075 (1.9)	.260 (6.6)	--	--	.136 (3.5)				
534-11071	11071	A	.172 (4.4)	.148 (3.8)	.100 (2.5)	.250 (6.4)	--	--	.136 (3.5)				
534-11072	11072	A	.172 (4.4)	.148 (3.8)	.160 (4.1)	.250 (6.4)	--	--	.136 (3.5)				
534-11073	11073	A	.172 (4.4)	.148 (3.8)	.100 (2.5)	.490 (12.4)	--	--	.136 (3.5)				
534-11074	11074	A	.172 (4.4)	.148 (3.8)	.100 (2.5)	.585 (14.9)	--	--	.136 (3.5)				
Pin - Bottom Mount													
534-11075	11075	B	.148 (4.0)	.172 (4.4)	.100 (2.5)	.210 (5.3)	--	--	.136 (3.5)				
Hollow Pin - Bottom Mount													
534-11076	11076	C	.125 (3.2)	.150 (3.8)	.075 (1.9)	.125 (3.2)	--	--	.113 (2.9)				
Pin-To-Pin Feed-Thru													
534-11150	11150	D	.093 (2.4)	.075 (1.9)	.100 (2.5)	.315 (8.0)	.550 (13.9)	.030 (7.6)	.069 (1.8)				
534-11151	11151	D	.125 (3.2)	.093 (2.4)	.100 (2.5)	.196 (5.0)	.453 (11.5)	.040 (1.0)	.086 (2.2)				
534-11152	11152	D	.125 (3.2)	.093 (2.4)	.100 (2.5)	.250 (6.4)	.515 (13.1)	.040 (1.0)	.086 (2.2)				
534-11153	11153	D	.125 (3.2)	.093 (2.4)	.100 (2.5)	.250 (6.4)	.443 (11.3)	.040 (1.0)	.086 (2.2)				
534-11154	11154	D	.150 (3.8)	.125 (3.2)	.100 (2.5)	.250 (6.4)	.443 (11.3)	.040 (1.0)	.113 (2.9)				
534-11155	11155	D	.172 (4.4)	.148 (3.8)	.100 (2.5)	.250 (6.4)	.515 (13.1)	.040 (1.0)	.136 (3.5)				
534-11156	11156	D	.172 (4.4)	.148 (3.8)	.110 (2.8)	.260 (6.6)	.535 (13.6)	.040 (1.0)	.136 (3.5)				
534-11157	11157	D	.172 (4.4)	.148 (3.8)	.250 (6.4)	.303 (7.7)	.719 (18.3)	.040 (1.0)	.136 (3.5)				
534-11158	11158	D	.172 (4.4)	.148 (3.8)	.160 (4.1)	.250 (6.4)	.725 (18.4)	.040 (1.0)	.136 (3.5)				
534-11159	11159	D	.172 (4.4)	.148 (3.8)	.170 (4.3)	.250 (6.4)	.630 (16.0)	.040 (1.0)	.136 (3.5)				
534-11160	11160	D	.172 (4.4)	.148 (3.8)	.170 (4.3)	.250 (6.4)	.630 (16.0)	.040 (1.0)	.136 (3.5)				



SOLDER TERMINALS

*Hollow turret

For quantities greater than listed, call for quote.

MOUSER STOCK NO.	Keystone Part No.	Fig.	Dimensions: in. (mm)						Price Each			
			A	B	C	E	R	Mtg. Hole Dia.	1	100	500	1000
Turret												
534-11300	11300	A	.125 (3.2)	.039 (2.40)	.100 (2.5)	.210 (5.3)	.060 (1.5)	.086 (2.2)				
534-11301	11301	A	.125 (3.2)	.093 (2.4)	.080 (2.0)	.250 (6.4)	.080 (2.0)	.086 (2.2)				
534-11302	11302	A	.125 (3.2)	.093 (2.4)	.100 (2.5)	.250 (6.4)	.080 (2.0)	.086 (2.2)				
534-11303	11303	A	.172 (4.4)	.148 (3.8)	.140 (3.6)	.194 (4.9)	.093 (2.4)	.136 (3.5)				
534-11304	11304	A	.172 (4.4)	.148 (3.8)	.110 (2.8)	.250 (6.4)	.080 (2.0)	.136 (3.5)				
534-11305	11305	A	.172 (4.4)	.148 (3.8)	.125 (3.2)	.303 (7.7)	.080 (2.0)	.136 (3.5)				
534-11306	11306	A	.172 (4.4)	.148 (3.8)	.165 (4.2)	.290 (7.4)	.093 (2.4)	.136 (3.5)				
534-11307	11307	A	.172 (4.4)	.148 (3.8)	.250 (6.4)	.290 (7.4)	.093 (2.4)	.136 (3.5)				
534-11308	11308	A	.172 (4.4)	.148 (3.8)	.165 (4.2)	.437 (11.1)	.093 (2.4)	.136 (3.5)				
534-11310	11310	B	.125 (3.2)	.093 (2.4)	.100 (2.5)	.170 (4.3)	.060 (1.5)	.086 (2.2)				
534-11311	11311	B	.172 (4.4)	.148 (3.8)	.100 (2.5)	.210 (5.3)	.080 (2.0)	.136 (3.5)				
534-11312	11312	B	.187 (4.8)	.171 (4.3)	.155 (3.9)	.210 (5.3)	.080 (2.0)	.158 (4.0)				
534-11320	11320	C	.172 (4.4)	.148 (3.8)	.100 (2.5)	.150 (3.8)	.080 (2.0)	.136 (3.5)				
534-11321	11321	C	.187 (4.8)	.165 (4.2)	.150 (3.8)	.370 (9.4)	.090 (2.3)	.152 (3.9)				
* 534-11322	11322	C	.150 (3.8)	.125 (3.2)	.110 (2.8)	.180 (4.6)	.090 (2.3)	.113 (2.9)				
Turret-To-Turret Feed-thru												
534-11250	11250	D	.312 (7.9)	.171 (4.3)	.171 (4.3)	.196 (5.0)	.093 (2.4)	.158 (4.0)				
534-11251	11251	D	.200 (5.1)	.172 (4.4)	.125 (3.2)	.195 (5.0)	.090 (2.3)	.158 (4.0)				
Turret-To-Pin Feed-thru												
534-11216	11216	E	.172 (4.4)	.148 (3.8)	.100 (2.5)	.250 (6.4)	.080 (2.0)	.136 (3.5)				
534-11217	11217	E	.172 (4.4)	.148 (3.8)	.230 (5.8)	.375 (9.5)	.093 (2.4)	.066 (1.7)				
534-11218	11218	F	.093 (2.4)	.075 (1.9)	.100 (2.5)	.140 (3.6)	.060 (1.5)	.066 (1.7)				

KEYSTONE PTFE Insulated Terminals, Pins & Test Points



RoHS Compliant **This product is RoHS compliant.**

Features:

- Outstanding Electrical, Mechanical, Thermal and Chemical properties.
- Provides greater pull-out strength and high torque resistance
- Ideal for high quality terminal and connector applications
- Custom PTFE jacks manufactured to your specifications
- Other platings and bushing colors available upon request
- Space saving design for high density packaging

SPLIT-TYPE FORK TURRETS

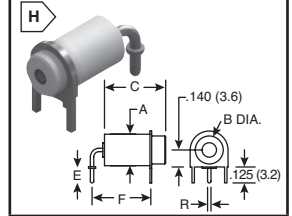
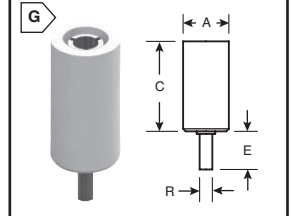
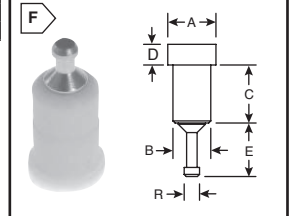
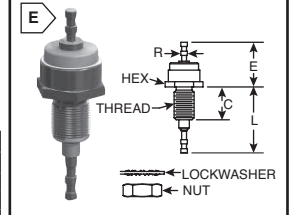
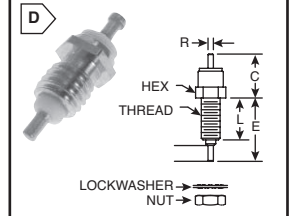
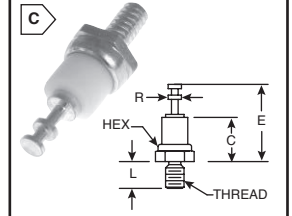
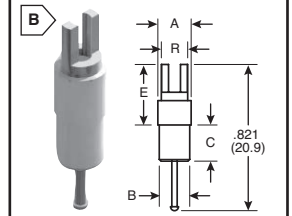
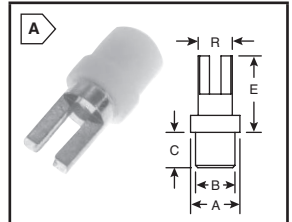
Bushing: White PTFE RoHS
Terminal: Brass, Tin Plate



RoHS Compliant

For quantities greater than listed, call for quote.

MOUSER STOCK NO.	Keystone Part No.	Fig.	Dimensions: in. (mm)					Mtg. Hole Dia.	Price Each			
			A	B	C	E	R		1	100	500	1000
534-11100	11100	A	.172 (4.4)	.148 (3.8)	.125 (3.2)	.250 (6.4)	.125 (3.2)	.136 (3.5)				
534-11111	11111	A	.187 (4.8)	.171 (4.3)	.150 (3.8)	.390 (9.9)	.148 (3.8)	.158 (4.0)				
534-11112	11112	A	.187 (4.8)	.171 (4.3)	.150 (3.8)	.453 (11.5)	.148 (3.8)	.158 (4.0)				
534-11113	11113	A	.187 (4.8)	.171 (4.3)	.150 (3.8)	.328 (8.3)	.148 (3.8)	.158 (4.0)				
534-11114	11114	A	.187 (4.8)	.171 (4.3)	.150 (3.8)	.390 (9.9)	.148 (3.8)	.158 (4.0)				
534-11115	11115	A	.187 (4.8)	.171 (4.3)	.150 (3.8)	.453 (11.5)	.148 (3.8)	.158 (4.0)				
534-11116	11116	B	.187 (4.8)	.171 (4.3)	.212 (5.4)	.390 (9.9)	.148 (3.8)	.158 (4.0)				



THREADED TURRET TERMINALS

Bushing: White PTFE RoHS
Terminal: Brass, Tin Plate



RoHS Compliant

For quantities greater than listed, call for quote.

MOUSER STOCK NO.	Keystone Part No.	Fig.	Thread	Dimensions: in. (mm)					Price Each			
				Hex	C	E	L	R	1	100	500	1000
534-11350	11350	C	2-56	.156 (3.9)	.206 (5.2)	.360 (9.1)	.125 (3.2)	.062 (1.6)				
534-11351	11351	C	4-40	.270 (6.9)	.270 (6.9)	.510 (12.9)	.250 (6.4)	.094 (2.4)				
534-11352	11352	C	6-32	.250 (6.4)	.270 (6.9)	.510 (12.9)	.375 (9.5)	.094 (2.4)				

THREADED FEED-THRU TERMINALS

Bushing: White PTFE • Nut and washer supplied unassembled
Terminal: Brass, Tin Plate
Body: Brass, Nickel Plate



RoHS Compliant

For quantities greater than listed, call for quote.

MOUSER STOCK NO.	Keystone Part No.	Fig.	Thread	Dimensions: in. (mm)					Price Each			
				Hex	C	E	L	R	1	100	500	1000
534-11360	11360	D	4-40	.156 (4.0)	.235 (6.0)	.355 (9.0)	.200 (5.1)	.032 (0.8)				
534-11361	11361	D	4-40	.156 (4.0)	.235 (6.0)	.405 (10.3)	.250 (6.4)	.032 (0.8)				
534-11362	11362	D	12-28	.250 (6.4)	.287 (7.3)	.287 (7.3)	.403 (10.2)	.082 (2.1)				
534-11363	11363	E	10-32	.312 (7.9)	.250 (6.4)	.425 (10.8)	.565 (14.3)	.062 (1.6)				
534-11364	11364	E	6-32	.188 (4.8)	.250 (6.4)	.368 (9.3)	.510 (12.9)	.040 (1.0)				

TEST POINT JACKS

Bushing: White PTFE (RoHS Compliant), Red or Black (Non-RoHS Compliant)
Terminal Jack: Beryllium Copper (QQ-C-533)
Plating: Gold per Mil-G-45204, Type II



RoHS Compliant

For quantities greater than listed, call for quote.

MOUSER STOCK NO.	Keystone Part No.	Fig.	RoHS White	NON-RoHS		Dimensions: in. (mm)										Price Each			
				Red	Black	A	B	C	D	E	R	Probe Dia. ±.001 (.03)	Probe Length	1	100	500	1000		
534-11001	11001	F	yes	--	--	.142 (3.6)	.120 (3.0)	.244 (6.2)	.046 (1.2)	.120 (3.0)	.060 (1.5)	.040 (1.0)	.205 (5.2)						
534-11002	11002	F	yes	--	--	.142 (3.6)	.120 (3.0)	.283 (7.2)	.046 (1.2)	.120 (3.0)	.060 (1.5)	.040 (1.0)	.245 (6.2)						
534-11003	11003	F	yes	--	--	.172 (4.4)	.140 (3.6)	.142 (3.6)	.050 (1.3)	.060 (1.5)	.080 (2.0)	.040 (1.0)	.125 (3.2)						
534-11004	11004	F	yes	--	--	.172 (4.4)	.148 (3.8)	.179 (4.5)	.046 (1.2)	.120 (3.0)	.060 (1.5)	.040 (1.0)	.140 (3.6)						
534-11005	11005	F	yes	--	--	.218 (5.5)	.185 (4.7)	.301 (7.6)	.050 (1.3)	.105 (2.7)	.125 (3.2)	.080 (2.0)	.315 (8.0)						
534-11006	11006	F	yes	--	--	.218 (5.5)	.185 (4.7)	.271 (6.9)	.046 (1.2)	.120 (3.0)	.074 (1.9)	.080 (2.0)	.195 (4.9)						
534-11007	11007	F	yes	--	--	.218 (5.5)	.185 (4.7)	.271 (6.9)	.046 (1.2)	.120 (3.0)	.074 (1.9)	.090 (2.3)	.195 (4.9)						
534-11008	11008	F	yes	--	--	.218 (5.5)	.185 (4.7)	.301 (7.6)	.046 (1.2)	.120 (3.0)	.074 (1.9)	.080 (2.0)	.225 (5.7)						
534-11009	11009	F	yes	--	--	.218 (5.5)	.185 (4.7)	.400 (10.2)	.050 (1.3)	.187 (4.8)	.074 (1.9)	.080 (2.0)	.280 (7.1)						
534-11010	11010	F	yes	--	--	.218 (5.5)	.185 (4.7)	.271 (6.9)	.046 (1.2)	.136 (3.5)	.074 (1.9)	.080 (2.0)	.340 (8.6)						
534-11011	11011	G	yes	--	--	.218 (5.5)	--	.430 (10.9)	--	.150 (3.8)	.050 (1.3)	.080 (2.0)	.200 (5.1)						
534-11011-B	11011-B	G	yes	--	yes	--	--	.430 (10.9)	--	.150 (3.8)	.050 (1.3)	.080 (2.0)	.200 (5.1)						
534-11012	11012	G	yes	--	--	.218 (5.5)	--	.500 (12.7)	--	.150 (3.8)	.050 (1.3)	.080 (2.0)	.280 (7.1)						
534-11012-B	11012-B	G	yes	--	yes	--	--	.500 (12.7)	--	.150 (3.8)	.050 (1.3)	.080 (2.0)	.280 (7.1)						
534-11012-R	11012-R	G	yes	--	yes	--	--	.500 (12.7)	--	.150 (3.8)	.050 (1.3)	.080 (2.0)	.280 (7.1)						
534-11013	11013	H	yes	--	--	.218 (5.5)	.187 (4.8)	.689 (17.5)	.500 (12.7)	.125 (3.2)	.050 (1.3)	.080 (2.0)	.500 (12.7)						
534-11014	11014	H	yes	--	--	.218 (5.5)	.187 (4.8)	.378 (9.6)	.400 (10.2)	.125 (3.2)	.050 (1.3)	.080 (2.0)	.250 (6.4)						
534-11015	11015	H	yes	--	--	.218 (5.5)	.187 (4.8)	.378 (9.6)	.400 (10.2)	.187 (4.7)	.035 (8.9)	.080 (2.0)	.250 (6.4)						
534-11016	11016	H	yes	--	--	.218 (5.5)	.187 (4.8)	.378 (9.6)	.500 (12.7)	.125 (3.2)	.050 (1.3)	.080 (2.0)	.250 (6.4)						

KEYSTONE PC QUICK-FIT TERMINALS

- Specifications:**
- Material type: Brass
 - Material finish: Tin or bright

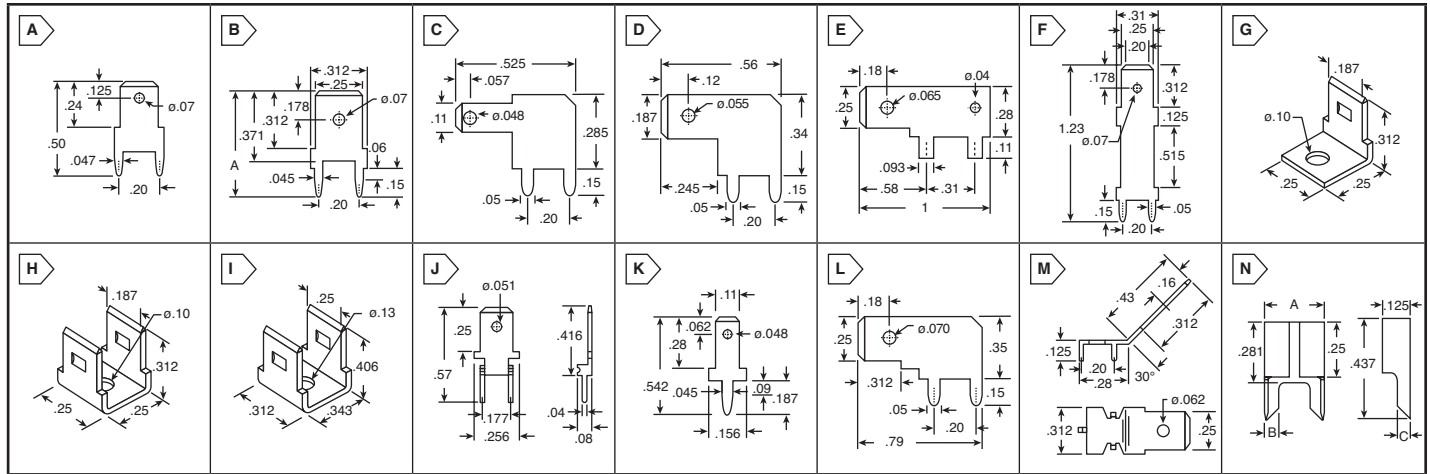


* Now UL Recognized



RoHS Compliant

DIMENSIONS: in.



For quantities greater than listed, call for quote.

MOUSER STOCK NO.	Fig.	Tab Size (In.)	Description	Finish	Price Each		
					1	100	500
534-1212	A	.187	PCB straight terminal, .032" thick	Tin			
534-1285	A	.187	PCB straight terminal, .020" thick	Tin			
534-1213	A	.205	PCB straight terminal, .032" thick	Tin			
534-1286	A	.205	PCB straight terminal, .020" thick	Tin			
534-1289	B	.250	PCB straight terminal, Dim. A = .780	Tin			
534-1287	B	.250	PCB straight terminal, Dim. A = .552	Tin			
534-1287-ST	B	.250	PCB straight terminal, Dim. A = .552	Tin			
534-1289-ST	B	.250	PCB straight terminal, Dim. A = .710	Tin			
534-4903	C	.110	PCB right angle terminal, .020" thick	Tin			
534-4906	C	.110	PCB right angle terminal, .032" thick	Tin			
534-4904	D	.187	PCB right angle terminal, .020" thick	Tin			
534-4907	D	.187	PCB right angle terminal, .032" thick	Tin			
534-1265	E	.250	PCB right angle terminal	Tin			
534-1281	F	.250	PCB tall terminal	Tin			
534-1261	G	.187	Single tab rivet type terminal	Bright			
534-1262	H	.187	Dual tab rivet type terminal	Bright			

For quantities greater than listed, call for quote.

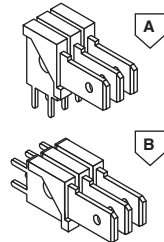
MOUSER STOCK NO.	Fig.	Tab Size (In.)	Description	Finish	Price Each		
					1	100	500
534-1257	I	.250	Dual tab rivet type terminal	Bright			
534-2003	I	.110	Dual tab rivet type terminal	Bright			
534-4900	J	.187	Male sturdi-mount terminal	Tin			
534-4901	J	.250	Male sturdi-mount terminal	Tin			
534-4902	J	.250	Male sturdi-mount terminal	Tin			
534-1267	K	.110	Male single point terminal	Tin			
534-1211	K	.110	Male single point terminal	Tin			
534-4966	L	.250	PCB right angle terminal, .590" wide	Tin			
534-1266	L	.250	PCB right angle terminal, .789" wide	Tin			
534-4908	M	.250	PCB right angle terminal	Tin			

Female

For quantities greater than listed, call for quote.

* 534-3525	N	.205	Dim.A: .271; Dim.B: .075; Dim.C: .060	Tin			
* 534-3528	N	.250	Dim.A: .291; Dim.B: .090; Dim.C: .050	Tin			

KEYSTONE PC QUICK-FIT MALE STURDI-MOUNT HEADERS



Steel

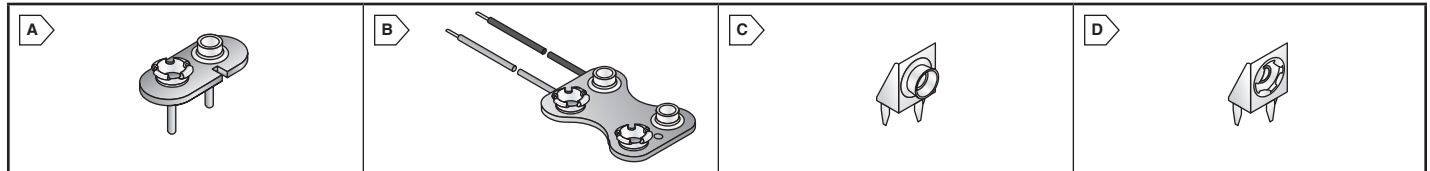
For quantities greater than listed, call for quote.

Horizontal Headers		Vertical Headers		No. of Tabs	Price Each			
MOUSER STOCK NO.	Fig.	MOUSER STOCK NO.	Fig.		1	100	500	1000
534-7822	A	534-7832	B	2				
534-7824	A	534-7834	B	4				
534-7825	A	534-7835	B	5				
534-7826	A	534-7836	B	6				

Brass

For quantities greater than listed, call for quote.

Horizontal Headers		Vertical Headers		No. of Tabs	Price Each			
MOUSER STOCK NO.	Fig.	MOUSER STOCK NO.	Fig.		1	100	500	1000
534-7802	A	534-7812	B	2				
534-7803	A	534-7813	B	3				
534-7804	A	534-7814	B	4				
534-7806	A	534-7816	B	6				



KEYSTONE "9 VOLT" PC CONNECTOR

- One piece construction
- Wave solderable
- Anti-wicking design



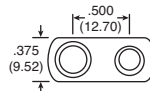
RoHS Compliant

For quantities greater than listed, call for quote.

MOUSER STOCK NO.	Fig.	Description	Price Each			
			1	10	100	500
534-968	A	9V PC connector, with PC pins				
534-68	A	9V PC connector, w/o PC pins				
534-227	B	Parallel 9V dual battery snap				
534-635	C	9V PCB snap-ons, male, off board				
534-593	C	9V PCB snap-ons, male, on board				
534-636	D	9V PCB snap-ons, female, off board				
534-594	D	9V PCB snap-ons, female, on board				

KEYSTONE "9 VOLT" PROTECTIVE BATTERY CAP

- Protects 9 volt batteries and battery packs when not in use
- Shields the battery contacts and reduces the potential of a short circuit between poles
- Protects the battery contacts from damage due to dust, dirt, and contamination
- Impact resistant polypropylene, black



RoHS Compliant

DIMENSIONS: in. (mm)

For quantities greater than listed, call for quote.

MOUSER STOCK NO.	Description	Price Each			
		1	100	500	1000
534-96	Protective battery cap				

KEYSTONE Terminals



This product is RoHS compliant.

KEYSTONE PC MOUNT SCREW TYPE TERMINAL POST

- Current rating: 15A
 - Terminal material: thick brass matte tin finish
 - Screw type: 6-32 x 1/4LG nickel-plated steel
 - † Screw type: M3x6.35L nickel-plated steel
- For quantities greater than listed, call for quote.

Horizontal

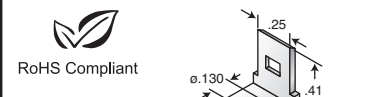
MOUSER STOCK NO.	Fig.	Description	Price Each			
			1	100	500	1000
534-7690	A	Snap mount terminal, loose				
534-7692	A	Snap mount terminal, assembled				
† 534-7689	A	Snap mount terminal, loose				
† 534-7695	A	Snap mount terminal, assembled				
534-8190	B	Horizontal PC mount				
534-7700	B	PC mount terminal assembled				

Vertical

MOUSER STOCK NO.	Fig.	Description	Price Each			
			1	100	500	1000
534-7691	C	Snap mount terminal, loose				
534-7693	C	Snap mount terminal, assembled				
† 534-7698	C	Snap mount terminal, loose				
† 534-7696	C	Snap mount terminal, assembled				
534-8191	D	Vertical PC mount				
534-7701	D	PC mount terminal, assembled				

KEYSTONE PC BOARD DISCONNECT TAB

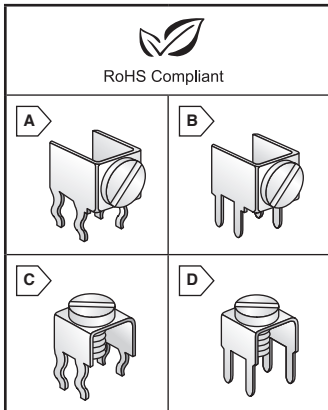
PC BOARD DISCONNECT TAB



RoHS Compliant
DIMENSIONS: in.

- Features:
- Bright brass plate
 - Mating tab portion designed to NEMA standards
 - Terminal dimension: .250" x .03"
- For quantities greater than listed, call for quote.

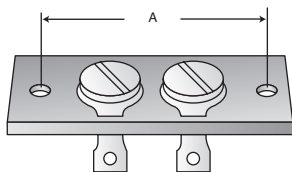
MOUSER STOCK NO.	Angle	Price Each			
		1	100	1000	5000
534-1256	90°				
534-1280	45°				



KEYSTONE BINDING POST STRIPS

- Material: PBE (Paper Base Electrical) MIL-1-24768/20 Type XP natural, Temp. 250°F max.

DIMENSIONS: in.



For quantities greater than listed, call for quote.

MOUSER STOCK NO.	No. of Terminals	Dim. A (In.)	Price Each		
			1	10	100
534-4188	2	1.31			
534-4189	3	1.75			
534-4190	4	2.19			
534-4191	5	2.63			

For quantities greater than listed, call for quote.

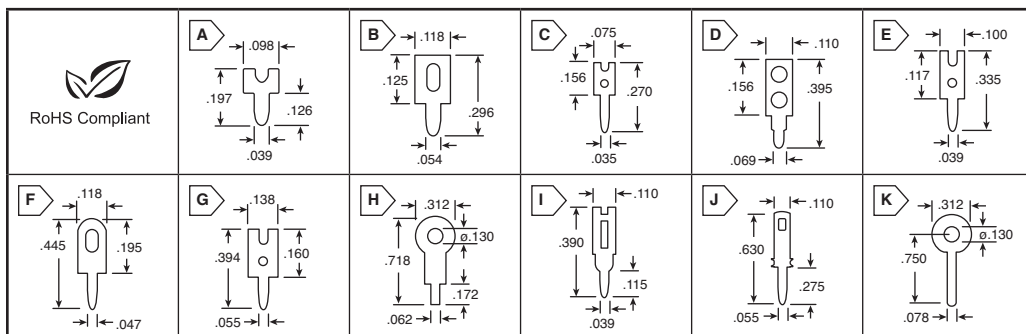
MOUSER STOCK NO.	No. of Terminals	Dim. A (In.)	Price Each		
			1	10	100
534-4192	6	3.06			
534-4194	8	3.94			
534-4196	10	4.81			
534-4195	9	4.375			

KEYSTONE TEST POINT TERMINALS

- Economical choice for reliable test terminations
- Material: thick brass matte tin plated

For quantities greater than listed, call for quote.

MOUSER STOCK NO.	Fig.	Price Each			
		1	100	500	1000
534-4950	A				
534-1033	B				
534-1031	C				
534-1038	D				
534-1035	E				
534-1249	F				
534-1039	G				
534-680	H				
534-1040	I				
534-1041	J				
534-4002	K				

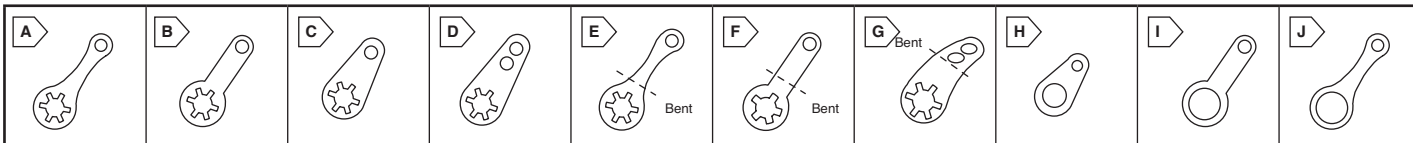


DIMENSIONS: in.

KEYSTONE TERMINAL SOLDER AND LOCKWASHER LUGS

- Matte tin thick brass for easy soldering
- Easy way of providing ground
- Built-in locking washer

RoHS Compliant



For quantities greater than listed, call for quote.

MOUSER STOCK NO.	Fig.	Dimensions: in.			Screw Sz (B)	Price Each		
		Length	A	Thick		1	100	1000
534-903	A	7/8	3/32	.018	4			
534-904	A	7/8	3/32	.018	6			
534-905	A	7/8	3/32	.018	8			
534-909	B	47/64	3/32	.018	4			
534-916	B	47/64	3/32	.018	6			
534-917	B	47/64	3/32	.018	8			
534-908	C	5/8	3/32	.018	4			
534-914	C	5/8	3/32	.018	6			
534-915	C	5/8	3/32	.018	8			
534-910	D	23/32	3/32	.018	4			
534-918	D	23/32	3/32	.018	6			
534-906	D	23/32	3/32	.018	8			
534-7317	E	13/16	3/32	.018	4			
534-7318	E	13/16	3/32	.018	6			
534-7319	E	13/16	3/32	.018	8			



* Non-locking

For quantities greater than listed, call for quote.

MOUSER STOCK NO.	Fig.	Dimensions: in.			Screw Sz (B)	Price Each		
		Length	A	Thick		1	100	1000
534-7314	F	23/32	3/32	.018	4			
534-7315	F	23/32	3/32	.018	6			
534-7316	F	23/32	3/32	.018	8			
534-7311	G	41/64	3/32	.018	4			
534-7312	G	41/64	3/32	.018	6			
534-7313	G	41/64	3/32	.018	8			
* 534-7328	H	17/32	.076	.015	4			
* 534-7329	H	17/32	.076	.015	6			
* 534-7330	H	17/32	.076	.015	8			
534-7325	I	11/16	5/64	.020	4			
534-7326	I	11/16	5/64	.020	6			
534-7327	I	11/16	5/64	.020	8			
534-7333	J	7/8	3/32	.020	8			
534-4004	H	.515	.093	.016	-			

RING TONGUE TERMINALS

• Material: Copper

Krimptite®, Non Insulated

For quantities greater than listed, call for quote.

MOUSER STOCK NO.	Molex Part No.	Fig.	Wire Size (AWG)	Stud Size	Price Each			
					1	100	500	1000
538-19069-0042	19069-0042	A	18-22	1/4				
538-19069-0049	19069-0049	A	18-22	3/8				
538-19069-0107	19069-0107	A	14-16	1/4				
538-19069-0109	19069-0109	A	14-16	5/16				

Insulkrimp®, PVC Insulated

For quantities greater than listed, call for quote.

MOUSER STOCK NO.	Molex Part No.	Fig.	Wire Size (AWG)	Stud Size	Price Each			
					1	100	500	1000
538-19070-0040	19070-0040	B	18-22	5-6				
538-19070-0013	19070-0013	B	18-22	8				
538-19070-0015	19070-0015	B	18-22	10				
538-19070-0023	19070-0023	B	18-22	1/4				
538-19070-0067	19070-0067	B	14-16	3-4				
538-19070-0069	19070-0069	B	14-16	5-6				
538-19070-0086	19070-0086	B	14-16	8				
538-19070-0090	19070-0090	B	14-16	10				
538-19070-0075	19070-0075	B	14-16	1/4				
538-19070-0059	19070-0059	B	14-16	3/8				
538-19070-0143	19070-0143	B	10-12	5-6				
538-19070-0123	19070-0123	B	10-12	10				
538-19070-0132	19070-0132	B	10-12	1/4				
538-19070-0155	19070-0155	B	10-12	5/16				
538-19070-0153	19070-0153	B	10-12	3/8				

Avikrimp®, Nylon Insulated

For quantities greater than listed, call for quote.

MOUSER STOCK NO.	Molex Part No.	Fig.	Wire Size (AWG)	Stud Size	Price Each			
					1	100	500	1000
538-19073-0005	19073-0005	B	18-22	1-2				
538-19073-0007	19073-0007	B	18-22	3-4				
538-19073-0038	19073-0038	B	18-22	5-6				
538-19073-0013	19073-0013	B	18-22	8				
538-19073-0017	19073-0017	B	18-22	10				
538-19073-0024	19073-0024	B	18-22	1/4				
538-19073-0027	19073-0027	B	18-22	5/16				
538-19073-0032	19073-0032	B	18-22	3/8				
538-19073-0067	19073-0067	B	14-16	5-6				
538-19073-0083	19073-0083	B	14-16	5-6				
538-19073-0085	19073-0085	B	14-16	8				
538-19073-0087	19073-0087	B	14-16	10				
538-19073-0076	19073-0076	B	14-16	1/4				
538-19073-0079	19073-0079	B	14-16	5/16				
538-19073-0059	19073-0059	B	14-16	3/8				
538-19073-0170	19073-0170	B	10-12	10				
538-19073-0236	19073-0236	B	10-12	3/8				
538-19073-0145	19073-0145	B	10-12	1/2				

SNAP SPADE TERMINALS

• Material: Copper

Insulkrimp®, PVC Insulated

For quantities greater than listed, call for quote.

MOUSER STOCK NO.	Molex Part No.	Fig.	Wire Size (AWG)	Stud Size	Price Each			
					1	100	500	1000
538-19099-0009	19099-0009	C	18-22	5-6				
538-19099-0013	19099-0013	C	18-22	8				
538-19099-0015	19099-0015	C	18-22	10				
538-19099-0034	19099-0034	C	14-16	10				
538-19099-0044	19099-0044	C	10-12	5-6				
538-19099-0048	19099-0048	C	10-12	8				

SPADE TONGUE TERMINALS

• Material: Copper

Insulkrimp®, PVC Insulated

For quantities greater than listed, call for quote.

MOUSER STOCK NO.	Molex Part No.	Fig.	Wire Size (AWG)	Stud Size	Price Each			
					1	100	500	1000
538-19144-0001	19144-0001	D	18-22	5-6				
538-19144-0003	19144-0003	D	18-22	8				
538-19144-0005	19144-0005	D	18-22	10				
538-19144-0018	19144-0018	D	14-16	5-6				
538-19144-0020	19144-0020	D	14-16	8				
538-19144-0026	19144-0026	D	14-16	10				
538-19144-0037	19144-0037	D	10-12	5-6				
538-19144-0039	19144-0039	D	10-12	8				

Avikrimp®, Nylon Insulated

For quantities greater than listed, call for quote.

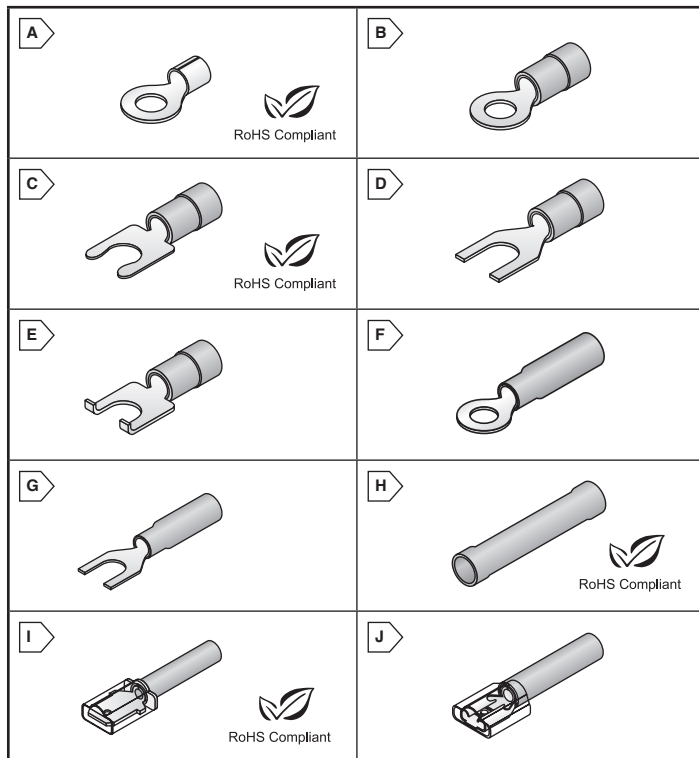
MOUSER STOCK NO.	Molex Part No.	Fig.	Wire Size (AWG)	Stud Size	Price Each			
					1	100	500	1000
538-19198-0070	19198-0070	D	18-22	5-6				
538-19198-0004	19198-0004	D	18-22	8				
538-19198-0006	19198-0006	D	18-22	10				
538-19198-0016	19198-0016	D	14-16	5-6				
538-19198-0025	19198-0025	D	14-16	10				
538-19198-0044	19198-0044	D	10-12	5-6				
538-19198-0047	19198-0047	D	10-12	8				

FLANGED SPADE TERMINALS

Insulkrimp®, PVC Insulated

For quantities greater than listed, call for quote.

MOUSER STOCK NO.	Molex Part No.	Fig.	Wire Size (AWG)	Stud Size	Price Each			
					1	100	500	1000
538-19121-0005	19121-0005	E	22-18	5-6				
538-19121-0007	19121-0007	E	22-18	8				
538-19121-0009	19121-0009	E	22-18	10				
538-19121-0028	19121-0028	E	16-14	8				
538-19121-0030	19121-0030	E	14-16	10				
538-19121-0053	19121-0053	E	10-12	8				
538-19121-0056	19121-0056	E	10-12	10				



FLANGED SPADE TERMINALS (CONT.)

Avikrimp®, Nylon Insulated

For quantities greater than listed, call for quote.

MOUSER STOCK NO.	Molex Part No.	Fig.	Wire Size (AWG)	Stud Size	Price Each			
					1	100	500	1000
538-19127-0007	19127-0007	E	22-18	5-6				
538-19127-0012	19127-0012	E	22-18	10				
538-19127-0042	19127-0042	E	16-14	8				
538-19127-0086	19127-0086	E	10-12	8				
538-19127-0089	19127-0089	E	10-12	10				

PERMA-SEAL TERMINALS

• All-weather, heat-sealable terminals and splices

Ring Tongue Terminals

For quantities greater than listed, call for quote.

MOUSER STOCK NO.	Molex Part No.	Fig.	Wire Size (AWG)	Stud Size	Price Each			
					1	100	500	1000
538-19164-0085	19164-0085	F	18-22	6				
538-19164-0086	19164-0086	F	18-22	8				
538-19164-0003	19164-0003	F	18-22	10				
538-19164-0004	19164-0004	F	18-22	1/4				
538-19164-0005	19164-0005	F	18-22	3/8				
538-19164-0032	19164-0032	F	14-16	6				
538-19164-0033	19164-0033	F	14-16	8				
538-19164-0034	19164-0034	F	14-16	10				
538-19164-0026	19164-0026	F	14-16	1/4				
538-19164-0027	19164-0027	F	14-16	5/16				
538-19164-0061	19164-0061	F	10-12	6				
538-19164-0062	19164-0062	F	10-12	8				
538-19164-0065	19164-0065	F	10-12	10				
538-19164-0066	19164-0066	F	10-12	1/4				
538-19164-0067	19164-0067	F	10-12	5/16				

Spade Tongue Terminals

For quantities greater than listed, call for quote.

MOUSER STOCK NO.	Molex Part No.	Fig.	Wire Size (AWG)	Stud Size	Price Each
538-19164-0006	19164-0006	G	18-22	6	
538-19164-0007	19164-0007	G	18-22	8	
538-19164-0070	19164-0070	G	10-12	8	

Butt Splices

For quantities greater than listed, call for quote.

MOUSER STOCK NO.	Molex Part No.	Fig.	Wire Size (AWG)	Accepts Tab Size (in.)	Price Each
538-19164-0013	19164-0013	H	18-22	---	
538-19164-0044	19164-0044	H	14-16	---	
538-19164-0056	19164-0056	H	10-12	---	

Quick Disconnect Couplers

For quantities greater than listed, call for quote.

MOUSER STOCK NO.	Molex Part No.	Fig.	Wire Size (AWG)	Accepts Tab Size (in.)	Price Each			
					1	100	500	1000
Male								
538-19164-0015	19164-0015	I	18-22	.250 x .032				
538-19164-0048	19164-0048	I	14-16	.250 x .032				
538-19164-0075	19164-0075	I	10-12	.250 x .032				
Female								
538-19164-0017	19164-0017	J	18-22	.250 x .032				
538-19164-0050	19164-0050	J	14-16	.250 x .032				
538-19164-0076	19164-0076	J	10-12	.250 x .032				

QUIXCON™ QUICK-DISCONNECTS



For quantities greater than listed, call for quote.

MOUSER STOCK NO.	Molex Part No.	Fig.	Wire Size (AWG)	Accepts Tab Size (in.)	Color	Price Each			
						1	100	500	1000
Krimptite™ Style Un-insulated									
538-19273-0007	19273-0007	A	22-18	.250x.032	-				
538-19273-0008	19273-0008	A	16-14	.250x.032	-				
InsulKrimp™ Style									
538-19274-0002	19274-0002	B	22-18	.250x.032	Red				
538-19276-0002	19276-0002	C	22-18	.250x.032	Red				
538-19274-0005	19274-0005	B	16-14	.250x.032	Blue				
538-19276-0005	19276-0005	C	16-14	.250x.032	Blue				
538-19276-0008	19276-0008	C	12-10	.250x.032	Yellow				
AvilKrimp™ Style									
538-19277-0002	19277-0002	D	22-18	.250x.032	Red				
538-19275-0002	19275-0002	E	22-18	.250x.032	Red				
538-19277-0005	19277-0005	D	16-14	.250x.032	Blue				
538-19275-0005	19275-0005	E	16-14	.250x.032	Blue				
538-19277-0008	19277-0008	D	12-10	.250x.032	Yellow				

FULLY INSULATED QUICK DISCONNECTS

Fully Insulated InsulKrimp Female Quick Disconnects (Standard Flare)

Features:

- Designed for dense packaging requirements
- Terminal's funnel entrance is designed for increased crimping rates by speeding wire delivery into the crimp
- A wire stop stamped into the crimp barrel prevents insertion of over-stripped wires
- Color coded translucent insulator allows easy identification of terminal size and wire gauge



RoHS Compliant

For quantities greater than listed, call for quote.

MOUSER STOCK NO.	Molex Part No.	Fig.	Wire Size (AWG)	Accepts Tab Size (in.)	Color	Price Each			
						1	100	500	1000
538-19003-0071	19003-0071	F	24-26	.250x.032	Yellow				
538-19003-0064	19003-0064	F	24-26	.187x.020	Yellow				
538-19003-0001	19003-0001	F	18-22	.250x.032	Red				
538-19003-0129	19003-0129	F	18-22	.187x.020	Red				
538-19003-0011	19003-0011	F	18-22	.187x.020	Red				
538-19003-0040	19003-0040	F	14-16	.250x.032	Blue				
538-19003-0044	19003-0044	F	14-16	.250x.032	Blue				
538-19003-0050	19003-0050	F	14-16	.187x.020	Blue				

Fully Insulated Avikrimp Quick Disconnects (Standard Flare)

Avikrimp version gives you the extra advantage of the secure metal support sleeve. These parts fulfill the double crimp (support) requirements of VDE and other DIN specifications. They are the premier line when full insulation and strain relief are required.

* Expanded Flare/Oval Barrel

For quantities greater than listed, call for quote.

MOUSER STOCK NO.	Molex Part No.	Fig.	Wire Size (AWG)	Accepts Tab Size (in.)	Color	Price Each			
						1	100	500	1000
Male									
538-19001-0001	19001-0001	G	18-22	.250x.032	Red				
538-19001-0003	19001-0003	G	18-22	.187x.020	Red				
538-19001-0006	19001-0006	G	14-16	.250x.032	Blue				
538-19001-0008	19001-0008	G	14-16	.187x.020	Blue				
538-19001-0010	19001-0010	G	10-12	.250x.032	Yellow				
Female									
538-19002-0001	19002-0001	H	18-22	.250x.032	Red				
538-19002-0005	19002-0005	H	18-22	.187x.020	Red				
538-19002-0009	19002-0009	H	18-22	.187x.032	Red				
538-19002-0013	19002-0013	H	18-22	.110x.020	Red				
538-19002-0024	19002-0024	H	14-16	.25x.032	Blue				
538-19002-0028	19002-0028	H	14-16	.18x.020	Blue				
538-19002-0031	19002-0031	H	14-16	.187x.032	Blue				
538-19002-0037	19002-0037	H	14-16	.110x.032	Blue				
* 538-19002-0044	19002-0044	I	10-12	.250x.032	Yellow				

FULLY INSULATED COUPLERS

These fully insulated couplers are precision engineered, allowing the female terminal to fit precisely into the corresponding male housing, allowing a fully insulated in-line splice. This splice may be connected and disconnected without damage to the nylon insulation.



RoHS Compliant

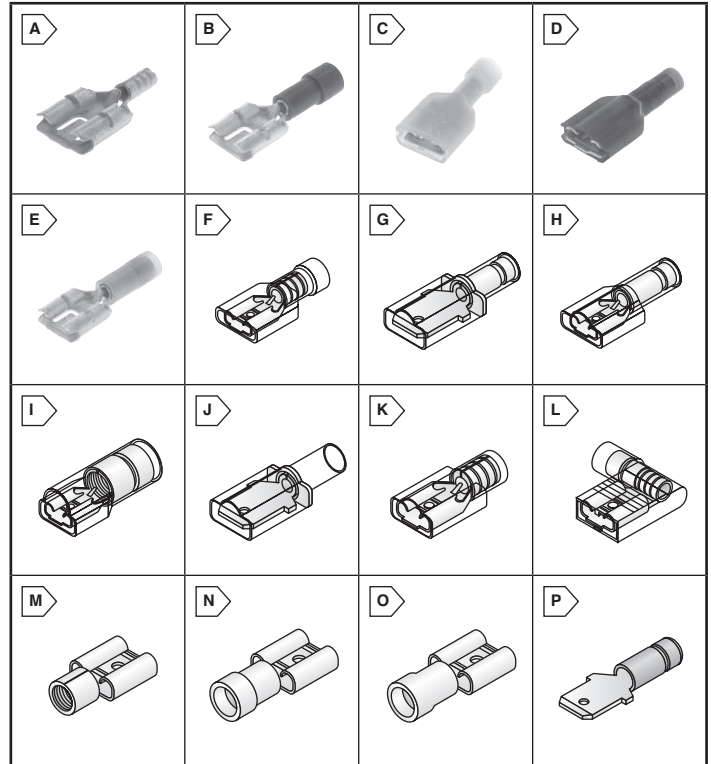
*Male **Female

For quantities greater than listed, call for quote.

MOUSER STOCK NO.	Molex Part No.	Fig.	Wire Size (AWG)	Accepts Tab Size (in.)	Color	Price Each			
						1	100	500	1000
* 538-19004-0001	19004-0001	J	18-22	.250x.032	Red				
* 538-19004-0009	19004-0009	J	10-12	.250x.032	Yellow				
** 538-19005-0001	19005-0001	K	18-22	.250x.032	Red				
** 538-19005-0010	19005-0010	K	10-12	.250x.032	Yellow				

© Copyright 2014 Mouser Electronics

© Copyright 2014 Mouser Electronics



FULLY INSULATED QUICK DISCONNECT FLAGS

- Space saving design



RoHS Compliant

Avikrimp® Fully Pre-Insulated

For quantities greater than listed, call for quote.

MOUSER STOCK NO.	Molex Part No.	Fig.	Wire Size (AWG)	Accepts Tab Size (in.)	Color	Price Each			
						1	100	500	1000
538-19006-0001	19006-0001	L	18-22	.250x.032	Red				
538-19006-0011	19006-0011	L	14-16	.250x.032	Blue				
538-19006-0019	19006-0019	L	10-12	.250x.032	Yellow				
538-19006-0005	19006-0005	L	18-22	.187x.020	Red				

Fully Insulated (Standard Flare)

For quantities greater than listed, call for quote.

MOUSER STOCK NO.	Molex Part No.	Fig.	Wire Size (AWG)	Accepts Tab Size (in.)	Color	Price Each			
						1	100	500	1000
538-19007-0001	19007-0001	L	18-22	.250x.032	Red				
538-19007-0009	19007-0009	L	18-22	.187x.020	Red				
538-19007-0021	19007-0021	L	14-16	.250x.032	Blue				
538-19-007-0040	19007-0040	L	10-12	.250x.032	Yellow				
538-19007-0029	19007-0029	L	14-16	.187x.020	Blue				

QUICK DISCONNECTS

- Full tin-plated brass construction with closed electrical barrels.



RoHS Compliant

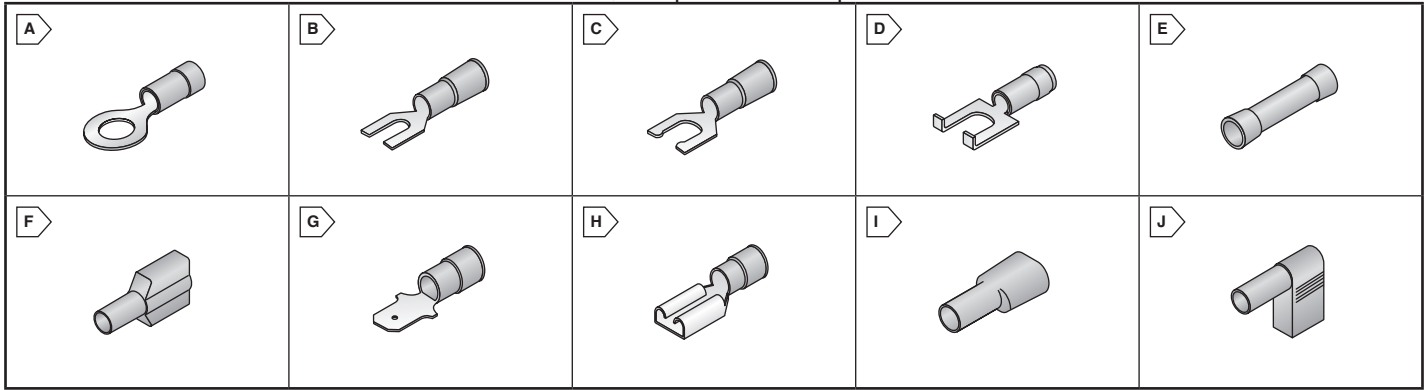
MOUSER STOCK NO.	Molex Part No.	Fig.	Wire Size (AWG)	Accepts Tab Size (in.)	Price Each				
					1	100	500	1000	
Krimptite® Butted Seam Non-Insulated - Female									
538-19016-0009	19016-0009	M	18-22	.250 x .032					
538-19016-0006	19016-0006	M	18-22	.187 x .032					
InsulKrimp® PVC Insulated - Female									
538-19017-0037	19017-0037	N	14-16	.250 x .032					
Avikrimp® Nylon Insulated With Vibration Support - Female									
538-19019-0012	19019-0012	O	18-22	.250 x .032					
538-19019-0031	19019-0031	O	14-16	.250 x .032					
538-19019-0022	19019-0022	O	14-16	.110 x .020					
538-19019-0037	19019-0037	O	10-12	.250 x .032					
538-19019-0006	19019-0006	O	18-22	.187 x .020					
538-19019-0027	19019-0027	O	14-16	.187 x .020					
538-19019-0004	19019-0004	O	18-22	.110 x .032					
538-19019-0001	19019-0001	O	18-22	.110 x .020					
Krimptite® Economical Non-Insulated - Male									
538-19022-0004	19022-0004	P	18-22	.250 x .032					
538-19022-0006	19022-0006	P	18-22	.187 x .020					

© Copyright 2014 Mouser Electronics

PANDUIT Terminals



RoHS Compliant This product is RoHS compliant.



SOLDERLESS TERMINALS

- Price each is per terminal
- All terminals feature brazed seam construction

Stock No. Suffix Denotes Standard Package Quantity:
L = 50, C = 100, D = 500, M = 1000



RoHS Compliant



RoHS Compliant

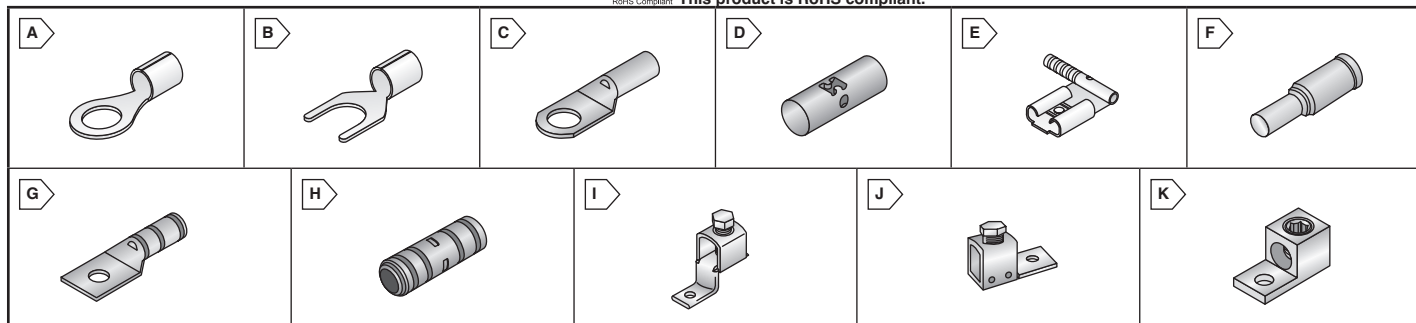
For quantities greater than listed, call for quote.

MOUSER STOCK NO.	Fig.	Wire Size	Stud Size	Color	Price Each			
					1	100	500	1000
Vinyl Ring - Funnel Entry - Insulated								
644-PV18-6R-MY	A	22-18	6	Red				
644-PV18-8R-MY	A	22-18	8	Red				
644-PV18-4RX-MY	A	22-18	4	Red				
644-PV18-6RX-MY	A	22-18	6	Red				
644-PV18-8RX-MY	A	22-18	8	Red				
644-PV18-10RX-MY	A	22-18	10	Red				
644-PV14-6R-M	A	16-14	6	Blue				
644-PV14-8R-M	A	16-14	8	Blue				
644-PV14-10R-M	A	16-14	10	Blue				
644-PV14-14R-M	A	16-14	1/4	Blue				
644-PV14-4RX-C	A	16-14	4	Blue				
644-PV14-6RX-M	A	16-14	6	Blue				
644-PV14-8RX-M	A	16-14	8	Blue				
644-PV14-10RX-M	A	16-14	10	Blue				
644-PV14-14RX-M	A	16-14	1/4	Blue				
644-PV10-8R-D	A	12-10	8	Yellow				
644-PV10-10R-D	A	12-10	10	Yellow				
644-PV10-14R-D	A	12-10	1/4	Yellow				
644-PV10-6RX-L	A	12-10	6	Yellow				
644-PV10-8RX-L	A	12-10	8	Yellow				
644-PV10-10RX-L	A	12-10	10	Yellow				
644-PV10-14RX-L	A	12-10	1/4	Yellow				
Nylon Ring - Insulated								
644-PN18-14R-M	A	22-18	1/4	Red				
644-PN18-4R-M	A	22-18	4	Red				
644-PN18-10R-M	A	22-18	10	Red				
644-PN18-4RN-M	A	22-18	4	Red				
644-PN18-6RN-M	A	22-18	6	Red				
644-PN18-8R-M	A	22-18	8	Red				
644-PN14-4R-M	A	16-14	4	Blue				
644-PN14-56R-M	A	16-14	5/16	Blue				
644-PN14-6R-M	A	16-14	6	Blue				
644-PN14-8R-M	A	16-14	8	Blue				
644-PN14-6RX-C	A	16-14	6	Blue				
644-PN14-8RX-C	A	16-14	8	Blue				
644-PN14-10RX-C	A	16-14	10	Blue				
644-PN10-6R-D	A	12-10	6	Yellow				
644-PN10-8R-L	A	12-10	8	Yellow				
644-PN10-14R-L	A	12-10	1/4	Yellow				
644-PN10-6RX-L	A	12-10	6	Yellow				
644-PN10-8RX-L	A	12-10	8	Yellow				
644-PN10-10RX-L	A	12-10	10	Yellow				
644-PN10-56R-D	A	12-10	5/16	Yellow				
644-PN10-38R-D	A	12-10	3/8	Yellow				
Vinyl Fork - Insulated								
644-PV18-6F-MY	B	22-18	6	Red				
644-PV18-8F-MY	B	22-18	8	Red				
644-PV18-6FX-MY	B	22-18	6	Red				
644-PV18-6FN-MY	B	22-18	6	Red				
644-PV18-8FX-MY	B	22-18	8	Red				
644-PV18-10F-MY	B	22-18	10	Red				
644-PV14-8F-M	B	16-14	8	Blue				
644-PV14-10F-M	B	16-14	10	Blue				
644-PV14-6FX-M	B	16-14	6	Blue				
644-PV14-6FN-M	B	16-14	6	Blue				
644-PV14-8FX-M	B	16-14	8	Blue				

For quantities greater than listed, call for quote.

MOUSER STOCK NO.	Fig.	Wire Size	Stud Size	Color	Price Each			
					1	100	500	1000
Vinyl Fork (Cont.)								
644-PV14-10FX-M	B	16-14	10	Blue				
644-PV14-14F-M	B	16-14	1/4	Blue				
644-PV10-6F-D	B	12-10	6	Yellow				
644-PV10-10F-D	B	12-10	10	Yellow				
644-PV10-14F-D	B	12-10	1/4	Yellow				
644-PV10-14FX-L	B	12-10	1/4	Yellow				
Nylon Fork Insulated								
644-PNF18-6F-M	B	22-18	6	Red				
644-PNF18-8F-M	B	22-18	8	Red				
644-PNF18-10F-M	B	22-18	10	Red				
644-PNF18-14F-C	B	22-18	1/4	Red				
644-PNF14-6F-M	B	16-14	6	Blue				
644-PNF14-8F-M	B	16-14	8	Blue				
644-PNF14-10F-M	B	16-14	10	Blue				
644-PNF10-6F-L	B	12-10	6	Yellow				
644-PNF10-10F-L	B	12-10	10	Yellow				
Vinyl Locking Fork								
644-PV18-6LF-MY	C	22-18	6	Red				
Nylon Locking Fork								
644-PN18-8LF-M	C	22-18	8	Red				
644-PN14-6LF-M	C	16-14	6	Blue				
644-PN14-8LF-M	C	16-14	8	Blue				
644-PN14-10LF-M	C	16-14	10	Blue				
Vinyl Flanged Fork								
644-PN18-6LF-M	D	22-18	6	Red				
644-PN18-8FF-M	D	22-18	8	Red				
644-PN18-10FF-M	D	22-18	10	Red				
644-PN14-6FF-M	D	16-14	6	Blue				
Vinyl Flanged Fork								
644-PN14-8FF-M	D	16-14	8	Blue				
Vinyl Butt Splice								
644-BSV18X-MY	E	22-18	---	Red				
644-BSV14X-M	E	16-14	---	Blue				
644-BSV10X-D	E	12-10	---	Yellow				
Nylon Butt Splice								
644-BSN14-M	E	16-14	---	Blue				
Disconnect (Male)								
644-DNF18-250FIM-M	F	22-18	.250x.032	Red				
644-DNF18-250FIM-L	F	22-18	.250x.032	Red				
644-DNF14-250M-M	G	16-14	.250x.032	Blue				
644-DV14-250MB-M	G	16-14	.250x.032	Blue				
644-DNF10-250M-D	G	12-10	.250x.032	Yellow				
Disconnect (Female)								
644-DNF18-110-M	H	22-18	.110x.032	Red				
644-DNF18-187-M	H	22-18	.187x.032	Red				
644-DNF18-250-M	H	22-18	.250x.032	Red				
644-DNF18-250FIB-M	I	22-18	.250x.032	Red				
644-DNF14-110-M	H	16-14	.110x.032	Blue				
644-DNF14-187-M	H	16-14	.187x.032	Blue				
644-DNF14-250-M	H	16-14	.250x.032	Blue				
644-DV14-250B-M	H	16-14	.250x.032	Blue				
644-DNF14-250FIB-M	I	16-14	.250x.032	Blue				
644-DNF10-250FI-D	I	12-10	.250x.032	Yellow				
Right Angle Disconnect (Female) Tab Width								
644-DNRF14-250B-M	J	16-14	.250x.032	Blue				

RoHS Compliant This product is RoHS compliant.



NON-INSULATED TERMINALS

Rings

For quantities greater than listed, call for quote.

MOUSER STOCK NO.	Fig.	Wire Size	Stud Size	Price Each			
				1	100	500	1000
644-P18-4R-M	A	22-18	4				
644-P18-8R-M	A	22-18	8				
644-P18-10R-M	A	22-18	10				
644-P14-4R-M	A	16-14	4				
644-P14-6R-M	A	16-14	6				
644-P14-8R-M	A	16-14	8				
644-P10-6R-L	A	12-10	6				
644-P10-8R-L	A	12-10	8				
644-P10-14R-L	A	12-10	1/4				
644-P10-56R-L	A	12-10	5/16				

Forks

For quantities greater than listed, call for quote.

MOUSER STOCK NO.	Fig.	Wire Size	Stud Size	Price Each			
				1	100	500	1000
644-P18-6F-M	B	22-18	6				
644-P18-6FN-M	B	22-18	6				
644-P18-8F-M	B	22-18	8				
644-P18-10F-M	B	22-18	10				
644-P18-14F-M	B	22-18	14				
644-P14-6F-M	B	16-14	6				
644-P14-6FN-M	B	16-14	6				
644-P14-8F-M	B	16-14	8				
644-P14-10F-M	B	16-14	10				
644-P14-14F-M	B	16-14	1/4				
644-P10-6F-L	B	12-10	6				
644-P10-8F-L	B	12-10	8				
644-P10-10F-L	B	12-10	10				
644-P10-14F-L	B	12-10	1/4				

Tubular Rings

For quantities greater than listed, call for quote.

MOUSER STOCK NO.	Fig.	Wire Size	Stud Size	Price Each			
				1	100	500	1000
644-S6-10R-E	C	6	10				
644-S6-14R-E	C	6	1/4				
644-S6-56R-E	C	6	5/16				
644-S6-38R-E	C	6	3/8				
644-S2-10R-X	C	2 and 1	10				
644-S2-14R-X	C	2 and 1	1/4				
644-S2-56R-X	C	2 and 1	5/16				
644-S2-38R-X	C	2 and 1	3/8				

Butt Splices

For quantities greater than listed, call for quote.

MOUSER STOCK NO.	Fig.	Wire Size	Stud Size	Price Each			
				1	100	500	1000
644-BS18-M	D	22-18	----				
644-BS14-M	D	16-14	----				

Right Angle Female Disconnects (Sleeved Barrel)

For quantities greater than listed, call for quote.

MOUSER STOCK NO.	Fig.	Wire Size	Stud Size	Price Each			
				1	100	500	1000
644-DR18-250-M	E	22-18	.250 x .032				
644-DR14-250-M	E	16-14	.250 x .032				

Right Angle Female Disconnects (Butted Seam)

For quantities greater than listed, call for quote.

MOUSER STOCK NO.	Fig.	Wire Size	Stud Size	Price Each			
				1	100	500	1000
644-DR18-250B-M	E	22-18	.250 x .032				
644-DR14-250B-M	E	16-14	.250 x .032				

NYLON WIRE JOINTS - INSULATED

For quantities greater than listed, call for quote.

MOUSER STOCK NO.	Fig.	Wire Size	Length	Color Code	Price Each			
					1	100	500	1000
644-JN224-318-M	F	24-16	.79	Red				
644-JN218-216M	F	24-16	.78	Clear				

POWER CONNECTORS

Copper Compression Lugs and Splices



• Plating: Electro-Tin

For quantities greater than listed, call for quote.

MOUSER STOCK NO.	Fig.	Cond. Size Range	Current Rating (Amps)	Stud Hole Size (in.)	Hex Key Size (in.)	Price Each			
						1	10	100	500
644-LCA8-10-L	G	8	5/8	Red P21	#10				
644-LCA8-14-L	G	8	5/8	Red P21	1/4"				
644-LCA6-10-L	G	6	7/8	Blue P24	#10				
644-LCA6-14-L	G	6	7/8	Blue P24	1/4"				
644-LCA6-56-L	G	6	7/8	Blue P24	5/16"				
644-LCA6-38-L	G	6	7/8	Blue P24	3/8"				
644-LCA4-14-L	G	4	7/8	Gray P29	1/4"				
644-LCA1-14-E	G	1	15/16	Green P37	1/4"				
644-LCA1/0-38-X	G	1/0	1.0	Pink P42	3/8"				
644-SCS8-L	H	8	11/16	Red P21	---				

Controlled Cycle Crimping Tool

MOUSER STOCK NO.	Price Each
644-CT-1700	

Hand Operated Pliers Type Crimping Tool

MOUSER STOCK NO.	Price Each
644-CT-160	

Mechanical Connectors

For quantities greater than listed, call for quote.

MOUSER STOCK NO.	Fig.	Cond. Size Range	Current Rating (Amps)	Stud Hole Size (in.)	Hex Key Size (in.)	Price Each				
						1	10	100	500	
Copper Lugs										
644-CB175-38-QY	I	4-3/0	175	3/8	5/16					
644-CB35-36-CY	I	14-6	50	3/16	---					
644-CBA70-14-CY	I	14-4	70	1/4	---					
644-CX35-36-CY	J	14-6	50	3/16	---					
644-CX70-14-CY	J	14-4	70	1/4	---					
644-CX125-14-QY	J	4-1/0	125	1/4	---					
Aluminum Lugs										
644-LAMA6-14-QY	K	14-6	---	1/4	---					
644-LAMA2-14QY	K	14-2	---	1/4	---					
644-LAMA1/0-14-QY	K	14-1/0	---	1/4	---					
644-LAMA2/0-14-QY	K	14-2/0	---	1/4	---					
644-LAMA250-56-QY	K	6-250	---	5/16	3/8					

Stock No. Suffix Denotes Standard Package Quantity: X = 10, Q = 25, L = 50, C = 100, D = 500, M = 1000

TERMINAL ACCESSORIES

KP-1075Y includes the following:

- 20 each; PV18-8R, PV18-6R, PV14-8R, PV14-810R
- 10 each; PV10-8R, PV10-810R, DNF14-250, DNF18-250, BSV18X, BSV14X, BSV10X
- 5 each; JN148-212

MOUSER STOCK NO.	Description	Price Each
644-KP-1075Y	Terminal kit without crimping tool, 155 pieces	
644-K-1100	Terminal kit box with CT-100 (terminals not included)	
644-CT100A	All purpose crimper/stripper tool	
644-CT-200	Non-insulated crimper tool	

PANDUIT Insulated/Uninsulated Ferrules



This product is RoHS compliant.

REEL SMART™ CONTINUOUSLY MOLDED FERRULES

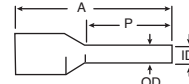
Deliver speed and reliability for higher volume terminations. The continuously molded design provides quick consistent placement of ferrules in tools to ensure reliable terminations.

Features:

- Available in #20 - #14 AWG featuring a seamless barrel design to contain loose wire strands for superior terminations.

Specifications:

- Housing material: Polypropylene
- Flammability: ULV2
- Ferrule Material: Tin-plated copper
- Temp Rating: 221°F (105°C)



RoHS Compliant

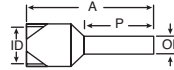
For quantities greater than listed, call for quote.

MOUSER STOCK NO.	Panduit Part No.	Wire Size		Color	Dimensions: mm				Price Each				Tooling
		AWG	mm ²		A	P	ID	OD	1	10	50	100	
644-FSD75-8-DSL10	FSD75-8-DSL10	20	.50	White	15.2	8.0	1.0	1.4					CT-1000
644-FSD75-8-DSL3	FS75-8-DSL3	20	.50	Orange	15.2	8.0	1.0	1.4					
644-FSD76-8-DSL8	FSD76-8-DSL8	18	.75	Gray	15.2	8.0	1.2	1.6					
644-FS76-8-DSL10	FS76-8-DSL10	18	.75	White	15.2	8.0	1.2	1.6					
644-FS76-8-DSL7	FS76-8-DSL7	18	.75	Lt. Blue	15.2	8.0	1.2	1.6					
644-FSD77-8-DSL2	FSD77-8-DSL2	18	1.00	Red	15.2	8.0	1.5	1.8					
644-FSD78-8-DSL0	FSD78-8-DSL0	16	1.50	Black	15.2	8.0	1.8	2.1					
644-FSD80-8-DSL6	FSD80-8-DSL6	14	2.50	Blue	15.2	8.0	2.3	2.6					

INSULATED FERRULES, SINGLE WIRE END SLEEVE

- Ease of wire insertion eliminates loose strands of wire
- No unwanted contacts when installing or removing the wire
- Encapsulated crimp eliminates stray wire breakage
- Great for limited space applications

- Wire strands will not fray or spread
- Maximizes a reliable electrical connection



RoHS Compliant

For quantities greater than listed, call for quote.

MOUSER STOCK NO.	Panduit Part No.	Wire Size		Color	Dimensions: mm				Price Each				Tooling
		AWG	mm ²		A	P	ID	OD	1	10	50	100	
644-FSD75-8-D	FSD75-8-D	22	0.50	White	13.5	8.0	2.5	1.4					CT-1003
644-FSD75-10-D	FSD75-10-D	22	0.50	White	15.5	10.0	2.5	1.4					
644-FSD76-8-D	FSD76-8-D	20	0.75	Gray	14.0	8.0	2.8	1.6					
644-FSD77-8-D	FSD77-8-D	18	1	Red	14.5	8.0	3.0	1.8					
644-FSD77-10-D	FSD77-10-D	18	1	Red	16.5	10.0	3.0	1.8					
644-FSD78-8-D	FSD78-8-D	16	1.5	Black	14.5	8.0	3.4	2.1					
644-FSD78-10-D	FSD78-10-D	16	1.5	Black	16.5	10.0	3.4	2.1					
644-FSD78-18-D	FSD78-18-D	16	1.5	Black	24.5	18.0	3.4	2.1					
644-FSD80-8-D	FSD80-8-D	14	2.50	Blue	15.0	8.0	4.2	2.6					
644-FSD80-18-D	FSD80-18-D	14	2.50	Blue	25.0	18.0	4.2	2.6					

INSULATED FERRULES, TWIN WIRE END SLEEVE

For quantities greater than listed, call for quote.

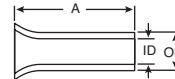
MOUSER STOCK NO.	Panduit Part No.	Wire Size		Color	Dimensions: mm				Price Each				Tooling
		AWG	mm ²		A	P	ID	OD	1	10	50	100	
644-FTD75-8-D	FTD75-8-D	22	0.50	White	15.0	8.0	1.5	1.8					CT-1002 CT-1003
644-FTD76-8-D	FTD76-8-D	20	0.75	Gray	15.0	8.0	1.8	2.1					
644-FTD77-8-D	FTD77-8-D	18	1	Red	15.0	8.0	2.1	2.4					
644-FTD78-8-D	FTD78-8-D	16	1.5	Black	16.0	8.0	2.3	2.6					

NON-INSULATED FERRULES, SINGLE WIRE END SLEEVE

Panduit Ferrules are available for wiring applications from #26 AWG to #1 AWG. Offerings include insulated and non-insulated ferrules, in single-wire or double-wire configurations.

- Designed with a seamless barrel to contain loose wire strands for superior terminations
- Eases insertion of wire into terminal block
- Meets DIN standards for wire containment

- Suitable for limited space panel applications
- Multiple pin lengths available for a variety of terminal blocks



RoHS Compliant

For quantities greater than listed, call for quote.

MOUSER STOCK NO.	Panduit Part No.	Wire Size		Color	Dimensions: mm			Price Each			Tooling
		AWG	mm ²		A	ID	OD	1	100	200	
644-F73-5-M	F73-5-M	24	0.25	Neutral	5.0	0.8	1.1				CT-1002
644-F74-5-M	F74-5-M	24	0.34	Neutral	5.0	0.9	1.2				
644-F75-6-M	F75-6-M	22	0.50	Neutral	5.0	1.0	1.3				CT-1003
644-F75-8-M	F75-8-M	22	0.50	Neutral	8.0	1.0	1.3				
644-F76-6-M	F76-6-M	20	0.75	Neutral	6.0	1.2	1.5				
644-F77-6-M	F77-6-M	18	1	Neutral	6.0	1.4	1.7				
644-F78-7-M	F78-7-M	16	1.5	Neutral	7.0	1.7	2.0				
644-F78-8-M	F78-8-M	16	1.5	Neutral	8.0	1.7	2.0				
644-F78-10-M	F78-10-M	16	1.5	Neutral	10.0	1.7	2.0				
644-F78-15-M	F78-15-M	16	1.5	Neutral	15.0	1.7	2.0				
644-F80-7-M	F80-7-M	14	2.5	Neutral	7.0	2.2	2.5				
644-F80-10-M	F80-10-M	14	2.5	Neutral	10.0	2.2	2.5				
644-F80-15-M	F80-15-M	14	2.5	Neutral	15.0	2.2	2.5				
644-F81-9-M	F81-9-M	12	4	Neutral	9.0	2.8	3.2				
644-F81-15-M	F81-15-M	12	4	Neutral	15.0	2.8	3.2				
644-F82-10-M	F82-10-M	10	6	Neutral	10.0	3.5	3.9				

FERRULE END SLEEVE CRIMPING TOOLS

These ergonomically engineered crimping tools promote operator comfort and safety, which leads to greater productivity. • 2 year warranty • Superior Crimp Performance

MOUSER STOCK NO.	Panduit Part No.	Description	Price Each
644-CT-1002	CT-1002	Crimps PANDUIT #26-#10 AWG single wire vinyl insulated ferrules. #22-#12 AWG vinyl insulated dual-wire ferrules. #24-#10 AWG non-insulated ferrules.	
644-CT-1003	CT-1003	Crimps PANDUIT #22-#8 AWG single wire insulated ferrules. #22-#12 AWG vinyl insulated dual-wire ferrules. #22-#10 AWG non-insulated ferrules.	

SEMI-AUTOMATIC FERRULE CRIMPING TOOL

For use with Reel Smart™ continuously molded ferrules in strips of 50.

- Adjustable die setting
- Controlled cycle tool cuts, strips, and crimps wire to maximize efficiency

MOUSER STOCK NO.	Panduit Part No.	Description	Price Each
644-CT-1000	CT-1000	Crimps PANDUIT #20 - #14 AWG continuously molded ferrules in strips. Also cuts and strips wire.	

FERRULE KITS

Plastic case, Assorted Insulated and Non-Insulated Ferrules



RoHS Compliant

MOUSER STOCK NO.	Panduit Part No.	Description	Price Each
644-KP-FSD1	KP-FSD1	#24-#18 AWG insulated. Kit includes: 30 pcs. ea. of FSD73-6, FSD74-6, FSD75-8, FSD76-8 and FSD77-8	
644-KP-FSD2	KP-FSD2	#22-#14 AWG Insulated. Kit includes 100 pcs. ea. of FSD76-8, FSD77-8, FSD78-8 and 50 pcs. ea. of FSD75-8 and FSD80-8.	
644-KP-F2	KP-F2	#12-#6 AWG Non-Insulated. Kit Includes: 150 pcs. of F81-9, 100 pcs. of F82-10, 80 pcs. of F83-12 and 40 pcs. of F84-12	

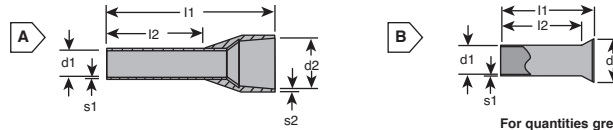
PHOENIX CONTACT Ferrules



SINGLE WIRE FERRULES

Insulated

- Material: Electrolytic copper with tin plating
- The plastic insulating sleeves simplify the fitting onto the conductor and the colors denote the size of the cross section



For quantities greater than listed, call for quote.

MOUSER STOCK NO.	Phoenix Part No.	Phoenix Type	Fig.	Color	Wire Size		Dimensions: mm						Price Each			
					(mm2)	AWG	l1	l2	d1	d2	s1	s2	1	10	50	100
651-3203024	3203024	AI 0.25-6 YE	A	Yellow	0.25	24	10.50	6.00	0.80	2.00	0.25	0.25				
651-3203053	3203053	AI 0.34-6 TQ	A	Turquoise	0.34	22	10.50	6.00	0.80	2.00	0.25	0.25				
651-3200014	3200014	AI 0.5-8WH	A	White	0.5	20	14.00	8.00	1.10	2.50	0.15	0.25				
651-3201301	3201301	AI 0.5-6 OG	A	Orange	0.5	20	12.00	6.00	1.10	2.50	0.15	0.25				
651-3200687	3200687	AI 0.5 - 6 WH	A	White	0.5	20	12.00	6.00	1.10	2.50	0.15	0.25				
651-3201275	3201275	AI 0.5 -10 WH	A	White	0.5	20	16.00	10.00	1.10	2.50	0.15	0.25				
651-3200182	3200182	AI 1-10 RD	A	Red	0.75	18	14.00	8.00	1.30	2.80	0.15	0.25				
651-3200027	3200027	AI 0.75-8 BU	A	Blue	1	18	16.00	10.00	1.50	3.00	0.15	0.30				
651-3200030	3200030	AI 1-8 RD	A	Red	1	18	14.00	8.00	1.50	3.00	0.15	0.30				
651-3200519	3200519	AI 0.75-8 GY	A	Gray	0.75	18	14.00	8.00	1.30	2.80	0.15	0.25				
651-3201314	3201314	AI 0.75-6 WH	A	White	0.75	18	12.00	6.00	1.30	2.80	0.15	0.25				
651-3200742	3200742	AI 1 - 6 RD	A	Red	1	18	12.00	6.00	1.50	3.00	0.15	0.30				
651-3200195	3200195	AI 1.5-10 BK	A	Black	1.5	16	18.00	10.00	1.80	3.40	0.15	0.30				
651-3201136	3201136	AI 1.5-8 RD	A	Red	1.5	16	14.00	8.00	1.80	3.40	0.15	0.30				
651-3200043	3200043	AI 1.5-8 BK	A	Black	1.5	16	14.00	8.00	1.80	3.40	0.15	0.30				
651-3200755	3200755	AI 1,5 - 6 BK	A	Black	1.5	16	12.00	6.00	1.80	3.40	0.15	0.30				
651-3200522	3200522	AI 2,5 - 8 BU	A	Blue	2.5	14	14.00	8.00	2.30	4.20	0.15	0.30				
651-3200962	3200962	AI 2.5-12 BU	A	Blue	2.5	14	18.00	12.00	2.30	4.20	0.15	0.30				
651-3200072	3200072	AI 2.5-18 GY	A	Gray	2.5	14	24.00	18.00	2.30	4.20	0.15	0.30				
651-3200535	3200535	AI 4-10 GY	A	Gray	4	12	17.00	10.00	2.80	4.80	0.20	0.30				
651-3200438	3200438	AI 4-12 OG	A	Orange	4	12	19.00	12.00	2.80	4.80	0.20	0.30				
651-3200593	3200593	AI 4 -18 GY	A	Gray	4	12	26.00	18.00	2.80	4.80	0.20	0.30				
651-3200548	3200548	AI 6-12 YE	A	Yellow	6	10	20.00	12.00	3.50	6.20	0.20	0.30				
651-3201107	3201107	AI 6-12 BK	A	Black	6	10	20.00	12.00	3.50	6.20	0.20	0.30				
651-3200108	3200108	AI 6 -12 GN	A	Green	6	10	20.00	12.00	3.50	6.20	0.20	0.30				

Uninsulated

- Material: Electrolytic copper with tin plating
- Dimensions of the ferrules correspond to DIN 46 228-1



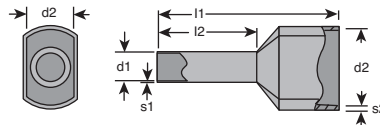
RoHS Compliant

For quantities greater than listed, call for quote.

MOUSER STOCK NO.	Phoenix Part No.	Phoenix Type	Fig.	Color	Wire Size		Dimensions: mm						Price Each			
					(mm2)	AWG	l1	l2	d1	d2	s1	s2	1	10	50	100
651-3200218	3200218	A 0.5-6	B	-	0.5	20	6.00	5.30	1.00	0.15	2.10	---				
651-3200221	3200221	A 0.75-6	B	-	0.75	18	6.00	5.30	1.20	0.15	2.30	---				
651-3200250	3200250	A 1-10	B	-	1	18	10.00	9.30	1.40	0.15	2.50	---				
651-3200276	3200276	A 1.5-10	B	-	1.5	16	10.00	9.00	1.70	0.15	2.80	---				
651-3200263	3200263	A 1.5-7	B	-	1.5	16	7.00	6.00	1.70	0.15	2.80	---				
651-3200289	3200289	A 2.5-7	B	-	2.5	14	7.00	6.00	2.20	0.15	3.40	---				

TWIN WIRE FERRULES - INSULATED

- Material: Electrolytic copper with tin plating
- Dimensions of the ferrules correspond to DIN 46 228-1



For quantities greater than listed, call for quote.

MOUSER STOCK NO.	Phoenix Part No.	Phoenix Type	Color	Wire Size		Dimensions: mm						Price Each				
				(mm2)	AWG	l1	l2	d1	d2	s1	s2	1	10	50	100	
651-3200933	3200933	AI-TWIN 2 X 0.5-8 WH	White	2 x 0.5	20	15.00	8.00	1.50	2.5/4.7	0.15	0.25					
651-3200807	3200807	AI-TWIN 2 X 0.75-8 GY	Gray	2 x 0.75	18	15.00	8.00	1.80	2.8/5.0	0.15	0.25					
651-3200810	3200810	AI-TWIN 2 X 1-8 RD	Red	2 x 1	18	15.00	8.00	2.05	3.4/5.4	0.15	0.30					
651-3200823	3200823	AI-TWIN 2 X 1.5-8 BK	Black	2 x 1.5	16	16.00	8.00	2.30	3.6/6.6	0.15	0.30					
651-3200836	3200836	AI-TWIN 2 X 2.5-10 BU	Blue	2 x 2.5	14	18.50	10.00	2.90	4.2/7.8	0.20	0.30					
651-3201000	3201000	AI-TWIN 2 X 4-12 GY	Gray	2 x 4	12	23.00	12.00	3.80	4.9/8.8	0.20	0.30					
651-3201013	3201013	AI-TWIN 2 X 6-14 YE	Yellow	2 x 10	10	25.00	14.00	4.90	5.9/10	0.20	0.40					

FERRULE KITS

Features: 651-1202072

- Metal case with latch
- Assorted insulated ferrules with wire stripper and crimping tool
- Clear labeling on the inner side of the lid



Part number 651-1202072 illus.

Features: 651-3202960, 651-3202973, 651-3202999

- Plastic containers with separate compartments for different ferrules
- Transparent covers and color-marked ferrules for quick and easy access
- Able to be mounted on walls, or pegboard, to save space



Part number 651-3202960 illus.



RoHS Compliant

For quantities greater than listed, call for quote.

MOUSER STOCK NO.	Phoenix Part No.	Phoenix Type	Description	Price Each	
				1	5
651-1202072	1202072	CRIMPSET 6	KIT contains the following: 500 each of the 3203024, 3203053, 3200014, 3200519, 3200030, 3200043; 300 each of the 3200522; 200 each of the 3200535, 100 each of the 3200548; 1 QUICK-WIREFOX wire stripper; 1 CRIMPFOX UD 6		
651-3202960	3202960	AI SORTI BOX RD	KIT contains the following: 100 each of 3200519, 3200030, 3200043; 50 each of 3200014, 3200522		
651-3202973	3202973	AI SORTI BOX ANT	KIT contains the following: 50 each of 3200535; 25 each of 3200548, 3200551; 10 each of 3200564		
651-3202999	3202999	AI-TWIN-SORTI-BOX GY	KIT contains the following: 20 each of 3201000; 10 each of 3201013, 3201026		

TOOLS

For quantities greater than listed, call for quote.

MOUSER STOCK NO.	Phoenix Part No.	Phoenix Type	Description	Price Each
651-1212686	1212686	CRIMPFOX 16-N	Crimping Tool for 26 - 10 AWG, Trapezoidal Crimping	
651-1212690	1212690	CRIMPFOX-WF 6-N/DIE	Replacement Die	
651-1212038	1212038	CRIMPFOX 61-F	Crimping Pliers for 24 - 10 AWG, Trapezoidal Crimping	
651-1212046	1212046	CRIMPFOX 6H	Crimping Pliers for 23 - 10 AWG, Hexagonal Crimping	
651-1204384	1204384	QUICK WIREFOX 6	Wire Stripper, 24-10 AWG, up to 18mm stripping lengths	

TE Terminals and Splices

RoHS Compliant This product is RoHS compliant.

ULTRA-FAST FULLY INSULATED FASTON RECEPTACLES AND TABS

- Tin-plated brass
- Flammability rating: UL94V-0
- Nylon insulation



For quantities greater than listed, call for quote.

MOUSER STOCK NO.	TE Part No.	Fig.	Color	Size (In.)	Wire Size (AWG)	Price Each			
						1	100	500	1000
Fully Insulated FASTON Receptacles									
571-25200842	2-520084-2	A	Red	.110/.125 x .020	22-18				
* 571-2-520182-2	2-520182-2	A	Red	.187 x .020	22-18				
571-25204092	2-520409-2	A	Red	.187 x .020	22-18				
571-33508162	3-350816-2	A	Blue	.187 x .020	16-14				
571-2-520184-2	2-520184-2	A	Red	.250 x .032	22-18				
* 571-2-520407-2	2-520407-2	A	Red	.250 x .032	22-18				
571-33508202	3-350820-2	A	Blue	.250 x .032	16-14				
* 571-35204082	3-520408-2	A	Blue	.250 x .032	16-14				
Fully Insulated FASTON Flag Receptacles									
571-25203352	2-520335-2	B	Red	.187 x .020	22-18				
571-3-520339-2	3-520339-2	B	Blue	.187 x .020	16-14				
571-25201292	2-520129-2	B	Red	.250 x .032	22-18				
571-35201332	3-520133-2	B	Blue	.250 x .032	16-14				
Fully Insulated FASTON Tabs									
571-25201032	2-520103-2	C	Red	.250 x .032	22-18				
571-35201072	3-520107-2	C	Blue	.250 x .032	16-14				
571-25211032	2-521103-2	C	Red	.187 x .020	22-18				

Tools for Ultra-Fast FASTON Terminals

For quantities greater than listed, call for quote.

MOUSER STOCK NO.	TE Part No.	Description	Price Each
571-58078-3	58078-3	Crimping tool frame without dies	
571-903903	90390-3	22-18 awg die set	
571-903913	90391-3	16-14 awg die set	

SOLISTRAND, UNINSULATED TERMINALS

Designed to terminate solid and stranded wire and irregular shaped conductors while retaining performance characteristics of single purpose terminals and splices.

- Tin-plated copper
- Temperature rating: 170°C
- Meet or exceed the requirements of MIL-T-7928, Type 1, Class 1 and 2



Ring Tongue Terminals

For quantities greater than listed, call for quote.

MOUSER STOCK NO.	TE Part No.	Fig.	Stud Size	Wire Size (AWG)	Price Each			
					1	100	500	1000
571-34105	34105	D	#6	22-16				
571-34108	34108	D	#8	22-16				
571-34109	34109	D	#10	22-16				
571-34113	34113	D	1/4"	22-16				
571-34114	34114	D	5/16"	22-16				
571-34115	34115	D	3/8"	22-16				
571-34120	34120	D	#6	16-14				
571-34122	34122	D	#8	16-14				
571-34123	34123	D	#10	16-14				
571-34124	34124	D	1/4"	16-14				
571-34125	34125	D	5/16"	16-14				
571-34126	34126	D	3/8"	16-14				
571-35476	35476	D	#6	12-10				
571-32994	32994	D	#8	12-10				
571-33457	33457	D	#10	12-10				
571-33458	33458	D	1/4"	12-10				
571-33459	33459	D	5/16"	12-10				
571-33220	33220	D	3/8"	12-10				

Spade Tongue Terminals

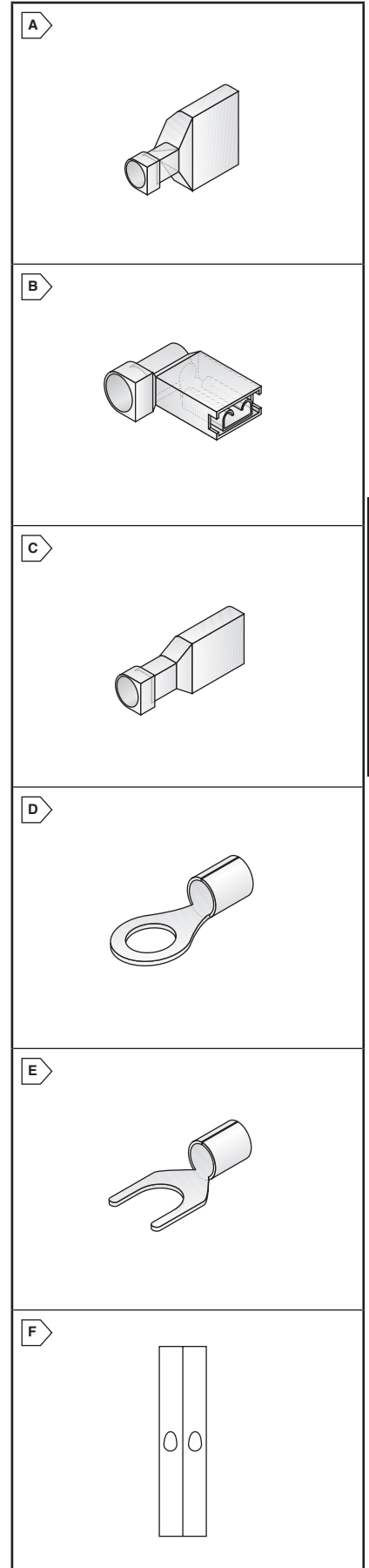
For quantities greater than listed, call for quote.

MOUSER STOCK NO.	TE Part No.	Fig.	Stud Size	Wire Size (AWG)	Price Each			
					1	100	500	1000
571-535551	53555-1	E	#2	22-16				
571-323127	323127	E	#6	22-16				
571-34117	34117	E	#8	22-16				
571-34118	34118	E	#10	22-16				
571-322451	322451	E	#6	12-10				
571-32995	32995	E	#8	12-10				

Butt Splices

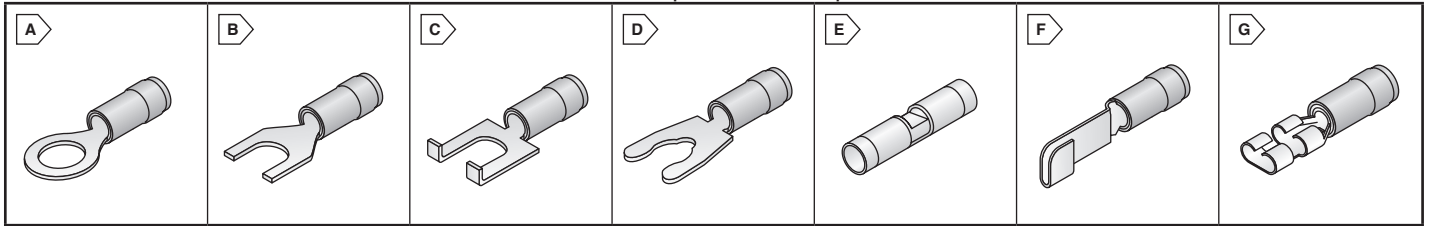
For quantities greater than listed, call for quote.

MOUSER STOCK NO.	TE Part No.	Fig.	Stud Size	Wire Size (AWG)	Price Each			
					1	100	500	1000
571-31818	31818	F	---	22-16				
571-31819	31819	F	---	16-14				
571-32151	32151	F	---	12-10				



Terminals

TE Connectivity



PIDG NYLON (PRE-INSULATED DIAMOND GRIP) TERMINALS

Designed for complete and uniform reliability in the most difficult circuit environments. These nylon terminals feature a tin plated copper body with a special designed copper sleeve that is fitted over the terminal barrel to provide maximum circumferential insulation support to the wire.

Features:

- High dielectric strength
- Temperature rating: 105°C
- Funnel ramp entry
- Meet or exceed requirements of MIL-T-7928, Type II, Class 1 and 2
- Copper support sleeve for insulation



* 26-22 splices are 26-24 range in accordance with MIL-T-7928.
† 22-16 splices are 22-18 range in accordance with MIL-T-7928.

For quantities greater than listed, call for quote.

MOUSER STOCK NO.	TE Part No.	Fig.	Color	Stud Size	Wire Size (AWG)	Price Each		
						1	100	500
Ring Tongue Terminals								
571-323912	323912	A	Yellow	#2	26 - 22			
571-323914	323914	A	Yellow	#4	26 - 22			
571-323915	323915	A	Yellow	#6	26 - 22			
571-323916	323916	A	Yellow	#8	26 - 22			
571-324075	324075	A	Yellow	#10	26 - 22			
571-328657	328657	A	Red	#2	22 - 16			
571-31880	31880	A	Red	#4	22 - 16			
571-36152	36152	A	Red	#6	22 - 16			
571-31890	31890	A	Red	#8	22 - 16			
571-36154	36154	A	Red	#10	22 - 16			
571-31894	31894	A	Red	1/4"	22 - 16			
571-31895	31895	A	Red	5/16"	22 - 16			
571-31897	31897	A	Red	3/8"	22 - 16			
571-320619	320619	A	Blue	#6	16 - 14			
571-320565	320565	A	Blue	#8	16 - 14			
571-36160	36160	A	Blue	#10	16 - 14			
571-321045	321045	A	Blue	1/4"	16 - 14			
571-328998	328998	A	Blue	5/16"	16 - 14			
571-328999	328999	A	Blue	3/8"	16 - 14			
571-35149	35149	A	Yellow	#6	12 - 10			
571-35108	35108	A	Yellow	#8	12 - 10			
571-35109	35109	A	Yellow	#10	12 - 10			
571-35110	35110	A	Yellow	1/4"	12 - 10			
571-35111	35111	A	Yellow	5/16"	12 - 10			
571-35112	35112	A	Yellow	3/8"	12 - 10			
571-35151	35151	A	Yellow	1/2"	12 - 10			
Spade Tongue Terminals								
571-328394	328394	B	Red	#2	22 - 16			
571-327717	327717	B	Red	#4	22 - 16			
571-34541	34541	B	Red	#6	22 - 16			
571-32053	32053	B	Red	#8	22 - 16			
571-32054	32054	B	Red	#10	22 - 16			
571-35559	35559	B	Blue	#6	16 - 14			
571-32059	32059	B	Blue	#8	16 - 14			
571-321233	321233	B	Blue	#8	16 - 14			
571-32060	32060	B	Blue	#10	16 - 14			
571-32589	32589	B	Yellow	#10	12 - 10			
Flanged Spade Tongue Terminals								
571-324608	324608	C	Red	#2	22 - 16			
571-32562	32562	C	Red	#6	22 - 16			
571-320861	320861	C	Blue	#6	16 - 14			
571-320862	320862	C	Blue	#8	16 - 14			
571-325150	325150	C	Yellow	#6	12 - 10			
Short Spring Spade Tongue Terminals								
571-52927	52927	D	Red	#4	22 - 16			
571-52929	52929	D	Red	#6	22 - 16			
571-52930	52930	D	Red	#8	22 - 16			
571-52931	52931	D	Red	#10	22 - 16			
571-52935	52935	D	Blue	#6	16 - 14			
571-52936	52936	D	Blue	#8	16 - 14			
571-52937	52937	D	Blue	#10	16 - 14			
571-52941	52941	D	Yellow	#6	12 - 10			
571-52942	52942	D	Yellow	#8	12 - 10			
Butt Splices								
571-323994	323994	E	Yellow	---	26 - 22			
571-320559	320559	E	Red	---	22 - 16			
571-320562	320562	E	Blue	---	16 - 14			
571-320570	320570	E	Yellow	---	12 - 10			
Knife Disconnect Splices								
571-32446	32446	F	Red	---	22 - 16			
571-32448	32448	F	Blue	---	16 - 14			

PIDG FASTON RECEPTACLES

Features:

- Tin-plated brass
- No dimple with wire stop



For quantities greater than listed, call for quote.

MOUSER STOCK NO.	TE Part No.	Fig.	Color	Size(in.)	Wire Size (AWG)	Price Each		
						1	100	500
571-6409231	640923-1	G	Red	.110" x .020"	22 - 18			
571-6409291	640929-1	G	Blue	.110" x .020"	16 - 14			
571-428441	42844-1	G	Green	.250" x .032"	14 - 12			
571-6409171	640917-1	G	Red	.187" x .020"	22 - 18			
* 571-6409111	640911-1	G	Red	.205" x .032"	22 - 18			
* 571-6409151	640915-1	G	Blue	.205" x .032"	16 - 14			
* 571-608941	60894-1	G	Natural	.110" x .032"	22 - 18			
571-6409191	640919-1	G	Blue	.187" x .020"	16 - 14			
* 571-6409091	640909-1	G	Red	.205" x .020"	22 - 18			
571-6409031	640903-1	G	Red	.250" x .032"	22 - 18			
571-6409051	640905-1	G	Blue	.250" x .032"	16 - 14			
571-6409071	640907-1	G	Yellow	.250" x .032"	12 - 10			

*Dimple with wire stop

PLASTI-GRIP VINYL PRE-INSULATED TERMINALS

22-16 terminals and splices are stamped 22-18 in accordance with MIL-T-7928 commercial wire, range is 22-16.

Features:

- Tin-plated copper
- Vinyl insulation
- Temperature rating: 90°C

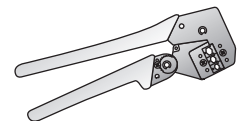


For quantities greater than listed, call for quote.

MOUSER STOCK NO.	TE Part No.	Fig.	Color	Stud Size	Wire Size (AWG)	Price Each		
						1	100	500
Ring Tongue Terminals								
571-34141	34141	A	Red	#4	22 - 16			
571-34142	34142	A	Red	#6	22 - 16			
571-34148	34148	A	Red	#8	22 - 16			
571-34149	34149	A	Red	#10	22 - 16			
571-34151	34151	A	Red	5/16"	22 - 16			
571-34160	34160	A	Blue	#8	16 - 14			
571-34161	34161	A	Blue	#10	16 - 14			
571-34163	34163	A	Blue	5/16"	16 - 14			
571-34853	34853	A	Yellow	#8	12 - 10			
571-34854	34854	A	Yellow	#10	12 - 10			
571-34173	34173	A	Yellow	3/8"	12 - 10			
Spade Tongue Terminals								
571-320665	320665	B	Red	#6	22 - 16			
571-34156	34156	B	Red	#10	22 - 16			
571-322994	322994	B	Blue	#6	16 - 14			
571-8-34166-1	8-34166-1	B	Blue	#8	16 - 14			
571-34176	34176	B	Yellow	#10	12 - 10			
Flanged Spade Tongue Terminals								
571-322249	322249	C	Red	#6	22 - 16			
571-328516	328516	C	Red	#10	22 - 16			
571-324165	324165	C	Blue	#6	16 - 14			
Short Spring Spade Tongue Terminal								
571-52949	52949	D	Red	#6	22 - 16			
Butt Splices								
571-34070	34070	E	Red	---	22 - 16			
571-34071	34071	E	Blue	---	16 - 14			
571-34072	34072	E	Yellow	---	12 - 10			

CRIMP TOOL FOR SOLDERLESS TERMINALS

Heavy duty or small task tool designed with crimper, cutter, and stripper all in one.



For quantities greater than listed, call for quote.

MOUSER STOCK NO.	TE Part No.	Description	Price Each
571-3549401	354940-1	Procrimper III without dies	
571-584231	58423-1	Die set for Procrimper III	

SOLISTRAND UNINSULATED TERMINALS

Short Spring Spade Tongue Terminals

For quantities greater than listed, call for quote.

MOUSER STOCK NO.	TE Part No.	Fig.	Stud Size	Wire Size (AWG)	Dimensions L x W	Price Each			
						1	100	500	1000
571-531751	53175-1	A	4	22-16	.576 x .203				
571-531201	53120-1	A	6	22-16	.576 x .250				
571-531231	53123-1	A	6	16-14	.576 x .250				
571-531261	53126-1	A	6	12-10	.636 x .250				

DIAMOND GRIP UNINSULATED TERMINALS

Ring Tongue Terminals

For quantities greater than listed, call for quote.

MOUSER STOCK NO.	TE Part No.	Fig.	Stud Size	Wire Size (AWG)	Dimensions L x W	Price Each			
						1	100	500	1000
571-31518	31518	B	2	26-22	.464 x .140				
571-31094	31094	B	4	22-16	.603 x .218				
571-30996	30996	B	8	22-16	.775 x .312				
571-30927	30927	B	8	16-14	.790 x .343				

RING TONGUE RADIATION RESISTANT TERMINALS

For quantities greater than listed, call for quote.

MOUSER STOCK NO.	TE Part No.	Fig.	Color	Stud Size	Wire Size (AWG)	Price Each			
						1	100	500	1000
571-696422-5	696422-5	C	Red	8	22-16				
571-696422-6	696422-6	C	Red	10	22-16				

PIDG RING TONGUE INSULATION RESTRICTING TERMINALS

For quantities greater than listed, call for quote.

MOUSER STOCK NO.	TE Part No.	Fig.	Color	Stud Size	Wire Size (AWG)	Price Each			
						1	100	500	1000
571-13205513	1-320551-3	D	Red/Red	8	22-16				
571-13205514	1-320551-4	D	Red/White	8	22-16				
571-2361535	2-36153-4	D	Red/White	10	22-16				
571-518649	51864-9	D	Blue/Green	10	16-14				
571-23205634	2-320563-4	D	Blue/Green	1/4	14				
571-2361614	2-36161-4	D	Yellow/Brown	10	10				

PIDG OFFSET AND SLOTTED RING TONGUE TERMINALS

For quantities greater than listed, call for quote.

MOUSER STOCK NO.	TE Part No.	Fig.	Color	Stud Size	Wire Size (AWG)	Price Each			
						1	100	500	1000
571-323011	323011	E	Yellow	6	26-22				
571-36954	36954	E	Red	8	22-16				

PIDG SPARE WIRE CAPS

* Not sealed

For quantities greater than listed, call for quote.

MOUSER STOCK NO.	TE Part No.	Fig.	Cap Insulation Color	Wire Size (AWG)	Price Each				
					1	100	500	1000	
Unstripped Wire									
571-324484	324485	F	Red	---					
Stripped Wire									
571-328307	328307	G	Red	22-18					

CLOSED END SPLICES

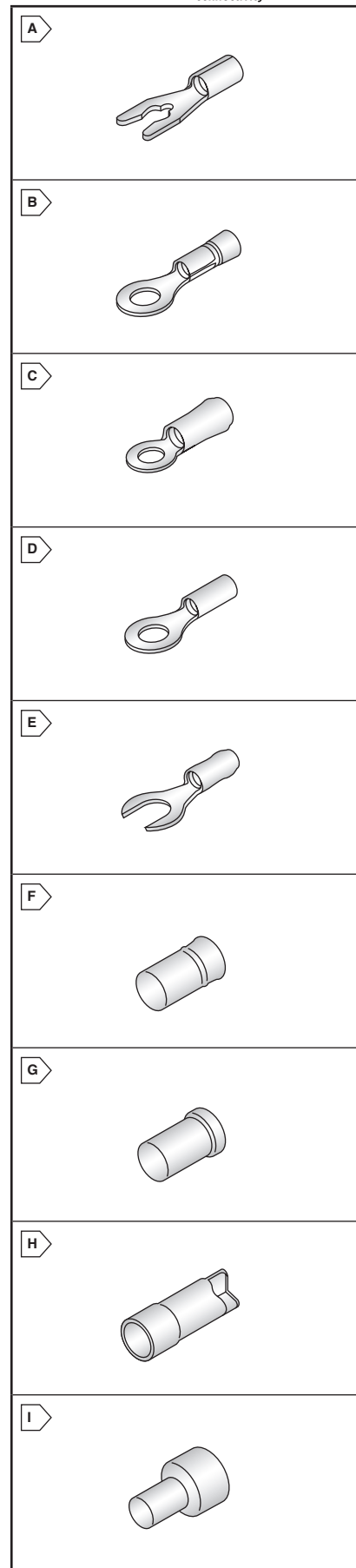
Splice Marking

- VS 300V, 90°C
- ECV 600V max. Building wiring 1000V max.
- Fixtures and signs, 105°C UL, 90°C CSA
- ECN 300V 105°C
- EC 600V max. Building wiring 1000V max; Fixtures and signs, 105°C

* Max. recommended operating temperature, 150°C

For quantities greater than listed, call for quote.

MOUSER STOCK NO.	TE Part No.	Fig.	Material	Color	Length	Wire Size (AWG)	Splice Marking	Price Each			
								1	100	500	1000
Vinyl BOMB-TAIL Splices											
571-34306	34306	H	Copper	Blue	0.750	22-16	VS				
571-23283753	2-328375-3	H	Copper	Purple	0.775	22-14	VS				
571-532341	53234-1	H	Copper	Transparent	1.500	22-12	ECV				
Nylon Molded Splices											
571-35115	35115	I	Copper	Transparent	0.680	22-14	ECN				
571-35653	35653	I	Copper	Transparent	0.775	22-10	ECN				
* 571-559291	55929-1	I	Copper	Black	0.970	22-10	EC				
571-328730	328730	I	Copper	Transparent	0.720	22-10	EC				



Terminals

TE Connectivity

MOLEX Eurostyle Terminal Blocks

RoHS Compliant **This product is RoHS compliant.**
EUROSTYLE 3.50MM FIXED PCB TERMINAL BLOCKS

Features:

- Insulator: Polyamide, UL94V-0, black
- Terminal: Brass, tin plated
- Clamp: Brass, nickel plated
- Screws: M2 bronze, nickel plated
- Operating Temp: -30°C to +105°C
- Wire Range: 16 to 28AWG
- Voltage: 300V
- Rating: UL 12A @ 300V

For quantities greater than listed, call for quote.

MOUSER STOCK NO.	Molex Part No.	Fig.	No. of Circuits	Dimensions: mm			Price Each			
				H	W	L	1	25	50	100
538-39357-0002	39357-0002	A	2	8.51	7.29	3.50				
538-39357-0003	39357-0003	A	3	8.51	7.29	7.00				
538-39357-0004	39357-0004	A	4	8.51	7.29	10.50				
538-39357-0005	39357-0005	A	5	8.51	7.29	14.00				
538-39357-0006	39357-0006	A	6	8.51	7.29	17.50				
538-39357-0007	39357-0007	A	7	8.51	7.29	21.00				
538-39357-0008	39357-0008	A	8	8.51	7.29	24.50				
538-39357-0009	39357-0009	A	9	8.51	7.29	28.00				
538-39357-0010	39357-0010	A	10	8.51	7.29	31.50				

EUROSTYLE 5.00MM LOW PROFILE PCB TERMINAL BLOCKS

Features:

- Insulator: Polyamide, UL94V-0, gray
- Terminal: Brass, tin plated
- Wire Protector: Phosphor bronze, tin plated
- Screws: Steel, zinc chromate plated
- Operating Temp: -55°C to +105°C
- Rating: UL 13.5A @300V

For quantities greater than listed, call for quote.

MOUSER STOCK NO.	Molex Part No.	Fig.	No. of Circuits	Dimensions: mm			Price Each			
				H	W	L	1	25	50	100
Horizontal										
538-39890-0302	39890-0302	B	2	10.00	8.20	5.00				
538-39890-0303	39890-0303	B	3	10.00	8.20	10.00				
35° Entry										
538-39890-0402	39890-0402	C	2	15.00	12.50	5.00				
538-39890-0403	39890-0403	C	3	15.00	12.50	10.00				

EUROSTYLE 5.00MM ESE FIXED TERMINAL BLOCKS

Features:

- Screw Material: Steel
- Terminal: Brass
- Operating Temp: -40°C to +105°C
- Wire Range: 14-24AWG

For quantities greater than listed, call for quote.

MOUSER STOCK NO.	Molex Part No.	Fig.	No. of Circuits	Dimensions: mm			Price Each			
				H	W	L	1	25	50	100
538-39543-0002	39543-0002	D	2	14.50	9.50	10.00				
538-39543-0003	39543-0003	D	3	14.50	9.50	15.00				
538-39543-0004	39543-0004	D	4	14.50	9.50	20.00				
538-39543-0005	39543-0005	D	5	14.50	9.50	25.00				
538-39543-0006	39543-0006	D	6	14.50	9.50	30.00				
538-39543-0007	39543-0007	D	7	14.50	9.50	35.00				
538-39543-0008	39543-0008	D	8	14.50	9.50	40.00				
538-39543-0009	39543-0009	D	9	14.50	9.50	45.00				
538-39543-0010	39543-0010	D	10	14.50	9.50	50.00				

EUROSTYLE 5.08MM LOW PROFILE PCB TERMINAL BLOCKS

Features:

- Insulator: Polyamide, UL94V-0, black
- Terminal: Copper Alloy, tin plated
- Screws: 3mm Copper Alloy
- Operating Temp: 105°C
- Voltage: 300V
- Maximum Current: 13.5A

For quantities greater than listed, call for quote.

MOUSER STOCK NO.	Molex Part No.	Fig.	No. of Circuits	Dimensions: mm			Price Each			
				H	W	L	1	25	50	100
Horizontal										
538-39880-0302	39880-0302	E	2	10.00	8.20	5.08				
538-39880-0303	39880-0303	E	3	10.00	8.20	10.16				
35° Entry										
538-39880-0402	39880-0402	C	2	15.00	12.50	5.08				
538-39880-0403	39880-0403	C	3	15.00	12.50	10.16				

EUROSTYLE 5.08MM ESE SINGLE-PIECE (FIXED) BLOCKS

Features:

- Insulator: Polyamide, UL94V-0, black
- Pressure Clamp: Brass, nickel plated
- Contacts: Phosphor bronze, hot tin dip
- Screws: Steel, zinc chromate plated
- Wire Range: 12 to 26AWG
- Single piece (fixed)
- Rating: UL Class B: 20Amps@300V
- UL Class C: 10Amps@ 300V
- CSA: 15Amps@ 300V

For quantities greater than listed, call for quote.

MOUSER STOCK NO.	Molex Part No.	Fig.	No. of Circuits	Dimensions: mm			Price Each			
				H	W	L	1	25	50	100
538-39544-3002	39544-3002	F	2	14.40	10.00	10.16				
538-39544-3003	39544-3003	F	3	14.40	10.00	15.24				
538-39544-3004	39544-3004	F	4	14.40	10.00	20.32				
538-39544-3005	39544-3005	F	5	14.40	10.00	25.40				
538-39544-3006	39544-3006	F	6	14.40	10.00	30.48				
538-39544-3007	39544-3007	F	7	14.40	10.00	35.58				
538-39544-3008	39544-3008	F	8	14.40	10.00	40.64				
538-39544-3009	39544-3009	F	9	14.40	10.00	45.72				
538-39544-3010	39544-3010	F	10	14.40	10.00	50.80				

DIMENSIONS: mm

A

3.5mm Pitch

B

5.0mm Pitch

C

D

E

F

5.08mm Pitch

Terminal Blocks

Molex

MOLEX Eurostyle Terminal Blocks

RoHS Compliant This product is RoHS compliant.

5.0MM EUROSTYLE ESE PLUGGABLE TERMINAL BLOCKS

Features:

- Insulator: Polyamide UL94V-0, Black
- Contact plating: Tin
- Current: 15Amps 300Volts
- Wire Range: 12-26AWG
- Operating Temperature: -40°C to +105°F
- Termination: Screw rising cage clamp

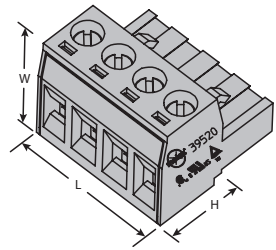


RoHS Compliant

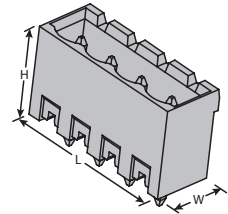
For quantities greater than listed, call for quote.

MOUSER STOCK NO.	Molex Part No.	Fig.	No. of Circuits	Dimensions: mm			Price Each			
				H	W	L	1	25	50	100
Pluggable Terminal Blocks - Horizontal										
538-39520-0002	39520-0002	A	2	9.90	15.00	10.00				
538-39520-0003	39520-0003	A	3	9.90	15.00	15.00				
538-39520-0004	39520-0004	A	4	9.90	15.00	20.00				
538-39520-0005	39520-0005	A	5	9.90	15.00	25.00				
538-39520-0006	39520-0006	A	6	9.90	15.00	30.00				
538-39520-0007	39520-0007	A	7	9.90	15.00	35.00				
538-39520-0008	39520-0008	A	8	9.90	15.00	40.00				
538-39520-0009	39520-0009	A	9	9.90	15.00	45.00				
538-39520-0010	39520-0010	A	10	9.90	15.00	50.00				
538-39520-0012	39520-0012	A	12	9.90	15.00	60.00				
PCB Headers - Vertical - Closed Ends										
538-39521-1002	39521-1002	B	2	12.00	8.30	12.00				
538-39521-1003	39521-1003	B	3	12.00	8.30	17.00				
538-39521-1004	39521-1004	B	4	12.00	8.30	22.00				
538-39521-1005	39521-1005	B	5	12.00	8.30	27.00				
538-39521-1006	39521-1006	B	6	12.00	8.30	32.00				
538-39521-1007	39521-1007	B	7	12.00	8.30	37.00				
538-39521-1008	39521-1008	B	8	12.00	8.30	42.00				
538-39521-1009	39521-1009	B	9	12.00	8.30	47.00				
538-39521-1010	39521-1010	B	10	12.00	8.30	52.00				
538-39521-1012	39521-1012	B	12	12.00	8.30	62.00				
PCB Headers - Horizontal - Closed Ends										
538-39522-1002	39522-1002	C	2	8.30	12.00	12.00				
538-39522-1003	39522-1003	C	3	8.30	12.00	17.00				
538-39522-1004	39522-1004	C	4	8.30	12.00	22.00				
538-39522-1005	39522-1005	C	5	8.30	12.00	27.00				
538-39522-1006	39522-1006	C	6	8.30	12.00	32.00				
538-39522-1007	39522-1007	C	7	8.30	12.00	37.00				
538-39522-1008	39522-1008	C	8	8.30	12.00	42.00				
538-39522-1009	39522-1009	C	9	8.30	12.00	47.00				
538-39522-1010	39522-1010	C	10	8.30	12.00	52.00				
538-39522-1012	39522-1012	C	12	8.30	12.00	62.00				

A



B



5.08MM EUROSTYLE ESE PLUGGABLE TERMINAL BLOCKS

Features:

- Insulator: Polyamide UL94V-0, Black
- Contact plating: Tin
- Current: 15Amps 300Volts
- Wire Range: 12-26AWG
- Operating Temperature: -40°C to +105°F
- Termination: Screw rising cage clamp
- Polarization
- Pitch: 5.08mm
- RoHS compliant per Molex documentation

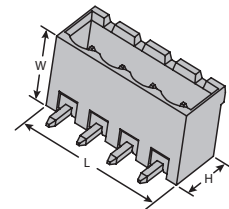


RoHS Compliant

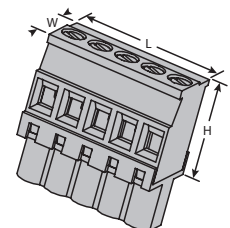
For quantities greater than listed, call for quote.

MOUSER STOCK NO.	Molex Part No.	Fig.	No. of Circuits	Dimensions: mm			Price Each			
				H	W	L	1	25	50	100
Pluggable Terminal Blocks - Vertical										
538-39533-2002	39533-2002	D	2	17.60	12.70	10.16				
538-39533-2003	39533-2003	D	3	17.60	12.70	15.24				
538-39533-2004	39533-2004	D	4	17.60	12.70	20.32				
538-39533-2005	39533-2005	D	5	17.60	12.70	25.40				
538-39533-2006	39533-2006	D	6	17.60	12.70	30.48				
538-39533-2008	39533-2008	D	8	17.60	12.70	40.64				
538-39533-2010	39533-2010	D	10	17.60	12.70	50.80				
Pluggable Terminal Blocks - Horizontal										
538-39530-0002	39530-0002	A	2	9.90	15.00	10.16				
538-39530-0003	39530-0003	A	3	9.90	15.00	15.24				
538-39530-0004	39530-0004	A	4	9.90	15.00	20.32				
538-39530-0005	39530-0005	A	5	9.90	15.00	25.40				
538-39530-0006	39530-0006	A	6	9.90	15.00	30.48				
538-39530-0008	39530-0008	A	8	9.90	15.00	40.64				
538-39530-0010	39530-0010	A	10	9.90	15.00	50.80				
538-39530-0012	39530-0012	A	12	9.90	15.00	60.96				
PCB Headers - Vertical - Closed Ends										
538-39531-1002	39531-1002	B	2	12.00	8.30	12.16				
538-39531-1003	39531-1003	B	3	12.00	8.30	17.24				
538-39531-1004	39531-1004	B	4	12.00	8.30	22.32				
538-39531-1005	39531-1005	B	5	12.00	8.30	27.40				
538-39531-1006	39531-1006	B	6	12.00	8.30	32.48				
538-39531-1008	39531-1008	B	8	12.00	8.30	42.64				
538-39531-1010	39531-1010	B	10	12.00	8.30	52.80				
538-39531-1012	39531-1012	B	12	12.00	8.30	62.96				
PCB Header - Horizontal - Closed Ends										
538-39532-1002	39532-1002	C	2	8.30	12.00	12.16				
538-39532-1003	39532-1003	C	3	8.30	12.00	17.24				
538-39532-1004	39532-1004	C	4	8.30	12.00	22.32				
538-39532-1005	39532-1005	C	5	8.30	12.00	27.40				
538-39532-1006	39532-1006	C	6	8.30	12.00	32.48				
538-39532-1008	39532-1008	C	8	8.30	12.00	42.64				
538-39532-1010	39532-1010	C	10	8.30	12.00	52.80				
538-39532-1012	39532-1012	C	12	8.30	12.00	62.96				

C



D



Terminal Blocks

Molex

MOLEX Eurostyle Terminal Blocks

molex
one company > a world of innovation

RoHS Compliant This product is RoHS compliant.

4.0MM POSITIVE LOCK PLUGGABLE TERMINAL BLOCKS

Features:

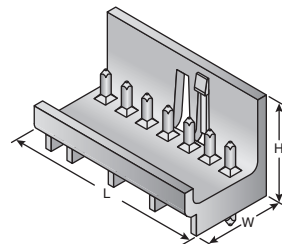
- 4.0mm pitch
- Polarization with audible indication
- Low profile design
- 300V - 10A max.
- Positive locking
- 12-24AWG
- UL 94V-0
- Operating Temperature: -40°C to +140°C



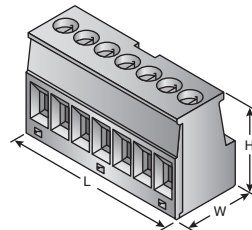
RoHS Compliant

For quantities greater than listed, call for quote.

MOUSER STOCK NO.	Molex Part No.	Fig.	No. of Positions	Dimensions: mm			Price Each			
				L	W	H	1	25	50	100
Headers										
538-39485-0002	39485-0002	A	2	9.03	15.72	16.71				
538-39485-0003	39485-0003	A	3	13.03	15.72	16.71				
538-39485-0004	39485-0004	A	4	17.03	15.72	16.71				
538-39485-0005	39485-0005	A	5	21.03	15.72	16.71				
538-39485-0006	39485-0006	A	6	25.03	15.72	16.71				
538-39485-0007	39485-0007	A	7	29.03	15.72	16.71				
538-39485-0008	39485-0008	A	8	33.03	15.72	16.71				
538-39485-0009	39485-0009	A	9	37.03	15.72	16.71				
538-39485-0010	39485-0010	A	10	41.03	15.72	16.71				
538-39485-0011	39485-0011	A	11	45.03	15.72	16.71				
538-39485-0012	39485-0012	A	12	49.03	15.72	16.71				
Plugs										
538-39484-0002	39484-0002	B	2	8.92	11.53	16.91				
538-39484-0003	39484-0003	B	3	12.9	11.53	16.91				
538-39484-0004	39484-0004	B	4	16.92	11.53	16.91				
538-39484-0005	39484-0005	B	5	20.9	11.53	16.91				
538-39484-0006	39484-0006	B	6	24.92	11.53	16.91				
538-39484-0007	39484-0007	B	7	28.91	11.53	16.91				
538-39484-0008	39484-0008	B	8	32.92	11.53	16.91				
538-39484-0009	39484-0009	B	9	36.91	11.53	16.91				
538-39484-0010	39484-0010	B	10	40.92	11.53	16.91				
538-39484-0011	39484-0011	B	11	44.91	11.53	16.91				
538-39484-0012	39484-0012	B	12	48.92	11.53	16.91				



B



TWO-SCREW TERMINAL STRIPS

Features:

- Modular design
- Recessed contacts and screws
- Wire protectors
- Panel Mount

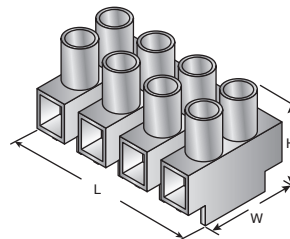


RoHS Compliant

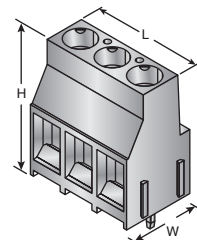
For quantities greater than listed, call for quote.

MOUSER STOCK NO.	Molex Part No.	Fig.	No. of Positions	Dimensions: mm			Price Each			
				L	W	H	1	25	50	100
8.0mm - 300V - 20A - 12-22AWG										
538-39100-0802	39100-0802	C	2	13.46	18.20	17.30				
538-39100-0803	39100-0803	C	3	21.46	18.20	17.30				
538-39100-0804	39100-0804	C	4	29.46	18.20	17.30				
538-39100-0805	39100-0805	C	5	37.47	18.20	17.30				
538-39100-0806	39100-0806	C	6	45.47	18.20	17.30				
538-39100-0808	39100-0808	C	8	61.47	18.20	17.30				
538-39100-0810	39100-0810	C	10	77.47	18.20	17.30				
538-39100-0812	39100-0812	C	12	93.47	18.20	17.30				
10.0mm - 300V - 30A - 10-18AWG										
538-39100-1002	39100-1002	C	2	17.00	18.80	19.20				
538-39100-1003	39100-1003	C	3	27.00	18.80	19.20				
538-39100-1004	39100-1004	C	4	37.00	18.80	19.20				
538-39100-1005	39100-1005	C	5	47.00	18.80	19.20				
538-39100-1006	39100-1006	C	6	57.00	18.80	19.20				
538-39100-1008	39100-1008	C	8	77.00	18.80	19.20				
538-39100-1010	39100-1010	C	10	97.00	18.80	19.20				
538-39100-1012	39100-1012	C	12	117.00	18.80	19.20				
12.0mm - 600V - 40A - 8-20AWG										
538-39100-1202	39100-1202	C	2	20.00	23.20	21.20				
538-39100-1203	39100-1203	C	3	32.00	23.20	21.20				
538-39100-1204	39100-1204	C	4	44.00	23.20	21.20				
538-39100-1206	39100-1206	C	6	68.00	23.20	21.20				
538-39100-1208	39100-1208	C	8	92.00	23.20	21.20				
538-39100-1210	39100-1210	C	10	116.00	23.20	21.20				
538-39100-1212	39100-1212	C	12	140.00	23.20	21.20				
15.0mm - 600V - 63A - 6-14AWG										
538-39100-1502	39100-1502	C	2	25.00	28.00	26.50				
538-39100-1503	39100-1503	C	3	40.00	28.00	26.50				
538-39100-1506	39100-1506	C	6	85.00	28.00	26.50				

C



D



HIGH POWER FIXED TERMINAL BLOCKS

Features:

- Dovetail ability
- Rising cage clamp
- UL 94V-0
- Operating Temperature: -40°C to +105°C

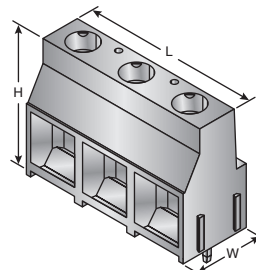


RoHS Compliant

For quantities greater than listed, call for quote.

MOUSER STOCK NO.	Molex Part No.	Fig.	No. of Positions	Dimensions: mm			Price Each			
				L	W	H	1	25	50	100
6.35MM - 300V - 30A - 10-30AWG										
538-39380-0102	39380-0102	D	2	12.70	12.50	21.50				
538-39380-0103	39380-0103	D	3	19.05	12.50	21.50				
9.52MM - 600V - 30A - 10-30AWG										
538-39390-0102	39390-0102	E	2	19.10	12.50	21.50				
538-39390-0103	39390-0103	E	3	28.60	12.50	21.50				

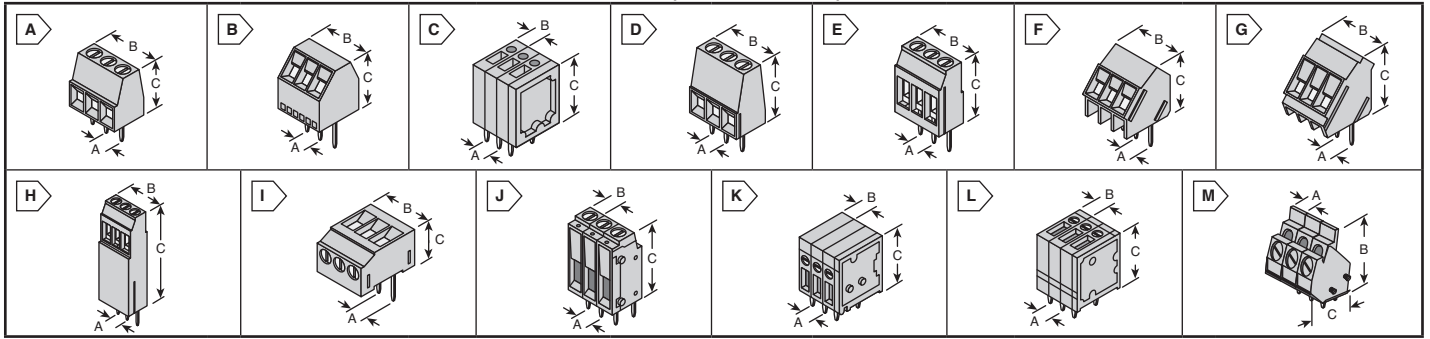
E



PHOENIX CONTACT Terminal Blocks



RoHS Compliant This product is RoHS compliant.



ONE PIECE DESIGN W/ SCREW CLAMP TERMINATION

Single Level, Through-Hole Solder Mounting

• RoHS Compliant per Phoenix documentation For quantities greater than listed, call for quote.

MOUSER STOCK NO.		Fig.	Phoenix Type	Pos.	Dimensions: mm			Price Each		
Mfr.	Mfr. Part No.				A	B	C	1	10	50
2.54mm PCB Terminal Blocks - 90° Wire-to-Pin Orientation, UL: 125V @ 6A, 30-20AWG, Green Color										
651-1725666	651-1725669	651-1725672	651-1725685	651-1725698	651-1725708	651-1725711	651-1725724	651-1725737	651-1725740	651-1725753
3.5mm PCB Terminal Blocks - 90° Wire-to-Pin Orientation, UL: 300V @ 10A, 30-16AWG, Green Color										
651-1751248	651-1751251	651-1751264	651-1751277	651-1751280	651-1751293	651-1751303	651-1751316	651-1751329	651-1751332	651-1751345
3.5mm PCB Terminal Blocks - 55° Wire-to-Pin Orientation, UL: 300V @ 10A, 30-16AWG, Green Color										
651-1751099	651-1751109	651-1751112	651-1751154							
3.81mm PCB Terminal Blocks - 90° Wire-to-Pin Orientation, UL: 300V @ 10A, 30-16AWG, Green Color										
651-1727010	651-1727023	651-1727036	651-1727049	651-1727052	651-1727065	651-1727078	651-1727081	651-1727094	651-1727117	
3.81mm PCB Terminal Blocks - 55° Wire-to-Pin Orientation, UL: 300V @ 10A, 30-16AWG, Green Color										
651-1728284	651-1728297	651-1728307	651-1728323	651-1728349	651-1728352	651-1728365	651-1728378	651-1728381		
3.81mm PCB Single Terminal Blocks - Vertical Wire to Pin Orientation, Front Connection, UL: 300V @ 10A, 28-14AWG, Green Color										
651-1707742	651-1707755									
5mm PCB Reduced Height Terminal Blocks - 90° Wire-to-Pin Orientation, UL: 300V @ 10A, 30-14AWG, Green Color										
651-1729018	651-1729021	651-1729034	651-1729047	651-1729050	651-1729063	651-1729076	651-1729089			

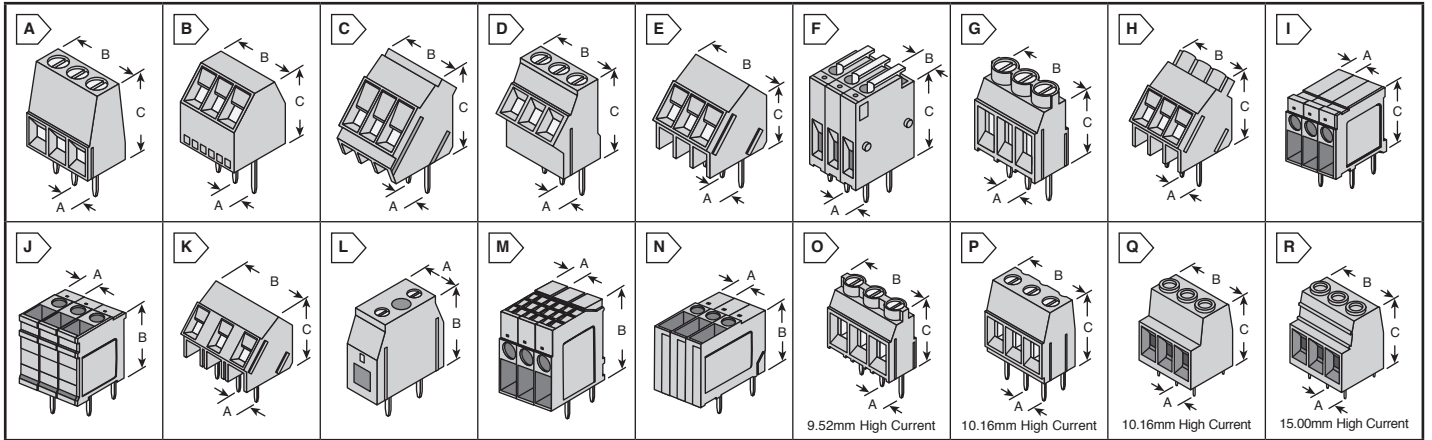
Single Level, Through-Hole Solder Mounting (Cont.)

• RoHS Compliant per Phoenix documentation For quantities greater than listed, call for quote.

MOUSER STOCK NO.		Fig.	Phoenix Type	Pos.	Dimensions: mm			Price Each		
Mfr.	Mfr. Part No.				A	B	C	1	10	50
5mm PCB Reduced Height Terminal Blocks - 90° Wire-to-Pin Orientation, UL: 300V @ 10A, 30-14AWG, Green Color (Cont.)										
651-1729092	651-1729115									
5mm PCB Reduced Height Terminal Blocks - 55° Wire-to-Pin Orientation, UL: 300V @ 10A, 30-14AWG, Green Color										
651-1869062	651-1869075	651-1869088	651-1869091	651-1869101	651-1869114	651-1869127	651-1869143			
5mm PCB Terminal Blocks - 90° Wire-to-Pin Orientation, UL: 300V @ 10A, 30-14AWG, Green Color										
651-1715022	651-1715035	651-1715048	651-1715080	651-1715129						
5mm PCB Reduced Height Terminal Blocks - 90° Wire-to-Pin Orientation, UL: 300V @ 10A, 30-12AWG, Green Color										
651-1890963	651-1890976	651-1890989								
5mm PCB Terminal Blocks - 90° Wire-to-Pin Orientation, UL: 300V @ 10A, 30-12AWG, Green Color										
651-1711026	651-1711039	651-1711042	651-1711084	651-1711123						
5mm PCB Terminal Blocks - 35° Wire-to-Pin Orientation with Test Connection, UL: 300V @ 10A, 30-14AWG, Green Color										
651-1733415	651-1733428	651-1733431	651-1733444	651-1733457	651-1733473					
5mm PCB Terminal Blocks - 35° Wire-to-Pin Orientation, UL: 300V @ 10A, 30-14AWG, Green Color										
651-1713024	651-1713037									
5mm PCB Terminal Blocks - 90° Wire-to-Pin Orientation, Tall Design, UL: 300V @ 15A, 30-12AWG, Green Color										
651-1721045	651-1721346									
5mm PCB Terminal Blocks - Vertical Wire-to-Pin Orientation, UL: 300V @ 10A, 30-14AWG, Green Color										
651-1717091	651-1717088									
5mm PCB Single Terminal Blocks - 90° Wire-to-Pin Orientation, UL: 300V @ 15A, 30-12AWG, Green Color										
651-1705016										
5mm PCB Single Terminal Blocks - 90° Wire to Pin Orientation, Front Connection, UL: 300V @ 10A, 30-12AWG, Green Color										
651-1700008	651-1700040	651-1700024								
5mm PCB Single Terminal Blocks - Vertical Wire to Pin Orientation, Front Connection, UL: 300V @ 10A, 30-12AWG, Green Color										
651-1700037	651-1700053	651-1700011								
5mm PCB Single Terminal Blocks - Panel Feed-Through, UL: 300V @ 10A, 30-14AWG, Green Color										
651-1740000										

Terminal Blocks Phoenix Contact

PHOENIX CONTACT Terminal Blocks



ONE PIECE DESIGN WITH SCREW CLAMP TERMINATION

Single Level, Through-Hole Solder Mounting

For quantities greater than listed, call for quote.

* RoHS compliant per Phoenix documentation



RoHS Compliant

MOUSER STOCK NO.		Fig.	Phoenix Type	Pos.	Dimensions: mm			Price Each		
Mfr	Mfr. Part No.				A	B	C	1	10	50
5.08mm PCB Reduced Height Terminal Blocks - 90° Wire-to-Pin Orientation										
UL: 300V @ 10A, 30-14AWG, Green Color										
651-1729128	A	MKDSN 1.5/2-5.08	2	5.08	10.16	10				
651-1729131	A	MKDSN 1.5/3-5.08	3	5.08	15.24	10				
651-1729144	A	MKDSN 1.5/4-5.08	4	5.08	20.32	10				
651-1729157	A	MKDSN 1.5/5-5.08	5	5.08	25.4	10				
651-1729160	A	MKDSN 1.5/6-5.08	6	5.08	30.48	10				
651-1729173	A	MKDSN 1.5/7-5.08	7	5.08	35.56	10				
651-1729186	A	MKDSN 1.5/8-5.08	8	5.08	40.64	10				
651-1729199	A	MKDSN 1.5/9-5.08	9	5.08	45.72	10				
651-1729209	A	MKDSN 1.5/10-5.08	10	5.08	50.8	10				
651-1729212	A	MKDSN 1.5/11-5.08	11	5.08	55.88	10				
651-1729225	A	MKDSN 1.5/12-5.08	12	5.08	60.96	10				
5.08mm PCB Reduced Height Terminal Blocks - 145° Wire-to-Pin Orientation										
UL: 300V @ 10A, 30-14AWG, Green Color										
651-1869211	B	SMKDSN 1.5/2-5.08	2	5.08	11.16	11				
651-1869224	B	SMKDSN 1.5/3-5.08	3	5.08	16.24	11				
651-1869237	B	SMKDSN 1.5/4-5.08	4	5.08	21.32	11				
651-1869240	B	SMKDSN 1.5/5-5.08	5	5.08	26.4	11				
651-1869253	B	SMKDSN 1.5/6-5.08	6	5.08	31.48	11				
651-1869266	B	SMKDSN 1.5/7-5.08	7	5.08	36.56	11				
651-1869279	B	SMKDSN 1.5/8-5.08	8	5.08	41.64	11				
651-1869282	B	SMKDSN 1.5/9-5.08	9	5.08	46.72	11				
651-1869295	B	SMKDSN 1.5/10-5.08	10	5.08	51.8	11				
5.08mm PCB Terminal Blocks - 90° Wire-to-Pin Orientation										
UL: 300V @ 10A, 30-14AWG, Green Color										
651-1715721	A	MKDS 1.5/2-5.08	2	5.08	10.16	13.8				
651-1715734	A	MKDS 1.5/3-5.08	3	5.08	15.24	13.8				
651-1715747	A	MKDS 1.5/4-5.08	4	5.08	20.32	13.8				
651-1715789	A	MKDS 1.5/8-5.08	8	5.08	40.64	13.8				
651-1715802	A	MKDS 1.5/10-5.08	10	5.08	50.8	13.8				
651-1715828	A	MKDS 1.5/12-5.08	12	5.08	60.96	13.8				
5.08mm PCB Reduced Height Terminal Blocks - 90° Wire-to-Pin Orientation										
UL: 300V @ 10A, 30-12AWG, Green Color										
651-1888687	A	MKDSN 2.5/2-5.08	2	5.08	10.16	15				
651-1888690	A	MKDSN 2.5/3-5.08	3	5.08	15.24	15				
651-1888700	A	MKDSN 2.5/4-5.08	4	5.08	20.32	15				
5.08mm PCB Terminal Blocks - 90° Wire-to-Pin Orientation										
UL: 300V @ 10A, 30-12AWG, Green Color										
651-1711725	A	MKDS 3/2-5.08	2	5.08	10.16	18				
651-1711738	A	MKDS 3/3-5.08	3	5.08	15.24	18				
5.08mm PCB Terminal Blocks - 35° Wire-to-Pin Orientation										
UL: 300V @ 10A, 30-14AWG, Green Color										
651-1713723	C	SMKDS 3/2-5.08	2	5.08	10.16	18				
651-1713736	C	SMKDS 3/3-5.08	3	5.08	15.24	18				
5.08mm PCB Terminal Blocks - 40° Wire-to-Pin Orientation										
UL: 300V @ 10A, 30-14AWG, Green Color										
651-1705469	D	SMKDS 2.5/2-5.08	2	5.08	10.16	19.4				
651-1705472	D	SMKDS 2.5/3-5.08	3	5.08	15.24	19.4				
5.08mm PCB Terminal Blocks - 35° Wire-to-Pin Orientation with Test Connection										
UL: 300V @ 10A, 30-14AWG, Green Color										
651-1733570	E	SMKDSP 1.5/2-5.08	2	5.08	10.16	15.3				
651-1733583	E	SMKDSP 1.5/3-5.08	3	5.08	15.24	15.3				
651-1733596	E	SMKDSP 1.5/4-5.08	4	5.08	20.32	15.3				
651-1733606	E	SMKDSP 1.5/5-5.08	5	5.08	25.4	15.3				
651-1733619	E	SMKDSP 1.5/6-5.08	6	5.08	30.48	15.3				
651-1733622	E	SMKDSP 1.5/7-5.08	7	5.08	35.56	15.3				
651-1733635	E	SMKDSP 1.5/8-5.08	8	5.08	40.64	15.3				
651-1733651	E	SMKDSP 1.5/10-5.08	10	5.08	50.8	15.3				
5.08mm PCB Terminal Blocks - 90° Wire-to-Pin Orientation, Knife Disconnect										
UL: 300V @ 15A, 28-12AWG, Green Color										
651-1780015	F	KDS 3-MT	1	5.08	5.08	24.8				

© Copyright 2014 Mouser Electronics

© Copyright 2014 Mouser Electronics

Single Level, Through-Hole Solder Mounting (Cont.)

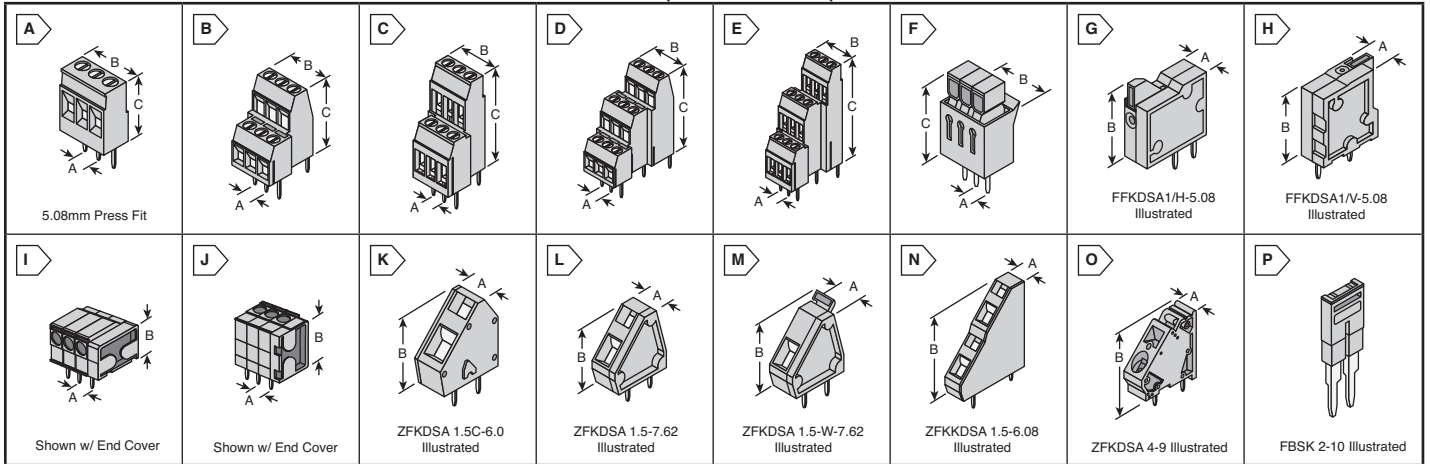
For quantities greater than listed, call for quote.

MOUSER STOCK NO.		Fig.	Phoenix Type	Pos.	Dimensions: mm			Price Each		
Mfr	Mfr. Part No.				A	B	C	1	10	50
6.35mm PCB Reduced Height Terminal Blocks - 90° Wire-to-Pin Orientation										
UL: 150V @ 15A and 300V @ 10A, 30-12AWG, Green Color										
651-1714955	G	MKDS 5/2-6.35	2	6.35	12.69	21.5				
651-1714968	G	MKDS 5/3-6.35	3	6.35	19.04	21.5				
6.35mm PCB Terminal Blocks - 35° Wire-to-Pin Orientation										
UL: 300V @ 30A, 30-10AWG, Green Color										
651-1720033	H	SMKDS 5/2-6.35	2	6.35	12.69	21.5				
651-1720046	H	SMKDS 5/3-6.35	3	6.35	19.05	21.5				
6.35mm PCB Single Terminal Blocks - Front Connection										
UL: 300V @ 30A, 22-10AWG, Green Color										
651-1703050	I	FRONT 4-H-6.35	1	6.35	26	---				
651-1703063	J	FRONT 4-V-6.35	1	6.35	26	---				
651-1703076	-	D-FRONT 4-6.35	-	-	-	-				Required End Cover
7.5mm PCB Terminal Blocks - 90° Wire-to-Pin Orientation										
UL: 300V @ 10A, 30-14AWG, Green Color										
651-1717020	A	GMKDS 1.5/2	2	7.5	15	13.8				
651-1717033	A	GMKDS 1.5/3	3	7.5	22.5	13.8				
7.5mm PCB Terminal Blocks - 35° Wire-to-Pin Orientation										
UL: 300V @ 10A, 30-14AWG, Green Color										
651-1718029	K	GSMKDSP 1.5/2	2	7.5	15	15.3				
651-1718032	K	GSMKDSP 1.5/3	3	7.5	22.5	15.3				
7.5mm PCB Single Terminal Blocks - 90° Wire-to-Pin Orientation, Feed-Through										
UL: 300V @ 30A, 30-10AWG, Green Color										
651-1780507	L	KDS 4	1	7.5	18	---				
7.62mm PCB Terminal Blocks - 90° Wire-to-Pin Orientation										
UL: 300V @ 10A, 30-14AWG, Green Color										
651-1717729	A	GMKDS 1.5/2-7.62	2	7.62	15.24	13.8				
651-1717732	A	GMKDS 1.5/3-7.62	3	7.62	22.86	13.8				
7.62mm PCB Terminal Blocks - 35° Wire-to-Pin Orientation										
UL: 300V @ 10A, 30-14AWG, Green Color										
651-1718728	K	GSMKDSP 1.5/2-7.62	2	7.62	15.24	15.3				
651-1718731	K	GSMKDSP 1.5/3-7.62	3	7.62	22.86	15.3				
7.62mm PCB Single Terminal Blocks - Front Connection										
UL: 300V @ 30A, 24-10AWG, Green Color										
651-1703034	M	FRONT 4-H-7.62	1	7.62	28.4	---				
651-1703021	N	FRONT 4-V-7.62	1	7.62	26	---				
9.52mm PCB Terminal Blocks - 90° Wire-to-Pin Orientation										
UL: 300V @ 30A and 600V @ 5A, 30-12AWG, Green Color										
651-1714971	O	MKDS 5/2-9.52	2	9.52	19.04	21.5				
651-1714984	O	MKDS 5/3-9.52	3	9.52	28.56	21.5				
9.52mm PCB Terminal Blocks - 90° Wire-to-Pin Orientation with Offset Pins										
UL: 600V @ 30A, 30-10AWG, Green Color										
651-1907432	O	MKDS 5 HV/2-9.52-Z	2	9.52	19.04	21.5				
651-1907429	O	MKDS 5 HV/3-9.52-Z	3	9.52	28.56	21.5				
10.16mm PCB Terminal Blocks - 90° Wire-to-Pin Orientation										
UL: 300V @ 57A, 20-6AWG, Green Color										
651-1773976	P	MKDSP 10N/2-10.16	2	10.16	20.32	29.30				
651-1929517	Q	MKDSP 10HV/2-10.16	2	10.16	20.32	30.80				
651-1929520	Q	MKDSP 10HV/3-10.16	3	10.16	30.48	30.80				
15.00mm PCB Terminal Blocks - 90° Wire-to-Pin Orientation										
UL: 600V @ 125A, 20-2AWG, Green Color										
651-1932588	R	MKDSP 25/2-15.00	2	15.00	30.00	39.00				
651-1932591	R	MKDSP 25/3-15.00	3	15.00	45.00	39.00				
651-1932601	R	MKDSP 25/4-15.00	4	15.00	60.00	39.00				
651-1932614	R	MKDSP 25/5-15.00	5	15.00	75.00	39.00				
651-1932627	R	MKDSP 25/6-15.00	6	15.00	90.00	39.00				

© Copyright 2014 Mouser Electronics

PHOENIX CONTACT Terminal Blocks

RoHS Compliant This product is RoHS compliant.



ONE PIECE DESIGN WITH SCREW CLAMP TERMINATION

• RoHS Compliant per Phoenix documentation

Single Level, Press-Fit Mounting

For quantities greater than listed, call for quote.

MOUSER STOCK NO.		Fig.	Phoenix Type	Pos.	Dimensions: mm			Price Each		
Mfr.	Mfr. Part No.				A	B	C	1	10	50
5.08mm Press-Fit PCB Terminal Blocks- 90° Wire-to-Pin Orientation										
UL: 300V @ 10A, 30-12AWG, Green Color										
651-1730612		A	EMKDS 2.5/2-5.08	2	5.08	11.34	18.00			
651-1730638		A	EMKDS 2.5/4-5.08	4	5.08	21.50	18.00			
651-1730641		A	EMKDS 2.5/5-5.08	5	5.08	26.58	18.00			
651-1730654		A	EMKDS 2.5/6-5.08	6	5.08	31.66	18.00			

Multi-Level, Through-Hole Solder Mounting

For quantities greater than listed, call for quote.

3.81mm Double Level PCB Terminal Blocks - 90° Wire-to-Pin Orientation										
UL: 300V @ 10A, 30-16AWG, Green Color										
MOUSER STOCK NO.		Fig.	Phoenix Type	Pos.	Dimensions: mm			Price Each		
Mfr.	Mfr. Part No.				A	B	C	1	10	50
651-1708026		B	MKKDS 1/2-3.81	2	3.81	7.62	16.2			
651-1708039		B	MKKDS 1/3-3.81	3	3.81	11.43	16.2			
651-1708042		B	MKKDS 1/4-3.81	4	3.81	15.24	16.2			
651-1708055		B	MKKDS 1/5-3.81	5	3.81	19.05	16.2			
651-1708068		B	MKKDS 1/6-3.81	6	3.81	22.86	16.2			
651-1708084		B	MKKDS 1/8-3.81	8	3.81	30.48	16.2			
651-1708107		B	MKKDS 1/9-3.81	9	3.81	34.29	16.2			
651-1708110		B	MKKDS 1/10-3.81	10	3.81	38.1	16.2			
651-1708136		B	MKKDS 1/12-3.81	12	3.81	45.72	16.2			
5mm Double Level PCB Terminal Blocks - 90° Wire-to-Pin Orientation										
UL: 300V @ 10A, 30-14AWG, Green Color										
651-1725012		B	MKKDS 1.5/2	2	5	10	25.2			
651-1725025		B	MKKDS 1.5/3	3	5	15	25.2			
UL: 150V @ 15A and 300V @ 10A, 30-12AWG, Green Color										
651-1721029		C	MKKDS 3/2	2	5	10	31.4			
651-1721032		C	MKKDS 3/3	3	5	15	31.4			
5.08mm Double Level PCB Terminal Blocks - 90° Wire-to-Pin Orientation										
UL: 300V @ 10A, 30-14AWG, Green Color										
651-1725038		B	MKKDS 1.5/2-5.08	2	5.08	10.16	25.2			
651-1725041		B	MKKDS 1.5/3-5.08	3	5.08	15.24	25.2			
UL: 150V @ 15A and 300V @ 10A, 30-12AWG, Green Color										
651-1721728		C	MKKDS 3/2-5.08	2	5.08	10.16	31.4			
651-1721731		C	MKKDS 3/3-5.08	3	5.08	15.24	31.4			
5.08mm Triple Level PCB Terminal Blocks - 90° Wire-to-Pin Orientation										
UL: 300V @ 10A, 30-14AWG, Green Color										
651-1724013		D	MK3DS 1.5/2-5.08	2	5.08	10.16	36.6			
651-1724026		D	MK3DS 1.5/3-5.08	3	5.08	15.24	36.6			
UL: 150V @ 15A and 300V @ 10A, 30-12AWG, Green Color										
651-1723014		E	MK3DS 3/2-5.08	2	5.08	10.16	44.8			
651-1723027		E	MK3DS 3/3-5.08	3	5.08	15.24	44.8			

ONE PIECE DESIGN WITH IDC TERMINATION

• RoHS Compliant per Phoenix documentation

Single Level, Through-Hole Solder Mounting

For quantities greater than listed, call for quote.

MOUSER STOCK NO.		Fig.	Phoenix Type	Pos.	Dimensions: mm			Price Each		
Mfr.	Mfr. Part No.				A	B	C	1	10	50
3.81mm Insulation Displacement PCB Terminal Blocks - 90° Wire-to-Pin Orientation										
UL: 300V @ 5A, 28-22AWG, Green Color										
651-1706170		F	IDC 0.3/2-3.81	2	3.81	8.81	14.8			
651-1706183		F	IDC 0.3/3-3.81	3	3.81	12.62	14.8			
651-1706196		F	IDC 0.3/4-3.81	4	3.81	16.43	14.8			
651-1706206		F	IDC 0.3/5-3.81	5	3.81	20.24	14.8			
651-1706219		F	IDC 0.3/6-3.81	6	3.81	24.05	14.8			
651-1706222		F	IDC 0.3/7-3.81	7	3.81	27.86	14.8			
651-1706235		F	IDC 0.3/8-3.81	8	3.81	31.67	14.8			

ONE PIECE DESIGN WITH IDC TERMINATION (CONT.)

• RoHS Compliant per Phoenix documentation

Single Level, Through-Hole Solder Mounting (cont.)

For quantities greater than listed, call for quote.

MOUSER STOCK NO.		Fig.	Phoenix Type	Pos.	Dimensions: mm			Price Each		
Mfr.	Mfr. Part No.				A	B	C	1	10	50
3.81mm Insulation Displacement PCB Terminal Blocks - 90° Wire-to-Pin Orientation										
UL: 300V @ 5A, 28-22AWG, Green Color (cont.)										
651-1706248		F	IDC 0.3/9-3.81	9	3.81	35.48	14.8			
651-1706251		F	IDC 0.3/10-3.81	10	3.81	39.29	14.8			
651-1706277		F	IDC 0.3/12-3.81	12	3.81	46.91	14.8			

ONE PIECE DESIGN WITH SPRING FORCE TERMINATION

• RoHS Compliant per Phoenix documentation

Single Level, Through-Hole Solder Mounting

* Sold only in strips of 10 terminals. These modular strips can be broken apart or extended to any length needed. An end terminal block is required to terminate each row of terminals.

For quantities greater than listed, call for quote.

MOUSER STOCK NO.		Fig.	Phoenix Type	Pos.	Dimensions: mm			Price Each		
Mfr.	Mfr. Part No.				A	B	C	1	10	50
Modular 2.54mm PCB Spring Force Fixed Terminal Block - 90° Wire-to-Pin Orientation										
UL: 150V @ 6A, 26-20AWG, Green Color										
* 651-1791826		G	FFKDS/H-2.54	1	2.54	12.6	-			
End Terminal Block for FFKDS/H-2.54										
651-1791868		G	FFKDSA1/H-5.08	1	5.08	12.6				
Modular 2.54mm PCB Spring Force Fixed Terminal Block - 180° Wire-to-Pin Orientation										
* 651-1791813		H	FFKDS/V-2.54	1	2.54	13.6	-			
Modular 3.81mm PCB Spring Force Terminal Block										
UL: 300V @ 6A, 26-16AWG, Green Color										
651-1789650		I	FFKDS/H-3.81	1	3.81	12.7				
651-1789634		-	FFKDSA1/H-6.35			Required End Cover				
651-1789647		J	FFKDS/V-3.81	1	3.81	13.6				
651-1789621		-	FFKDSA1/V-6.35			Required End Cover				
Modular 5mm PCB Spring Force Fixed - Single Level w/o Lever - 135° Wire-to-Pin										
UL: 300V @ 10A, 26-12AWG, Green Color										
* 651-1889259		K	ZFKDS 1.5C-5.0	1	5	12.75	-			
End Terminal Block for ZFKDS 1.5C-5.0										
651-1889262		K	ZFKDSA 1.5C-6.0	1	6	12.75				
Modular 5.08mm PCB Spring Force Fixed - Single Level without Lever - 135° Wire-to-Pin										
* 651-1706701		L	ZFKDS 1.5-5.08	1	5.08	14.2	-			
End Terminal Block for ZFKDS 1.5-5.08										
651-1706727		L	ZFKDSA 1.5-7.62	1	7.62	14.2				
Modular 5.08mm PCB Spring Force Fixed - Single Level with Lever - 135° Wire-to-Pin										
* 651-1706714		M	ZFKDS 1.5-W-5.08	1	5.08	16	-			
End Terminal Block for ZFKDS 1.5-W-5.08										
651-1706730		M	ZFKDSA 1.5-W-7.62	1	7.62	16				
Modular 5.08mm PCB Spring Force Terminal Block										
UL: 300V @ 10A, 22-16AWG, Green Color										
651-1790335		I	FFKDS/H1-5.08	1	5.08	12.7				
651-1790513		-	FFKDSA1/H1-7.62			Required End Cover				
Modular 5.08mm PCB Spring Force Fixed - Double Level without Lever - 135° Wire-to-Pin										
UL: 300V @ 10A, 26-12AWG, Green Color										
* 651-1704402		N	ZFKKDS 1.5-5.08	1	5.08	25.5	-			
End Terminal Block for ZFKKDS 1.5-5.08										
651-1704567		N	ZFKKDSA 1.5-6.08	1	6.08	25.5				
Modular 10mm PCB Spring Force Fixed Terminal Block - 135° Wire-to-Pin Orientation										
600V @ 30A, 24-10AWG, Green Color										
651-1907539		O	ZFKDS 4-10	1	10	23				
End Terminal Block for ZFKDS 4-10										
651-1907542		O	ZFKDSA 4-9	1	10	23				
Jumping Bridge for ZFKDS 4-10, Fully Insulated										
651-1928398		P	FBSK 2-10	2	-	-	-			
651-1928411		P	FBSK 4-10	4	-	-	-			

PHOENIX CONTACT PCB Terminal Blocks



RoHS Compliant This product is RoHS compliant.

5.0MM PIN-STRIP PLUGS WITH RISING CAGE

- Rising-cage screw termination
- Mono-block design
- Mates with standard pin strip headers
- Wide insertion funnel for blind mating (PT Clip)
- 26 - 12AWG
- Centerline: 5.0mm
- Current rating: 10A
- Voltage rating: 250V



For quantities greater than listed, call for quote.

MOUSER STOCK NO.	Mfr.	Mfr. Part No.	Fig.	Phoenix Type	Pos.	Length (mm)	Price Each			
							1	50	100	250
Standard Version										
651-1755583			A	PT 1,5/ 2-PH-5,0	2	10				
651-1755596			A	PT 1,5/ 3-PH-5,0	3	15				
651-1755606			A	PT 1,5/ 4-PH-5,0	4	20				
651-1755619			A	PT 1,5/ 5-PH-5,0	5	25				
651-1755622			A	PT 1,5/ 6-PH-5,0	6	30				
651-1755635			A	PT 1,5/ 7-PH-5,0	7	35				
651-1755648			A	PT 1,5/ 8-PH-5,0	8	40				
651-1755651			A	PT 1,5/ 9-PH-5,0	9	45				
651-1755664			A	PT 1,5/10-PH-5,0	10	50				
651-1755677			A	PT 1,5/11-PH-5,0	11	55				
651-1755680			A	PT 1,5/12-PH-5,0	12	60				
651-1755693			A	PT 1,5/13-PH-5,0	13	65				
651-1755703			A	PT 1,5/14-PH-5,0	14	70				
651-1755716			A	PT 1,5/15-PH-5,0	15	75				
651-1755729			A	PT 1,5/16-PH-5,0	16	80				

PT Clip Version - Industry Standard Footprint with Retention Fingers

MOUSER STOCK NO.	Mfr.	Mfr. Part No.	Fig.	Phoenix Type	Pos.	Length (mm)	Price Each			
							1	50	100	250
651-1755732			B	PT 1,5/2-PH5,0 CLIP	2	10				
651-1755745			B	PT 1,5/3-PH5,0 CLIP	3	15				
651-1755758			B	PT 1,5/4-PH5,0 CLIP	4	20				
651-1755761			B	PT 1,5/5-PH5,0 CLIP	5	25				
651-1755774			B	PT 1,5/6-PH5,0 CLIP	6	30				
651-1755787			B	PT 1,5/7-PH5,0 CLIP	7	35				
651-1755790			B	PT 1,5/8-PH5,0 CLIP	8	40				
651-1755800			B	PT 1,5/9-PH5,0 CLIP	9	45				
651-1755813			B	PT 1,5/10-PH5,0 CLIP	10	50				
651-1755826			B	PT 1,5/11-PH5,0 CLIP	11	55				
651-1755839			B	PT 1,5/12-PH5,0 CLIP	12	60				
651-1755842			B	PT 1,5/13-PH5,0 CLIP	13	65				
651-1755855			B	PT 1,5/14-PH5,0 CLIP	14	70				
651-1755868			B	PT 1,5/15-PH5,0 CLIP	15	75				
651-1755871			B	PT 1,5/16-PH5,0 CLIP	16	80				

5.0MM PLUGGABLE-SCREW TERMINAL BLOCKS WITH WIRE PROTECTION

- RoHS compliant per Phoenix documentation
- Plug can mount horizontally or vertically
- End to end stackable with dove tail design
- Clamping screws have combination screw head
- Insulation Material: Polyamide - UL94V-0
- Terminal Block Color: Green
- Max Voltage: 300V
- Max Current: 10A
- Wire Size: 26-12AWG



For quantities greater than listed, call for quote.

MOUSER STOCK NO.	Mfr.	Mfr. Part No.	Fig.	Phoenix Type	Pos.	Length (mm)	Price Each			
							1	50	100	250
Terminal Block Plugs - Green										
651-1934861			C	PT 1.5/2-PVH-5.0	2	10				
651-1934874			C	PT 1.5/3-PVH-5.0	3	15				
651-1934887			C	PT 1.5/4-PVH-5.0	4	20				
651-1934890			C	PT 1.5/5-PVH-5.0	5	25				
651-1934900			C	PT 1.5/6-PVH-5.0	6	30				
651-1934913			C	PT 1.5/7-PVH-5.0	7	35				
651-1934926			C	PT 1.5/8-PVH-5.0	8	40				
651-1934939			C	PT 1.5/9-PVH-5.0	9	45				
651-1934942			C	PT 1.5/10-PVH-5.0	10	50				
651-1934955			C	PT 1.5/11-PVH-5.0	11	55				
651-1934968			C	PT 1.5/12-PVH-5.0	12	60				
651-1934971			C	PT 1.5/13-PVH-5.0	13	65				
651-1934984			C	PT 1.5/14-PVH-5.0	14	70				
651-1934997			C	PT 1.5/15-PVH-5.0	15	75				
651-1935006			C	PT 1.5/16-PVH-5.0	16	80				

(THR) High-Temp. Pin Strip Headers (Reflow Compatible) - Black - Solder Tail Length: 3.5mm

MOUSER STOCK NO.	Mfr.	Mfr. Part No.	Fig.	Phoenix Type	Pos.	Length (mm)	Price Each			
							1	50	100	250
651-1933189			D	PST 1.3/2-5.0	2	10				
651-1933192			D	PST 1.3/3-5.0	3	15				
651-1933202			D	PST 1.3/4-5.0	4	20				
651-1933215			D	PST 1.3/5-5.0	5	25				
651-1933228			D	PST 1.3/6-5.0	6	30				
651-1933231			D	PST 1.3/7-5.0	7	35				
651-1933244			D	PST 1.3/8-5.0	8	40				
651-1933257			D	PST 1.3/9-5.0	9	45				
651-1933260			D	PST 1.3/10-5.0	10	50				
651-1933273			D	PST 1.3/11-5.0	11	55				
651-1933286			D	PST 1.3/12-5.0	12	60				
651-1933299			D	PST 1.3/13-5.0	13	65				
651-1933309			D	PST 1.3/14-5.0	14	70				
651-1933312			D	PST 1.3/15-5.0	15	75				
651-1933325			D	PST 1.3/16-5.0	16	80				

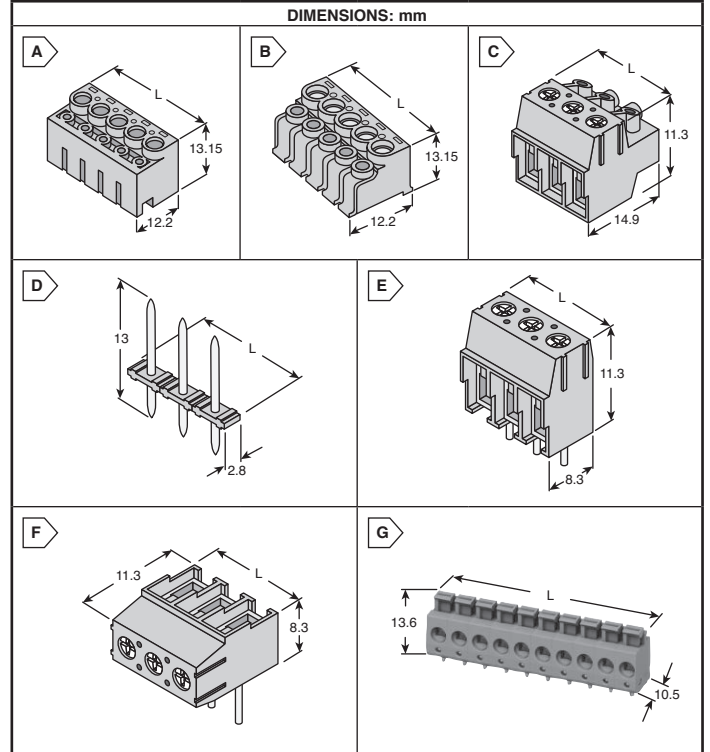
5.0MM FIXED-SCREW TERMINAL BLOCKS WITH WIRE PROTECTION

- RoHS compliant per Phoenix documentation
- Color: Green
- End to end stackable with dove tail design
- Clamping screws have combination screw head
- Insulation Material: Polyamide - UL94V-0
- Max Voltage: 300V
- Max Current: 10A
- Wire Size: 26-12AWG
- Lead Length: 3.5mm



For quantities greater than listed, call for quote.

MOUSER STOCK NO.	Mfr.	Mfr. Part No.	Fig.	Phoenix Type	Pos.	Length (mm)	Price Each			
							1	50	100	250
Horizontal Mounting										
651-1935161			E	PT 1.5/2-5.0-H	2	10				
651-1935174			E	PT 1.5/3-5.0-H	3	15				
651-1935187			E	PT 1.5/4-5.0-H	4	20				
651-1935190			E	PT 1.5/5-5.0-H	5	25				
651-1935200			E	PT 1.5/6-5.0-H	6	30				
651-1935213			E	PT 1.5/7-5.0-H	7	35				
651-1935226			E	PT 1.5/8-5.0-H	8	40				



5.0MM FIXED-SCREW TERMINAL BLOCKS WITH WIRE PROTECTION (CONT.)

MOUSER STOCK NO.	Mfr.	Mfr. Part No.	Fig.	Phoenix Type	Pos.	Length (mm)	Price Each			
							1	50	100	250
Horizontal Mounting										
651-1935239			E	PT 1.5/9-5.0-H	9	45				
651-1935242			E	PT 1.5/10-5.0-H	10	50				
651-1935268			E	PT 1.5/12-5.0-H	12	60				
651-1935271			E	PT 1.5/13-5.0-H	13	65				
651-1935284			E	PT 1.5/14-5.0-H	14	70				
651-1935297			E	PT 1.5/15-5.0-H	15	75				
651-1935307			E	PT 1.5/16-5.0-H	16	80				
Vertical Mounting										
651-1935310			F	PT 1.5/2-5.0-V	2	10				
651-1935323			F	PT 1.5/3-5.0-V	3	15				
651-1935336			F	PT 1.5/4-5.0-V	4	20				
651-1935349			F	PT 1.5/5-5.0-V	5	25				
651-1935352			F	PT 1.5/6-5.0-V	6	30				
651-1935365			F	PT 1.5/7-5.0-V	7	35				
651-1935378			F	PT 1.5/8-5.0-V	8	40				
651-1935381			F	PT 1.5/9-5.0-V	9	45				
651-1935394			F	PT 1.5/10-5.0-V	10	50				
651-1935433			F	PT 1.5/14-5.0-V	14	70				
651-1935459			F	PT 1.5/16-5.0-V	16	80				

PTS PCB 5.0MM & 7.5MM TERMINAL BLOCKS

- 26 to 14 AWG
- Spacing 5.0 mm or 7.5 mm
- 10 A and 300 V rating
- 13.6 mm tall and 10.5 mm wide



For quantities greater than listed, call for quote.

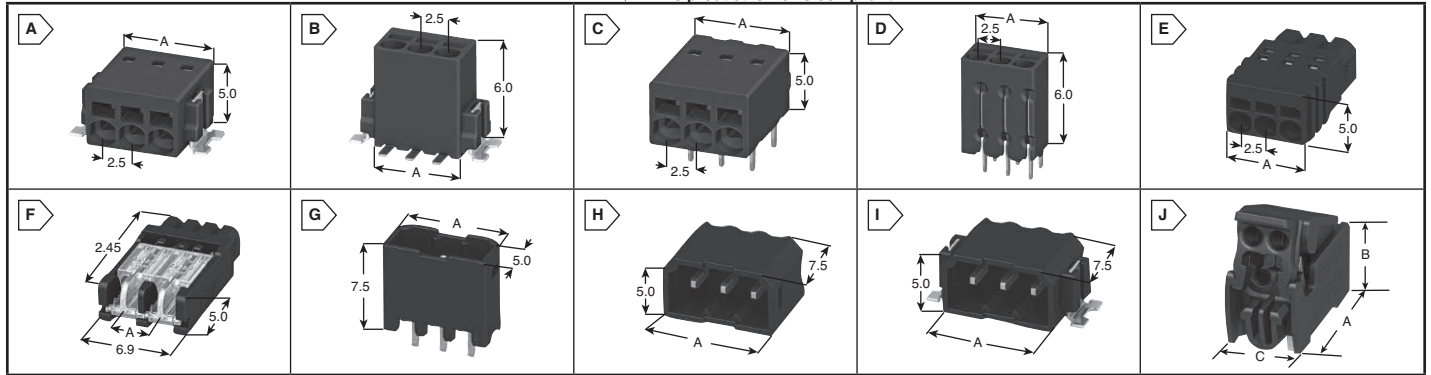
MOUSER STOCK NO.	Mfr.	Mfr. Part No.	Fig.	Phoenix Type	Pos.	Length (mm)	Price Each			
							1	50	100	250
5.0mm										
651-1792863			G	PTS 1,5/ 2-5,0-H	2	10				
651-1792876			G	PTS 1,5/ 3-5,0-H	3	15				
651-1792889			G	PTS 1,5/ 4-5,0-H	4	20				
651-1792892			G	PTS 1,5/ 5-5,0-H	5	25				
651-1792902			G	PTS 1,5/ 6-5,0-H	6	30				
651-1792915			G	PTS 1,5/ 7-5,0-H	7	35				
651-1792928			G	PTS 1,5/ 8-5,0-H	8	40				
651-1792931			G	PTS 1,5/ 9-5,0-H	9	45				
651-1792944			G	PTS 1,5/10-5,0-H	10	50				
651-1792957			G	PTS 1,5/11-5,0-H	11	55				
651-1792960			G	PTS 1,5/12-5,0-H	12	60				
7.5mm										
651-1703083			G	PTS 1,5/ 2-7,5-H	2	12,5				
651-1703084			G	PTS 1,5/ 3-7,5-H	3	20				

PHOENIX CONTACT Fixed and Mini PCB Terminal Blocks



INSPIRING INNOVATIONS

RoHS Compliant This product is RoHS compliant.



2.5MM LOW PROFILE SMT TERMINAL BLOCKS

- Features:**
- Designed to withstand the heat of the reflow process
 - Rugged anchors enable high mating cycles
 - Utilizes the "Pin-in-Paste" Mounting procedure
 - Flat Design; Only 5mm tall
 - Centerline: 2.5mm
 - Spring Cage Wire termination - No special tooling required
 - Full Tape and reel versions available upon request

- Technical Data:**
- Current: up to 6A
 - Voltage: up to 160V
 - Conductor cross-section: solid/stranded up to 0.75mm²
 - Pitch: 2.5mm
 - Height: 5mm

- Applications:**
- LED Lighting
 - Sensors/Actuators
 - Power supplies
 - Space and size critical applications



RoHS Compliant

For quantities greater than listed, call for quote.

MOUSER STOCK NO.	Fig.	Phoenix Type	Position	A Dim. (mm)	Price Each		
					1	10	50
Mfr Mfr. Part No.							
Horizontal SMT Mounting							
651-1771033	A	PTSM 0,5/3-2,5-H SMD R44	3	8			
651-1771059	A	PTSM 0,5/5-2,5-H SMD R44	5	13			
651-1771062	A	PTSM 0,5/6-2,5-H SMD R44	6	15.5			
651-1771075	A	PTSM 0,5/7-2,5-H SMD R44	7	18			
651-1771088	A	PTSM 0,5/8-2,5-H SMD R44	8	20.5			
Vertical SMT Mounting							
651-1771091	B	PTSM 0,5/2-2,5-V SMD R44	2	5.5			
651-1771101	B	PTSM 0,5/3-2,5-V SMD R44	3	8			
651-1771114	B	PTSM 0,5/4-2,5-V SMD R44	4	10.5			
651-1771127	B	PTSM 0,5/5-2,5-V SMD R44	5	13			
651-1771130	B	PTSM 0,5/6-2,5-V SMD R44	6	15.5			
651-1771143	B	PTSM 0,5/7-2,5-V SMD R44	7	18			
651-1771156	B	PTSM 0,5/8-2,5-V SMD R44	8	20.5			

2.5MM LOW PROFILE TERMINAL BLOCKS FOR SOLDER REFLOW



RoHS Compliant

For quantities greater than listed, call for quote.

MOUSER STOCK NO.	Fig.	Phoenix Type	Position	A Dim. (mm)	Price Each		
					1	10	50
Mfr Mfr. Part No.							
Horizontal Pin-in-Paste							
651-1770885	C	PTSM 0,5/2-2,5-H THR R24	2	5.5			
651-1770898	C	PTSM 0,5/3-2,5-H THR R32	3	8			
651-1770908	C	PTSM 0,5/4-2,5-H THR R32	4	10.5			
651-1770911	C	PTSM 0,5/5-2,5-H THR R32	5	13			
651-1770924	C	PTSM 0,5/6-2,5-H THR R32	6	15.5			
651-1770937	C	PTSM 0,5/7-2,5-H THR R32	7	18			
651-1770940	C	PTSM 0,5/8-2,5-H THR R32	8	20.5			
Vertical Pin-in-Paste							
651-1770953	D	PTSM 0,5/2-2,5-V THR R44	2	5.5			
651-1770966	D	PTSM 0,5/3-2,5-V THR R44	3	8			
651-1770979	D	PTSM 0,5/4-2,5-V THR R44	4	10.5			
651-1770982	D	PTSM 0,5/5-2,5-V THR R44	5	13			
651-1770995	D	PTSM 0,5/6-2,5-V THR R44	6	15.5			
651-1771004	D	PTSM 0,5/7-2,5-V THR R44	7	18			
651-1771017	D	PTSM 0,5/8-2,5-V THR R44	8	20.5			

PLUGS

Plug Connectors

For quantities greater than listed, call for quote.

MOUSER STOCK NO.	Fig.	Phoenix Type	Position	A Dim. (mm)	Price Each		
					1	10	50
Mfr Mfr. Part No.							
651-1778832	E	PTSM 0,5/2-P-2,5	2	6.1			
651-1778845	E	PTSM 0,5/3-P-2,5	3	8.6			
651-1778858	E	PTSM 0,5/4-P-2,5	4	11			
651-1778861	E	PTSM 0,5/5-P-2,5	5	13.6			
651-1778874	E	PTSM 0,5/6-P-2,5	6	16.1			
651-1778877	E	PTSM 0,5/7-P-2,5	7	18.6			
651-1778890	E	PTSM 0,5/8-P-2,5	8	21.1			

PLUGS (CONT.)

Ethernet Plug Connectors

For quantities greater than listed, call for quote.

MOUSER STOCK NO.	Fig.	Phoenix Type	Position	A Dim. (mm)	Price Each		
					1	10	50
Mfr Mfr. Part No.							
0.2mm Conductor Cross-Section							
651-1778845	F	PTSM 0,5/3-P-2,5	2	2,5			
651-1778858	F	PTSM 0,5/4-P-2,5	4	7,5			
651-1778861	F	PTSM 0,5/5-P-2,5	6	12,5			
651-1778874	F	PTSM 0,5/6-P-2,5	8	17,5			
0.4mm Conductor Cross-Section							
651-1780529	F	PTPM 0,4/2-P-2,5	2	2,5			
651-1780532	F	PTPM 0,4/4-P-2,5	4	7,5			
651-1780545	F	PTPM 0,4/6-P-2,5	6	12,5			
651-1780558	F	PTPM 0,4/8-P-2,5	8	17,5			

HEADERS FOR PTPM AND PTSM PLUG CONNECTORS

For quantities greater than listed, call for quote.

MOUSER STOCK NO.	Fig.	Phoenix Type	Position	A Dim. (mm)	Price Each		
					1	10	50
Mfr Mfr. Part No.							
Vertical Thru-Hole Mounting							
651-1778557	G	PTSM 0,5/2-HV-2,5-THR R32	2	6.7			
651-1778560	G	PTSM 0,5/3-HV-2,5-THR R32	3	9.2			
651-1778573	G	PTSM 0,5/4-HV-2,5-THR R32	4	11.7			
651-1778586	G	PTSM 0,5/5-HV-2,5-THR R32	5	14.2			
651-1778599	G	PTSM 0,5/6-HV-2,5-THR R32	6	16.7			
651-1778609	G	PTSM 0,5/7-HV-2,5-THR R44	7	19.2			
651-1778612	G	PTSM 0,5/8-HV-2,5-THR R44	8	21.7			
Horizontal Thru-Hole Mounting							
651-1778625	H	PTSM 0,5/2-HH-2,5-THR R16	2	6.7			
651-1778638	H	PTSM 0,5/3-HH-2,5-THR R32	3	9.2			
651-1778641	H	PTSM 0,5/4-HH-2,5-THR R32	4	11.7			
651-1778654	H	PTSM 0,5/5-HH-2,5-THR R32	5	14.2			
651-1778667	H	PTSM 0,5/6-HH-2,5-THR R32	6	16.7			
651-1778670	H	PTSM 0,5/7-HH-2,5-THR R44	7	19.2			
651-1778683	H	PTSM 0,5/8-HH-2,5-THR R44	8	21.7			
Horizontal SMD Mounting							
651-1778764	I	PTSM 0,5/2-HH-2,5-SMD R32	2	6.7			
651-1778777	I	PTSM 0,5/3-HH-2,5-SMD R32	3	9.2			
651-1778780	I	PTSM 0,5/4-HH-2,5-SMD R32	4	11.7			
651-1778793	I	PTSM 0,5/5-HH-2,5-SMD R32	5	14.2			
651-1778803	I	PTSM 0,5/6-HH-2,5-SMD R44	6	16.7			
651-1778816	I	PTSM 0,5/7-HH-2,5-SMD R44	7	19.2			
651-1778829	I	PTSM 0,5/8-HH-2,5-SMD R44	8	21.7			

2.5MM PTQ-THR MINI PCB TERMINAL BLOCK

Features:

- Current: up to 4 A
- Voltage: up to 160 V
- Pitch: 2.5 mm
- Height: 8 mm
- Connection cross section: solid/stranded 0.14 - 0.34 mm² / AWG 26-22
- QUICKON IDC fast connection



RoHS Compliant

For quantities greater than listed, call for quote.

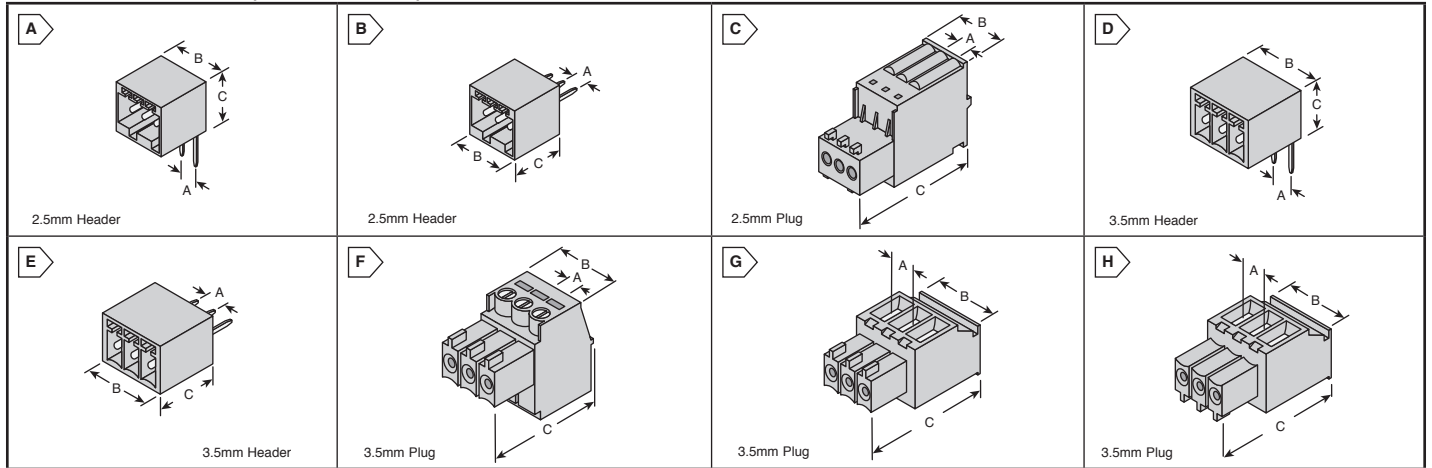
MOUSER STOCK NO.	Fig.	Phoenix Type	Pos.	Dimensions: mm			Price Each					
				A	B	C	1	10	50	100		
Mfr Mfr. Part No.												
651-1702610	J	PTQ 0,3/ 2-2,5 THR R32	2	17.55	7.00	8.00						

PHOENIX CONTACT Pluggable Terminal Blocks

(2.5mm & 3.5mm)

RoHS Compliant This product is RoHS compliant.

PHOENIX CONTACT
INSPIRING INNOVATIONS



2.5MM HEADERS

• RoHS Compliant per Phoenix documentation



File# E60425

Single Level, Through-Hole Solder Mounting

For quantities greater than listed, call for quote.

MOUSER STOCK NO.	Fig.	Phoenix Type	No. of Pos.	Dimensions: mm			Price Each		
				A	B	C	1	10	50
2.5mm PCB Terminal Block Headers - 90° Socket-to Pin Orientation									
UL: 125V @ 4A, Green Color									
651-1881448	A	MC 0.5/2-G-2.5	2	2.5	6.9	8.1			
651-1881451	A	MC 0.5/3-G-2.5	3	2.5	9.4	8.1			
651-1881464	A	MC 0.5/4-G-2.5	4	2.5	11.9	8.1			
651-1881477	A	MC 0.5/5-G-2.5	5	2.5	14.4	8.1			
651-1881480	A	MC 0.5/6-G-2.5	6	2.5	16.9	8.1			
651-1881493	A	MC 0.5/7-G-2.5	7	2.5	19.4	8.1			
651-1881503	A	MC 0.5/8-G-2.5	8	2.5	21.9	8.1			
651-1881516	A	MC 0.5/9-G-2.5	9	2.5	24.4	8.1			
651-1881529	A	MC 0.5/10-G-2.5	10	2.5	26.9	8.1			
651-1881545	A	MC 0.5/12-G-2.5	12	2.5	31.9	8.1			
2.5mm PCB Terminal Block Headers - 90° Socket-to Pin Orientation									
UL: 125V @ 4A, Green Color									
651-1881561	B	MCV 0.5/3-G-2.5	3	2.5	9.4	10.1			
651-1881574	B	MCV 0.5/4-G-2.5	4	2.5	11.9	10.1			
651-1881587	B	MCV 0.5/5-G-2.5	5	2.5	14.4	10.1			
651-1881590	B	MCV 0.5/6-G-2.5	6	2.5	16.9	10.1			
651-1881600	B	MCV 0.5/7-G-2.5	7	2.5	19.4	10.1			
651-1881613	B	MCV 0.5/8-G-2.5	8	2.5	21.9	10.1			
651-1881626	B	MCV 0.5/9-G-2.5	9	2.5	24.4	10.1			
651-1881639	B	MCV 0.5/10-G-2.5	10	2.5	26.9	10.1			
651-1881655	B	MCV 0.5/12-G-2.5	12	2.5	31.9	10.1			

2.5MM PLUGS

• RoHS Compliant per Phoenix documentation



File# E60425

Spring Force Wire Termination

For quantities greater than listed, call for quote.

MOUSER STOCK NO.	Fig.	Phoenix Type	No. of Pos.	Dimensions: mm			Price Each		
				A	B	C	1	10	50
2.5mm PCB Terminal Block Plugs - 180° Wire-to Plug Orientation									
UL: 125V @ 4A, 28-20AWG, Green Color									
651-1881325	C	FK-MC 0.5/2-ST-2.5	2	2.5	5.6	19.2			
651-1881338	C	FK-MC 0.5/3-ST-2.5	3	2.5	8.1	19.2			
651-1881341	C	FK-MC 0.5/4-ST-2.5	4	2.5	10.6	19.2			
651-1881354	C	FK-MC 0.5/5-ST-2.5	5	2.5	13.1	19.2			
651-1881367	C	FK-MC 0.5/6-ST-2.5	6	2.5	15.6	19.2			
651-1881370	C	FK-MC 0.5/7-ST-2.5	7	2.5	18.1	19.2			
651-1881383	C	FK-MC 0.5/8-ST-2.5	8	2.5	20.6	19.2			
651-1881396	C	FK-MC 0.5/9-ST-2.5	9	2.5	23.1	19.2			
651-1881406	C	FK-MC 0.5/10-ST-2.5	10	2.5	25.6	19.2			
651-1881422	C	FK-MC 0.5/12-ST-2.5	12	2.5	30.6	19.2			

3.5MM HEADERS

• RoHS Compliant per Phoenix documentation



File# E60425

Single Level, Through-Hole Solder Mounting

For quantities greater than listed, call for quote.

MOUSER STOCK NO.	Fig.	Phoenix Type	No. of Pos.	Dimensions: mm			Price Each		
				A	B	C	1	10	50
3.5mm PCB Terminal Block Headers - 90° Socket-to Pin Orientation									
UL: 300V @ 8A, Green Color									
651-1844210	D	MC 1.5/2-G-3.5	2	3.5	8.4	7.25			
651-1844223	D	MC 1.5/3-G-3.5	3	3.5	11.9	7.25			
651-1844236	D	MC 1.5/4-G-3.5	4	3.5	15.4	7.25			
651-1844249	D	MC 1.5/5-G-3.5	5	3.5	18.9	7.25			
651-1844252	D	MC 1.5/6-G-3.5	6	3.5	22.4	7.25			
651-1844265	D	MC 1.5/7-G-3.5	7	3.5	25.9	7.25			

3.5MM HEADERS (CONT.)

• RoHS Compliant per Phoenix documentation



File# E60425

Single Level, Through-Hole Solder Mounting

For quantities greater than listed, call for quote.

MOUSER STOCK NO.	Fig.	Phoenix Type	No. of Pos.	Dimensions: mm			Price Each		
				A	B	C	1	10	50
3.5mm PCB Terminal Block Headers (Cont.) - 90° Socket-to Pin Orientation									
UL: 300V @ 8A, Green Color									
651-1844278	D	MC 1.5/8-G-3.5	8	3.5	29.4	7.25			
651-1844281	D	MC 1.5/9-G-3.5	9	3.5	32.9	7.25			
651-1844294	D	MC 1.5/10-G-3.5	10	3.5	36.4	7.25			
651-1844317	D	MC 1.5/12-G-3.5	12	3.5	43.4	7.25			
3.5mm PCB Terminal Block Headers - 180° Socket-to Pin Orientation									
UL: 300V @ 8A, Green Color									
651-1843606	E	MCV 1.5/2-G-3.5	2	3.5	8.4	9.2			
651-1843619	E	MCV 1.5/3-G-3.5	3	3.5	11.9	9.2			
651-1843622	E	MCV 1.5/4-G-3.5	4	3.5	15.4	9.2			
651-1843635	E	MCV 1.5/5-G-3.5	5	3.5	18.9	9.2			
651-1843648	E	MCV 1.5/6-G-3.5	6	3.5	22.4	9.2			
651-1843651	E	MCV 1.5/7-G-3.5	7	3.5	25.9	9.2			
651-1843664	E	MCV 1.5/8-G-3.5	8	3.5	29.4	9.2			
651-1843677	E	MCV 1.5/9-G-3.5	9	3.5	32.9	9.2			
651-1843680	E	MCV 1.5/10-G-3.5	10	3.5	36.4	9.2			
651-1843703	E	MCV 1.5/12-G-3.5	12	3.5	43.4	9.2			

3.5MM PLUGS

• RoHS Compliant per Phoenix documentation



File# E60425

Screw Clamp Wire Termination

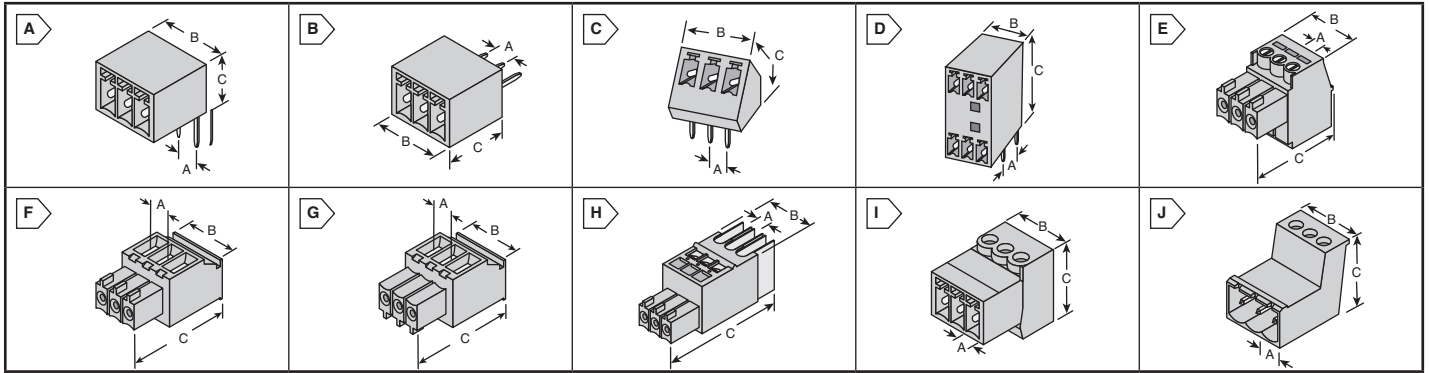
For quantities greater than listed, call for quote.

MOUSER STOCK NO.	Fig.	Phoenix Type	No. of Pos.	Dimensions: mm			Price Each		
				A	B	C	1	10	50
3.5mm PCB Terminal Block Plugs - 180° Wire-to-Plug Orientation									
UL: 300V @ 8A, 30-14AWG, Green Color									
651-1840366	F	MC 1.5/2-ST-3.5	2	3.5	7	15.5			
651-1840379	F	MC 1.5/3-ST-3.5	3	3.5	10.5	15.5			
651-1840382	F	MC 1.5/4-ST-3.5	4	3.5	14	15.5			
651-1840395	F	MC 1.5/5-ST-3.5	5	3.5	17.5	15.5			
651-1840405	F	MC 1.5/6-ST-3.5	6	3.5	21	15.5			
651-1840418	F	MC 1.5/7-ST-3.5	7	3.5	24.5	15.5			
651-1840421	F	MC 1.5/8-ST-3.5	8	3.5	28	15.5			
651-1840434	F	MC 1.5/9-ST-3.5	9	3.5	31.5	15.5			
651-1840447	F	MC 1.5/10-ST-3.5	10	3.5	35	15.5			
651-1840450	F	MC 1.5/11-ST-3.5	11	3.5	38.5	15.5			
651-1840463	F	MC 1.5/12-ST-3.5	12	3.5	42	15.5			
3.5mm PCB Terminal Block Plugs - 90° Wire-to-Plug Orientation									
UL: 300V @ 8A, 30-14AWG, Green Color									
651-1863152	G	MCVR 1.5/2-ST-3.5	2	3.5	7.8	19.1			
651-1863165	G	MCVR 1.5/3-ST-3.5	3	3.5	11.3	19.1			
651-1863178	G	MCVR 1.5/4-ST-3.5	4	3.5	14.8	19.1			
651-1863181	G	MCVR 1.5/5-ST-3.5	5	3.5	18.3	19.1			
651-1863194	G	MCVR 1.5/6-ST-3.5	6	3.5	21.8	19.1			
651-1863217	G	MCVR 1.5/8-ST-3.5	8	3.5	28.8	19.1			
651-1863233	G	MCVR 1.5/10-ST-3.5	10	3.5	35.8	19.1			
3.5mm PCB Terminal Block Plugs - 270° Wire-to-Plug Orientation									
UL: 300V @ 8A, 30-14AWG, Green Color									
651-1862852	H	MCVW 1.5/2-ST-3.5	2	3.5	7.8	19.1			
651-1862865	H	MCVW 1.5/3-ST-3.5	3	3.5	11.3	19.1			
651-1862878	H	MCVW 1.5/4-ST-3.5	4	3.5	14.8	19.1			
651-1862881	H	MCVW 1.5/5-ST-3.5	5	3.5	18.3	19.1			
651-1862894	H	MCVW 1.5/6-ST-3.5	6	3.5	21.8	19.1			
651-1862917	H	MCVW 1.5/8-ST-3.5	8	3.5	28.8	19.1			
651-1862920	H	MCVW 1.5/9-ST-3.5	9	3.5	32.3	19.1			
651-1862933	H	MCVW 1.5/10-ST-3.5	10	3.5	35.8	19.1			

PHOENIX CONTACT Pluggable Terminal Blocks



RoHS Compliant This product is RoHS compliant.



3.81MM HEADERS

• RoHS Compliant per Phoenix documentation • UL: 300V @ 8A, 30-14AWG • Color: Green

PCB, Single Level, Through-Hole Solder Mounting

For quantities greater than listed, call for quote.

MOUSER STOCK NO.	Fig.	Phoenix Type	Pos.	Dimensions: mm			Price Each		
				A	B	C	1	10	50
90° Socket-to-Pin Orientation									
Mfr Mfr. Part No.									
651-1803277	A	MC 1.5/2-G-3.81	2	3.81	9.01	7.25			
651-1803280	A	MC 1.5/3-G-3.81	3	3.81	12.82	7.25			
651-1803293	A	MC 1.5/4-G-3.81	4	3.81	16.63	7.25			
651-1803303	A	MC 1.5/5-G-3.81	5	3.81	20.44	7.25			
651-1803316	A	MC 1.5/6-G-3.81	6	3.81	24.25	7.25			
651-1803329	A	MC 1.5/7-G-3.81	7	3.81	28.06	7.25			
651-1803332	A	MC 1.5/8-G-3.81	8	3.81	31.87	7.25			
651-1803345	A	MC 1.5/9-G-3.81	9	3.81	35.68	7.25			
651-1803358	A	MC 1.5/10-G-3.81	10	3.81	39.49	7.25			
651-1803361	A	MC 1.5/11-G-3.81	11	3.81	43.30	7.25			
651-1803374	A	MC 1.5/12-G-3.81	12	3.81	47.11	7.25			
651-1803387	A	MC 1.5/13-G-3.81	13	3.81	50.92	7.25			
651-1803390	A	MC 1.5/14-G-3.81	14	3.81	54.73	7.25			
651-1803400	A	MC 1.5/15-G-3.81	15	3.81	58.54	7.25			
651-1803413	A	MC 1.5/16-G-3.81	16	3.81	62.35	7.25			

MOUSER STOCK NO.	Fig.	Phoenix Type	Pos.	Dimensions: mm			Price Each		
				A	B	C	1	10	50
180° Socket-to-Pin Orientation									
Mfr Mfr. Part No.									
651-1803426	B	MCV 1.5/2-G-3.81	2	3.81	9.01	9.2			
651-1803439	B	MCV 1.5/3-G-3.81	3	3.81	12.82	9.2			
651-1803442	B	MCV 1.5/4-G-3.81	4	3.81	16.63	9.2			
651-1803455	B	MCV 1.5/5-G-3.81	5	3.81	20.44	9.2			
651-1803468	B	MCV 1.5/6-G-3.81	6	3.81	24.25	9.2			
651-1803471	B	MCV 1.5/7-G-3.81	7	3.81	28.06	9.2			
651-1803484	B	MCV 1.5/8-G-3.81	8	3.81	31.87	9.2			
651-1803497	B	MCV 1.5/9-G-3.81	9	3.81	35.68	9.2			
651-1803507	B	MCV 1.5/10-G-3.81	10	3.81	39.49	9.2			
651-1803510	B	MCV 1.5/11-G-3.81	11	3.81	43.30	9.2			
651-1803523	B	MCV 1.5/12-G-3.81	12	3.81	47.11	9.2			
651-1803536	B	MCV 1.5/13-G-3.81	13	3.81	50.92	9.2			
651-1803549	B	MCV 1.5/14-G-3.81	14	3.81	54.73	9.2			
651-1803552	B	MCV 1.5/15-G-3.81	15	3.81	58.54	9.2			
651-1803565	B	MCV 1.5/16-G-3.81	16	3.81	62.35	9.2			

MOUSER STOCK NO.	Fig.	Phoenix Type	Pos.	Dimensions: mm			Price Each		
				A	B	C	1	10	50
45° Socket-to-Pin Orientation									
Mfr Mfr. Part No.									
651-1827279	C	SMC 1.5/2-G-3.81	2	3.81	9.01	11			
651-1827282	C	SMC 1.5/3-G-3.81	3	3.81	12.82	11			
651-1827295	C	SMC 1.5/4-G-3.81	4	3.81	16.63	11			
651-1827305	C	SMC 1.5/5-G-3.81	5	3.81	20.44	11			
651-1827318	C	SMC 1.5/6-G-3.81	6	3.81	24.25	11			
651-1827321	C	SMC 1.5/7-G-3.81	7	3.81	28.06	11			
651-1827334	C	SMC 1.5/8-G-3.81	8	3.81	31.87	11			
651-1827350	C	SMC 1.5/10-G-3.81	10	3.81	39.49	11			
651-1827376	C	SMC 1.5/12-G-3.81	12	3.81	47.11	11			

Double Level, Through-Hole Solder Mounting

For quantities greater than listed, call for quote.

MOUSER STOCK NO.	Fig.	Phoenix Type	Pos.	Dimensions: mm			Price Each		
				A	B	C	1	10	50
90° Socket-to-Pin Orientation									
Mfr Mfr. Part No.									
651-1843075	D	MCD 1.5/2-G1-3.81	2	12.70	9.01	22.7			
651-1843088	D	MCD 1.5/3-G1-3.81	3	12.70	12.82	22.7			
651-1843091	D	MCD 1.5/4-G1-3.81	4	12.70	16.63	22.7			
651-1843101	D	MCD 1.5/5-G1-3.81	5	12.70	20.44	22.7			
651-1843114	D	MCD 1.5/6-G1-3.81	6	12.70	24.25	22.7			
651-1843127	D	MCD 1.5/7-G1-3.81	7	12.70	28.06	22.7			
651-1843130	D	MCD 1.5/8-G1-3.81	8	12.70	31.87	22.7			
651-1843143	D	MCD 1.5/9-G1-3.81	9	12.70	35.68	22.7			
651-1843156	D	MCD 1.5/10-G1-3.81	10	12.70	39.49	22.7			
651-1843172	D	MCD 1.5/12-G1-3.81	12	12.70	47.11	22.7			

3.81MM PLUGS

• RoHS Compliant per Phoenix documentation • UL: 300V @ 8A, 30-14AWG • Color: Green

Screw Clamp Wire Termination

MOUSER STOCK NO.	Fig.	Phoenix Type	Pos.	Dimensions: mm			Price Each		
				A	B	C	1	10	50
180° Wire-to-Plug Orientation									
Mfr Mfr. Part No.									
651-1803578	E	MC 1.5/2-ST-3.81	2	3.81	8.41	15.5			
651-1803581	E	MC 1.5/3-ST-3.81	3	3.81	12.22	15.5			
651-1803594	E	MC 1.5/4-ST-3.81	4	3.81	16.03	15.5			
651-1803604	E	MC 1.5/5-ST-3.81	5	3.81	19.84	15.5			
651-1803617	E	MC 1.5/6-ST-3.81	6	3.81	23.65	15.5			
651-1803620	E	MC 1.5/7-ST-3.81	7	3.81	27.46	15.5			
651-1803633	E	MC 1.5/8-ST-3.81	8	3.81	31.27	15.5			
651-1803646	E	MC 1.5/9-ST-3.81	9	3.81	35.08	15.5			
651-1803659	E	MC 1.5/10-ST-3.81	10	3.81	38.89	15.5			
651-1803662	E	MC 1.5/11-ST-3.81	11	3.81	42.07	15.5			
651-1803675	E	MC 1.5/12-ST-3.81	12	3.81	46.51	15.5			

3.81MM PLUGS (CONT.)

Screw Clamp Wire Termination

For quantities greater than listed, call for quote.

MOUSER STOCK NO.	Fig.	Phoenix Type	Pos.	Dimensions: mm			Price Each		
				A	B	C	1	10	50
90° Wire-to-Plug Orientation									
Mfr Mfr. Part No.									
651-1827127	F	MCV 1.5/2-ST-3.81	2	3.81	8.41	19.1			
651-1827130	F	MCV 1.5/3-ST-3.81	3	3.81	12.22	19.1			
651-1827143	F	MCV 1.5/4-ST-3.81	4	3.81	16.03	19.1			
651-1827156	F	MCV 1.5/5-ST-3.81	5	3.81	19.84	19.1			
651-1827169	F	MCV 1.5/6-ST-3.81	6	3.81	23.65	19.1			
651-1827172	F	MCV 1.5/7-ST-3.81	7	3.81	27.46	19.1			
651-1827185	F	MCV 1.5/8-ST-3.81	8	3.81	31.27	19.1			
651-1827198	F	MCV 1.5/9-ST-3.81	9	3.81	35.08	19.1			
651-1827208	F	MCV 1.5/10-ST-3.81	10	3.81	38.89	19.1			
651-1827224	F	MCV 1.5/12-ST-3.81	12	3.81	46.51	19.1			
651-1827237	F	MCV 1.5/13-ST-3.81	13	3.81	50.32	19.1			
651-1827240	F	MCV 1.5/14-ST-3.81	14	3.81	54.13	19.1			
651-1827266	F	MCV 1.5/16-ST-3.81	16	3.81	61.75	19.1			

MOUSER STOCK NO.	Fig.	Phoenix Type	Pos.	Dimensions: mm			Price Each		
				A	B	C	1	10	50
270° Wire-to-Plug Orientation									
Mfr Mfr. Part No.									
651-1826979	G	MCVW 1.5/2-ST-3.81	2	3.81	8.41	19.1			
651-1826982	G	MCVW 1.5/3-ST-3.81	3	3.81	12.22	19.1			
651-1826995	G	MCVW 1.5/4-ST-3.81	4	3.81	16.03	19.1			
651-1827004	G	MCVW 1.5/5-ST-3.81	5	3.81	19.84	19.1			
651-1827017	G	MCVW 1.5/6-ST-3.81	6	3.81	23.65	19.1			
651-1827020	G	MCVW 1.5/7-ST-3.81	7	3.81	27.46	19.1			
651-1827033	G	MCVW 1.5/8-ST-3.81	8	3.81	31.27	19.1			
651-1827046	G	MCVW 1.5/9-ST-3.81	9	3.81	35.08	19.1			
651-1827059	G	MCVW 1.5/10-ST-3.81	10	3.81	38.89	19.1			
651-1827062	G	MCVW 1.5/11-ST-3.81	11	3.81	42.07	19.1			
651-1827075	G	MCVW 1.5/12-ST-3.81	12	3.81	46.51	19.1			
651-1827091	G	MCVW 1.5/14-ST-3.81	14	3.81	54.13	19.1			
651-1827114	G	MCVW 1.5/16-ST-3.81	16	3.81	61.75	19.1			

Insulation Displacement Wire Termination

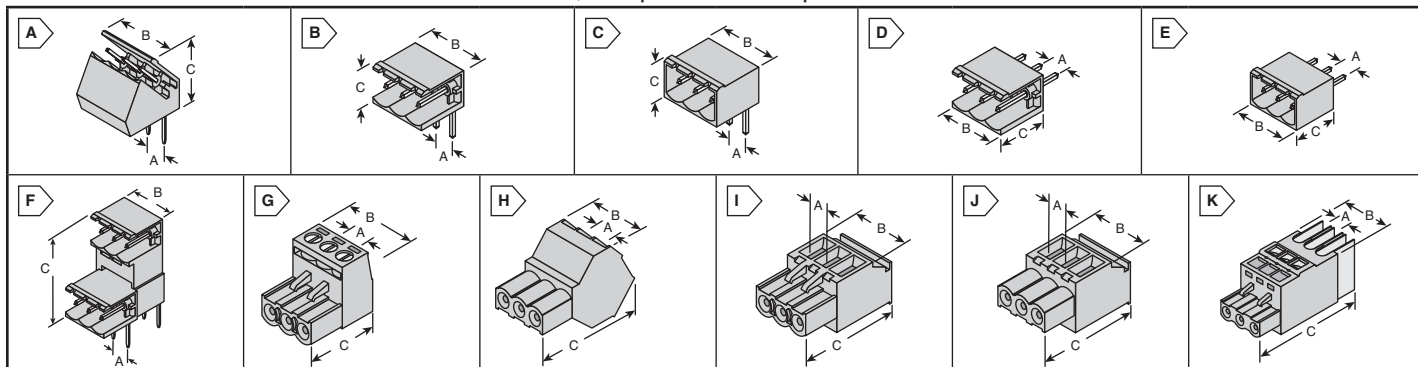
For quantities greater than listed, call for quote.

MOUSER STOCK NO.	Fig.	Phoenix Type	Pos.	Dimensions: mm			Price Each		
				A	B	C	1	10	50
180° Wire-to-Plug Orientation									
Mfr Mfr. Part No.									
651-1897393	H	QC 0.5/2-ST-3.81	2	3.81	8.41	22.3			
651-1897403	H	QC 0.5/3-ST-3.81	3	3.81	12.22	22.3			
651-1897458	H	QC 0.5/8-ST-3.81	8	3.81	31.27	22.3			
651-1897474	H	QC 0.5/10-ST-3.81	10	3.81	38.89	22.3			
651-1897487	H	QC 0.5/11-ST-3.81	1						

PHOENIX CONTACT 5.08mm Pluggable Terminal Blocks



RoHS Compliant This product is RoHS compliant.



5.08MM HEADERS

PCB, Single Level, Through-Hole Solder Mounting

- RoHS Compliant per Phoenix documentation
- UL: 150V @ 15A and 300V @ 10A • Color: Green



For quantities greater than listed, call for quote.

MOUSER STOCK NO.		Fig.	Phoenix Type	Pos.	Dimensions: mm			Price Each		
Mfr	Mfr. Part No.				A	B	C	1	10	50
135° Socket-to-Pin Orientation Without Side Panels										
651-1769463	A	SMSTB 2.5/2-G-5.08	2	5.08	10.16	14.8				
651-1769476	A	SMSTB 2.5/3-G-5.08	3	5.08	15.24	14.8				
651-1769489	A	SMSTB 2.5/4-G-5.08	4	5.08	20.32	14.8				
651-1769492	A	SMSTB 2.5/5-G-5.08	5	5.08	25.40	14.8				
651-1769502	A	SMSTB 2.5/6-G-5.08	6	5.08	30.48	14.8				
651-1769528	A	SMSTB 2.5/8-G-5.08	8	5.08	40.64	14.8				
651-1769544	A	SMSTB 2.5/10-G-5.08	10	5.08	50.80	14.8				
651-1769560	A	SMSTB 2.5/12-G-5.08	12	5.08	60.96	14.8				
90° Socket-to-Pin Orientation Without Side Panels										
651-1759017	B	MSTB 2.5/2-G-5.08	2	5.08	10.16	8.6				
651-1759020	B	MSTB 2.5/3-G-5.08	3	5.08	15.24	8.6				
651-1759033	B	MSTB 2.5/4-G-5.08	4	5.08	20.32	8.6				
651-1759046	B	MSTB 2.5/5-G-5.08	5	5.08	25.40	8.6				
651-1759059	B	MSTB 2.5/6-G-5.08	6	5.08	30.48	8.6				
651-1759062	B	MSTB 2.5/7-G-5.08	7	5.08	35.56	8.6				
651-1759075	B	MSTB 2.5/8-G-5.08	8	5.08	40.64	8.6				
651-1759088	B	MSTB 2.5/9-G-5.08	9	5.08	45.72	8.6				
651-1759091	B	MSTB 2.5/10-G-5.08	10	5.08	50.80	8.6				
651-1759114	B	MSTB 2.5/12-G-5.08	12	5.08	60.96	8.6				
90° Socket-to-Pin Orientation										
651-1757242	C	MSTBA2.5/2-G-5.08	2	5.08	12.16	8.6				
651-1757255	C	MSTBA2.5/3-G-5.08	3	5.08	17.24	8.6				
651-1757268	C	MSTBA2.5/4-G-5.08	4	5.08	22.32	8.6				
651-1757271	C	MSTBA2.5/5-G-5.08	5	5.08	27.40	8.6				
651-1757284	C	MSTBA2.5/6-G-5.08	6	5.08	32.48	8.6				
651-1757297	C	MSTBA2.5/7-G-5.08	7	5.08	37.56	8.6				
651-1757307	C	MSTBA2.5/8-G-5.08	8	5.08	42.64	8.6				
651-1757310	C	MSTBA2.5/9-G-5.08	9	5.08	47.72	8.6				
651-1757323	C	MSTBA2.5/10-G-5.08	10	5.08	52.80	8.6				
651-1757336	C	MSTBA2.5/11-G-5.08	11	5.08	57.88	8.6				
651-1757349	C	MSTBA2.5/12-G-5.08	12	5.08	62.96	8.6				
180° Socket-to-Pin Orientation Without Side Panels										
651-1758018	D	MSTBV 2.5/2-G-5.08	2	5.08	10.16	12.0				
651-1758021	D	MSTBV 2.5/3-G-5.08	3	5.08	15.24	12.0				
651-1758034	D	MSTBV 2.5/4-G-5.08	4	5.08	20.32	12.0				
651-1758047	D	MSTBV 2.5/5-G-5.08	5	5.08	25.40	12.0				
651-1758050	D	MSTBV 2.5/6-G-5.08	6	5.08	30.48	12.0				
651-1758063	D	MSTBV 2.5/7-G-5.08	7	5.08	35.56	12.0				
651-1758076	D	MSTBV 2.5/8-G-5.08	8	5.08	40.64	12.0				
651-1758089	D	MSTBV 2.5/9-G-5.08	9	5.08	45.72	12.0				
651-1758092	D	MSTBV 2.5/10-G-5.08	10	5.08	50.80	12.0				
651-1758115	D	MSTBV 2.5/12-G-5.08	12	5.08	60.96	12.0				
180° Socket-to-Pin Orientation										
651-1755736	E	MSTBVA2.5/2-G-5.08	2	5.08	12.16	12.0				
651-1755749	E	MSTBVA2.5/3-G-5.08	3	5.08	17.24	12.0				
651-1755752	E	MSTBVA2.5/4-G-5.08	4	5.08	22.32	12.0				
651-1755765	E	MSTBVA2.5/5-G-5.08	5	5.08	27.40	12.0				
651-1755778	E	MSTBVA2.5/6-G-5.08	6	5.08	32.48	12.0				
651-1755781	E	MSTBVA2.5/7-G-5.08	7	5.08	37.56	12.0				
651-1755794	E	MSTBVA2.5/8-G-5.08	8	5.08	42.64	12.0				
651-1755804	E	MSTBVA2.5/9-G-5.08	9	5.08	47.72	12.0				
651-1755817	E	MSTBVA2.5/10-G-5.08	10	5.08	52.80	12.0				
651-1755820	E	MSTBVA2.5/11-G-5.08	11	5.08	57.88	12.0				
651-1755833	E	MSTBVA2.5/12-G-5.08	12	5.08	62.96	12.0				

Double Level, Through-Hole Solder Mounting

- RoHS Compliant per Phoenix documentation
- UL: 150V @ 15A and 300V @ 10A
- Color: Green



For quantities greater than listed, call for quote.

MOUSER STOCK NO.		Fig.	Phoenix Type	Pos.	Dimensions: mm			Price Each		
Mfr	Mfr. Part No.				A	B	C	1	10	50
90° Socket-to-Pin Orientation Without Side Panels										
651-1762062	F	MDSTB 2.5/2-G-5.08	2	5.08	10.16	23.5				
651-1762075	F	MDSTB 2.5/3-G-5.08	3	5.08	15.24	23.5				

5.08MM PLUGS

Screw Clamp Wire Termination

- RoHS Compliant per Phoenix documentation
- UL: 150V @ 15A and 300V @ 10A, 30-12AWG
- Color: Green



For quantities greater than listed, call for quote.

MOUSER STOCK NO.		Fig.	Phoenix Type	Pos.	Dimensions: mm			Price Each		
Mfr	Mfr. Part No.				A	B	C	1	10	50
180° Wire-to-Plug Orientation										
651-1757019	G	MSTB 2.5/2-ST-5.08	2	5.08	10.16	18.2				
651-1757022	G	MSTB 2.5/3-ST-5.08	3	5.08	15.24	18.2				
651-1757035	G	MSTB 2.5/4-ST-5.08	4	5.08	20.32	18.2				
651-1757048	G	MSTB 2.5/5-ST-5.08	5	5.08	25.40	18.2				
651-1757051	G	MSTB 2.5/6-ST-5.08	6	5.08	30.48	18.2				
651-1757064	G	MSTB 2.5/7-ST-5.08	7	5.08	35.56	18.2				
651-1757077	G	MSTB 2.5/8-ST-5.08	8	5.08	40.64	18.2				
651-1757080	G	MSTB 2.5/9-ST-5.08	9	5.08	45.72	18.2				
651-1757093	G	MSTB 2.5/10-ST-5.08	10	5.08	50.80	18.2				
651-1757103	G	MSTB 2.5/11-ST-5.08	11	5.08	55.88	18.2				
651-1757116	G	MSTB 2.5/12-ST-5.08	12	5.08	60.96	18.2				
180° Wire-to-Plug Orientation										
651-1826283	H	SMSTB 2.5/2-ST-5.08	2	5.08	10.16	25.5				
651-1826296	H	SMSTB 2.5/3-ST-5.08	3	5.08	15.24	25.5				
651-1826306	H	SMSTB 2.5/4-ST-5.08	4	5.08	20.32	25.5				
651-1826319	H	SMSTB 2.5/5-ST-5.08	5	5.08	25.40	25.5				
651-1826322	H	SMSTB 2.5/6-ST-5.08	6	5.08	30.48	25.5				
651-1826335	H	SMSTB 2.5/7-ST-5.08	7	5.08	35.56	25.5				
651-1826348	H	SMSTB 2.5/8-ST-5.08	8	5.08	40.64	25.5				
651-1826351	H	SMSTB 2.5/9-ST-5.08	9	5.08	45.72	25.5				
651-1826364	H	SMSTB 2.5/10-ST-5.08	10	5.08	50.80	25.5				
651-1826377	H	SMSTB 2.5/11-ST-5.08	11	5.08	55.88	25.5				
651-1826380	H	SMSTB 2.5/12-ST-5.08	12	5.08	60.96	25.5				
90° Wire-to-Plug Orientation										
651-1792249	I	MVSTBR 2.5/2-ST-5.08	2	5.08	10.16	26.0				
651-1792252	I	MVSTBR 2.5/3-ST-5.08	3	5.08	15.24	26.0				
651-1792265	I	MVSTBR 2.5/4-ST-5.08	4	5.08	20.32	26.0				
651-1792278	I	MVSTBR 2.5/5-ST-5.08	5	5.08	25.40	26.0				
651-1792281	I	MVSTBR 2.5/6-ST-5.08	6	5.08	30.48	26.0				
651-1792294	I	MVSTBR 2.5/7-ST-5.08	7	5.08	35.56	26.0				
651-1792304	I	MVSTBR 2.5/8-ST-5.08	8	5.08	40.64	26.0				
651-1792317	I	MVSTBR 2.5/9-ST-5.08	9	5.08	45.72	26.0				
651-1792320	I	MVSTBR 2.5/10-ST-5.08	10	5.08	50.80	26.0				
651-1792333	I	MVSTBR 2.5/11-ST-5.08	11	5.08	55.88	26.0				
651-1792346	I	MVSTBR 2.5/12-ST-5.08	12	5.08	60.96	26.0				
270° Wire-to-Plug Orientation										
651-1792757	J	MVSTBW 2.5/2-ST-5.08	2	5.08	10.16	26.0				
651-1792760	J	MVSTBW 2.5/3-ST-5.08	3	5.08	15.24	26.0				
651-1792773	J	MVSTBW 2.5/4-ST-5.08	4	5.08	20.32	26.0				
651-1792786	J	MVSTBW 2.5/5-ST-5.08	5	5.08	25.40	26.0				
651-1792799	J	MVSTBW 2.5/6-ST-5.08	6	5.08	30.48	26.0				
651-1792809	J	MVSTBW 2.5/7-ST-5.08	7	5.08	35.56	26.0				
651-1792812	J	MVSTBW 2.5/8-ST-5.08	8	5.08	40.64	26.0				
651-1792825	J	MVSTBW 2.5/9-ST-5.08	9	5.08	45.72	26.0				
651-1792838	J	MVSTBW 2.5/10-ST-5.08	10	5.08	50.80	26.0				
651-1792841	J	MVSTBW 2.5/11-ST-5.08	11	5.08	55.88	26.0				
651-1792854	J	MVSTBW 2.5/12-ST-5.08	12	5.08	60.96	26.0				

Insulation Displacement Wire Termination

PHOENIX CONTACT Terminal Blocks



RoHS Compliant This product is RoHS compliant.

7.62MM PC5 "CLICK-N-LOCK" PCB MOUNT HEADERS

- Products make an audible click when properly mated
- No tools necessary for removal of locked connectors
- Wire Range: 24-8AWG
- Maximum Voltage: 600V
- Maximum Current: 35A



RoHS Compliant

Horizontal PCB Mount

For quantities greater than listed, call for quote.

MOUSER STOCK NO.		Fig.	Phoenix Type	Pos.	Dimensions: mm			Price Each			
Mfr.	Mfr. Part No.				A	B	C	1	10	50	100
651	1720466	A	PC 5/2-G-7,62	2	13.54	15.24	29.25				
651	1720479	A	PC 5/3-G-7,62	3	13.54	22.86	29.25				
651	1720482	A	PC 5/4-G-7,62	4	13.54	30.48	29.25				
651	1720495	A	PC 5/5-G-7,62	5	13.54	38.10	29.25				
651	1720505	A	PC 5/6-G-7,62	6	13.54	45.72	29.25				
651	1720518	A	PC 5/7-G-7,62	7	13.54	53.34	29.25				
651	1720521	A	PC 5/8-G-7,62	8	13.54	60.96	29.25				

Vertical PCB Mount

For quantities greater than listed, call for quote.

MOUSER STOCK NO.		Fig.	Phoenix Type	Pos.	Dimensions: mm			Price Each			
Mfr.	Mfr. Part No.				A	B	C	1	10	50	100
651	1720576	B	PCV 5/2-G-7,62	2	29.25	15.24	13.54				
651	1720589	B	PCV 5/3-G-7,62	3	29.25	22.86	13.54				
651	1720592	B	PCV 5/4-G-7,62	4	29.25	30.48	13.54				
651	1720615	B	PCV 5/6-G-7,62	6	29.25	45.72	13.54				
651	1720631	B	PCV 5/8-G-7,62	8	29.25	60.96	13.54				

7.62MM PC5 "CLICK-N-LOCK" PLUGS

- Products make an audible click when properly mated
- No tools necessary for removal of locked connectors
- Wire Range: 24-8AWG
- Maximum Voltage: 600V
- Maximum Current: 35A
- Available with Inverted Plug for Wire-to-Wire Applications



Spring Cage Wire Termination

For quantities greater than listed, call for quote.

MOUSER STOCK NO.		Fig.	Phoenix Type	Pos.	Dimensions: mm			Price Each			
Mfr.	Mfr. Part No.				A	B	C	1	10	50	100
651	1718481	C	SPC 5/2-STCL-7,62	2	19.80	15.24	38.50				
651	1718494	C	SPC 5/3-STCL-7,62	3	19.80	22.86	38.50				
651	1718504	C	SPC 5/4-STCL-7,62	4	19.80	30.48	38.50				
651	1718517	C	SPC 5/5-STCL-7,62	5	19.80	38.10	38.50				
651	1718520	C	SPC 5/6-STCL-7,62	6	19.80	45.72	38.50				

Screw Clamp Wire Termination, Inverted Plug

* Inverted plug for use with Figure C or D style plugs to create a wire to wire application

For quantities greater than listed, call for quote.

MOUSER STOCK NO.		Fig.	Phoenix Type	Pos.	Dimensions: mm			Price Each			
Mfr.	Mfr. Part No.				A	B	C	1	10	50	100
651	1718261	D	IPC 5/2-STGCL-7,62	2	22.90	15.24	36.55				
651	1718274	D	IPC 5/3-STGCL-7,62	3	22.90	22.86	36.55				
651	1718287	D	IPC 5/4-STGCL-7,62	4	22.90	30.48	36.55				
651	1718290	D	IPC 5/5-STGCL-7,62	5	22.90	38.10	36.55				
651	1718300	D	IPC 5/6-STGCL-7,62	6	22.90	45.72	36.55				
651	1718313	D	IPC 5/7-STGCL-7,62	7	22.90	53.34	36.55				
651	1718326	D	IPC 5/8-STGCL-7,62	8	22.90	60.96	36.55				

POWER PCB TERMINAL BLOCK WITH LEVER

- Fast wire connection saves time and money
- Wire Range: 18-4AWG
- Voltage:
 - 70A 600V, UL for 15mm
 - 66A 300V, UL for 10mm
 - 60A 600V, UL for zigzag pinning 10mm
- Maximum Current: 70A



Horizontal 10mm spacing

For quantities greater than listed, call for quote.

MOUSER STOCK NO.		Fig.	Phoenix Type	Pos.	Dimensions: mm			Price Each			
Mfr.	Mfr. Part No.				A	B	C	1	10	50	100
651	1770393	E	PLH 16/2-10	2	29.00	21.40	25.00				
651	1770403	E	PLH 16/3-10	3	29.00	31.40	25.00				
651	1770416	E	PLH 16/4-10	4	29.00	41.40	25.00				
651	1770429	E	PLH 16/5-10	5	29.00	51.40	25.00				
651	1770432	E	PLH 16/6-10	6	29.00	61.40	25.00				
651	1770445	E	PLH 16/7-10	7	29.00	71.40	25.00				
651	1770458	E	PLH 16/8-10	8	29.00	81.40	25.00				

Horizontal with zigzag pinning 10mm spacing

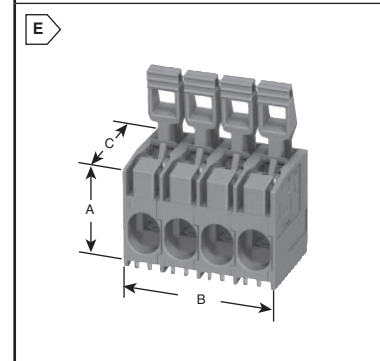
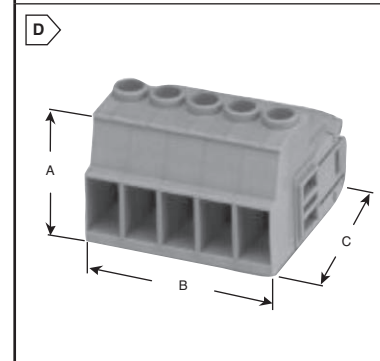
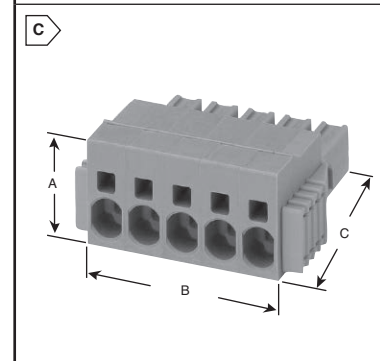
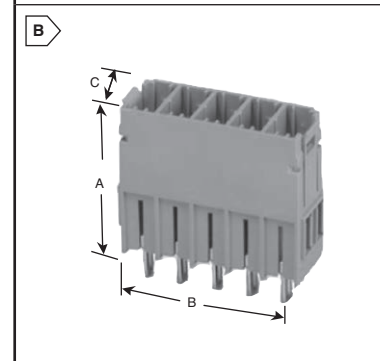
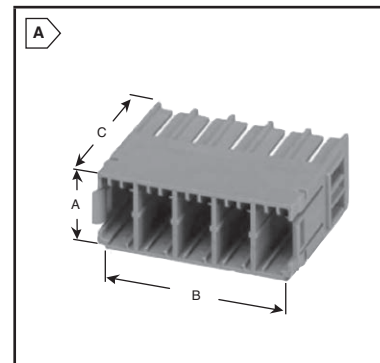
For quantities greater than listed, call for quote.

MOUSER STOCK NO.		Fig.	Phoenix Type	Pos.	Dimensions: mm			Price Each			
Mfr.	Mfr. Part No.				A	B	C	1	10	50	100
651	1770461	E	PLH 16/2-10-ZF	2	29.00	21.40	25.00				
651	1770474	E	PLH 16/3-10-ZF	3	29.00	31.40	25.00				
651	1770487	E	PLH 16/4-10-ZF	4	29.00	41.40	25.00				
651	1770490	E	PLH 16/5-10-ZF	5	29.00	51.40	25.00				
651	1770500	E	PLH 16/6-10-ZF	6	29.00	61.40	25.00				
651	1770513	E	PLH 16/7-10-ZF	7	29.00	71.40	25.00				
651	1770526	E	PLH 16/8-10-ZF	8	29.00	81.40	25.00				

Horizontal 15mm spacing

For quantities greater than listed, call for quote.

MOUSER STOCK NO.		Fig.	Phoenix Type	Pos.	Dimensions: mm			Price Each			
Mfr.	Mfr. Part No.				A	B	C	1	10	50	100
651	1770539	E	PLH 16/2-15	2	29.00	26.40	25.00				
651	1770542	E	PLH 16/3-15	3	29.00	41.40	25.00				
651	1770555	E	PLH 16/4-15	4	29.00	56.40	25.00				
651	1770568	E	PLH 16/5-15	5	29.00	71.40	25.00				
651	1770571	E	PLH 16/6-15	6	29.00	86.40	25.00				
651	1770584	E	PLH 16/7-15	7	29.00	101.40	25.00				
651	1770597	E	PLH 16/8-15	8	29.00	116.40	25.00				



Terminal Blocks

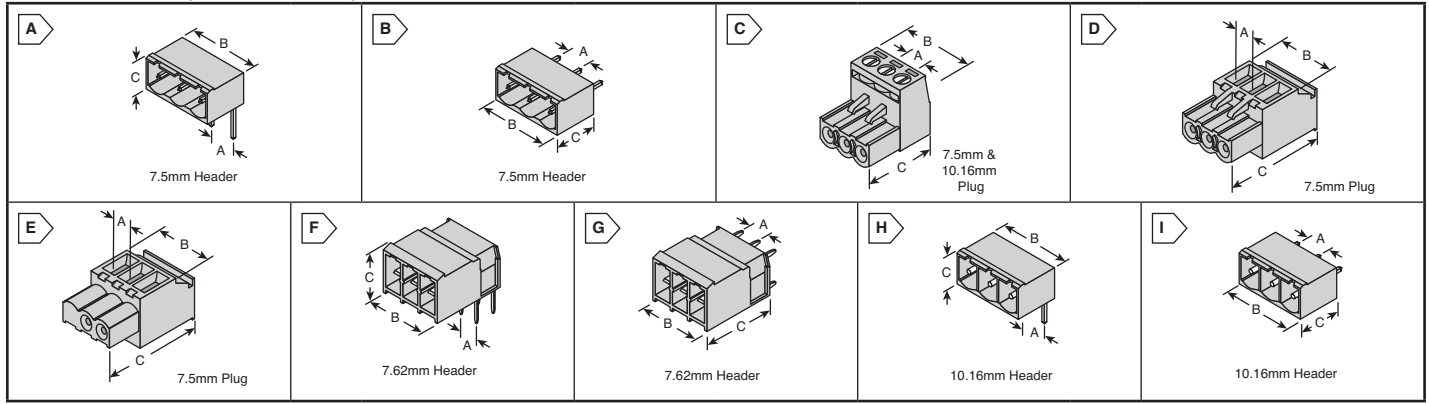
Phoenix Contact

PHOENIX CONTACT Pluggable PCB Terminal Blocks



RoHS Compliant This product is RoHS compliant.

(7.5mm, 7.62mm, 10.16mm and 15.00mm)



7.5MM HEADERS

Single Level, Through-Hole Solder Mounting



• RoHS compliant per Phoenix documentation

For quantities greater than listed, call for quote.

MOUSER STOCK NO.		Fig.	Phoenix Type	No. of Pos.	Dimensions: mm			Price Each		
Mfr.	Mfr. Part No.				A	B	C	1	10	50
90° Socket-to-Pin Orientation UL:300V @ 10A, Green Color										
651-1766343		A	GMSTBA 2.5/2-G	2	7.5	15.0	8.6			
651-1766356		A	GMSTBA 2.5/3-G	3	7.5	22.5	8.6			
651-1766369		A	GMSTBA 2.5/4-G	4	7.5	30.0	8.6			
651-1766372		A	GMSTBA 2.5/5-G	5	7.5	37.5	8.6			
651-1766385		A	GMSTBA 2.5/6-G	6	7.5	45.0	8.6			
651-1766398		A	GMSTBA 2.5/7-G	7	7.5	52.5	8.6			
651-1766411		A	GMSTBA 2.5/9-G	9	7.5	67.5	8.6			
651-1766424		A	GMSTBA 2.5/10-G	10	7.5	75.0	8.6			
651-1766440		A	GMSTBA 2.5/12-G	12	7.5	90.0	8.6			
180° Socket-to-Pin Orientation UL:300V @ 10A, Green Color										
651-1766660		B	GMSTBVA 2.5/2-G	2	7.5	15.0	12.0			
651-1766673		B	GMSTBVA 2.5/3-G	3	7.5	22.5	12.0			
651-1766686		B	GMSTBVA 2.5/4-G	4	7.5	30.0	12.0			
651-1766699		B	GMSTBVA 2.5/5-G	5	7.5	37.5	12.0			
651-1766709		B	GMSTBVA 2.5/6-G	6	7.5	45.0	12.0			
651-1766712		B	GMSTBVA 2.5/7-G	7	7.5	52.5	12.0			
651-1766725		B	GMSTBVA 2.5/8-G	8	7.5	60.0	12.0			

7.5MM PLUGS

Screw Clamp Wire Termination



• RoHS compliant per Phoenix documentation

For quantities greater than listed, call for quote.

MOUSER STOCK NO.		Fig.	Phoenix Type	No. of Pos.	Dimensions: mm			Price Each		
Mfr.	Mfr. Part No.				A	B	C	1	10	50
180° Wire-to-Plug Orientation UL: 300V @ 10A, 30-12AWG, Green Color										
651-1766880		C	GMSTB 2.5/2-ST	2	7.5	13.0	18.2			
651-1766893		C	GMSTB 2.5/3-ST	3	7.5	20.5	18.2			
651-1766903		C	GMSTB 2.5/4-ST	4	7.5	28.0	18.2			
651-1766916		C	GMSTB 2.5/5-ST	5	7.5	35.5	18.2			
651-1766929		C	GMSTB 2.5/6-ST	6	7.5	43.0	18.2			
651-1766932		C	GMSTB 2.5/7-ST	7	7.5	50.5	18.2			
651-1766945		C	GMSTB 2.5/8-ST	8	7.5	58.0	18.2			
651-1766958		C	GMSTB 2.5/9-ST	9	7.5	65.5	18.2			
651-1766961		C	GMSTB 2.5/10-ST	10	7.5	73.0	18.2			
651-1766987		C	GMSTB 2.5/12-ST	12	7.5	88.0	18.2			
90° Wire-to-Plug Orientation UL: 300V @ 10A, 30-12AWG, Green Color										
651-1737709		D	GMVSTBR 2.5/2-ST	2	7.5	13.0	26.0			
651-1737712		D	GMVSTBR 2.5/3-ST	3	7.5	20.5	26.0			
651-1737725		D	GMVSTBR 2.5/4-ST	4	7.5	28.0	26.0			
651-1737738		D	GMVSTBR 2.5/5-ST	5	7.5	35.5	26.0			
651-1737741		D	GMVSTBR 2.5/6-ST	6	7.5	43.0	26.0			
651-1737767		D	GMVSTBR 2.5/8-ST	8	7.5	58.0	26.0			
651-1737806		D	GMVSTBR 2.5/12-ST	12	7.5	88.0	26.0			
270° Wire-to-Plug Orientation UL: 300V @ 10A, 30-12AWG, Green Color										
651-1737819		E	GMVSTBW 2.5/2-ST	2	7.5	13.0	26.0			
651-1737822		E	GMVSTBW 2.5/3-ST	3	7.5	20.5	26.0			
651-1737835		E	GMVSTBW 2.5/4-ST	4	7.5	28.0	26.0			
651-1737848		E	GMVSTBW 2.5/5-ST	5	7.5	35.5	26.0			
651-1737851		E	GMVSTBW 2.5/6-ST	6	7.5	43.0	26.0			

© Copyright 2014 Mouser Electronics

7.62MM HEADERS

Single Level, Through-Hole Solder Mounting



• RoHS compliant per Phoenix documentation

For quantities greater than listed, call for quote.

MOUSER STOCK NO.		Fig.	Phoenix Type	No. of Pos.	Dimensions: mm			Price Each		
Mfr.	Mfr. Part No.				A	B	C	1	10	50
90° Socket-to-Pin Orientation UL:300V @ 30A and 600V @ 20A, Green Color										
651-1804797		F	PC 4/2-G-7.62	2	7.62	15.22	14.3			
651-1804807		F	PC 4/3-G-7.62	3	7.62	22.84	14.3			
651-1804810		F	PC 4/4-G-7.62	4	7.62	30.46	14.3			
180° Socket-to-Pin Orientation UL:300V @ 30A and 600V @ 20A, Green Color										
651-1804687		G	PCV 4/2-G-7.62	2	7.62	15.22	29.0			
651-1804690		G	PCV 4/3-G-7.62	3	7.62	22.84	29.0			
651-1804700		G	PCV 4/4-G-7.62	4	7.62	30.46	29.0			

10.16MM HEADERS

Single Level, Through-Hole Solder Mounting



• RoHS compliant per Phoenix documentation

For quantities greater than listed, call for quote.

MOUSER STOCK NO.		Fig.	Phoenix Type	No. of Pos.	Dimensions: mm			Price Each		
Mfr.	Mfr. Part No.				A	B	C	1	10	50
90° Socket-to-Pin Orientation UL: 300V @ 55A, Green Color										
651-1998933		H	PC 6-16/2-G1-10.16	2	10.16	23.36	13.4			
651-1998946		H	PC 6-16/3-G1-10.16	3	10.16	33.52	13.4			
651-1998959		H	PC 6-16/4-G1-10.16	4	10.16	43.68	13.4			
180° Socket-to-Pin Orientation UL: 300V @ 55A, Green Color										
651-1998784		I	PCV 6-16/2-G1-10.16	2	10.16	23.36	32.0			
651-1998797		I	PCV 6-16/3-G1-10.16	3	10.16	33.52	32.0			
651-1998807		I	PCV 6-16/4-G1-10.16	4	10.16	43.68	32.0			

10.16MM PLUGS

Screw Clamp Wire Termination



• RoHS compliant per Phoenix documentation

For quantities greater than listed, call for quote.

MOUSER STOCK NO.		Fig.	Phoenix Type	No. of Pos.	Dimensions: mm			Price Each		
Mfr.	Mfr. Part No.				A	B	C	1	10	50
180° Wire-to-Plug Orientation UL: 300V @ 55A, 20-6AWG, Green Color										
651-1967375		C	PC 16/2-ST-10.16	2	10.16	20.16	41.5			
651-1967388		C	PC 16/3-ST-10.16	3	10.16	30.32	41.5			
651-1967391		C	PC 16/4-ST-10.16	4	10.16	40.48	41.5			

15.00MM HEADERS & PLUGS

• Headers are Single level through hole solder mounting
• Plugs feature screw clamp wire termination



For quantities greater than listed, call for quote.

MOUSER STOCK NO.		Fig.	Phoenix Type	No. of Pos.	Dimensions: mm			Price Each		
Mfr.	Mfr. Part No.				A	B	C	1	10	50
Header: 90° Socket-to-Pin Orientation 1000V @ 125A, Green Color										
651-1762741		C	PC 35 HC/2-GF-15.00	2	15.00	55.40	38.00			
651-1762767		C	PC 35 HC/4-GF-15.00	4	15.00	84.40	38.00			
Plug: 180° Socket-to-Pin Orientation 1000V @ 125A, Green Color										
651-1762592		I	PC35 HC/2-STF-15.00	2	15.00	55.40	52.00			
651-1762615		I	PC35 HC/4-STF-15.00	4	15.00	84.40	52.00			

© Copyright 2014 Mouser Electronics

PHOENIX CONTACT Pluggable Terminal Blocks



This product is RoHS compliant.

(3.81mm and 5.08mm)

3.81MM PLUGGABLE TERMINAL BLOCKS WITH SCREW FLANGES

- RoHS Compliant per Phoenix documentation
- Color: Green
- Max. Voltage: 300V
- Captive Screws
- Max Current: 8A



Plugs with Screw Flange - Wire Size: 30-16AWG - Screw Clamp Wire Termination

For quantities greater than listed, call for quote.

MOUSER STOCK NO.		Fig.	Phoenix Type	No. of Pos.	Dimensions: mm			Price Each			
Mfr.	Mfr. Part No.				A	B	C	1	10	50	100
651	1827703	A	MC 1.5/2-STF-3.81	2	3.81	8.41	9.50				
651	1827716	A	MC 1.5/3-STF-3.81	3	3.81	12.22	9.50				
651	1827729	A	MC 1.5/4-STF-3.81	4	3.81	16.03	9.50				
651	1827732	A	MC 1.5/5-STF-3.81	5	3.81	19.84	9.50				
651	1827745	A	MC 1.5/6-STF-3.81	6	3.81	23.65	9.50				
651	1827761	A	MC 1.5/8-STF-3.81	8	3.81	27.46	9.50				
651	1827787	A	MC 1.5/10-STF-3.81	10	3.81	31.27	9.50				
651	1827800	A	MC 1.5/12-STF-3.81	12	3.81	35.08	9.50				

Horizontal Headers with Threaded Flange

For quantities greater than listed, call for quote.

MOUSER STOCK NO.		Fig.	Phoenix Type	No. of Pos.	Dimensions: mm			Price Each			
Mfr.	Mfr. Part No.				A	B	C	1	10	50	100
651	1827868	B	MC 1.5/2-GF-3.81	2	3.81	18.01	7.25				
651	1827871	B	MC 1.5/3-GF-3.81	3	3.81	21.82	7.25				
651	1827884	B	MC 1.5/4-GF-3.81	4	3.81	25.63	7.25				
651	1827897	B	MC 1.5/5-GF-3.81	5	3.81	29.44	7.25				
651	1827907	B	MC 1.5/6-GF-3.81	6	3.81	33.25	7.25				
651	1827923	B	MC 1.5/8-GF-3.81	8	3.81	37.06	7.25				
651	1827949	B	MC 1.5/10-GF-3.81	10	3.81	40.87	7.25				
651	1827965	B	MC 1.5/12-GF-3.81	12	3.81	44.68	7.25				

Vertical Headers with Threaded Flange

For quantities greater than listed, call for quote.

MOUSER STOCK NO.		Fig.	Phoenix Type	No. of Pos.	Dimensions: mm			Price Each			
Mfr.	Mfr. Part No.				A	B	C	1	10	50	100
651	1830596	C	MCV 1.5/2-GF-3.81	2	3.81	18.01	9.20				
651	1830606	C	MCV 1.5/3-GF-3.81	3	3.81	21.82	9.20				
651	1830619	C	MCV 1.5/4-GF-3.81	4	3.81	25.63	9.20				
651	1830622	C	MCV 1.5/5-GF-3.81	5	3.81	29.44	9.20				
651	1830635	C	MCV 1.5/6-GF-3.81	6	3.81	33.25	9.20				
651	1830651	C	MCV 1.5/8-GF-3.81	8	3.81	37.06	9.20				
651	1830677	C	MCV 1.5/10-GF-3.81	10	3.81	40.87	9.20				
651	1830693	C	MCV 1.5/12-GF-3.81	12	3.81	44.68	9.20				

5.08MM PLUGGABLE TERMINAL BLOCKS WITH SCREW FLANGES

- RoHS Compliant per Phoenix documentation
- Color: Green
- Max. Voltage: 300V
- Captive Screws
- Max Current: 10A



Plugs with Screw Flange - Wire Size: 30-12 AWG - Screw Clamp Wire Termination

For quantities greater than listed, call for quote.

MOUSER STOCK NO.		Fig.	Phoenix Type	No. of Pos.	Dimensions: mm			Price Each			
Mfr.	Mfr. Part No.				A	B	C	1	10	50	100
651	1777989	A	MSTB 2.5/2-STF-5.08	2	5.08	20.32	9.90				
651	1777992	A	MSTB 2.5/3-STF-5.08	3	5.08	25.40	9.90				
651	1778001	A	MSTB 2.5/4-STF-5.08	4	5.08	30.48	9.90				
651	1778014	A	MSTB 2.5/5-STF-5.08	5	5.08	35.56	9.90				
651	1778027	A	MSTB 2.5/6-STF-5.08	6	5.08	40.64	9.90				
651	1778043	A	MSTB 2.5/8-STF-5.08	8	5.08	45.72	9.90				
651	1778069	A	MSTB 2.5/10-STF-5.08	10	5.08	50.80	9.90				

Horizontal Headers with Threaded Flange

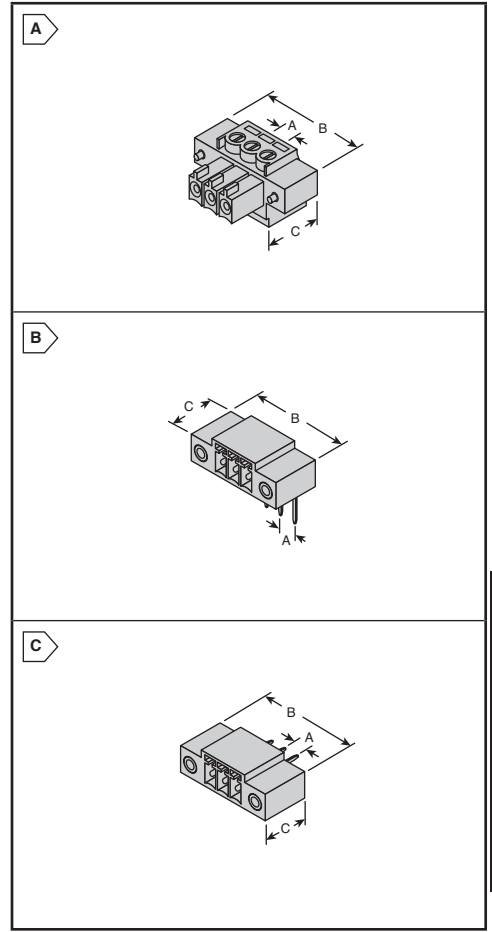
For quantities greater than listed, call for quote.

MOUSER STOCK NO.		Fig.	Phoenix Type	No. of Pos.	Dimensions: mm			Price Each			
Mfr.	Mfr. Part No.				A	B	C	1	10	50	100
651	1776508	B	MSTB 2.5/2-GF-5.08	2	5.08	20.32	8.60				
651	1776511	B	MSTB 2.5/3-GF-5.08	3	5.08	25.40	8.60				
651	1776524	B	MSTB 2.5/4-GF-5.08	4	5.08	30.48	8.60				
651	1776537	B	MSTB 2.5/5-GF-5.08	5	5.08	35.56	8.60				
651	1776540	B	MSTB 2.5/6-GF-5.08	6	5.08	40.64	8.60				
651	1776566	B	MSTB 2.5/8-GF-5.08	8	5.08	45.72	8.60				
651	1776582	B	MSTB 2.5/10-GF-5.08	10	5.08	50.80	8.60				

Vertical Headers with Threaded Flange

For quantities greater than listed, call for quote.

MOUSER STOCK NO.		Fig.	Phoenix Type	No. of Pos.	Dimensions: mm			Price Each			
Mfr.	Mfr. Part No.				A	B	C	1	10	50	100
651	1777073	C	MSTBV 2.5/2-GF-5.08	2	5.08	20.32	12.00				
651	1777086	C	MSTBV 2.5/3-GF-5.08	3	5.08	25.40	12.00				
651	1777099	C	MSTBV 2.5/4-GF-5.08	4	5.08	30.48	12.00				
651	1777109	C	MSTBV 2.5/5-GF-5.08	5	5.08	35.56	12.00				
651	1777112	C	MSTBV 2.5/6-GF-5.08	6	5.08	40.64	12.00				
651	1777138	C	MSTBV 2.5/8-GF-5.08	8	5.08	45.72	12.00				
651	1777154	C	MSTBV 2.5/10-GF-5.08	10	5.08	50.80	12.00				



Terminal Blocks

Phoenix Contact

PHOENIX CONTACT PCB Terminal Blocks



RoHS Compliant This product is RoHS compliant.

DFMC DMC(V) SERIES TERMINAL BLOCKS

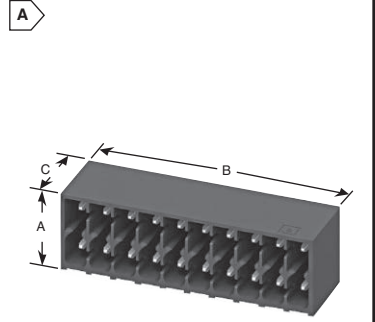
Features:

- Push-in spring technology for fast wire assembly
- 20% space saving on the PCB
- Insert molded header with accurate pin placement for high pick-and-place yields
- Compatible to MC family "footprint"
- Alternative latching options for flexibility in application neederamic package
- 24 to 16 AWG
- 8A and 150V rating
- Spacing: 3.5 mm

3.5mm Horizontal Header, No Latch

For quantities greater than listed, call for quote.

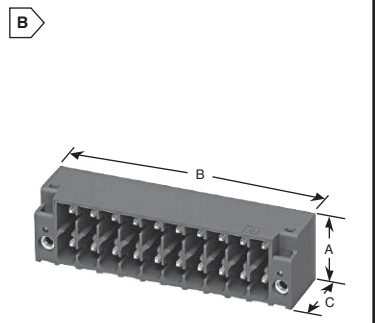
MOUSER STOCK NO.		Phoenix Type	Fig.	No. of Pos.	Dimensions: mm			Price Each			
Mfr.	Mfr. Part No.				A	B	C	1	10	50	100
651	1786837	DMC 1,5/ 2-G1-3,5 P20THR	A	2	10.8	7.80	11.6				
651	1786840	DMC 1,5/ 3-G1-3,5 P20THR	A	3	10.8	11.3	11.6				
651	1786853	DMC 1,5/ 4-G1-3,5 P20THR	A	4	10.8	14.8	11.6				
651	1786866	DMC 1,5/ 5-G1-3,5 P20THR	A	5	10.8	18.3	11.6				
651	1786879	DMC 1,5/ 6-G1-3,5 P20THR	A	6	10.8	21.8	11.6				
651	1786882	DMC 1,5/ 7-G1-3,5 P20THR	A	7	10.8	25.3	11.6				
651	1786895	DMC 1,5/ 8-G1-3,5 P20THR	A	8	10.8	28.8	11.6				
651	1786905	DMC 1,5/ 9-G1-3,5 P20THR	A	9	10.8	32.3	11.6				
651	1786918	DMC 1,5/ 10-G1-3,5 P20THR	A	10	10.8	35.8	11.6				
651	1786921	DMC 1,5/ 11-G1-3,5 P20THR	A	11	10.8	39.3	11.6				
651	1786934	DMC 1,5/ 12-G1-3,5 P20THR	A	12	10.8	42.8	11.6				
651	1786947	DMC 1,5/ 13-G1-3,5 P20THR	A	13	10.8	46.3	11.6				
651	1786950	DMC 1,5/ 14-G1-3,5 P20THR	A	14	10.8	49.8	11.6				
651	1786963	DMC 1,5/ 15-G1-3,5 P20THR	A	15	10.8	53.3	11.6				
651	1786976	DMC 1,5/ 16-G1-3,5 P20THR	A	16	10.8	56.8	11.6				
651	1786989	DMC 1,5/ 17-G1-3,5 P20THR	A	17	10.8	60.3	11.6				
651	1786992	DMC 1,5/ 18-G1-3,5 P20THR	A	18	10.8	63.8	11.6				
651	1787001	DMC 1,5/ 19-G1-3,5 P20THR	A	19	10.8	67.3	11.6				
651	1787580	DMC 1,5/ 20-G1-3,5 P20THR	A	20	10.8	70.8	11.6				



3.5mm Horizontal Header, Screw Latch

For quantities greater than listed, call for quote.

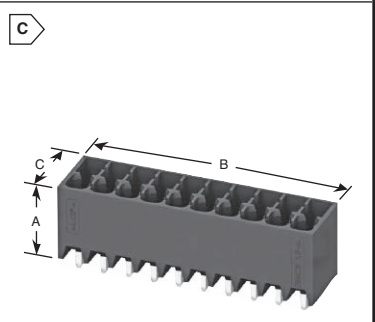
MOUSER STOCK NO.		Phoenix Type	Fig.	No. of Pos.	Dimensions: mm			Price Each			
Mfr.	Mfr. Part No.				A	B	C	1	10	50	100
651	1787014	DMC 1,5/ 2-G1F-3,5-LR P20THR	B	2	10.8	14.0	11.6				
651	1787027	DMC 1,5/ 3-G1F-3,5-LR P20THR	B	3	10.8	17.5	11.6				
651	1787030	DMC 1,5/ 4-G1F-3,5-LR P20THR	B	4	10.8	21.0	11.6				
651	1787043	DMC 1,5/ 5-G1F-3,5-LR P20THR	B	5	10.8	24.5	11.6				
651	1787056	DMC 1,5/ 6-G1F-3,5-LR P20THR	B	6	10.8	28.0	11.6				
651	1787069	DMC 1,5/ 7-G1F-3,5-LR P20THR	B	7	10.8	31.5	11.6				
651	1787072	DMC 1,5/ 8-G1F-3,5-LR P20THR	B	8	10.8	35.0	11.6				
651	1787085	DMC 1,5/ 9-G1F-3,5-LR P20THR	B	9	10.8	38.5	11.6				
651	1787098	DMC 1,5/ 10-G1F-3,5-LR P20THR	B	10	10.8	42.0	11.6				
651	1787108	DMC 1,5/ 11-G1F-3,5-LR P20THR	B	11	10.8	45.5	11.6				
651	1787111	DMC 1,5/ 12-G1F-3,5-LR P20THR	B	12	10.8	49.0	11.6				
651	1787124	DMC 1,5/ 13-G1F-3,5-LR P20THR	B	13	10.8	52.5	11.6				
651	1787137	DMC 1,5/ 14-G1F-3,5-LR P20THR	B	14	10.8	56.0	11.6				
651	1787140	DMC 1,5/ 15-G1F-3,5-LR P20THR	B	15	10.8	59.5	11.6				
651	1787153	DMC 1,5/ 16-G1F-3,5-LR P20THR	B	16	10.8	63.0	11.6				
651	1787166	DMC 1,5/ 17-G1F-3,5-LR P20THR	B	17	10.8	66.5	11.6				
651	1787179	DMC 1,5/ 18-G1F-3,5-LR P20THR	B	18	10.8	70.0	11.6				
651	1787182	DMC 1,5/ 19-G1F-3,5-LR P20THR	B	19	10.8	73.5	11.6				
651	1787195	DMC 1,5/ 20-G1F-3,5-LR P20THR	B	20	10.8	77.0	11.6				



3.5mm Vertical Header, No Latch

For quantities greater than listed, call for quote.

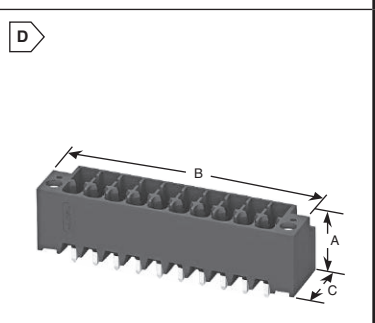
MOUSER STOCK NO.		Phoenix Type	Fig.	No. of Pos.	Dimensions: mm			Price Each			
Mfr.	Mfr. Part No.				A	B	C	1	10	50	100
651	1787205	DMCV 1,5/ 2-G1-3,5 P20THR	C	2	10.8	7.80	11.6				
651	1787218	DMCV 1,5/ 3-G1-3,5 P20THR	C	3	10.8	11.3	11.6				
651	1787221	DMCV 1,5/ 4-G1-3,5 P20THR	C	4	10.8	14.8	11.6				
651	1787247	DMCV 1,5/ 6-G1-3,5 P20THR	C	6	10.8	21.8	11.6				
651	1787250	DMCV 1,5/ 7-G1-3,5 P20THR	C	7	10.8	25.3	11.6				
651	1787263	DMCV 1,5/ 8-G1-3,5 P20THR	C	8	10.8	28.8	11.6				
651	1787276	DMCV 1,5/ 9-G1-3,5 P20THR	C	9	10.8	32.3	11.6				
651	1787289	DMCV 1,5/ 10-G1-3,5 P20THR	C	10	10.8	35.8	11.6				
651	1787292	DMCV 1,5/ 11-G1-3,5 P20THR	C	11	10.8	39.3	11.6				
651	1787302	DMCV 1,5/ 12-G1-3,5 P20THR	C	12	10.8	42.8	11.6				
651	1787315	DMCV 1,5/ 13-G1-3,5 P20THR	C	13	10.8	46.3	11.6				
651	1787328	DMCV 1,5/ 14-G1-3,5 P20THR	C	14	10.8	49.8	11.6				
651	1787331	DMCV 1,5/ 15-G1-3,5 P20THR	C	15	10.8	53.3	11.6				
651	1787344	DMCV 1,5/ 16-G1-3,5 P20THR	C	16	10.8	56.8	11.6				
651	1787357	DMCV 1,5/ 17-G1-3,5 P20THR	C	17	10.8	60.3	11.6				
651	1787360	DMCV 1,5/ 18-G1-3,5 P20THR	C	18	10.8	63.8	11.6				
651	1787373	DMCV 1,5/ 19-G1-3,5 P20THR	C	19	10.8	67.3	11.6				
651	1787386	DMCV 1,5/ 20-G1-3,5 P20THR	C	20	10.8	70.8	11.6				



3.5mm Vertical Header, Screw Latch

For quantities greater than listed, call for quote.

MOUSER STOCK NO.		Phoenix Type	Fig.	No. of Pos.	Dimensions: mm			Price Each			
Mfr.	Mfr. Part No.				A	B	C	1	10	50	100
651	1787399	DMCV 1,5/ 2-G1F-3,5-LR P20THR	D	2	10	14.0	10.6				
651	1787409	DMCV 1,5/ 3-G1F-3,5-LR P20THR	D	3	10	17.5	10.6				
651	1787412	DMCV 1,5/ 4-G1F-3,5-LR P20THR	D	4	10	21.0	10.6				
651	1787425	DMCV 1,5/ 5-G1F-3,5-LR P20THR	D	5	10	24.5	10.6				
651	1787438	DMCV 1,5/ 6-G1F-3,5-LR P20THR	D	6	10	28.0	10.6				
651	1787441	DMCV 1,5/ 7-G1F-3,5-LR P20THR	D	7	10	31.5	10.6				
651	1787454	DMCV 1,5/ 8-G1F-3,5-LR P20THR	D	8	10	35.0	10.6				
651	1787467	DMCV 1,5/ 9-G1F-3,5-LR P20THR	D	9	10	38.5	10.6				
651	1787470	DMCV 1,5/ 10-G1F-3,5-LR P20THR	D	10	10	42.0	10.6				
651	1787483	DMCV 1,5/ 11-G1F-3,5-LR P20THR	D	11	10	45.5	10.6				
651	1787496	DMCV 1,5/ 12-G1F-3,5-LR P20THR	D	12	10	49.0	10.6				
651	1787506	DMCV 1,5/ 13-G1F-3,5-LR P20THR	D	13	10	52.5	10.6				
651	1787519	DMCV 1,5/ 14-G1F-3,5-LR P20THR	D	14	10	56.0	10.6				
651	1787522	DMCV 1,5/ 15-G1F-3,5-LR P20THR	D	15	10	59.5	10.6				
651	1787535	DMCV 1,5/ 16-G1F-3,5-LR P20THR	D	16	10	63.0	10.6				
651	1787548	DMCV 1,5/ 17-G1F-3,5-LR P20THR	D	17	10	66.5	10.6				
651	1787551	DMCV 1,5/ 18-G1F-3,5-LR P20THR	D	18	10	70.0	10.6				
651	1787564	DMCV 1,5/ 19-G1F-3,5-LR P20THR	D	19	10	73.5	10.6				
651	1787577	DMCV 1,5/ 20-G1F-3,5-LR P20THR	D	20	10	77.0	10.6				



Phoenix Contact Terminal Blocks

PHOENIX CONTACT PCB Terminal Blocks



RoHS Compliant This product is RoHS compliant.

DFMC DMC(V) SERIES TERMINAL BLOCKS (CONT.)

Features:

- Push-in spring technology for fast wire assembly
- 20% space saving on the PCB
- Insert molded header with accurate pin placement for high pick-and-place yields
- Compatible to MC family "footprint"
- Alternative latching options for flexibility in application neederamic package
- 24 to 16AWG
- 8A and 150V rating
- Spacing: 3.5mm

3.5mm Plug, No Latch

For quantities greater than listed, call for quote.

MOUSER STOCK NO.		Phoenix Type	Fig.	No. of Pos.	Dimensions: mm				Price Each			
Mfr.	Mfr. Part No.				A	B	C	D	1	10	50	100
651	1790108	DFMC 1,5/2-ST-3,5	A	2	13.25	7.80	15.6	22.65				
651	1790111	DFMC 1,5/3-ST-3,5	A	3	13.25	11.3	15.6	22.65				
651	1790124	DFMC 1,5/4-ST-3,5	A	4	13.25	14.8	15.6	22.65				
651	1790137	DFMC 1,5/5-ST-3,5	A	5	13.25	18.3	15.6	22.65				
651	1790140	DFMC 1,5/6-ST-3,5	A	6	13.25	21.8	15.6	22.65				
651	1790153	DFMC 1,5/7-ST-3,5	A	7	13.25	25.3	15.6	22.65				
651	1790166	DFMC 1,5/8-ST-3,5	A	8	13.25	28.8	15.6	22.65				
651	1790179	DFMC 1,5/9-ST-3,5	A	9	13.25	32.3	15.6	22.65				
651	1790182	DFMC 1,5/10-ST-3,5	A	10	13.25	35.8	15.6	22.65				
651	1790195	DFMC 1,5/11-ST-3,5	A	11	13.25	39.3	15.6	22.65				
651	1790205	DFMC 1,5/12-ST-3,5	A	12	13.25	42.8	15.6	22.65				
651	1790218	DFMC 1,5/13-ST-3,5	A	13	13.25	46.3	15.6	22.65				
651	1790221	DFMC 1,5/14-ST-3,5	A	14	13.25	49.8	15.6	22.65				
651	1790234	DFMC 1,5/15-ST-3,5	A	15	13.25	53.3	15.6	22.65				
651	1790247	DFMC 1,5/16-ST-3,5	A	16	13.25	56.8	15.6	22.65				
651	1790250	DFMC 1,5/17-ST-3,5	A	17	13.25	60.3	15.6	22.65				
651	1790263	DFMC 1,5/18-ST-3,5	A	18	13.25	63.8	15.6	22.65				
651	1790276	DFMC 1,5/19-ST-3,5	A	19	13.25	67.3	15.6	22.65				
651	1790289	DFMC 1,5/20-ST-3,5	A	20	13.25	70.8	15.6	22.65				

3.5mm Plug, Screw Latch

For quantities greater than listed, call for quote.

MOUSER STOCK NO.		Phoenix Type	Fig.	No. of Pos.	Dimensions: mm				Price Each			
Mfr.	Mfr. Part No.				A	B	C	D	1	10	50	100
651	1790292	DFMC 1,5/2-STF-3,5	B	2	13.25	14.00	15.6	22.65				
651	1790302	DFMC 1,5/3-STF-3,5	B	3	13.25	17.50	15.6	22.65				
651	1790315	DFMC 1,5/4-STF-3,5	B	4	13.25	21.00	15.6	22.65				
651	1790328	DFMC 1,5/5-STF-3,5	B	5	13.25	24.50	15.6	22.65				
651	1790331	DFMC 1,5/6-STF-3,5	B	6	13.25	28.00	15.6	22.65				
651	1790344	DFMC 1,5/7-STF-3,5	B	7	13.25	31.50	15.6	22.65				
651	1790357	DFMC 1,5/8-STF-3,5	B	8	13.25	35.00	15.6	22.65				
651	1790360	DFMC 1,5/9-STF-3,5	B	9	13.25	38.50	15.6	22.65				
651	1790373	DFMC 1,5/10-STF-3,5	B	10	13.25	42.00	15.6	22.65				
651	1790386	DFMC 1,5/11-STF-3,5	B	11	13.25	45.50	15.6	22.65				
651	1790399	DFMC 1,5/12-STF-3,5	B	12	13.25	49.00	15.6	22.65				
651	1790409	DFMC 1,5/13-STF-3,5	B	13	13.25	52.50	15.6	22.65				
651	1790412	DFMC 1,5/14-STF-3,5	B	14	13.25	56.00	15.6	22.65				
651	1790438	DFMC 1,5/16-STF-3,5	B	16	13.25	63.00	15.6	22.65				
651	1790441	DFMC 1,5/17-STF-3,5	B	17	13.25	66.50	15.6	22.65				
651	1790454	DFMC 1,5/18-STF-3,5	B	18	13.25	70.00	15.6	22.65				
651	1790467	DFMC 1,5/19-STF-3,5	B	19	13.25	73.50	15.6	22.65				
651	1790470	DFMC 1,5/20-STF-3,5	B	20	13.25	77.00	15.6	22.65				

3.5mm Plug, Lock-and-Release Latch

For quantities greater than listed, call for quote.

MOUSER STOCK NO.		Phoenix Type	Fig.	No. of Pos.	Dimensions: mm				Price Each			
Mfr.	Mfr. Part No.				A	B	C	D	1	10	50	100
651	1790483	DFMC 1,5/2-ST-3,5-LR	C	2	13.25	7.80	15.6	22.65				
651	1790496	DFMC 1,5/3-ST-3,5-LR	C	3	13.25	11.3	15.6	22.65				
651	1790506	DFMC 1,5/4-ST-3,5-LR	C	4	13.25	14.8	15.6	22.65				
651	1790519	DFMC 1,5/5-ST-3,5-LR	C	5	13.25	18.3	15.6	22.65				
651	1790522	DFMC 1,5/6-ST-3,5-LR	C	6	13.25	21.8	15.6	22.65				
651	1790535	DFMC 1,5/7-ST-3,5-LR	C	7	13.25	25.3	15.6	22.65				
651	1790548	DFMC 1,5/8-ST-3,5-LR	C	8	13.25	28.8	15.6	22.65				
651	1790551	DFMC 1,5/9-ST-3,5-LR	C	9	13.25	32.3	15.6	22.65				
651	1790564	DFMC 1,5/10-ST-3,5-LR	C	10	13.25	35.8	15.6	22.65				
651	1790577	DFMC 1,5/11-ST-3,5-LR	C	11	13.25	39.3	15.6	22.65				
651	1790580	DFMC 1,5/12-ST-3,5-LR	C	12	13.25	42.8	15.6	22.65				
651	1790593	DFMC 1,5/13-ST-3,5-LR	C	13	13.25	46.3	15.6	22.65				
651	1790603	DFMC 1,5/14-ST-3,5-LR	C	14	13.25	49.8	15.6	22.65				
651	1790616	DFMC 1,5/15-ST-3,5-LR	C	15	13.25	53.3	15.6	22.65				
651	1790629	DFMC 1,5/16-ST-3,5-LR	C	16	13.25	56.8	15.6	22.65				
651	1790632	DFMC 1,5/17-ST-3,5-LR	C	17	13.25	60.3	15.6	22.65				
651	1790645	DFMC 1,5/18-ST-3,5-LR	C	18	13.25	63.8	15.6	22.65				
651	1790658	DFMC 1,5/19-ST-3,5-LR	C	19	13.25	67.3	15.6	22.65				
651	1790661	DFMC 1,5/20-ST-3,5-LR	C	20	13.25	70.8	15.6	22.65				

FKDSO 5.0MM SPRING-CAGE PCB TERMINAL BLOCKS

Features:

- Conductors can be easily wired without tools
- Fast connection and removal of conductors
- Pinning identical to the MKDSO (orthogonal screw PCB terminal block)
- 2, 3, and 4-position terminal block versions
- The FKDSO has a pin spacing of 5.0 mm
- UL Use Group D: 10A (amperage)300V (voltage)
- For use in 12.5, 17.5, 22.5, 35, and 45 mm ME(MAX) housings

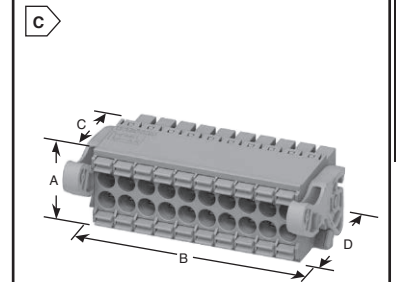
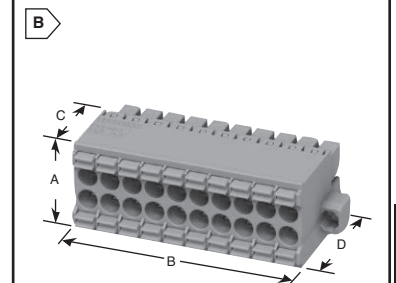
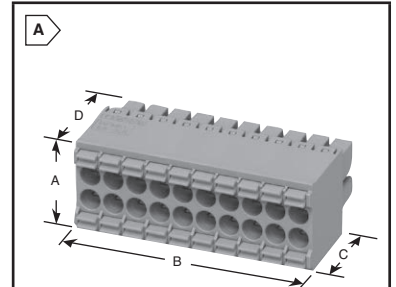
For quantities greater than listed, call for quote.

MOUSER STOCK NO.		Phoenix Type	Fig.	Description	Price Each			
Mfr.	Mfr. Part No.				1	10	50	100
651	2200315	FKDSO 2,5/ 2-R	D	2-position block, right-hand side				
651	2200316	FKDSO 2,5/ 2-L	D	2-position block, left-hand side				
651	2200317	FKDSO 2,5/ 3-R	D	3-position block, right-hand side				
651	2200318	FKDSO 2,5/ 3-L	D	3-position block, left-hand side				
651	2200319	FKDSO 2,5/ 4-R	D	4-position block, right-hand side				
651	2200320	FKDSO 2,5/ 4-L	D	4-position block, left-hand side				

Housings

For quantities greater than listed, call for quote.

MOUSER STOCK NO.		Phoenix Type	Fig.	Description	Price Each			
Mfr.	Mfr. Part No.				1	10	50	100
651	2200321	ME 12,5 OT-FKDSO	E	ME upper part, 12.5 mm width				
651	2200322	ME 17,5 OT-FKDSO	E	ME upper part, 17.5 mm width				
651	2200323	ME 22,5 OT-FKDSO	E	ME upper part, 22.5 mm width				
651	2200327	ME 45 OT-FKDSO	E	ME upper part, 45 mm width				



Terminal Blocks Phoenix Contact

PHOENIX CONTACT Terminal Blocks



This product is RoHS compliant.

5.08MM LOCK AND RELEASE TERMINAL BLOCKS

- Automatic locking during insertion of the plug into the header
- Ensures convenient ejection of the plug
- Self-explanatory operation
- In case of restricted space, a screwdriver can be used for lever extension
- Headers are compatible with both MSTB -LR and FKC -LR plug connectors
- MSTB -LR plugs with screw style wire termination
- FKC -LR plugs offer fast push in spring wire termination
- 24 to 12 AWG
- 12 A and 300 V rating
- Spacing: 5.08 mm
- Height of plug: 15 mm
- Horizontal header height: 8.6 mm
- Vertical header height: 12 mm

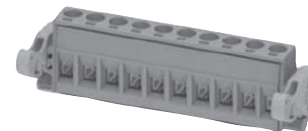


RoHS Compliant

Plugs - Screw Style Termination

For quantities greater than listed, call for quote.

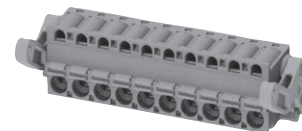
MOUSER STOCK NO.	Phoenix Contact Part No.	Fig.	No. of Pos.	Dimensions: (mm)			Price Each			
				L	W	H	1	10	50	100
651-1808886	MSTB 2.5/ 2-ST-5,08-LR	A	2	19.28	29.3	15				
651-1808899	MSTB 2.5/ 3-ST-5,08-LR	A	3	24.36	29.3	15				
651-1808909	MSTB 2.5/ 4-ST-5,08-LR	A	4	29.44	29.3	15				
651-1808912	MSTB 2.5/ 5-ST-5,08-LR	A	5	34.52	29.3	15				
651-1808925	MSTB 2.5/ 6-ST-5,08-LR	A	6	39.6	29.3	15				
651-1808938	MSTB 2.5/ 7-ST-5,08-LR	A	7	44.68	29.3	15				
651-1808941	MSTB 2.5/ 8-ST-5,08-LR	A	8	49.76	29.3	15				
651-1808954	MSTB 2.5/ 9-ST-5,08-LR	A	9	54.84	29.3	15				
651-1808967	MSTB 2.5/ 10-ST-5,08-LR	A	10	59.92	29.3	15				
651-1808970	MSTB 2.5/ 11-ST-5,08-LR	A	11	65	29.3	15				
651-1808983	MSTB 2.5/ 12-ST-5,08-LR	A	12	70.08	29.3	15				
651-1808996	MSTB 2.5/ 13-ST-5,08-LR	A	13	75.16	29.3	15				
651-1809005	MSTB 2.5/ 14-ST-5,08-LR	A	14	80.24	29.3	15				
651-1809018	MSTB 2.5/ 15-ST-5,08-LR	A	15	85.32	29.3	15				
651-1809021	MSTB 2.5/ 16-ST-5,08-LR	A	16	90.4	29.3	15				



Plugs - Push-In Spring Termination

For quantities greater than listed, call for quote.

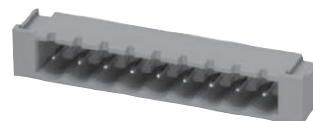
MOUSER STOCK NO.	Phoenix Contact Part No.	Fig.	No. of Pos.	Dimensions: (mm)			Price Each			
				L	W	H	1	10	50	100
651-1792517	FKC 2.5/2-ST-5,08-LR	B	2	19.68	33.5	15				
651-1792520	FKC 2.5/3-ST-5,08-LR	B	3	24.76	33.5	15				
651-1792533	FKC 2.5/4-ST-5,08-LR	B	4	29.84	33.5	15				
651-1792546	FKC 2.5/5-ST-5,08-LR	B	5	34.92	33.5	15				
651-1792559	FKC 2.5/6-ST-5,08-LR	B	6	40	33.5	15				
651-1792562	FKC 2.5/7-ST-5,08-LR	B	7	45.08	33.5	15				
651-1792575	FKC 2.5/8-ST-5,08-LR	B	8	50.16	33.5	15				
651-1792588	FKC 2.5/9-ST-5,08-LR	B	9	55.24	33.5	15				
651-1792591	FKC 2.5/10-ST-5,08-LR	B	10	60.32	33.5	15				
651-1792601	FKC 2.5/11-ST-5,08-LR	B	11	65.4	33.5	15				
651-1792614	FKC 2.5/12-ST-5,08-LR	B	12	70.48	33.5	15				



Headers - Right Angle

For quantities greater than listed, call for quote.

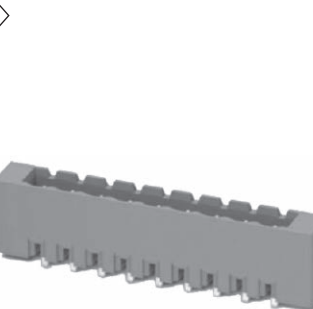
MOUSER STOCK NO.	Phoenix Contact Part No.	Fig.	No. of Pos.	Dimensions: (mm)			Price Each			
				L	W	H	1	10	50	100
651-1809076	MSTBA 2.5/2-G-5,08-LR	C	2	20.32	12	8.6				
651-1809089	MSTBA 2.5/3-G-5,08-LR	C	3	25.4	12	8.6				
651-1809092	MSTBA 2.5/4-G-5,08-LR	C	4	30.48	12	8.6				
651-1809102	MSTBA 2.5/5-G-5,08-LR	C	5	35.56	12	8.6				
651-1809115	MSTBA 2.5/6-G-5,08-LR	C	6	40.64	12	8.6				
651-1809128	MSTBA 2.5/7-G-5,08-LR	C	7	45.72	12	8.6				
651-1809131	MSTBA 2.5/8-G-5,08-LR	C	8	50.8	12	8.6				
651-1809144	MSTBA 2.5/9-G-5,08-LR	C	9	55.88	12	8.6				
651-1809157	MSTBA 2.5/10-G-5,08-LR	C	10	60.96	12	8.6				
651-1809160	MSTBA 2.5/11-G-5,08-LR	C	11	66.04	12	8.6				
651-1809173	MSTBA 2.5/12-G-5,08-LR	C	12	71.12	12	8.6				
651-1809186	MSTBA 2.5/13-G-5,08-LR	C	13	76.2	12	8.6				
651-1809199	MSTBA 2.5/14-G-5,08-LR	C	14	81.28	12	8.6				
651-1809209	MSTBA 2.5/15-G-5,08-LR	C	15	86.36	12	8.6				
651-1809212	MSTBA 2.5/16-G-5,08-LR	C	16	91.44	12	8.6				
651-1809225	MSTBA 2.5/17-G-5,08-LR	C	17	96.52	12	8.6				
651-1809238	MSTBA 2.5/18-G-5,08-LR	C	18	101.6	12	8.6				
651-1809241	MSTBA 2.5/19-G-5,08-LR	C	19	106.68	12	8.6				
651-1809254	MSTBA 2.5/20-G-5,08-LR	C	20	111.76	12	8.6				



Headers - Vertical

For quantities greater than listed, call for quote.

MOUSER STOCK NO.	Phoenix Contact Part No.	Fig.	No. of Pos.	Dimensions: (mm)			Price Each			
				L	W	H	1	10	50	100
651-1809267	MSTBVA 2.5/2-G-5,08-LR	D	2	20.32	8.6	12				
651-1809270	MSTBVA 2.5/3-G-5,08-LR	D	3	25.4	8.6	12				
651-1809283	MSTBVA 2.5/4-G-5,08-LR	D	4	30.48	8.6	12				
651-1809296	MSTBVA 2.5/5-G-5,08-LR	D	5	35.56	8.6	12				
651-1809306	MSTBVA 2.5/6-G-5,08-LR	D	6	40.64	8.6	12				
651-1809319	MSTBVA 2.5/7-G-5,08-LR	D	7	45.72	8.6	12				
651-1809322	MSTBVA 2.5/8-G-5,08-LR	D	8	50.8	8.6	12				
651-1809335	MSTBVA 2.5/9-G-5,08-LR	D	9	55.88	8.6	12				
651-1809348	MSTBVA 2.5/10-G-5,08-LR	D	10	60.96	8.6	12				
651-1809351	MSTBVA 2.5/11-G-5,08-LR	D	11	66.04	8.6	12				
651-1809364	MSTBVA 2.5/12-G-5,08-LR	D	12	71.12	8.6	12				
651-1809377	MSTBVA 2.5/13-G-5,08-LR	D	13	76.2	8.6	12				
651-1809380	MSTBVA 2.5/14-G-5,08-LR	D	14	81.28	8.6	12				
651-1809393	MSTBVA 2.5/15-G-5,08-LR	D	15	86.36	8.6	12				
651-1809403	MSTBVA 2.5/16-G-5,08-LR	D	16	91.44	8.6	12				
651-1809416	MSTBVA 2.5/17-G-5,08-LR	D	17	96.52	8.6	12				
651-1809429	MSTBVA 2.5/18-G-5,08-LR	D	18	101.6	8.6	12				
651-1809432	MSTBVA 2.5/19-G-5,08-LR	D	19	106.68	8.6	12				
651-1809445	MSTBVA 2.5/20-G-5,08-LR	D	20	111.76	8.6	12				



NEW AT MOUSER

NEW AT MOUSER

Terminal Blocks

Phoenix Contact

NEW AT MOUSER

PHOENIX CONTACT Interface Modules



RoHS Compliant This product is RoHS compliant.

VARIOFACE MODULES FOR FLAT RIBBON PLUG CONNECTORS

- FLK Plug connectors connect all signals 1:1
- ZB Channel for flexible module marking with CLIPLINE accessories
- Screw Connection for discrete wiring
- Designed to mount on Din-Rail NS 35/7.5 or NS 32

For quantities greater than listed, call for quote.

MOUSER STOCK NO.		Fig.	Phoenix Type	No. of Pos.	No. of Levels	Gender	AWG	Dimensions W x L x H (mm)	Price Each		
Mfr.	Mfr. Part No.								1	5	10
651	—2315010	A	VIP-2/SC/FLK10	10	2	Male	24-12	35 x 65 x 50			
651	—2315023	A	VIP-2/SC/FLK14	14	2	Male	24-12	40 x 65 x 50			
651	—2315036	A	VIP-2/SC/FLK16	16	2	Male	24-12	45 x 65 x 50			
651	—2315049	A	VIP-2/SC/FLK20	20	2	Male	24-12	55 x 65 x 50			
651	—2315052	A	VIP-3/SC/FLK26	26	3	Male	24-12	58 x 69 x 61			
651	—2315065	A	VIP-3/SC/FLK34	34	3	Male	24-12	68 x 69 x 61			
651	—2315078	A	VIP-3/SC/FLK40	40	3	Male	24-12	78 x 69 x 61			
651	—2315081	A	VIP-3/SC/FLK50	50	3	Male	24-12	93 x 69 x 61			
651	—2315094	A	VIP-3/SC/FLK60	60	3	Male	24-12	108 x 69 x 61			
651	—2315104	A	VIP-3/SC/FLK64	64	3	Male	24-12	118 x 69 x 61			

VARIOFACE MODULES FOR FLAT RIBBON PLUGS W/ LED INDICATORS

- Same features as standard Flat Ribbon Plug interface modules but with LED indication when signal is present.

For quantities greater than listed, call for quote.

MOUSER STOCK NO.		Fig.	Phoenix Type	No. of Pos.	No. of Levels	Gender	AWG	Dimensions W x L x H (mm)	Price Each		
Mfr.	Mfr. Part No.								1	5	10
651	—2322061	A	VIP-2/SC/FLK16/LED	16	2	Male	24-12	45 x 65 x 50			
651	—2322074	A	VIP-2/SC/FLK20/LED	20	2	Male	24-12	55 x 65 x 50			
651	—2322087	A	VIP-3/SC/FLK26/LED	26	3	Male	24-12	58 x 69 x 61			
651	—2322090	A	VIP-3/SC/FLK34/LED	34	3	Male	24-12	68 x 69 x 61			
651	—2322100	A	VIP-3/SC/FLK40/LED	40	3	Male	24-12	78 x 69 x 61			
651	—2322113	A	VIP-3/SC/FLK50/LED	50	3	Male	24-12	93 x 69 x 61			
651	—2322126	A	VIP-3/SC/FLK60/LED	60	3	Male	24-12	108 x 69 x 61			
651	—2322139	A	VIP-3/SC/FLK64/LED	64	3	Male	24-12	118 x 69 x 61			

VARIOFACE MODULES FOR D-SUBMINIATURE CONNECTORS

- D-Sub connectors connect all signals 1:1
- ZB Channel for flexible module marking with CLIPLINE accessories
- Screw Connection for discrete wiring
- Designed to mount on Din-Rail NS 35/7.5 or NS 32

For quantities greater than listed, call for quote.

MOUSER STOCK NO.		Fig.	Phoenix Type	No. of Pos.	No. of Levels	Gender	AWG	Dimensions W x L x H (mm)	Price Each		
Mfr.	Mfr. Part No.								1	5	10
651	—2315117	B	VIP-2/SC/D 9SUB/M	9	2	Male	24-12	35 x 65 x 46			
651	—2315120	B	VIP-2/SC/D15SUB/M	15	2	Male	24-12	45 x 65 x 46			
651	—2315133	B	VIP-3/SC/D25SUB/M	25	3	Male	24-12	58 x 69 x 61			
651	—2315146	B	VIP-3/SC/D37SUB/M	37	3	Male	24-12	73 x 69 x 61			
651	—2315159	B	VIP-3/SC/D50SUB/M	50	3	Male	24-12	98 x 69 x 61			
651	—2315162	B	VIP-2/SC/D 9SUB/F	9	2	Female	24-12	35 x 65 x 46			
651	—2315175	B	VIP-2/SC/D15SUB/F	15	2	Female	24-12	45 x 65 x 46			
651	—2315188	B	VIP-3/SC/D25SUB/F	25	3	Female	24-12	58 x 69 x 61			
651	—2315191	B	VIP-3/SC/D37SUB/F	37	3	Female	24-12	73 x 69 x 61			
651	—2315201	B	VIP-3/SC/D50SUB/F	50	3	Female	24-12	98 x 69 x 61			

VARIOFACE MODULES FOR DSUB CONNECTORS W/ LED INDICATORS

- Same features as standard DSUB Interface modules but with LED indication when signal is present.

For quantities greater than listed, call for quote.

MOUSER STOCK NO.		Fig.	Phoenix Type	No. of Pos.	No. of Levels	Gender	AWG	Dimensions W x L x H (mm)	Price Each		
Mfr.	Mfr. Part No.								1	5	10
651	—2322142	B	VIP-2/SC/D 9SUB/M/LED	9	2	Male	24-12	35 x 65 x 50			
651	—2322155	B	VIP-2/SC/D15SUB/M/LED	15	2	Male	24-12	40 x 65 x 50			
651	—2322168	B	VIP-3/SC/D25SUB/M/LED	25	3	Male	24-12	45 x 65 x 50			
651	—2322171	B	VIP-3/SC/D37SUB/M/LED	37	3	Male	24-12	55 x 65 x 50			
651	—2322184	B	VIP-3/SC/D50SUB/M/LED	50	3	Male	24-12	58 x 69 x 61			
651	—2322197	B	VIP-2/SC/D 9SUB/F/LED	9	2	Female	24-12	68 x 69 x 61			
651	—2322207	B	VIP-2/SC/D15SUB/F/LED	15	2	Female	24-12	78 x 69 x 61			
651	—2322210	B	VIP-3/SC/D25SUB/F/LED	25	3	Female	24-12	93 x 69 x 61			
651	—2322223	B	VIP-3/SC/D37SUB/F/LED	37	3	Female	24-12	108 x 69 x 61			
651	—2322236	B	VIP-3/SC/D50SUB/F/LED	50	3	Female	24-12	118 x 69 x 61			

VARIOFACE MODULES FOR HIGH DENSITY DSUB CONNECTORS W/ LED INDICATORS

- Signals connect 1:1
- Allows easy transition from structured cabling to discrete wire
- Screw Connection for discrete wiring
- ZB Channel for flexible module marking with CLIPLINE accessories

For quantities greater than listed, call for quote.

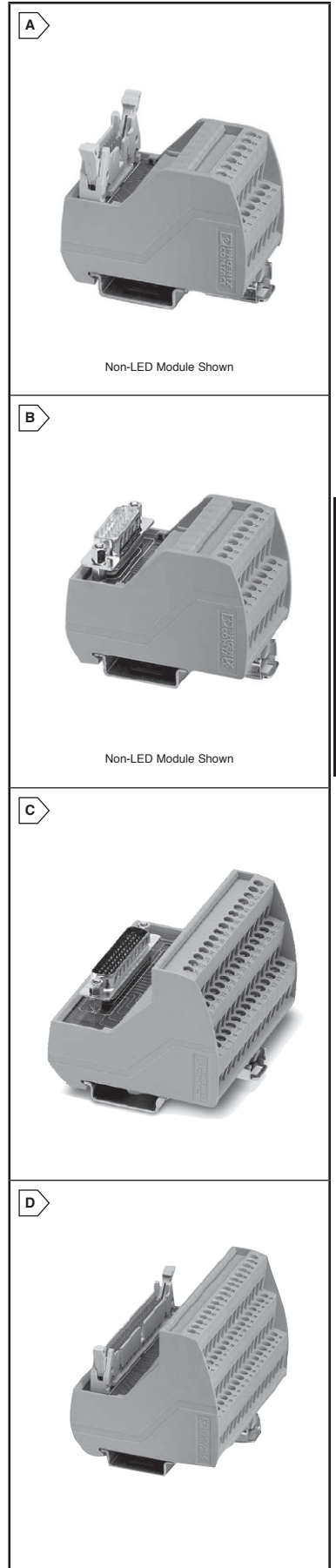
MOUSER STOCK NO.		Fig.	Phoenix Type	No. of Pos.	No. of Levels	Gender	AWG	Dimensions W x L x H (mm)	Price Each		
Mfr.	Mfr. Part No.								1	5	10
651	—2322326	C	VIP-2/SC/HD15SUB/M	15	3	Male	24-12	44.9 x 65.5 x 45.1			
651	—2322375	C	VIP-3/SC/HD26SUB/M	26	3	Male	24-12	52.3 x 69 x 62			
651	—2322388	C	VIP-3/SC/HD44SUB/M	44	3	Male	24-12	82.9 x 69 x 62			
651	—2322391	C	VIP-3/SC/HD62SUB/M	62	3	Male	24-12	113.5 x 69 x 62			
651	—2322401	C	VIP-2/SC/HD15SUB/F	15	3	Female	24-12	44.9 x 65.5 x 45.1			
651	—2322414	C	VIP-3/SC/HD26SUB/F	26	3	Female	24-12	52.3 x 69 x 62			
651	—2322427	C	VIP-3/SC/HD44SUB/F	44	3	Female	24-12	82.9 x 69 x 62			
651	—2322430	C	VIP-3/SC/HD62SUB/F	62	3	Female	24-12	113.5 x 69 x 62			

VARIOFACE MODULES FOR PLC SYSTEMS CABLING

- 2 Modules, 651-2315230 & 651-2315243 are designed in acc. with Siemens SIMATIC® S7-300, including SIMATIC®-specific labeling
- Uses Flat-ribbon cable plug connector in acc. with IEC 60603-13

For quantities greater than listed, call for quote.

MOUSER STOCK NO.		Fig.	Phoenix Type	No. of Pos.	No. of Levels	Gender	AWG	Dimensions W x L x H (mm)	Price Each		
Mfr.	Mfr. Part No.								1	5	10
651	—2315214	D	VIP-2/SC/FLK 14/PLC	14	2	Male	24-12	40 x 65 x 50			
651	—2315227	D	VIP-2/SC/FLK 50/PLC	50	2	Male	24-12	106 x 65 x 50			
651	—2315230	D	VIP-2/SC/2FLK 14(1-20)/S7	14	2	Male	24-12	81 x 65 x 50			
651	—2315243	D	VIP-2/SC/FLK 50(1-40)/S7	50	2	Male	24-12	106 x 65 x 50			



Non-LED Module Shown

Non-LED Module Shown

Terminal Blocks

Phoenix Contact

PHOENIX CONTACT High Current Terminal Blocks



This product is RoHS compliant.

HIGH CURRENT PANEL FEED-THROUGH (PFT) TERMINAL BLOCKS

The newest generation of panel feed-through (PFT) high-current terminal blocks feature high retention forces and multiple mounting options. Manufactured with secure universal screw and ring lug/bolt connection technology, PFT series terminal blocks offer multiple mounting options across a wide range of wire gauges. The blocks snap into panel cut-outs without special tooling. Screw and rivet options can accommodate high mechanical stability for conductors.

Applications:

Designed for use in several industries, PFT series terminal blocks are especially useful within the telecom and power distribution sectors. This series also supports electrical device manufacturers of filters, converters, inverters, transformers, power supplies, and industrial batteries.

UW Connectors



RoHS Compliant

For quantities greater than listed, call for quote.

MOUSER STOCK NO.		Fig.	Phoenix Type	Description	Load Current	Price Each			
Mfr.	Mfr. Part No.					1	10	50	100
651	—3073306	A	UW 4	Universal screw PFT, 4mm ²	41A				
651	—3073319	A	UW 4/S	Screw PFT, 4 mm ² w/alignment pins	41A				
651	—3073322	A	UW 10	Screw PFT, 10mm ²	76A				
651	—3073335	A	UW 10/S	Screw PFT, 10 mm ² w/alignment pins	76A				
651	—3073348	A	UW 16	Screw PFT, 16mm ²	101A				
651	—3073351	A	UW 16/S	Screw PFT, 16 mm ² w/alignment pins	101A				
651	—3073364	A	UW 25	Screw PFT, 25mm ²	125A				
651	—3073377	A	UW 25/S	Screw PFT, 25 mm ² w/alignment pins	125A				

RW Connectors



RoHS Compliant

For quantities greater than listed, call for quote.

MOUSER STOCK NO.		Fig.	Phoenix Type	Description	Load Current	Price Each			
Mfr.	Mfr. Part No.					1	10	50	100
651	—3056116	A	RWO 5	Ring PFT open-style, M5 thread	76A				
651	—3056129	A	RWO 5/S	Ring PFT open, M5 w/alignment pins	76A				
651	—3073597	A	RW 5/S	Ring PFT, M5 w/alignment pins	76A				
651	—3073584	A	RW 5	Ring/bolt connection PFT, M5 thread	76A				
651	—3056145	A	RWO 8/S	Ring PFT open, M8 w/alignment pins	125A				
651	—3073610	A	RW 8/S	Ring PFT, M8 thread w/alignment pins	125A				
651	—3056158	A	RWO 10	Ring PFT open-style, M10 thread	309A				

3.81MM PLUGGABLE TERMINAL BLOCKS WITH SCREW FLANGES

• RoHS Compliant per Phoenix documentation

• Color: Green
• Captive Screws

• Max. Voltage: 300V
• Max Current: 8A



RoHS Compliant

For quantities of 500 and up, call for quote.

MOUSER STOCK NO.		Fig.	Phoenix Type	No. of Pos.	Dimensions: mm			Price Each			
Mfr.	Mfr. Part No.				A	B	C	1	10	50	100
Panel Feed-Through Headers with Threaded Flange											
651	—1829345	B	DFK-MC 1.5/2-GF-3.81	2	3.81	13.81	18.50				
651	—1829358	B	DFK-MC 1.5/3-GF-3.81	3	3.81	17.62	22.30				
651	—1829361	B	DFK-MC 1.5/4-GF-3.81	4	3.81	21.43	26.10				
651	—1829374	B	DFK-MC 1.5/5-GF-3.81	5	3.81	25.24	29.90				
651	—1829387	B	DFK-MC 1.5/6-GF-3.81	6	3.81	29.05	33.80				
651	—1827596	B	DFK-MC 1.5/8-GF-3.81	8	3.81	36.67	41.40				
651	—1829413	B	DFK-MC 1.5/10-GF-3.81	10	3.81	44.29	49.00				
651	—1829439	B	DFK-MC 1.5/12-GF-3.81	12	3.81	51.91	56.60				

Mounting Hardware for 3.81mm Panel Feed-Through Headers - (Requires 2 Per Header for Mounting)

651	—0710015	-	DFK-MC SS	1 ea. of M 2x8 Screw, Washer & Nut							
-----	----------	---	-----------	------------------------------------	--	--	--	--	--	--	--

5.08MM PLUGGABLE TERMINAL BLOCKS WITH SCREW FLANGES

• RoHS Compliant per Phoenix documentation

• Color: Green
• Captive Screws

• Max. Voltage: 300V
• Max Current: 10A



RoHS Compliant

For quantities greater than listed, call for quote.

MOUSER STOCK NO.		Fig.	Phoenix Type	No. of Pos.	Dimensions: mm			Price Each			
Mfr.	Mfr. Part No.				A	B	C	1	10	50	100
Panel Feed-Through Headers with Threaded Flange											
651	—0710170	C	DFK-MSTB 2.5/2-GF-5.08	2	5.08	13.18	20.32				
651	—0710183	C	DFK-MSTB 2.5/3-GF-5.08	3	5.08	18.26	25.40				
651	—0710196	C	DFK-MSTB 2.5/4-GF-5.08	4	5.08	23.34	30.48				
651	—0710206	C	DFK-MSTB 2.5/5-GF-5.08	5	5.08	28.42	35.56				
651	—0710219	C	DFK-MSTB 2.5/6-GF-5.08	6	5.08	33.50	40.64				
651	—0710235	C	DFK-MSTB 2.5/8-GF-5.08	8	5.08	43.66	50.80				
651	—0710251	C	DFK-MSTB 2.5/10-GF-5.08	10	5.08	53.82	60.96				

Mounting Hardware for 5.08mm Panel Feed-Through Headers - (Requires 2 Per Header for Mounting)

651	—0708263	-	DFK-MSTB-SS	1 ea. of M 3x10 Screw, Washer & Nut							
-----	----------	---	-------------	-------------------------------------	--	--	--	--	--	--	--

HIGH CURRENT FEED-THRU TERMINAL BLOCKS FOR PANEL MOUNTING

• RoHS Compliant per Phoenix documentation
• Voltage: Metal Walls 1-2.5mm-400 V max, Metal Walls 2.5-4mm-250 V max, Plastic Walls 1-4mm-400 V max.

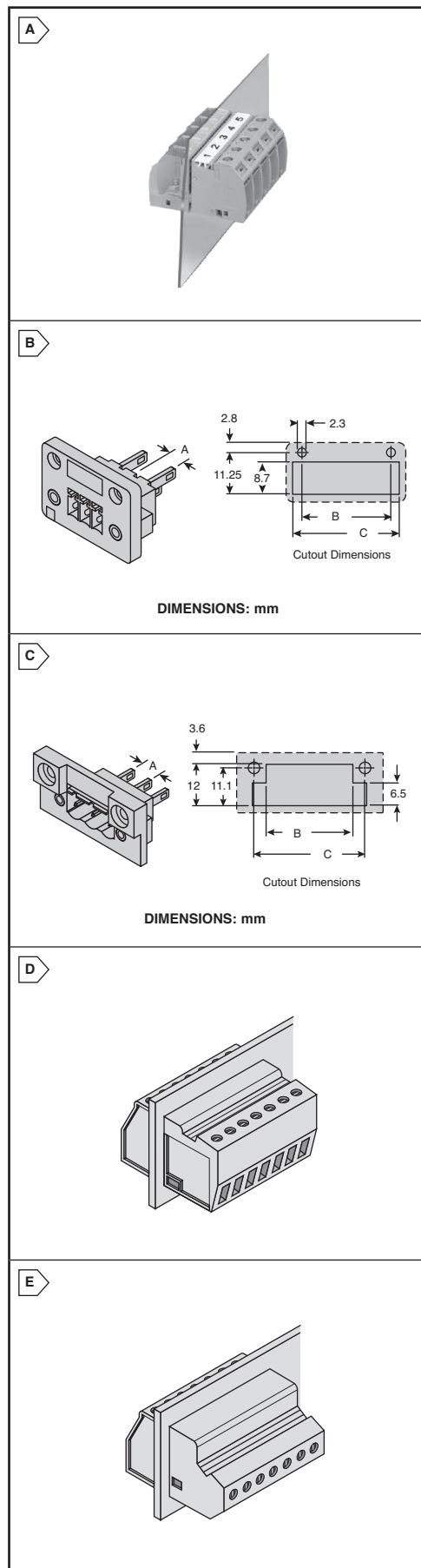
• Reliable Sealing of Housing Interior
• Automatic Compensation of Wall Thickness
• Very Easy Installation



RoHS Compliant

For quantities greater than listed, call for quote.

MOUSER STOCK NO.		Fig.	Phoenix Type	AWG	Color	Conductor Connection	Current Rating	Price Each			
Mfr.	Mfr. Part No.							1	10	50	100
651	—0707086	D	HDFK 4	24-10	Gray	Horizontal	40A				
651	—0707866	D	HDFK 4 GNYE	24-10	Green/Yellow	Horizontal	40A				
651	—0709026	E	HDFK 4	24-10	Gray	Vertical	40A				



DEVICE TERMINAL BLOCKS FOR DIRECT MOUNTING

These G5 and G10 compact terminal blocks are used for main connections in electric and electronic equipment. They provide touch proof shock protection and have interlocking tongues and grooves. Two screws are provided with each.

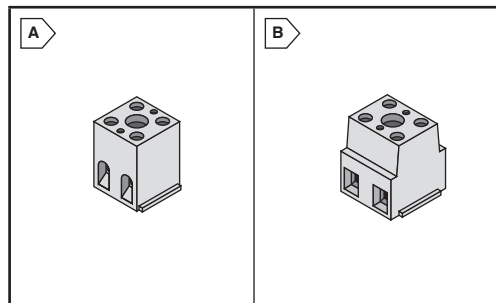


RoHS Compliant

• RoHS Compliant per Phoenix documentation

For quantities greater than listed, call for quote.

MOUSER STOCK NO.		Fig.	Phoenix Type	No. of Pos.	AWG	Voltage Rating	Current Rating	Price Each			
Mfr.	Mfr. Part No.							1	10	50	100
651	—2716020	A	G 5/2	2	26 - 10	300V	30A				
651	—2716033	A	G 5/3	3	26 - 10	300V	30A				
651	—2716046	A	G 5/4	4	26 - 10	300V	30A				
651	—2716703	B	G 10/2	2	24 - 6	600V	65A				
651	—2716716	B	G 10/3	3	24 - 6	600V	65A				
651	—2716729	B	G 10/4	4	24 - 6	600V	65A				



VIOK 4 LEVEL SENSOR & ACTUATOR TERM. BLOCKS FOR DIN RAIL MNTG.

- The VIOK 1,5-2D offers 2 feed-Through and 2 Busbar levels
- The VIOK 1,5-3D/PE offers 4 conductor feed-through terminal blocks which serves for the power supply of the VIOK terminal blocks
- Only one terminal block is needed for sensors and actuators

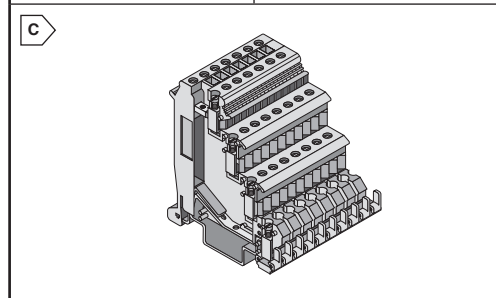
• RoHS Compliant per Phoenix documentation



RoHS Compliant

For quantities greater than listed, call for quote.

MOUSER STOCK NO.		Fig.	Phoenix Type	AWG	Voltage Rating	Current Rating	Width (mm)	Length (mm)	Price Each		
Mfr.	Mfr. Part No.								1	10	50
651	—2718015	C	VIOK 1,5	30 - 14	300V	15A	6.2	62.5			
651	—2718196	C	VIOK 1,5-2D	30 - 14	300V	15A	6.2	73			
651	—2718206	C	VIOK 1,5-3D/PE	30 - 14	300V	15A	6.2	82.5			

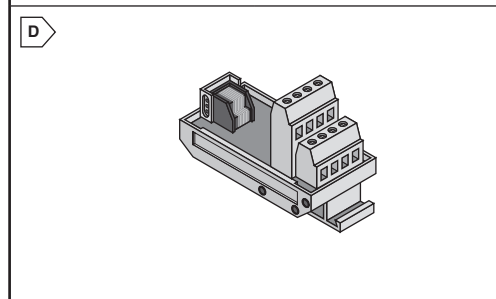


UMKRJ SERIES RJ-11/45 MODULE FOR DIN RAIL MOUNTING

The RJ-11/45 module allows the modular jack connection to be converted to discrete wiring. This module is ideal for the use of Ethernet breakout.

For quantities greater than listed, call for quote.

MOUSER STOCK NO.		Fig.	Phoenix Type	Description	Price Each			
Mfr.	Mfr. Part No.				1	5	10	25
651	—5543643	D	UMK-RJ11/6	Converts 1 RJ11 jack to 6 discrete wires				
651	—5543630	D	UMK-RJ11/8	Converts 1 RJ11 jack to 8 discrete wires				
651	—5525946	D	UMK-RJ 45/10	Converts 1 RJ45 jack to 10 discrete wires				

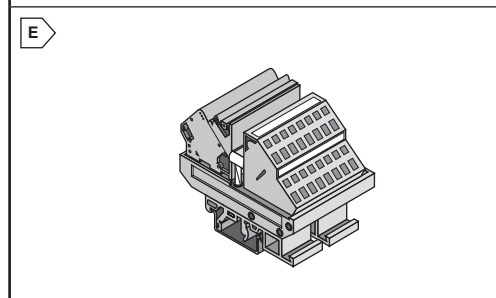


VARIOFACE MODULES AS COMPACT POTENTIAL DISTRIBUTORS FOR DIN RAIL MOUNTING

Each module allows potential distribution for two potentials (P1, P2) using spring cage terminals.

For quantities greater than listed, call for quote.

MOUSER STOCK NO.		Fig.	Phoenix Type	No. of Terminal Connections	Module Width	AWG	Price Each			
Mfr.	Mfr. Part No.						1	5	10	25
651	—2302353	E	UMK-PVB2/16 ZFKDS	16	450	24 - 12				
651	—2302366	E	UMK-PVB2/24 ZFKDS	24	67.5	24 - 12				

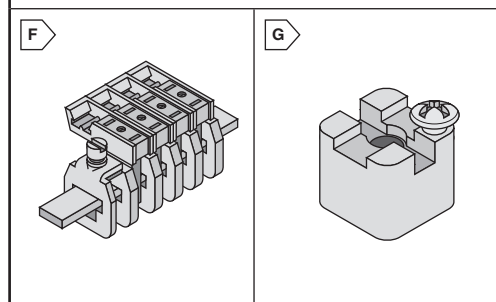


BUSBAR SYSTEMS

Used in Neutral(N), Ground(PE), and Phase Conductors (L1,L2,L3) Terminal Block Connections.

For quantities greater than listed, call for quote.

MOUSER STOCK NO.		Fig.	Phoenix Type	Description	Price Each		
Mfr.	Mfr. Part No.				1	5	50
651	—0404017	F	AK 4	Terminal Block Connection without Insulating Cap			
651	—0421032	F	AKG 4 BK	Terminal Block Conn., Black Insulating Cap for L1, L2, L3			
651	—0421016	F	AKG 4 BU	Terminal Block Connection, Blue Insulating Cap for N			
651	—0421029	F	AKG 4 GNYE	Terminal Block Conn., Green-Yellow Insulating Cap for PE			
651	—0404428	G	AB/SS	Busbar support with screw, 3x10 mm or 6x6mm busbar			
651	—0404431	H	AB2/SS	Double Busbar Support, 48mm high, 3x10mm or 6x6mm			
651	—0402174	I	NLS-CU 3/10	Neutral Busbar, 3x10mm, 1m long, Nominal Current: 140A			



ACCESSORIES

For Device Terminal Blocks

For quantities greater than listed, call for quote.

MOUSER STOCK NO.		Phoenix Type	Description	Price Each		
Mfr.	Mfr. Part No.			1	5	50
651	—1401404	BN WH	Unprinted Marker Pin to use with M-Pen			
651	—1205053	SZS 0,6 X 3,5	Screwdriver			

For High Current Feed-Through Terminal Blocks

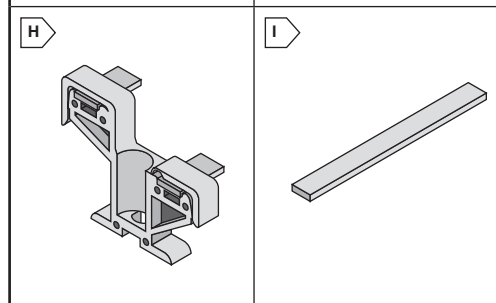
For quantities greater than listed, call for quote.

MOUSER STOCK NO.		Phoenix Type	Description	Price Each		
Mfr.	Mfr. Part No.			1	5	50
651	—3118135	EBS-10-8	Fully insulated Insertion Bridge, Divisible			
651	—1205053	SZS 0,6 X 3,5	Screwdriver			

For VIOK Four Level Terminal Blocks

For quantities greater than listed, call for quote.

MOUSER STOCK NO.		Phoenix Type	Description	Price Each		
Mfr.	Mfr. Part No.			1	5	50
651	—0203250	FBI 10-6	10 Position Fixed Bridge, Divisible			
651	—2715940	EB 80-DIK-BU	80 Position Insertion Bridge, (Middle), Divisible			
651	—2715953	EB 80-DIK-RD	80 Position Insertion Bridge, (Lower), Divisible			



PHOENIX CONTACT Cipline DIN Rail Terminal Blocks



INSPIRING INNOVATIONS

RoHS Compliant This product is RoHS compliant.

PIT 1.5/S PUSH-IN TERMINAL BLOCKS

Phoenix Contact's 1.5mm² push-in technology terminal blocks allow easy and fast termination of ferruled and stripped, stranded wire from 26-16AWG. Versions include single, twin, Quattro, double-level, and triple-level feed-through. All are compatible with the Cipline Complete system of bridging, marking, test accessories, and plug in components.

- 26 to 16AWG – stranded/stranded with ferrule
- 26 to 18AWG – ferrule with plastic sleeve
- Direct plug-in with ferrule down to 22AWG
- UL rated 15A/500V
- Up to 50% reduction in push-in force compared to other push-in type terminal blocks
- Five time the IEC requirement for pull-out (retention) force
- Up to 35% faster termination than standard spring cage due to the short push button activation stroke
- Completely touch-proof design

Single Level

For quantities greater than listed, call for quote.

MOUSER STOCK NO.		Fig.	Phoenix Type	Color	AWG	Voltage Rating	Current Rating	Dimensions (mm)			Price Each						
Mfr.	Mfr. Part No.							W	L	H	1	10	50	500			
Feed-Through Modular Terminal Blocks																	
651—3208100		A	PIT1,5/S	Gray	26-14	500	17.5	3.5	45	39.5							
651—3208126		A	PIT1,5/S BU	Blue	26-14	500	17.5	3.5	45	39.5							
651—3208139		A	PIT1,5/S-PE	Grn/Yel	26-14	-	-	3.5	45	39.5							
651—3208155		B	PIT1,5/S-TWIN	Gray	26-14	500	17.5	3.5	54	39.5							
651—3208168		B	PIT1,5/S-TWIN BU	Blue	26-14	500	17.5	3.5	54	39.5							
651—3208171		B	PIT1,5/S-TWIN-PE	Grn/Yel	26-14	-	-	3.5	54	39.5							
651—3208197		C	PIT1,5/S-QUATTRO	Gray	26-14	500	17.5	3.5	63.2	39.5							
651—3208208		C	PIT1,5/S-QUATTRO BU	Blue	26-14	500	17.5	3.5	63.2	39.5							
651—3208333		C	PIT1,5/S-QUATTRO PE	Grn/Yel	26-14	-	-	3.5	63.2	39.5							
651—3208359		C	PIT1,5/S-QUATTRO-U	Gray	26-14	500	15	3.5	63.2	39.5							

Multi-Level/Pluggable

Double-Level Terminal Block

651—3208511		D	PITTB1,5/S	Gray	26-14	500	16	3.5	65.4	50.1						
651—3208524		D	PITTB1,5/S BU	Blue	26-14	500	16	3.5	65.4	50.1						
651—3208537		D	PITTB1,5/S-PE	Grn/Yel	26-14	-	-	3.5	65.4	50.1						
651—3208540		D	PITTB1,5/S-PV	Gray	26-14	500	16	3.5	65.4	50.1						
651—3208544		D	PITTB1,5/S-L/N	Gray	26-14	500	16	3.5	65.4	50.1						
651—3208553		D	PITTB1,5/S-PE/L	Gray	26-14	500	16	3.5	65.4	50.1						
651—3208566		D	PITTB1,5/S-PE/N	Gray	26-14	500	16	3.5	65.4	50.1						
651—3212439		D	PITTB1,5/S/2P	Gray	26-14	500	16	3.5	69.3	50.1						
651—3212442		D	PITTB1,5/S/2P BU	Blue	26-14	500	16	3.5	69.3	50.1						
651—3212455		D	PITTB1,5/S/2P-PE	Grn/Yel	26-14	-	-	3.5	69.3	50.1						
651—3212468		D	PITTB1,5/S/2P-FV	Gray	26-14	500	16	3.5	69.3	50.1						
651—3213933		D	PITTB1,5/S/2P/FV BU	Blue	26-14	500	16	3.5	69.3	50.1						

Multiple-Level Terminal Block

651—3213713		E	PIT1,5/S-3L	Gray	26-14	500	15	3.5	97.2	60.7						
651—3213726		E	PIT1,5/S-3L BU	Blue	26-14	500	15	3.5	97.2	60.7						
651—3213739		E	PIT1,5/S-3PE	Grn/Yel	26-14	-	-	3.5	97.2	60.7						
651—3213742		E	PIT1,5/S-3PV	Gray	26-14	500	15	3.5	97.2	60.7						

Feed-Through Modular Terminal Blocks

651—3208582		F	PIT1,5/S/1P	Gray	26-14	500	13.5	3.5	46	39.5						
651—3208595		F	PIT1,5/S/1P BU	Blue	26-14	500	13.5	3.5	46	39.5						
651—3212332		F	PIT1,5/S/1P-PE	Grn/Yel	26-14	-	-	3.5	46	39.5						
651—3212358		G	PIT1,5/S-TWIN/1P	Gray	26-14	500	13.5	3.5	55	39.5						
651—3212361		G	PIT1,5/S-TWIN/1P BU	Blue	26-14	500	13.5	3.5	55	39.5						
651—3212374		G	PIT1,5/S-TWIN/1P-PE	Grn/Yel	26-14	-	-	3.5	55	39.5						
651—3212390		H	PIT1,5/S-QUATTRO/2P	Gray	26-14	500	13.5	3.5	78.5	39.5						
651—3212400		H	PIT1,5/S-QUATTRO/2P BU	Blue	26-14	500	13.5	3.5	78.5	39.5						
651—3212413		H	PIT1,5/S-QUATTRO/2P-PE	Grn/Yel	26-14	-	-	3.5	78.5	39.5						

Multiple-Level Terminal Block

651—3213755		I	PIT1,5/S-PE/L/N	Gray	26-14	500	15	3.5	97.2	60.7						
651—3213768		I	PIT1,5/S-PE/L/L	Gray	26-14	500	15	3.5	97.2	60.7						

Covers

For quantities greater than listed, call for quote.

MOUSER STOCK NO.		Fig.	Phoenix Type	Color	Dimensions (mm)			Price Each								
Mfr.	Mfr. Part No.				W	L	H	1	10	50	500					
651—3208579		-	D-PITTB1,5/S	Gray	2.2	65.4	34.9									
651—3212471		-	D-PITTB1,5/S/2P	Gray	2.2	69.3	34.9									
651—3113771		-	D-PIT1,5/S-3L	Gray	2.2	97.2	45.5									
651—3208142		-	D-PIT1,5/S-3L	Gray	2.2	45	24.3									
651—3208184		-	D-PIT1,5/S-TWIN	Gray	2.2	54	24.3									
651—3208375		-	D-PIT1,5/S-QUATTRO	Gray	2.2	63.2	24.3									
651—3212426		-	D-PIT1,5/S-QUATTRO/2P	Gray	2.2	78.5	-									

PTS AND PTBS 1.5/S TERMINAL BLOCKS

- 26 to 14AWG – stranded or stranded with ferrule
- 26 to 18AWG – ferrule with plastic sleeve
- Angled space saving design
- Direct plug-in with ferrule down to 22AWG
- UL rated 15A at 300V, or 5A at 600V



Single Level

For quantities greater than listed, call for quote.

MOUSER STOCK NO.		Fig.	Phoenix Type	Color	AWG	Voltage Rating	Current Rating	Dimensions (mm)			Price Each					
Mfr.	Mfr. Part No.							W	L	H	1	10	100	500		
651—3214453		J	PTS1,5/S/1P	Gray	26-14	300, 600	5, 15	37	50.7	3.5						
651—3214466		J	PTS1,5/S/1P BU	Blue	26-14	300, 600	5, 15	37	50.7	3.5						
651—3214479		J	PTS1,5/S/1P-PE	Gr/Yel	26-14	300, 600	5, 15	37	50.7	3.5						
651—3214547		J	PTS1,5/S	Gray	26-14	300, 600	5, 15	37	50.7	3.5						
651—3214550		J	PTS1,5/S BU	Blue	26-14	300, 600	5, 15	37	50.7	3.5						
651—3214563		J	PTS1,5/S-PE	Blue	26-14	300, 600	5, 15	37	50.7	3.5						
651—3214589		J	PTS1,5/S-TWIN	Gray	26-14	300, 600	5, 15	37	50.7	3.5						
651—3214592		J	PTS1,5/S-TWIN BU	Blue	26-14	300, 600	5, 15	37	50.7	3.5						
651—3214602		J	PTS1,5/S-TWIN-PE	Gr/Yel	26-14	300, 600	5, 15	37	50.7	3.5						
651—3214615		J	PTS1,5/S-QUATTRO	Gray	26-14	300, 600	5, 15	37	50.7	3.5						
651—3214631		J	PTS1,5/S-QUATTRO BU	Blue	26-14	300, 600	5, 15	37	50.7	3.5						
651—3214709		J	PTS1,5/S-TWIN/1P	Gray	26-14	300, 600	5, 15	37	50.7	3.5						
651—3214644		J	PTS1,5/S-QUATTRO-PE	Gr/Yel	26-14	300, 600	5, 15	37	50.7	3.5						
651—3214712		J	PTS1,5/S-TWIN/1P BU	Blue	26-14	300, 600	5, 15	37	50.7	3.5						
651—3214725		J	PTS1,5/S-TWIN/1P-PE	Gr/Yel	26-14	300, 600	5, 15	37	50.7	3.5						

Accessories

651—3214576		-	ID-PTS1,5/S	Gray												
-------------	--	---	-------------	------	--	--	--	--	--	--	--	--	--	--	--	--

Double Level

651—3214495		K	PTTBS1,5/S/2P	Gray	26-14	300, 600	5, 15	55	78	3.5						
651—3214496		K	PTTBS1,5/S/2P/U-OG/O-GN	Gray	26-14	300, 600	5, 15	55	78	3.5						
651—3214505		K	PTTBS1,5/S/2P BU	Blue	26-14	300, 600	5, 15	55	78	3.5						
651—3214518		K	PTTBS1,5/S/2P-PE	Gr/Yel	26-14	300, 600	5, 15	55	78	3.5						
651—3214521		K	PTTBS1,5/S/2P-PV	Gray	26-14	300, 600	5, 15	55	78	3.5						
651—3214657		K	PTTBS1,5/S	Gray	26-14	300, 600	5, 15	55	78	3.5						
651—3214660		K	PTTBS1,5/S BU	Blue	26-14	300, 600	5, 15	55	78	3.5						
651—3214666		K	PTTBS1,5/S/U-OG/O-GN	Gr/Org	26-14	300, 600	5, 15	55	78	3.5						
651—3214673		K	PTTBS1,5/S-PE	Gr/Yel	26-14	300, 600	5, 15	55	78	3.5						
651—3214686		K	PTTBS1,5/S-PV	Gray	26-14	300,										

PHOENIX CONTACT Cipline DIN Rail Terminal Blocks



RoHS Compliant This product is RoHS compliant.

PUSH-IN CONNECTION TECHNOLOGY TERMINAL BLOCKS

Push-in connection technology are modular terminal blocks that require 50% lower insertion force and create user friendly wiring. As part of the CLIPLINE Complete family, these terminal blocks use standard system accessories, including bridging and marking.

Features:

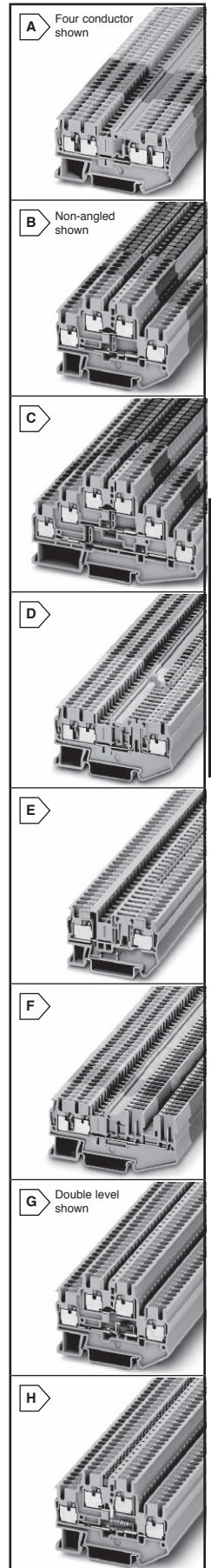
- Push-in technology makes wiring easy and reduces fatigue
- Compatible with Cipline Complete accessories
- Front connection for space-saving convenient wiring
- Three standard marker grooves
- No special tooling required
- Actuation button
- Touch-proof design



RoHS Compliant

For quantities greater than listed, call for quote.

MOUSER STOCK NO.	Fig.	Phoenix Type	Color	AWG	Voltage Rating	Current Rating	Dimensions (mm)			Price Each			
							W	L	H	1	10	50	100
2-Conductor Terminal Blocks													
651-3209510	A	PT 2.5	Gray	26-14	800	30A	5.2	48.5	36.5				
651-3209523	A	PT 2.5 BU	Blue	26-14	800	30A	5.2	48.5	36.5				
651-3209536	A	PT 2.5-PE	Grn/Yel	26-14	-	-	5.2	48.5	36.5				
3-Conductor Terminal Blocks													
651-3209549	A	PT 2.5-TWIN	Gray	26-14	800	30A	5.2	60.5	36.5				
651-3209552	A	PT 2.5-TWIN BU	Blue	26-14	800	30A	5.2	60.5	36.5				
651-3209565	A	PT 2.5-TWIN-PE	Grn/Yel	26-14	-	-	5.2	60.5	36.5				
4-Conductor Terminal Blocks													
651-3209578	A	PT 2.5-QUATT RO	Gray	26-14	800	30A	5.2	72	36.5				
651-3209581	A	PT 2.5-QUATT RO BU	Blue	26-14	800	30A	5.2	72	36.5				
651-3209594	A	PT 2.5-QUATT RO-PE	Grn/Yel	26-14	-	-	5.2	72	36.5				
Double-level Terminal Blocks													
651-3210567	B	PTTB 2.5	Gray	26-14	500	26A	5.2	68	47.5				
651-3210570	B	PTTB 2.5 BU	Blue	26-14	500	26A	5.2	68	47.5				
651-3210583	B	PTTB 2.5-PV	Gray	26-14	500	26A	5.2	68	47.5				
651-3210596	B	PTTB 2.5-PE	Grn/Yel	26-14	-	-	5.2	68	47.5				
651-3210978	B	PTTB 2.5-PE/L	Grn/Yel	26-14	-	-	5.2	68	47.5				
651-3210981	B	PTTB 2.5-PE/N	Grn/Yel	26-14	-	-	5.2	68	47.5				
651-3210994	B	PTTB 2.5-L/N	Gray	26-14	500	26A	5.2	68	47.5				
Double-level Terminal Blocks - Angled Design													
651-3209604	B	PTTBS 2.5	Gray	26-14	500	26A	5.2	78	55				
651-3209617	B	PTTBS 2.5 BU	Blue	26-14	500	26A	5.2	78	55				
651-3210211	B	PTTBS 2.5-PV	Gray	26-14	500	26A	5.2	78	55				
651-3209620	B	PTTBS 2.5-PE	Grn/Yel	26-14	-	-	5.2	78	55				
Three-level Terminal Blocks													
651-3210499	C	PT 2.5-3L	Gray	26-14	500	26A	5.2	102	58				
651-3210509	C	PT 2.5-3L BU	Blue	26-14	500	26A	5.2	102	58				
651-3210512	C	PT 2.5-3PV	Gray	26-14	500	26A	5.2	102	58				
651-3210525	C	PT 2.5-3PE	Grn/Yel	26-14	-	-	5.2	102	58				
651-3210538	C	PT 2.5-PE/L/N	Grn/Yel	26-14	-	-	5.2	102	58				
651-3210541	C	PT 2.5-PE/L/L	Grn/Yel	26-14	-	-	5.2	102	58				
Knife / Disconnect Terminal Blocks													
651-3210156	D	PT 2.5-MT	Gray	26-14	400	20A	5.2	60.5	36.5				
651-3210169	D	PT 2.5-TWIN-MT	Gray	26-14	400	20A	5.2	74	55				
651-3211663	D	PT 2.5-TWIN-MT BU	Blue	26-14	400	20A	5.2	74	55				
651-3210172	D	PT 2.5-QUATT RO-MT	Gray	26-14	400	20A	5.2	78	55				
651-3211676	D	PT2.5-QUATTROMT BU	Blue	26-14	400	20A	5.2	78	55				
Disconnect Terminal Blocks													
651-3210185	E	PT 2.5-TG	Gray	26-14	400	20A	5.2	60.5	36.5				
651-3210198	E	PT 2.5-TWIN-TG	Gray	26-14	400	20A	5.2	74	36.5				
651-3210208	E	PT 2.5-QUATT RO-TG	Gray	26-14	400	20A	5.2	84	36.5				
COMBI Double-level Terminal Blocks													
651-3210871	F	PTTB 2.5/2P	Gray	26-14	500	22A	5.2	71.5	47.5				
651-3210884	F	PTTB 2.5/2P BU	Blue	26-14	500	22A	5.2	71.5	47.5				
651-3210907	F	PTTB 2.5/2P-PV	Gray	26-14	500	22A	5.2	71.5	47.5				
651-3210897	F	PTTB 2.5/2P-PE	Grn/Yel	26-14	-	-	5.2	71.5	47.5				
Diode Terminal Blocks													
651-3210224	G	PT 2.5-DIO/L-R	Gray	26-14	800	0.5A	5.2	48.5	36.5				
651-3210237	G	PT 2.5-DIO/R-L	Gray	26-14	800	0.5A	5.2	48.5	36.5				
651-3210240	G	PT2.5-TWIN-DIO/L-R	Gray	26-14	800	0.5A	5.2	48.5	36.5				
651-3210253	G	PT2.5-TWIN-DIO/R-L	Gray	26-14	800	0.5A	5.2	48.5	36.5				
651-3210266	G	PT2.5QUATTRODIOL-R	Gray	26-14	800	0.5A	5.2	48.5	36.5				
651-3210279	G	PT2.5QUATTRODIOR-L	Gray	26-14	800	0.5A	5.2	48.5	36.5				
Diode Terminal Blocks - Double Level													
651-3210923	G	PTTB 2.5-DIO/O-U	Gray	26-14	800	0.5A	5.2	68	47.5				
651-3210936	G	PTTB 2.5-DIO/U-O	Gray	26-14	800	0.5A	5.2	68	47.5				
651-3211427	G	PTTB2.5-DIO/UL-UR	Gray	26-14	800	0.5A	5.2	68	47.5				
651-3211430	G	PTTB2.52DIOOULURUL	Gray	26-14	800	0.5A	5.2	68	47.5				
651-3211443	G	PTTB2.52DIOOULOUR	Gray	26-14	800	0.5A	5.2	68	47.5				
651-3210282	G	PTTBS 2.5-DIO/O-U	Gray	26-14	800	0.5A	5.2	68	47.5				
651-3210295	G	PTTBS 2.5-DIO/U-O	Gray	26-14	800	0.5A	5.2	68	47.5				
Double-level Light Indicator Terminal Blocks													
651-3211456	H	PTTB 2.5-LA 24 RD	Gray	26-14	24	26A	5.2	68	47.5				
651-3211469	H	PTTB 2.5-LA 60 RD	Gray	26-14	24	26A	5.2	68	47.5				
651-3211472	H	PTTB 2.5-LA 230	Gray	26-14	24	26A	5.2	68	47.5				



Terminal Blocks
Phoenix Contact

PHOENIX CONTACT Cipline DIN Rail Terminal Blocks



This product is RoHS compliant.

MINI SPRING CAGE TERMINAL BLOCKS

The portfolio of the new mini spring terminal blocks comprises terminals for horizontal (MSB) and vertical (MSBV) conductor connection. Versions are available for NS 15 and NS 35 rails, as well as versions with a snap-on foot (-RZ), screwfix (-F), and blocks utilizing the built-in engagement pins for mounting between 2 terminal blocks.

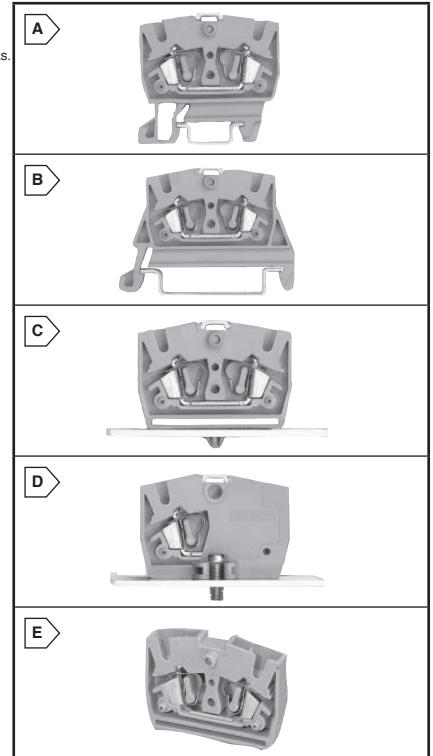
Features:

- Snapped onto NS 15 or NS 35 rail
- IEC 800V/30A, UL 600V/20A
- Center labeling using flat Zack marker strip
- Engagement Pin blocks mount between 2 other terminal blocks using the built in engagement pin
- Compact design with 5mm division
- Individual terminals inter-snap on, facilitating fast and safe structure
- The MSB series fulfills the same technical parameters as the standard ST 2.5 modular terminal blocks



For quantities greater than listed, call for quote.

MOUSER STOCK NO.		Fig.	Phoenix Type	Color	AWG	Volt. Rating	Current Rating	Dimensions (mm)			Price Each						
Mfr	Mfr. Part No.							H	L	W	1	10	50	100			
Din Rail NS15/35 Mount																	
651—3244012	A	MSB 2,5-NS 15	Gray	28-12	600V	20A	22	32	5.2								
651—3244025	A	MSB 2,5 BU-NS 15	Blue	28-12	600V	20A	32	32	5.2								
651—3244038	A	MSB 2,5 OG-NS 15	Org	28-12	600V	20A	32	32	5.2								
651—3073092	A	MSB 2,5 YE-NS 15	Yel	28-12	600V	20A	32	32	5.2								
651—3249017	A	MSBV 2,5-NS 15	Gray	28-12	600V	20A	32	32	5.2								
651—3249088	B	MSBV 2,5-NS 35	Gray	28-12	600V	20A	32	42.7	5.2								
651—3244119	B	MSB 2,5-NS 35	Gray	28-12	600V	20A	32	42.7	5.2								
651—3249091	B	MSBV 2,5-NS 35 BU	Blue	28-12	600V	20A	32	42.7	5.2								
Snap-on Foot Mount																	
651—3244164	C	MSB 2,5-RZ	Gray	28-12	600V	20A	22	32	5.2								
651—3244177	C	MSB 2,5-RZ BU	Blue	28-12	600V	20A	22	32	5.2								
Screwfix Mount																	
651—3244041	D	MSB 2,5-F	Gray	28-12	600V	20A	22	32	5.2								
651—3249046	C	MSBV 2,5-F BU	Blue	28-12	600V	20A	20	32	5.2								
651—3249059	D	MSBV 2,5-F	Gray	28-12	600V	20A	20	32	5.2								
651—3244054	D	MSB 2,5-F BU	Blue	28-12	600V	20A	22	32	5.2								
Engagement Pin Mount																	
651—3244067	E	MSB 2,5-M	Gray	28-12	600V	20A	22	32	5.2								
651—3244070	E	MSB 2,5-M BU	Blue	28-12	600V	20A	22	32	5.2								
651—3244096	E	MSB 2,5-M OG	Org	28-12	600V	20A	22	32	5.2								
651—3244106	E	MSB 2,5-M YE	Yel	28-12	600V	20A	22	32	5.2								
651—3249062	E	MSBV 2,5-M	Gray	28-12	600V	20A	20	32	5.2								
651—3249075	E	MSBV 2,5-M BU	Blue	28-12	600V	20A	20	32	5.2								



CLIPLINE COMPLETE - COMPLETELY PLUGGABLE WITH COMBI

Cipline now includes COMBI, a pluggable connection solution. The COMBI family offers free selection of connection technologies. Through the standardized COMBI plug-in zones, terminal blocks and connectors can be combined independent of the connection system.

Features:

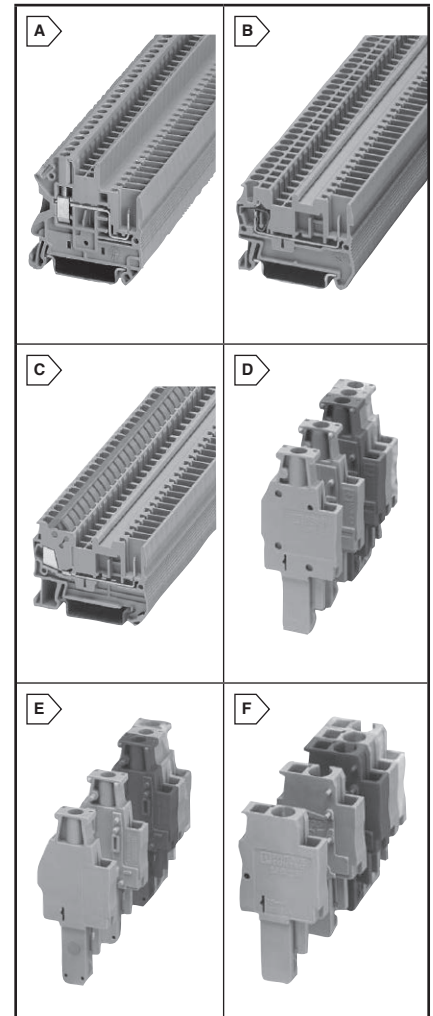
- Touchproof design
- Flexible termination styles
- Reliable connection technologies
- Modular self assembly plugs up to 15 positions
- High current capacity
- Space saving design
- Meets DIN EN 61373, IEC 60068-2-27
- RoHS compliant per Phoenix documentation



COMBI Pluggable Terminal Blocks

For quantities greater than listed, call for quote.

MOUSER STOCK NO.		Fig.	Phoenix Type	Color	AWG	Volt. Rating	Current Rating	Dimensions (mm)			Price Each					
Mfr	Mfr. Part No.							H	L	W	1	10	50	100		
UT-COMBI Pluggable Screw Terminal Blocks																
651—3045017	A	UT 2.5/1P	Gray	26-12	500	24A	47.5	47.6	5.2							
651—3045033	A	UT 2.5/1P-PE	Gr/Yel	26-12	---	---	47.5	47.6	5.2							
651—3045583	A	UT 4/1P	Gray	10-12	800	32A	47.5	47.6	6.2							
651—3045606	A	UT 4/1P-PE	Gr/Yel	10-12	---	---	47.5	47.6	6.2							
ST-COMBI Pluggable Spring-cage Terminal Blocks																
651—3040012	B	ST 2.5/1P	Gray	28-12	500	24A	36.5	48.5	5.2							
651—3042133	B	ST 2.5/2P	Gray	28-12	500	24A	36.5	48.5	5.2							
651—3040025	B	ST 2.5/1P-PE	Gr/Yel	28-12	---	---	36.5	48.5	5.2							
651—3042146	B	ST 2.5/2P-PE	Gr/Yel	28-12	---	---	36.5	48.5	5.2							
651—3042719	B	ST 4/1P	Gray	28-10	800	32A	36.5	55.8	6.2							
651—3042722	B	ST 4/1P-PE	Gr/Yel	28-10	800	32A	36.5	55.8	6.2							
QT-COMBI Pluggable Direct Connection Terminal Blocks																
651—3050073	C	QTC 1.5/1P	Gray	24-16	500	17.5A	39.3	53.5	5.2							
651—3050099	C	QTC 1.5/1P-PE	Gr/Yel	24-16	---	---	39.3	53.5	5.2							



COMBI Plugs

For quantities greater than listed, call for quote.

MOUSER STOCK NO.		Fig.	Phoenix Type	Color	Series	Terminal Blocks (for use with)	Price Each			
Mfr	Mfr. Part No.						1	10	50	100
UT-COMBI - Screw Connection Plug										
651—3045318	D	UPBV 2.5/1-L	Gray	26-14	500	24A	47.0	21.0	5.2	
651—3045347	D	UPBV 2.5/1-M	Gray	26-14	500	24A	47.0	21.0	5.2	
651—3045376	D	UPBV 2.5/1-R	Gray	26-14	500	24A	47.0	21.0	5.2	
651—3045716	D	UPBV 4/1-L	Gray	28-12	800	32A	47.0	21.0	6.2	
651—3045745	D	UPBV 4/1-M	Gray	28-12	800	32A	47.0	21.0	6.2	
651—3045774	D	UPBV 4/1-R	Gray	28-12	800	32A	47.0	21.0	6.2	
ST-COMBI - Spring-cage Connection Plug										
651—3043103	E	SPB 2.5/1-L	Gray	28-12	500	24A	39.0	20.0	5.2	
651—3043132	E	SPB 2.5/1-M	Gray	28-12	500	24A	39.0	20.0	5.2	
QT-COMBI - Fast Connection Plug										
651—3051014	F	QP 1.5/1-L	Gray	24-16	500	17.5	40.0	20.0	5.2	
651—3051043	F	QP 1.5/1-M	Gray	24-16	500	17.5	40.0	20.0	5.2	

End Covers for COMBI Pluggable Terminal Blocks

For quantities greater than listed, call for quote.

MOUSER STOCK NO.		Phoenix Type	Color	Series	Terminal Blocks (for use with)	Price Each			
Mfr	Mfr. Part No.					1	10	50	100
651—3047154	D-UT 2.5/1P	Gray	UT	UT 2.5/1P and UT 4/1P					
651—3030417	D-ST 2.5	Gray	ST	ST 2.5/1P and ST 2.5/2P					
651—3206322	D-QTC 1.5/1P	Gray	QT	QTC 1.5/1P					

PHOENIX CONTACT Cipline DIN Rail Terminal Blocks



RoHS Compliant This product is RoHS compliant.

UT UNIVERSAL TERMINAL SCREW CONNECTION

Universal for every application. This screw connection system features a multi-conductor connection and maximum contact forces. The screw connection system is known and accepted throughout the world and can be used in any application.

For quantities greater than listed, call for quote.

MOUSER STOCK NO.		Phoenix Type	Fig.	Color	AWG	Voltage Rating	Current Rating	Dimensions (mm)			Price Each			
Mfr.	Mfr. Part No.							H	L	W	1	10	50	100
2-Conductor Feed-Thru Terminal Blocks														
651—3064085		UT 2.5-MTD	A	Gray	26-12	400	20A	49.1	57.8	5.2				
651—3064098		UT 2.5-MTD P/P	A	Gray	26-12	630	24A	47.5	57.8	5.2				
651—3044076		UT 2.5	A	Gray	26-12	800	32A	47.5	46.9	5.2				
651—3044089		UT 2.5 BU	A	Blue	26-12	800	32A	47.5	46.9	5.2				
651—3045088		UT 2.5 BK	A	Black	26-12	800	32A	47.5	46.9	5.2				
651—3045062		UT 2.5 RD	A	Red	26-12	800	32A	47.5	46.9	5.2				
651—3044102		UT 4	A	Gray	26-10	800	41A	47.5	46.9	6.2				
651—3044115		UT 4 BU	A	Blue	26-10	800	41A	47.5	46.9	6.2				
651—3045143		UT 4 BK	A	Black	26-10	800	41A	47.5	46.9	6.2				
651—3045127		UT 4 RD	A	Red	26-10	800	41A	47.5	46.9	6.2				
651—3046184		UT 4-MTD	A	Gray	26-10	800	41A	47.5	56.8	6.2				
651—3044131		UT 6	A	Gray	24-8	800	57A	47.5	46.9	8.2				
651—3045208		UT 6 BK	A	Black	24-8	800	57A	47.5	46.9	8.2				
651—3047413		UTMED 6	A	Gray	24-8	500V	30A	49.6	100.8	8.2				
651—3044160		UT 10	A	Gray	20-6	1000	76A	47.5	46.9	10.2				
651—3046320		UT 10 BK	A	Black	20-6	1000	76A	47.5	46.9	10.2				
651—3046304		UT 10 RD	A	Red	20-6	1000	76A	47.5	46.9	10.2				
651—3044199		UT 16	A	Gray	16-4	600V	85A	54.8	52.8	12				
651—3044225		UT 35	A	Gray	14-1/0	600V	150A	65.7	60.2	16				
Ground Terminal Blocks														
651—3044092		UT 2.5-PE	B	Gr/Yel	26-12	---	---	47.5	46.9	5.2				
651—3044128		UT 4-PE	B	Gr/Yel	26-10	---	---	47.5	46.9	6.2				
651—3044157		UT 6-PE	B	Gr/Yel	24-8	---	---	47.5	46.9	8.2				
651—3044173		UT 10-PE	B	Gr/Yel	20-6	---	---	47.5	46.9	10.2				
651—3047442		UTMED 6-PE	B	Gr/Yel	24-8	500V	30A	49.6	100.8	8.2				
651—3044212		UT 16 PE	B	Gr/Yel	16-4	---	---	54.8	52.8	12				
651—3044241		UT 35 PE	B	Gr/Yel	14-1/0	---	---	65.7	60.2	16				
Knife Disconnect Terminal Blocks *Current and Voltage are determined by the plug used.														
651—3046362		UT 2.5-MT	C	Gray	26-12	300	20A	49.1	57.8	5.2				
651—3046375		UT 2.5-MT P/P	C	Gray	26-12	300	20A	49.1	57.8	5.2				
651—3046388		UT 2.5-TG	C	Gray	26-12	300	20A	49.1	57.8	5.2				
651—3046391		UT 2.5-TG P/P	C	Gray	26-12	300	20A	49.1	57.8	5.2				
651—3046139		UT 4-MT	C	Gray	26-10	500*	16A*	47.5	56.8	6.2				
651—3046171		UT 4-MT-P/P	C	Gray	26-10	500*	16A*	47.5	56.8	6.2				
651—3047400		UTME 6	C	Gray	24-8	500V	30A	49.6	100.8	8.2				
Fuse Terminal Blocks *If used as fuse terminal block.														
651—3046032		UT 4-HESI(5X20)	D	Black	26-10	250*	6.3A	73.0	56.8	6.2				
651—3046090		UT 4-HESILED 24(5X20)	D	Black	26-10	250*	6.3A	73.0	56.8	6.2				
651—3046100		UT 4-HESILA 250(5X20)	D	Black	26-10	250*	6.3A	73.0	56.8	6.2				
651—3046401		UT 6-HESI (6.3X32)	D	Black	24-8	600V	10A	73	56.8	8.2				
651—3046414		UT 6-HESILED 24(6.3X32)	D	Black	24-8	600V	10A	73	56.8	8.2				
651—3046430		UT 6-HESILA 250(6.3X32)	D	Black	24-8	600V	10A	73	56.8	8.2				
Plugs for Disconnect Terminal Blocks * If used as disconnect terminal block.														
651—3036796		P-CO	--	Gray	---	400*	6A	21.0	24.0	5.0				
651—3036806		P-FU 5 X 20	--	Black	---	400*	6.3A	25.0	28.0	6.0				
651—3036819		P-FU 5 X 20 LED 24	--	Black	---	400*	16A	25.0	28.0	6.0				

UT 2.5-3L MODULAR TERMINAL BLOCKS



For quantities greater than listed, call for quote.

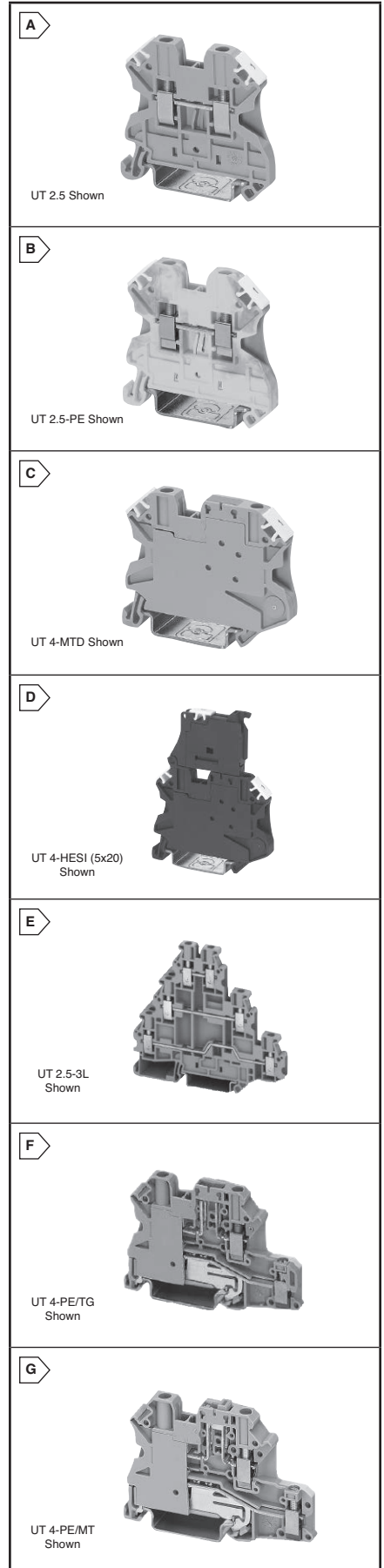
MOUSER STOCK NO.		Phoenix Type	Fig.	Color	AWG	Voltage Rating	Current Rating	Dimensions (mm)			Price Each			
Mfr.	Mfr. Part No.							H	L	W	1	10	50	100
Multi-level														
651—3214259		UT 2.5-3L	E	Gray	26-12	500	20	85	90	5.2				
Terminal block with voltage potential														
651—3214262		UT 2.5-3PV	E	Gray	26-12	500	20	85	90	5.2				
Terminal block with light indication														
651—3214288		UT 2,5-3L-LA24RD/	E	Gray	26-12	500	20	85	90	5.2				
Ground terminal blocks														
651—3214275		UT 2,5-3PE	E	Grn/Yel	26-12	-	-	85	90	5.2				
651—3214291		UT 2,5-3PE/L/N	E	Grn/Yel	26-12	-	-	85	90	5.2				
651—3214301		UT 2,5-3PE/L/L	E	Grn/Yel	26-12	-	-	85	90	5.2				
End plate														
651—3214314		D-UT 2,5-3L	-	Gray	-	-	-	69.8	90	2.2				

UT4 WITH INTEGRATED GROUND (PE) FOOT

- Adds a ground claw/foot to the standard UT4 series.
- Same electrical specifications as standard UT4 terminal blocks
- Provides a reliable and space-saving termination for grounding
- Accepts CLIPLINE Complete marking solutions and accessories.
- Realdyne Principle for safe and maintenance-free screw clamp connection

For quantities greater than listed, call for quote.

MOUSER STOCK NO.		Phoenix Type	Fig.	Color	AWG	Voltage Rating	Current Rating	Dimensions (mm)			Price Each			
Mfr.	Mfr. Part No.							H	L	W	1	10	50	100
651—3070024		UT 4-PE/TG	F	Gray	26-10	500V	20A	47.5	57.8	6.2				
651—3070037		UT 4-PE/TG P/P	F	Gray	26-10	500V	20A	47.5	57.8	6.2				
651—3046235		UT 4-PE/L-DIO R/L	-	Gray	26-10	500V	20A	47.5	57.8	6.2				
651—3046834		UT 4-PE/L-DIO L/R	-	Gray	26-10	500V	20A	47.5	57.8	6.2				
651—3073995		UT 4-PE/HESI	-	Black	26-10	500V	20A	80.5	57.8	6.2				
651—3074004		UT 4-PE/HEDI	-	Black	26-10	500V	20A	80.5	57.8	6.2				
651—3070011		UT 4-PE/MT	G	Gray	26-10	500V	20A	55	57.8	6.2				
651—3046140		UT 4-PE/MT	G	Gray	26-10	500V	20A	55	57.8	6.2				



Terminal Blocks Phoenix Contact

PHOENIX CONTACT CLIPLINE DIN Rail Terminal Blocks



This product is RoHS compliant.

ST SPRING TERMINAL SPRING-CAGE CONNECTION

The proven connection system for vibration-sensitive applications. The spring cage always exerts a constant force on the conductor regardless of the operator actions. Wiring is simple and is performed via the space-saving front connection.

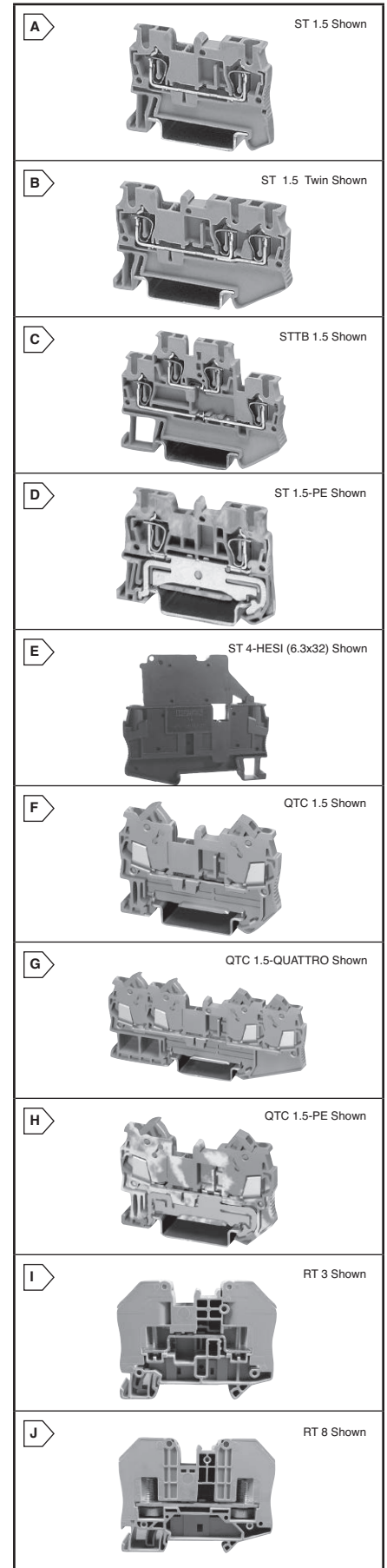


• RoHS Compliant per Phoenix Documentation

For quantities greater than listed, call for quote.

MOUSER STOCK NO.		Phoenix Type	Fig.	Color	AWG	Voltage Rating	Current Rating	Dimensions (mm)			Price Each					
Mfr.	Mfr. Part No.							H	L	W	1	10	50	100		
2-Conductor Feed-Thru Terminal Blocks																
651—3031076		ST 1.5	A	Gray	26-14	300	15A	36.5	48.5	4.2						
651—3031212		ST 2.5	A	Gray	26-12	600	20A	36.5	48.5	5.2						
651—3031364		ST 4	A	Gray	20-10	600	30A	36.5	56.0	6.2						
651—3031487		ST 6	A	Gray	20-8	600	50A	43.5	69.5	8.2						
651—3036110		ST 10	A	Gray	16-6	600	65A	50.5	71.5	10.2						
3-Conductor Feed-Thru Terminal Blocks																
651—3031128		ST 1.5-TWIN	B	Gray	26-14	300	15A	36.5	60.5	4.2						
651—3031131		ST 1.5-TWIN BU	B	Blue	26-14	300	15A	36.5	60.5	4.2						
651—3031241		ST 2.5-TWIN	B	Gray	26-12	600	20A	36.5	60.5	5.2						
651—3031393		ST 4-TWIN	B	Gray	20-10	600	30A	36.5	71.5	6.2						
Double Level Feed-Thru Terminal Blocks																
651—3031157		STTB 1.5	C	Gray	26-14	300	15A	47.5	67.5	4.2						
651—3031270		STTB 2.5	C	Gray	26-12	300	20A	47.5	67.5	5.2						
651—3031429		STTB 4	C	Gray	20-10	300	30A	47.5	83.5	6.2						
Ground Terminal Blocks																
651—3031513		ST 1.5-PE	D	Gr/Yel	26-14	---	---	36.5	48.5	4.2						
651—3031238		ST 2.5-PE	D	Gr/Yel	26-12	---	---	36.5	48.5	5.2						
651—3031380		ST 4-PE	D	Gr/Yel	20-10	---	---	36.5	56.0	6.2						
651—3031500		ST 6-PE	D	Gr/Yel	20-8	---	---	43.5	69.5	8.2						
651—3036136		ST 10-PE	D	Gr/Yel	16-6	---	---	50.5	71.5	10.2						
651—3031144		ST 1.5-TWIN-PE	D	Gr/Yel	26-16	---	---	36.5	60.5	4.2						
651—3031267		ST 2.5-TWIN-PE	D	Gr/Yel	26-12	---	---	36.5	60.5	5.2						
651—3031416		ST 4-TWIN-PE	D	Gr/Yel	20-10	---	---	36.5	71.5	6.2						
651—3031209		ST 1.5-QUATTRO-PE	D	Gr/Yel	26-16	---	---	36.5	72.0	4.2						
651—3031322		ST 2.5-QUATTRO-PE	D	Gr/Yel	26-12	---	---	36.5	72.0	5.2						
651—3031461		ST 4-QUATTRO-PE	D	Gr/Yel	20-10	---	---	36.5	87.0	6.2						
651—3036013		STTB 1.5-PE	D	Gr/Yel	26-14	---	---	47.5	67.5	4.2						
651—3036026		STTB 2.5-PE	D	Gr/Yel	26-12	---	---	47.5	67.5	5.2						
651—3036039		STTB 4-PE	D	Gr/Yel	20-10	---	---	47.5	83.5	6.2						
651—3036440		STS 4-PE	D	Gr/Yel	24-10	---	---	50.5	64.5	6.2						
651—3038147		STS 6-PE	D	Gr/Yel	24-8	---	---	57.5	58.0	8.2						
Fuse Terminal Blocks																
651—3036385		ST 4-HESI(6.3X32)	E	Black	24-10	400	10A	69.0	76.5	8.2						
651—3036369		ST 4-HESI(5X20)	E	Black	24-10	300	6A	62.5	61.5	6.2						

*The max. load current must be < the total current of all connected conductors.



Terminal Blocks

Phoenix Contact

QT QUICKON TERMINAL FAST CONNECTION

Connect the conductor without having to strip it first. The quick connection system permits a drastic reduction of anything up to 60% in wiring time. The conductor connection is simple, reliable and fast, requiring only the aid of a standard screw driver.

• RoHS Compliant per Phoenix Documentation

For quantities greater than listed, call for quote.

MOUSER STOCK NO.		Phoenix Type	Fig.	Color	AWG	Voltage Rating	Current Rating	Dimensions (mm)			Price Each					
Mfr.	Mfr. Part No.							H	L	W	1	10	50	100		
2-Conductor Feed-Thru IDC Terminal Blocks																
651—3205019		QTC 1.5	F	Gray	24-16	800	17.5A	39.3	58.8	5.2						
651—3205022		QTC 1.5 BU	F	Blue	24-16	800	17.5A	39.3	58.8	5.2						
651—3206416		QTC 2.5	F	Gray	20-14	800	24A	39.3	62.6	6.2						
651—3206429		QTC 2.5 BU	F	Blue	20-14	800	24A	39.3	62.6	6.2						
4-Conductor Feed-Thru IDC Terminal Blocks																
651—3205077		QTC 1.5-QUATTRO	G	Gray	24-16	800	17.5A*	39.3	94.0	5.2						
651—3205080		QTC 1.5-QUATTRO BU	G	Blue	24-16	800	17.5A*	39.3	94.0	5.2						
Ground IDC Terminal Blocks																
651—3205035		QTC 1.5-PE	H	Gr/Yel	24-16	---	---	39.3	58.8	5.2						
651—3205064		QTC 1.5-TWIN-PE	H	Gr/Yel	24-16	---	---	39.3	76.4	5.2						
651—3205093		QTC 1.5-QUATTRO-PE	H	Gr/Yel	24-16	---	---	39.3	94.0	5.2						

RT BOLT CONNECTION TERMINALS

For use with cable lugs up to 2.5mm². Unique, simple and fast connections is made possible by hinged cover wings which hold the terminal nuts captive. Once the flap is closed the terminal and bolt are automatically positioned and can be easily tightened.

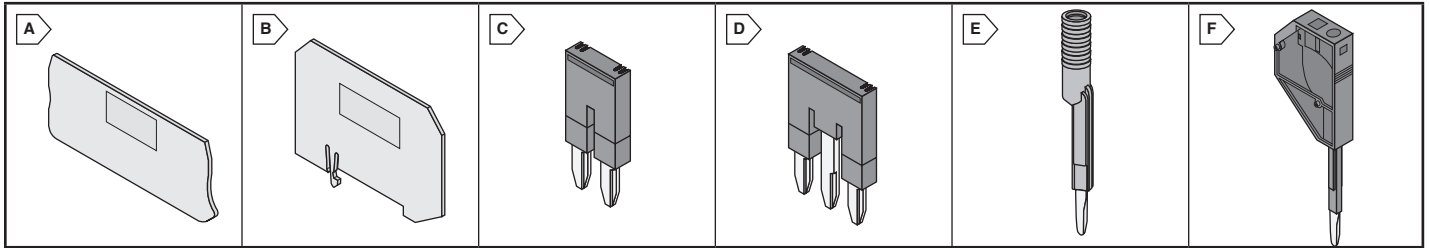
• RoHS Compliant per Phoenix Documentation

For quantities greater than listed, call for quote.

MOUSER STOCK NO.		Phoenix Type	Fig.	Color	AWG	Voltage Rating	Current Rating	Dimensions (mm)			Price Each			
Mfr.	Mfr. Part No.							H	L	W	1	10	50	100
651—3049013		RT 3	I	Gray	26-14	1000	24A	43.5	66.0	12.3				
651—3049026		RT 5	I	Gray	26-10	1000	41A	43.5	66.0	16.3				
651—3049042		RT 8	J	Gray	14-2	1000	125A	56.3	84.0	20.3				
651—3049411		RT 3 PE	I	Gr/Yel	26-14	1000	24A	43.5	66.0	12.3				
651—3049424		RT 5 PE	I	Gr/Yel	26-10	1000	41A	43.5	66.0	16.3				

PHOENIX CONTACT CLIPLINE Complete Accessories

CLIPLINE COMPLETE - Four Terminal Block Technologies, One Common Line of Accessories



END COVERS

• RoHS compliant per Phoenix documentation



RoHS Compliant

For quantities greater than listed, call for quote.

MOUSER STOCK NO. Mfr. Mfr. Part No.	Phoenix Type	Fig.	Color	Series	Description	Price Each			
						1	10	50	100
651—3047028	D-UT 2.5/10	A	Gray	UT	End Cover for UT 2.5, UT4, UT 6, and UT 10 Terminal Blocks				
651—3047141	D-UT 2.5/4-TWIN	A	Gray	UT	End Cover for UT 4-MTD Terminal Blocks				
651—3047154	D-UT 2.5/1P	A	Gray	UT	End Cover for UT 2.5/1P Terminal Blocks				
651—3030417	D-ST 2.5	A	Gray	ST / DT	End Cover for ST 1.5, ST 2.5, DT 2.5 Terminal Blocks				
651—3030514	D-ST 2.5-QUATTRO	A	Gray	ST	End Cover for ST 1.5-Quattro, ST 2.5-Quattro Terminal Blocks				
651—3030488	D-ST 2.5-TWIN	A	Gray	ST	End Cover for ST-1.5-Twin, ST-2.5-Twin Terminal Blocks				
651—3030420	D-ST 4	A	Gray	ST	End Cover for ST 4 Terminal Blocks				
651—3030527	D-ST 4-QUATTRO	A	Gray	ST	End Cover for ST 4-Quattro Terminal Blocks				
651—3030491	D-ST 4-TWIN	A	Gray	ST	End Cover for ST 4-Twin Terminal Blocks				
651—3030433	D-ST 6	A	Gray	ST	End Cover for ST 6 Terminal Blocks				
651—3030459	D-STTB 2.5	A	Gray	ST	End Cover for STTB 1.5, STTB 2.5 Terminal Blocks				
651—3030462	D-STTB 4	A	Gray	ST	End Cover for STTB 4 Terminal Blocks				
651—3031762	D-STs 2.5	A	Gray	ST	End Cover for STS 2.5 Terminal Blocks				
651—3031704	D-STs 4	A	Gray	ST	End Cover for STS 4 Terminal Blocks				
651—3038189	D-STs 6	A	Gray	ST	End Cover for STS-6 Terminal Blocks				
651—3205161	D-QTC 1.5	A	Gray	QT	End Cover for QTC 1.5 Terminal Blocks				
651—3205190	D-QTC 1.5-TWIN	A	Gray	QT	End Cover for QTC 1.5-Twin, QTC 1.5-TG Terminal Blocks				
651—3205174	D-QTC 1.5-QUATTRO	A	Gray	QT	End Cover for QTC 1.5-Quattro Terminal Blocks				

SEPARATING PLATES

• RoHS compliant per Phoenix documentation



RoHS Compliant

For quantities greater than listed, call for quote.

Mfr. Mfr. Part No.	Phoenix Type	Fig.	Color	Series	Description	Price Each			
						1	10	50	100
651—3047167	ATP-UT	B	Gray	UT	Separating Plate for UT 2.5, UT 4, UT 6, UT 10, & UT 2.5/1P Terminal Blocks				
651—3030721	ATP-ST 4	B	Gray	ST / DT	Separating Plate for ST 1.5, ST 2.5, ST 4, & DT 2.5 Terminal Blocks				
651—3030815	ATP-ST4-QUARTTO	B	Gray	ST	Separating Plate for ST 1.5-Quattro, ST 2.5-Quattro, ST 4-Quattro Terminal Blocks				
651—3030789	ATP-ST4-TWIN	B	Gray	ST	Separating Plate for ST 1.5-Twin, ST 2.5-Twin, & ST 4-Twin Terminal Blocks				
651—3030747	ATP-STTB-4	B	Gray	ST	Separating Plate for STTB 1.5, STTB 2.5, STTB 4 Terminal Blocks				
651—3024481	ATP-ZFK 2.5/6	B	Gray	ST	Separating Plate for STS 6 Terminal Blocks				
651—3206209	ATP-QTC	B	Gray	QT	Separating Plate for QTC 1.5 & QTC 2.5 Terminal Blocks				
651—3206212	ATP-QTC-TWIN	B	Gray	QT	Separating Plate for QTC 1.5-Twin & QTC 1.5-TG Terminal Blocks				
651—3206225	ATP-QTC-QUATTRO	B	Gray	QT	Separating Plate for QTC 1.5-Quattro Terminal Blocks				

STEP-DOWN BRIDGING

• RoHS compliant per Phoenix documentation



RoHS Compliant

For quantities greater than listed, call for quote.

Mfr. Mfr. Part No.	Phoenix Type	Fig.	Color	Series	Description	Price Each			
						1	10	50	100
651—3047060	RB UT-(2.5/4)	C	Red	UT	From connection UT 10 to UT 2.5 or UT 4				
651—3047086	RB UT-10-ST(2.5/4)	C	Red	UT	From Connection UT 10 to QTC 1.5 or QTC2.5, or DT 2.5, or ST 2.5 or ST 4				
651—3038943	RB-ST(2.5/4)-1.5	C	Red	ST	From Connection ST 4 to ST 1.5				
651—3030860	RB ST 6-(2.5/4)	C	Red	ST / QT	From Connection ST 6 to DT 2.5, or ST 2.5 or ST 4, or QTC 1.5 or QTC 2.5				
651—3030873	RB ST 10-(2.5/4)	C	Red	ST / QT	From Connection ST 10 to DT 2.5, or ST 2.5 or ST 4, or QTC 1.5 or QTC 2.5				

BRIDGES

• RoHS compliant per Phoenix documentation



RoHS Compliant

For quantities greater than listed, call for quote.

MOUSER STOCK NO. Mfr. Mfr. Part No.	Phoenix Type	Fig.	Color	No. of Pos.	Terminal Block Series	Price Each			
						1	10	50	100
651—3030161	FBS 2.5	D	Red	2	UT 2.5, UT 2.5/1P, STS 2.5, DT 2.5, QTC 1.5, 1.5-Twin, 1.5-Quattro, 1.5-TG, QTCU1.5-Twin				
651—3030336	FBS 2.6	D	Red	2	UT 4, UT 4-MT/TG, UT 4 HESI/HEDI, UT 4-MTD, STS 4, QTC 2.5				
651—3030284	FBS 2.8	D	Red	2	UT 6, STS 6				
651—3005947	FBS 2.10	D	Red	2	UT 10				
651—3030174	FBS 3.5	D	Red	3	UT 2.5, UT 2.5/1P, STS 2.5, DT 2.5, QTC 1.5, 1.5-Twin, 1.5-Quattro, 1.5-TG, QTCU1.5-Twin				
651—3030242	FBS 3.6	D	Red	3	UT 4, UT 4-MT/TG, UT 4 HESI/HEDI, UT 4-MTD, STS 4, QTC 2.5				
651—3030297	FBS 3.8	D	Red	3	UT 6, STS 6				
651—3030187	FBS 4.5	D	Red	4	UT 2.5, UT 2.5/1P, STS 2.5, DT 2.5, QTC 1.5, 1.5-Twin, 1.5-Quattro, 1.5-TG, QTCU1.5-Twin				
651—3030255	FBS 4.6	D	Red	4	UT 4, UT 4-MT/TG, UT 4 HESI/HEDI, UT 4-MTD, STS 4, QTC 2.5				
651—3030307	FBS 4.8	D	Red	4	UT 6, STS 6				
651—3030190	FBS 5.5	D	Red	5	UT 2.5, UT 2.5/1P, STS 2.5, DT 2.5, QTC 1.5, 1.5-Twin, 1.5-Quattro, 1.5-TG, QTCU1.5-Twin				
651—3030349	FBS 5.6	D	Red	5	UT 4, UT 4-MT/TG, UT 4 HESI/HEDI, UT 4-MTD, STS 4, QTC 2.5				
651—3030310	FBS 5.8	D	Red	5	UT 6, STS 6				
651—3030213	FBS 10.5	D	Red	10	UT 2.5, UT 2.5/1P, STS 2.5, DT 2.5, QTC 1.5, 1.5-Twin, 1.5-Quattro, 1.5-TG, QTCU1.5-Twin				
651—3030271	FBS 10.6	D	Red	10	UT 4, UT 4-MT/TG, UT 4 HESI/HEDI, UT 4-MTD, STS 4, QTC 2.5				
651—3030323	FBS 10.8	D	Red	10	STS 6				
651—3030226	FBS 20.5	D	Red	20	UT 2.5, UT 2.5/1P, STS 2.5, DT 2.5, QTC 1.5, 1.5-Twin, 1.5-Quattro, 1.5-TG, QTCU1.5-Twin				
651—3030365	FBS 20.6	D	Red	20	UT 4, UT 4-MT/TG, UT 4 HESI/HEDI, UT 4-MTD, STS 4, QTC 2.5				

TEST ADAPTERS

• RoHS compliant per Phoenix documentation



RoHS Compliant

For quantities greater than listed, call for quote.

MOUSER STOCK NO. Mfr. Mfr. Part No.	Phoenix Type	Fig.	Color	Terminal Block Series	Price Each			
					1	10	50	100
651—3030925	PAI 4	E	Gray	UT 2.5,4,6,4-MT/TG,4-MTD,2.5/1P, STS 2.5,4,6, DT 2.5, QTC 1.5, 1.5-Twin,1.5-Quattro,1.5-TG, QTCU1.5-TWIN				

TEST PLUGS

• RoHS compliant per Phoenix documentation



RoHS Compliant

For quantities greater than listed, call for quote.

Mfr. Mfr. Part No.	Phoenix Type	Fig.	Color	Terminal Block Series	Price Each			
					1	10	50	100
651—3030983	PS-5	F	Red	UT 2.5, UT 2.5/1P, STS 2.5, DT 2.5, QTC 1.5, 1.5-Twin, 1.5-Quattro, 1.5-TG, QTCU1.5-Twin				
651—3030996	PS-6	F	Red	UT 4, UT 4-MT/TG, UT 4-MTD, STS 4, QTC 2.5				
651—3031005	PS-8	F	Red	UT 6, STS 6				

PHOENIX CONTACT CLIPLINE DIN Rail Terminal Blocks



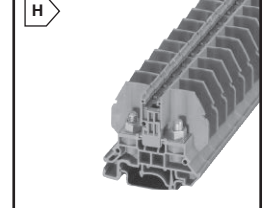
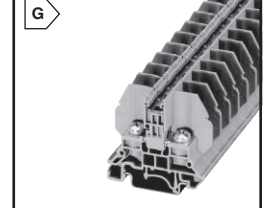
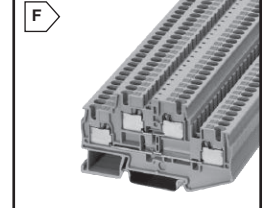
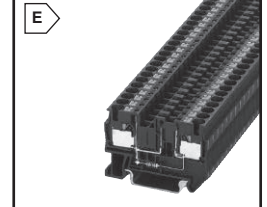
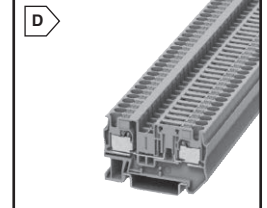
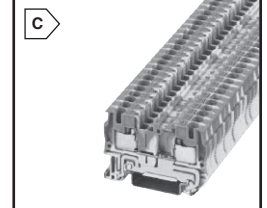
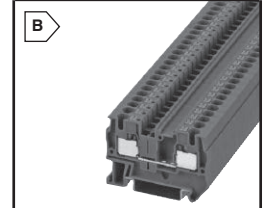
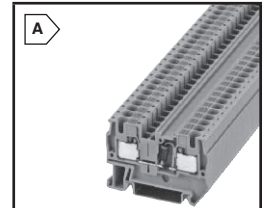
PUSH-IN CONNECTION TECHNOLOGY 4 mm² TERMINAL BLOCKS

Features:

- Orange push button located on the actuation shaft opens the spring wiring space from 0.14mm²/26 AWG TO 6mm²/10 AWG resulting in fast, clear wiring and high-contacting safety
- Three standard marker grooves allow individual terminal point labeling with the one marking material
- Front connection for space-saving convenient wiring

For quantities greater than listed, call for quote.

MOUSER STOCK NO.		Phoenix Type	Fig.	Color	AWG	Voltage Rating	Current Rating	Dimensions (mm)			Price Each			
Mfr.	Mfr. Part No.							H	L	W	1	10	50	100
Component Terminal Blocks														
651—3212112		PT 4-DIO 1N 5408/L-R	A	Gray	24-10	800V	1.5A	36.5	56.0	6.2				
651—3212125		PT 4-DIO 1N 5408/R-L	A	Gray	24-10	800V	1.5A	36.5	56.0	6.2				
651—3211919		PT 4-QUATTRO-DIO 1N 5408/L-R	A	Gray	24-10	8 KV	1.5A	36.5	77.0	6.2				
651—3211921		PT 4-QUATTRO-DIO 1N 5408/R-L	A	Gray	24-10	8 KV	1.5A	36.5	77.0	6.2				
Feed-through Terminal Blocks														
651—3211760		PT 4 BU	B	Blue	24-10	800V	32A	36.5	56.0	6.2				
651—3211771		PT 4-TWIN	B	Gray	24-10	800V	32A	36.5	66.5	6.2				
651—3211775		PT 4-TWIN BU	B	Blue	24-10	800V	32A	36.5	66.5	6.2				
651—3211797		PT 4-QUATTRO	B	Gray	24-10	800V	32A	36.5	77.0	6.2				
651—3211802		PT 4-QUATTRO BU	B	Blue	24-10	800V	32A	36.5	77.0	6.2				
Ground Terminal Blocks														
651—3211766		PT 4-PE	C	Gr/Yel	24-10	8 KV	-	36.5	56.0	6.2				
651—3211780		PT 4-TWIN-PE	C	Gr/Yel	24-10	8 KV	-	36.5	66.5	6.2				
651—3211809		PT 4-QUATTRO-PE	C	Gr/Yel	24-10	8 KV	-	36.5	77.0	6.2				
Disconnect Terminal Blocks														
651—3211922		PT 4-TG	D	Gray	24-10	400V	20A	36.5	56.0	6.2				
651—3211933		PT 4-MT	D	Gray	24-10	400V	20A	36.5	56.0	6.2				
Fuse Terminal Blocks														
651—3208951		PT 4-FSI/F-LED 12	E	Black	24-10	12V	10A	36.5	56.0	6.2				
651—3208964		PT 4-FSI/F-LED 24	E	Black	24-10	24V	10A	36.5	56.0	6.2				
651—3211903		PT 4-HESILED 24 (5X20)	E	Black	24-10	24V	6.3A	62.5	56.0	6.2				
651—3207908		PT 4-HESILED 60 (5X20)	E	Black	24-10	60V	6.3A	62.5	56.0	6.2				
651—3211907		PT 4-HESILA 250 (5X20)	E	Black	24-10	250V	6.3A	62.5	56.0	6.2				
651—3208943		PT 4-FSI/F	E	Black	24-10	400V	10A	36.5	56.0	6.2				
651—3211861		PT 4-HESI (5X20)	E	Black	24-10	500V	6.3A	62.5	56.0	6.2				
Double Level Terminal Blocks														
651—3211786		PTTB 4	F	Gray	24-10	500V	28A	47.5	83.5	6.2				
651—3211793		PTTB 4 BU	F	Blue	24-10	500V	28A	47.5	83.5	6.2				
651—3211825		PTTB 4-PV	F	Gray	24-10	500V	30A	47.5	83.5	6.2				
651—3211854		PTTB 4-PE	F	Gr/Yel	24-10	6 KV	-	47.5	83.5	6.2				



Terminal Blocks

Phoenix Contact

RSC AND RBO OPEN-STYLE CONNECTOR TERMINALS

Features:

- Open-style connector terminals with screw and bolt connections
- Modular terminations for switchgear offer advantages over barrier blocks
- Polyamide material meets flammability class V0 per UL 94
- RSC/RBO connector terminals are UL listed at 600V with electrical current ratings from 30A to 45A

For quantities greater than listed, call for quote.

MOUSER STOCK NO.		Phoenix Type	Fig.	Cross Section	AWG	Voltage Rating	Current Rating	Dimensions (mm)			Price Each			
Mfr.	Mfr. Part No.							H	L	W	1	10	50	100
Ring Screw														
651—3058127		RSC 4	G	0.1 - 6 mm ²	26-10	800	32	9	53.3	47.1				
651—3058130		RSC 4-F	G	0.1 - 6 mm ²	26-10	800	32	9	53.3	37.0				
651—3058143		RSC 5	G	0.1 - 10 mm ²	26-8	800	57	13	53.3	47.1				
651—3058156		RSC 5-F	G	0.1 - 10 mm ²	26-8	800	57	13	53.3	37.0				
651—3058172		RSC 5-T	G	0.1 - 6 mm ²	26-8	800	50	13	79.9	49.8				
651—3058334		RSC 5-T-F	G	0.1 - 6 mm ²	26-8	800	50	13	79.9	39.7				
651—3214916		RSC 5-T-B	G	0.1 - 6 mm ²	26-10	800	50	13	79.9	49.8				
651—3214929		RSC 5-T-F-B	G	0.1 - 6 mm ²	26-10	800	50	13	79.9	39.7				
Ring Bolt														
651—3058059		RBO 5	H	0.1 - 6 mm ²	26-10	800	57	13	53.3	47.0				
651—3058062		RBO 5-F	H	0.1 - 6 mm ²	26-10	800	57	13	53.3	37.0				
651—3058114		RBO 5-T	H	0.1 - 6 mm ²	26-10	800	50	13	79.9	49.8				
651—3058169		RBO 5-T-F	H	0.1 - 6 mm ²	26-10	800	50	13	79.9	39.7				
651—3214932		RBO 5-T-B	H	0.1 - 6 mm ²	26-10	800	50	13	79.9	49.8				

Accessories

For quantities greater than listed, call for quote.

MOUSER STOCK NO.		Phoenix Type	Description	Price Each			
Mfr.	Mfr. Part No.			1	10	50	100
651—3058017		AP RSC	Profile Cover				
651—3058020		D-RSC 5	End Cover 53.3mm				
651—3059647		D-RSC 5-F	End Cover for RSC/RBO 5-F				
651—3058046		D-RSC 5-T	End Cover 79.9mm				
651—3059346		D-RSC 5-T-F	End Cover for RSC/RBO 5-T-F				
651—3059126		FB 10-13	Fixed Bridge 10P				
651—3059113		FB 10-9	Fixed Bridge 10P				

PHOENIX CONTACT DIN Rail Mounted Terminal Blocks



DIN RAIL MOUNTED TERMINAL FUSE BLOCKS

DIMENSIONS (mm)

A	B	C	D	E	F	G	H
<ul style="list-style-type: none"> Width: 17.5mm Fuse Size: 10.3x38 18-4AWG (UL) 600V (UL) 30A (UL) Color: Black 	<ul style="list-style-type: none"> Width: 36mm Fuse Size: 20.6x57 18-14AWG (UL) 600V (UL) 30A (UL) Color: Black 	<ul style="list-style-type: none"> Width: 40mm Fuse Size: 27x60 14-1AWG (UL) 600V (UL) 60A (UL) Color: Black 	<ul style="list-style-type: none"> Width: 8.2mm Fuse Size: 5x20mm, 5x25mm, 5x30mm 26-10AWG (UL) 600V (UL) 12A (UL) Color: Black 	<ul style="list-style-type: none"> Width: 10.2mm Fuse Size: 6.3x32mm 26-8 AWG (UL) 600V (UL) 25A (UL) Color: Black 	<ul style="list-style-type: none"> Width: 18mm Fuse Size: 10.3x38mm 16-4AWG (UL) 600V (UL) 30A (UL) Color: Black 	<ul style="list-style-type: none"> Width: 8.2mm Fuse Size: 5x20mm, 6.3x32mm 24-8AWG (UL) 15A upper/30A lower (UL) 600V (UL) Color: Black 	<ul style="list-style-type: none"> Width: 8.2mm Fuse Size: 6.3x32mm 24-8AWG (UL) 15A upper/ 30A lower (UL) 600V (UL) Color: Black

Fuse Terminal Blocks with Disconnect Lever

For quantities greater than listed, call for quote. Accessories (See accessories page for pricing and descriptions)

MOUSER STOCK NO. Mfr. Mfr. Part No.	Fig.	Phoenix Type	Description	Dimensions (mm)			Price Each			Insertion Bridge	Fixed Bridge	Screwdriver	End Bracket	Din Rail Type
				A	B		1	10	50					
Branch Circuit Protection - Class CC and J														
651-3048580	A	UK 10.3-CC HESI	For Class CC fuses	81	73					651-3009299	-	651-1205066	-	NS 35
651-3048616	A	UK 10.3-CC HESI LED	For Class CC fuses w/ LED, 110-600V	81	73					651-3009367	-	651-1205066	-	NS 35
651-3211058	B	UK 20.6-J HESI	For Class J fuses	118	96.5					-	-	651-1205066	-	NS 35
651-3211087	B	UK 20.6-J HESI LED	For Class J fuses w/ LED, 110-600V	118	96.5					-	-	651-1205066	-	NS 35
651-3211113	C	UK 27-J HESI	For Class J fuses	118	96.5					-	-	651-1205066	-	NS 35
651-3211142	C	UK 27-J HESI LED	For Class J fuses w/ LED, 110-600V	118	96.5					-	-	651-1205066	-	NS 35
Fuse Terminal Blocks with Disconnect Lever														
651-3004100	D	UK 5 HESI	Fuse Block	72.5	56.5					651-3118135	-	651-1205053	651-0800886	NS 35
651-3004126	D	UK 5 HESI LED 24	Fuse Block w/ LED, 15-30V	72.5	56.5					651-3118135	-	651-1205053	651-0800886	NS 35
651-3004142	D	UK 5 HESILA 250	Fuse Block w/ LED, 110-250V	72.5	56.5					651-3118135	-	651-1205053	651-0800886	NS 35
651-3004171	E	UK 6.3 HESI	Fuse Block	79	60.5					651-0203137	-	651-1205066	651-0800886	NS 35
651-3004265	E	UK 6.3 HESI LED 24	Fuse Block w/ LED, 15-30V	79	60.5					651-0203137	-	651-1205066	651-0800886	NS 35
651-3004249	E	UK HESILA 250	Fuse Block w/ LED, 110-250V	79	60.5					651-0203137	-	651-1205066	651-0800886	NS 35
651-3048386	F	UK 10.3 HESI N	Fuse Block	81	79					651-3009299	-	651-1205066	651-0800886	NS 35
651-3048399	F	UK 10.3 HESI LED N 690	Fuse Block w/ LED, 220-690V	81	79					651-3009367	-	-	-	-
651-3007204	G	UKK 5 HESI (5x20)	Fuse Block	86.5	79					-	651-2772080	651-1205053	651-0800886	NS 35
651-3026654	G	UKK5 HESI LED 24 (5x20)	Fuse Block w/LED, 15-30V	86.5	79					-	651-2772080	651-1205053	651-0800886	NS 35
651-0711629	G	UKK 5 HESILA 250 (5x20)	Fuse Block w/ LED, 110-250V	86.5	79					-	651-2772080	651-1205053	651-0800886	NS 35
651-3007217	H	UKK 5 HESI (6.3x32)	Fuse Block	86.5	79					-	651-2772080	651-1205053	651-0800886	NS 35
651-0711632	H	UKK 5 HESI LED 24 (6.3x32)	Fuse Block w/ LED for 15-30V	86.5	79					-	651-2772080	651-1205053	651-0800886	NS 35
651-0711616	H	UKK5 HESILA 250 (6.3x32)	Fuse Block w/ LED, 110-250V	86.5	79					-	651-2772080	651-1205053	651-0800886	NS 35

DIKD 1.5TG <ul style="list-style-type: none"> Width: 6.2mm 30-14AWG (UL) 300V (UL) 15A (UL) 3 Levels Color: Gray 	DIK 1.5 <ul style="list-style-type: none"> Width: 6.2mm 30-14AWG (UL) 300V (UL) 15A (UL) 3 Levels Color: Gray 	DIKD 1.5 <ul style="list-style-type: none"> Requires fuse plug Width: 6.2mm 28-12AWG (UL) 300V (UL) 15A (UL) 6.3A (UL) Color: Gray
UK 4-TG <ul style="list-style-type: none"> Requires fuse plug Width: 6.2mm 30-12AWG (UL) 300V (UL) 15A (UL) Color: Gray 	UDK 4-TG <ul style="list-style-type: none"> Requires fuse plug Width: 6.2mm 26-12AWG (UL) 300V (UL) 15A (UL) 15A upper/ 25A lower (UL) Color: Gray 	UKK5-TG <ul style="list-style-type: none"> Requires fuse plug Width: 6.2mm 30-14AWG (UL) 300V (UL) 15A (UL) 3 Levels Color: Gray

Three Level Sensor Terminal Blocks

For quantities greater than listed, call for quote. Accessories (See accessory page for pricing and descriptions)

MOUSER STOCK NO. Mfr. Mfr. Part No.	Fig.	Phoenix Type	Dimensions (mm)		Price Each			Partition Plate	Fixed Bridge	Insertion Bridge	Fuse Plug	Fusle 30V Light	Fuse 250V Light	Screwdriver	End Bracket	Din Rail Type
			A	B	1	10	50									
651-2774237	A	DIKD 1.5 TG	72.5	54.5				651-1413285	-	651-2715940	651-0921011	651-0921037	651-0921053	651-1205053	651-0800886	NS 35
651-2715966	B	DIK 1.5	55.0	54.5				651-1413272	651-0203250	651-2715940	-	-	-	651-1205053	651-0800886	NS 35
651-2715979	C	DIKD 1.5	72.5	54.5				651-1413285	651-0203250	651-2715940	-	-	-	651-1205053	651-0800886	NS 35

Base Terminal Blocks for Cartridge Fuse

For quantities greater than listed, call for quote. Accessories (See accessory page for pricing and descriptions)

MOUSER STOCK NO. Mfr. Mfr. Part No.	Fig.	Phoenix Type	Dimensions (mm)		Price Each			End Cover	Partition Plate	Fixed Bridge	Insertion Bridge	Fuse Plug	Fuse 30V Light	Screwdriver	End Bracket	Din Rail Type
			A	B	1	10	50									
651-2812018	D	UK 4 -TG	42.5	47.0				651-3003020	651-3003224	-	651-0201139	651-0921011	651-0921037	651-0921053	651-0800886	NS 35
651-2777014	E	UDK 4-TG	63.5	47.0				651-2777027	-	651-0203250	651-0201139	651-0921011	651-0921037	651-0921053	651-0800886	NS 35
651-3007042	F	UKK 5-TG	80.0	68.5				-	-	651-0203250	651-0201139	651-0921011	651-0921037	651-0921053	651-0800886	NS 35

PHOENIX CONTACT DIN Rail Terminal Blocks



UK UNIVERSAL DIN RAIL TERMINAL BLOCKS

• Screw cage clamp connections • Contacts made from nickel plated copper alloy

For quantities greater than listed, call for quote.

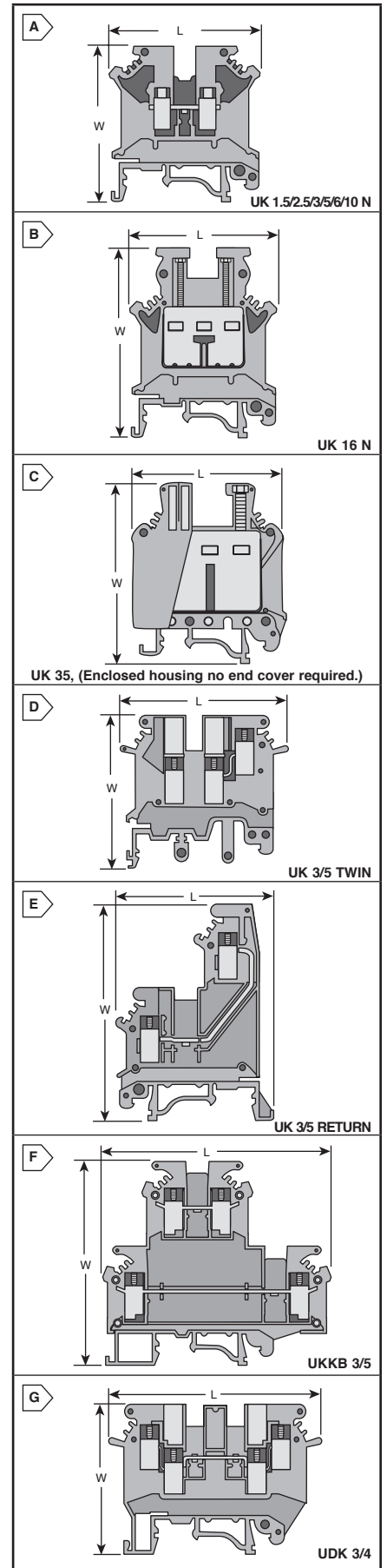
MOUSER STOCK NO.		Fig.	Phoenix Type	Color	AWG	Voltage Rating	Current Rating	Dimensions (mm)			Price Each				
Mfr.	Mfr. Part No.							H	L	W	1	10	50	100	
Universal Feed-Thru Terminal Blocks															
651—3005837		A	UK 1.5 N	Gray	30-14	300	15	42	42.5	4.2					
651—3005840		A	UK 1.5 N BU	Blue	30-14	300	15	42	42.5	4.2					
651—3003347		A	UK 2.5 N	Gray	30-12	300	20	42	42.5	5.2					
651—3003350		A	UK 2.5 N BU	Blue	30-12	300	20	42	42.5	5.2					
651—3001501		A	UK 3 N	Gray	28-12	600	20	47	42.5	5.2					
651—3001514		A	UK 3 N BU	Blue	28-12	600	20	47	42.5	5.2					
651—3004362		A	UK 5 N	Gray	30-10	600	30	47	42.5	6.2					
651—3004388		A	UK 5 N BU	Blue	30-10	600	30	47	42.5	6.2					
651—3004524		A	UK 6 N	Gray	26-8	600	50	47	42.5	8.2					
651—3004977		A	UK 6 N BU	Blue	26-8	600	50	47	42.5	8.2					
651—3005073		A	UK 10 N	Gray	24-6	600	65	47	42.5	10.2					
651—3005086		A	UK 10 N BU	Blue	24-6	600	65	47	42.5	10.2					
651—3006043		B	UK 16 N	Gray	22-4	600	85	54	42.5	12.2					
651—3006056		B	UK 16 N BU	Blue	22-4	600	85	54	42.5	12.2					
651—3008012		C	UK 35	Gray	18-1/0	1000	150	62	50	15.2					
651—3008025		C	UK 35 BU	Blue	18-1/0	1000	150	62	50	15.2					
Universal Ground Terminal Blocks															
651—3005853		-	USLKG 1.5 N	Gr/Yel	30-14	-	-	42	42.5	4.2					
651—0441119		-	USLKG 2.5 N	Gr/Yel	30-12	-	-	42	42.5	5.2					
651—0441083		-	USLKG 3	Gr/Yel	28-12	-	-	47	42.5	2.2					
651—0441504		-	USLKG 5	Gr/Yel	26-10	-	-	47	42.5	6.2					
651—0442079		-	USLKG 6 N	Gr/Yel	26-8	-	-	47	42.5	8.2					
651—3003923		-	USLKG 10 N	Gr/Yel	24-6	-	-	47	42.5	10.2					
651—0443023		-	USLKG 16 N	Gr/Yel	22-4	-	-	54	42.5	12.2					
651—0444019		-	USLKG 35	Gr/Yel	18-1/0	-	-	62	50	15.2					
Universal Twin Conductor Feed Thru Terminal Blocks															
651—3002225		D	UK 3-TWIN	Gray	30-12	300	20	47	50.5	5.2					
651—3002416		D	UK 3-TWIN BU	Blue	30-12	300	20	47	50.5	5.2					
651—1923021		D	UK 5-TWIN	Gray	30-10	300	30	47	50.5	6.2					
651—1923047		D	UK 5-TWIN BU	Blue	30-10	300	30	47	50.5	6.2					
Universal Twin Ground Terminal Block															
651—1923076		-	UK 5-TWIN-PE	Gr/Yel	30-10	-	-	47	50.5	6.2					
Universal Return Terminal Blocks															
651—3002513		E	UK 3 RETURN	Gray	30-12	300	20	58.5	47.5	5.2					
651—3002597		E	UK 5 RETURN	Gray	30-10	300	30	58.5	47.5	6.2					
651—3002490		E	UK 5 RETURN BU	Blue	30-10	300	30	58.5	47.5	6.2					
Universal Return Ground Terminal Blocks															
651—3002555		-	UK 3 RETURN PE	Gr/Yel	30-10	-	-	58.5	42.5	5.2					
651—3002584		-	UK 5 RETURN PE	Gr/Yel	30-10	-	-	58.5	42.5	6.2					
Universal Double Level Terminal Blocks - Double Feed Thru															
651—2771010		F	UKKB 3	Gray	28-12	600	20	62	67	5.2					
651—2771094		F	UKKB 3 BU	Blue	28-12	600	20	62	67	5.2					
651—2771146		F	UKKB 5	Gray	26-10	600	30	62	67	6.2					
Universal Double Level Ground Terminal Block															
651—3007123		-	UKKB 5-PE	Gr/Yel	26-10	-	-	62	67	6.2					
Universal Double Level Terminal Blocks - Single Feed Thru															
651—2775375		G	UDK 3	Gray	30-12	300	20	47	63.5	5.2					
651—2775016		G	UDK 4	Gray	30-10	600	30	47	63.5	6.2					
Universal Double Level Ground Terminal Block															
651—2775456		-	UDK 3-PE	Gr/Yel	30-12	-	-	47	63.5	5.2					
651—2775184		-	UDK 4-PE	Gr/Yel	30-10	-	-	47	63.5	6.2					



RoHS Compliant

For quantities greater than listed, call for quote.

MOUSER STOCK NO.		Phoenix Type	Color	Description	Price Each			
Mfr.	Mfr. Part No.				1	10	50	100
Universal DIN Rail Terminal Block Accessories								
651—3001022		D-UK 2.5	Gray	End Cover for UK 1.5/2.5				
651—3001103		D-UK 2.5 BU	Blue	End Cover for UK 1.5/2.5 BU				
651—3003020		D-UK 4/10	Gray	End Cover for UK 3/5/6/10				
651—3003101		D-UK 4/10 BU	Blue	End Cover for UK 3/5/6/10 BU				
651—3006027		D-UK 16	Gray	End Cover for UK 16				
651—3006108		D-UK 16 BU	Blue	End Cover for UK 16 BU				
651—3002539		D-UK 3-RETURN	Gray	End Cover for UK 3 Return				
651—3002571		D-UK 3-RETURN BU	Blue	End Cover for UK 3 Return BU				
651—1923034		D-UK 5-TWIN	Gray	End Cover for UK 3/5 TWIN				
651—1923050		D-UK 5-TWIN BU	Blue	End Cover UK 3/5 TWIN BU				
651—3003224		ATP-UK	Gray	Partition Plate				
651—3008096		TP-UK 35	Gray	Separating Plate				
Fully Insulated Divisible Insertion Bridges								
651—2303145		EBL 2-5	Red	2-Position for UK2.5/3 N				
651—0201155		EB 2-6	Red	2-Position for UK5 N				
651—0202154		EB 2-8	Red	2-Position for UK6 N				
651—0203153		EB 2-10	Red	2-Position for UK10 N				
651—2303158		EBL 3-5	Red	3-Position for UK2.5/3 N				
651—0201142		EB 3-6	Red	3-Position for UK5 N				
651—0202141		EB 3-8	Red	3-Position for UK6 N				
651—0203328		EB 3-10	Red	3-Position for UK10 N				
651—2303132		EBL 10-5	Red	10-Position for UK 2.5/3 N				
651—0201139		EB 10-6	Red	10-Position for UK5 N				
651—0202138		EB 10-8	Red	10-Position for UK6 N				
651—0203137		EB 10-10	Red	10-Position for UK10 N				
651—3006137		EB 10-12	Red	10-Position for UK16 N				
651—0205135		EB 10-15	Red	10-Position for UK35 N				
Fixed Bridge Bar with Insulated Screws								
651—3001624		FBRN 10-4 N	-	10-Position for UK 1.5 N				
651—2770642		FBRI 10-5 N	-	10-Position for UK2.5/3 N				
651—0203250		FBI 10-6	-	10-Position for UK5 N				
651—0203263		FBI 10-8	-	10-Position for UK6 N				
651—0203276		FBI 10-10	-	10-Position for UK10 N				
651—0203454		FBI 10-12	-	10-Position for UK16 N				
651—0201333		FBI 2-15	-	2-Position for UK35 N				
651—0201278		FBI 3-15	-	3-Position for UK35 N				



PHOENIX CONTACT DIN Rail Terminal Blocks



MT MICRO MINIATURE DIN RAIL TERMINAL BLOCKS

Micro DIN rail terminal block for NS 15 DIN Rail. Screw clamp connections.
 • RoHS compliant per Phoenix documentation



For quantities greater than listed, call for quote.

MOUSER STOCK NO.		Fig.	Phoenix Type	Color	AWG	Voltage Rating	Current Rating	Dimensions (mm)			Price Each			
Mfr.	Mfr. Part No.							H	L	W	1	10	50	100
MT Micro Miniature Feed-Thru DIN Rail Terminal Blocks														
651—3100305		A	MT 1.5	Gray	30-14	300	15A	23.5	22.0	4.2				
651—3003363		A	MT 1.5 BU	Blue	30-14	300	15A	23.5	22.0	4.2				
651—3001679		B	MT 1.5 QUATTRO	Gray	30-14	300	15A	30.0	33.5	4.2				
651—3001682		C	MT 1.5 TWIN	Gray	30-14	300	15A	30.0	28.0	4.2				
651—3025532		C	MT 1.5 TWIN BU	Blue	30-14	300	15A	30.0	28.0	4.2				
651—1414129		D	MTTB 1.5	Gray	30-14	300	15A	41.0	44.0	4.2				
MT Micro Miniature Ground DIN Rail Terminal Blocks														
651—3100318		-	MT 1.5 PE	Gr/Yel	30-14	-	-	23.5	22.0	4.2				
651—3001695		-	MT 1.5 QUATTRO PE	Gr/Yel	30-14	-	-	30.0	28.0	4.2				
651—3001705		-	MT 1.5 TWIN PE	Gr/Yel	30-14	-	-	30.0	33.5	4.2				

Accessories

MOUSER STOCK NO.		Phoenix Type	Color	Description	Price Each			
Mfr.	Mfr. Part No.				1	10	50	100
651—3100321		D-MT 1.5	Gray	End Cover for MT 1.5				
651—3025529		D-MT 1.5 BU	Blue	End Cover for MT 1.5 BU				
651—3002982		D-MT 1.5 QUATTRO	Gray	End Cover for MT 1.5 QUATTRO				
651—3002979		D-MT 1.5 TWIN	Gray	End Cover for MT 1.5 TWIN				
651—3025545		D-MT 1.5 TWIN BU	Blue	End Cover for MT 1.5 TWIN BU				
651—3002678		DG-MTTB 1.5	Gray	Spacer Cover for MTTB 1.5				
651—3002665		D-MTTB 1.5	Gray	End Cover for MTTB 1.5				
651—3002681		DP-MTTB 1.5	Gray	Spacer Plate for MTTB 1.5				

MBK MINIATURE DIN RAIL TERMINAL BLOCKS

• RoHS compliant per Phoenix documentation
 The "larger" miniature terminal block for NS 15 DIN rail. Screw clamp connections.



For quantities greater than listed, call for quote.

MOUSER STOCK NO.		Fig.	Phoenix Type	Color	AWG	Voltage Rating	Current Rating	Dimensions (mm)			Price Each			
Mfr.	Mfr. Part No.							H	L	W	1	10	50	100
MBK Miniature Feed-Thru DIN Rail Terminal Blocks														
651—1413036		E	MBK 3/E Z	Gray	28-12	600	20A	32.0	28.0	5.2				
651—1402940		F	MBK 5/E Z	Gray	26-10	600	30A	32.0	28.0	6.2				
651—1414064		G	MBKKB 2.5	Gray	30-12	300	20A	48.0	62.0	5.2				
MBK Miniature Ground DIN Rail Terminal Blocks														
651—1413117		-	MBK 3/E Z PE	Gr/Yel	28-12	-	-	31.5	28.0	5.2				
651—0452043		-	MBK 5/E Z PE	Gr/Yel	26-10	-	-	32.0	28.0	5.2				

Accessories

MOUSER STOCK NO.		Phoenix Type	Color	Description	Price Each			
Mfr.	Mfr. Part No.				1	10	50	100
651—1413227		ATP-MBK	Gray	Partition Plate				
651—1415021		DMBK/E	Gray	End Cover for 3 & 5/ E Z				
651—1401158		EB 2-5 N	Red	2 Pos. Insertion Bridge				
651—1401145		EB 3-5 N	Red	3 Pos. Insertion Bridge				
651—1401132		EB 10-5 N	Red	10 Pos. Insertion Bridge				
651—1413052		D-MBKKB 2.5	Gray	End Cover				
651—1413065		DP-MBKKB 2.5	Gray	Spacer Plate				

OTTA BOLT CONNECTION DIN RAIL TERMINAL BLOCKS

Bolt connection terminal blocks for ring lug terminals. Unique hinged cover wings which hold the terminal nuts. For quantities greater than listed, call for quote.

MOUSER STOCK NO.		Fig.	Phoenix Type	Color	Ring Lug Size	Voltage Rating	Current Rating	Dimensions (mm)			Price Each			
Mfr.	Mfr. Part No.							H	L	W	1	10	50	100
OTTA Bolt Connection Feed-Thru DIN Rail Terminal Blocks														
651—0790530		H	OTTA 2.5	Gray	M3	600	20A	45.5	43.5	9.0				
651—0790433		I	OTTA 6	Gray	M4	600	30A	52.0	43.5	9.0				
* 651—0790462		J	OTTA 6-T-P/P	Gray	M4	600	30A	52.0	69.0	11.0				
OTTA Bolt Connection Ground DIN Rail Terminal Blocks														
651—0790556		-	OTTA 2.5 PE	Gr/Yel	M3	-	-	45.5	43.5	9.0				
651—0790527		-	OTTA 6 PE	Gr/Yel	M4	-	-	52.0	43.5	11.0				

* Includes 4mm female test connector



End Covers

MOUSER STOCK NO.		Phoenix Type	Color	Description	Price Each			
Mfr.	Mfr. Part No.				1	10	50	100
651—0790569		D-OTTA 2.5	Gray	End Cover for OTTA 2.5				
651—0790417		D-OTTA 6	Gray	End Cover for OTTA 6				
651—0790459		D-OTTA 6-T	Gray	End Cover for OTTA 6-T				

MTK KNIFE DISCONNECT DIN RAIL TERMINAL BLOCKS

** Feed-through terminal block w/o knife disconnect.
 • RoHS Compliant per Phoenix documentation.

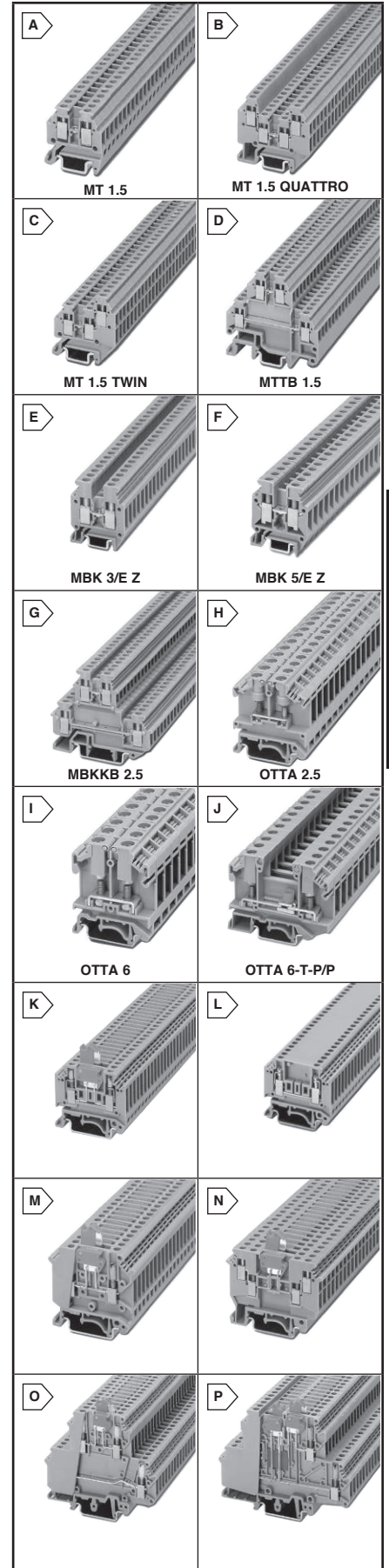


For quantities greater than listed, call for quote.

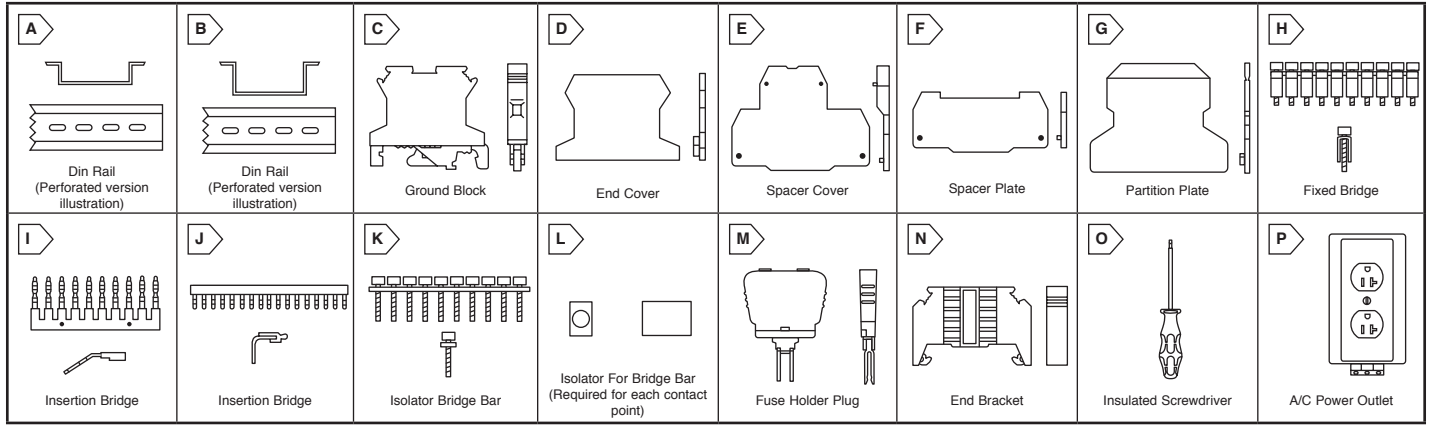
MOUSER STOCK NO.		Fig.	Phoenix Type	Color	AWG	Voltage Rating	Current Rating	Dimensions (mm)			Price Each			
Mfr.	Mfr. Part No.							H	L	W	1	10	50	100
651—3101016		K	MTK	Gray	28-12	300	10A	51.5	46	5.2				
651—3104013		K	MTK-P/P	Gray	28-12	300	10A	51.5	46	5.2				
** 651—3100017		L	MTKD	Gray	28-12	300	10A	51.5	46	5.2				
651—3004032		M	UK 5-MTK-P/P	Gray	22-12	600	15A	58.5	51	6.2				
651—2775210		N	UDK 4-MTK-P/P	Gray	22-10	600	10A	47	63.5	6.2				
651—2800004		O	UKK 5-MTK-P/P	Gray	26-12	300	15A	68	80	6.2				
651—3101087		P	UDMTK 5-P/P	Gray	26-12	300	15A	68.5	93	6.2				

Accessories

MOUSER STOCK NO.		Phoenix Type	Color	Description	Price Each			
Mfr.	Mfr. Part No.				1	10	50	100
651—3101029		D-MTK	Gray	End Cover for MTK				
651—3101223		ATS-MTK	Gray	Partition Plate for MTK				
651—3004210		ATP-UK 5-MTK	Gray	Partition Plate for UK 5-MTK				
651—2775113		D-UDK 4	Gray	End Cover for UDK 4-MTK				
651—3100266		TP-UDMTK 5	Gray	Partition Plate for UDMTK 5				



Terminal Blocks Phoenix Contact



DIN RAIL TERMINAL BLOCK ACCESSORIES

DIN RAIL TERMINAL BLOCK ACCESSORIES

For quantities greater than listed, call for quote.

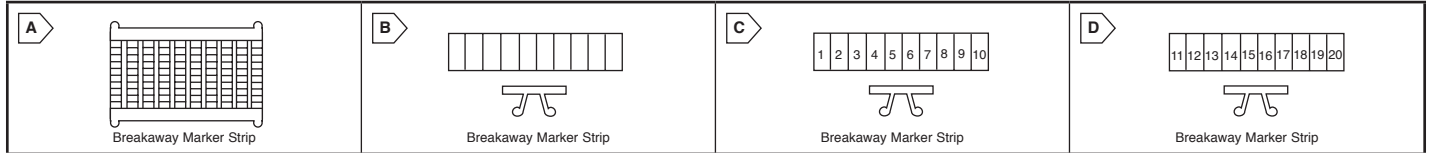
For quantities greater than listed, call for quote.

MOUSER STOCK NO.		Fig.	Phoenix Type	Description	Price Each		
Mfr.	Mfr. Part No.				1	10	50
651-5602099		A	NS 15	15mmx5.5mmx1m DIN Rail Perf.			
651-5602100		A	NS 35/7.5	35mmx7.5mmx1m DIN Rail Perf.			
651-5603400		A	NS 35/7.5	35mmx7.5mmx1m DIN Rail Unperf.			
* 651-0801733		A	NS 35/7.5	35mmx7.5mmx2m DIN Rail Perf.			
651-5603401		B	NS 35/15	35mmx15mmx1m DIN Rail Perf.			
* 651-5604188		-	NS 35/58 AL	35mmx58mmx2m DIN Rail Perf.			
651-3100318		C	MT 1.5 PE	4.2mm Ground Block (30-14 AWG)			
651-1413117		C	MBK 3/E-Z-PE	5.2mm Ground Block (30-12 AWG)			
651-0452043		C	MBK 5/E-Z-PE	6.2mm Ground Block (24-10 AWG)			
651-3005853		C	USLKG 1.5 N	4.2mm Ground Block (30-14 AWG)			
651-0441119		C	USLKG 2.5 N	5.2mm Ground Block (30-12 AWG)			
651-0441504		C	USLKG 5	6.2mm Ground Block (26-10 AWG)			
651-0442079		C	USLKG 6 N	8.2mm Ground Block (26- 8 AWG)			
651-3003923		C	USLKG 10 N	10.2mm Ground Block (24-6 AWG)			
651-2774211		C	UKK 5-PE	6.2mm Ground Blk. (26-10 AWG) 2 Pos.			
651-3100321		D	D-MT 1.5	End Cover			
651-3002665		D	D-MTTB 1.5	End Cover			
651-1415021		D	D-MBK/E	End Cover			
651-3001022		D	D-UK 2.5	End Cover			
651-3003020		D	D-UK 4/10	End Cover			
651-2770024		D	D-UKK 3/5	End Cover			
651-2777027		D	D-UDK RELG	End Cover			
651-3002678		E	DG-MTTB 1.5	Spacer Cover			
651-2770817		E	DG-UKK 3/5	Spacer Cover			
651-3002681		F	DP-MTTB 1.5	Spacer Plate			
651-2770794		F	DP-UKK 3/5	Spacer Plate			
651-3003224		G	ATP-UK	Partition Plate			
651-1413285		G	ATP-DIKD 1.5	Partition Plate			

* 2 meter length, priced per meter

MOUSER STOCK NO.		Fig.	Phoenix Type	Description	Price Each		
Mfr.	Mfr. Part No.				1	10	50
651-1413272		G	ATP-DIK 1.5	Partition Plate			
651-3001624		H	FBRN 10-4 N	10 Position Fixed Bridge Divisible			
651-2770642		H	FBRI 10-5 N	10 Position Fixed Bridge Divisible			
651-0203250		H	FBI 10-6	10 Position Fixed Bridge Divisible			
651-0203263		H	FBI 10-8	10 Position Fixed Bridge Divisible			
651-0203276		H	FBI 10-10	10 Position Fixed Bridge Divisible			
651-2772080		H	FBRI 10-8N	10 Position Fixed Bridge Divisible			
651-2303132		I	EBL 10-5	10 Pos. Insertion Bridge Divisible			
651-0201139		I	EB 10-6	10 Pos. Insertion Bridge Divisible			
651-020138		I	EB 10-8	10 Pos. Insertion Bridge Divisible			
651-0203137		I	EB 10-10	10 Pos. Insertion Bridge Divisible			
651-3118135		I	EBS 10-8	10 Pos. Insertion Bridge Divisible			
651-2715940		J	EB 80-DIK BU	80 Pos. Insertion Bdg. (Middle) Div.			
651-2715953		J	EB 80-DIK RD	80 Pos. Insertion Bdg. (Lower) Div.			
651-3009299		J	EB 56-18	56 Pos. Insertion Bridge Divisible			
651-0301505		K	ISSBI 10-6	10 Position Isolator Bridge Bar			
651-1302338		L	IS-K 4	Isolator for Bridge Bar			
651-0921011		M	ST-SI-UK4	Fuse Holder (5x20mm)			
651-0921037		M	ST-SILED 24 UK4	Fuse Holder 30V Lamp (5x20mm)			
651-0921053		M	ST-SILA 250-UK4	Fuse Holder 250V Lamp (5x20mm)			
651-1421659		N	E/MK 1	End Bracket For NS 15 DIN Rail			
651-0800886		N	E/NS 35 N	End Bracket For NS 35 DIN Rail			
651-1205037		O	SZS 0.4x2.5	Screwdriver-Insulated Blade Shaft			
651-1205053		O	SZS 0.6x3.5	Screwdriver-Insulated Blade Shaft			
651-1205066		O	SZS 1.0x4.0	Screwdriver-Insulated Blade Shaft			
651-5600525		P	EM-DUO 120/20	120 Outlet For NS 35 DIN Rail			
651-1204384		-	Quick Wire Fox 6	Wire Strippers, AWG 30-10			
651-2963860		-	SD-US/SC/LA/GY	Single Outlet, 125V, 15 A			

Terminal Blocks Phoenix Contact



MARKER STRIPS FOR DIN RAIL TERMINAL BLOCKS

For quantities greater than listed, call for quote.

MOUSER STOCK NO.		Fig.	Phoenix Type	Description	Use With Terminal Block	Price Each		
Mfr.	Mfr. Part No.					1	10	50
651-0803579		A	ZBFM 4/WH: UNPRINTED	Unprinted marker strip for up to 100 positions	MT 1.5, MTTB 1.5			
651-0800734		A	ZBFM 8/WH: UNPRINTED	Unprinted marker strip for up to 50 positions	UKK 5 HESI			
651-0800268		A	ZBFM 4/WH, LGS: 1-100	Preprinted marker strip from 1 to 100	MT 1.5, MTTB 1.5			
651-0805001		B	ZB 4: UNPRINTED	Unprinted marker strip for up to 10 positions	UK 1.5 N			
651-1050004		B	ZB 5: UNPRINTED	Unprinted marker strip for up to 10 positions	MBK 3/EZ, UK 2.5 N			
651-1051003		B	ZB 6: UNPRINTED	Unprinted marker strip for up to 10 positions	MBK 5/EZ, UK 5 N, UKK 5, SLKK 5, DIKD 1.5-TG, DIK 1.5, DIKD1.5, UK 4-TG, UDK 4-TG, UKK 5-TG, UT 4			
651-1052002		B	ZB 8: UNPRINTED	Unprinted marker strip for up to 10 positions	UK 6 N, UK 5 HESI, UK 5 HESILED 24, UK 5 HESILA 250			
651-1053001		B	ZB 10: UNPRINTED	Unprinted marker strip for up to 10 positions	UK 10 N, UK 6.3 HESI, UK 10.3 HESI, UK 6.3 HESILED 24, UK 6.3 HESILA 250			
651-0805807:0001		C	ZB 4: QR: 1-10	Preprinted marker strip from 1 to 10	UK 1.5 N			
651-1050017:0001		C	ZB 5, LGS: 1-10	Preprinted marker strip from 1 to 10	MBK 3/EZ, UK 2.5 N			
651-1051016:0001		C	ZB 6, LGS: 1-10	Preprinted marker strip from 1 to 10	MBK 5/EZ, UK 5 N, UKK 5, SLKK 5, DIKD 1.5-TG, DIK 1.5, DIKD1.5, UK 4-TG, UDK 4-TG, UKK 5-TG, UT 4			
651-1052015:0001		C	ZB 8, LGS: 1-10	Preprinted marker strip from 1 to 10	UK 6 N, UK 5 HESI, UK 5 HESILED 24, UK 5 HESILA 250			
651-1053014:0001		C	ZB 10, LGS: 1-10	Preprinted marker strip from 1 to 10	UK 10 N, UK 6.3 HESI, UK 10.3 HESI, UK 6.3 HESILED 24, UK 6.3 HESILA 250			
651-0805807:0011		D	ZB 4: QR: 11-20	Preprinted marker strip from 11 to 20	UK 1.5 N			
651-1050017:0011		D	ZB 5, LGS: 11-20	Preprinted marker strip from 11 to 20	MBK 3/EZ, UK 2.5 N			
651-1051016:0011		D	ZB 6, LGS: 11-20	Preprinted marker strip from 11 to 20	MBK 5/EZ, UK 5 N, UKK 5, SLKK 5, DIKD 1.5-TG, DIK 1.5, DIKD1.5, UK 4-TG, UDK 4-TG, UKK 5-TG, UT 4			
651-1052015:0011		D	ZB 8, LGS: 11-20	Preprinted marker strip from 11 to 20	UK 6 N, UK 5 HESI, UK 5 HESILED 24, UK 5 HESILA 250			
651-1053014:0011		D	ZB 10, LGS: 11-20	Preprinted marker strip from 11 to 20	UK 10 N, UK 6.3 HESI, UK 10.3 HESI, UK 6.3 HESILED 24, UK 6.3 HESILA 250			
651-1051993		-	IM-PEN	Black Marking Pen	(Use with all unprinted marking strips)			

TE Barrier Terminal Blocks



This product is RoHS compliant.



.325" PITCH, DUAL BARRIER, INTERLOCKING

Modular Interlocking design; Create terminal blocks up to 16 positions without losing centerline spacing

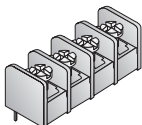
- #6-32 Screws on .325" Centers
- Single Row PCB Mount
- Wire Range 16-22AWG
- 15A UL Rating
- 300V UL Rating
- Housing: UL94V-0; Color: Black

For quantities greater than listed, call for quote.

MOUSER STOCK NO.	TE Part No.	No. of Positions	Length (in.)	Price Each			
				1	25	50	100
571-1977477-2	1977477-2	2	0.649				
571-1977477-3	1977477-3	3	0.974				

.325" PITCH, DUAL BARRIER, SINGLE ROW

- #6-32 screws on .325" centers
- UL94V-0
- Housing Material: Thermoplastic Polyamide
- Printed Circuit Pin
- 14-22AWG
- 20A rating
- Color: Black

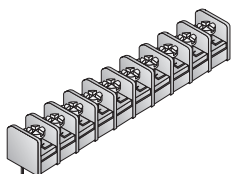


For quantities greater than listed, call for quote.

MOUSER STOCK NO.	TE Part No.	No. of Positions	Length (in.)	Price Each			
				1	25	50	100
Steel Binding Combo Head Screws							
571-14376676	1437667-6	2	.325				
571-114376670	1-1437667-0	4	.975				
571-114376672	1-1437667-2	6	1.625				
571-114376675	1-1437667-5	8	2.275				
571-114376679	1-1437667-9	12	3.575				
Steel Wire Clamp Combo Head Screws							
571-214376674	2-1437667-4	2	0.325				
571-214376675	2-1437667-5	3	0.650				
571-214376676	2-1437667-6	4	0.975				
571-214376678	2-1437667-8	5	1.300				
571-214376679	2-1437667-9	6	1.625				
571-314376671	3-1437667-1	8	2.275				
571-314376672	3-1437667-2	9	2.600				
571-314376673	3-1437667-3	10	2.925				

.375" PITCH, LOW PROFILE, DUAL BARRIER, SINGLE ROW

- Flat, all positions filled
- Housing Material: Thermoplastic Polyamide
- #6-32 screws on .375" centers
- UL94V-0
- Printed Circuit Pin
- 12-22AWG
- 20A rating
- Color: Black



For quantities greater than listed, call for quote.

MOUSER STOCK NO.	TE Part No.	No. of Positions	Length (in.)	Price Each			
				1	25	50	100
Steel Binding Combo Head Screws							
571-14376644	1437664-4	2	.815				
571-14376645	1437664-5	3	1.19				
571-14376646	1437664-6	4	1.565				
571-14376647	1437664-7	5	1.94				
571-14376649	1437664-9	6	2.315				
571-114376640	1-1437664-0	7	2.69				
571-114376641	1-1437664-1	8	3.065				
571-114376643	1-1437664-3	9	3.44				
571-114376644	1-1437664-4	10	3.82				
571-114376647	1-1437664-7	12	4.57				
Steel Clamp-Plate Combo Head Screws							
571-314376640	3-1437664-0	2	0.815				
571-314376641	3-1437664-1	3	1.190				
571-314376643	3-1437664-3	4	1.565				
571-314376645	3-1437664-5	5	1.940				
571-314376648	3-1437664-8	6	2.315				
571-414376640	4-1437664-0	7	2.690				
571-414376641	4-1437664-1	8	3.065				

DUAL BARRIER STRIPS, DOUBLE-ROW

Double row, dual barrier strips for wire-to-wire applications. These parts also allow end users to complete the wiring to a separate screw without disturbing the factory wiring. Closed bottom design allows for mounting direct to sheet metal panel.

Specifications:

- Insulator body: UL 94V-0 Thermoplastic, Black
- Terminal: Brass, Tin Plated
- Screw: #6-32 Steel, Nickel Plated
- Molded to Length

.374 Dual Barrier Strips, Double Row with Binding Head Screws

Electrical:

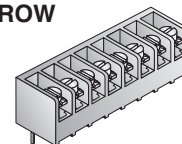
- Current rating: 20A, 300VAC
- Wire range: 12-22AWG
- Withstanding voltage: 2000VAC min.
- Temperature: -40°C to +105°C

For quantities greater than listed, call for quote.

MOUSER STOCK NO.	TE Part No.	No. of Positions	Length (in.)	Price Each			
				1	25	50	100
571-15463062	1546306-2	2	1.42				
571-15463063	1546306-3	3	1.80				
571-15463064	1546306-4	4	2.17				
571-15463065	1546306-5	5	2.55				
571-15463066	1546306-6	6	2.92				
571-15463067	1546306-7	7	3.30				
571-15463068	1546306-8	8	3.67				
571-115463060	1-1546306-0	10	4.41				
571-115463062	1-1546306-2	12	5.16				
571-115463064	1-1546306-4	14	5.91				
571-115463066	1-1546306-6	16	6.65				
571-215463060	2-1546306-0	20	8.15				

.250" PITCH, TRI-BARRIER, SINGLE ROW

- Housing Material: Polypropylene
- 10A rating
- 18-22AWG wire range
- UL94V-0
- #3-48 screws on .250" centers
- Printed Circuit Pin, Vertical
- Phil-slot Head
- Color: Black



For quantities greater than listed, call for quote.

MOUSER STOCK NO.	TE Part No.	No. of Positions	Length (in.)	Price Each			
				1	25	50	100
571-314376463	3-1437646-3	2	.57				
571-314376469	3-1437646-9	3	.82				
571-414376462	4-1437646-2	4	1.07				
571-414376465	4-1437646-5	5	1.32				
571-514376460	5-1437646-0	6	1.57				
571-514376464	5-1437646-4	7	1.82				
571-514376467	5-1437646-7	8	2.07				
571-514376469	5-1437646-9	9	2.32				
571-614376462	6-1437646-2	10	2.57				

.325" PITCH, TRI-BARRIER, SINGLE ROW

- 20A rating
- 14-22AWG
- Housing Material: Polyamide
- Color: Black
- #4-40 screws on .325" centers
- Printed Circuit Pin, Vertical
- UL94V-0
- Phil-Slot Head

For quantities greater than listed, call for quote.

MOUSER STOCK NO.	TE Part No.	No. of Positions	Length (in.)	Price Each			
				1	25	50	100
571-514376487	5-1437648-7	2	.705				
571-614376481	6-1437648-1	3	1.03				
571-614376487	6-1437648-7	4	1.35				
571-714376484	7-1437648-4	5	1.68				
571-814376480	8-1437648-0	6	2.00				
571-814376486	8-1437648-6	7	2.33				
571-914376481	9-1437648-1	8	2.65				
571-14376491	1437649-1	9	2.98				

.375" PITCH, TRI-BARRIER, SINGLE ROW

- UL94V-0
- 25A rating
- 12-22AWG
- Housing Material: Polypropylene
- #6-32 screws on .375" centers
- Printed Circuit Pin, Vertical
- Phil-slot head

For quantities greater than listed, call for quote.

MOUSER STOCK NO.	TE Part No.	No. of Positions	Length (in.)	Price Each			
				1	25	50	100
571-314376529	3-1437652-9	2	.815				
571-514376524	5-1437652-4	3	1.19				
571-614376527	6-1437652-7	4	1.56				
571-814376522	8-1437652-2	5	1.94				
571-914376525	9-1437652-5	6	2.31				
571-114376533	1-1437653-3	8	3.06				
571-214376535	2-1437653-5	9	3.44				
571-314376535	3-1437653-5	10	3.81				
571-514376531	5-1437653-1	12	4.56				
571-814376530	8-1437653-0	16	6.06				